



US00D918306S

(12) **United States Design Patent** (10) **Patent No.:** **US D918,306 S**
Horne (45) **Date of Patent:** **** May 4, 2021**

(54) **DEVICE FOR SCOOTER**

(71) Applicant: **Rimack Holdings Limited**, Hong Kong (HK)

(72) Inventor: **Michael Ronald Horne**, Chandler, AZ (US)

(73) Assignee: **Rimack Holdings Limited**, Hong Kong (HK)

(**) Term: **15 Years**

(21) Appl. No.: **29/710,841**

(22) Filed: **Oct. 25, 2019**

(51) **LOC (13) Cl.** **21-01**

(52) **U.S. Cl.**
USPC **D21/423**

(58) **Field of Classification Search**
USPC D21/419, 421, 423, 432, 435, 760, 763, D21/765, 771; D12/1, 110
CPC B62K 3/002; B62K 9/00; B62K 2202/00; B62K 15/00; B62K 2015/001; B62K 2015/003; B60Y 2200/126
See application file for complete search history.

(56) **References Cited**

U.S. PATENT DOCUMENTS

6,481,729	B2 *	11/2002	Herman	B62K 3/002
					280/87.041
6,481,913	B2 *	11/2002	Chen	B62K 3/002
					16/900
7,011,319	B2 *	3/2006	Lu	B62K 3/002
					280/87.041
D687,499	S *	8/2013	Horne	D21/423
D712,980	S *	9/2014	Lovley, II	D21/423
9,284,008	B2 *	3/2016	Wu	B62K 3/002
D779,594	S *	2/2017	Lovley, II	D21/423
9,862,449	B2 *	1/2018	Xu	B62K 15/006

(Continued)

Primary Examiner — Cynthia M. Chin

(74) *Attorney, Agent, or Firm* — Troutman Pepper Hamilton Sanders LLP

(57) **CLAIM**

I claim the ornamental design for a device for scooter, as shown and described.

DESCRIPTION

FIG. 1 is an environmental forward perspective view of a device for a scooter;

FIG. 2 is a forward plan view of the design shown in FIG. 1;

FIG. 3 is a rear plan view of the design shown in FIG. 1;

FIG. 4 is a left side view of the design shown in FIG. 1;

FIG. 5 is a right side view of the design shown in FIG. 1;

FIG. 6 is a top plan view of the design shown in FIG. 1;

FIG. 7 is a bottom plan view of the design shown in FIG. 1;

FIG. 8 is a forward perspective view of a device for a scooter;

FIG. 9 is a forward plan view of the design shown in FIG. 8;

FIG. 10 is a rear plan view of the design shown in FIG. 10;

FIG. 11 is a left side view of the design shown in FIG. 10;

FIG. 12 is a right side view of the design shown in FIG. 10;

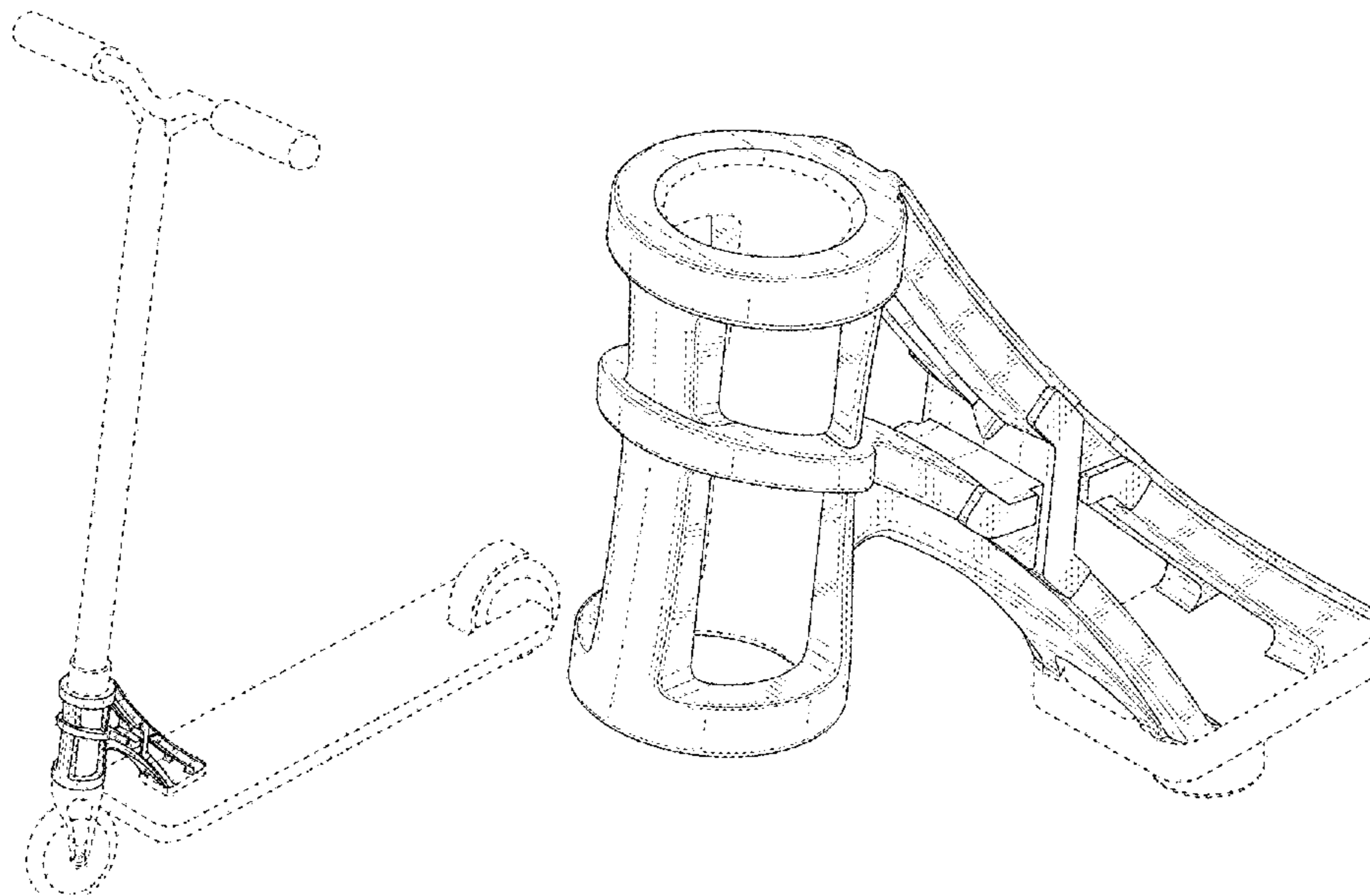
FIG. 13 is a top plan view of the design shown in FIG. 10;

and,

FIG. 14 is a bottom plan view of the design shown in FIG. 10.

The broken lines immediately adjacent the shaded areas represent the bounds of the claim. All other broken lines represent the environment in which the article resides and forms no part of the claimed design. None of the broken lines form a part of the claimed design. The shade lines shown represent surface shading and not surface ornamentation, color, or material type.

1 Claim, 14 Drawing Sheets



(56)

References Cited

U.S. PATENT DOCUMENTS

D831,123 S * 10/2018 Porteiro D21/423
D889,557 S * 7/2020 Cao D21/423

* cited by examiner

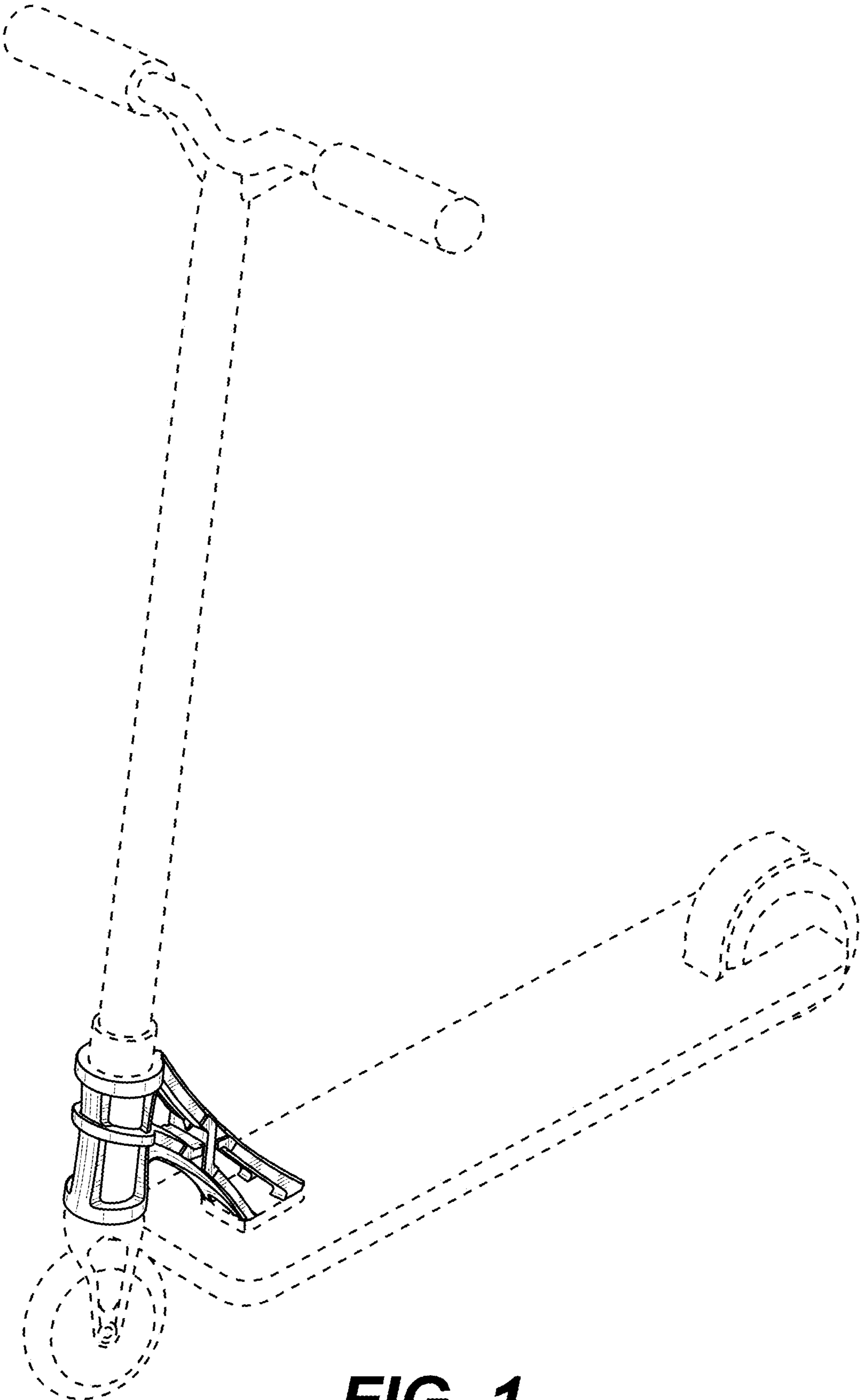


FIG. 1

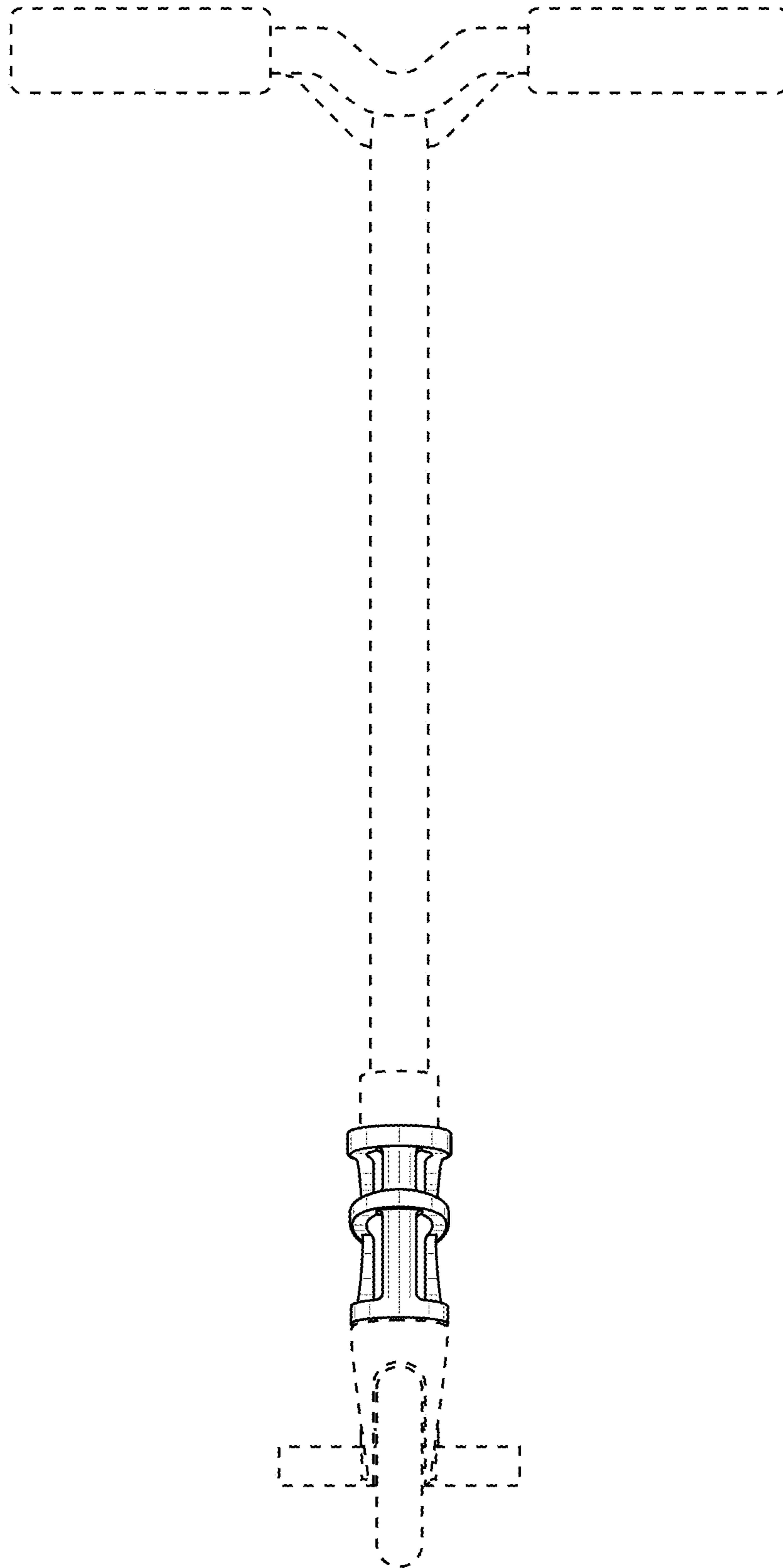


FIG. 2

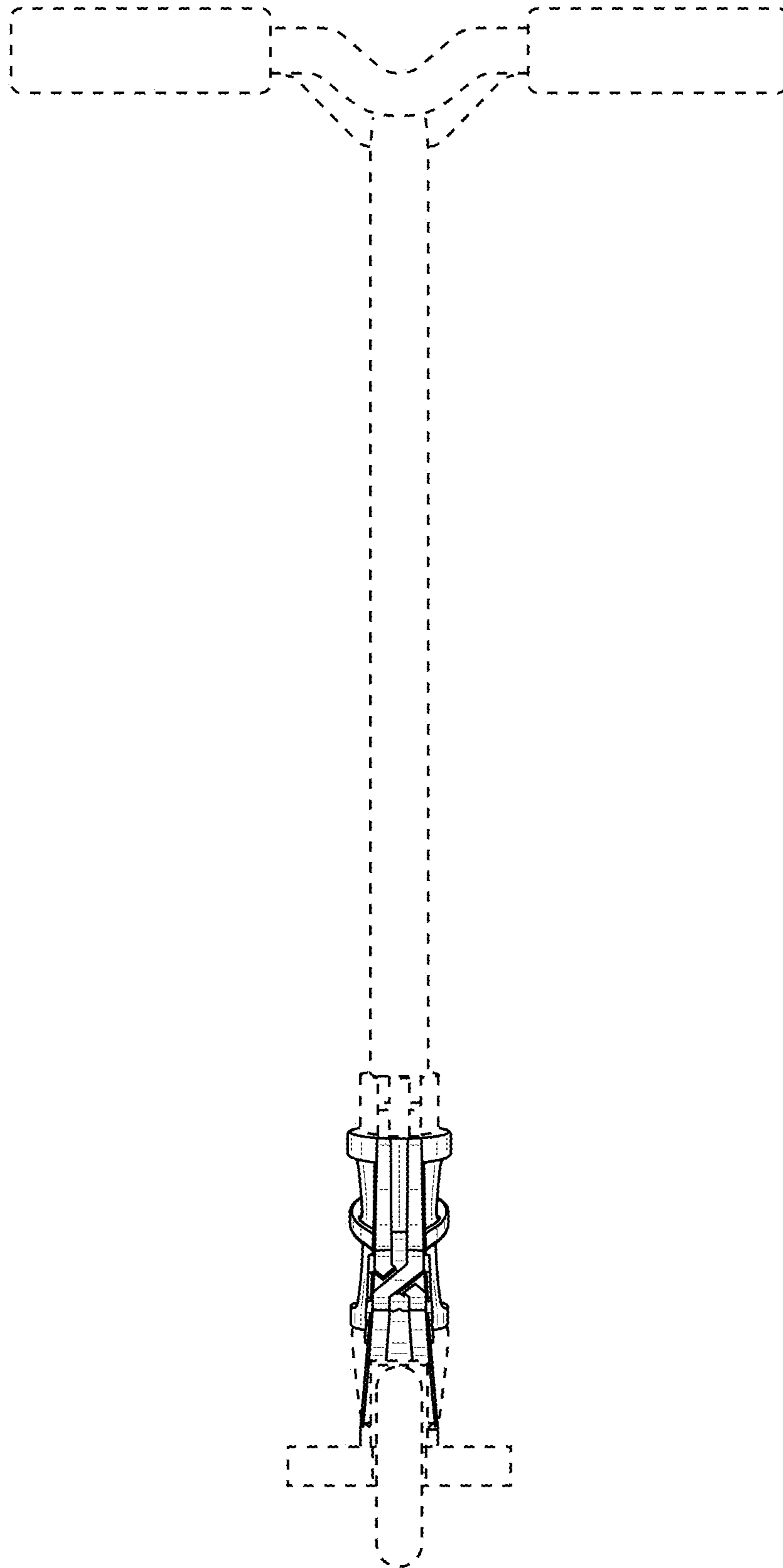


FIG. 3

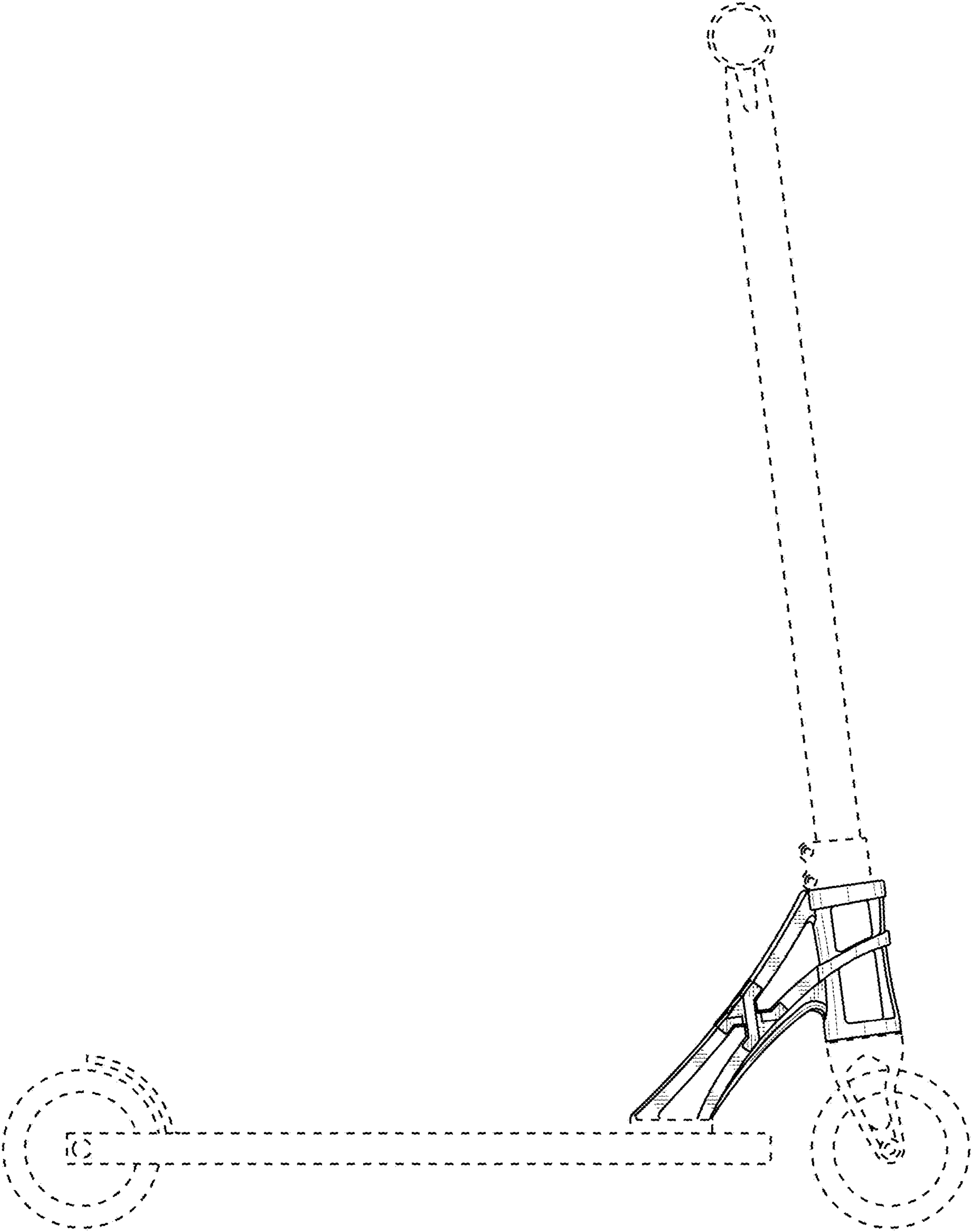


FIG. 4

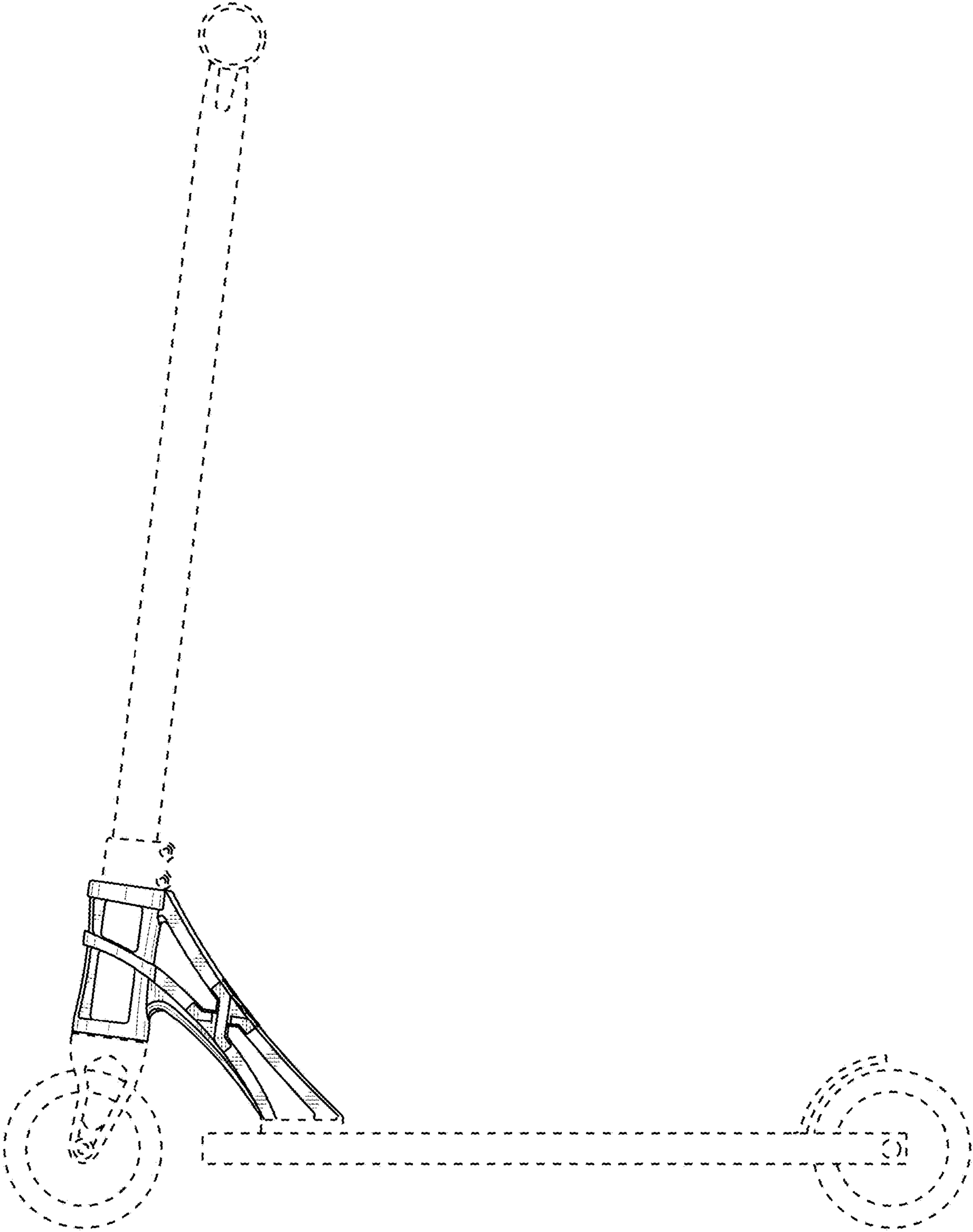


FIG. 5

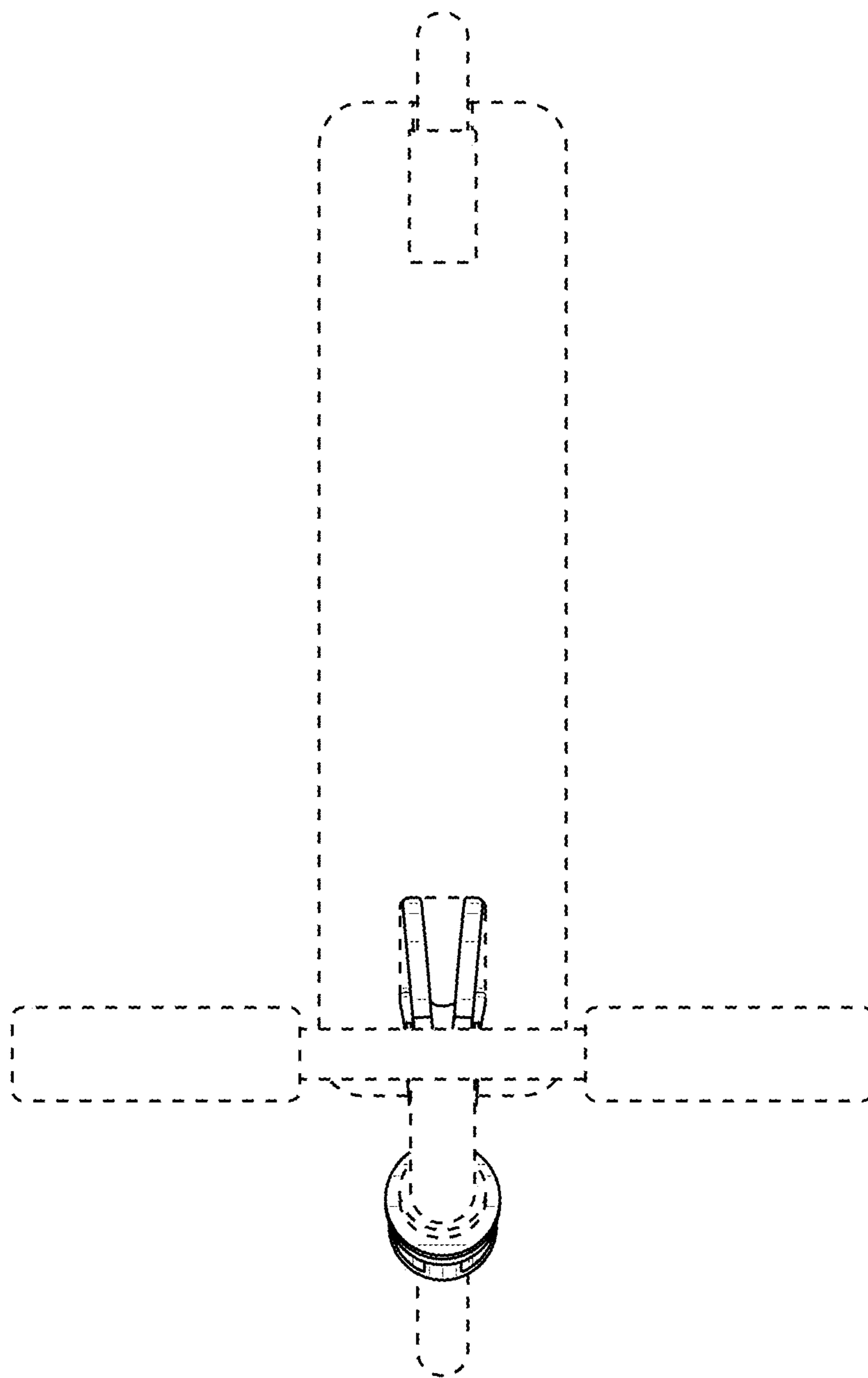


FIG. 6

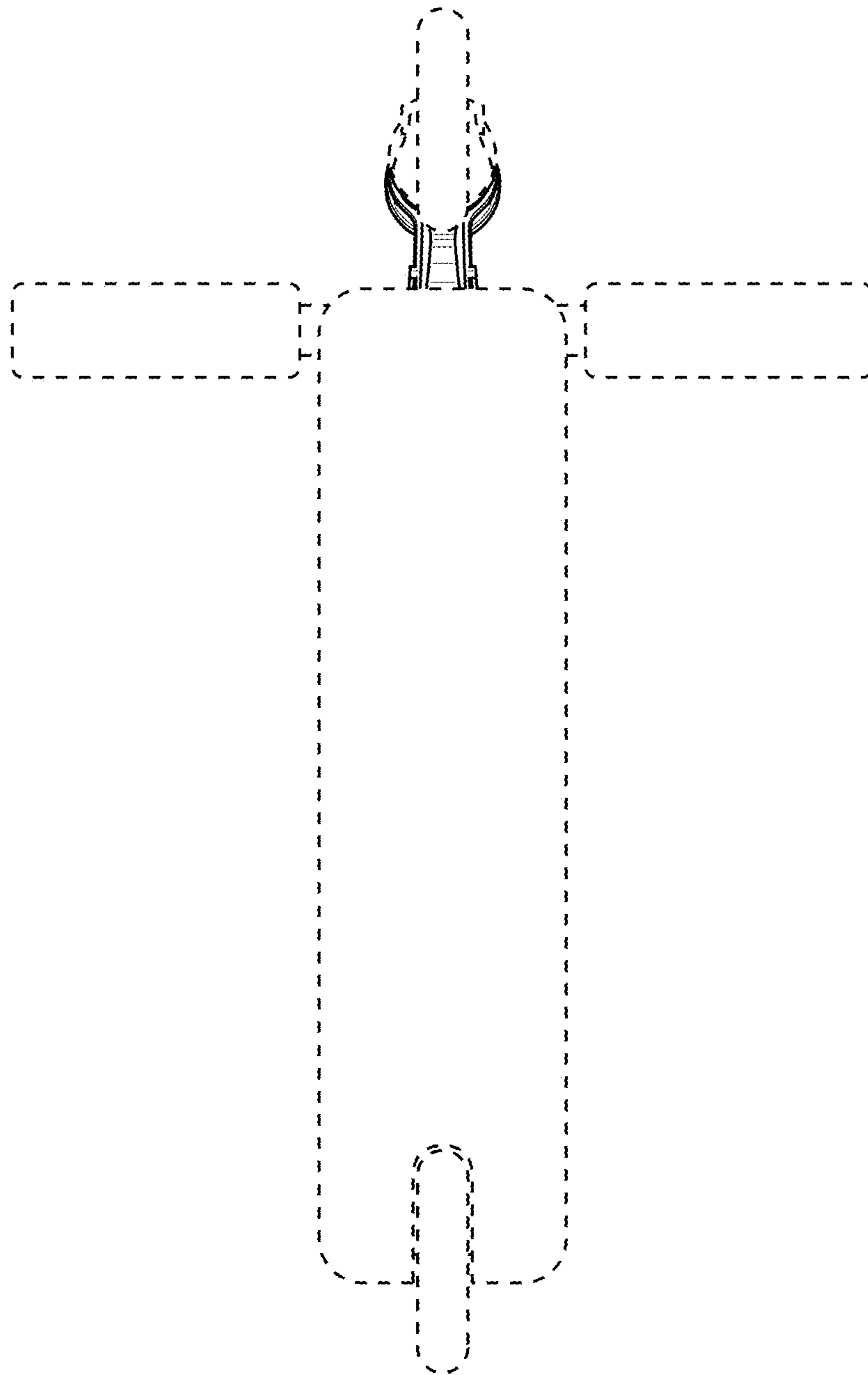


FIG. 7

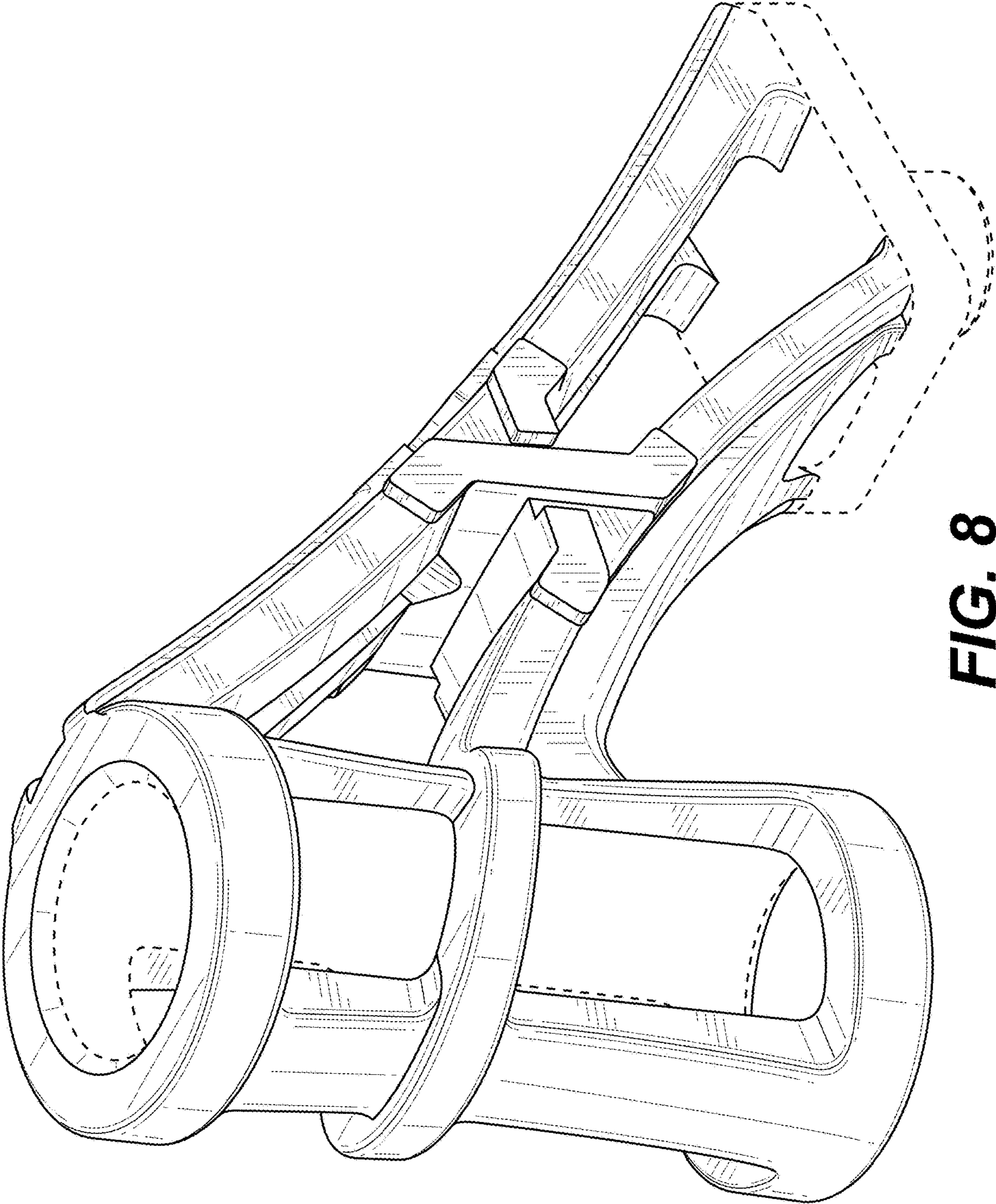


FIG. 8

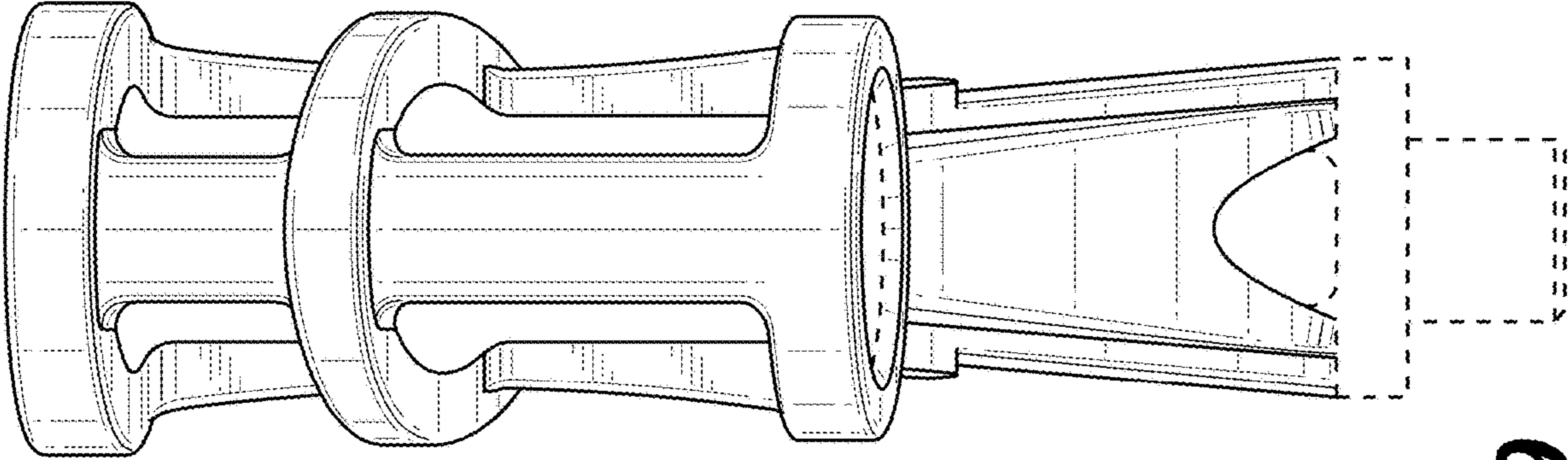


FIG. 9

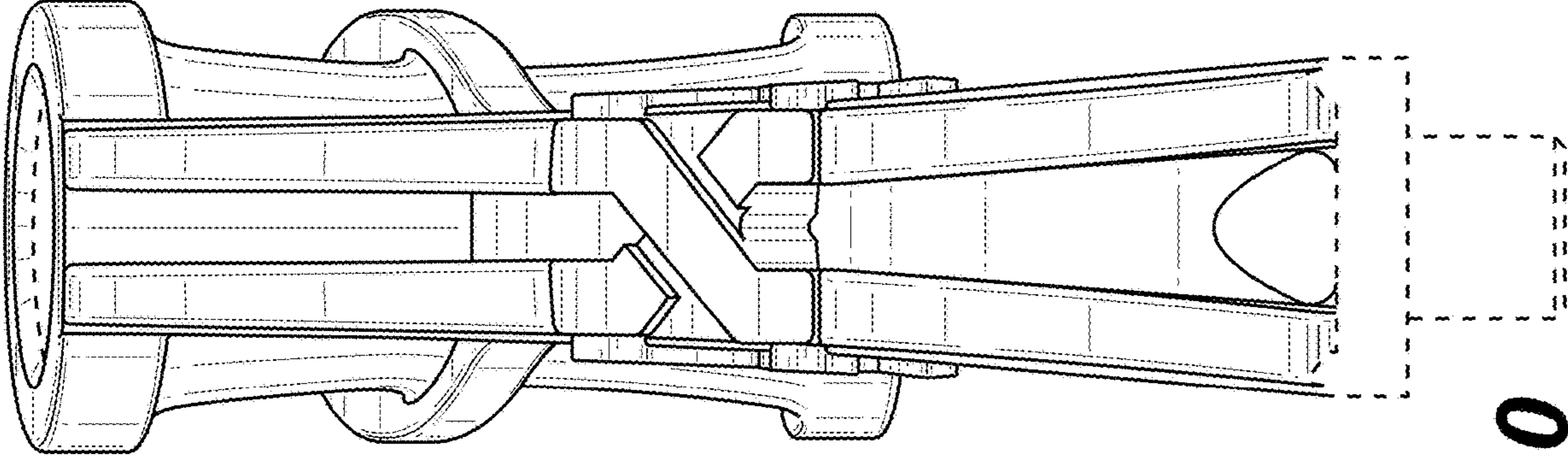


FIG. 10

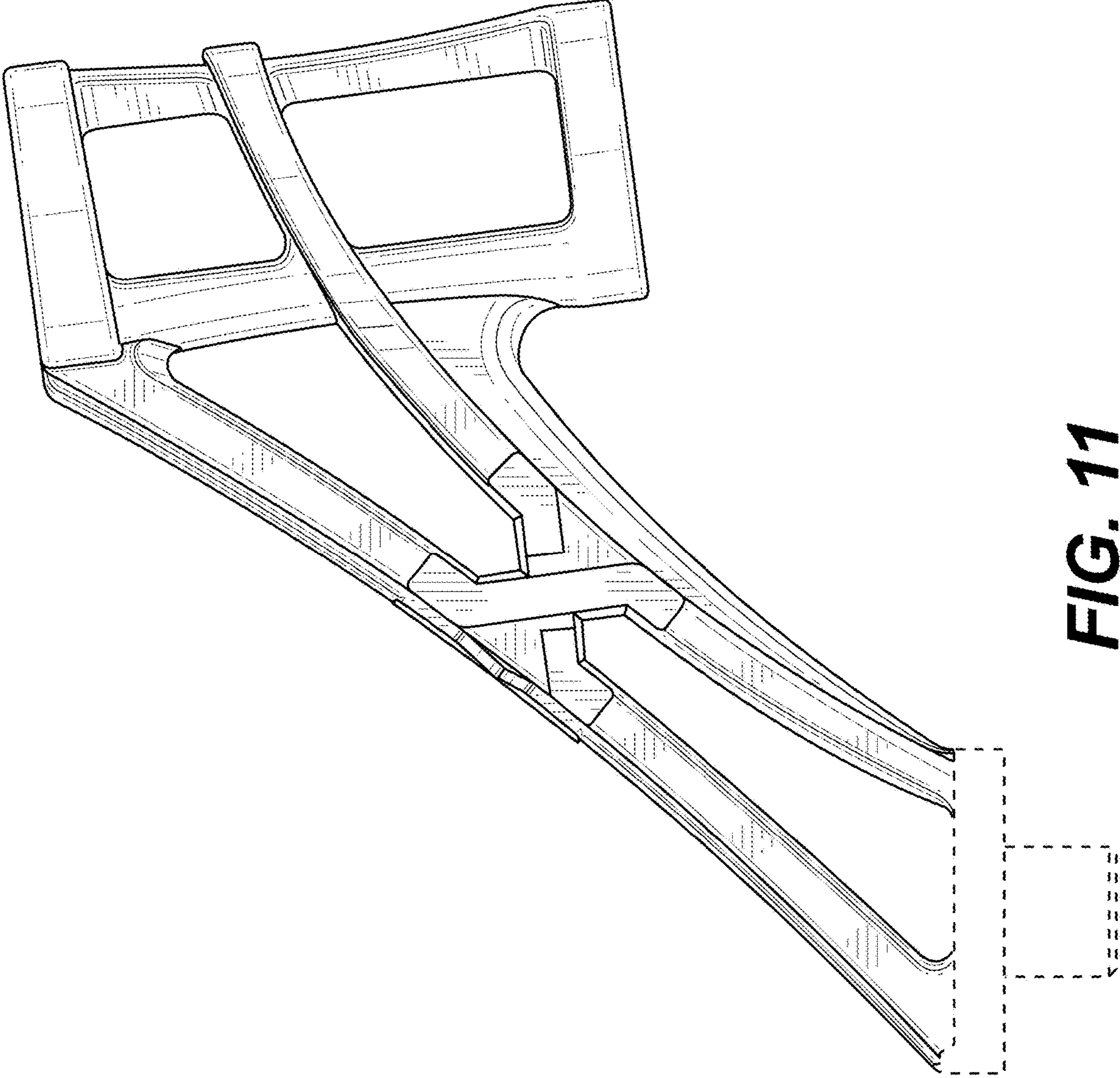


FIG. 11

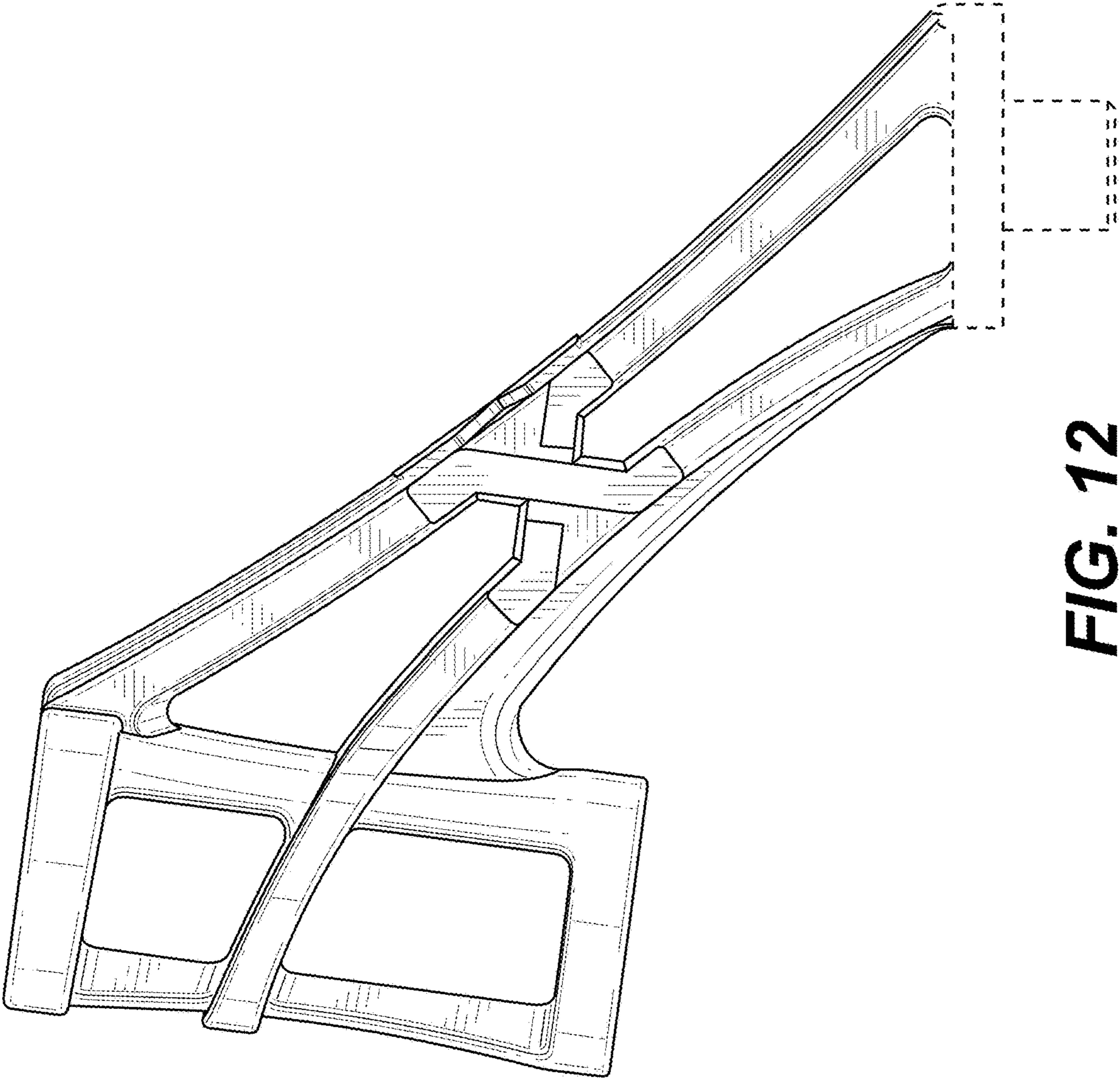


FIG. 12

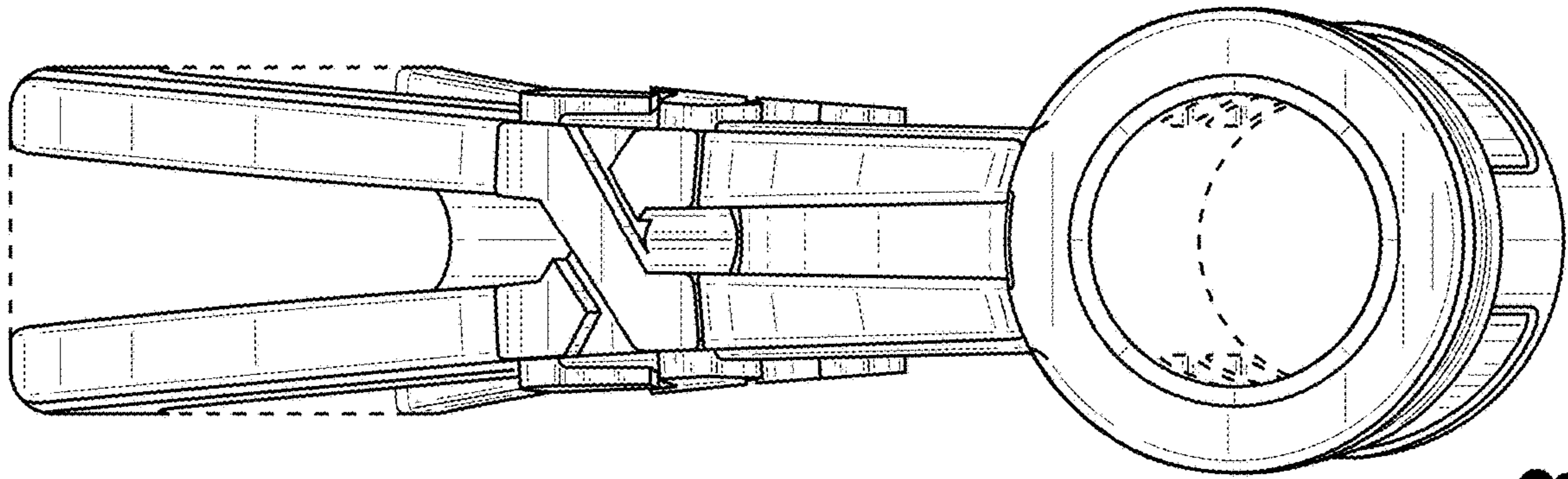


FIG. 13

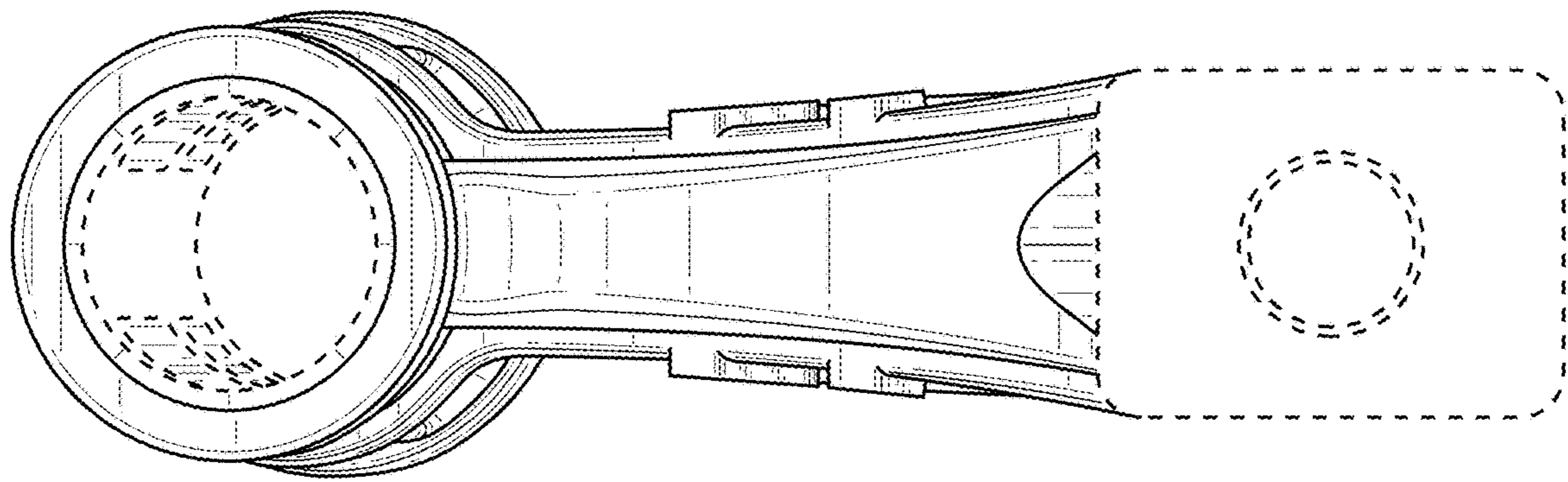


FIG. 14