



US00D918303S

(12) **United States Design Patent** (10) **Patent No.:** **US D918,303 S**
DeMarco et al. (45) **Date of Patent:** **** *May 4, 2021**

(54) **GAMING MACHINE**

(56)

References Cited

(71) Applicant: **ARISTOCRAT TECHNOLOGIES AUSTRALIA PTY LIMITED**, North Ryde (AU)

(72) Inventors: **Dominic J. DeMarco**, Round Rock, TX (US); **Bruce Edward Urban**, Las Vegas, NV (US); **James Franklin Stair**, Las Vegas, NV (US); **Ariel David Turgel**, San Francisco, CA (US); **Daniel Harden**, Palo Alto, CA (US); **Alexander Abele**, Aalen (DE)

(73) Assignee: **Aristocrat Technologies Australia Pty Ltd**, North Ryde (AU)

(*) Notice: This patent is subject to a terminal disclaimer.

(**) Term: **15 Years**

(21) Appl. No.: **29/684,810**

(22) Filed: **Mar. 25, 2019**

(51) **LOC (13) Cl.** **21-03**

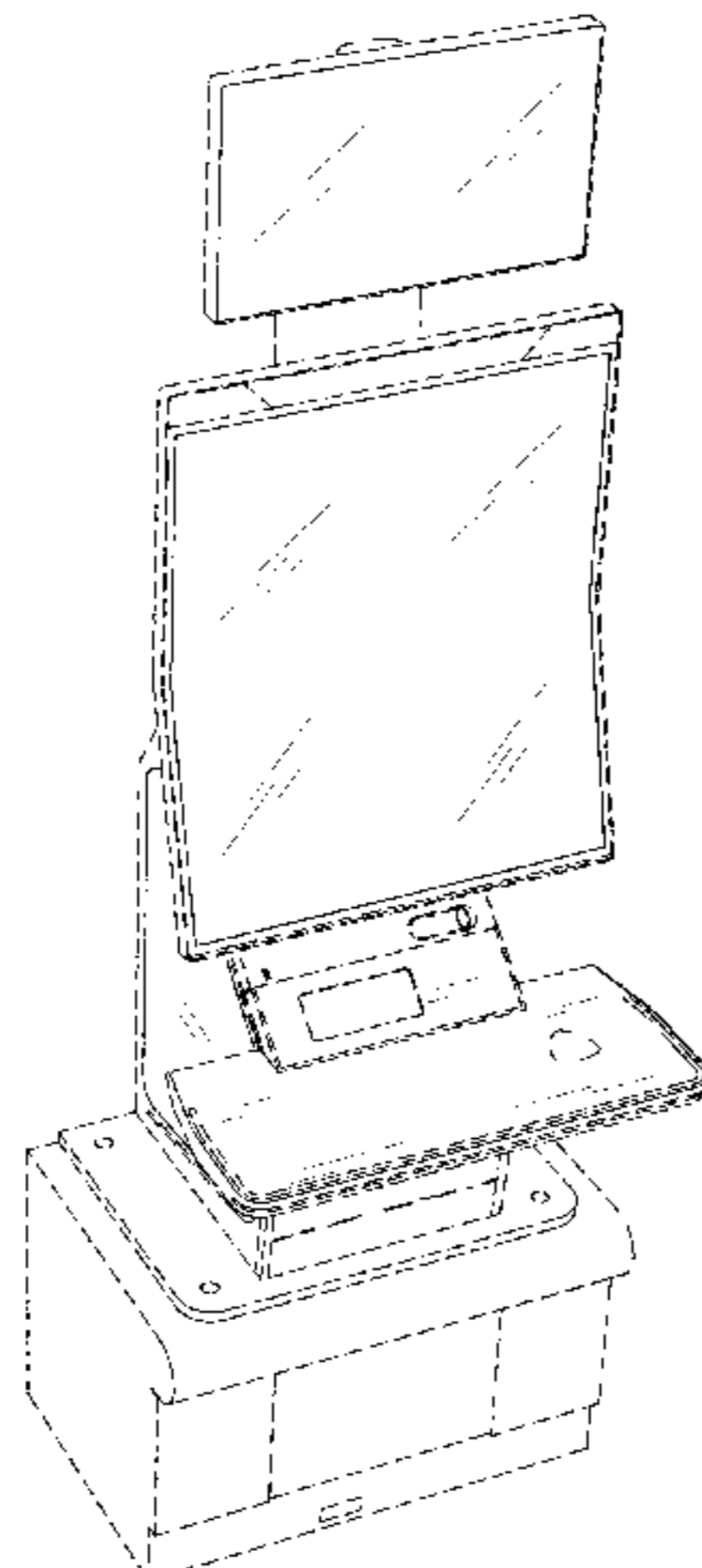
(52) **U.S. Cl.**
USPC **D21/369**

(58) **Field of Classification Search**
USPC D21/369, 370, 371, 385, 329, 325, 394; D14/307, 172, 129, 325, 401, 371, 126, D14/439, 432, 450, 128, 375, 248, 374, D14/341, 138 G, 127; 463/28, 13, 11, 463/16, 20, 25, 31, 46, 23, 30, 17, 36, 29, 463/42, 34, 32, 35, 19, 21, 22; 273/292, 273/203, 138.2, 143 R, 142 R, 138.1; D19/60; D16/226; D8/335, 331, 334; D26/141; D7/641
CPC G07F 17/32; G07F 17/34; G07F 17/3211; G07F 17/3244; G07F 17/3267

U.S. PATENT DOCUMENTS

| | | | |
|--------------|---------|-------------------------|---------|
| D415,124 S * | 10/1999 | Rooyakkers | D14/306 |
| D428,864 S * | 8/2000 | Rooyakkers | D14/306 |
| D464,377 S | 10/2002 | Wurz | |
| D479,243 S | 9/2003 | Ohashi | |
| D508,719 S * | 8/2005 | de Haas | D21/325 |
| D513,044 S * | 12/2005 | Morrison | D21/370 |
| 6,997,810 B2 | 2/2006 | Cole | |
| D531,677 S | 11/2006 | Mallory | |
| D546,893 S * | 7/2007 | Yamashita | D21/325 |
| D560,724 S | 1/2008 | Johnson | |
| D560,725 S | 1/2008 | Johnson | |
| D562,338 S | 2/2008 | Keohane | |
| D572,314 S | 7/2008 | Vallejo | |
| D579,456 S | 10/2008 | Chen | |
| D587,319 S | 2/2009 | Moises Deiab | |
| D599,858 S | 9/2009 | Lesley | |
| D599,859 S | 9/2009 | Lesley | |
| D604,773 S * | 11/2009 | De Viveiros Oritz | D21/325 |
| D612,432 S * | 3/2010 | De Viveiros Ortiz | D21/325 |
| D613,802 S | 4/2010 | Meyers | |
| D619,177 S * | 7/2010 | Lee | D21/325 |
| D622,781 S | 8/2010 | Lesley | |
| D626,182 S | 10/2010 | Cole | |
| D628,208 S | 11/2010 | Potemski | |
| D646,337 S | 10/2011 | Kelly | |
| D652,454 S | 1/2012 | Yopez | |
| D666,625 S | 9/2012 | Gilmore | |
| D668,261 S | 10/2012 | Arnold | |
| D673,620 S | 1/2013 | Johnson | |
| D673,621 S | 1/2013 | Johnson | |
| D677,736 S | 3/2013 | Dorn | |
| D678,956 S | 3/2013 | Lesley | |
| D679,722 S | 4/2013 | Ray | |
| D685,033 S | 6/2013 | Wudtke | |
| D689,899 S | 9/2013 | Lee | |
| D691,665 S | 10/2013 | Chudek | |
| D693,841 S | 11/2013 | Velasco | |
| D695,733 S * | 12/2013 | Damhuis | D14/307 |
| D697,558 S | 1/2014 | Myers | |
| D704,273 S | 5/2014 | Chudek | |
| D706,741 S | 6/2014 | Myers | |
| D707,646 S | 6/2014 | Kim | |
| D713,841 S | 9/2014 | Lim | |
| 8,832,598 B2 | 9/2014 | Hirata | |
| D719,616 S | 12/2014 | Inoue | |

See application file for complete search history.



US D918,303 S

D723,626 S 3/2015 Vasquez
D727,431 S 4/2015 Themann
D728,585 S 5/2015 Lee
D730,993 S 6/2015 Castro
D732,520 S 6/2015 Themann
D734,733 S 7/2015 Park
D736,171 S 8/2015 Lee
D740,887 S 10/2015 Randazzo
D740,888 S 10/2015 DePalma
D742,974 S 11/2015 Lesley
D749,342 S 2/2016 Escandon
D759,096 S 6/2016 Seo
D760,275 S 6/2016 Zhang
D765,136 S 8/2016 Lee
RE46,169 E 10/2016 Kelly
D772,240 S 11/2016 Edstrom
D772,273 S 11/2016 Spector
D773,512 S 12/2016 Miura
D780,852 S * 3/2017 Sharp D21/329
D785,664 S 5/2017 Yao
D790,563 S 6/2017 Lam
9,679,435 B2 * 6/2017 Schrementi G07F 17/3213
9,704,337 B2 7/2017 Riggs
D794,661 S 8/2017 Nishizawa
D794,664 S 8/2017 Okabe
D801,435 S * 10/2017 Themann D21/369
D803,323 S * 11/2017 Bussey D21/369
D803,324 S 11/2017 Bussey
D809,068 S * 1/2018 Ballman D21/369
D809,069 S * 1/2018 Ballman D21/369
D812,146 S 3/2018 Castro
D812,147 S 3/2018 Castro
D812,148 S 3/2018 Castro
D812,149 S 3/2018 Castro
D814,455 S 4/2018 Kwon
D816,079 S 4/2018 Yamazaki
D818,048 S 5/2018 Calhoun
D819,747 S 6/2018 Castro
D820,915 S 6/2018 Lee
D826,338 S 8/2018 Bussey
D832,356 S 10/2018 Castro
D833,534 S * 11/2018 Lee D21/369
D834,652 S 11/2018 Sigmund
10,127,761 B2 11/2018 Woels
10,181,236 B2 1/2019 Goldstein
D843,458 S 3/2019 Castro
D843,467 S 3/2019 Johnson
D843,468 S 3/2019 Johnson
D843,473 S 3/2019 Zedell, Jr.
D843,474 S 3/2019 Lesley
D843,475 S 3/2019 Lesley
D843,476 S 3/2019 Lesley
D843,477 S 3/2019 Lesley
D843,478 S 3/2019 Lesley
D843,479 S 3/2019 Castro
D843,480 S 3/2019 Castro
D843,482 S 3/2019 Holland
D844,062 S 3/2019 Lesley
D846,650 S 4/2019 Stair
D847,905 S 5/2019 Lewis
D849,149 S 5/2019 Bussey
D849,150 S 5/2019 Gallagher
D850,536 S 6/2019 Stair
D850,537 S 6/2019 Urban
D854,621 S 7/2019 Calhoun
D858,641 S 9/2019 Legras
D858,642 S 9/2019 Legras
D859,347 S 9/2019 Kwon
D862,602 S 10/2019 Kariya
D865,066 S * 10/2019 Ortiz De Viveiros D21/369
D865,873 S * 11/2019 Lewis D21/369
D866,666 S 11/2019 Ditton
D866,667 S 11/2019 Stair
D866,668 S 11/2019 Ditton
D868,165 S * 11/2019 Ortiz De Viveiros D21/369
D870,818 S * 12/2019 Curbun D21/369
D870,820 S 12/2019 Urban
D871,506 S 12/2019 Castro
D871,507 S 12/2019 Urban

D872,190 S * 1/2020 Zedell, Jr. D21/369
D875,091 S 2/2020 Kwon
10,580,252 B2 3/2020 Whelan
D880,605 S 4/2020 Bussey
D880,606 S 4/2020 Glenn, II
D880,608 S 4/2020 Glenn, II
D880,610 S 4/2020 Glenn, II
D880,611 S 4/2020 Glenn, II
D880,612 S 4/2020 Bernard
D880,613 S 4/2020 Bernard
D880,614 S 4/2020 Bernard
D880,615 S 4/2020 Bernard
D881,284 S 4/2020 Glenn
D881,285 S 4/2020 Glenn
D882,697 S 4/2020 Lesley
2013/0084948 A1 4/2013 Watkins
2014/0335934 A1 11/2014 Meyer
2015/0018070 A1 1/2015 Meyer
2015/0036073 A1 2/2015 Im
2016/0093143 A1 3/2016 Lamb
2016/0195938 A1 7/2016 Kim
2017/0039802 A1 2/2017 Prabhu
2017/0046906 A1 2/2017 Hilbert
2017/0092052 A1 3/2017 McKay
2017/0301177 A1 10/2017 Pawloski
2018/0075689 A1 3/2018 Castro
2018/0078847 A1 3/2018 Sorreta
2018/0078854 A1 3/2018 Achmueller
2018/0082523 A1 3/2018 Palermo
2019/0012874 A1 1/2019 Goldstein
2019/0046872 A1 2/2019 Glenn, II
2019/0096161 A1 3/2019 Barbour
2019/0096170 A1 * 3/2019 Lewis G07F 17/3216
2019/0096173 A1 * 3/2019 Brandau G07F 17/3216
2019/0102971 A1 * 4/2019 Schoonmaker F16M 11/06
2019/0102974 A1 4/2019 Bussey
2019/0102984 A1 4/2019 Gallagher
2019/0287337 A1 * 9/2019 Shiraishi G07F 17/34
2020/0111291 A1 * 4/2020 Pariseau G07F 17/34
2020/0111295 A1 * 4/2020 Glenn A63F 9/24
2020/0111296 A1 * 4/2020 Miura G07F 17/34
2020/0111297 A1 4/2020 Kazama
2020/0111328 A1 * 4/2020 Bland G07F 17/3213

OTHER PUBLICATIONS

Office Action dated Jun. 1, 2020 for U.S. Appl. No. 29/684,808 (pp. 1-9).
Office Action dated Jun. 1, 2020 for U.S. Appl. No. 29/684,812 (pp. 1-9).
Office Action dated Jun. 1, 2020 for U.S. Appl. No. 29/684,832 (pp. 1-9).
Office Action dated Jun. 1, 2020 for U.S. Appl. No. 29/684,836 (pp. 1-9).
Office Action dated Jun. 1, 2020 for U.S. Appl. No. 29/684,844 (pp. 1-9).
Office Action dated Jun. 1, 2020 for U.S. Appl. No. 29/684,849 (pp. 1-9).
Office Action dated Jun. 5, 2020 for U.S. Appl. No. 29/684,847 (pp. 1-9).
Office Action dated Jun. 12, 2020 for U.S. Appl. No. 29/684,814 (pp. 1-10).
Office Action dated Jun. 12, 2020 for U.S. Appl. No. 29/684,817 (pp. 1-11).
Office Action dated Jun. 12, 2020 for U.S. Appl. No. 29/684,838 (pp. 1-11).
Office Action dated Jun. 12, 2020 for U.S. Appl. No. 29/684,842 (pp. 1-11).
Office Action dated Jun. 12, 2020 for U.S. Appl. No. 29/684,883 (pp. 1-8).
Office Action dated Jun. 12, 2020 for U.S. Appl. No. 29/684,890 (pp. 1-9).
Office Action dated Jun. 12, 2020 for U.S. Appl. No. 29/684,891 (pp. 1-9).
Office Action dated Jun. 12, 2020 for U.S. Appl. No. 29/684,894 (pp. 1-10).

Office Action dated Jun. 12, 2020 for U.S. Appl. No. 29/684,899 (pp. 1-9).
Office Action dated Jun. 12, 2020 for U.S. Appl. No. 29/684,915 (pp. 1-10).
Office Action dated Jun. 12, 2020 for U.S. Appl. No. 29/684,922 (pp. 1-10).
Office Action dated Jun. 12, 2020 for U.S. Appl. No. 29/684,925 (pp. 1-10).
Office Action dated Jun. 12, 2020 for U.S. Appl. No. 29/684,929 (pp. 1-10).
Office Action dated Jun. 12, 2020 for U.S. Appl. No. 29/684,934 (pp. 1-10).
Office Action dated Jun. 12, 2020 for U.S. Appl. No. 29/684,936 (pp. 1-10).
Office Action dated Jun. 12, 2020 for U.S. Appl. No. 29/684,941 (pp. 1-12).
Office Action dated Jul. 10, 2020 for U.S. Appl. No. 29/684,900 (pp. 1-10).
Office Action dated Jul. 10, 2020 for U.S. Appl. No. 29/684,938 (pp. 1-13).
Notice of Allowance dated Aug. 5, 2020 for U.S. Appl. No. 29/678,496 (pp. 1-7).
Office Action dated Jun. 1, 2020 for U.S. Appl. No. 29/684,806 (pp. 1-9).
Office Action dated Jun. 1, 2020 for U.S. Appl. No. 29/684,807 (pp. 1-8).
Office Action dated Jun. 1, 2020 for U.S. Appl. No. 29/684,809 (pp. 1-7).
Office Action dated Jun. 1, 2020 for U.S. Appl. No. 29/684,811 (pp. 1-7).
Office Action dated Jun. 12, 2020 for U.S. Appl. No. 29/684,912 (pp. 1-10).
Corrected Notice of Allowability dated Aug. 17, 2020 for U.S. Appl. No. 29/678,496 (pp. 1-4).

* cited by examiner

Primary Examiner — Ryan Harvey
(74) *Attorney, Agent, or Firm* — Armstrong Teasdale LLP
(57) **CLAIM**

We claim the ornamental design for a gaming machine, as shown and described.

DESCRIPTION

FIG. 1 is a front perspective view of a gaming machine showing our new design;

FIG. 2 is a front view of the gaming machine shown in FIG. 1;
FIG. 3 is a back view of the gaming machine shown in FIG. 1;
FIG. 4 is a right side view of the gaming machine shown in FIG. 1;
FIG. 5 is a left side view of the gaming machine shown in FIG. 1;
FIG. 6 is a top view of the gaming machine shown in FIG. 1;
FIG. 7 is a bottom view of the gaming machine shown in FIG. 1;
FIG. 8 is a front perspective view of a gaming machine showing an alternative embodiment of our new design;
FIG. 9 is a front view of the gaming machine shown in FIG. 8;
FIG. 10 is a front perspective view of a gaming machine showing a further embodiment of our new design;
FIG. 11 is a front view of the gaming machine shown in FIG. 10;
FIG. 12 is a back view of the gaming machine shown in FIG. 10;
FIG. 13 is a right side view of the gaming machine shown in FIG. 10;
FIG. 14 is a left side view of the gaming machine shown in FIG. 10;
FIG. 15 is a top view of the gaming machine shown in FIG. 10;
FIG. 16 is a bottom view of the gaming machine shown in FIG. 10;
FIG. 17 is a front perspective view of a gaming machine showing another alternative embodiment of our new design; and,
FIG. 18 is a front view of the gaming machine shown in FIG. 17.
The broken line showing of portions of the gaming machine depicts environment and forms no part of the claimed design.

1 Claim, 18 Drawing Sheets

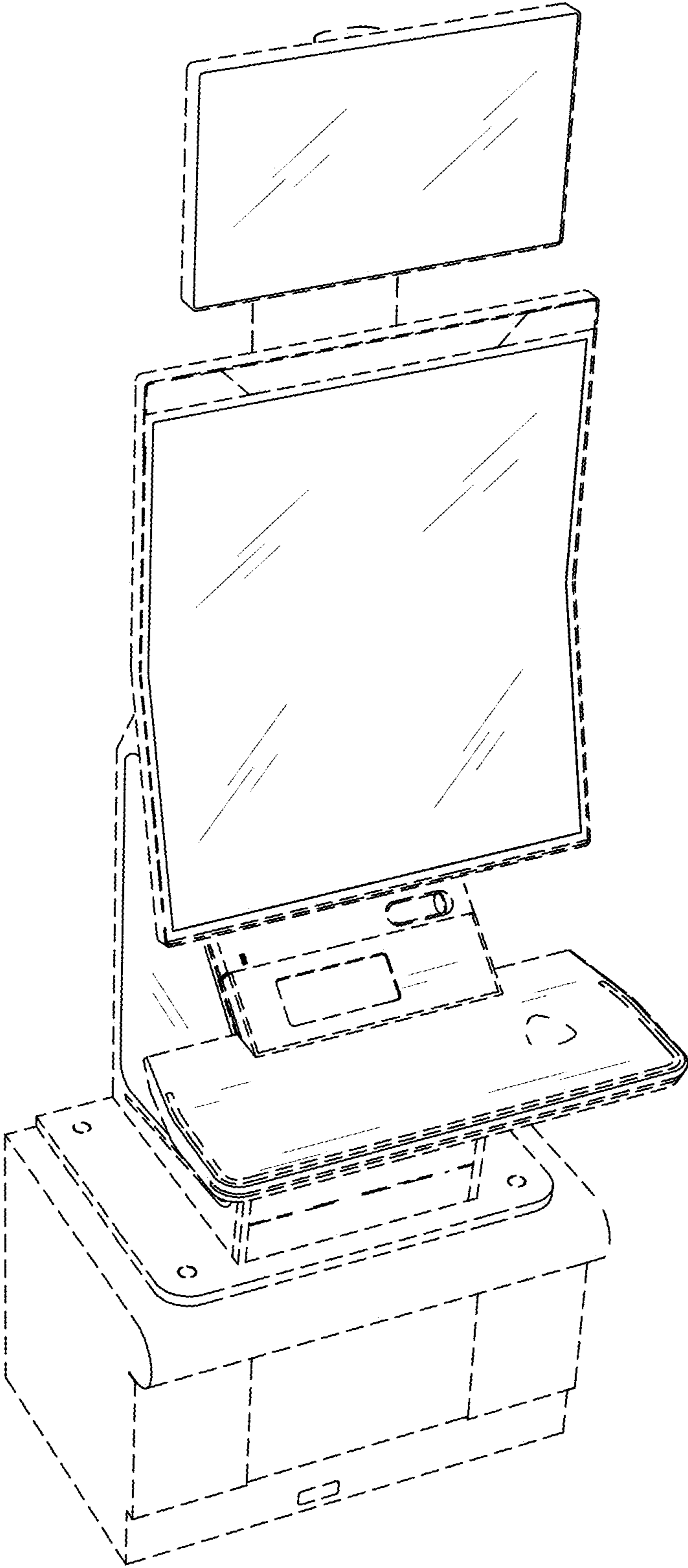


FIG. 1

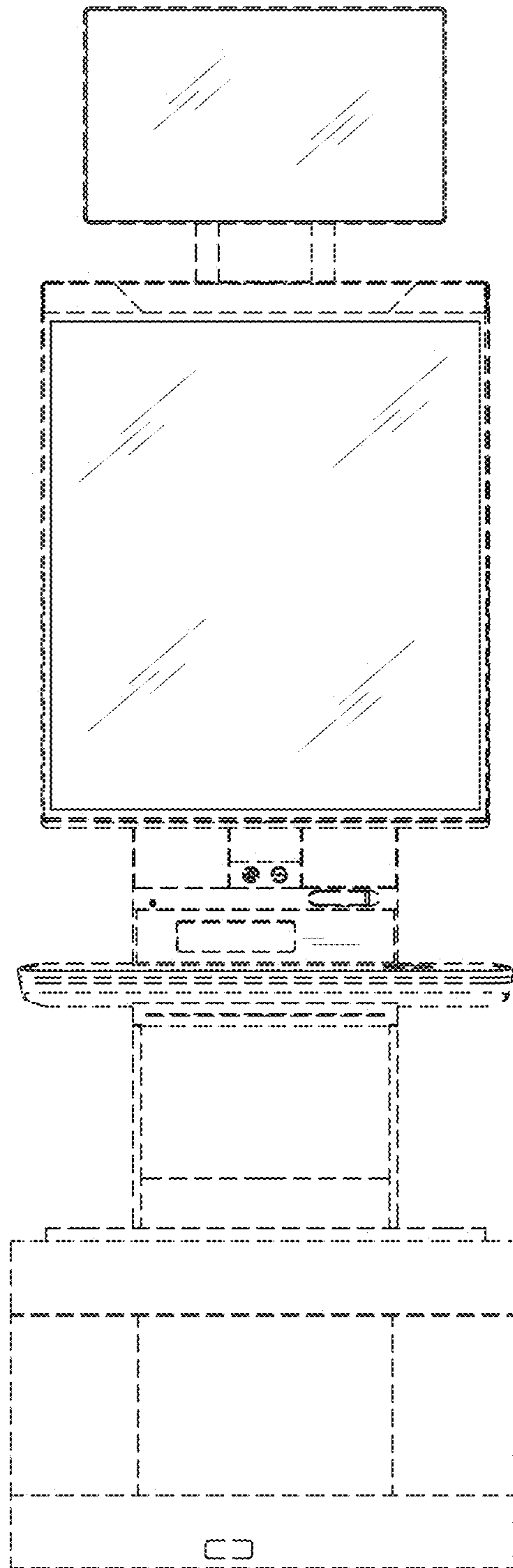


FIG. 2

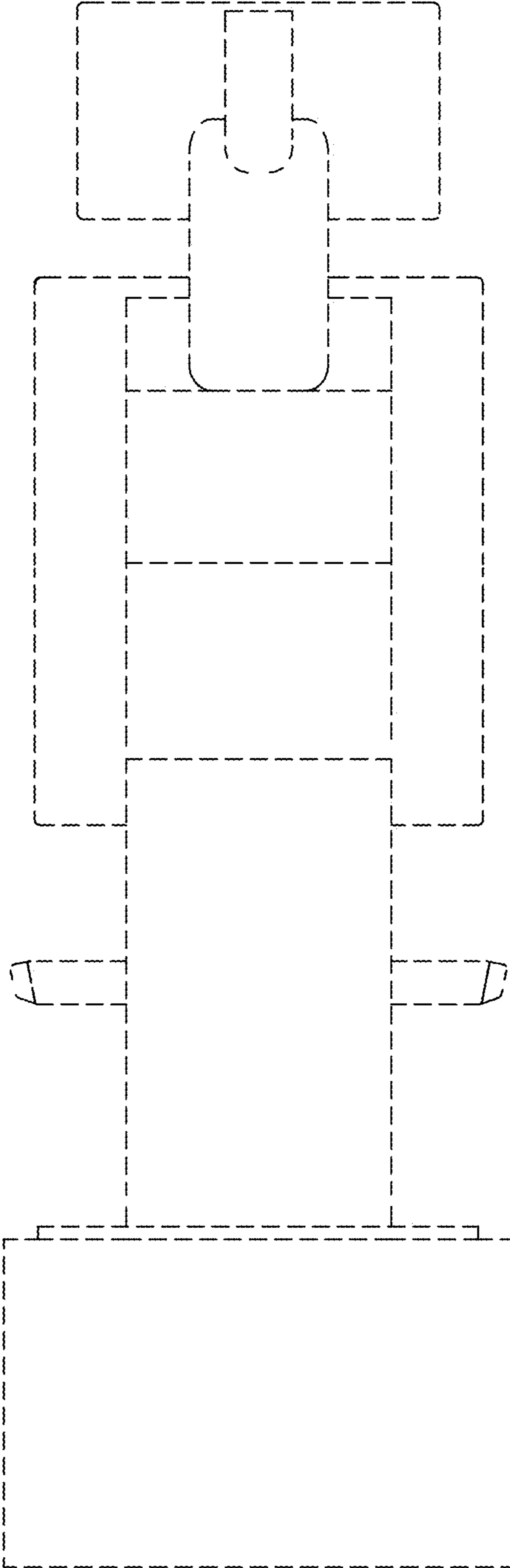


FIG. 3

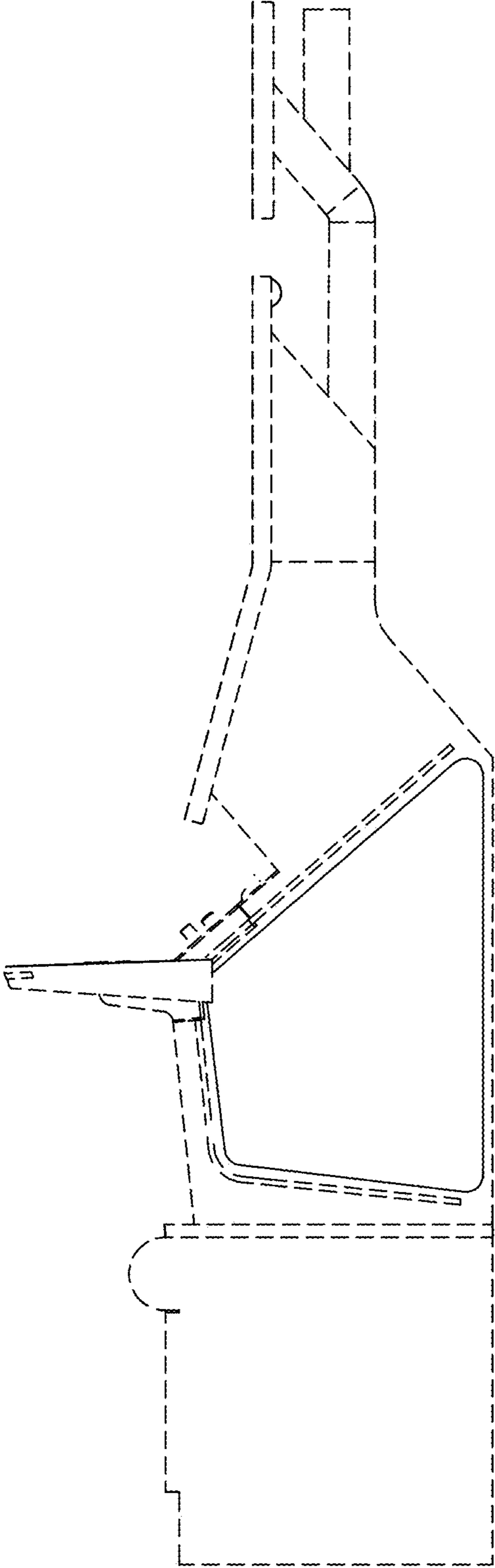


FIG. 4

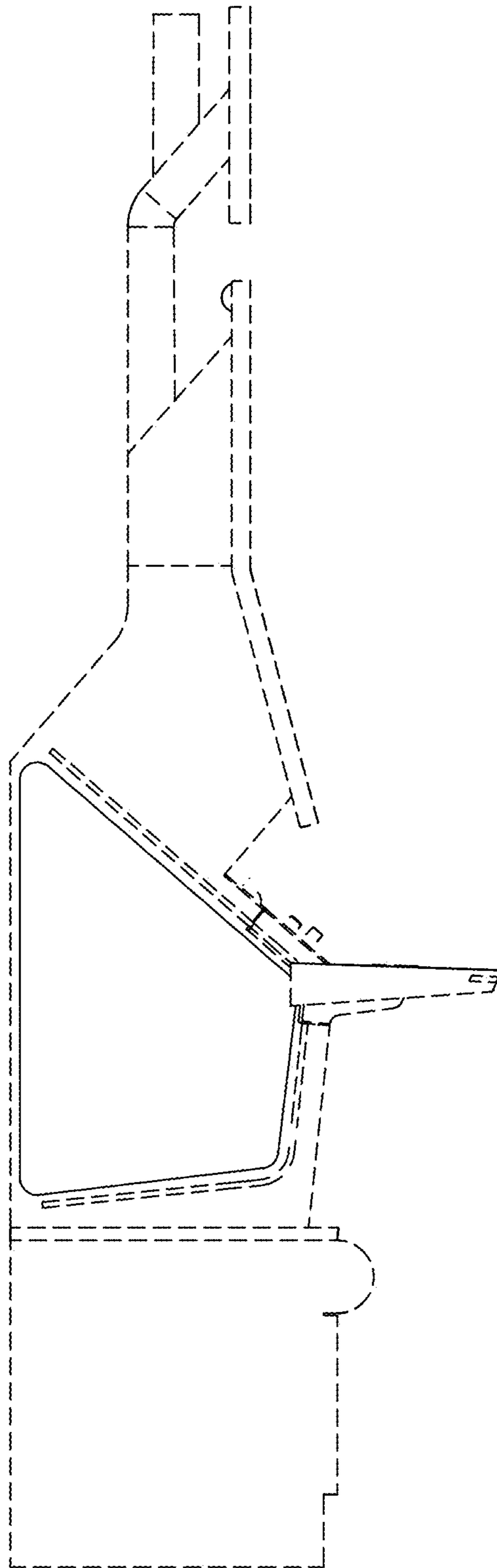


FIG. 5

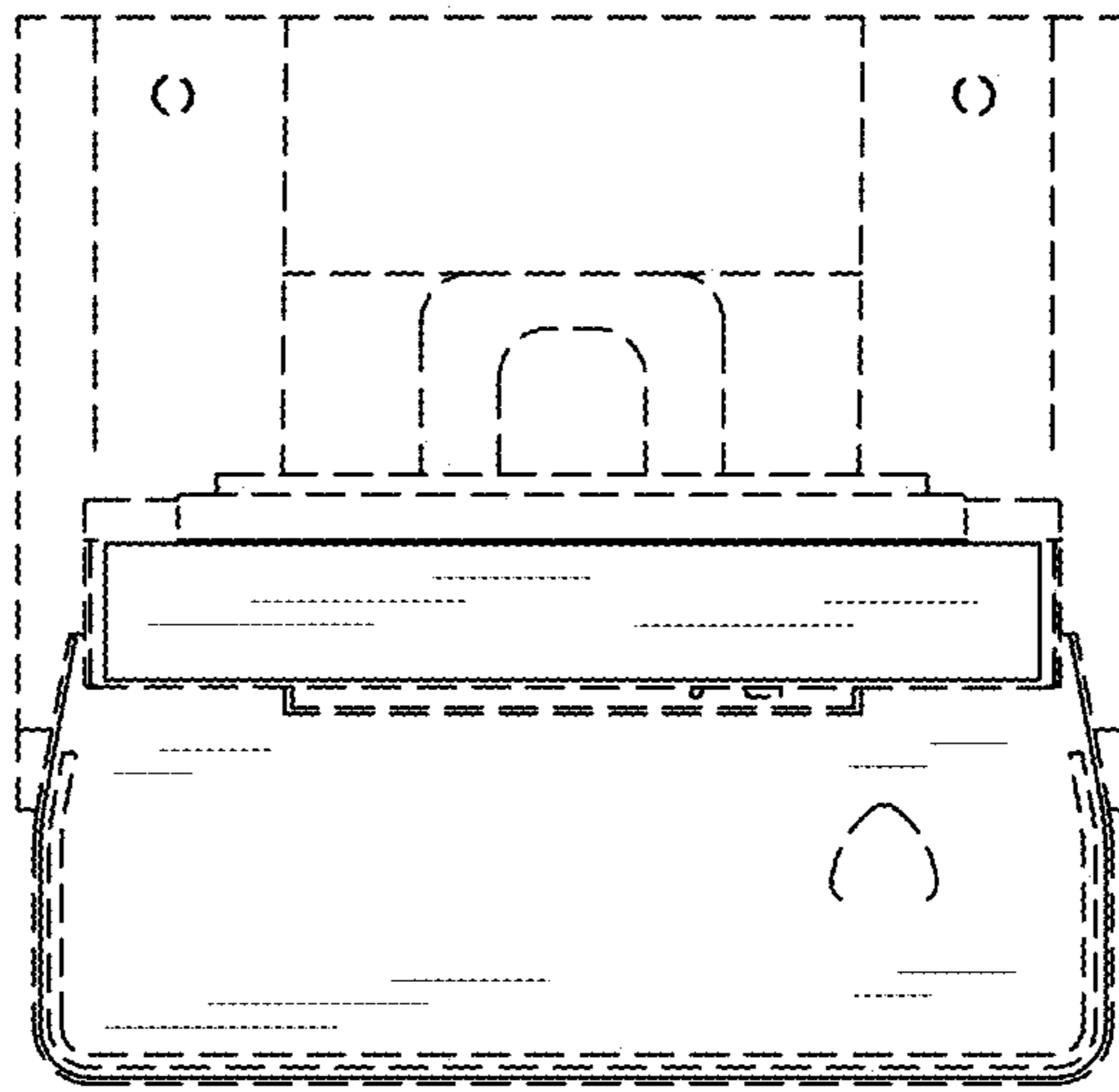


FIG. 6

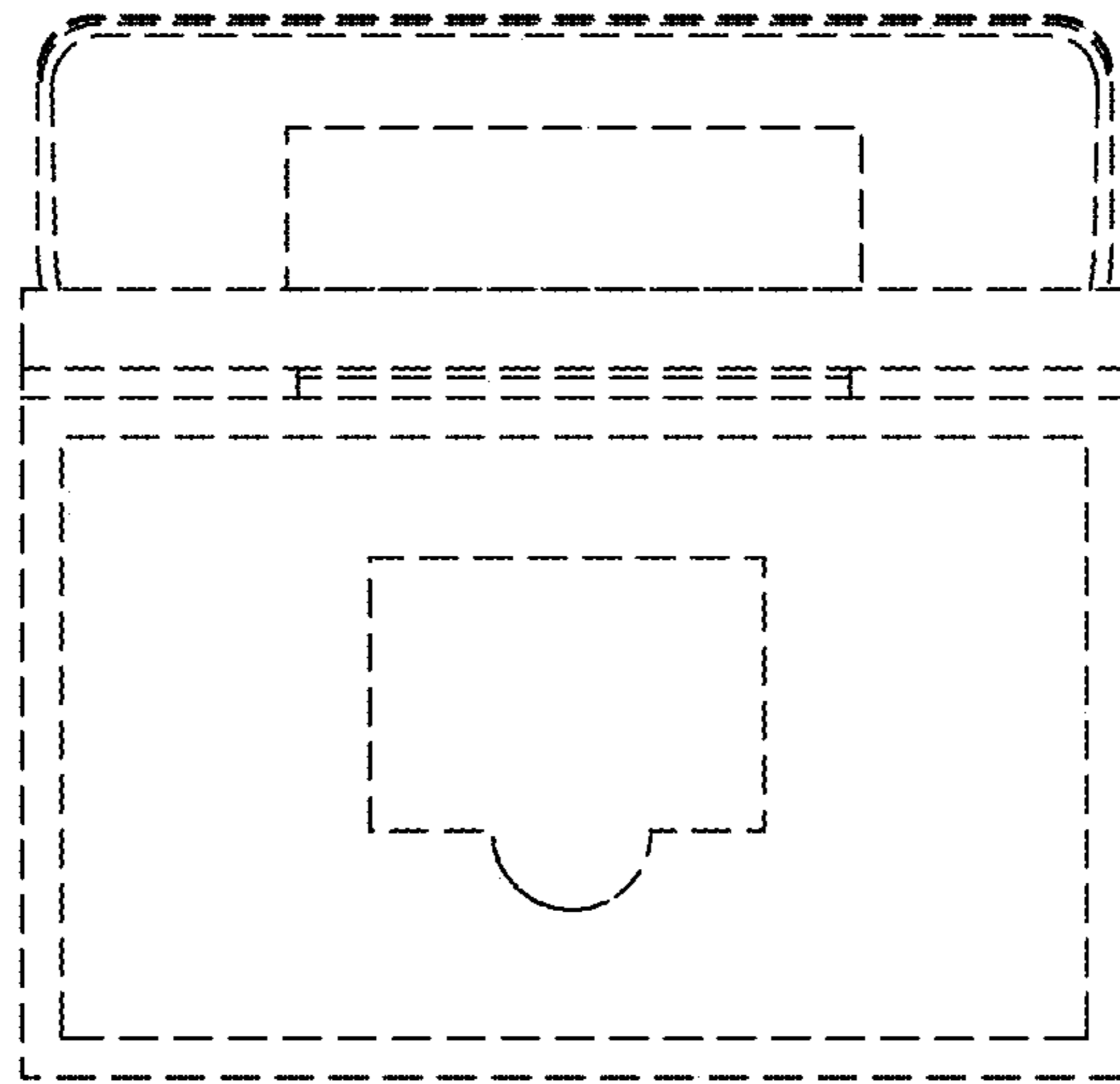


FIG. 7

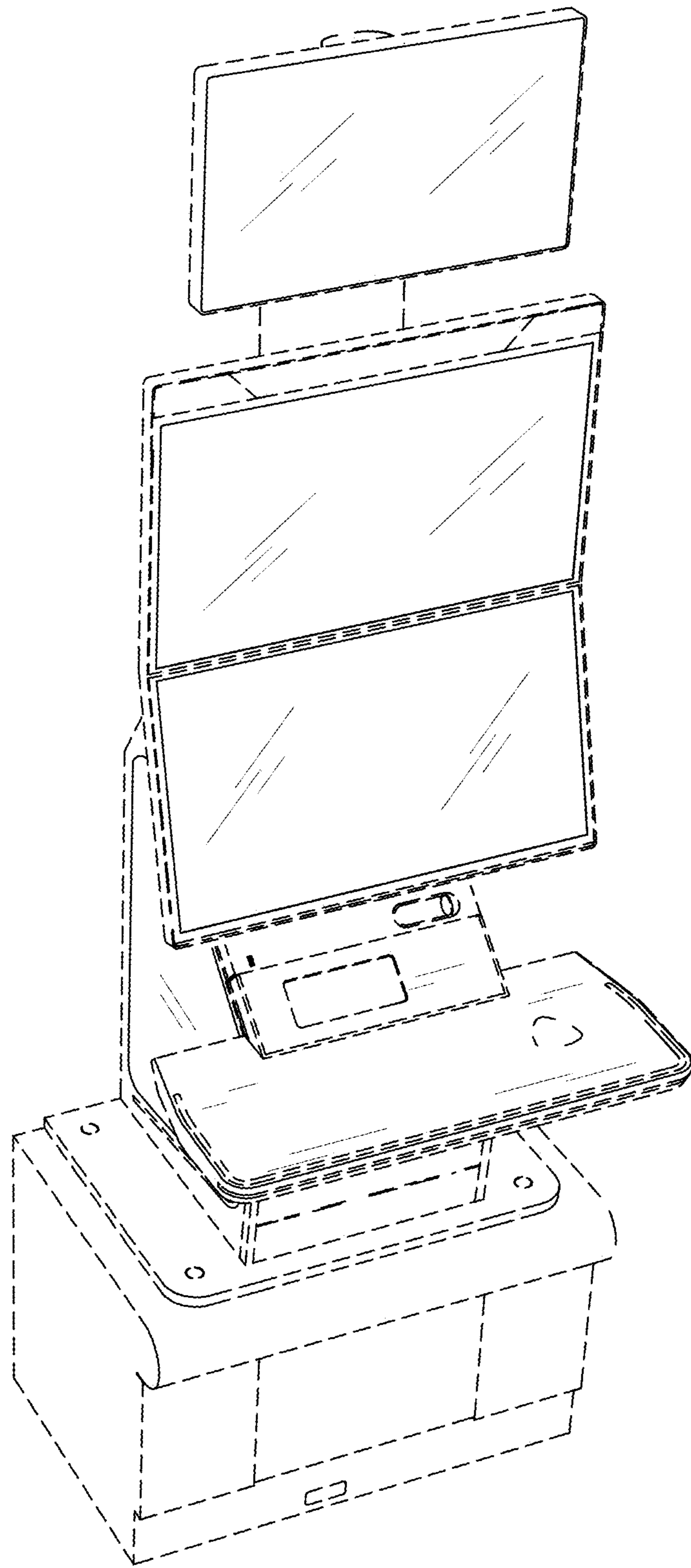


FIG. 8

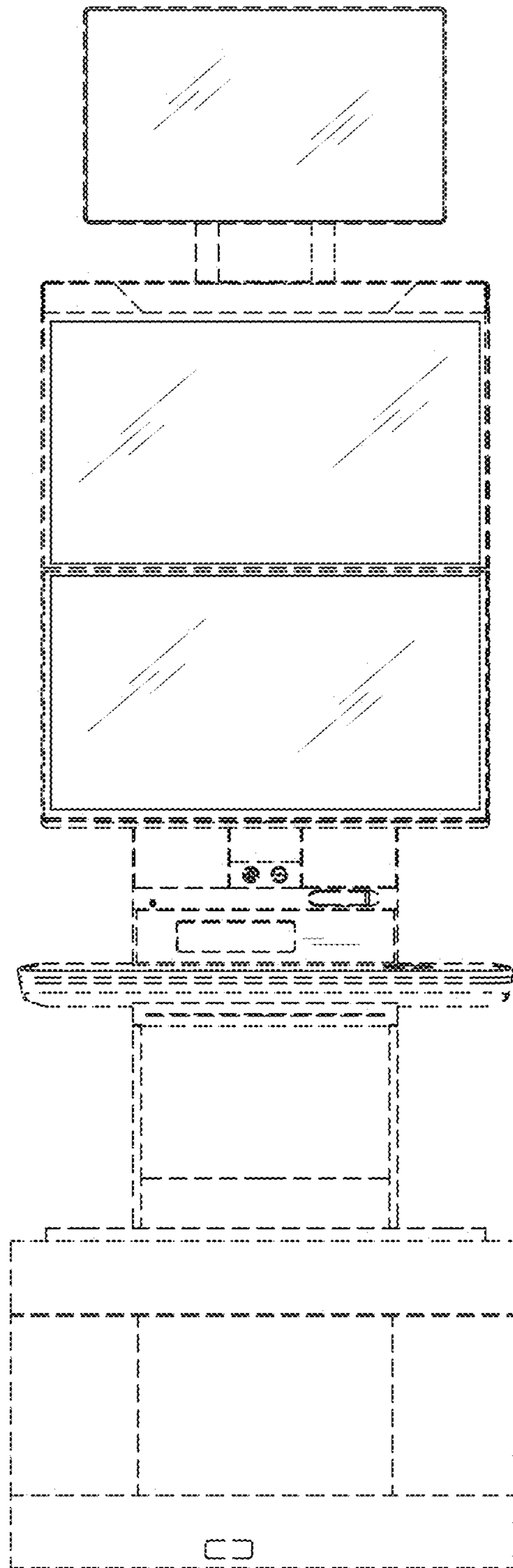


FIG. 9

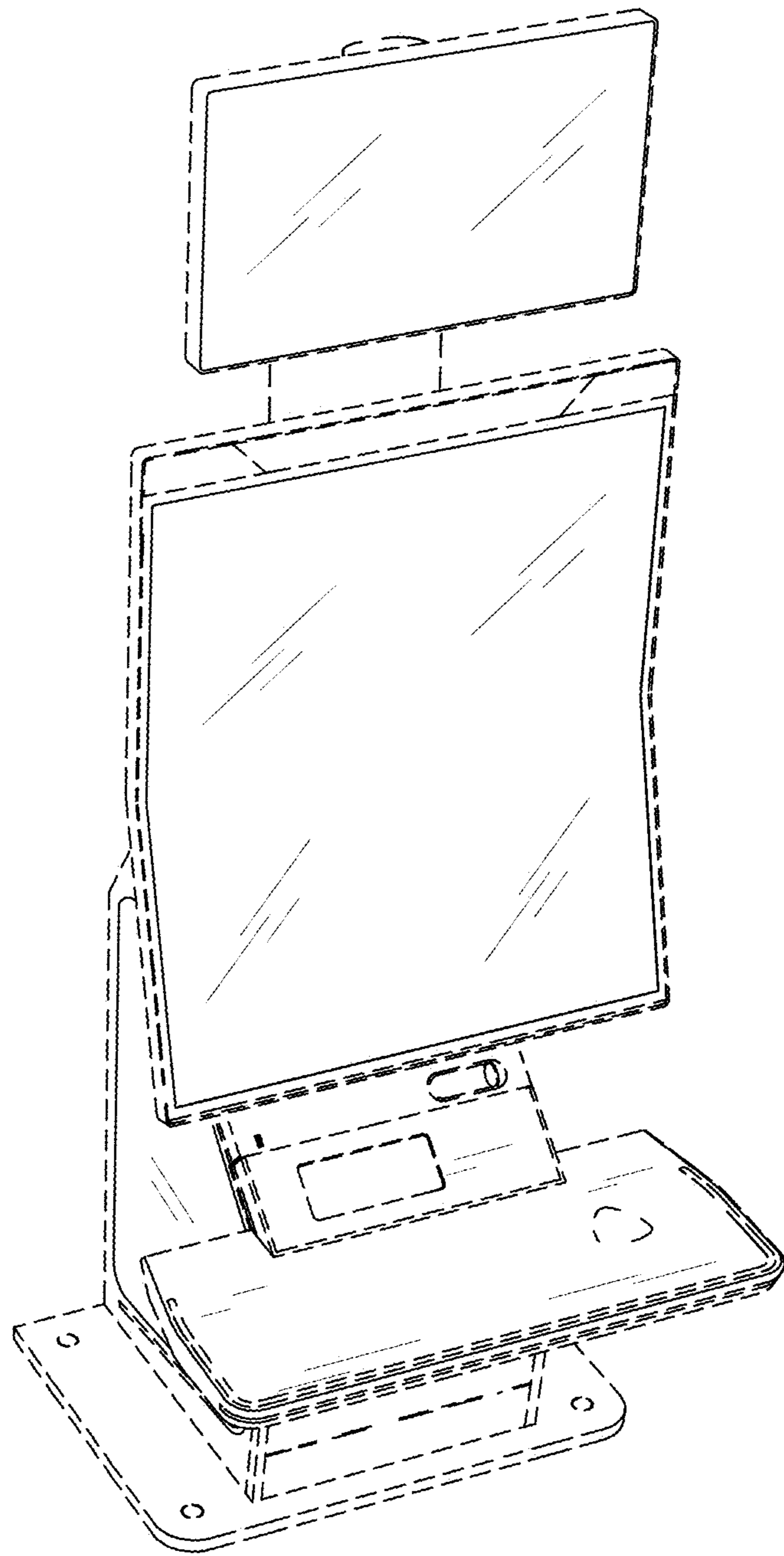


FIG. 10

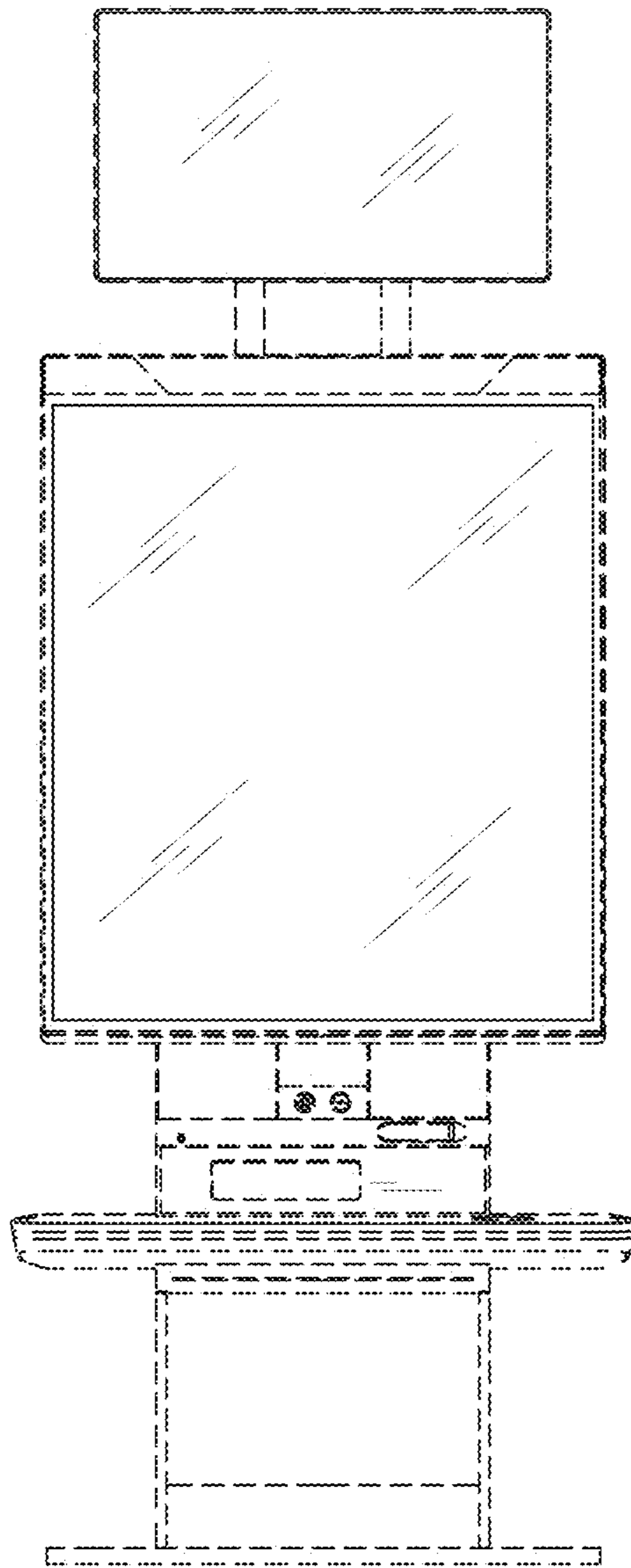


FIG. 11

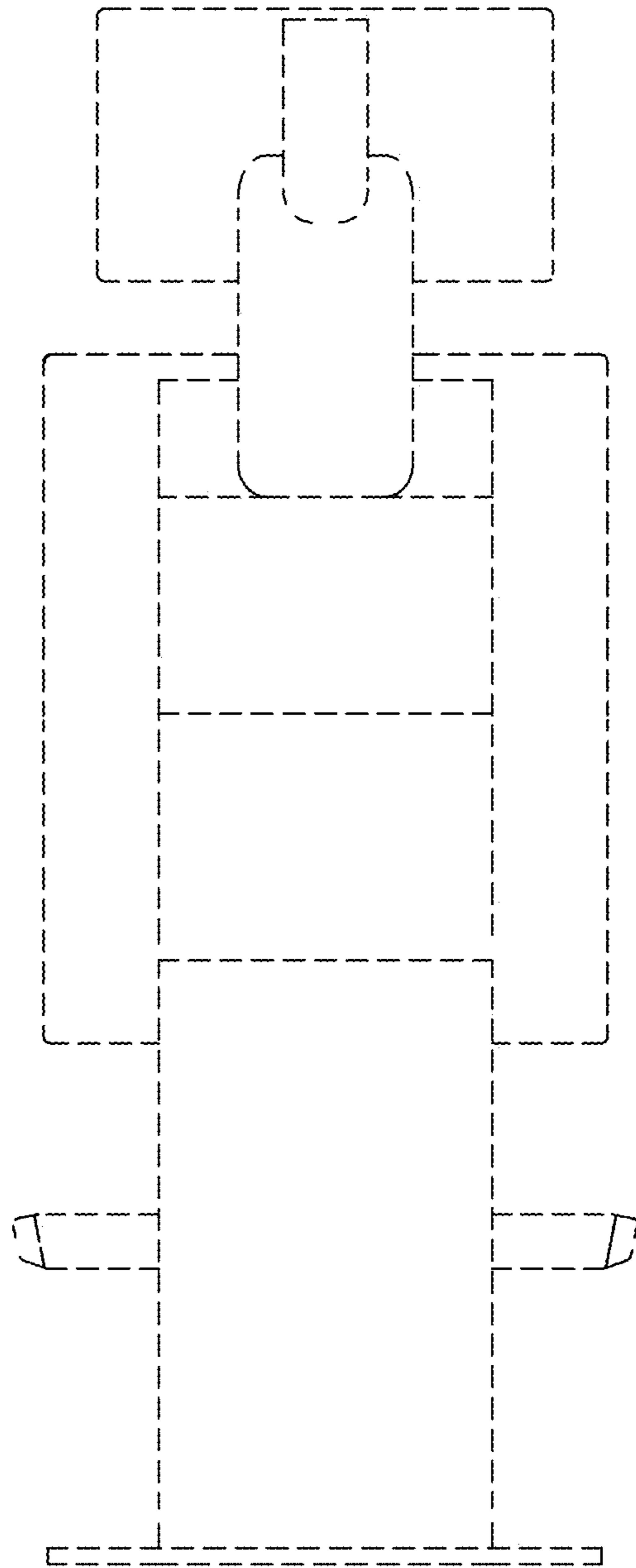


FIG. 12

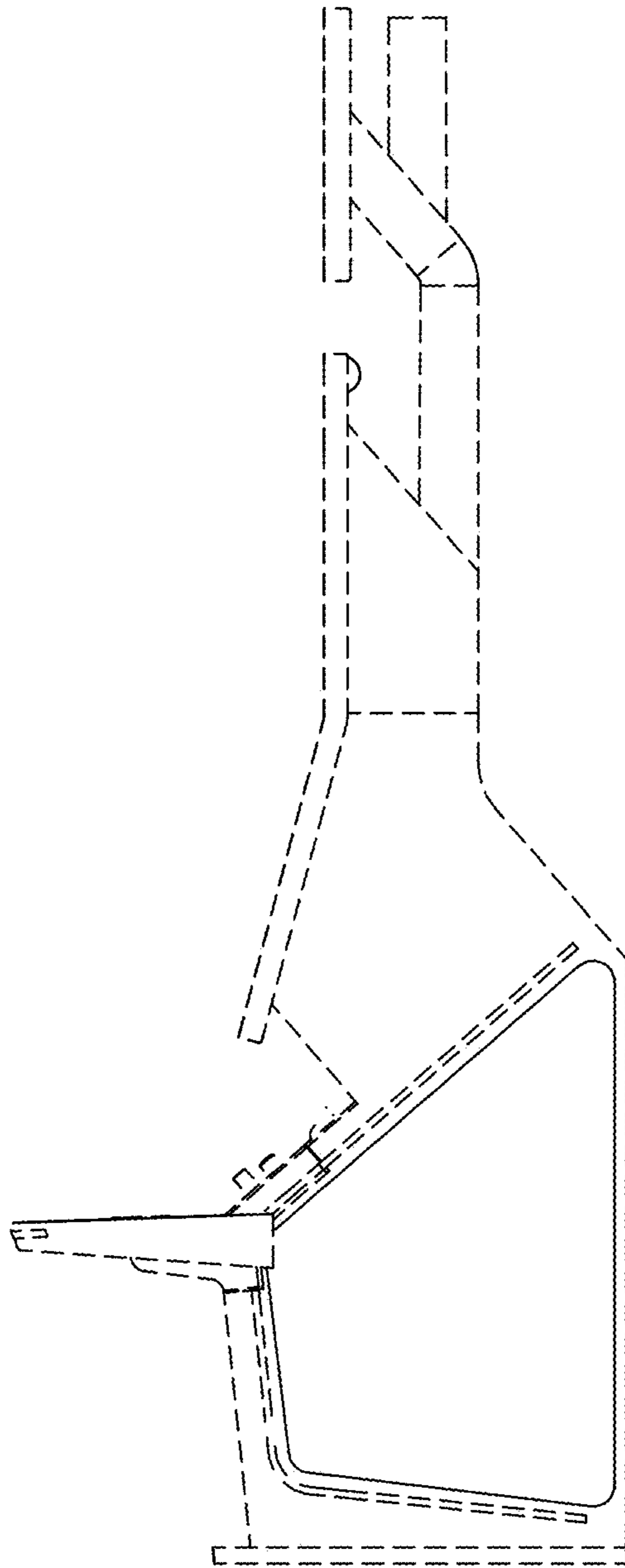


FIG. 13

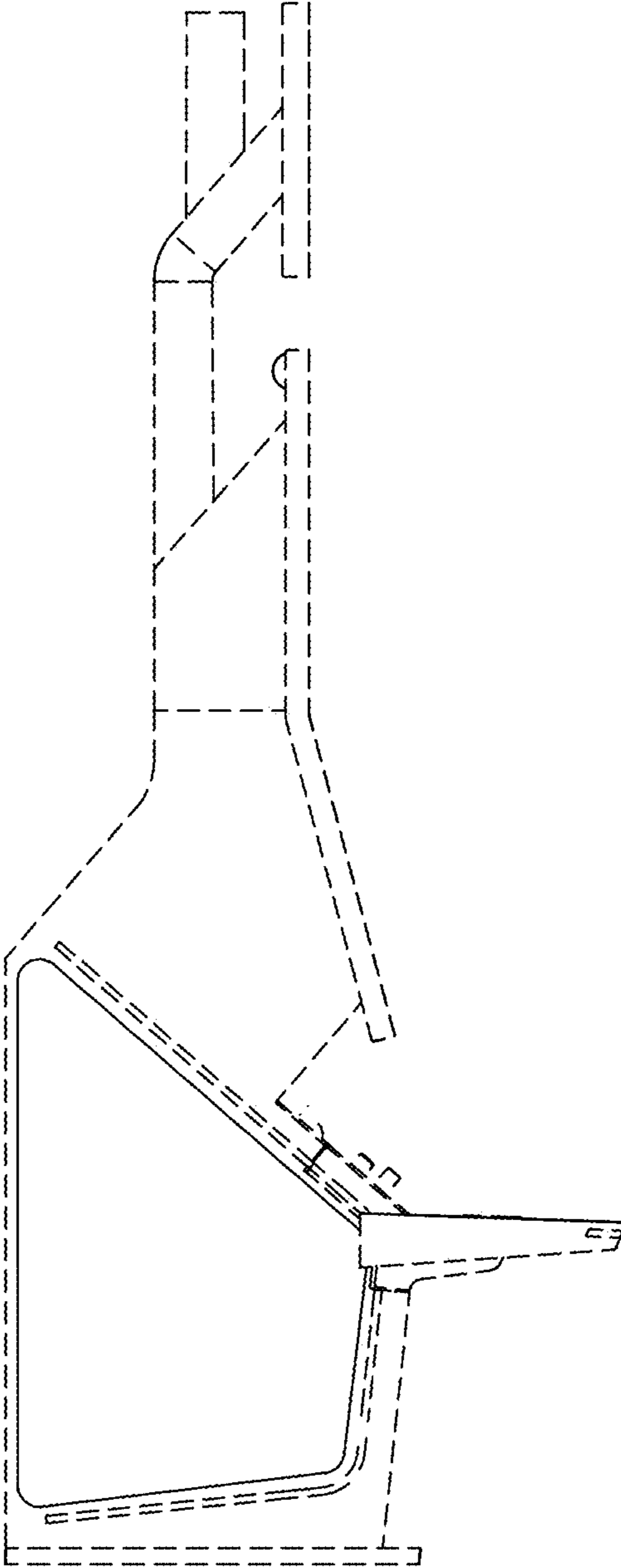


FIG. 14

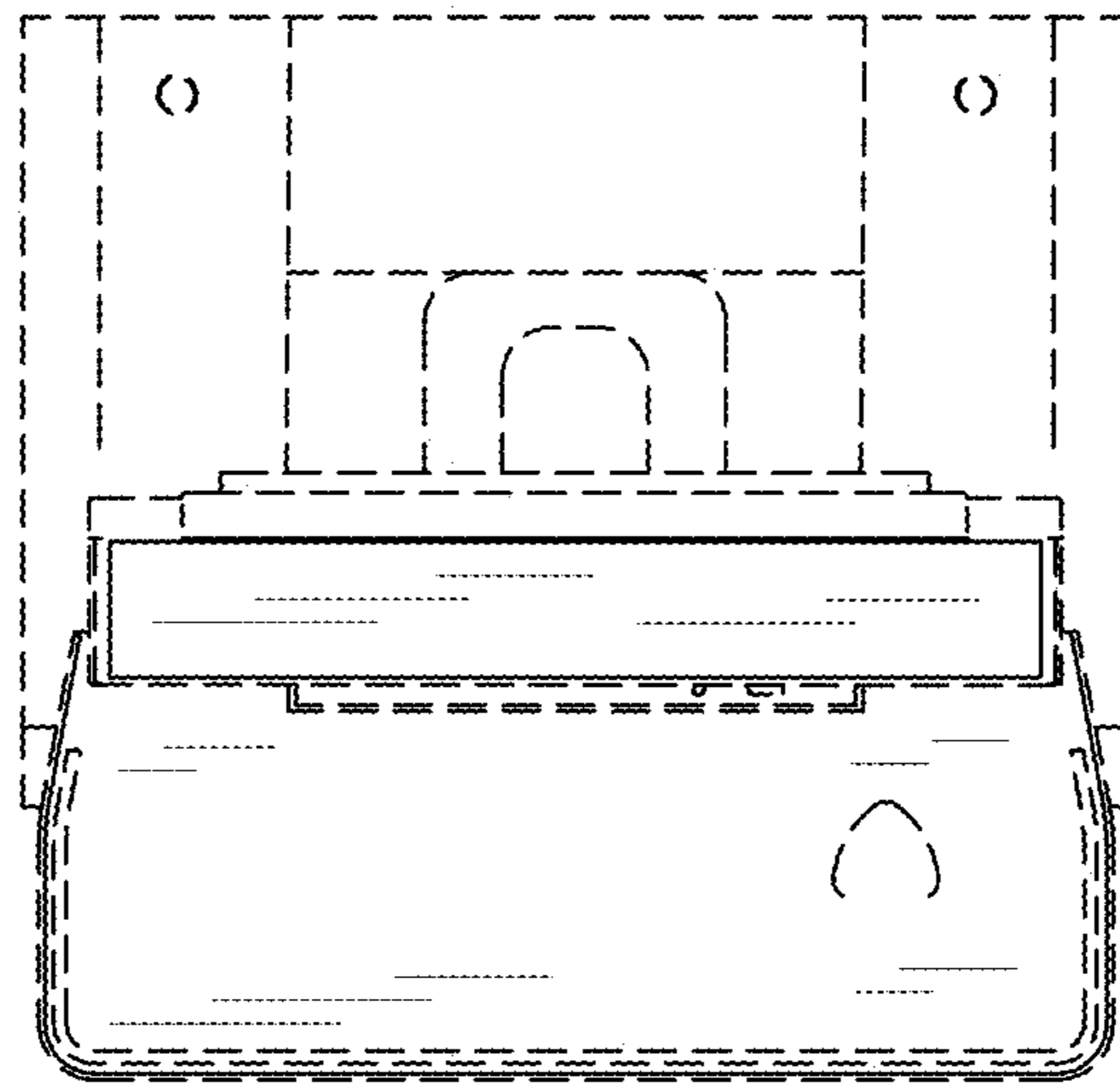


FIG. 15

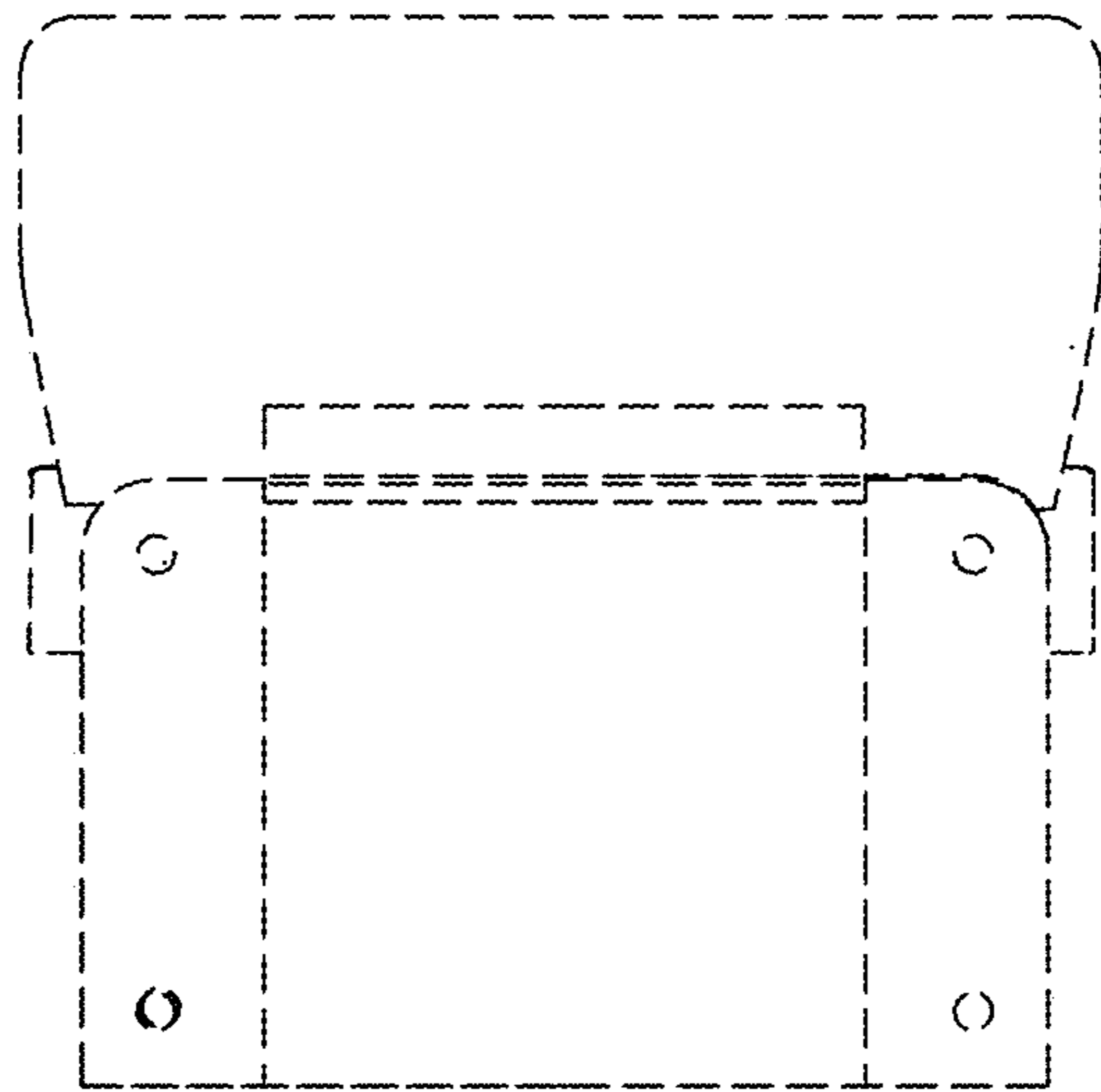


FIG. 16

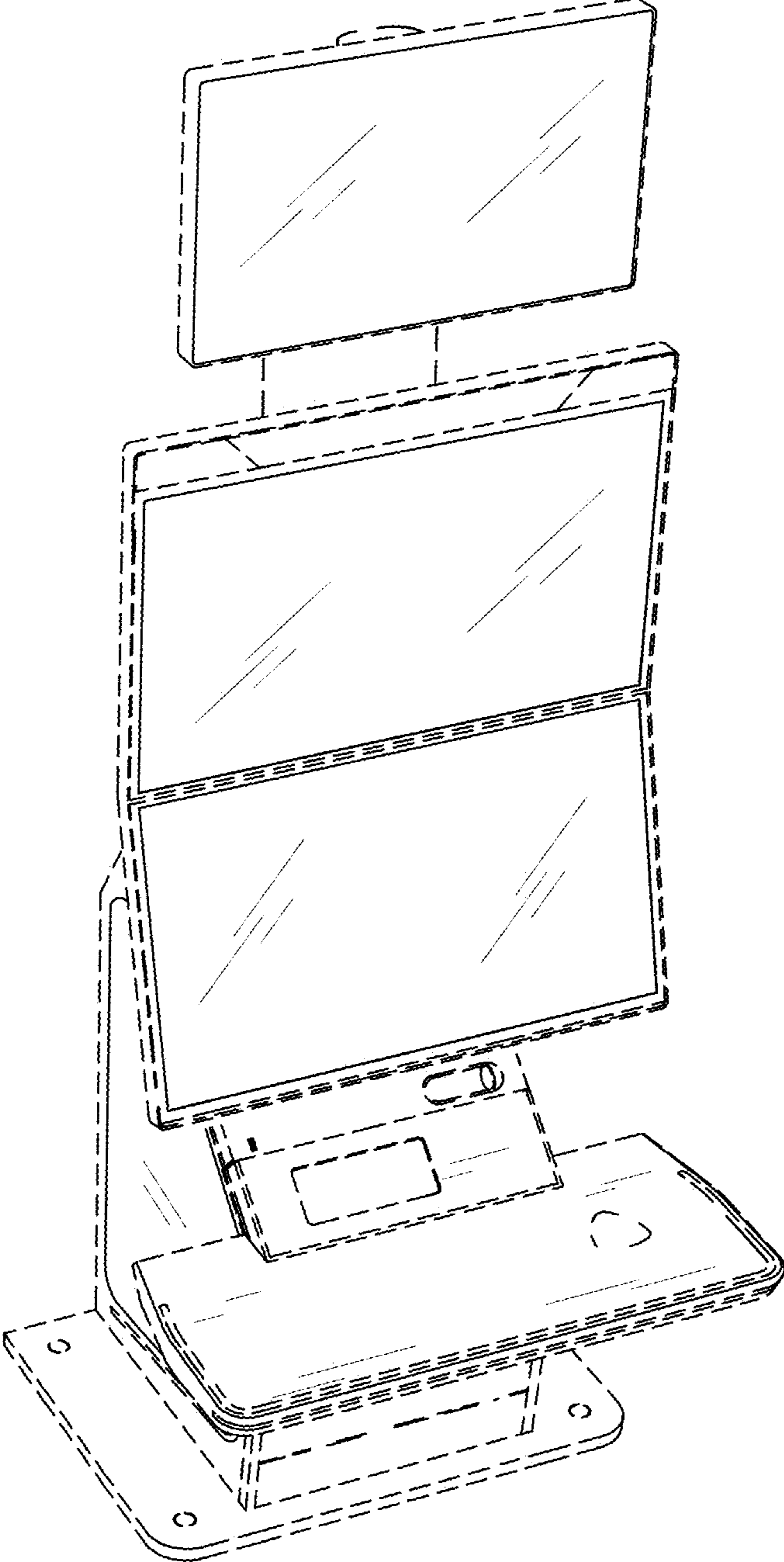


FIG. 17

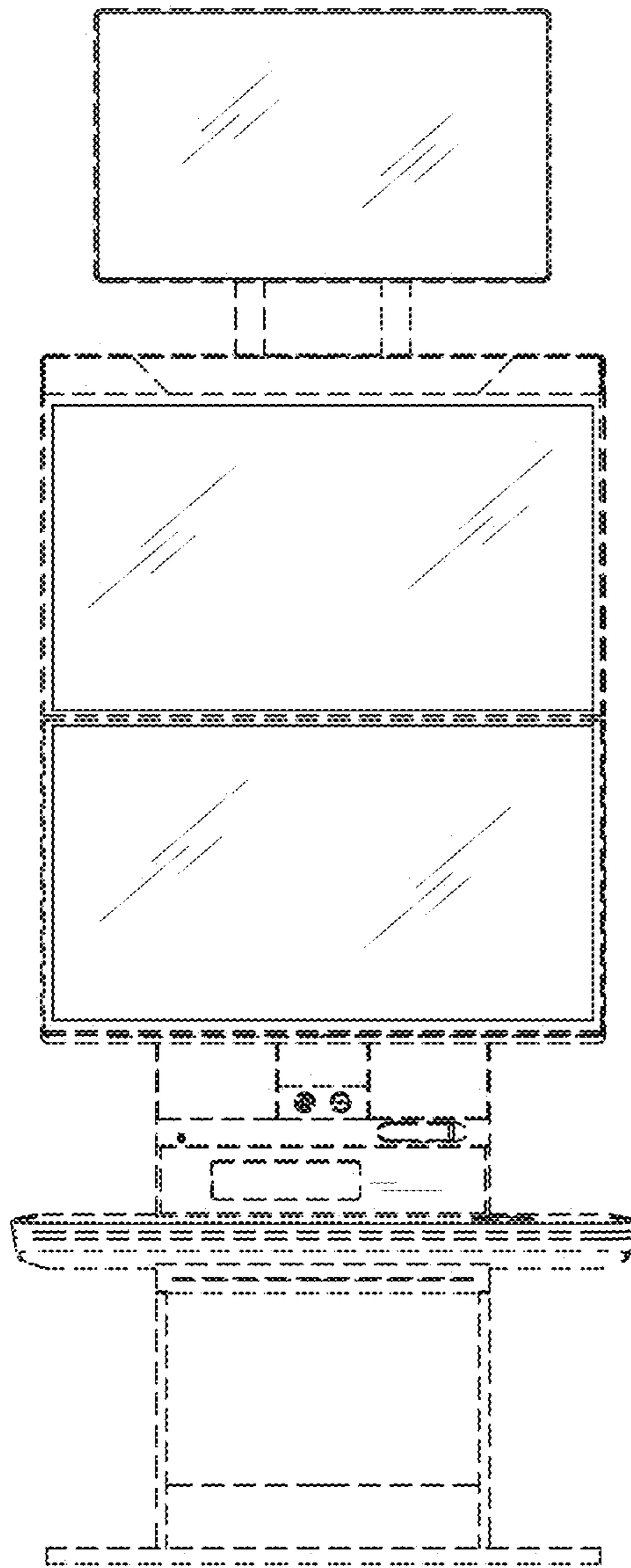


FIG. 18