



US00D918299S

(12) **United States Design Patent**
Yoon et al.

(10) **Patent No.:** **US D918,299 S**

(45) **Date of Patent:** **** May 4, 2021**

(54) **DIGITAL SIGN**

(71) Applicant: **LG ELECTRONICS INC.**, Seoul
(KR)

(72) Inventors: **Sangwon Yoon**, Seoul (KR); **Hongseok Kim**, Seoul (KR); **Joe Hyun**, Seoul (KR); **Yongho Lee**, Seoul (KR)

(73) Assignee: **LG ELECTRONICS INC.**, Seoul
(KR)

(**) Term: **15 Years**

(21) Appl. No.: **35/508,650**

(22) Filed: **Aug. 21, 2019**

(80) **Hague Agreement Data**

Int. Filing Date: **Aug. 21, 2019**
Int. Reg. No.: **DM/204655**
Int. Reg. Date: **Aug. 21, 2019**
Int. Reg. Pub. Date: **Feb. 14, 2020**

(30) **Foreign Application Priority Data**

Feb. 26, 2019 (KR) 30-2019-0008464

(51) **LOC (13) Cl.** **20-02**

(52) **U.S. Cl.**
USPC **D20/41**

(58) **Field of Classification Search**
USPC D14/127, 373; D20/10, 18, 19, 21, 39,
D20/41, 42, 99

CPC ... G09F 7/00; G09F 7/02; G09F 13/04; G09F
19/02
See application file for complete search history.

(56) **References Cited**

U.S. PATENT DOCUMENTS

D198,673 S * 7/1964 Strogilis D25/19

D205,996 S * 10/1966 Shotmeyer D25/3
D206,060 S * 10/1966 Kobler D25/6
D206,319 S * 11/1966 Noyes D25/56
D206,863 S * 2/1967 Noyes D25/56
D223,440 S * 4/1972 Noyes D25/56
D331,077 S * 11/1992 Foster D20/10
D380,011 S * 6/1997 Pettus D20/10
D399,574 S * 10/1998 Monaco D25/31
D423,682 S * 4/2000 Horton D25/31
D567,872 S * 4/2008 Stead D20/10
D567,873 S * 4/2008 Stead D20/10
D567,874 S * 4/2008 Stead D20/10
D567,875 S * 4/2008 Stead D20/10
D629,149 S * 12/2010 Donegani D26/107
D853,491 S * 7/2019 Lee D20/10

* cited by examiner

Primary Examiner — Robert M. Spear

(74) *Attorney, Agent, or Firm* — Birch, Stewart, Kolasch
& Birch, LLP

(57) **CLAIM**

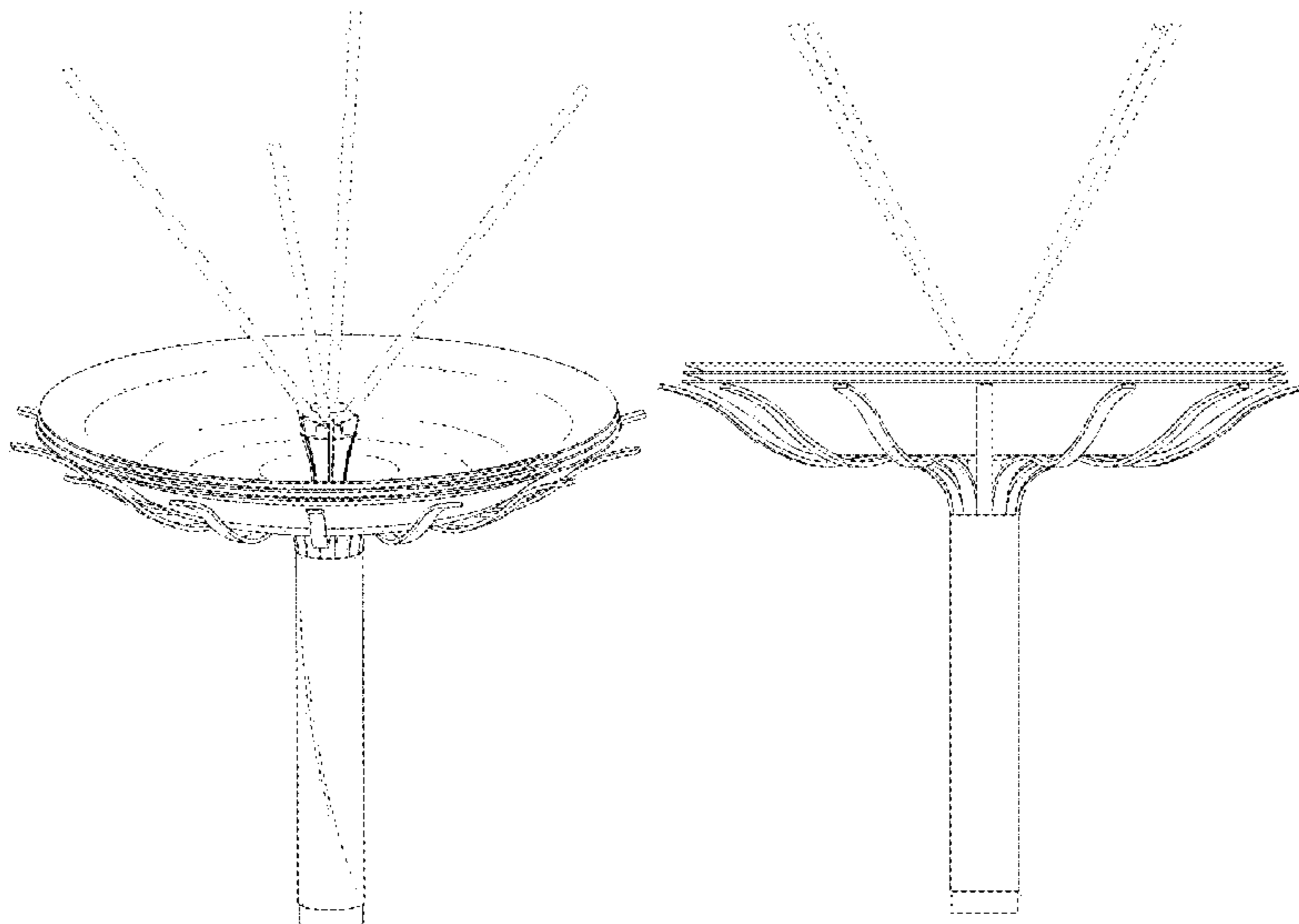
The ornamental design for a digital sign, as shown and described.

DESCRIPTION

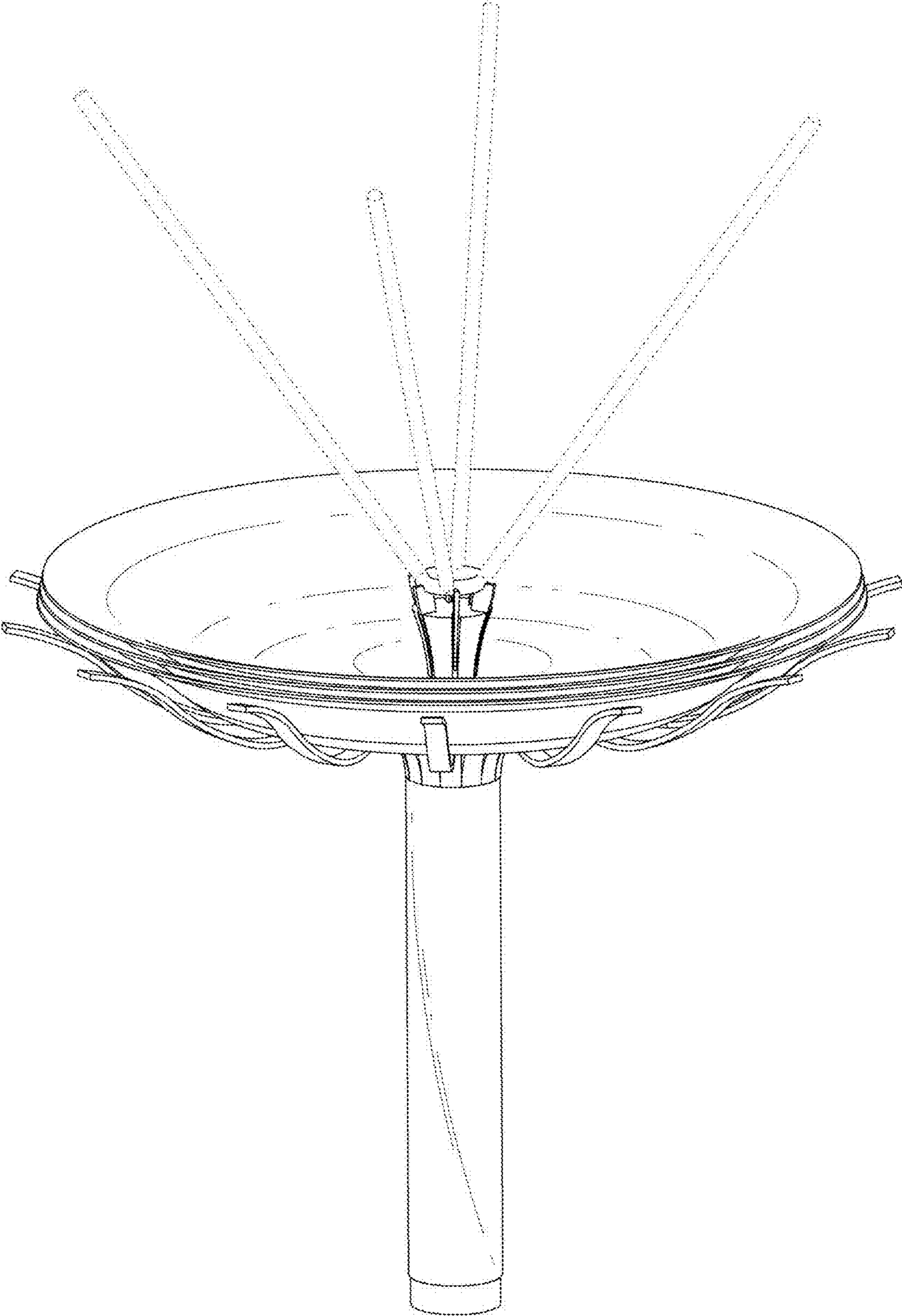
- 1. Digital sign
- 1.1 : Perspective
- 1.2 : Front
- 1.3 : Back
- 1.4 : Left
- 1.5 : Right
- 1.6 : Top
- 1.7 : Bottom

The broken lines indicate portions of the article that form no part of the claimed design.

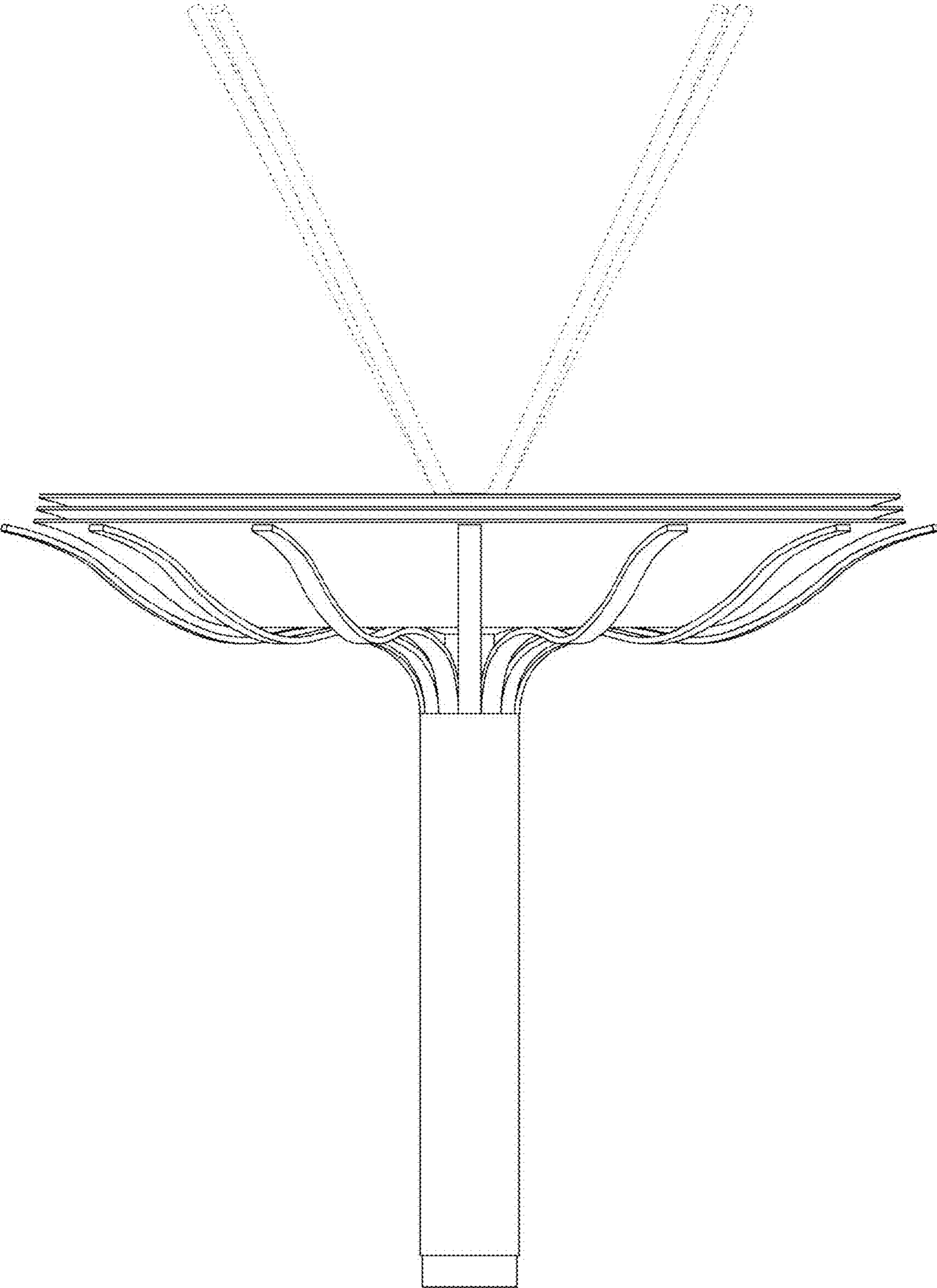
1 Claim, 7 Drawing Sheets



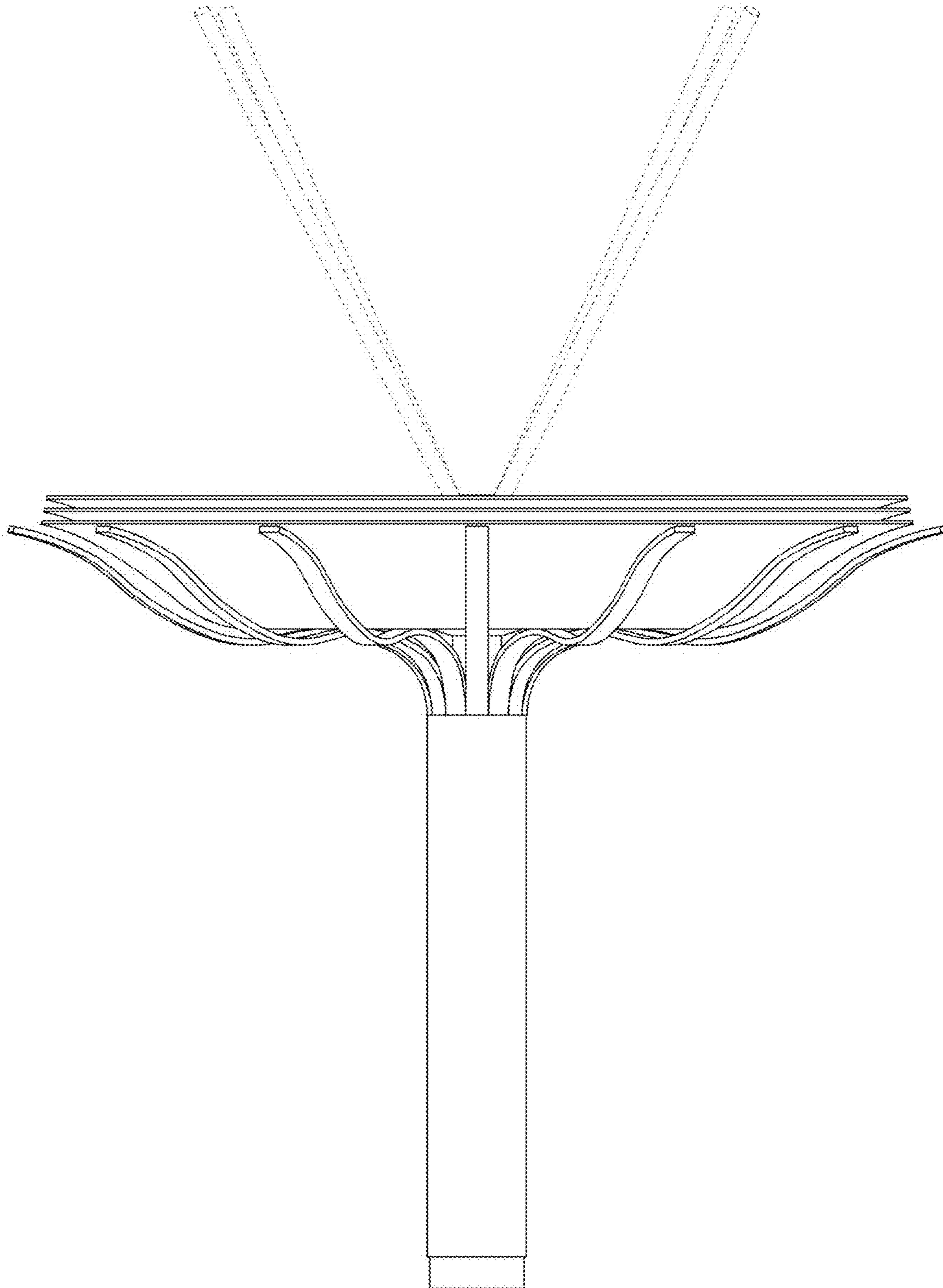
1.1



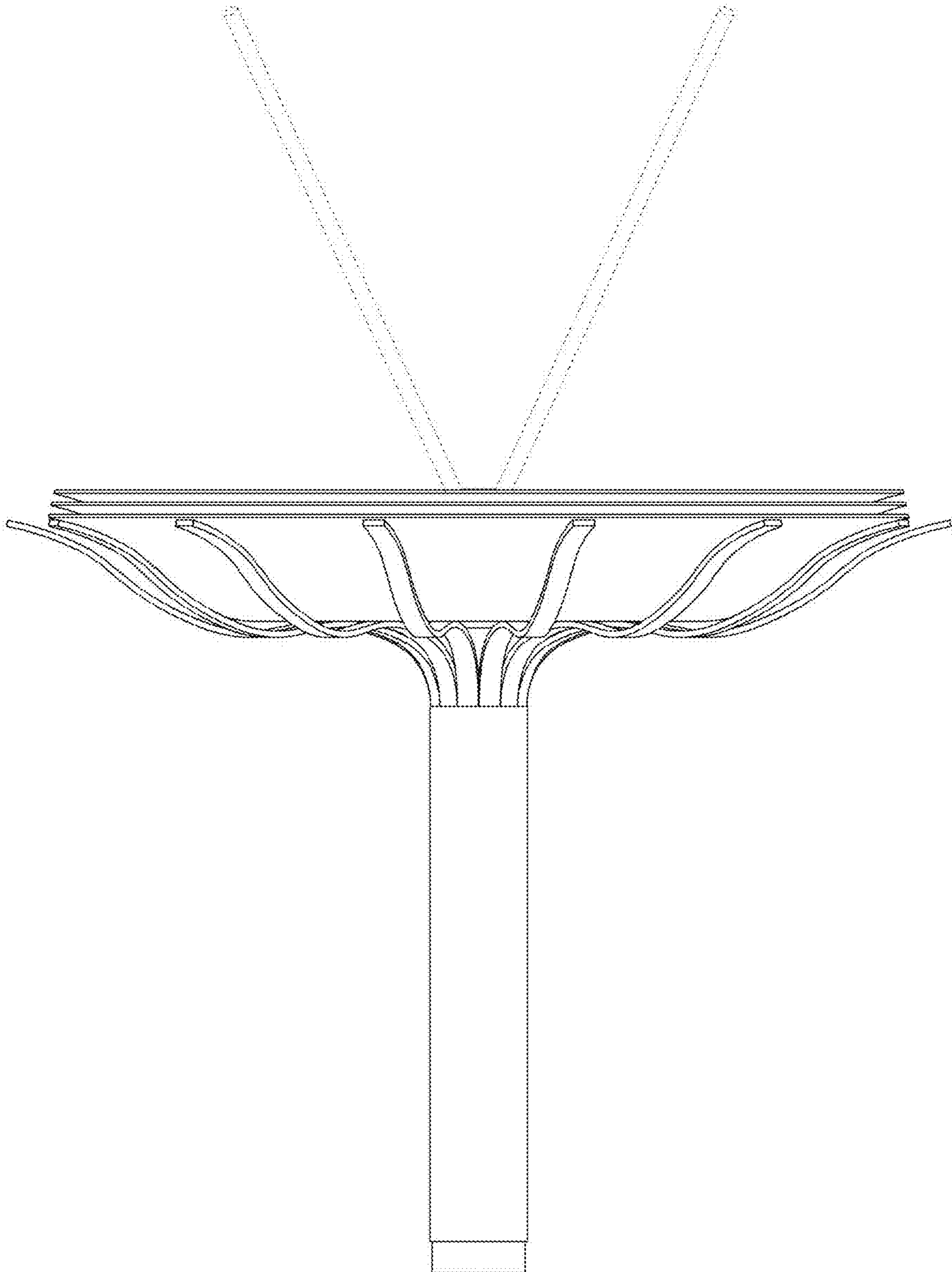
1.2



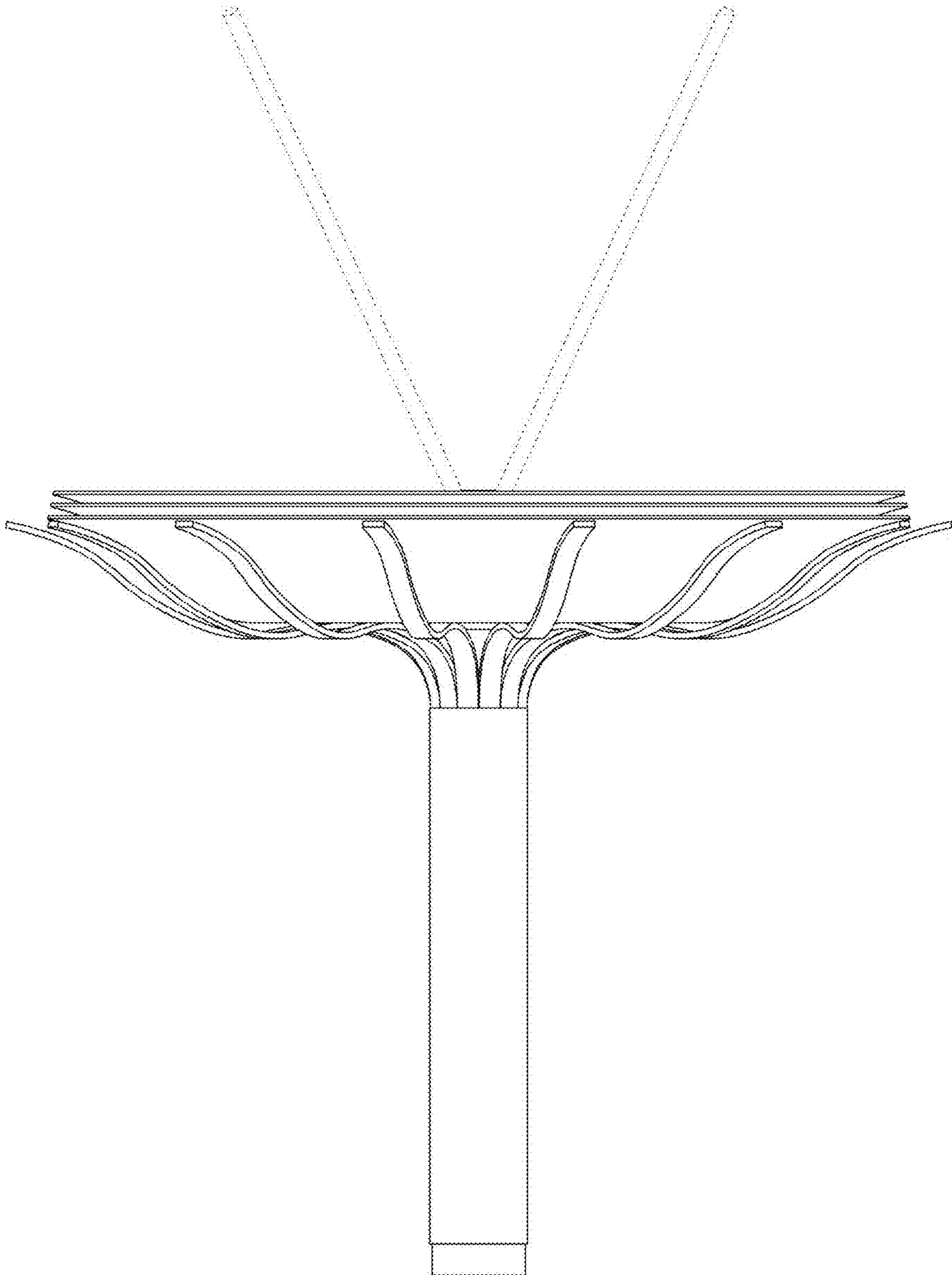
1.3



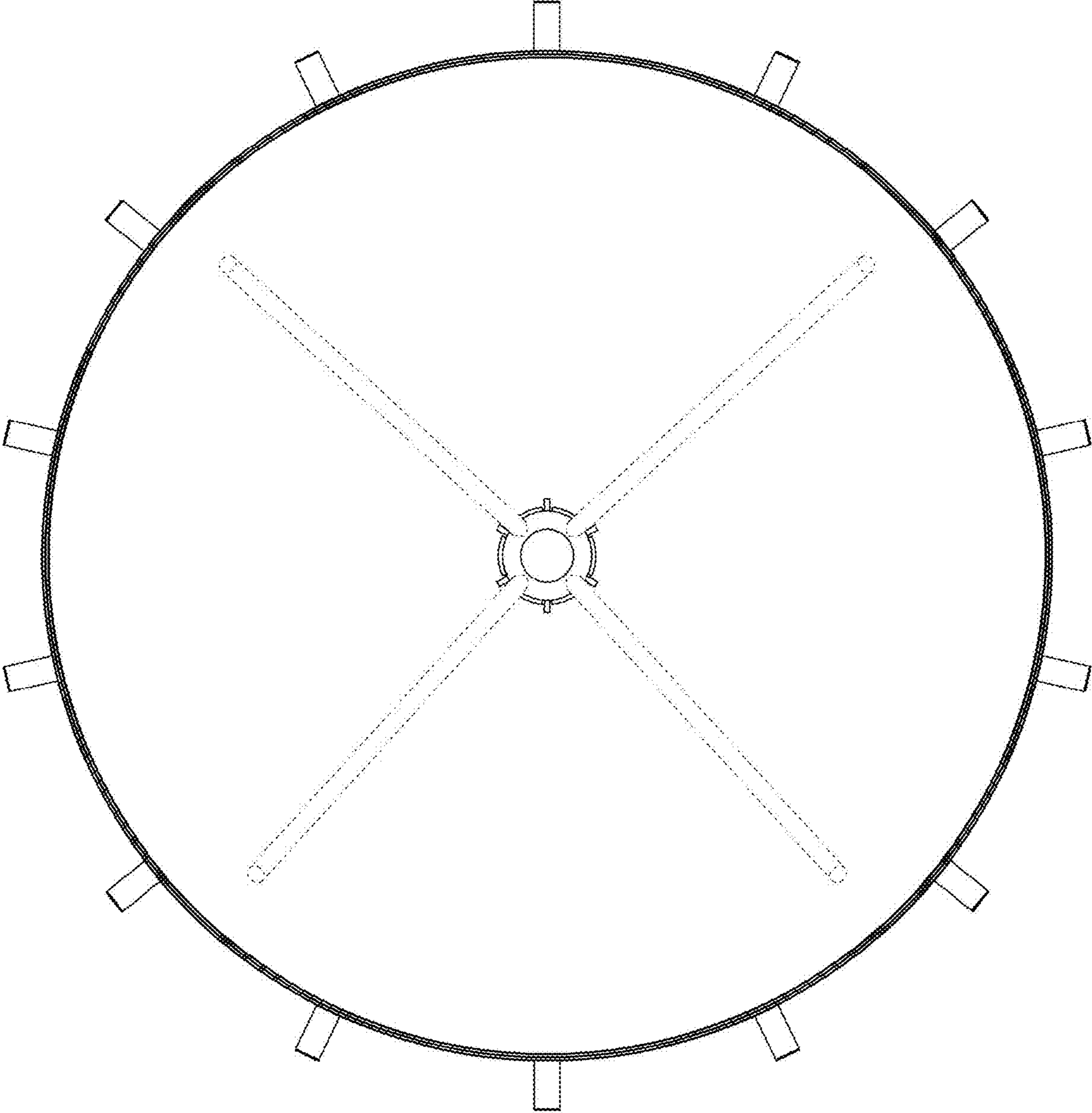
1.4



1.5



1.6



1.7

