



US00D918294S

(12) **United States Design Patent**
Kim et al.

(10) **Patent No.:** **US D918,294 S**

(45) **Date of Patent:** **** May 4, 2021**

(54) **NOTARY STAMP PHYSICAL UNCLONABLE
FUNCTION READER FRAME**

D236,754 S * 9/1975 Funahashi D18/15
D275,966 S * 10/1984 Worrell D18/19
D318,291 S * 7/1991 Ohnumata D14/426
D326,865 S * 6/1992 Satoh D18/15

(71) Applicant: **Lexmark International, Inc.**,
Lexington, KY (US)

(Continued)

(72) Inventors: **Hyeob Kim**, Independence, KY (US);
Thomas Eugene Pangburn,
Winchester, KY (US); **Scott Richard
Castle**, Lexington, KY (US); **Robert
Henry Muyskens**, Lexington, KY (US);
Brant Dennis Nystrom, Lexington, KY
(US); **Samuel Leo Rhodus**, Lexington,
KY (US)

FOREIGN PATENT DOCUMENTS

EP 0364072 A2 * 4/1990 B41K 1/006
FR 2675739 A1 * 10/1992 B41K 1/003

(Continued)

(73) Assignee: **Lexmark International, Inc.**,
Lexington, KY (US)

OTHER PUBLICATIONS

Rubber Stamp Warehouse. Link: https://www.rubberstampwarehouse.com/products/n42-xstamper-pre-inked-stamp/?gclid=EALalQobChMldbSm9yd6gIVGInlCh0MFg3rEAQYDiABEgljE_D_BwE. Visited Jun. 25, 2020. N42 Xstamper Pre-Inked Stamp. (Year: 2020).*

(**) Term: **15 Years**

Primary Examiner — Lauren D McVey

(21) Appl. No.: **29/684,378**

(22) Filed: **Mar. 20, 2019**

(51) **LOC (13) Cl.** **19-02**

(52) **U.S. Cl.**
USPC **D18/15**

(58) **Field of Classification Search**
USPC D18/14, 15, 16, 17, 18, 19, 36, 37, 38,
D18/39, 40, 41, 45, 50, 53, 54, 55, 56,
D18/12; D19/65, 66, 67, 68, 69, 70, 71;
D14/301, 307, 121
CPC H04N 1/00204; H04N 1/00249; H04N
1/00278; G06K 15/12; G06K 15/14; B41J
3/00; B41J 3/28; B41J 3/445; B41J 3/46;
B41J 11/0045; B41J 2/3358
See application file for complete search history.

(56) **References Cited**

U.S. PATENT DOCUMENTS

2,919,645 A * 1/1960 Leeds B41K 1/02
101/368
D207,435 S * 4/1967 Loeffler D18/19

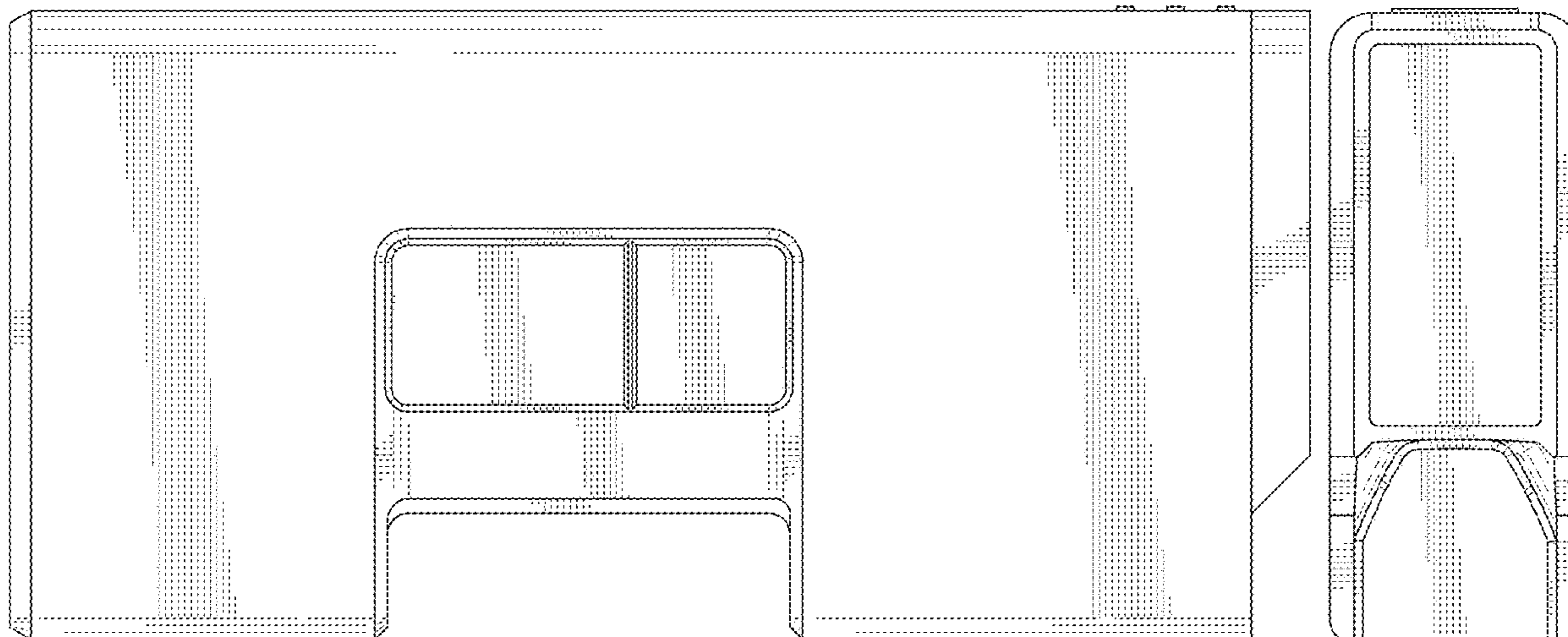
(57) **CLAIM**

The ornamental design for notary stamp physical unclonable function reader frame, as shown and described.

DESCRIPTION

FIG. 1 is a front, top, and right side perspective view of a notary stamp physical unclonable function reader frame showing our new design;
FIG. 2 is a rear, bottom, and left side perspective view thereof;
FIG. 3 is front elevation view thereof;
FIG. 4 is a bottom plan view thereof;
FIG. 5 is a rear elevation view thereof;
FIG. 6 is a top plan view thereof;
FIG. 7 is a left side elevation view thereof; and,
FIG. 8 is a right side elevation view thereof.
The broken ones depict the bounds of the claimed design and form no part of the claimed design.

1 Claim, 6 Drawing Sheets



(56)

References Cited

U.S. PATENT DOCUMENTS

6,058,840 A * 5/2000 Poplawski B41K 1/40
101/333
D543,233 S * 5/2007 Inaguma D18/15
7,270,410 B2 * 9/2007 Silverbrook B41K 1/40
347/109
D650,008 S * 12/2011 Zindl D18/15
D745,598 S * 12/2015 Nakayama D18/19
9,211,753 B2 * 12/2015 Faber B41K 1/00
D758,480 S * 6/2016 Faber D18/15

FOREIGN PATENT DOCUMENTS

IN 313650-002-0001 * 1/2020
KR 301023118.0000 * 9/2019

* cited by examiner

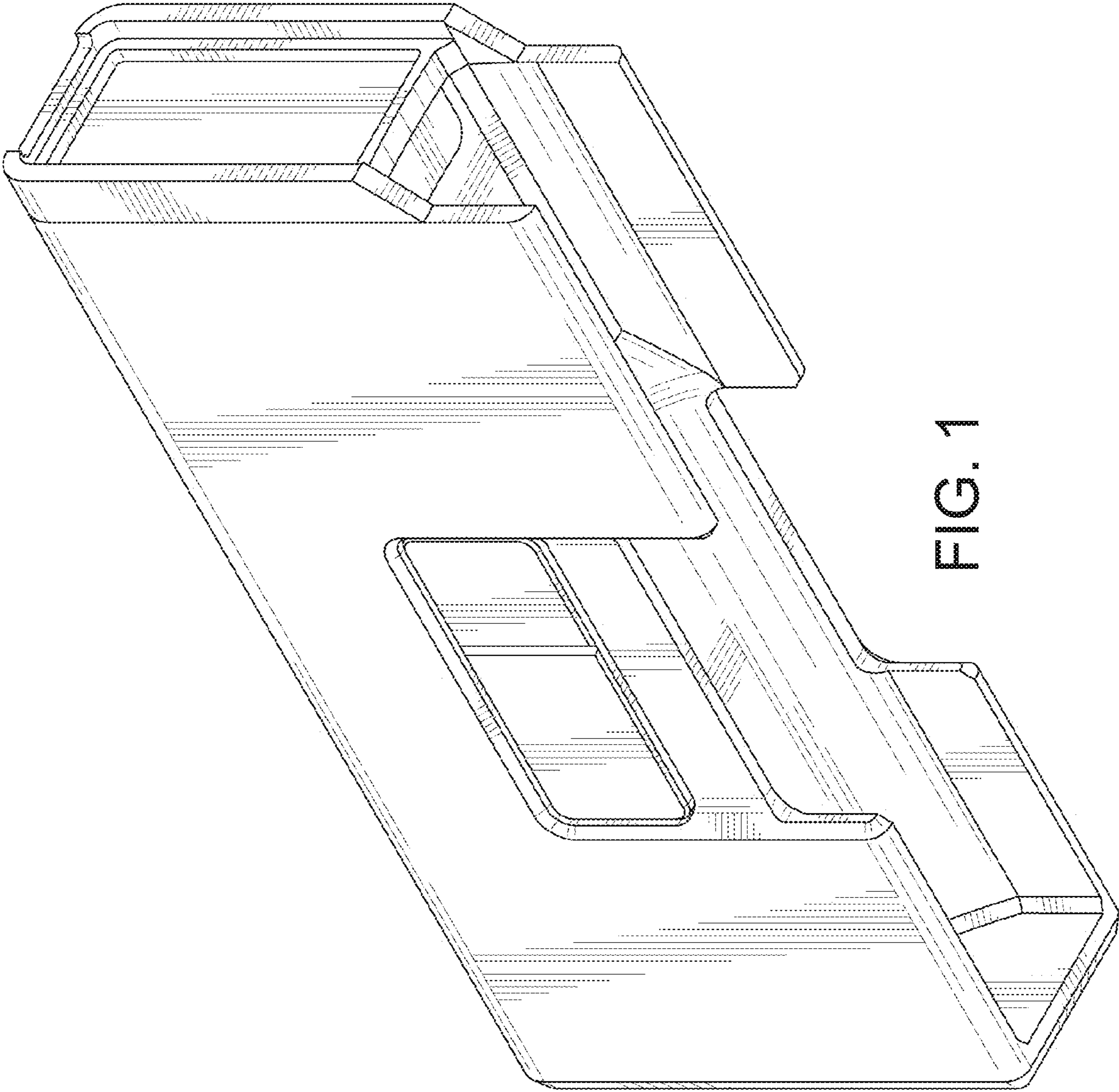


FIG. 1

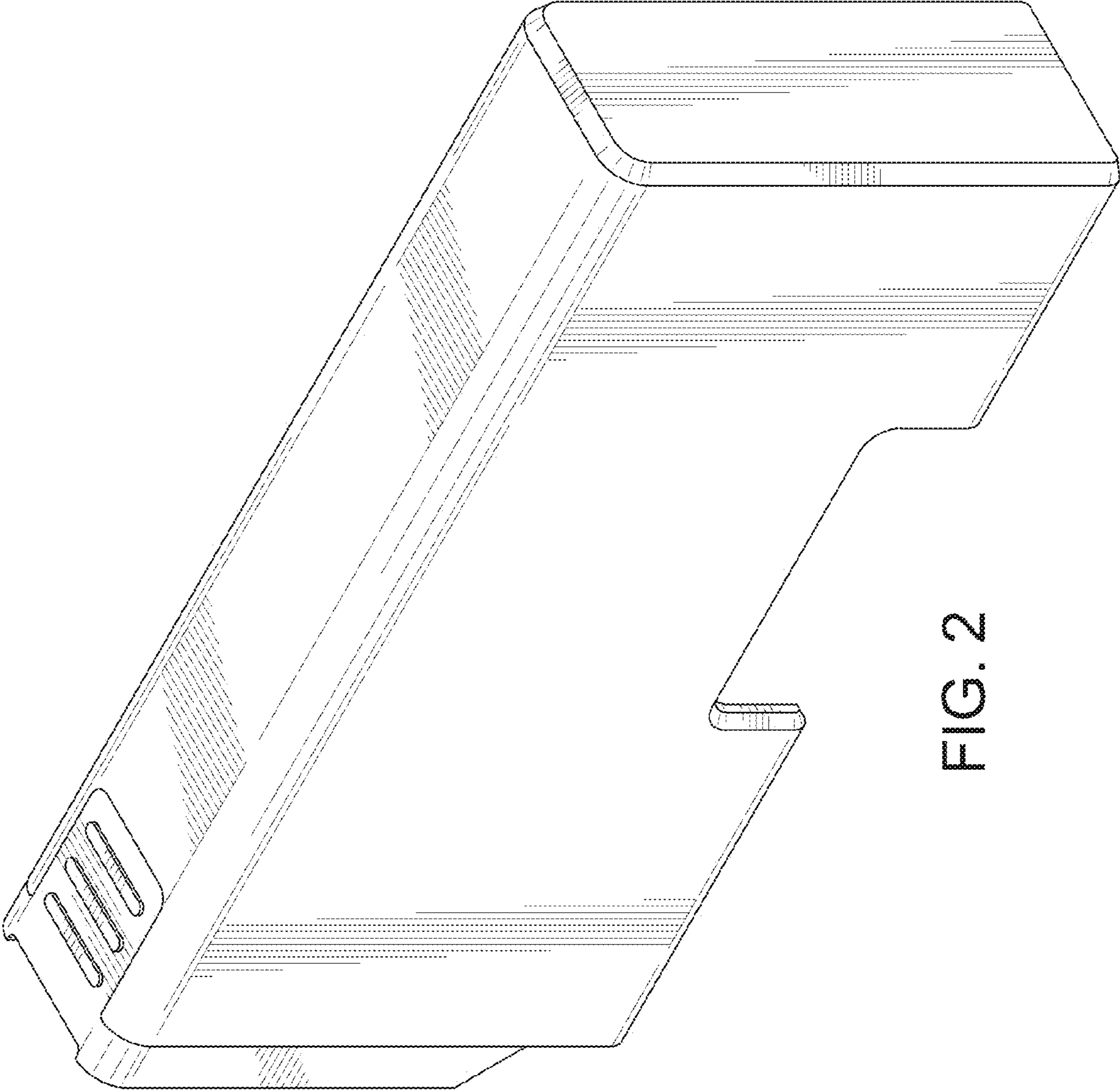


FIG. 2

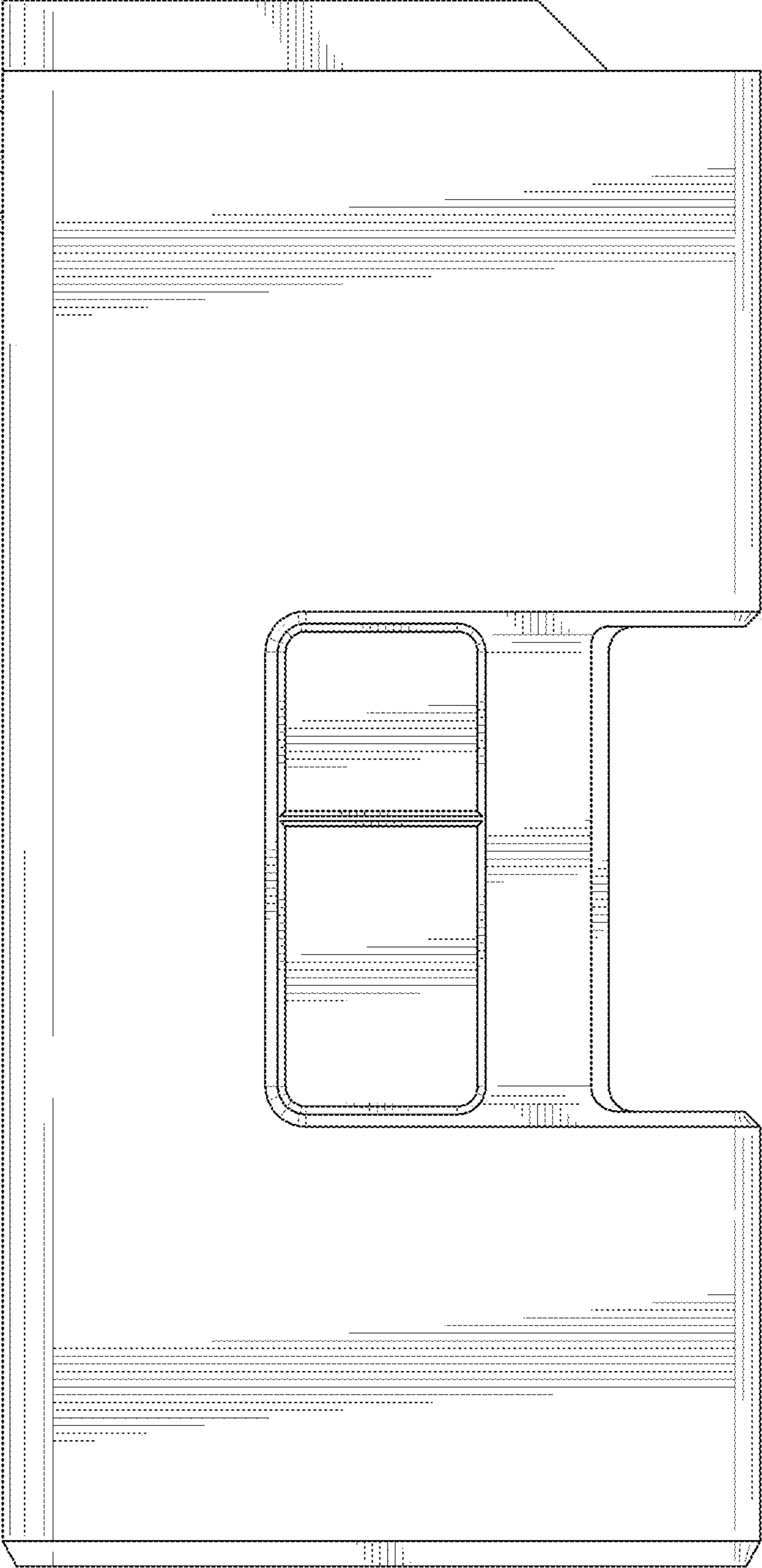


FIG. 3

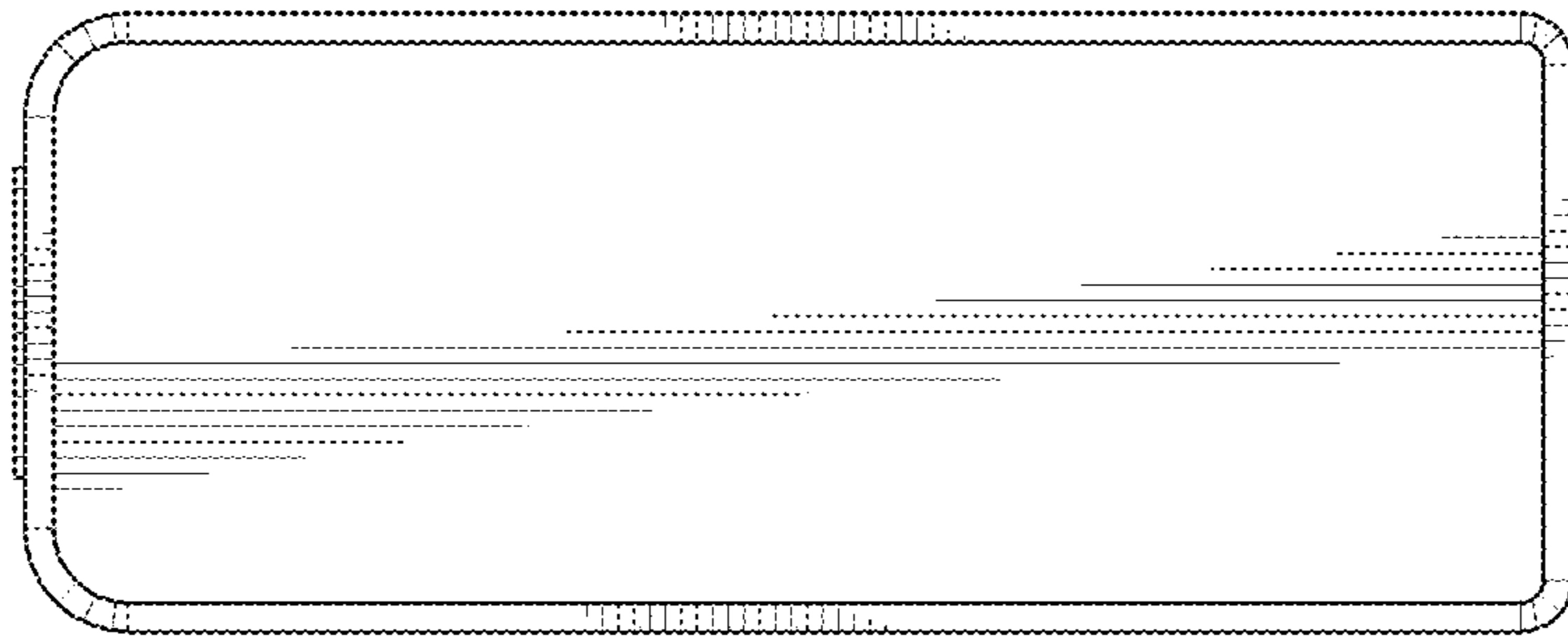


FIG. 6

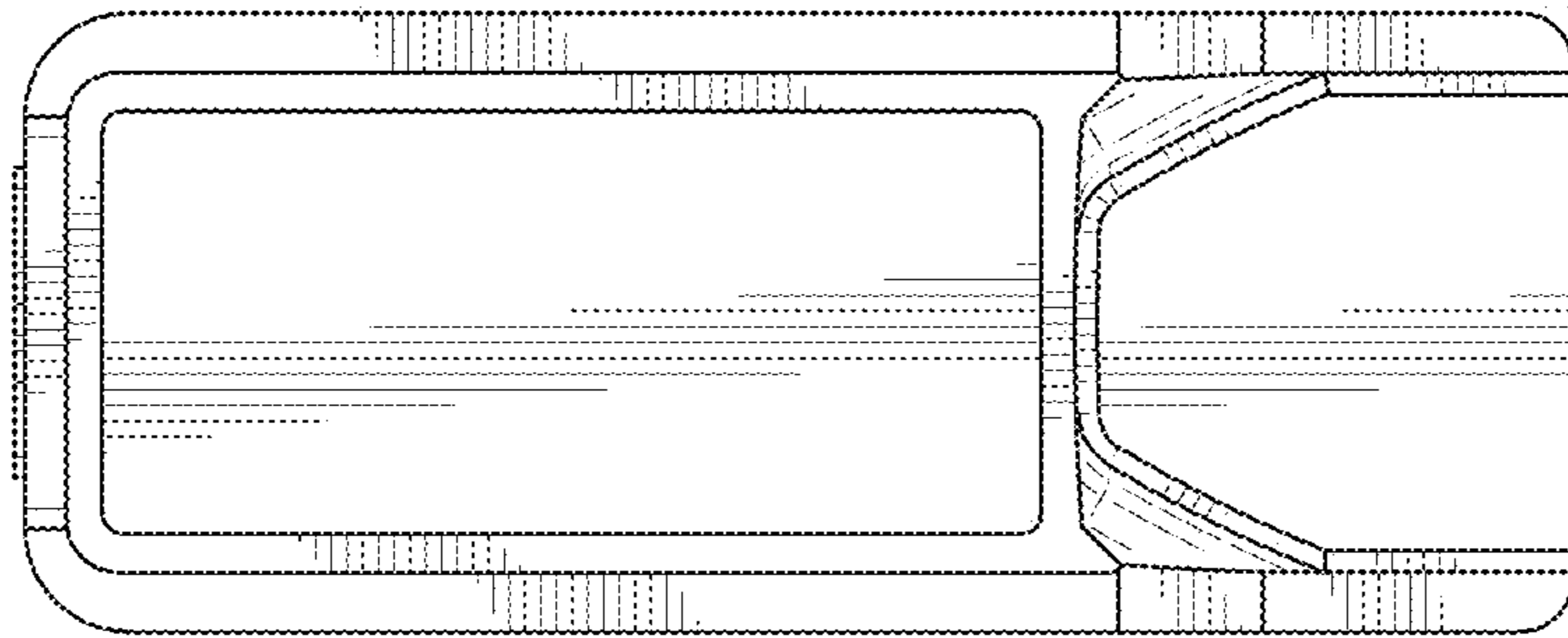


FIG. 4

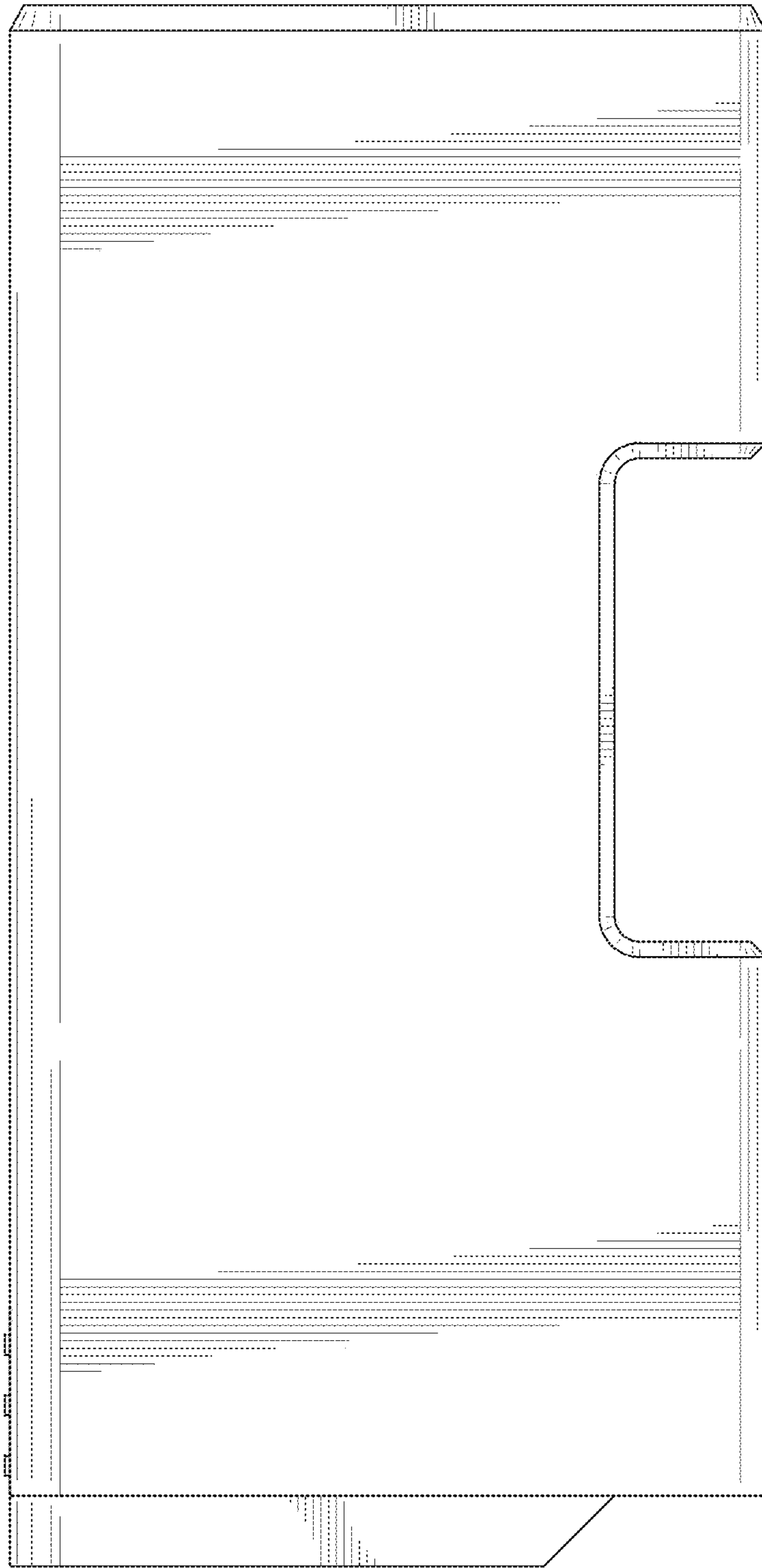


FIG. 5

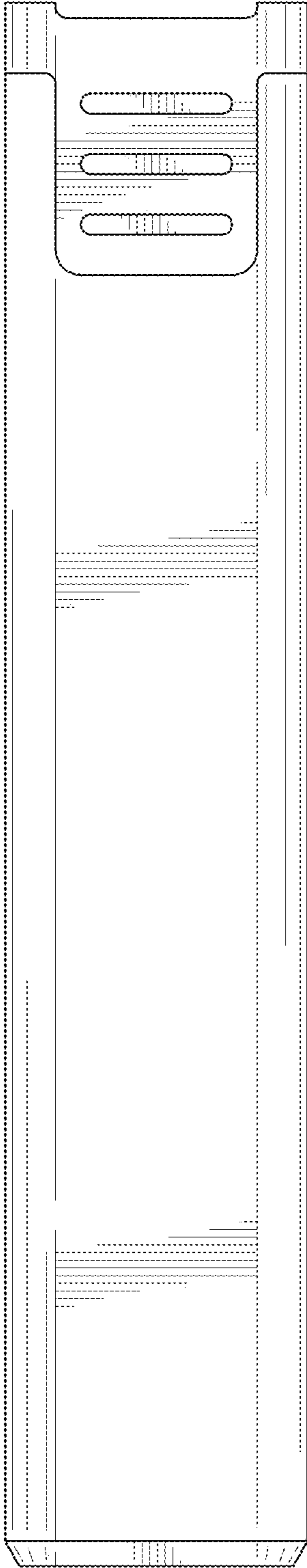


FIG. 7

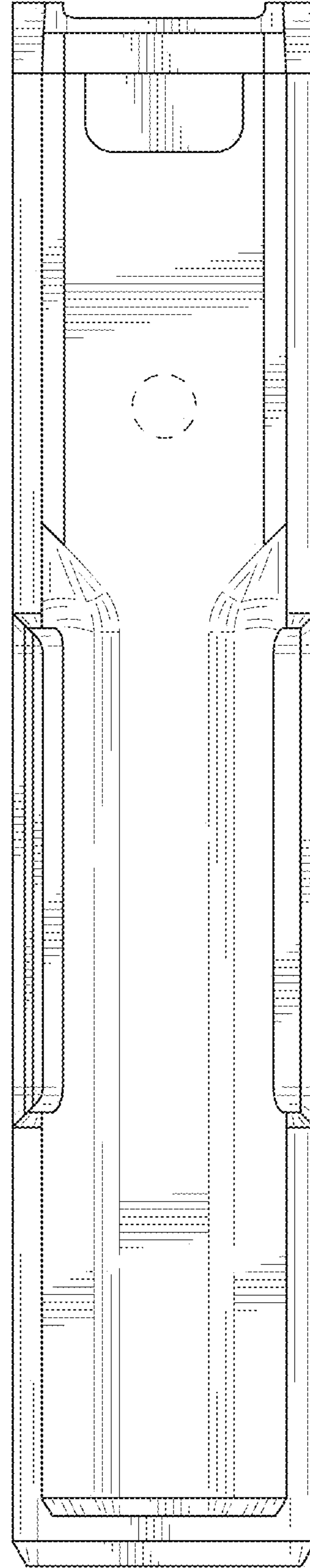


FIG. 8