



US00D918289S

(12) **United States Design Patent** (10) **Patent No.:** **US D918,289 S**
Kim et al. (45) **Date of Patent:** **** May 4, 2021**

- (54) **GOGGLE**
- (71) Applicant: **Oakley, Inc.**, Foothill Ranch, CA (US)
- (72) Inventors: **Joon H. Kim**, Hacienda Heights, CA (US); **Nicolas Adolfo Garfias**, Long Beach, CA (US); **Daniel Soo Chae**, Mission Viejo, CA (US)
- (73) Assignee: **Oakley, Inc.**, Foothill Ranch, CA (US)
- (**) Term: **15 Years**
- (21) Appl. No.: **29/740,960**
- (22) Filed: **Jul. 8, 2020**

D616,914 S 6/2010 Moritz
 D649,577 S 11/2011 Goodman
 D678,932 S 3/2013 Moritz
 (Continued)

FOREIGN PATENT DOCUMENTS

EP 0625344 A2 4/1994

OTHER PUBLICATIONS

Mugler, Thierry. *Insects* 1997, Resurrection Vintage. Available at least as early as 1997. Accessed at <https://www.resurrectionvintage.com/resblog/thierry-mugler--insects-1997/> on Aug. 30, 2018.

(Continued)

Primary Examiner — George D. Kirschbaum
Assistant Examiner — Maria J. Edwards
 (74) *Attorney, Agent, or Firm* — Sterne, Kessler, Goldstein & Fox P.L.L.C.

Related U.S. Application Data

- (63) Continuation of application No. 29/670,047, filed on Nov. 13, 2018, now Pat. No. Des. 892,914.
- (51) **LOC (13) Cl.** **16-06**
- (52) **U.S. Cl.**
USPC **D16/313**
- (58) **Field of Classification Search**
USPC D16/300, 313, 325, 328
CPC G02C 5/008; G02C 5/146
See application file for complete search history.

(57) **CLAIM**

The ornamental design for a goggle, as shown and described.

DESCRIPTION

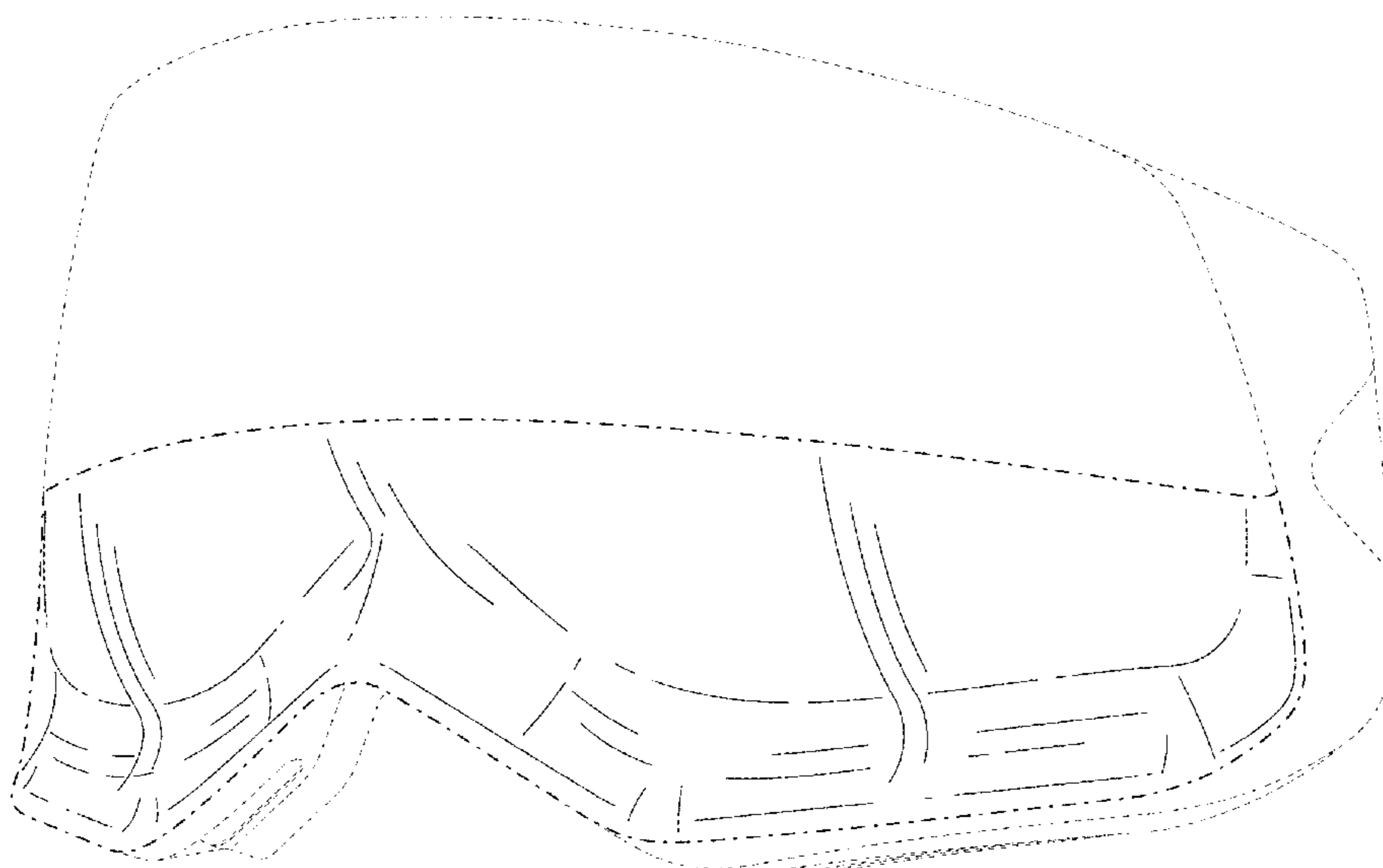
FIG. 1 is a front perspective view of a goggle showing the claimed design;
 FIG. 2 is a top front perspective view thereof;
 FIG. 3 is a front view thereof;
 FIG. 4 is a rear view thereof;
 FIG. 5 is a right side view thereof, the left side view being a mirror image thereof;
 FIG. 6 is a top view thereof; and,
 FIG. 7 is a bottom view thereof.
 The dashed broken lines in the figures show portions of the goggle that form no part of the claimed design.
 The dot-dash broken lines in the figures show boundaries of the claim and form no part of the claimed design.

(56) **References Cited**

U.S. PATENT DOCUMENTS

- 3,705,760 A 12/1972 Langendorfer et al.
- 4,612,378 A 11/1986 Hatchman
- 5,012,527 A 5/1991 Michel
- 5,379,463 A 1/1995 Schleger et al.
- 5,666,664 A 9/1997 Hamilton
- D405,102 S 2/1999 Moritz
- 6,009,564 A 1/2000 Tackles et al.
- D428,039 S 7/2000 Thixton
- D519,147 S 4/2006 Moritz
- D577,054 S 9/2008 Moritz
- D578,562 S 10/2008 Moritz
- D616,483 S 5/2010 Moritz

1 Claim, 4 Drawing Sheets



(56)

References Cited

U.S. PATENT DOCUMENTS

D682,479	S	5/2013	Buathier	
D687,881	S	8/2013	Ginther	
D695,335	S	12/2013	Goodman	
D785,699	S	5/2017	Chen	
D800,825	S	10/2017	Frosi	
D828,866	S	9/2018	Yoo	
D858,622	S *	9/2019	Xin	D16/312
D862,570	S *	10/2019	Frosi	D16/313
D880,574	S *	4/2020	Liang	D16/312
D892,913	S *	8/2020	Lindauer	D16/313
D892,914	S *	8/2020	Kim	D16/313
2008/0189838	A1	8/2008	Mage	

OTHER PUBLICATIONS

Goggle Single Layer Ultralight TPU Lens, posted at amazon.com, available at least as early as Nov. 13, 2018, URL: <https://www.amazon.com/Ultralight-Sand-Proof-Goggles-Glasses-Sunglasses/dp/B07X7W945Z>.

* cited by examiner

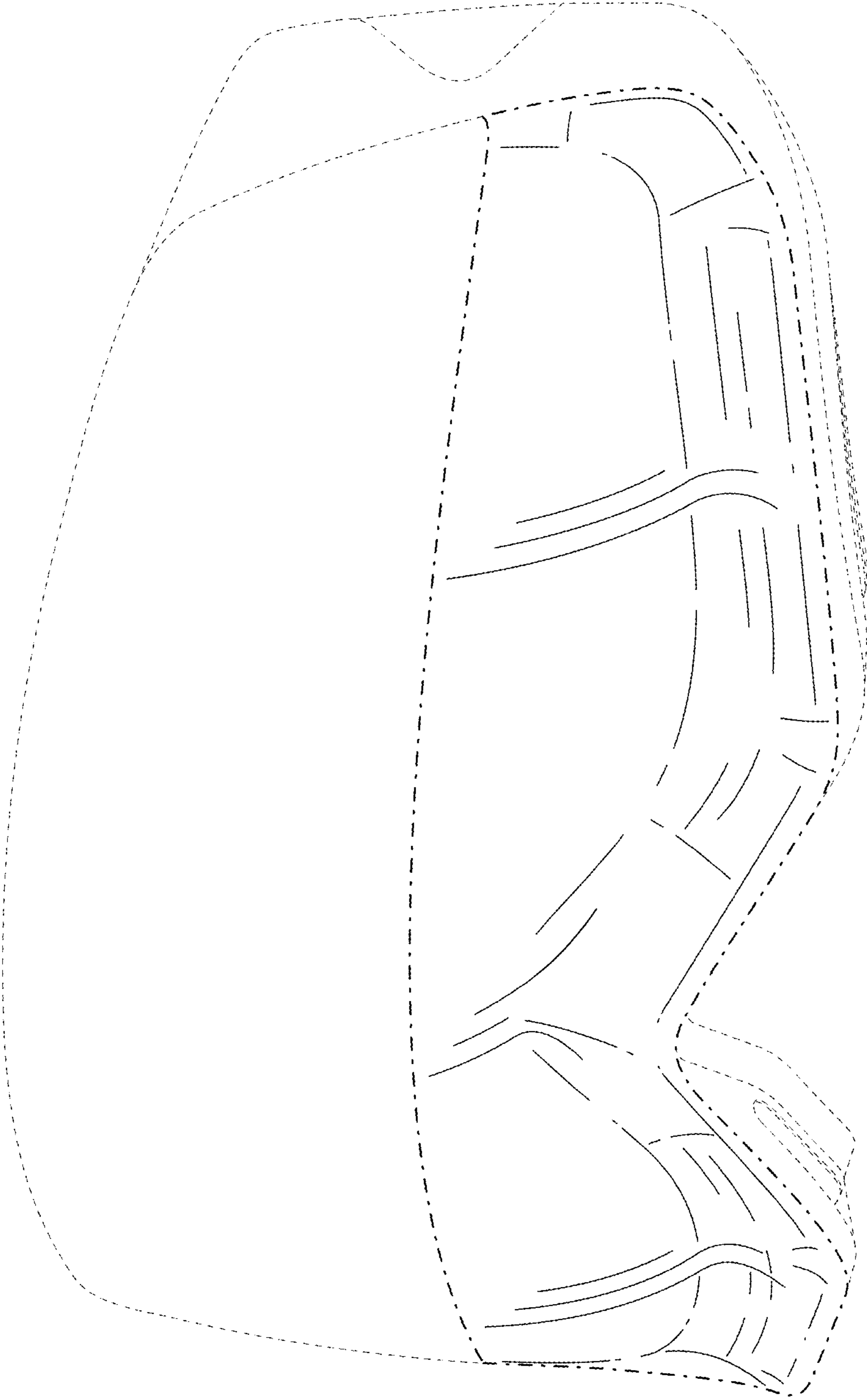


FIG. 1

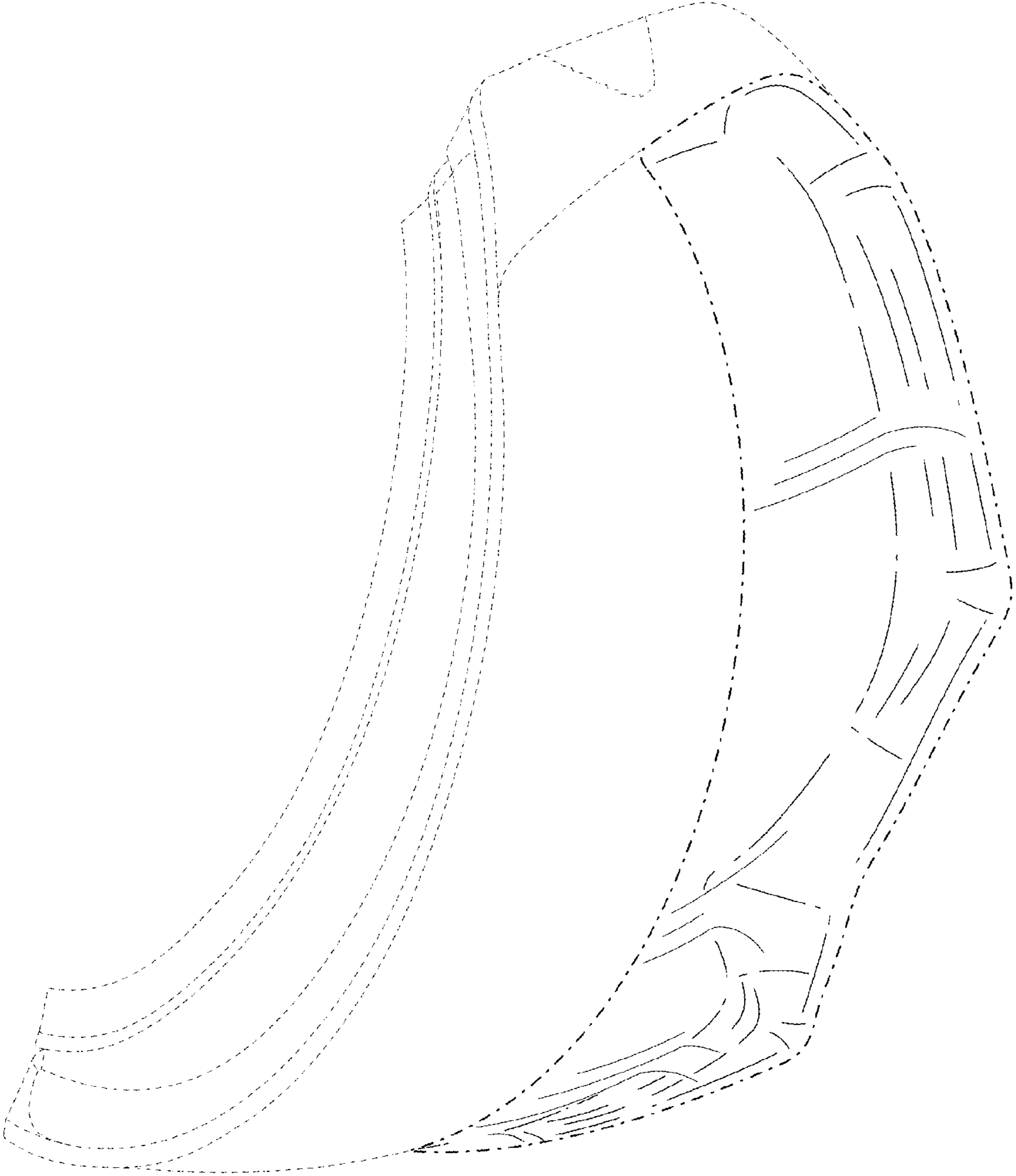


FIG. 2

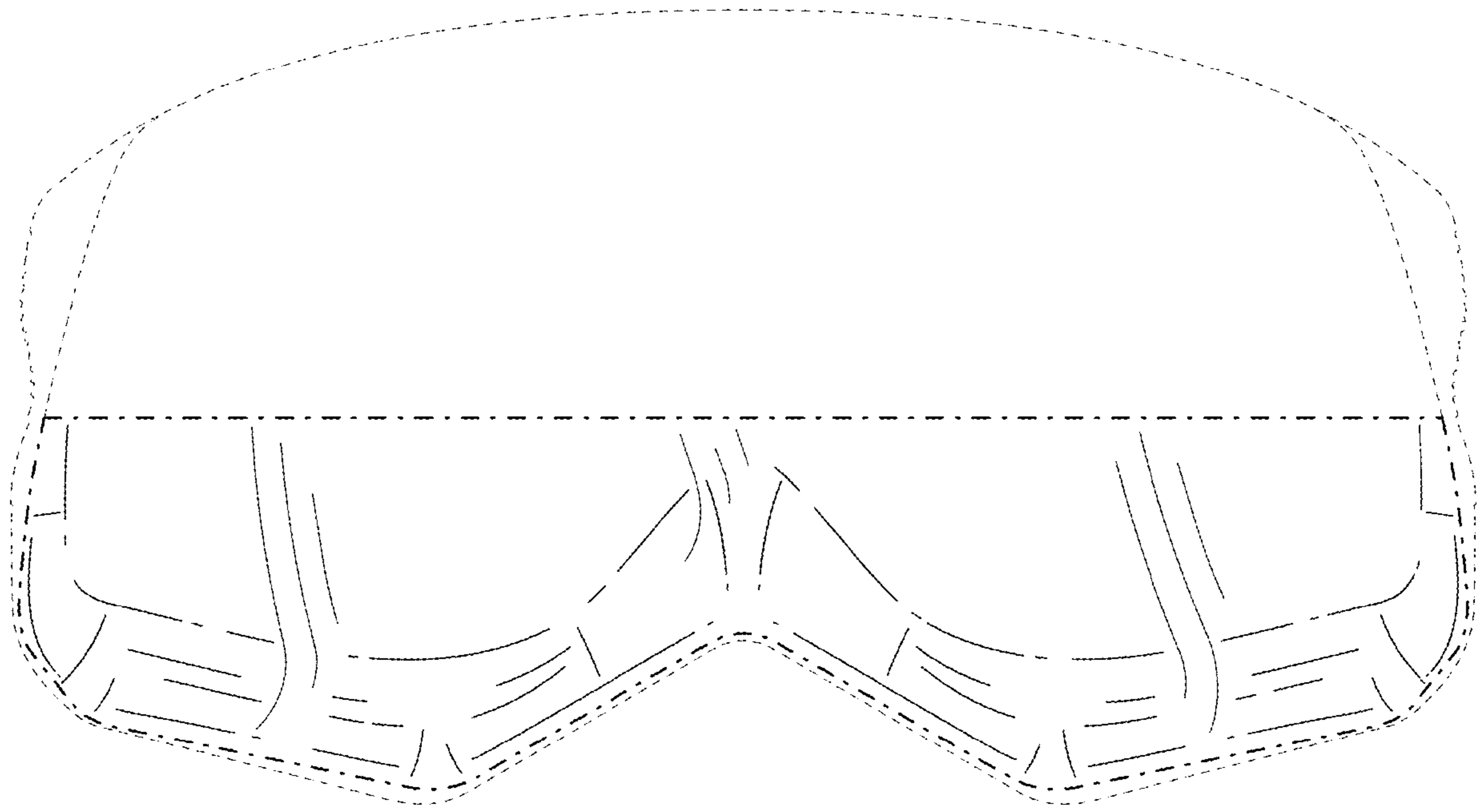


FIG. 3

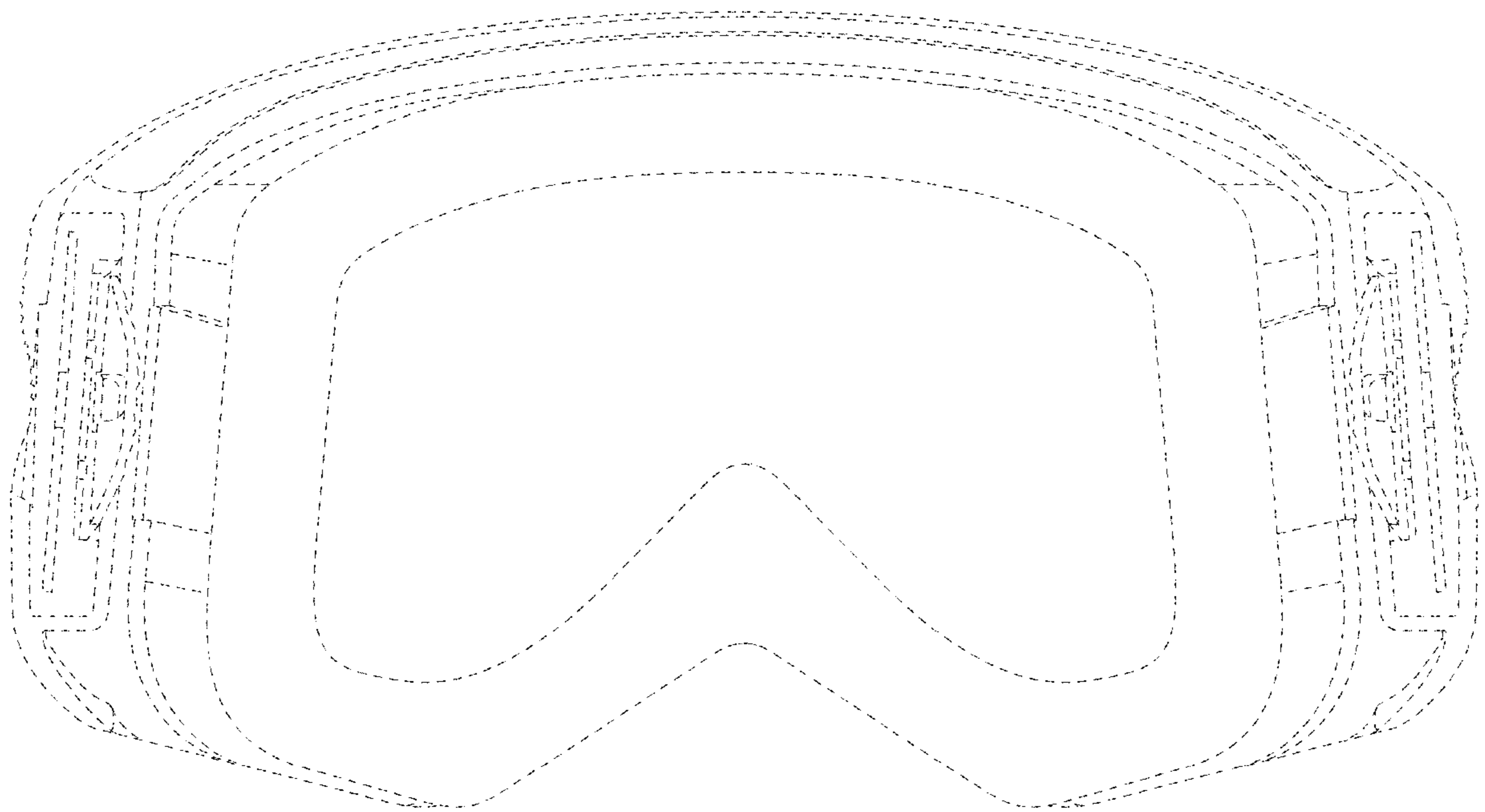


FIG. 4

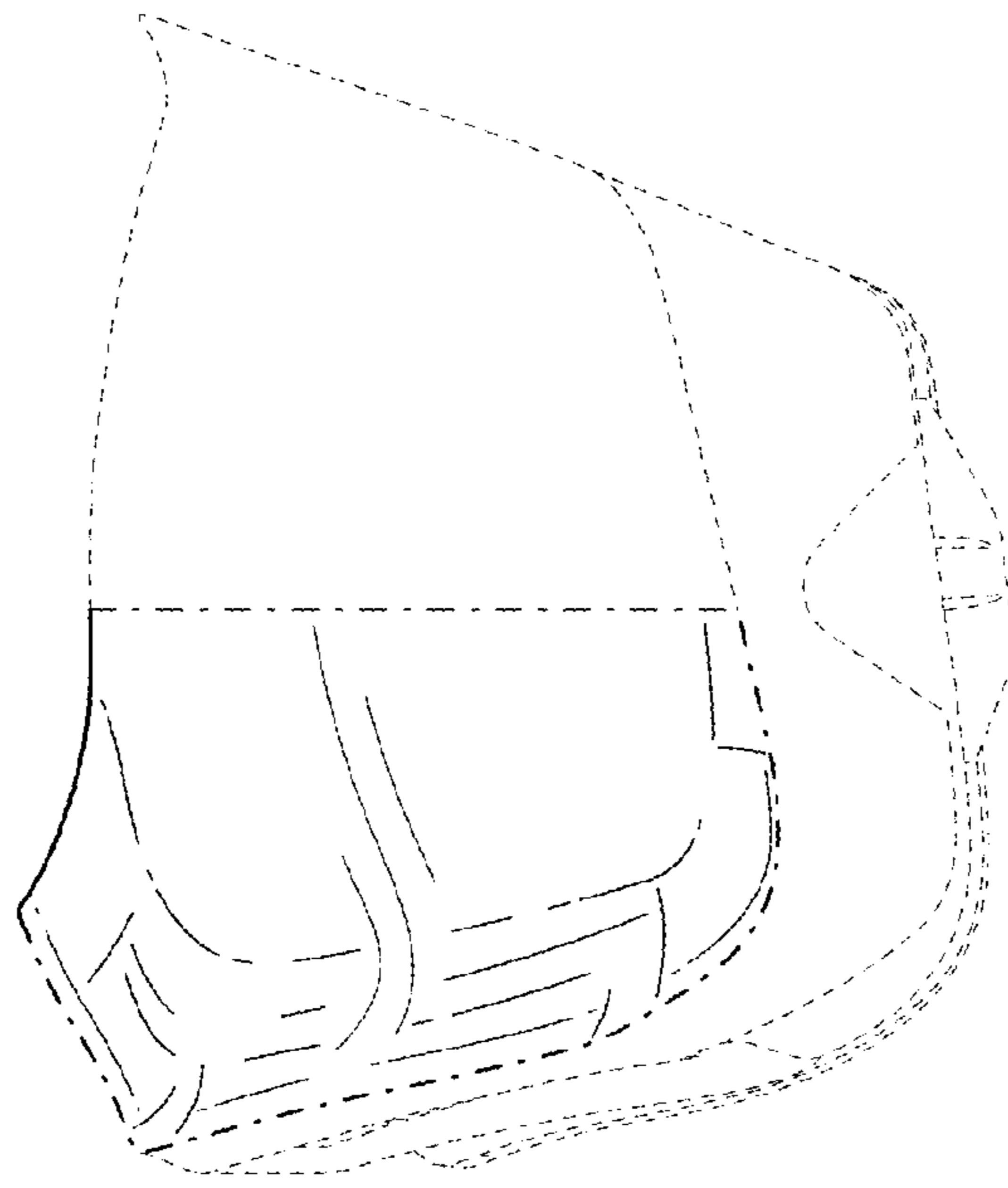


FIG. 5

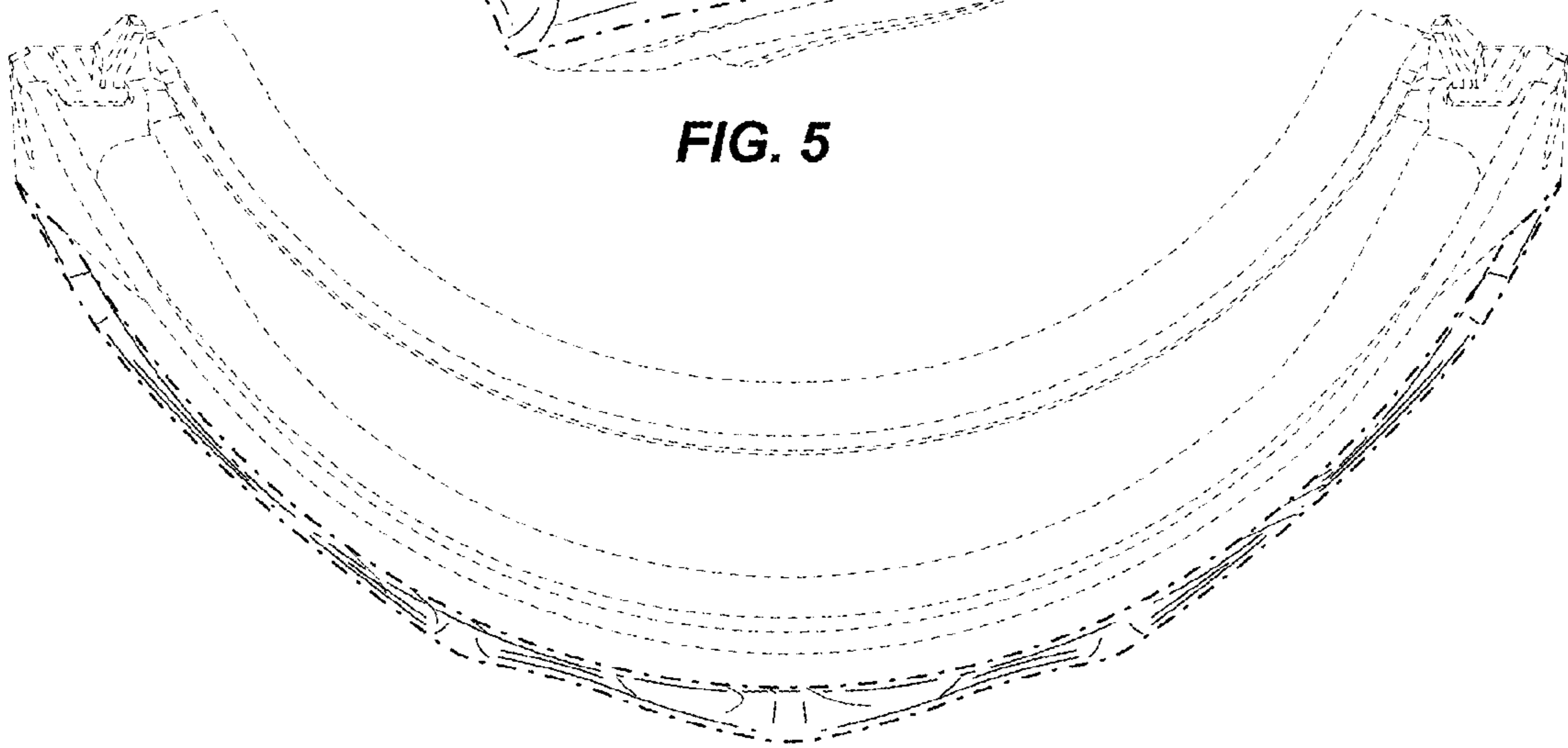


FIG. 6

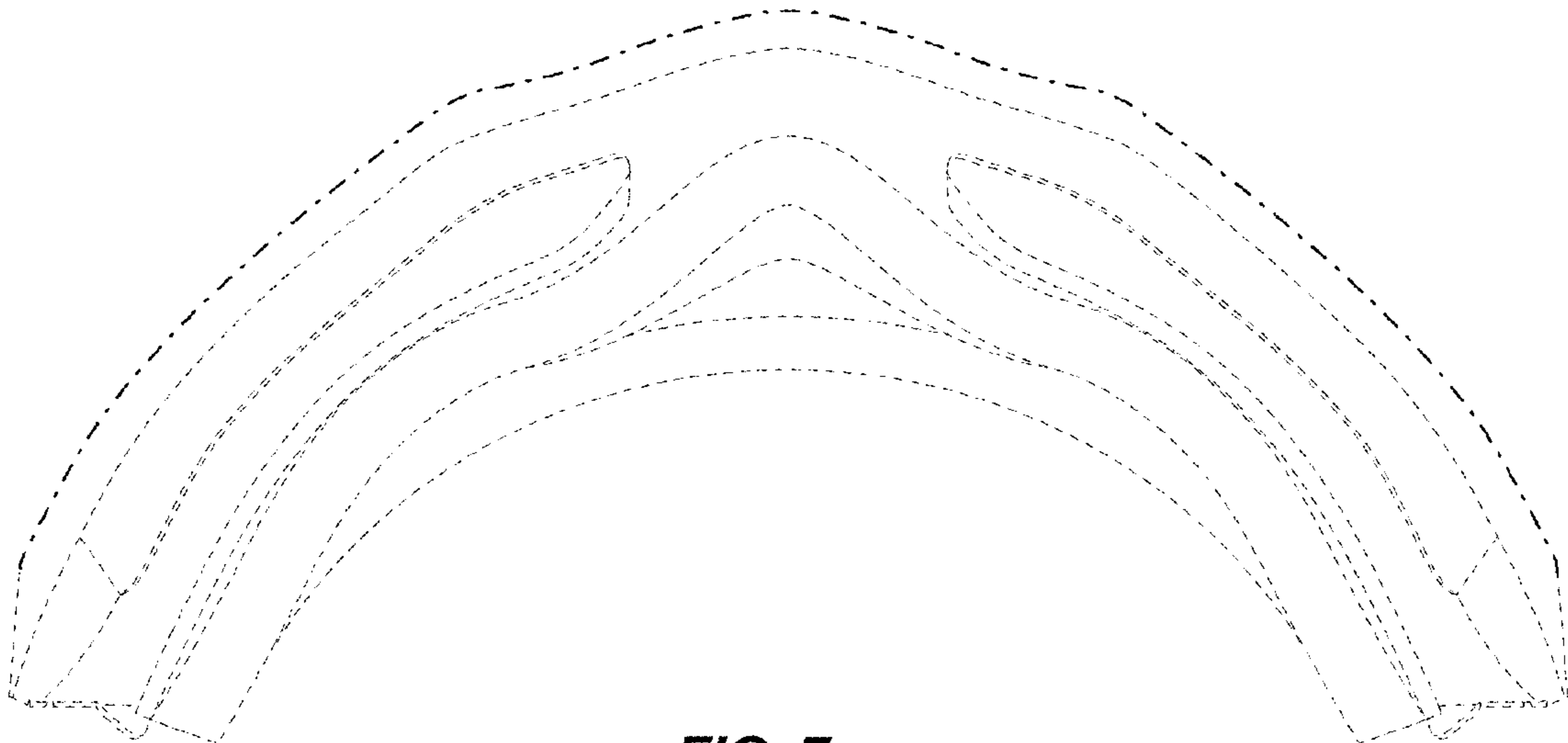


FIG. 7