



US00D918286S

(12) **United States Design Patent** (10) **Patent No.:** **US D918,286 S**
Lin (45) **Date of Patent:** **** May 4, 2021**

- (54) **TRIPOD**
- (71) Applicant: **HUMBOLDT TECHNOLOGY (HK) LIMITED**, Hongkong (HK)
- (72) Inventor: **Wuqiang Lin**, Shenzhen (CN)
- (**) Term: **15 Years**
- (21) Appl. No.: **29/749,728**
- (22) Filed: **Sep. 9, 2020**
- (51) **LOC (13) Cl.** **16-05**
- (52) **U.S. Cl.**
USPC **D16/244**
- (58) **Field of Classification Search**
USPC D16/219, 237-250; D8/303, 307, 354,
D8/355, 363, 373, 382-383, 394-396;
D14/224, 229, 238, 251, 253, 447, 451,
D14/457
CPC A45F 5/00; A45F 5/10; F16M 11/06-10;
F16M 11/14; G02B 7/00-002; G03B
17/56; G03B 17/561-566; H04N
5/2253-2254
See application file for complete search history.

- D866,648 S * 11/2019 Marcon D16/244
- D886,360 S * 6/2020 Xu D26/106
- D900,918 S * 11/2020 Zeng D16/244

OTHER PUBLICATIONS

Mini Tripod Tabletop Stand with Ballhead for mini Projector DSLR Digital Cameras Video Gopro Nikon Canon Sony by WOWOTO. [online] Retrieved Mar. 9, 2021 from URL: <https://www.amazon.com/Tabletop-Ballhead-Projector-Digital-WOWOTO/dp/B071NTQXNL>.*

(Continued)

Primary Examiner — Vy N Koenig

(57) **CLAIM**

The ornamental design for a tripod, as shown and described.

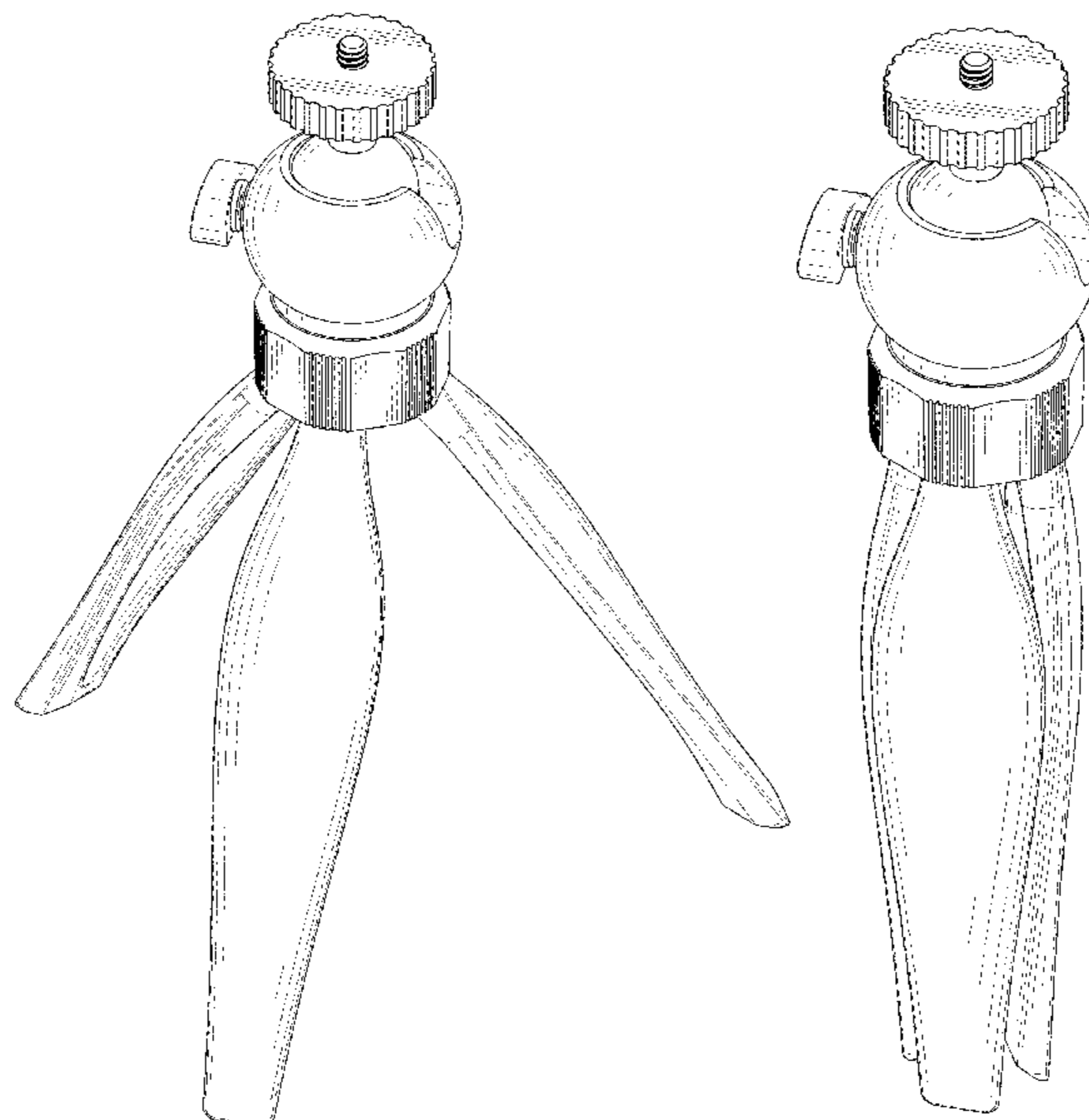
DESCRIPTION

FIG. 1 is a perspective view of a tripod showing my new design;
 FIG. 2 is a front view thereof;
 FIG. 3 is a back view thereof;
 FIG. 4 is a left side view thereof;
 FIG. 5 is a right side view thereof;
 FIG. 6 is a top view thereof;
 FIG. 7 is a bottom view thereof;
 FIG. 8 is a perspective view of another state of the tripod thereof;
 FIG. 9 is a front view of another state of the tripod;
 FIG. 10 is a back view thereof;
 FIG. 11 is a left side view thereof;
 FIG. 12 is a right side view thereof;
 FIG. 13 is a top view thereof; and,
 FIG. 14 is a bottom view thereof.

The broken lines shown in the drawings depict portions of the tripod in which the design is embodied that form no part of the claimed design.

- (56) **References Cited**
U.S. PATENT DOCUMENTS
- D533,578 S 12/2006 Oka
- D607,037 S 12/2009 Lee
- D706,333 S * 6/2014 Chun D16/244
- D718,365 S * 11/2014 Kim D16/244
- D739,456 S * 9/2015 Poli D16/244
- D794,699 S * 8/2017 Bin-Nun D16/244
- D835,705 S * 12/2018 Chun D16/244
- D836,156 S * 12/2018 Moon D16/244
- D840,465 S * 2/2019 Chun D16/244
- 10,247,353 B1 * 4/2019 Chen F16B 2/12
- D860,299 S 9/2019 Li et al.
- D865,039 S * 10/2019 Chen D16/242

1 Claim, 14 Drawing Sheets



(56)

References Cited

OTHER PUBLICATIONS

Amazon Basics Camera Mini Tripod, [online] Retrieved Mar. 9, 2021 from URL: <https://www.amazon.com/AmazonBasics-MT-03-Camera-Mini-Tripod/dp/B07P6PLH19>.*

Mini Tripod, LENS GO L322 Portable Cell Phone Tripod Tabletop Stand for Android iPhone Smartphone/Camera/GoPro . . . [online] Retrieved Mar. 9, 2021 from URL: <https://www.amazon.com/Premium-Tripod-Camera-Desktop-Compact/dp/B07RLPNRHF>.*

* cited by examiner

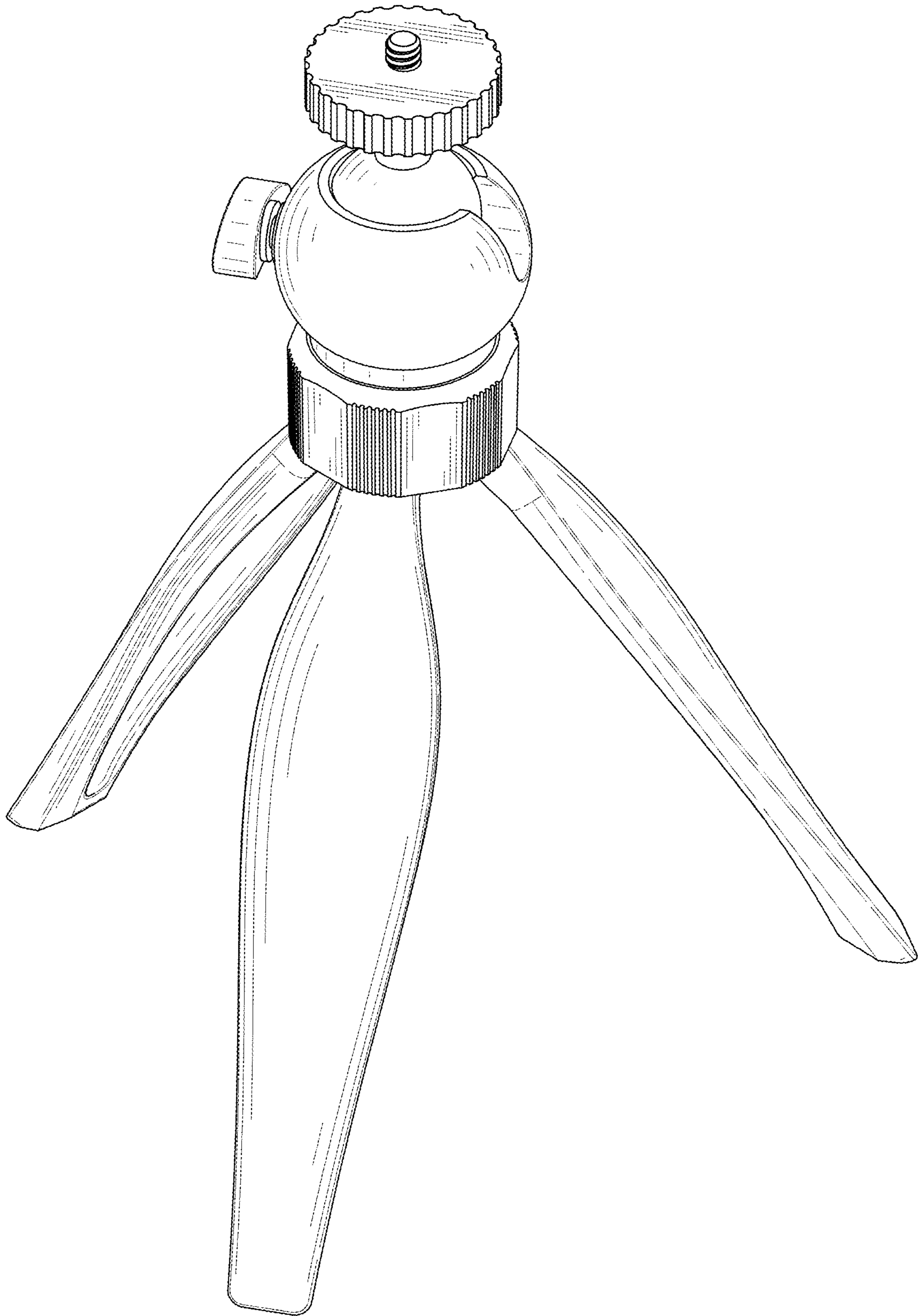


FIG. 1

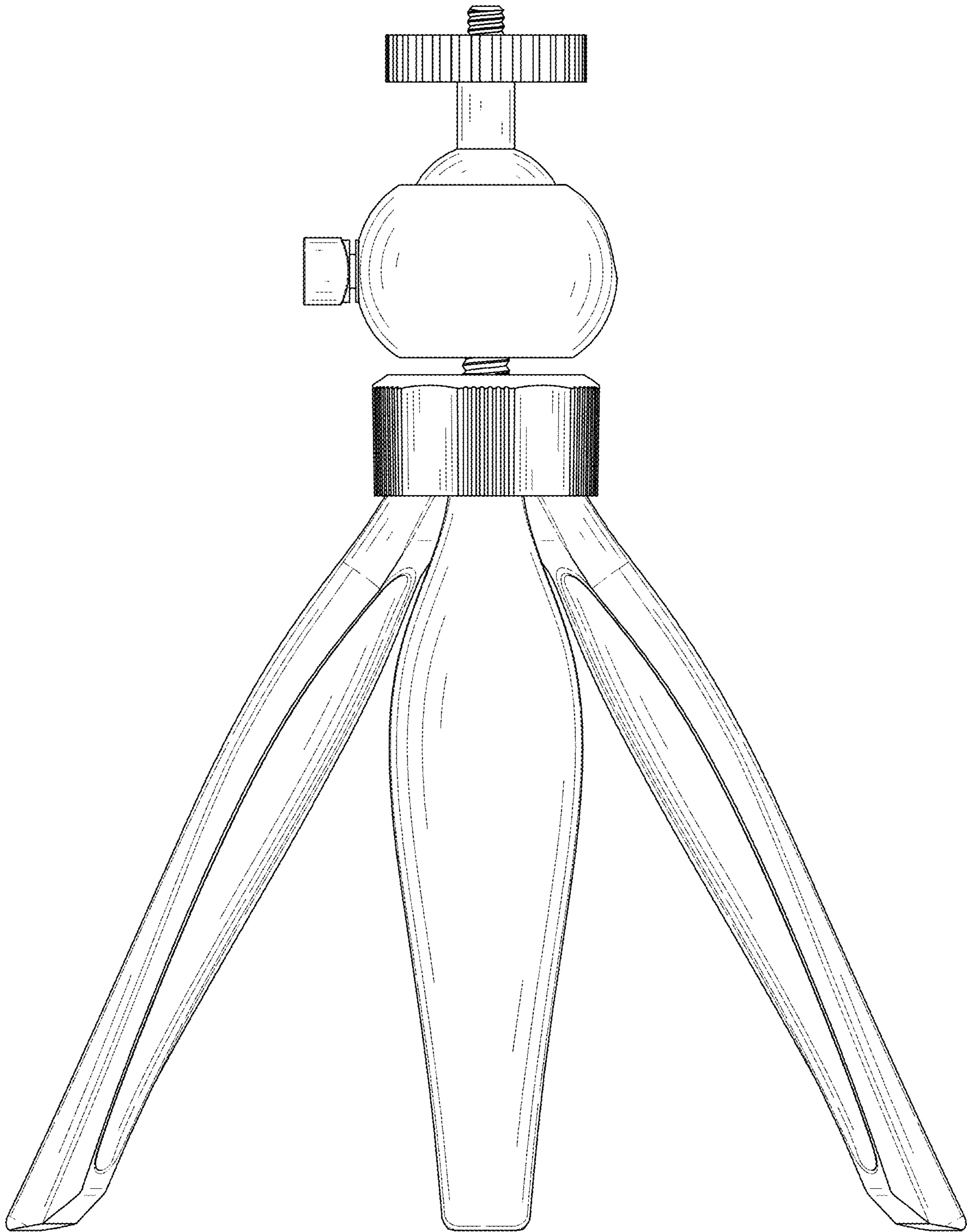


FIG. 2

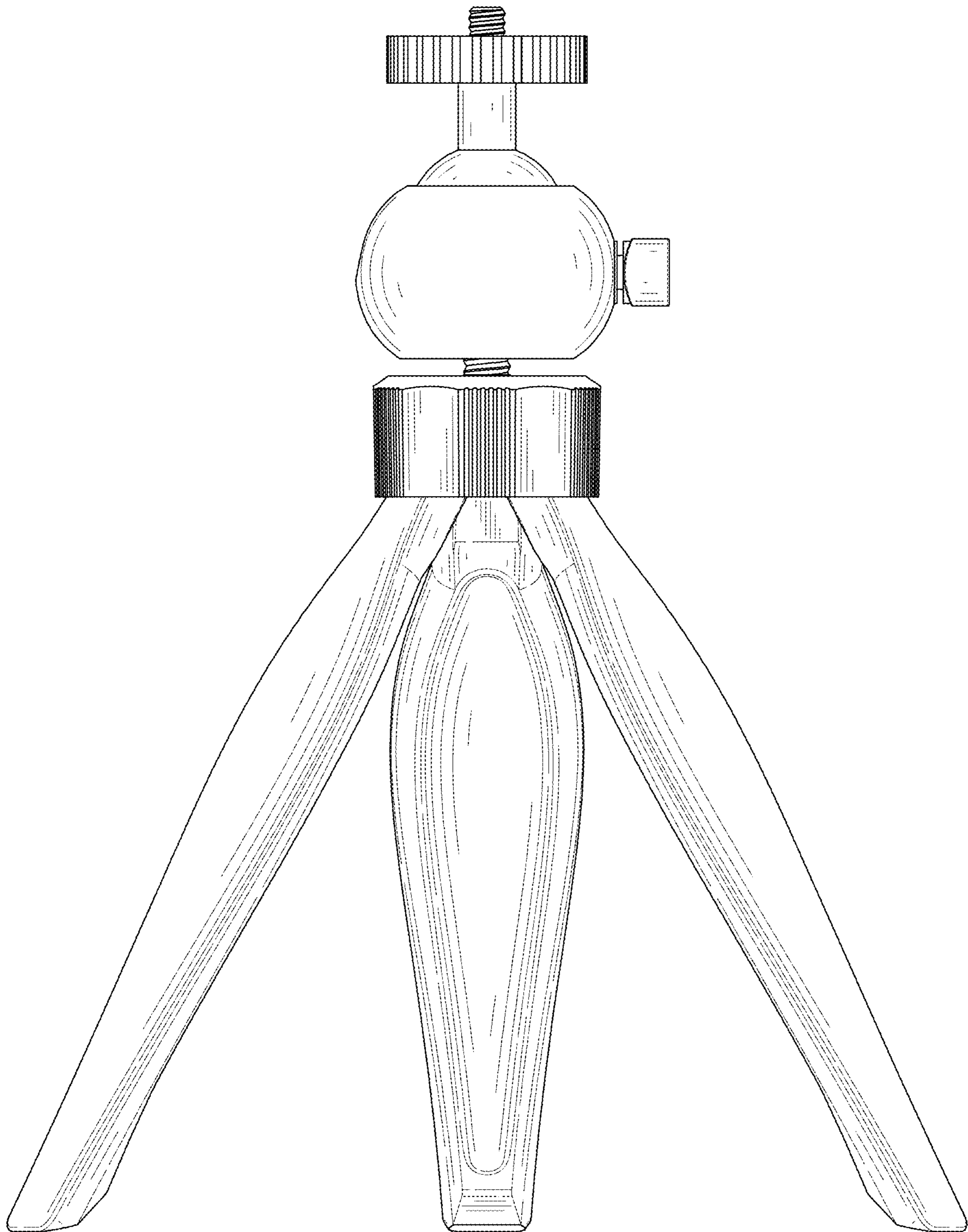


FIG. 3

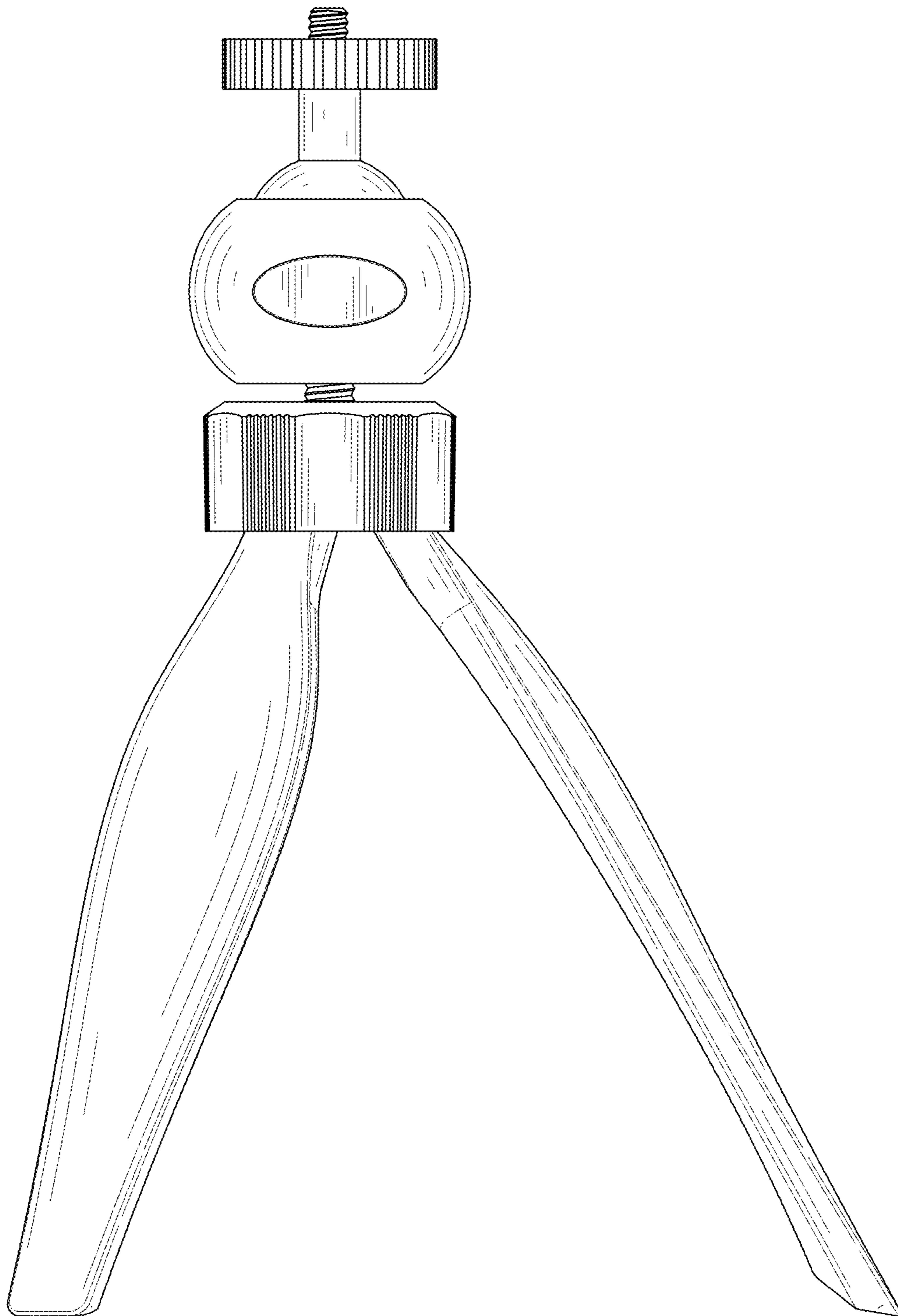


FIG. 4

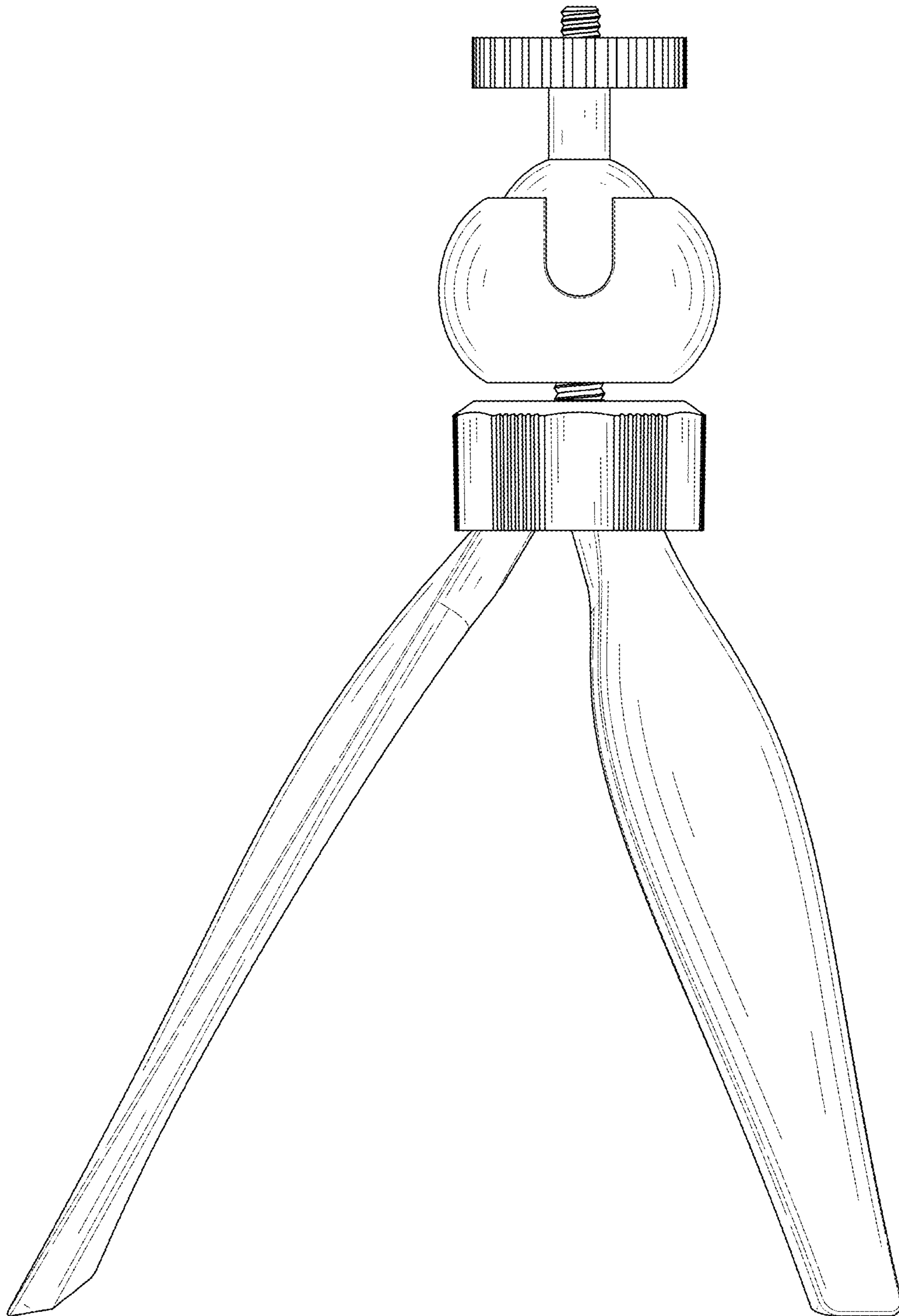


FIG. 5

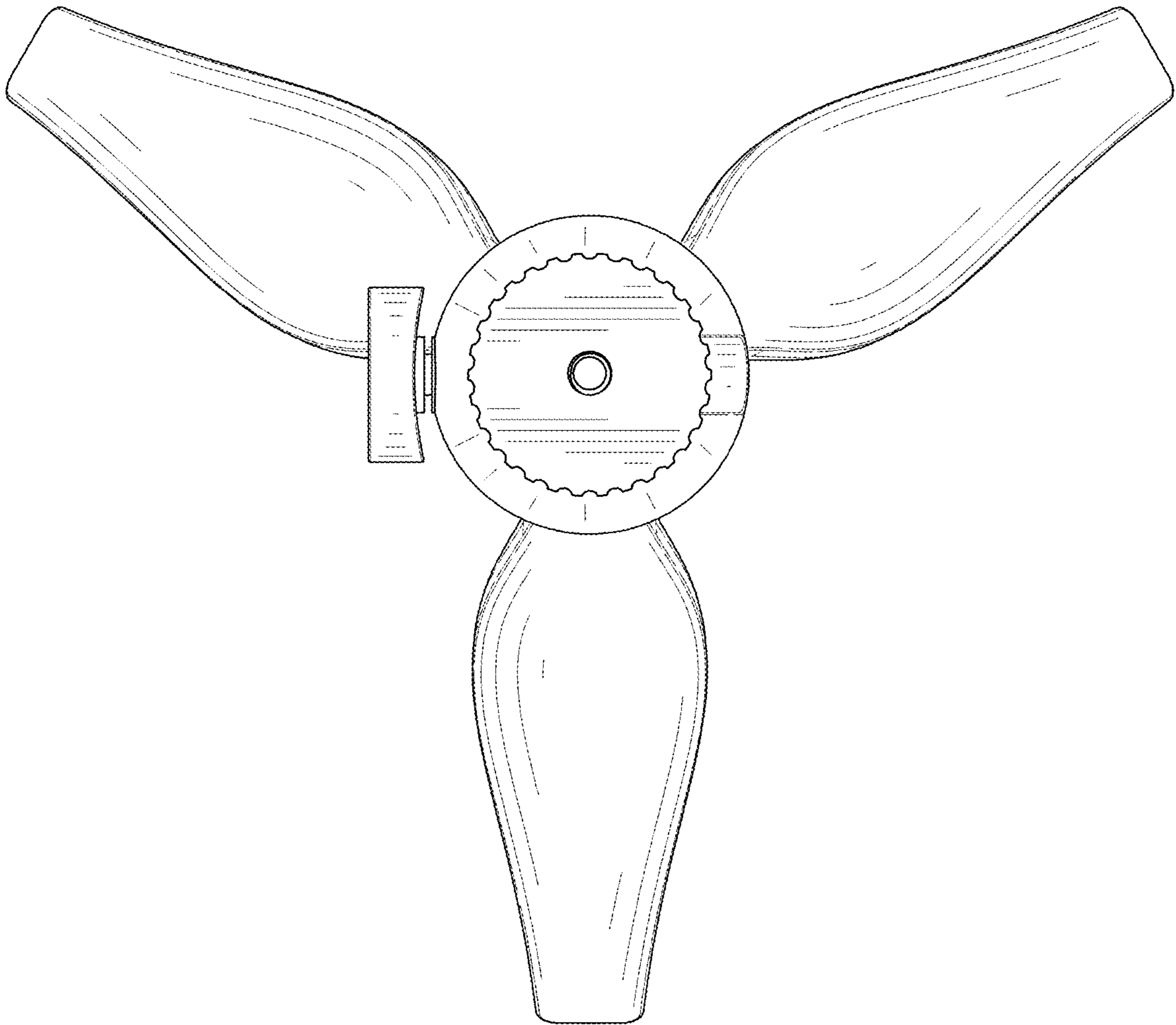


FIG. 6

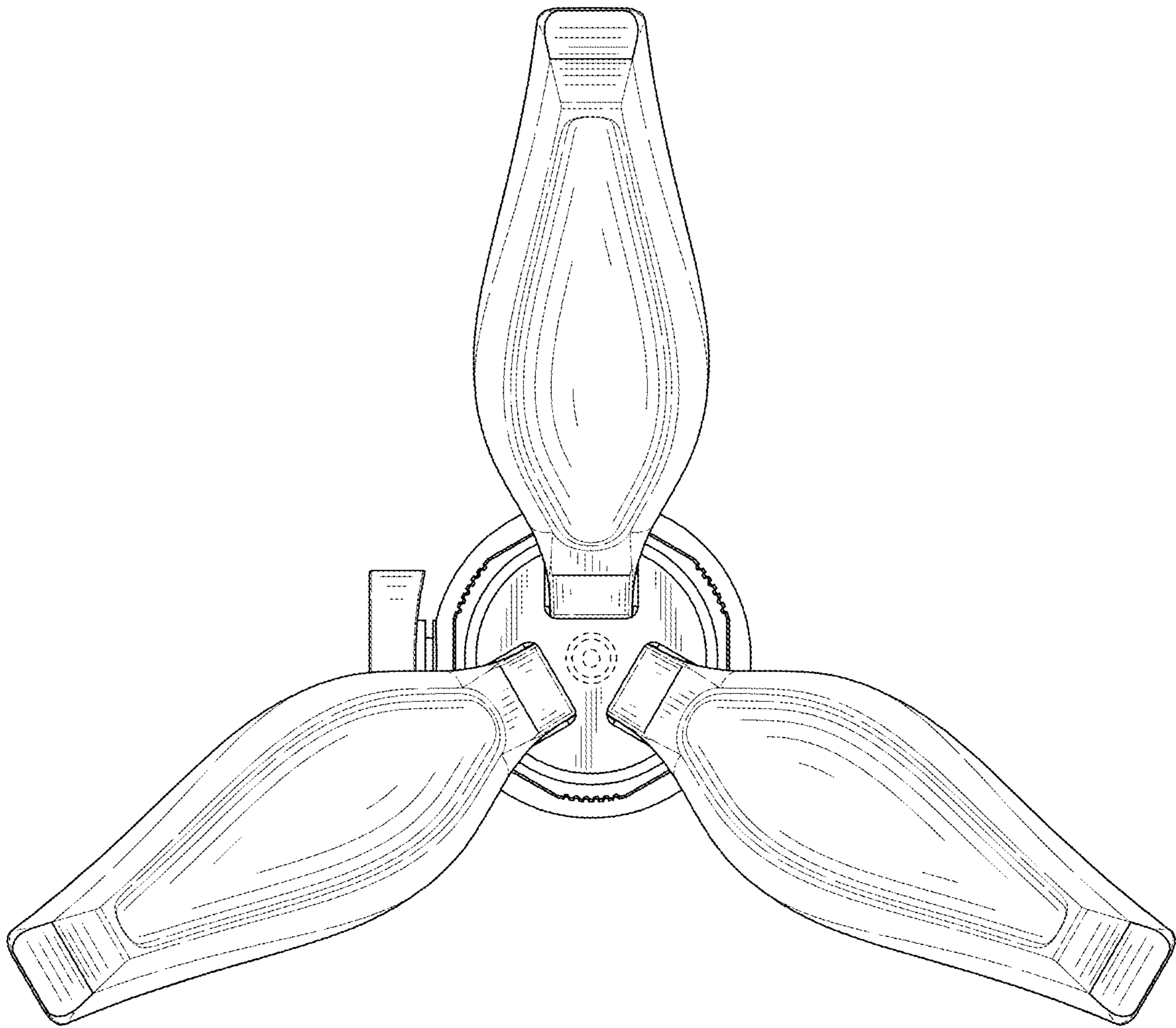


FIG. 7

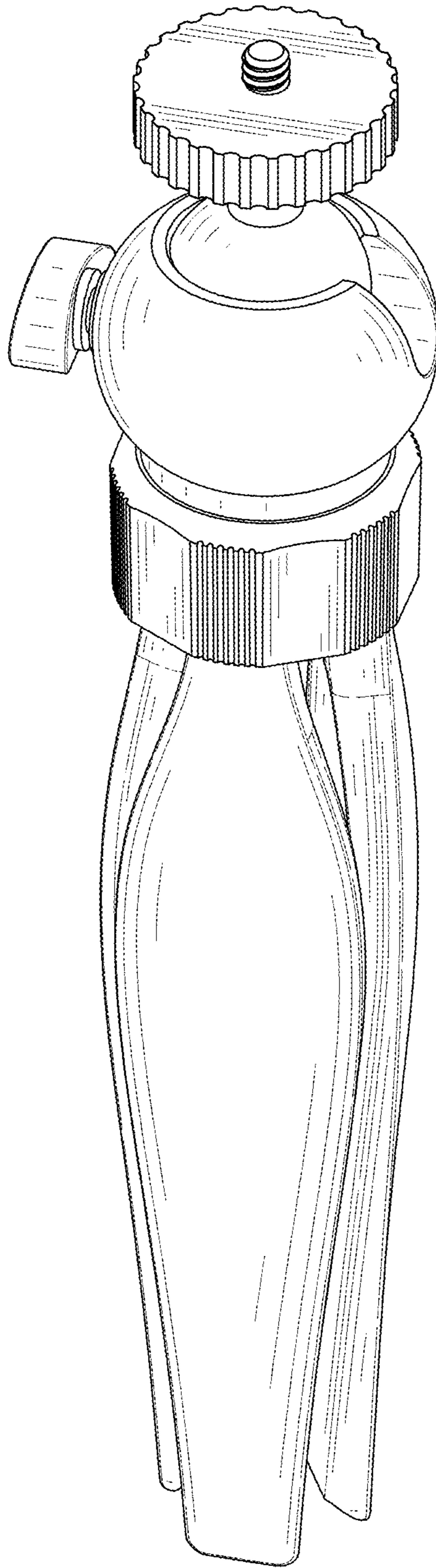


FIG. 8

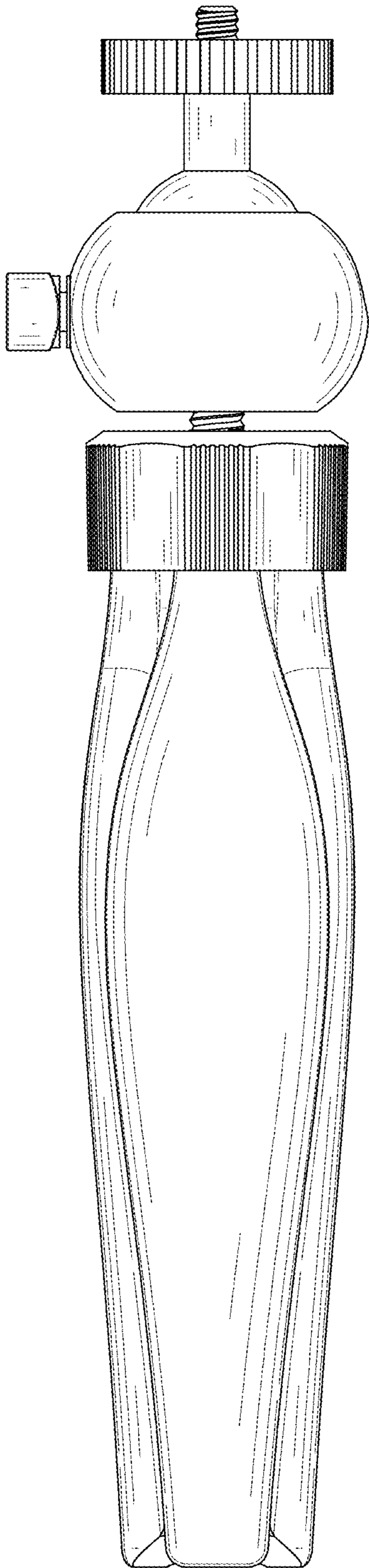


FIG. 9

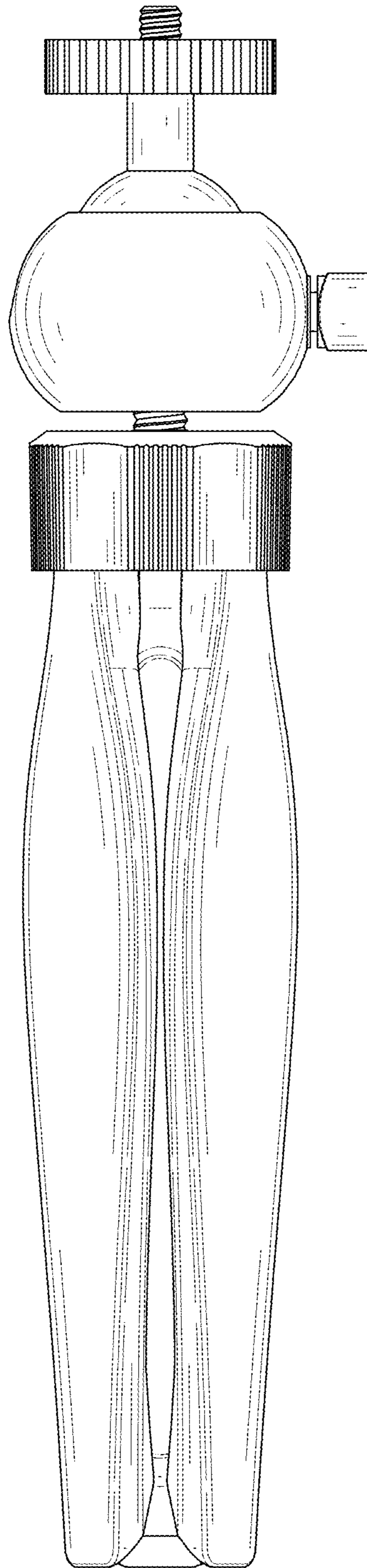


FIG. 10

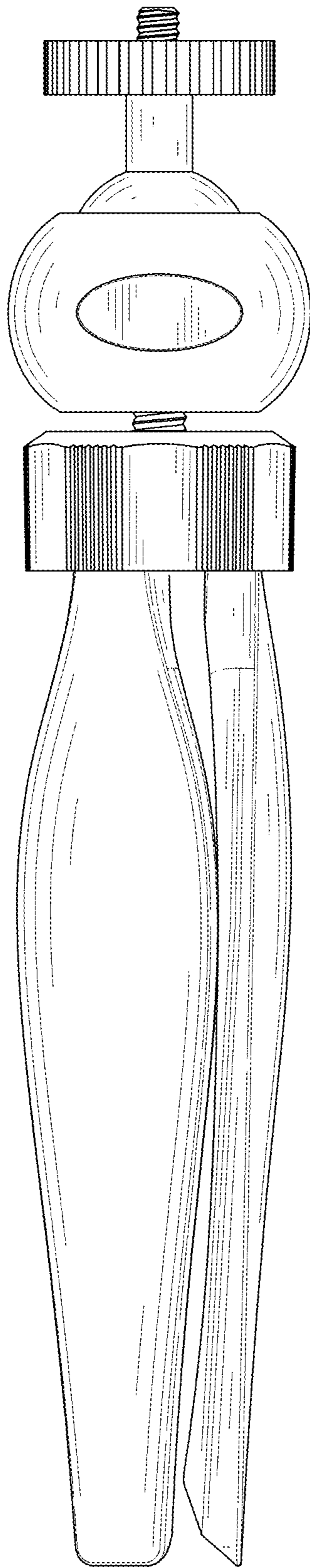


FIG. 11

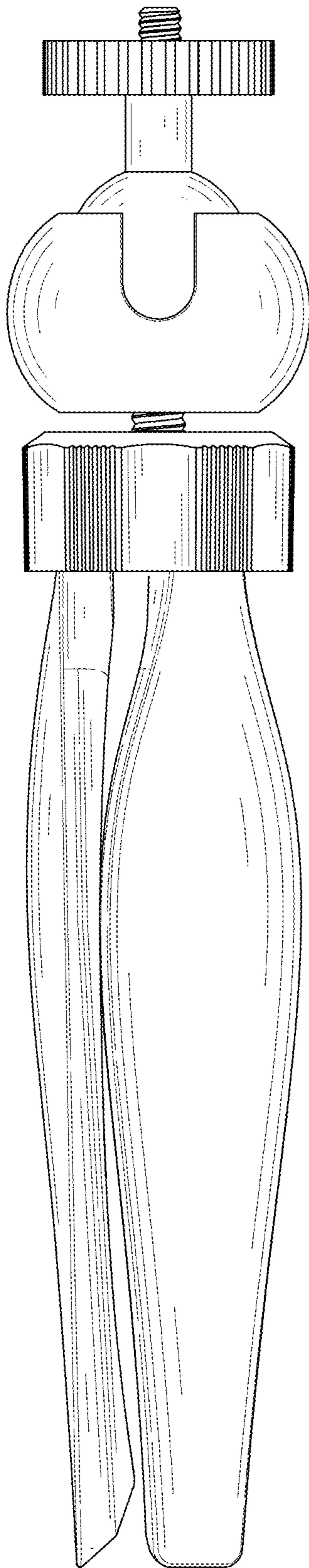


FIG. 12

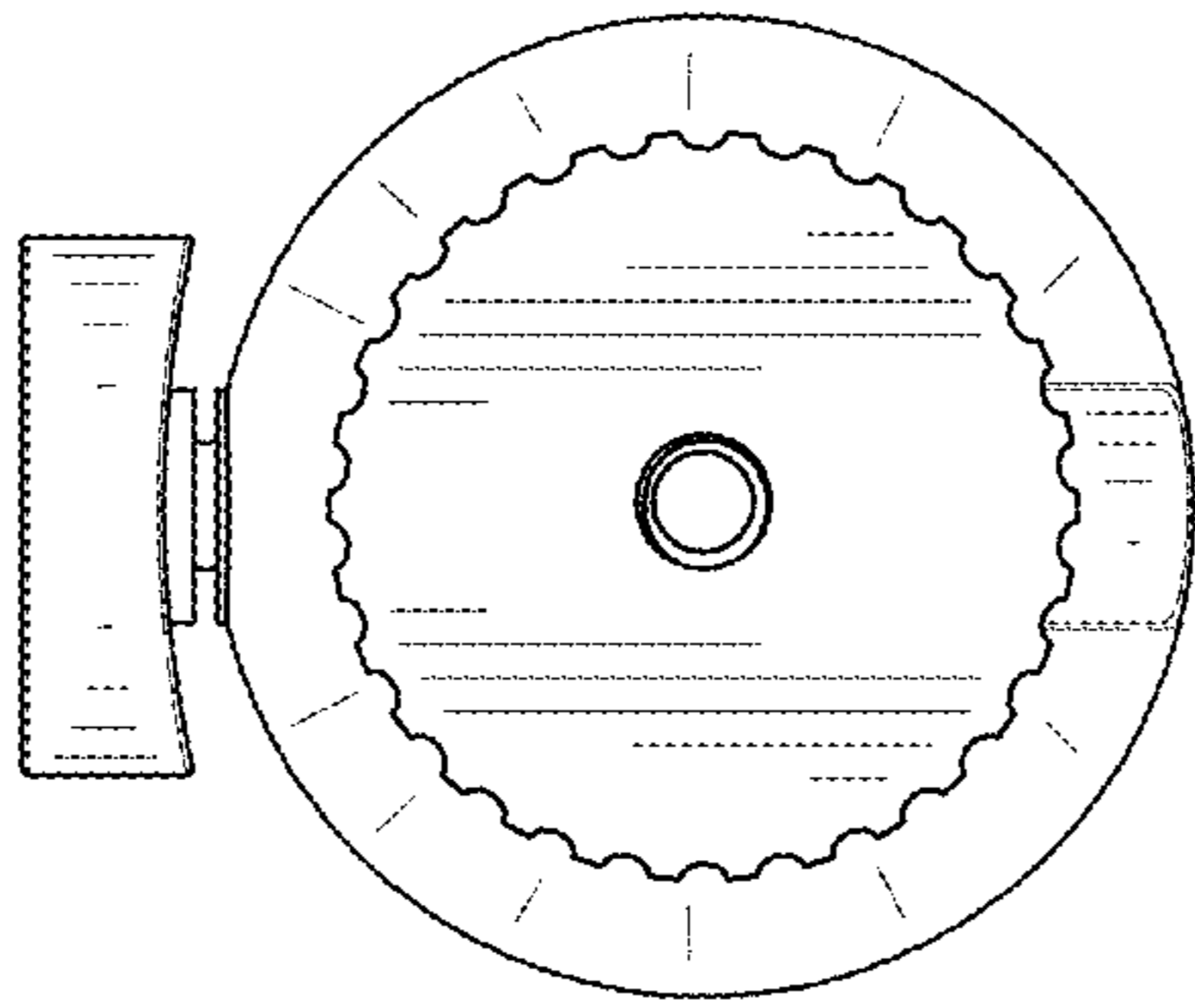


FIG. 13

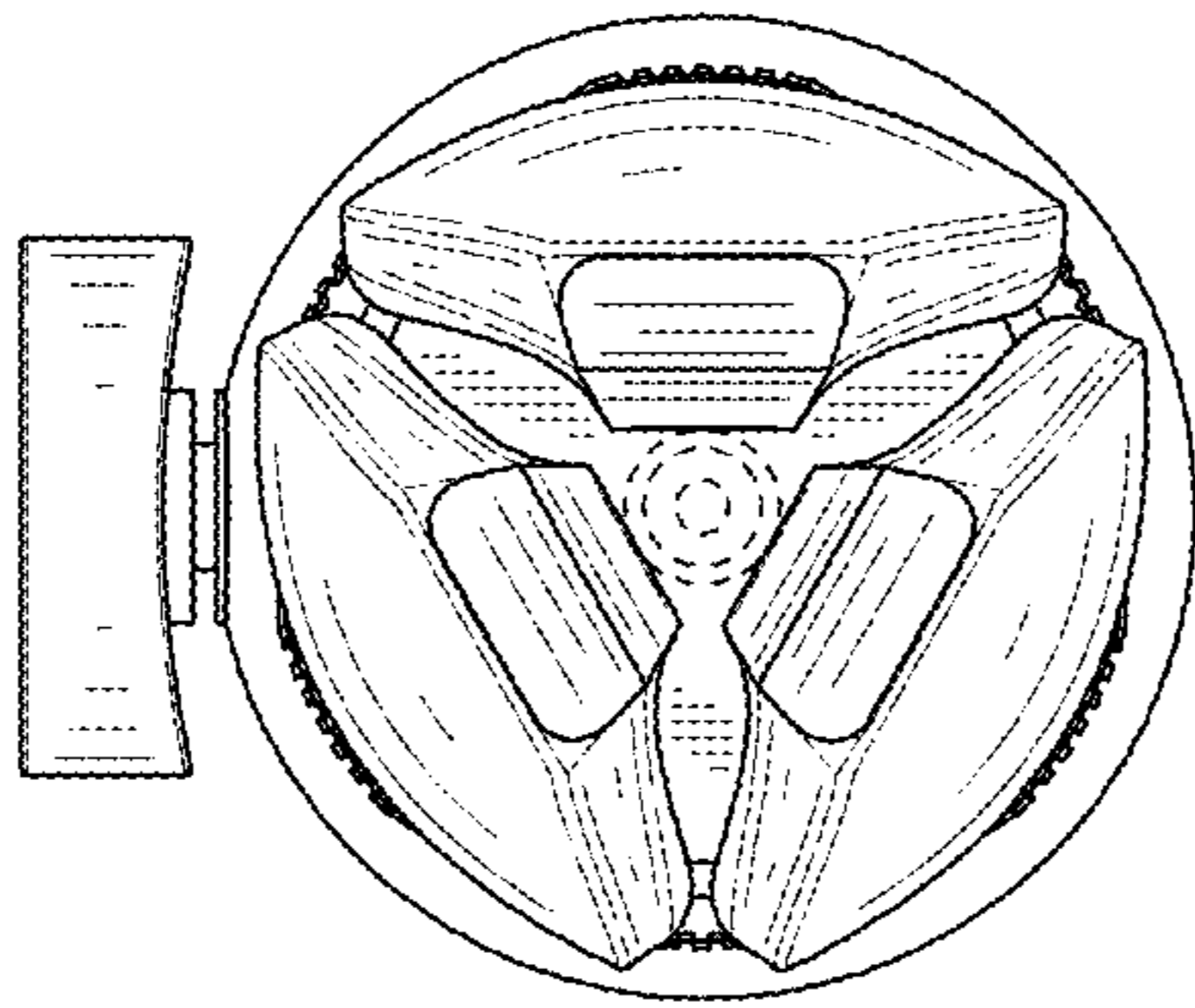


FIG. 14