



US00D918283S

(12) **United States Design Patent** (10) **Patent No.:** **US D918,283 S**  
**Barros et al.** (45) **Date of Patent:** **\*\* May 4, 2021**

(54) **CAMERA-ENABLED DEVICE CASE WITH AUXILIARY LENS FOR MOBILE PHOTOGRAPHY**

CPC ..... G03B 17/02; G03B 19/04; G03B 17/56; G03B 17/04; G03B 15/03; G03B 17/14; H04N 5/2251; H04N 5/2252; H04N 5/2253; H04N 5/2254; G02B 7/02; G02B 7/04; G02B 7/14

(71) Applicant: **Moment Inc**, Seattle, WA (US)

See application file for complete search history.

(72) Inventors: **Marc Barros**, Seattle, WA (US); **Erik Hedberg**, Sammamish, WA (US); **Josh Baxley**, Seattle, WA (US); **Amanda Kirk**, Seattle, WA (US); **Bradley G. Castaneda**, Puyallup, WA (US); **Zachary Reed**, Puyallup, WA (US); **Steve McCallion**, Portland, OR (US); **Wesley Glen Wirth**, Seattle, WA (US); **Robert John Lincoln**, Seattle, WA (US); **Russell Hudyma**, San Ramon, CA (US); **Michael Thomas**, Woburn, MA (US); **Eric Davis**, Bothell, WA (US); **Arash Ghorbani**, Auburn, CA (US)

(56) **References Cited**

U.S. PATENT DOCUMENTS

D678,379	S	*	3/2013	O'Neill	.....	D14/511
D697,958	S	*	1/2014	O'Neill	.....	D16/134
D727,385	S	*	4/2015	O'Neill	.....	D16/134
D730,967	S	*	6/2015	O'Neill	.....	D16/219
D730,968	S	*	6/2015	O'Neill	.....	D16/219
D730,969	S	*	6/2015	O'Neill	.....	D16/219

(Continued)

*Primary Examiner* — Ramzi S Almatrahi

(74) *Attorney, Agent, or Firm* — SF Bay Area Patents, LLC; Andrew V. Smith

(73) Assignee: **Moment Inc**, Seattle, WA (US)

(\*\*) Term: **15 Years**

(21) Appl. No.: **29/593,579**

(22) Filed: **Feb. 9, 2017**

**Related U.S. Application Data**

(63) Continuation of application No. 15/289,094, filed on Oct. 7, 2016, now Pat. No. 9,838,581, which is a continuation of application No. 14/624,573, filed on Feb. 17, 2015, now Pat. No. 9,467,608.

(51) **LOC (13) Cl.** ..... **16-01**

(52) **U.S. Cl.**  
USPC ..... **D16/200; D16/208**

(58) **Field of Classification Search**  
USPC ..... D16/130, 134, 136, 200, 202–205, 218, D16/219, 235, 237; D14/432, 433, 239, D14/483, 217, 484; 348/373–376; 359/826–828; 396/529–532, 535, 396/539–541

(57) **CLAIM**

The ornamental design for a camera-enabled device case with auxiliary lens for mobile photography, as shown and described.

**DESCRIPTION**

FIG. 1 is a bottom and rear perspective view of a camera-enabled device case with auxiliary lens for mobile photography;

FIG. 2 is a rear elevation view thereof;

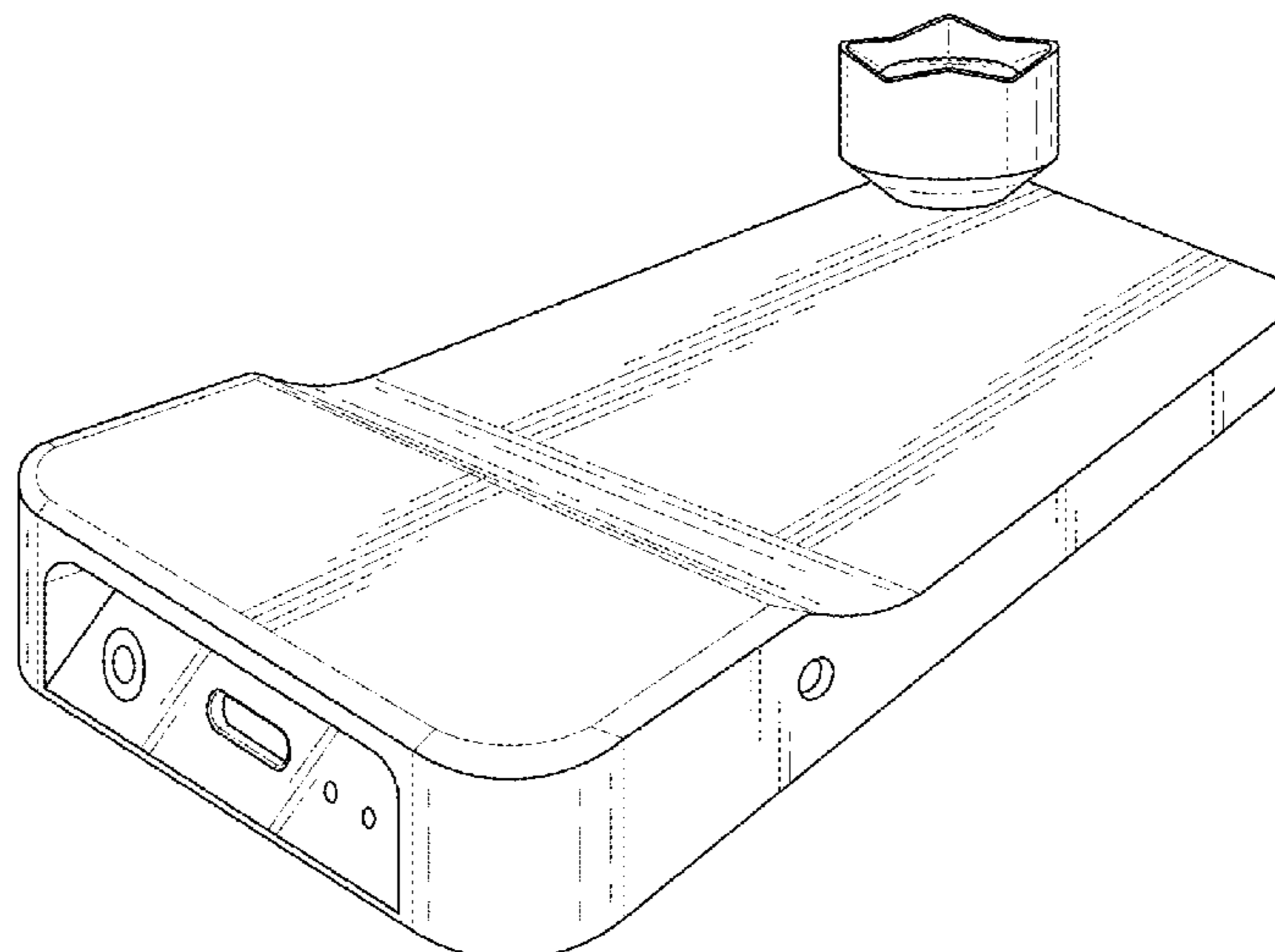
FIG. 3 is a left side elevation view thereof;

FIG. 4 is a right side elevation view thereof; and,

FIG. 5 is a bottom plan view thereof.

The broken lines depict portions of the camera-enabled device case with auxiliary lens for mobile photography in which the design is embodied that form no part of the claimed design.

**1 Claim, 5 Drawing Sheets**



(56)

**References Cited**

U.S. PATENT DOCUMENTS

D740,878	S *	10/2015	O'Neill	.....	D16/237
D741,938	S *	10/2015	Lee	.....	D16/219
9,294,660	B2 *	3/2016	O'Neill	.....	H04N 5/2254
9,454,066	B2 *	9/2016	O'Neill	.....	G03B 17/565
D792,497	S *	7/2017	Oliveira	.....	D16/208
2013/0002939	A1 *	1/2013	O'Neill	.....	G02B 7/14
					348/360
2014/0071547	A1 *	3/2014	O'Neill	.....	G02B 7/02
					359/827

\* cited by examiner

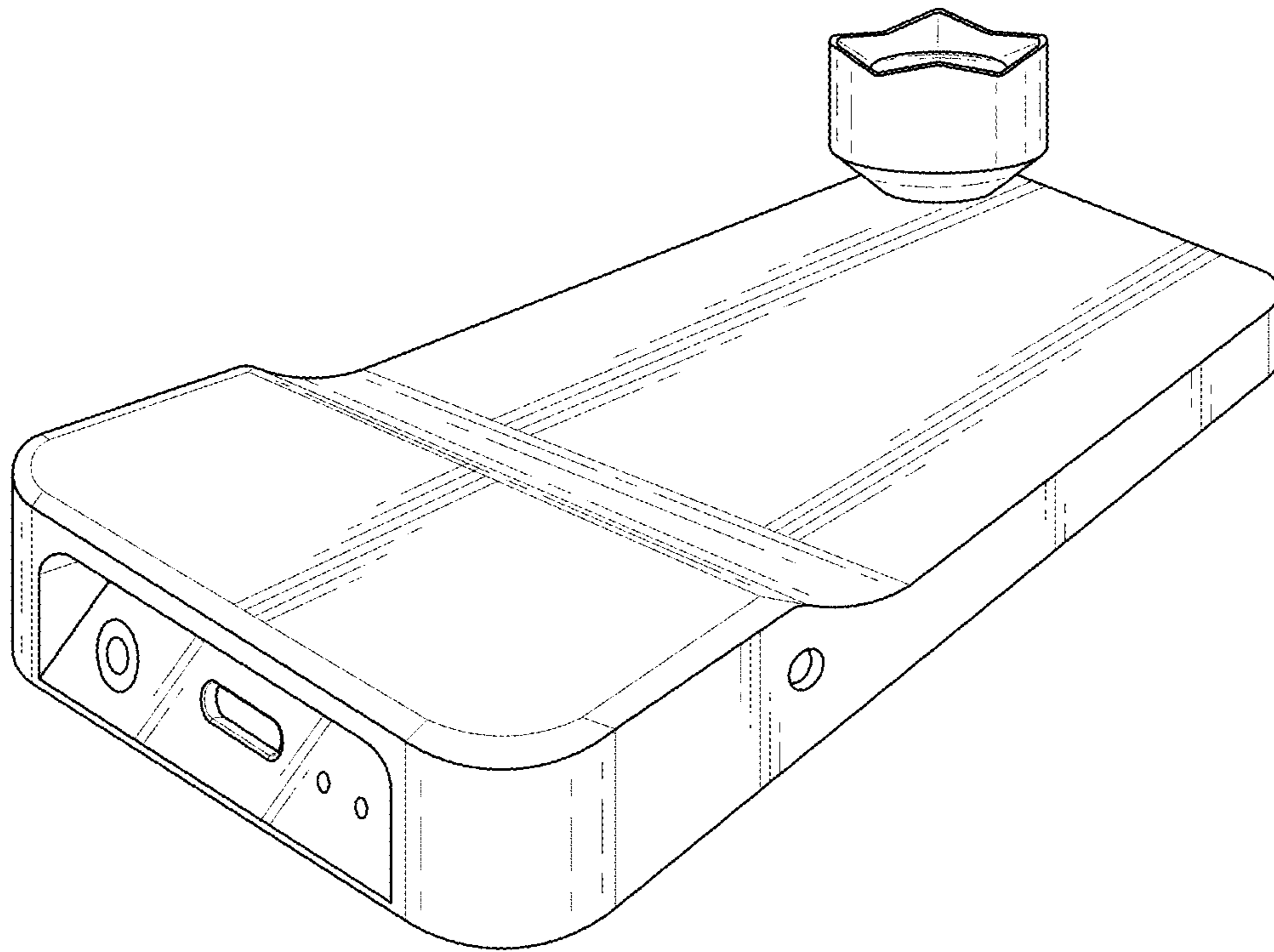


FIG. 1

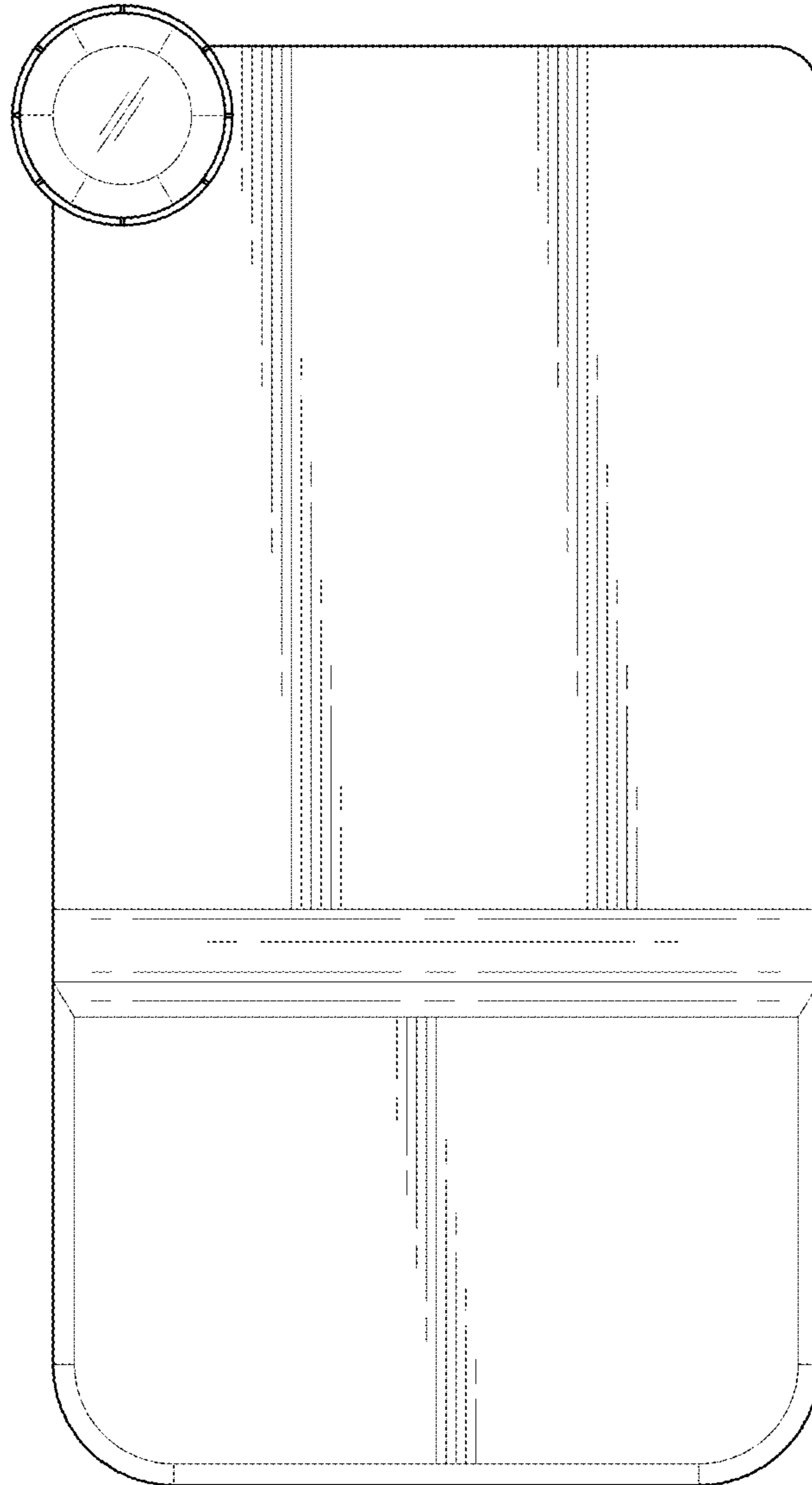


FIG. 2

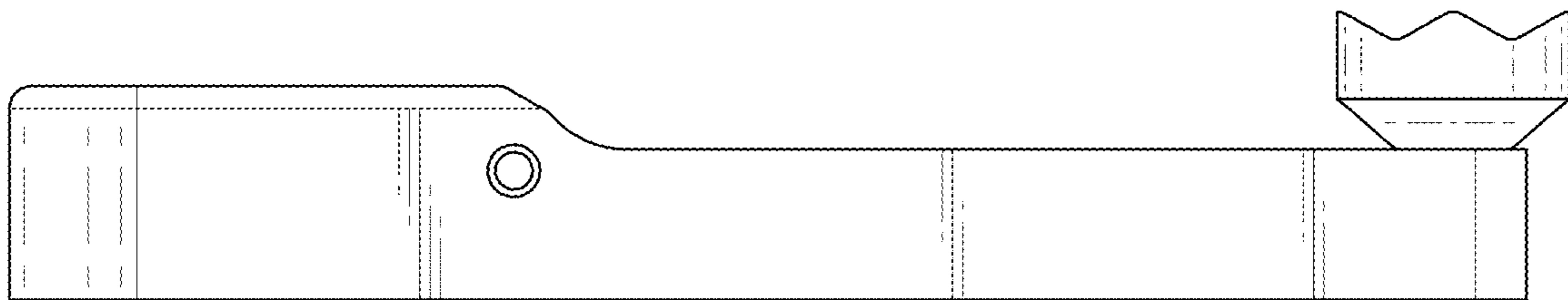


FIG. 3

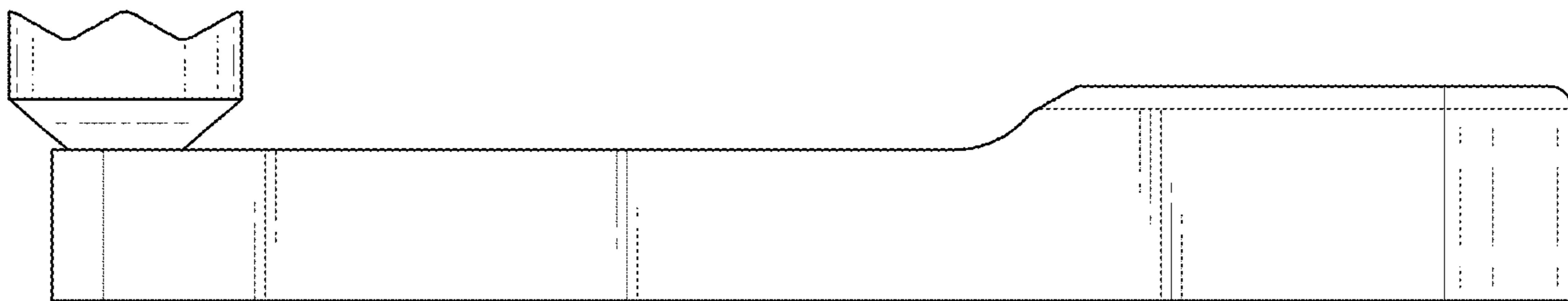


FIG. 4

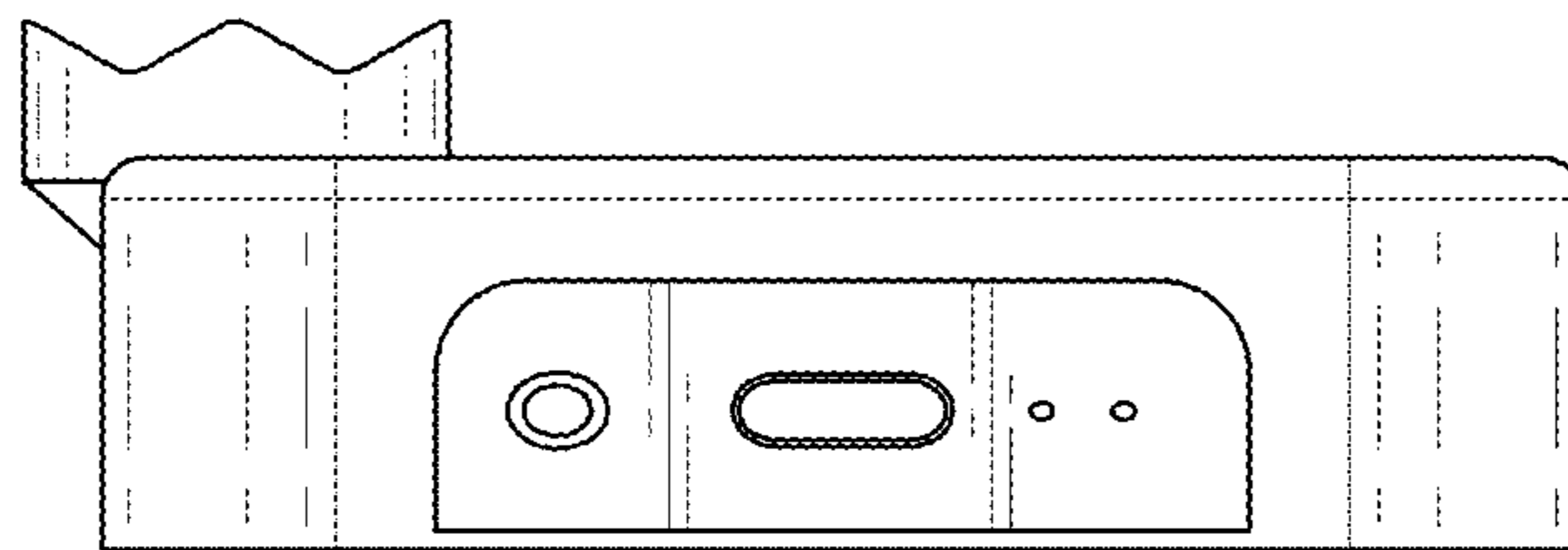


FIG. 5