



US00D918282S

(12) **United States Design Patent**
Gupta et al.

(10) **Patent No.:** **US D918,282 S**

(45) **Date of Patent:** **** May 4, 2021**

(54) **ROBOT**

(71) Applicant: **Evodyne Robotics Corporation,**
Mountain View, CA (US)

(72) Inventors: **Raghav Gupta,** Saratoga, CA (US); **Jie Schumacher,** Mountain View, CA (US); **Austin Edward Kerby,** Los Gatos, CA (US)

(73) Assignee: **Evodyne Robotics Corporation,**
Mountain View, CA (US)

(**) Term: **15 Years**

(21) Appl. No.: **29/718,766**

(22) Filed: **Dec. 27, 2019**

(51) **LOC (13) Cl.** **15-99**

(52) **U.S. Cl.**
USPC **D15/199**

(58) **Field of Classification Search**
USPC D6/691, 692; D15/122, 145, 146, 199;
D21/578-583; D32/21; D34/34
CPC B25J 9/046; B25J 9/042; B25J 9/06; B65B
57/04; B65B 2210/12; H01L 21/67766
See application file for complete search history.

(56) **References Cited**

U.S. PATENT DOCUMENTS

D269,681 S *	7/1983	Morser	D15/122
D293,449 S *	12/1987	Kaufmann	D15/122
D296,790 S *	7/1988	Tsuburaya	D15/122
D350,247 S *	9/1994	Buske	D21/522
D358,511 S *	5/1995	Frahm	D21/522
D455,163 S *	4/2002	Kawaguchi	D15/199

D554,226 S *	10/2007	Blum	D21/815
D651,627 S *	1/2012	Long	D15/199
8,528,489 B2 *	9/2013	Roy	A47B 13/003 108/125
8,537,346 B2 *	9/2013	Nakagiri	B25J 9/1692 356/139.07
D712,447 S *	9/2014	He	D15/199
D764,557 S *	8/2016	Yamada	D15/199
D868,129 S *	11/2019	Bogart	D15/199
D877,223 S *	3/2020	Abe	D15/199
D883,352 S *	5/2020	Abe	D15/199
2016/0107317 A1 *	4/2016	Hashimoto	B25J 15/0014 414/744.2
2016/0327383 A1 *	11/2016	Becker	G01B 11/005

* cited by examiner

Primary Examiner — Patricia A Palasik

(74) *Attorney, Agent, or Firm* — Daylight Law, P.C.

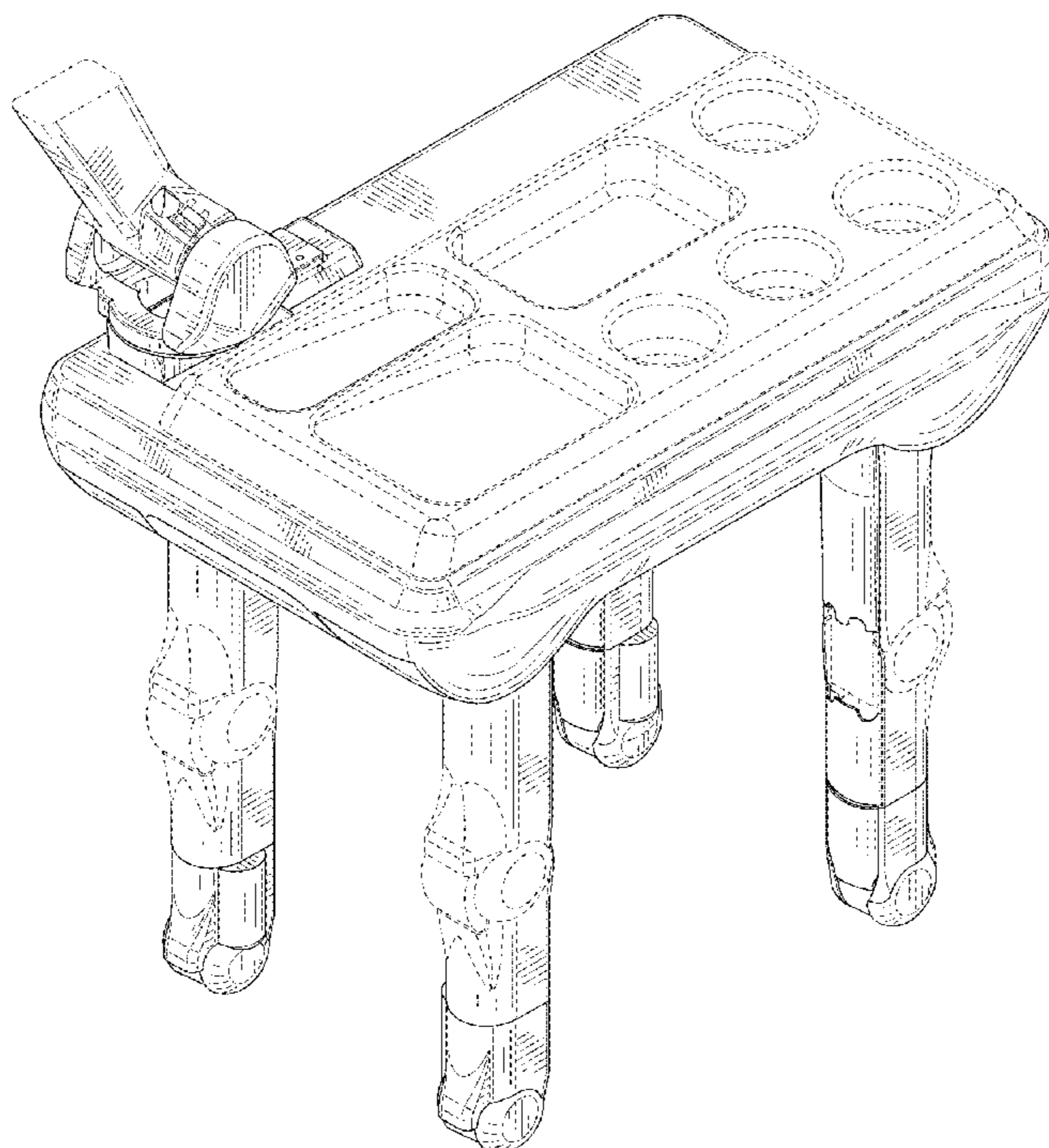
(57) **CLAIM**

The ornamental design for a robot, as shown and described.

DESCRIPTION

FIG. 1 is a top-right perspective view of a robot showing our new design;
FIG. 2 is a front view thereof;
FIG. 3 is a back view thereof;
FIG. 4 is a right-side view thereof;
FIG. 5 is a left-side view thereof;
FIG. 6 is a top view thereof;
FIG. 7 is a bottom view thereof;
FIG. 8 is a back-left perspective view thereof; and,
FIG. 9 is a front-left perspective view thereof.
The broken lines in FIGS. 1-9 depict portions of the robot that form no part of the claimed design.

1 Claim, 9 Drawing Sheets



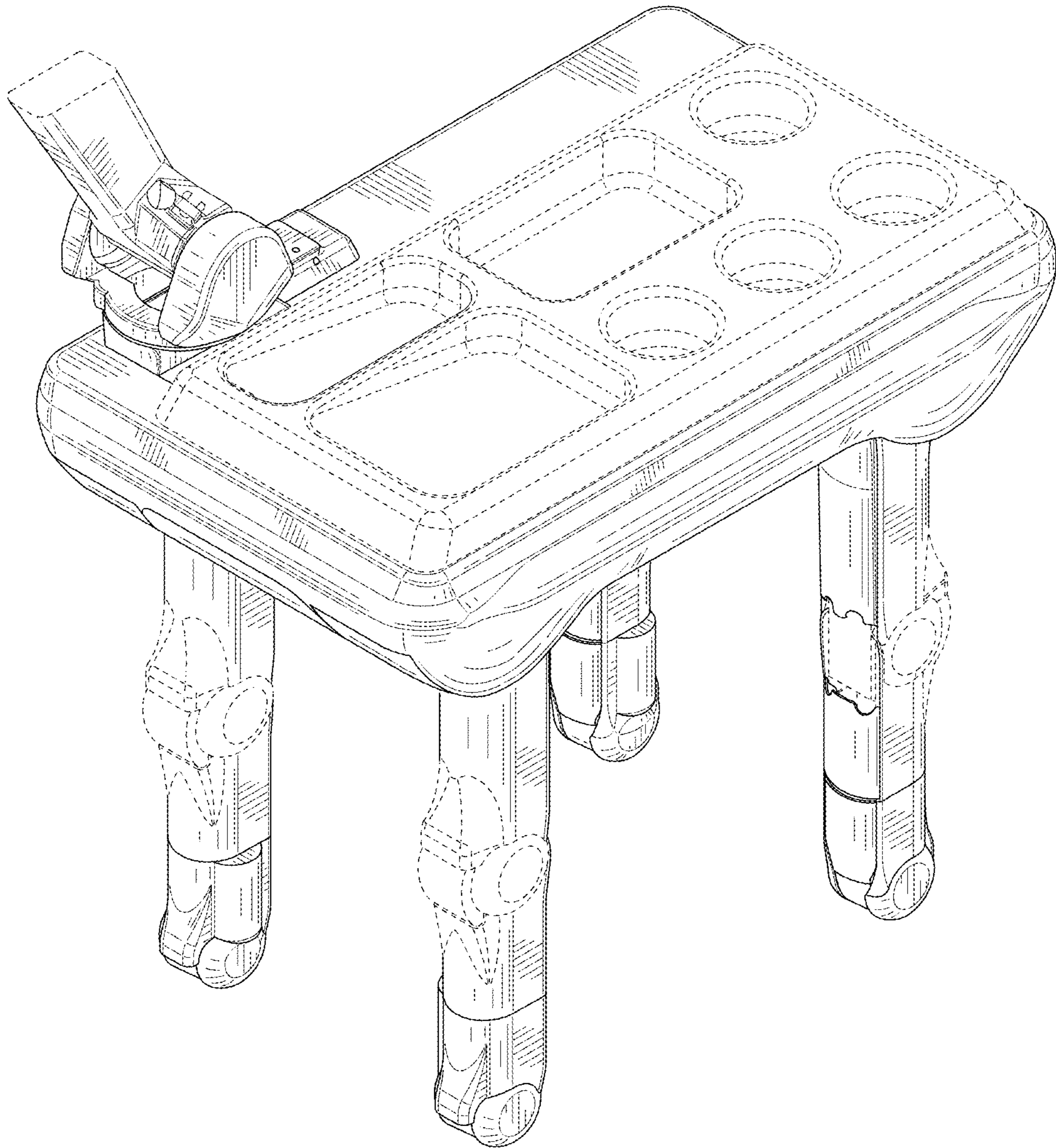


FIG. 1

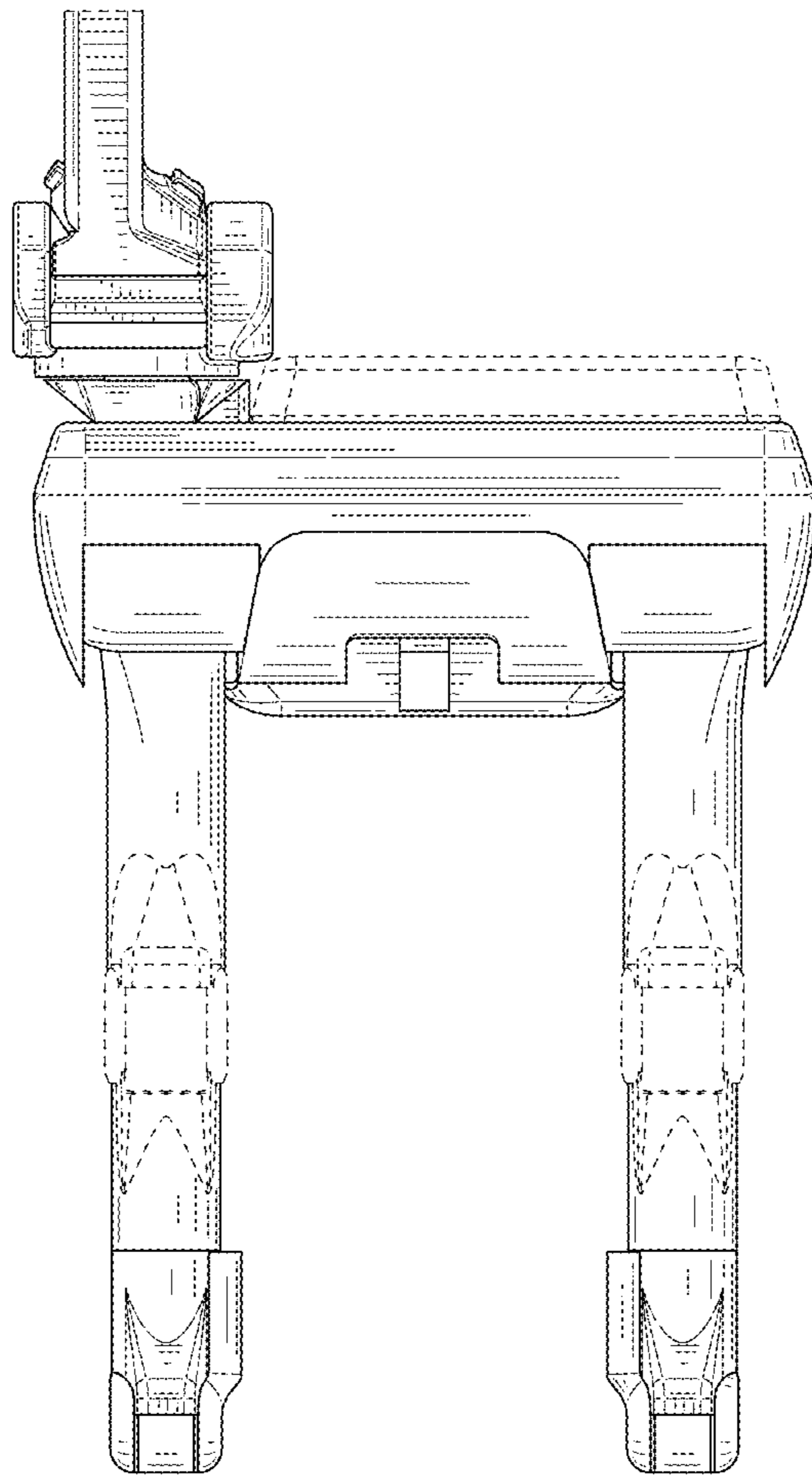


FIG. 2

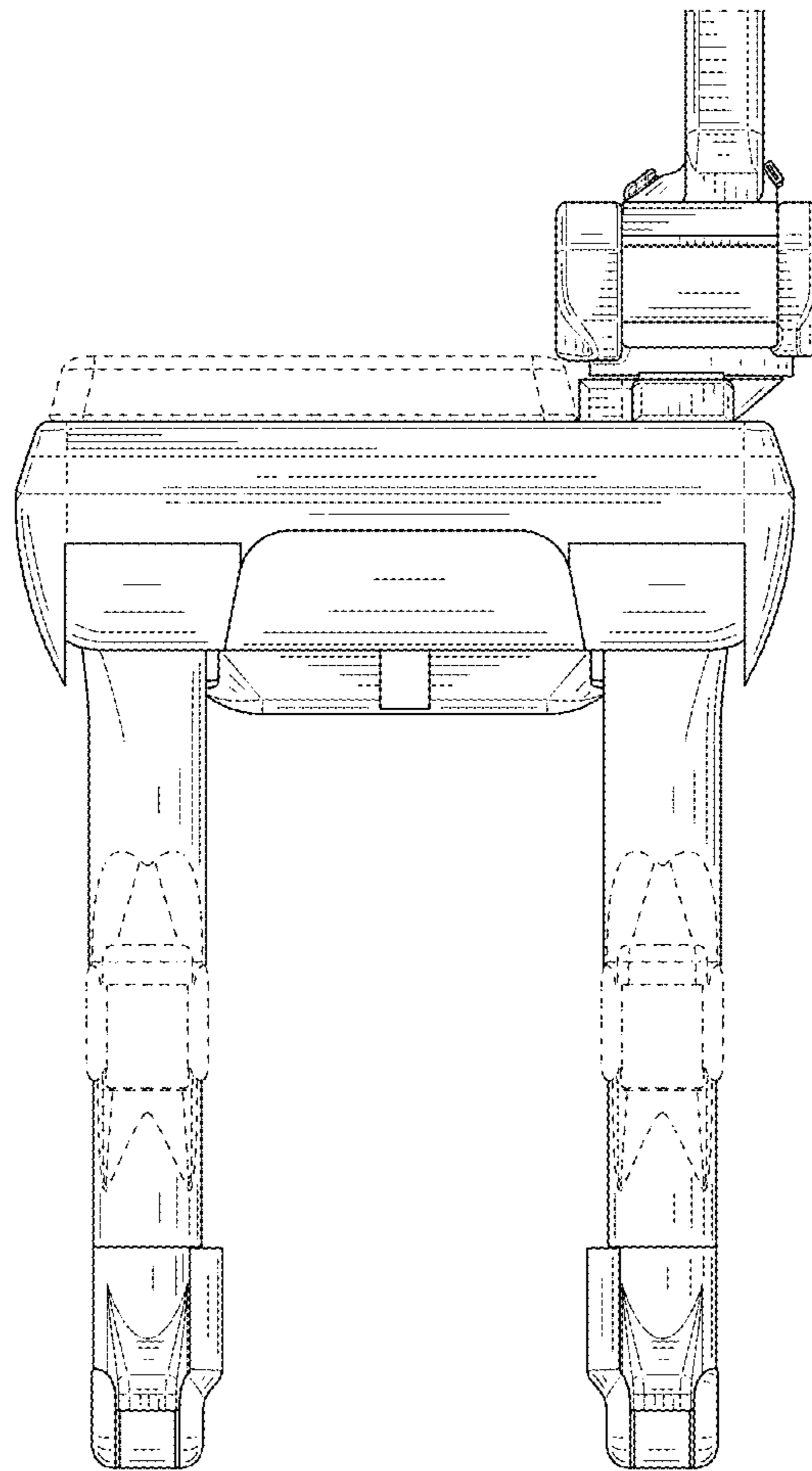


FIG. 3

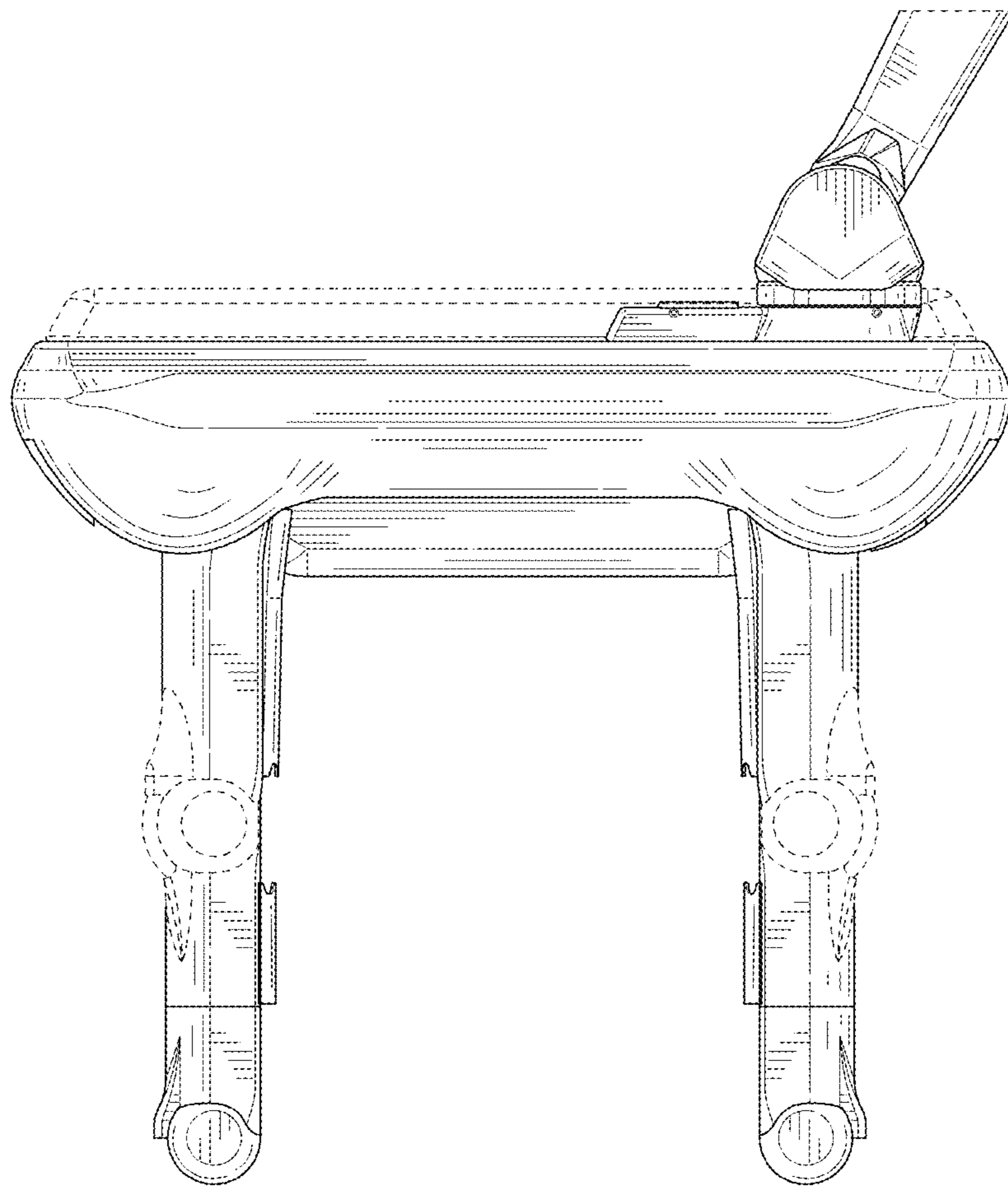


FIG. 4

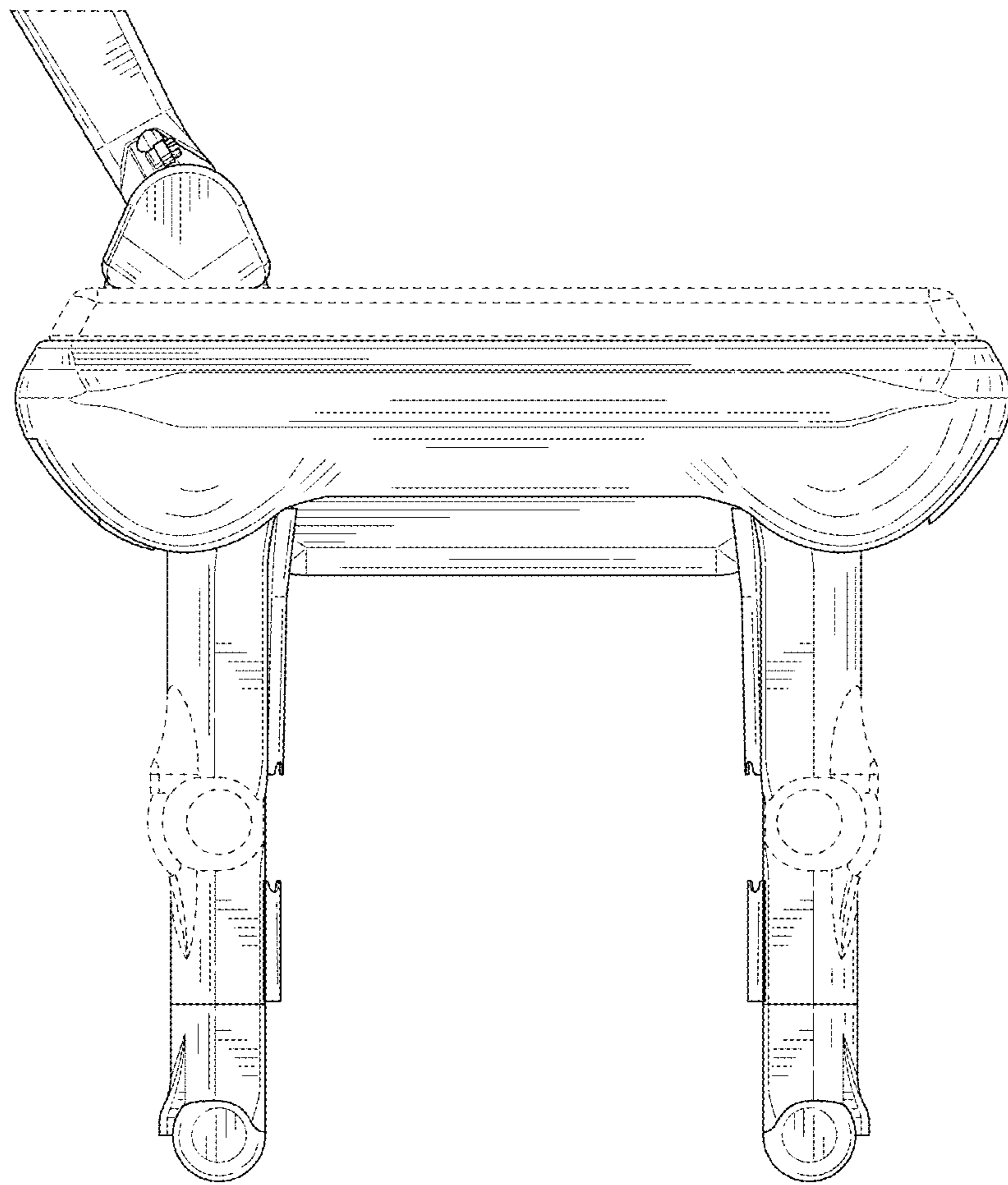


FIG. 5

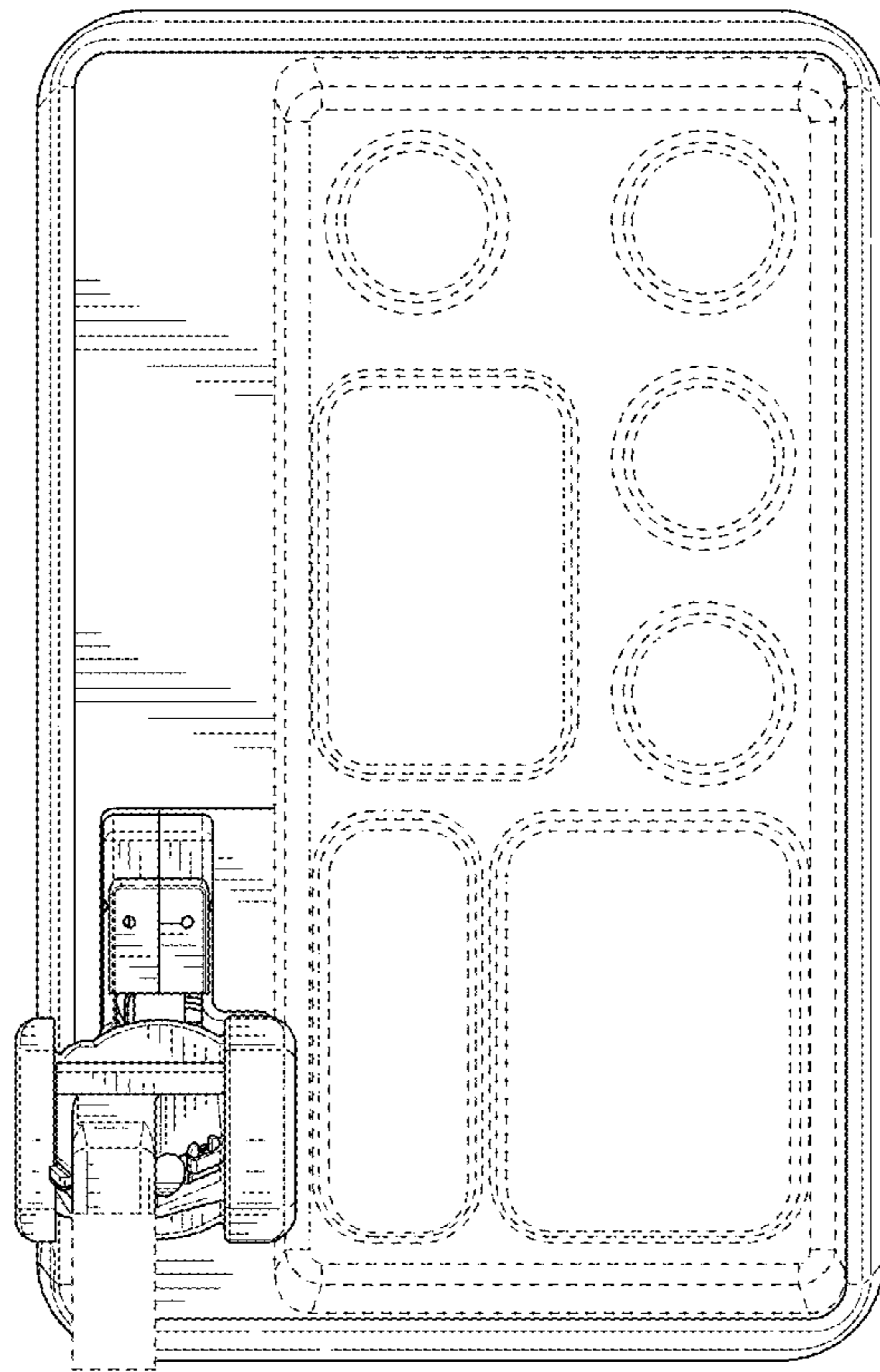


FIG. 6

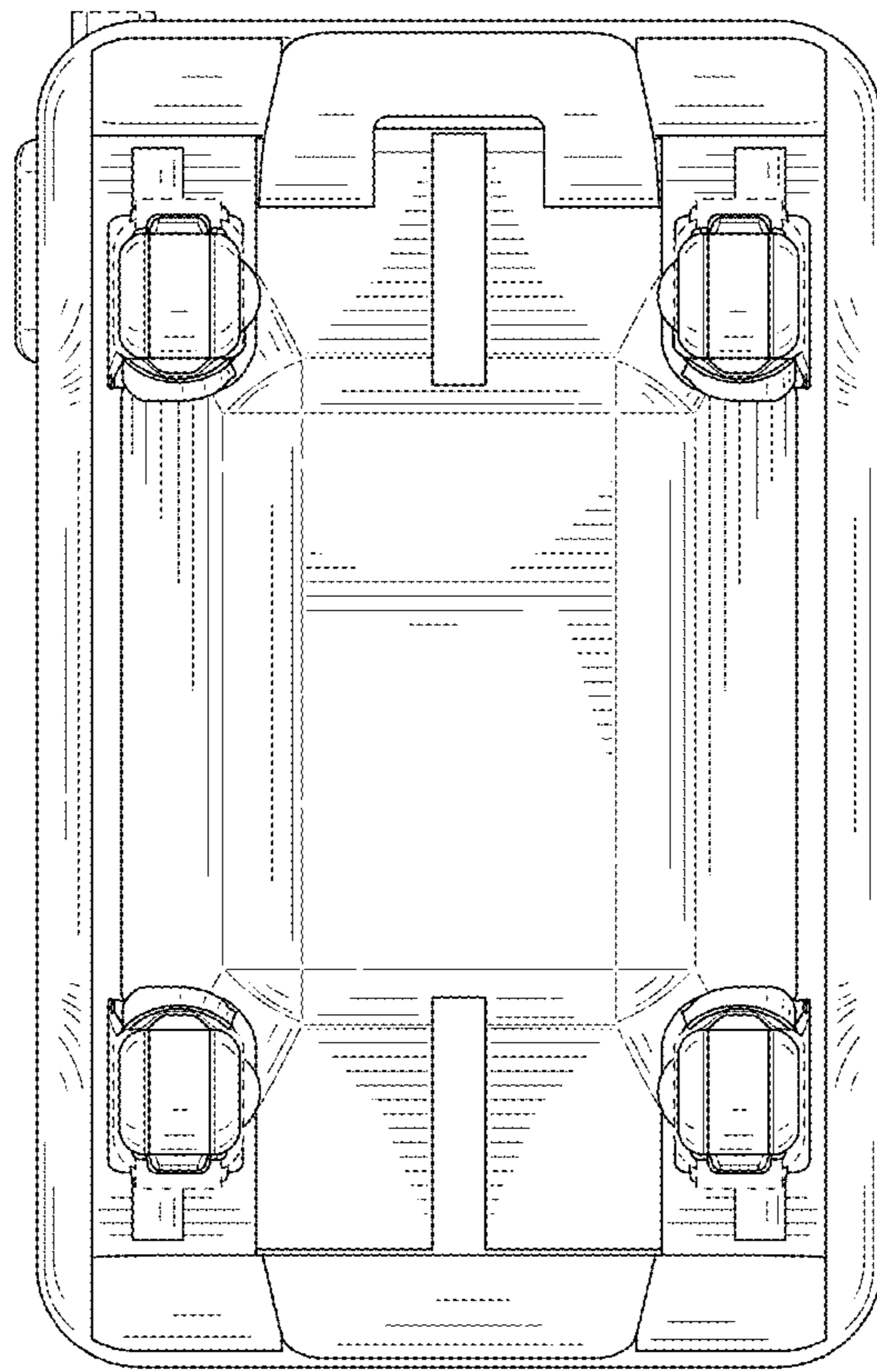


FIG. 7

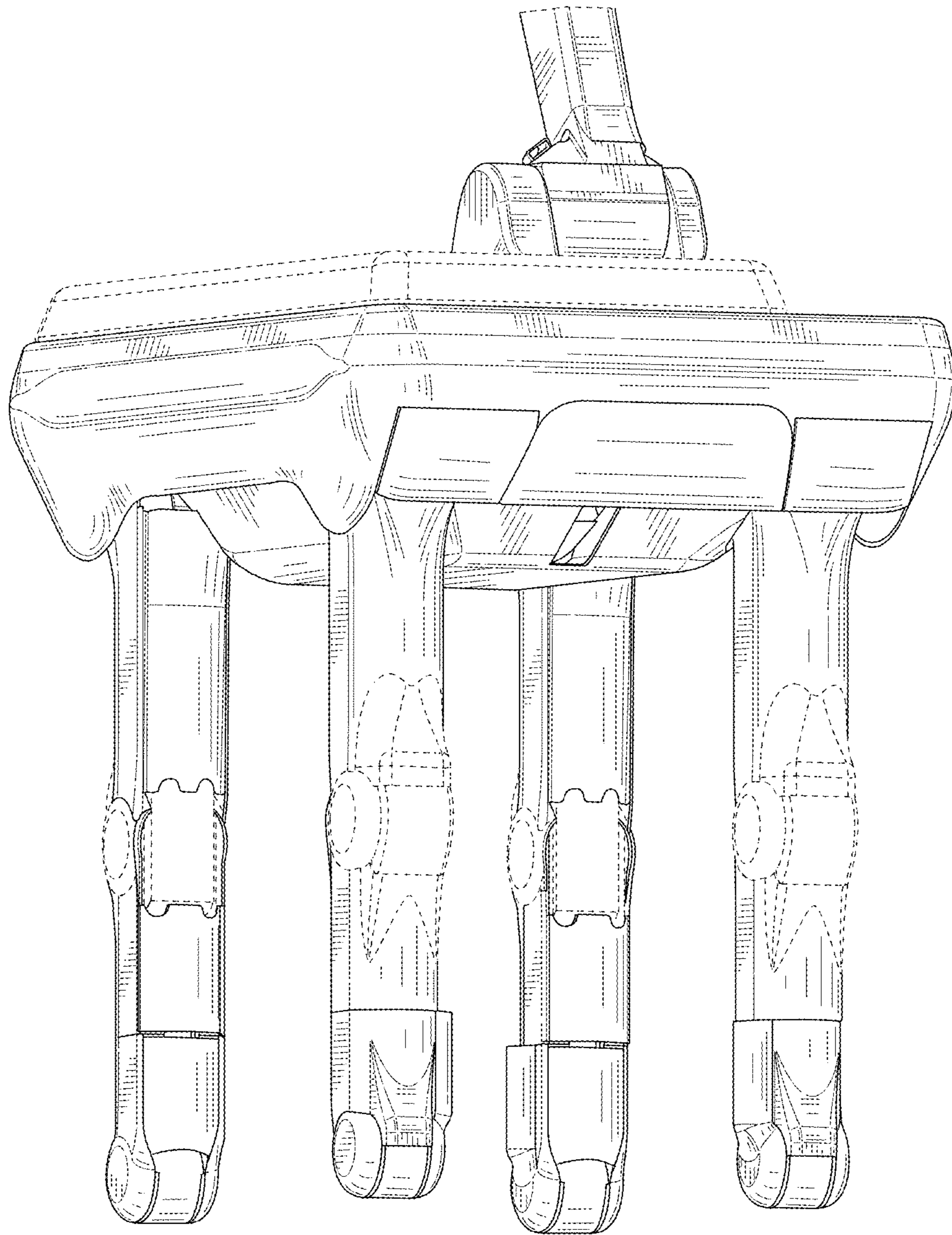


FIG. 8

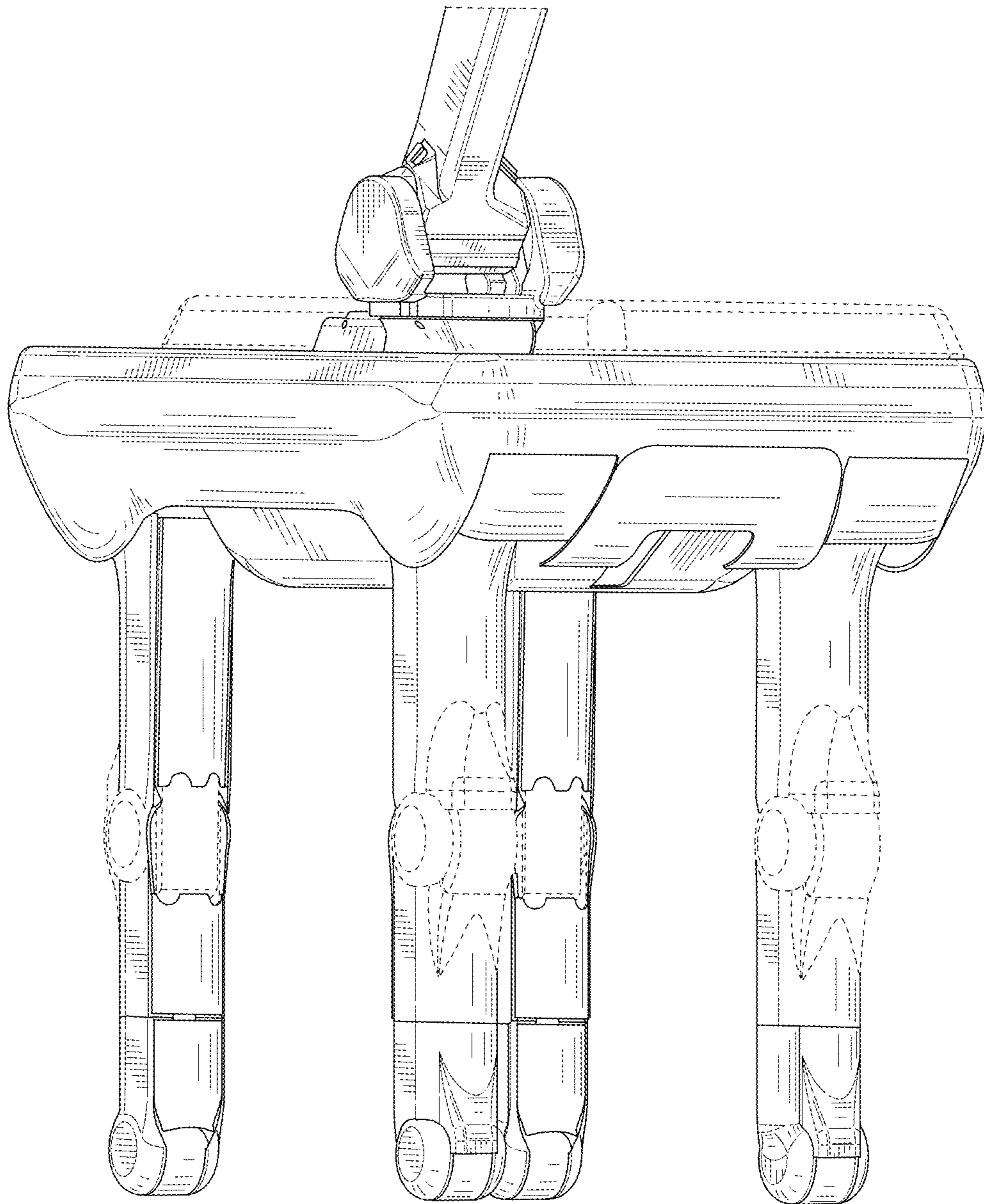


FIG. 9