



US00D918277S

(12) **United States Design Patent**
Jaun

(10) **Patent No.:** **US D918,277 S**

(45) **Date of Patent:** **** May 4, 2021**

(54) **DIE CASTING MACHINE**

(71) Applicant: **Bühler AG**, Uzwil (CH)

(72) Inventor: **Christoph Jaun**, Zürich (CH)

(73) Assignee: **Bühler AG**, Uzwil (CH)

(**) Term: **15 Years**

(21) Appl. No.: **29/694,073**

(22) Filed: **Jun. 7, 2019**

(51) **LOC (13) Cl.** **15-09**

(52) **U.S. Cl.**
USPC **D15/122**

(58) **Field of Classification Search**
USPC D15/122, 145-147, 199; D18/53, 51, 59,
D18/35.1, 99; D20/1, 4, 5, 8; D23/315;
D24/159, 231, 234; D25/16, 23, 36
CPC B23K 23/00; B23K 23/02; B23K 23/706;
B29C 67/0085; B23Q 3/10; B23Q 1/03;
B23Q 17/00; B23Q 17/007; B23Q 17/24;
B23Q 11/0891; B23Q 3/15713; B23Q
3/15513; B23B 5/08; B23B 23/00; B23B
3/06; B23B 29/04; B23B 27/007; B22D
11/00; B22D 33/00

See application file for complete search history.

(56) **References Cited**

U.S. PATENT DOCUMENTS

D301,890 S *	6/1989	Silbersky	D15/145
D311,775 S *	10/1990	Brown	D25/1
D334,985 S *	4/1993	D'Agostino	D25/1
D336,479 S *	6/1993	Shuji Shinagawa	D15/135
D455,456 S *	4/2002	Angelbeck	D18/57
D459,390 S *	6/2002	Teodorescu	D18/53
D495,723 S *	9/2004	Kawamura	D15/127
D543,222 S *	5/2007	Pester	D15/145
D544,534 S *	6/2007	Reece	D18/53
D548,754 S *	8/2007	Itabashi	D15/122

D548,755 S *	8/2007	Takeshima	D15/122
D559,283 S *	1/2008	Takeda	D15/127
D559,871 S *	1/2008	Kittaka	D15/122
D614,233 S *	4/2010	Kemmochi	D18/53
D619,166 S *	7/2010	Ishizawa	D18/53
D635,596 S *	4/2011	Hiroshima	D15/122
D637,631 S *	5/2011	Hiroshima	D15/122
D650,417 S *	12/2011	Brown	D18/53
D651,620 S *	1/2012	Schindler	D15/122
D654,518 S *	2/2012	Miyake	D15/122
D659,174 S *	5/2012	Mueller	D15/122
D659,728 S *	5/2012	Mueller	D15/122
D664,570 S *	7/2012	Mueller	D15/122
D666,666 S *	9/2012	Brown	D18/53

(Continued)

Primary Examiner — Sheryl Lane

Assistant Examiner — Mark T. Philipps

(74) *Attorney, Agent, or Firm* — Nixon & Vanderhye P.C.

(57) **CLAIM**

The ornamental design for a die casting machine, as shown and described.

DESCRIPTION

The patent or application file contains at least one drawing executed in color (FIGS. 1-9). Copies of this patent or patent application publication with color drawing(s) will be provided by the Office upon request and payment of the necessary fee.

FIG. 1 a front perspective view of a die casting machine showing my new design;

FIG. 2 is a reverse perspective view thereof;

FIG. 3 is an opposite perspective view thereof;

FIG. 4 is yet another perspective view thereof;

FIG. 5 is a right side view thereof;

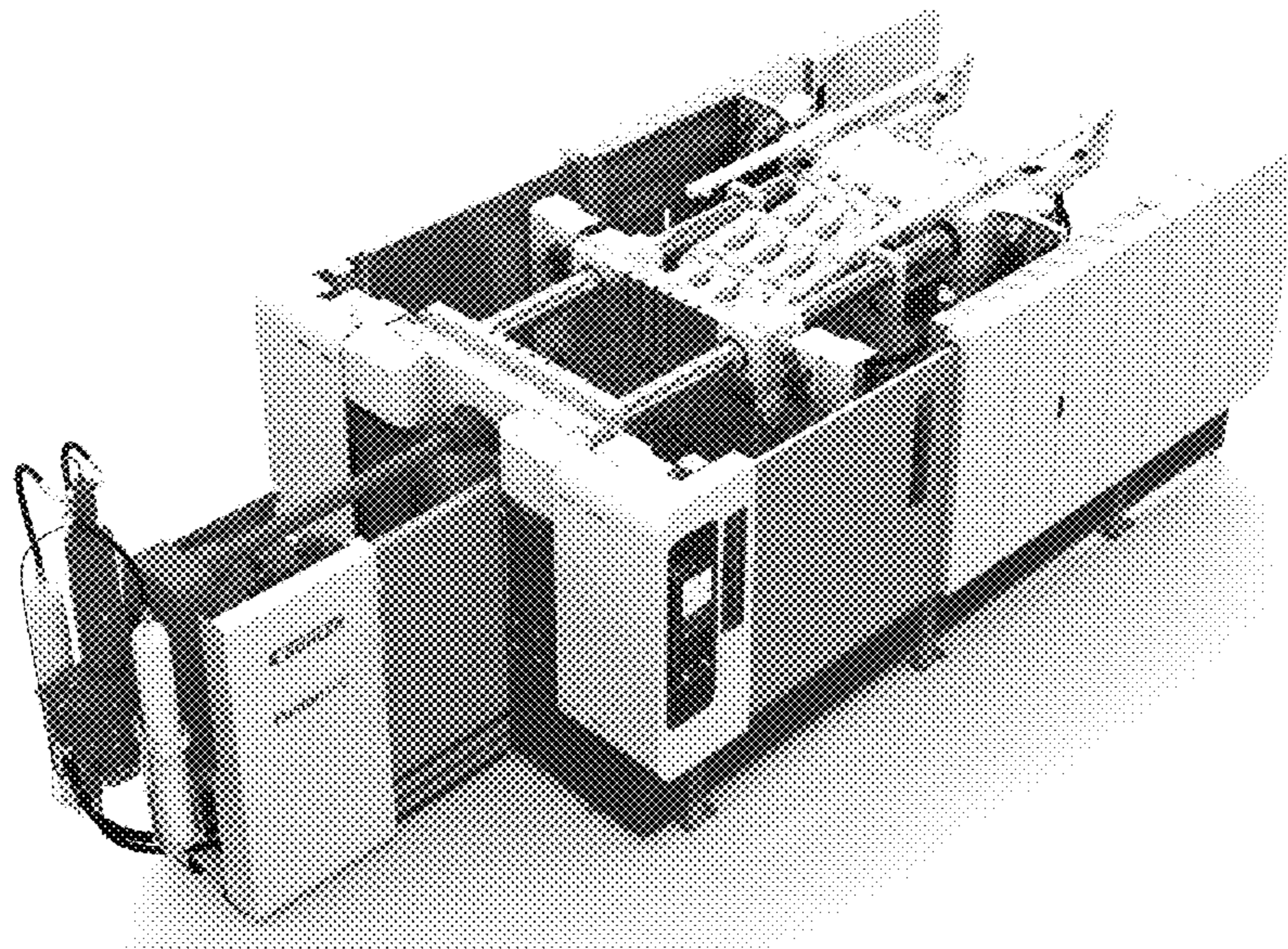
FIG. 6 is a left side view thereof;

FIG. 7 is a top view thereof;

FIG. 8 is a front view thereof; and,

FIG. 9 is a rear view thereof.

1 Claim, 9 Drawing Sheets
(9 of 9 Drawing Sheet(s) Filed in Color)



(56)

References Cited

U.S. PATENT DOCUMENTS

D667,031 S *	9/2012	Mueller	D15/122	D798,917 S *	10/2017	Gallo	D15/122
D667,032 S *	9/2012	Egami	D15/122	D811,450 S *	2/2018	Hynek	D15/130
D673,212 S *	12/2012	Okamoto	D18/53	D816,129 S *	4/2018	Albrecht	D15/122
D676,881 S *	2/2013	Mueller	D15/122	D816,741 S *	5/2018	Nicaise	D15/122
D683,771 S *	6/2013	Shimano	D15/122	D829,925 S *	10/2018	Labesque	D25/33
D690,331 S *	9/2013	Kitamura	D15/122	D861,745 S *	10/2019	Schmid	D15/122
D690,745 S *	10/2013	Koide	D15/122	D866,621 S *	11/2019	Gallo	D15/122
D691,903 S *	10/2013	Tong	D10/46	D868,854 S *	12/2019	Willey	D15/122
D693,859 S *	11/2013	Kitamura	D15/122	D873,873 S *	1/2020	Sollberger	D15/122
D694,320 S *	11/2013	Landa	D18/53	D873,876 S *	1/2020	Bellante	D15/145
D696,315 S *	12/2013	Schmid	D15/122	D875,826 S *	2/2020	Zanzotti	D18/53
D700,638 S *	3/2014	Shou	D15/123	D880,002 S *	3/2020	Lucas	D25/33
D711,948 S *	8/2014	Son	D15/199	D880,546 S *	4/2020	Hehl	D15/135
D716,351 S *	10/2014	Kitamura	D15/122	D884,754 S *	5/2020	Andre	D15/122
D718,353 S *	11/2014	Kato	D15/122	2009/0121113 A1 *	5/2009	Yasuda	B23Q 1/017 248/429
D745,070 S *	12/2015	Schindler	D15/122	2013/0061726 A1 *	3/2013	Katsu	B23B 5/08 82/1.11
D753,734 S *	4/2016	Hanschen	D15/122	2014/0069609 A1 *	3/2014	Caihuzac	B23Q 11/128 165/67
D757,170 S *	5/2016	Rafa	D18/53	2014/0319746 A1 *	10/2014	Kozawa	B23Q 3/10 269/14
D759,133 S *	6/2016	Kitamura	D15/122	2015/0336229 A1 *	11/2015	Nishida	B23Q 11/0891 414/222.07
D759,738 S *	6/2016	Schonherr	D15/122	2016/0325868 A1 *	11/2016	Bonneville	B26F 1/38
D762,748 S *	8/2016	Schonherr	D15/122	2018/0361522 A1 *	12/2018	Fornasero	B23Q 11/0891
D763,191 S *	8/2016	Shatek	D13/112	2019/0022811 A1 *	1/2019	Roettgen	B23Q 11/0891
9,415,474 B2 *	8/2016	Lee	B23Q 11/00	2019/0217436 A1 *	7/2019	Takada	B23C 1/06
D778,329 S *	2/2017	Grobe	D15/122	2020/0130123 A1 *	4/2020	Iguchi	B25J 15/0491
D780,256 S *	2/2017	Clark, III	D18/53				
D791,204 S *	7/2017	Hynek	D15/131				
D797,822 S *	9/2017	Grobe	D15/122				

* cited by examiner

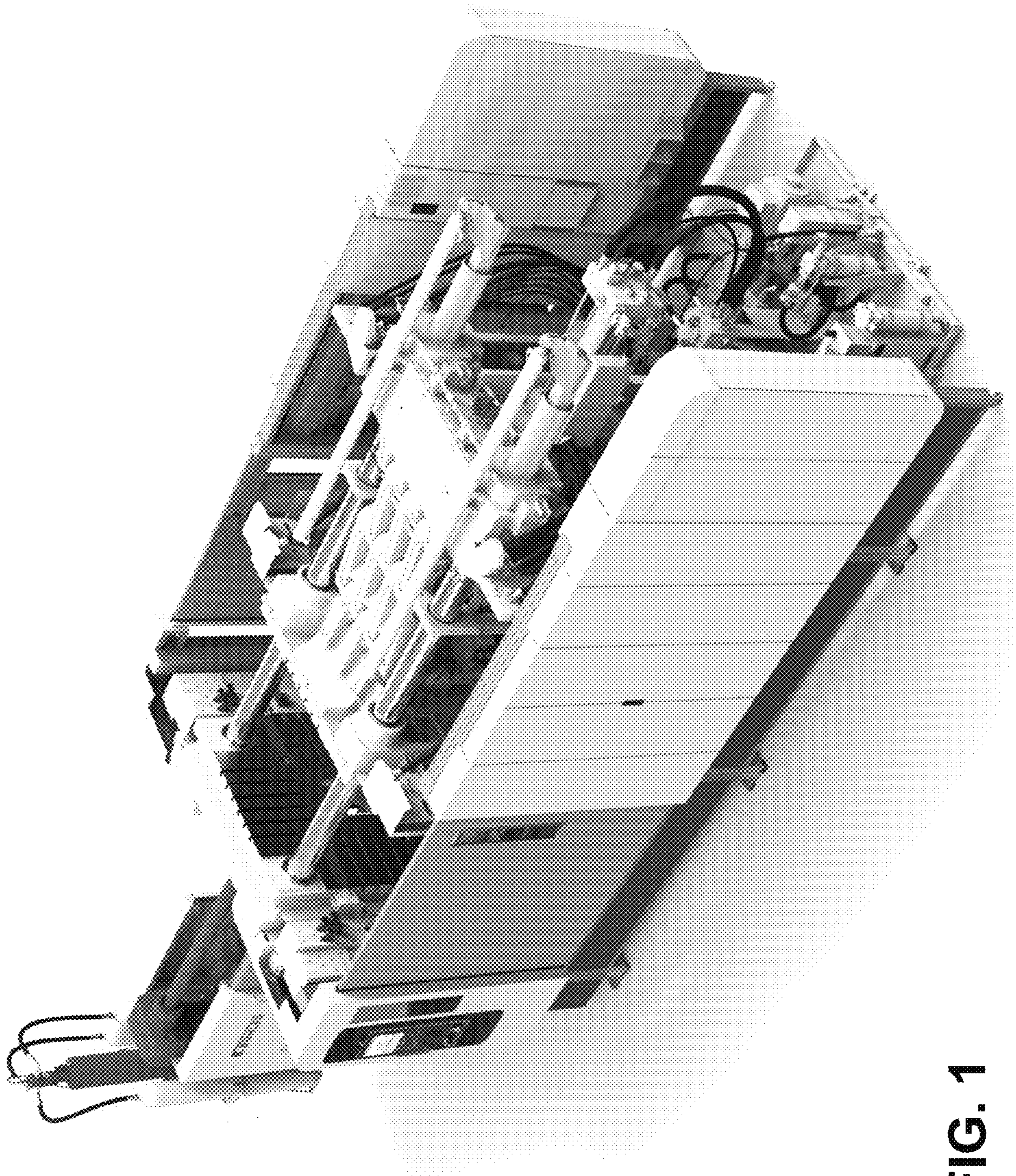


FIG. 1

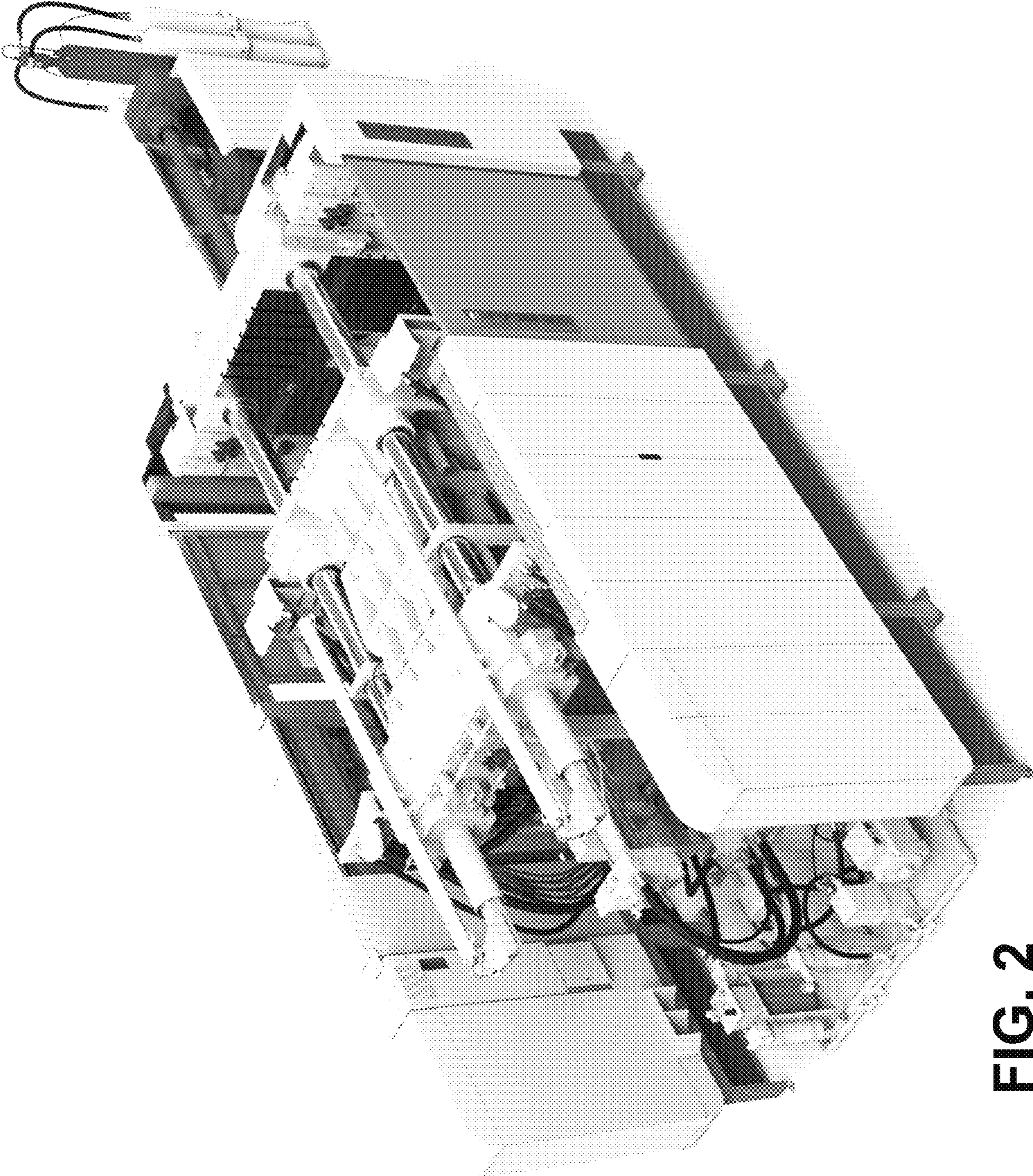


FIG. 2

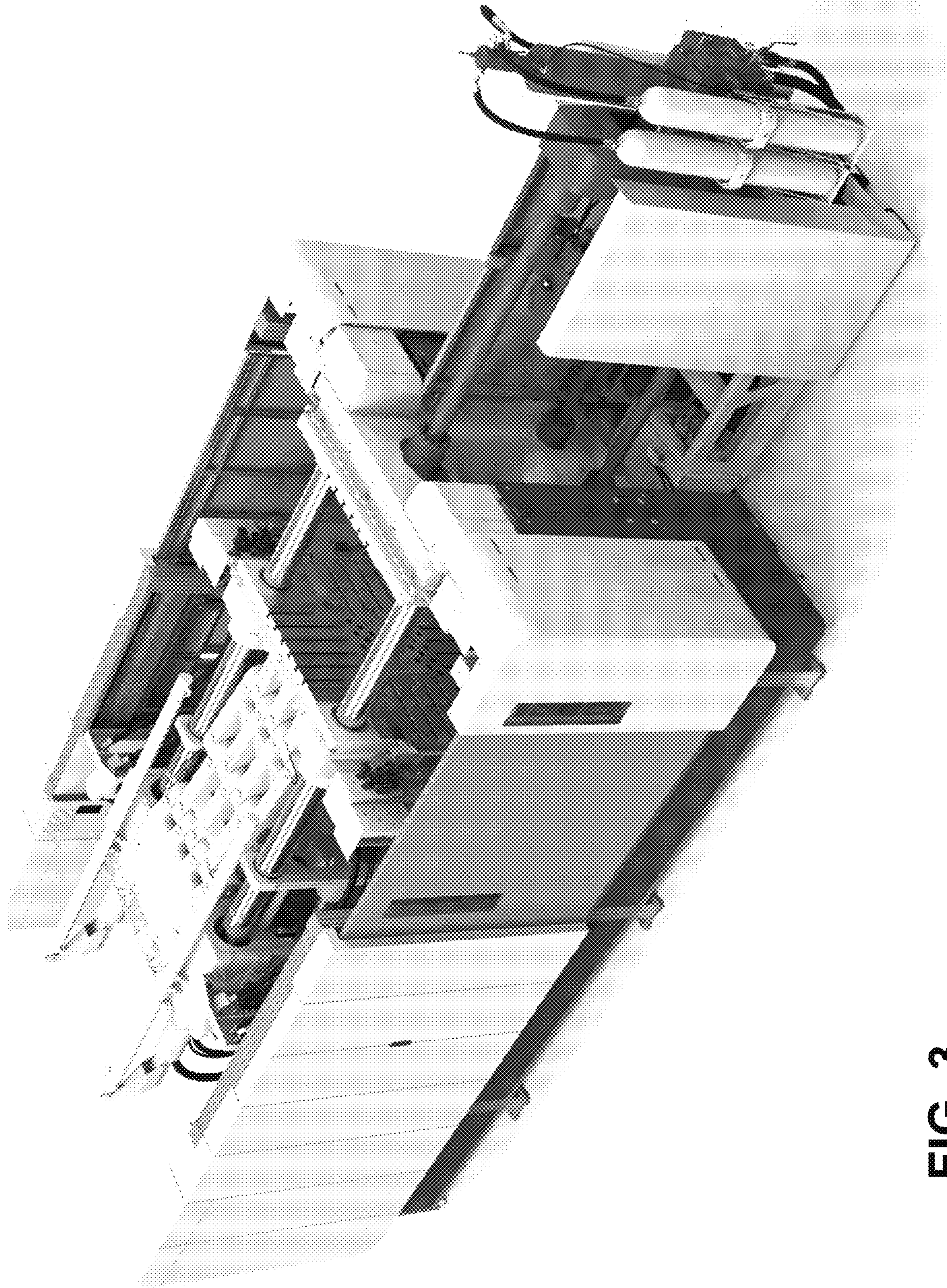


FIG. 3

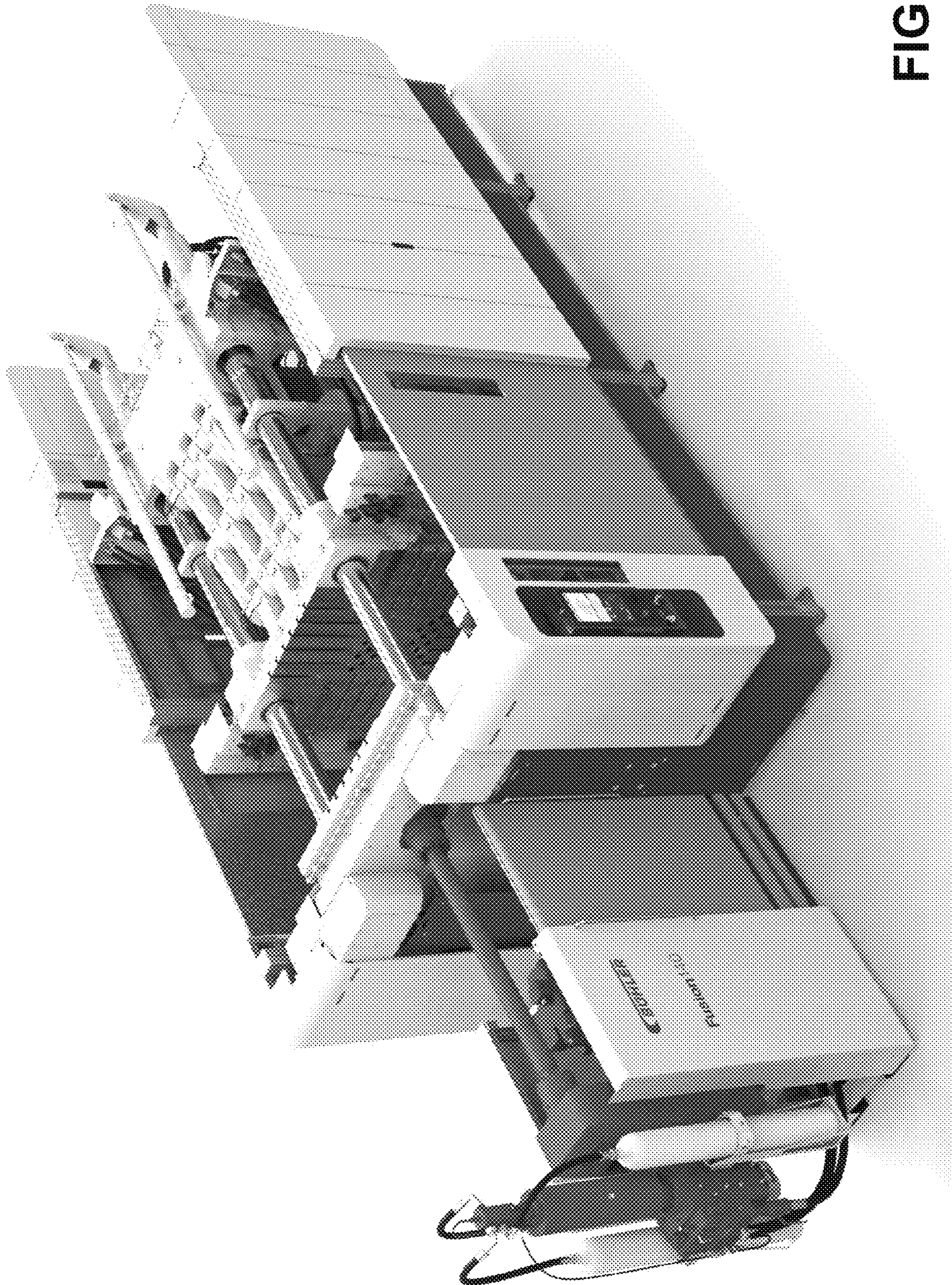


FIG. 4

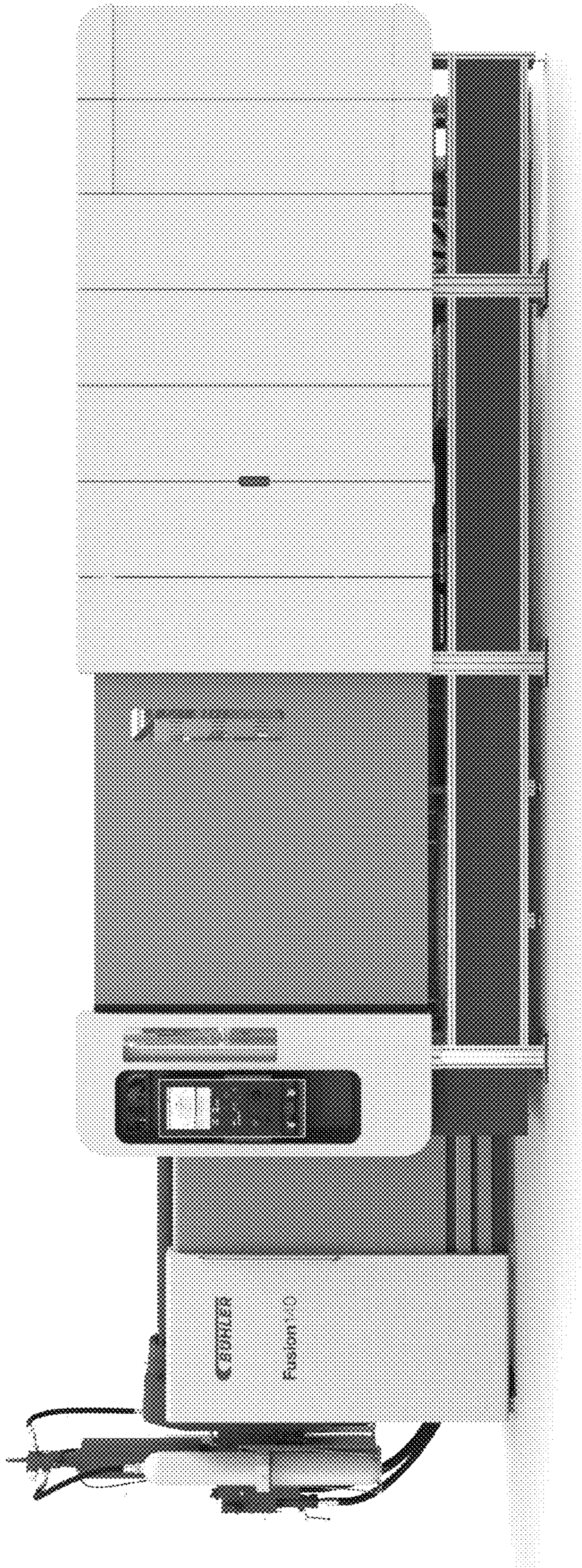


FIG. 5

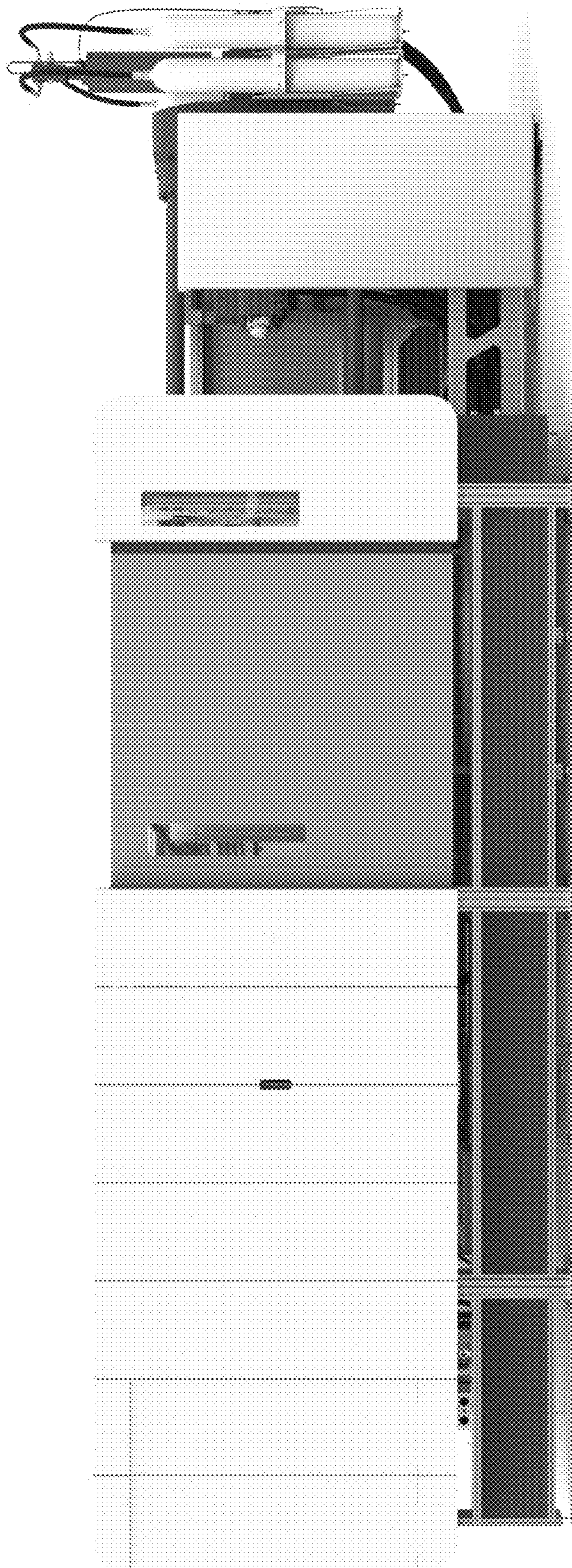


FIG. 6

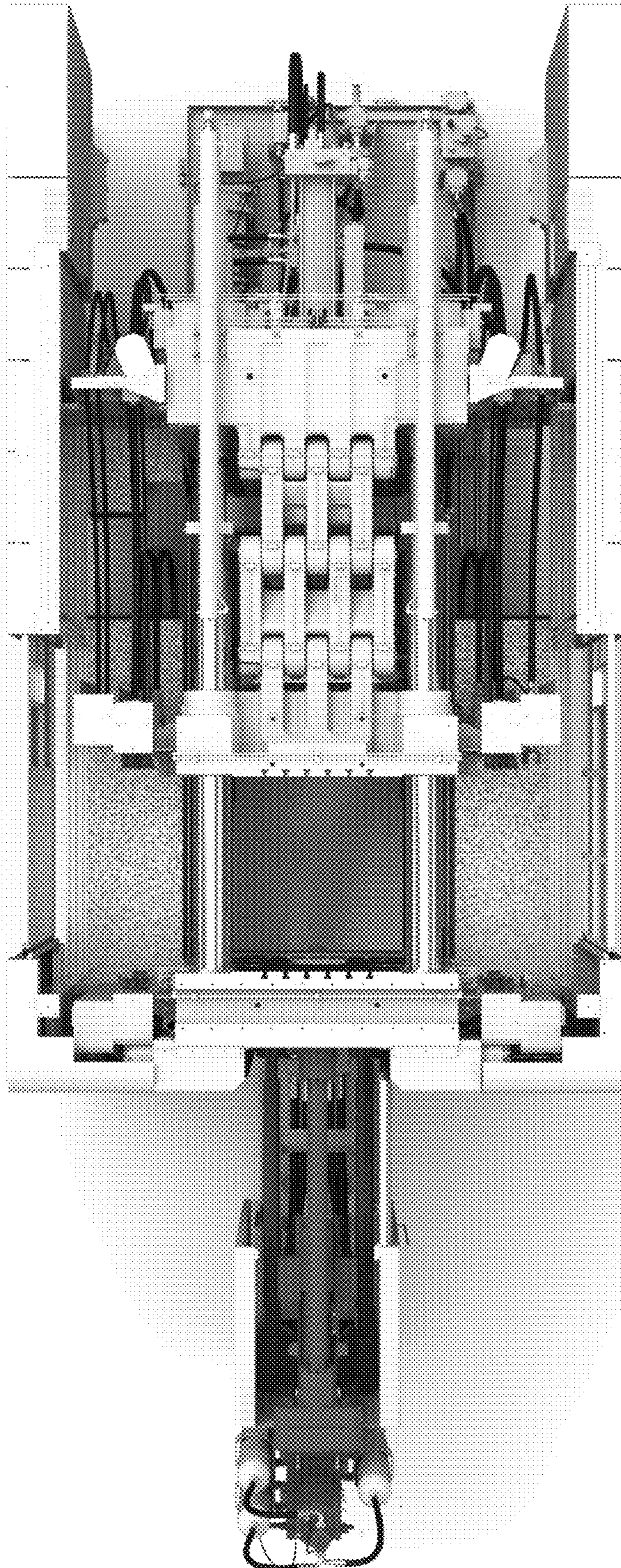


FIG. 7

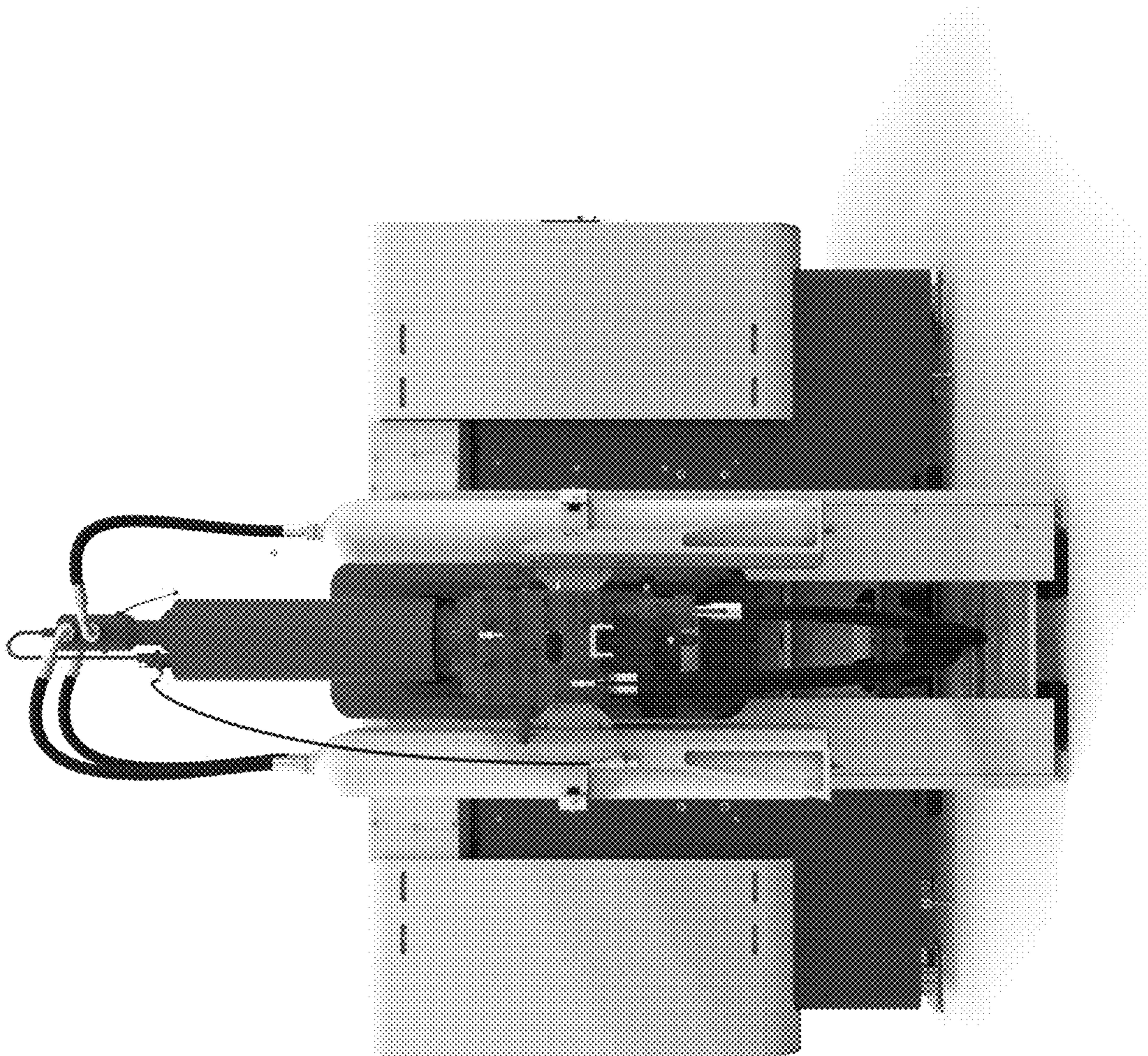


FIG. 8

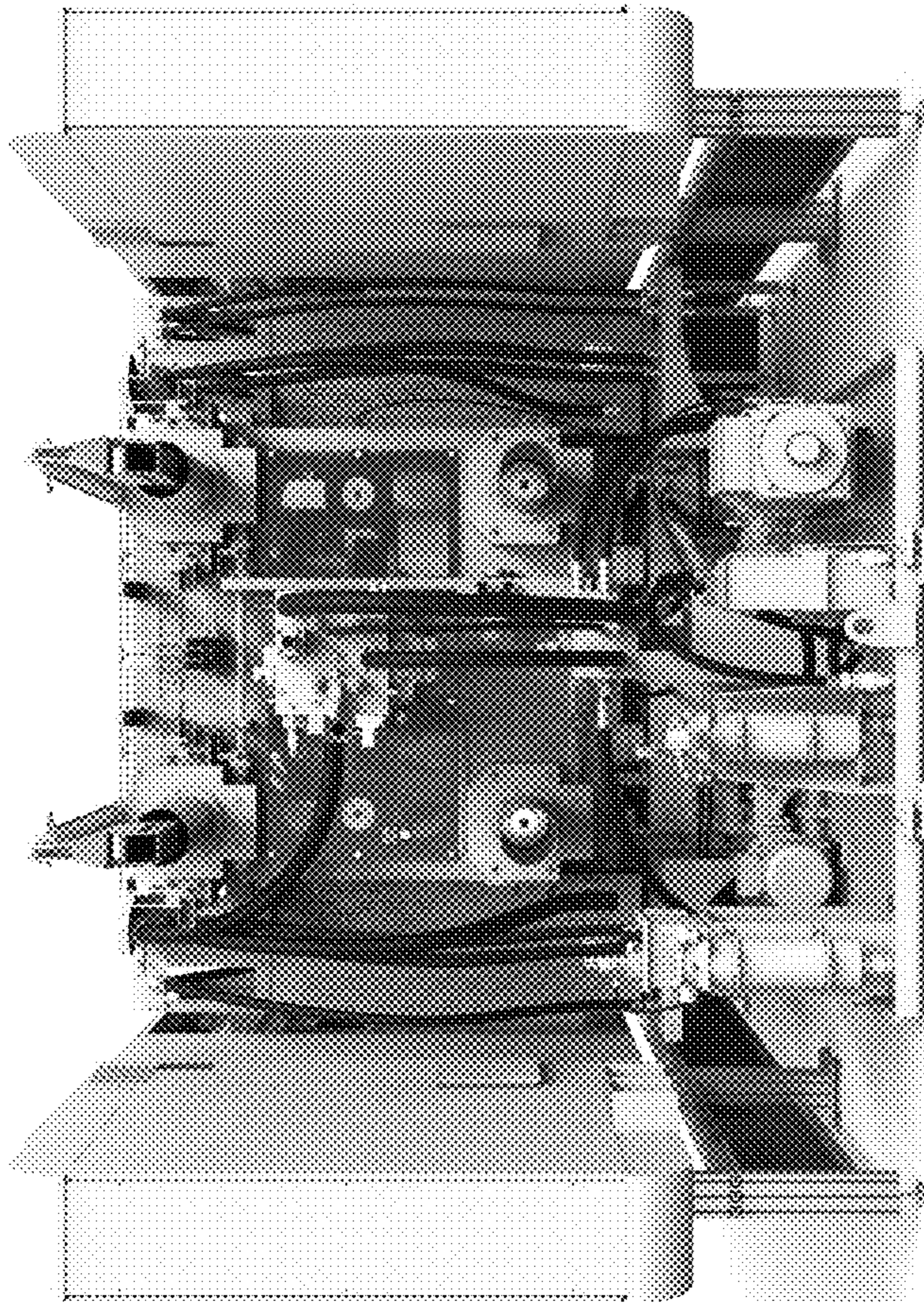


FIG. 9