



US00D918275S

(12) **United States Design Patent** (10) **Patent No.:** **US D918,275 S**
Masuda et al. (45) **Date of Patent:** **** May 4, 2021**

(54) **BACKHOE LOADER**

(71) Applicant: **Kubota Corporation**, Osaka (JP)

(72) Inventors: **Ryo Masuda**, Sakai (JP); **Suguru Shiiguchi**, Sakai (JP)

(73) Assignee: **Kubota Corporation**, Osaka (JP)

(**) Term: **15 Years**

(21) Appl. No.: **35/508,003**

(22) Filed: **Jun. 5, 2019**

(80) **Hague Agreement Data**

Int. Filing Date: **Jun. 5, 2019**

Int. Reg. No.: **DM/203627**

Int. Reg. Date: **Jun. 5, 2019**

Int. Reg. Pub. Date: **Dec. 6, 2019**

(30) **Foreign Application Priority Data**

Dec. 10, 2018 (JP) 2018-026895

Dec. 10, 2018 (JP) 2018-026896

Dec. 10, 2018 (JP) 2018-026897

Dec. 10, 2018 (JP) 2018-026898

Dec. 10, 2018 (JP) 2018-026899

(51) **LOC (13) Cl.** **14-03**

(52) **U.S. Cl.**

USPC **D15/28**

CPC **E02F 9/18** (2013.01)

(58) **Field of Classification Search**

USPC D15/10, 22–26, 28, 30, 31, 33; 180/89.1, 180/89.12, 89.13, 900, 9.1, 9.2, 9.62; 414/694, 699, 722–724, 660, 685, 698, 414/719, 743

CPC . E02F 9/163; E02F 9/0886; E02F 9/18; E02F 3/32; E02F 3/76; E02F 3/40; F01N 13/001; F01N 2590/08

See application file for complete search history.

(56) **References Cited**

U.S. PATENT DOCUMENTS

4,552,503	A *	11/1985	Mouri	E02F 3/325
				172/2
D309,313	S *	7/1990	Takashima	D15/24
D312,468	S *	11/1990	Masumoto	D15/24
D354,497	S *	1/1995	Kusunoki	D15/24
D375,103	S *	10/1996	Masumoto	D15/24
D383,469	S *	9/1997	Ishizaki	D15/24
D387,360	S *	12/1997	Ishizaki	D15/25
5,711,095	A *	1/1998	Oda	E02F 3/325
				180/327
D440,235	S *	4/2001	Kuwae	D15/25
D473,571	S *	4/2003	Kuwae	D15/25
6,615,942	B2 *	9/2003	Shinohara	E02F 3/32
				180/69.21
D490,444	S	5/2004	Kuwae	
D538,827	S *	3/2007	Uemura	D15/25
D576,180	S *	9/2008	Kuwae	D15/25
D590,422	S *	4/2009	Joos	D15/22
D594,883	S *	6/2009	Ikeda	D15/25
D609,252	S *	2/2010	Shimada	D15/25
D633,926	S *	3/2011	Shimada	D15/25

(Continued)

Primary Examiner — Richard E Chilcot

(74) *Attorney, Agent, or Firm* — The Webb Law Firm

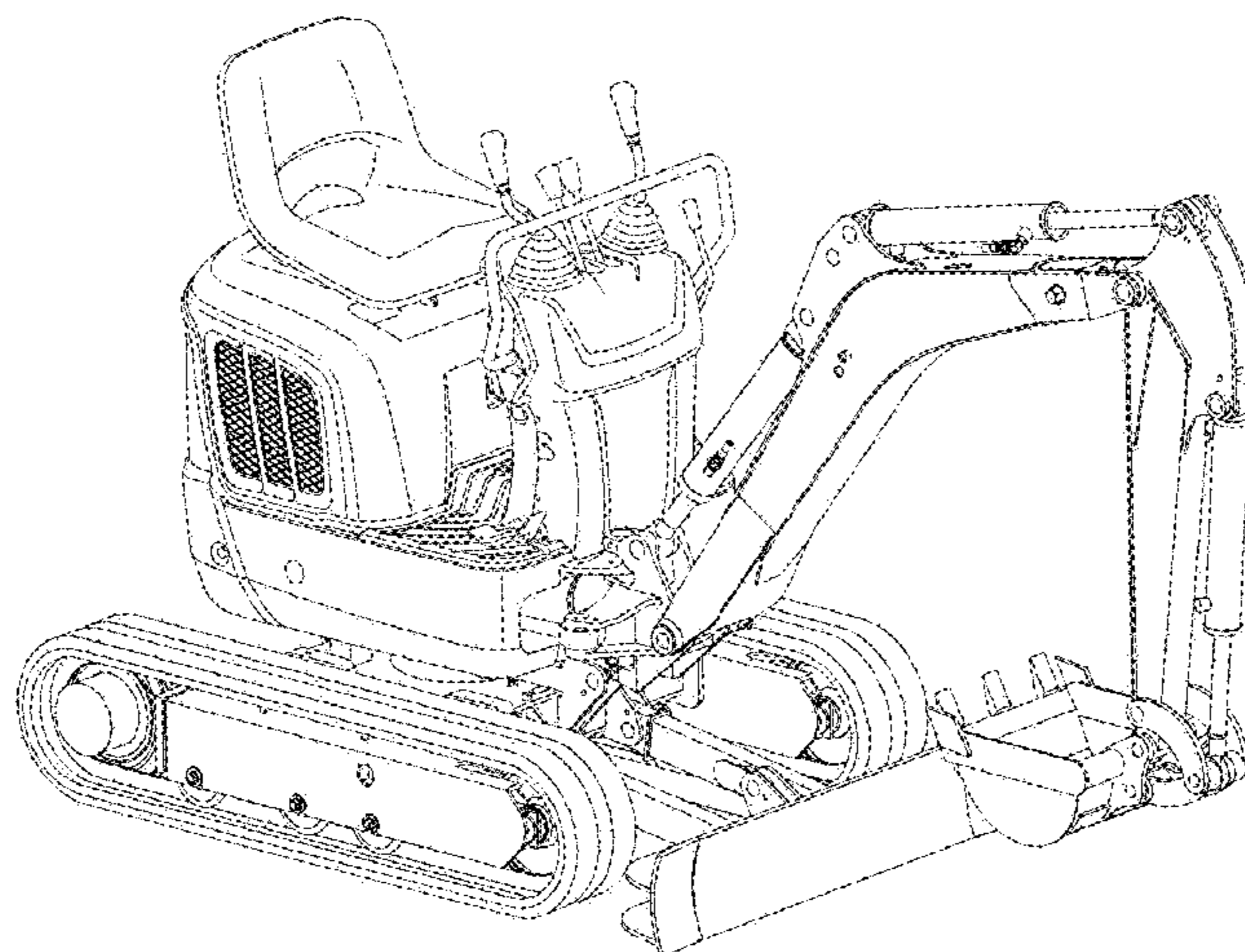
(57) **CLAIM**

The ornamental design for a backhoe loader, as shown and described.

DESCRIPTION

- 1.1 is a front elevation view of a backhoe loader, showing our new design;
- 1.2 is a rear elevation view thereof;
- 1.3 is a left side elevation view thereof;
- 1.4 is a right side elevation view thereof;
- 1.5 is a top view thereof;
- 1.6 is an upper right front perspective view thereof; and
- 1.7 is an upper rear left perspective view thereof.

(Continued)



A bottom view is omitted because it is plain and unornamental and forms no part of the subject matter of the claimed design.

1 Claim, 7 Drawing Sheets

(56)

References Cited

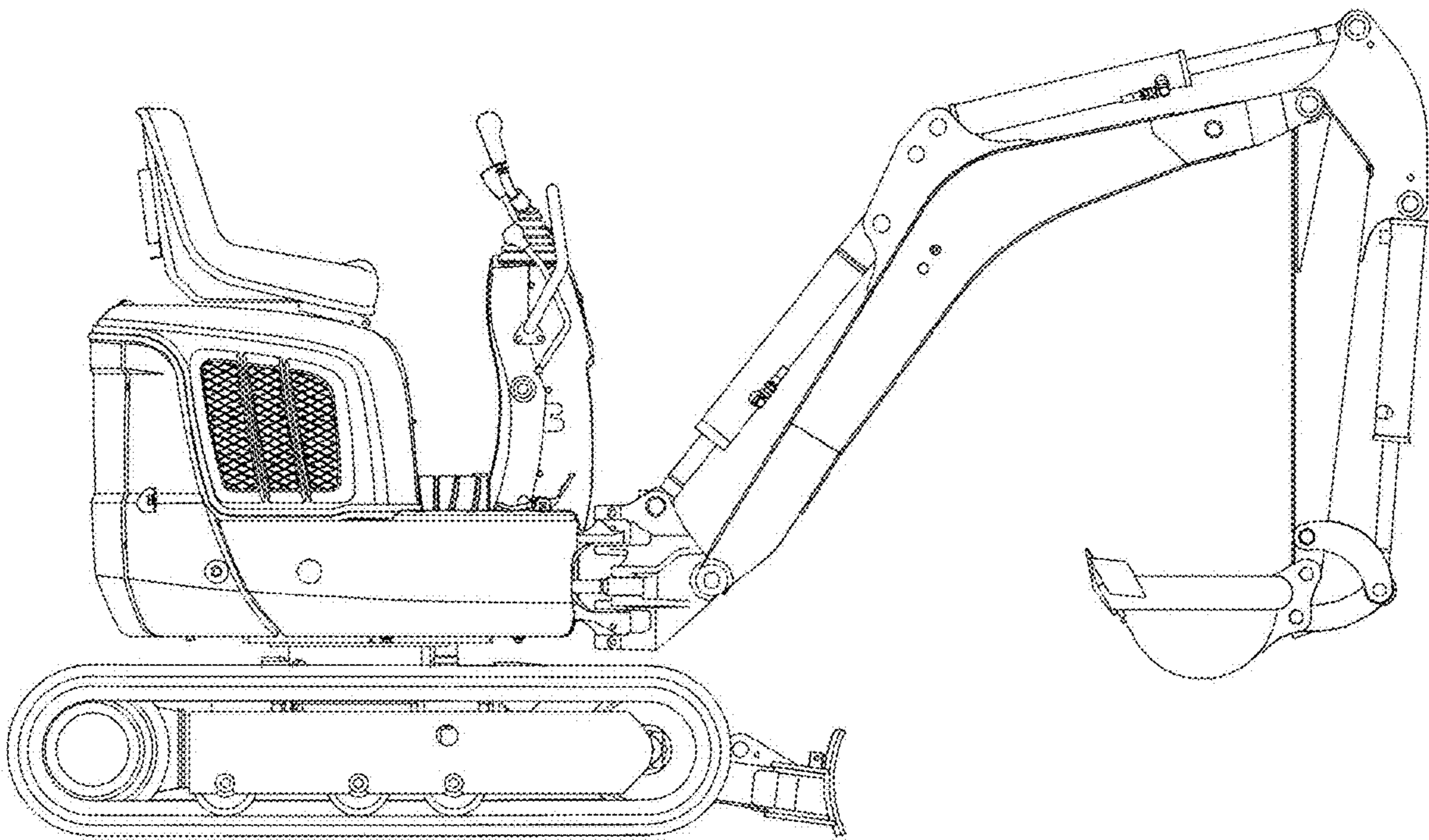
U.S. PATENT DOCUMENTS

D681,066 S *	4/2013	Saito	D15/24
D681,689 S *	5/2013	Saito	D15/24
D682,887 S *	5/2013	Iwata	D15/25
D682,891 S *	5/2013	Kinoshita	D15/25
D684,598 S *	6/2013	Hagura	D15/24
D684,599 S *	6/2013	Saito	D15/24
D684,600 S *	6/2013	Saito	D15/24
D685,394 S *	7/2013	Nagata	D15/24
D687,865 S *	8/2013	Hatanaka	D15/24
D688,713 S *	8/2013	Seino	D15/33
D692,924 S *	11/2013	Hatanaka	D15/24
D707,261 S *	6/2014	Caboret	D15/24

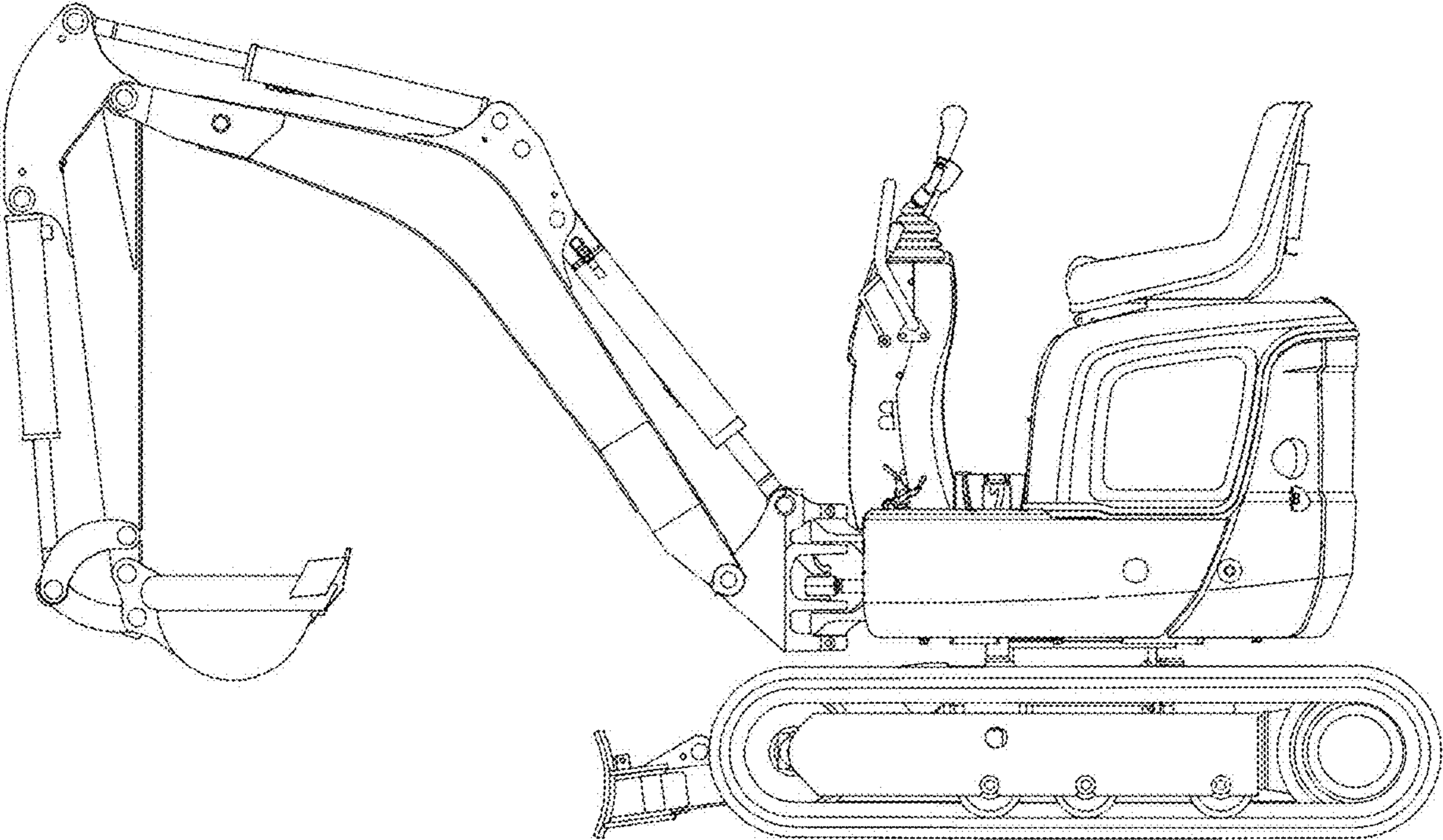
D711,927 S *	8/2014	Yoshita	D15/24
D716,844 S *	11/2014	Hayami	D15/25
D716,845 S *	11/2014	Hayami	D15/25
D725,680 S *	3/2015	Mishio	D15/24
D742,934 S *	11/2015	Kushita	D15/25
D750,672 S *	3/2016	Payne	D15/25
D752,112 S *	3/2016	Hagura	D15/24
D752,113 S *	3/2016	Hagura	D15/24
D752,651 S *	3/2016	Hagura	D15/24
D759,127 S *	6/2016	Higuchi	D15/24
D812,646 S *	3/2018	Hashimoto	D15/28
D821,450 S *	6/2018	Hashimoto	D15/25
D830,421 S *	10/2018	Colclough	D15/24
D830,422 S *	10/2018	Colclough	D15/24
D830,423 S *	10/2018	Colclough	D15/25
D830,424 S *	10/2018	Colclough	D15/25
D830,425 S *	10/2018	Colclough	D15/25
D830,426 S *	10/2018	Colclough	D15/25
D830,427 S *	10/2018	Colclough	D15/28
D830,428 S *	10/2018	Colclough	D15/28
D831,078 S *	10/2018	Colclough	D15/28
2004/0084934 A1 *	5/2004	Yokoo	E02F 9/18 296/190.01

* cited by examiner

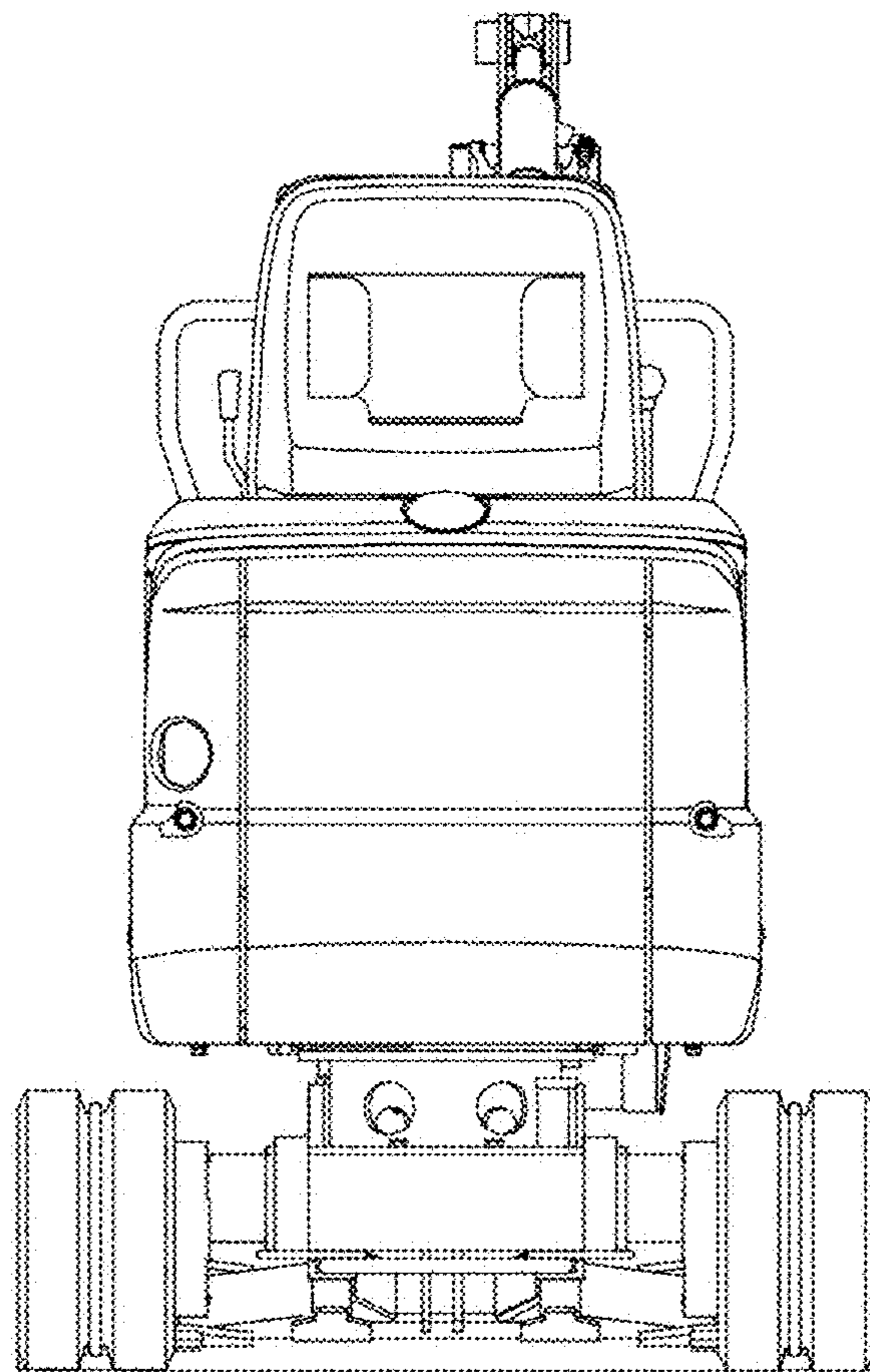
1.1



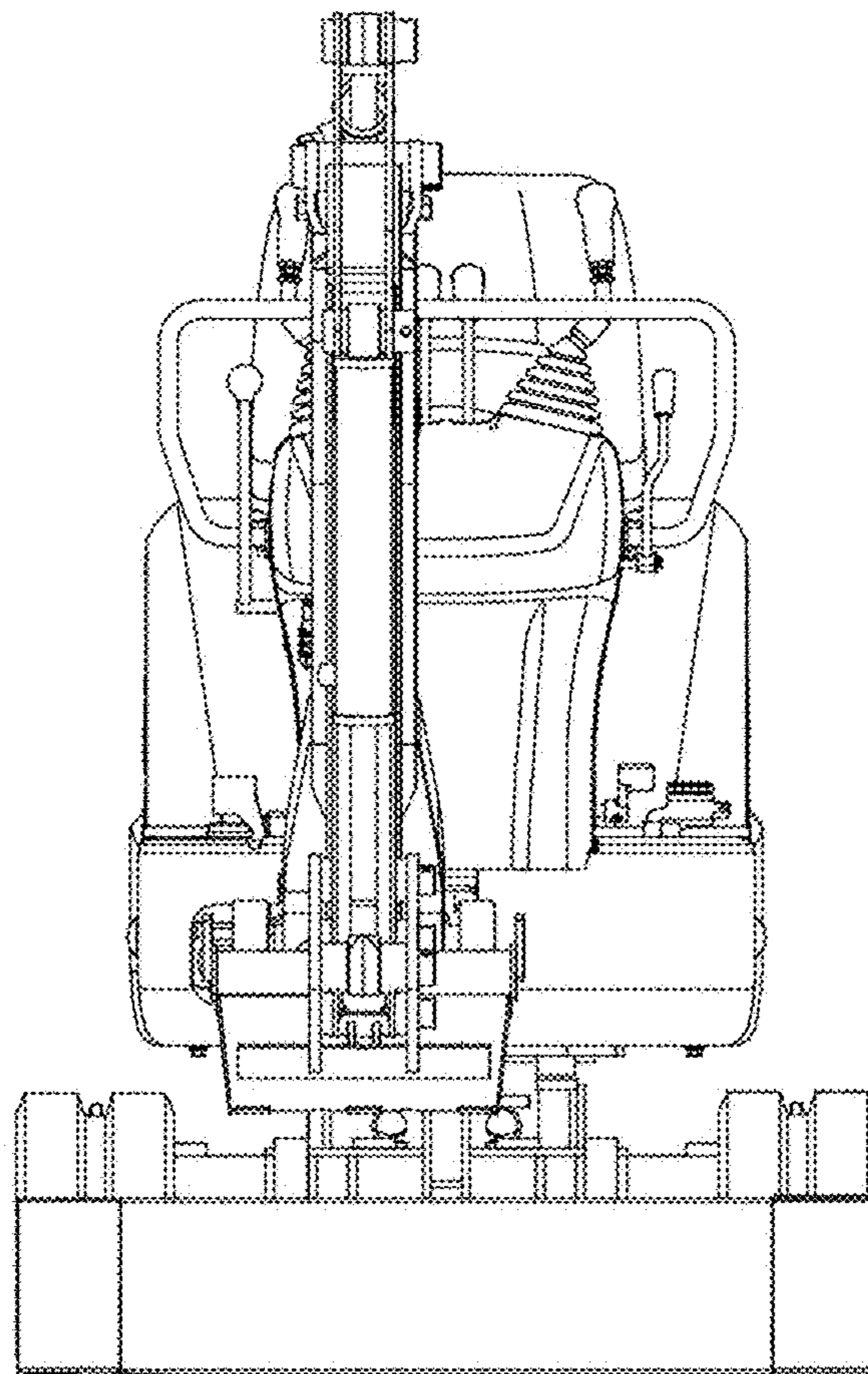
1.2



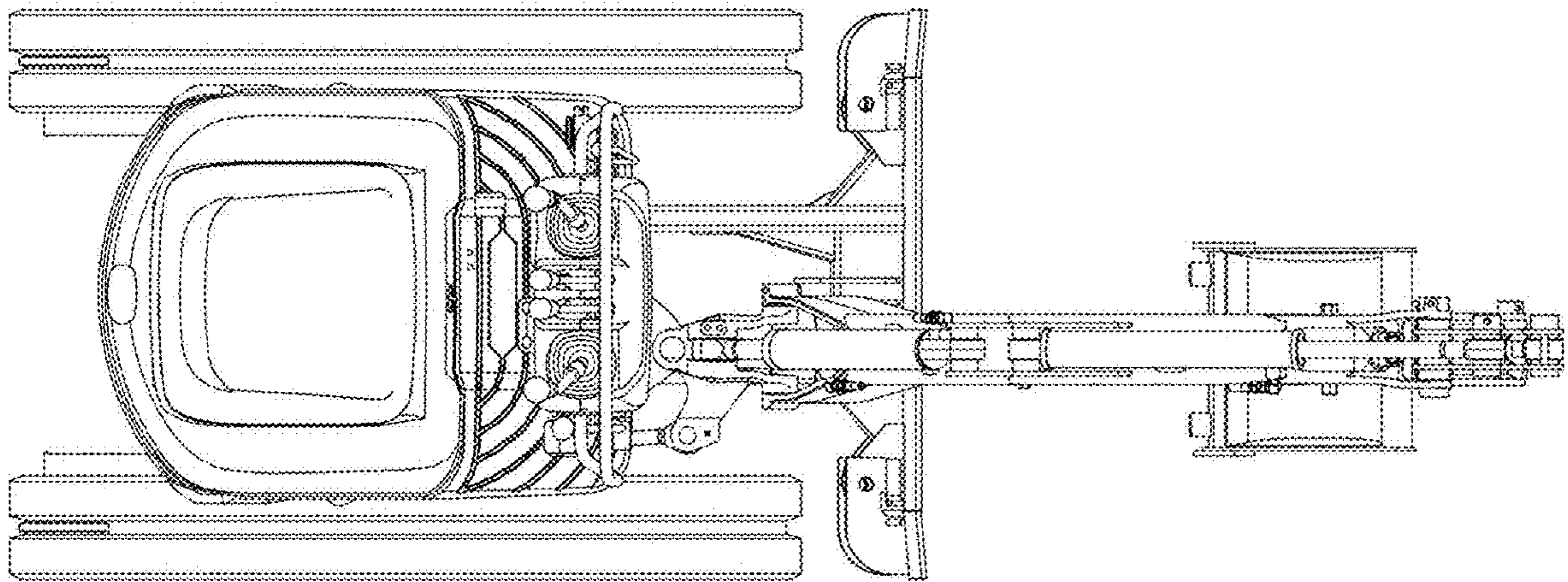
1.3



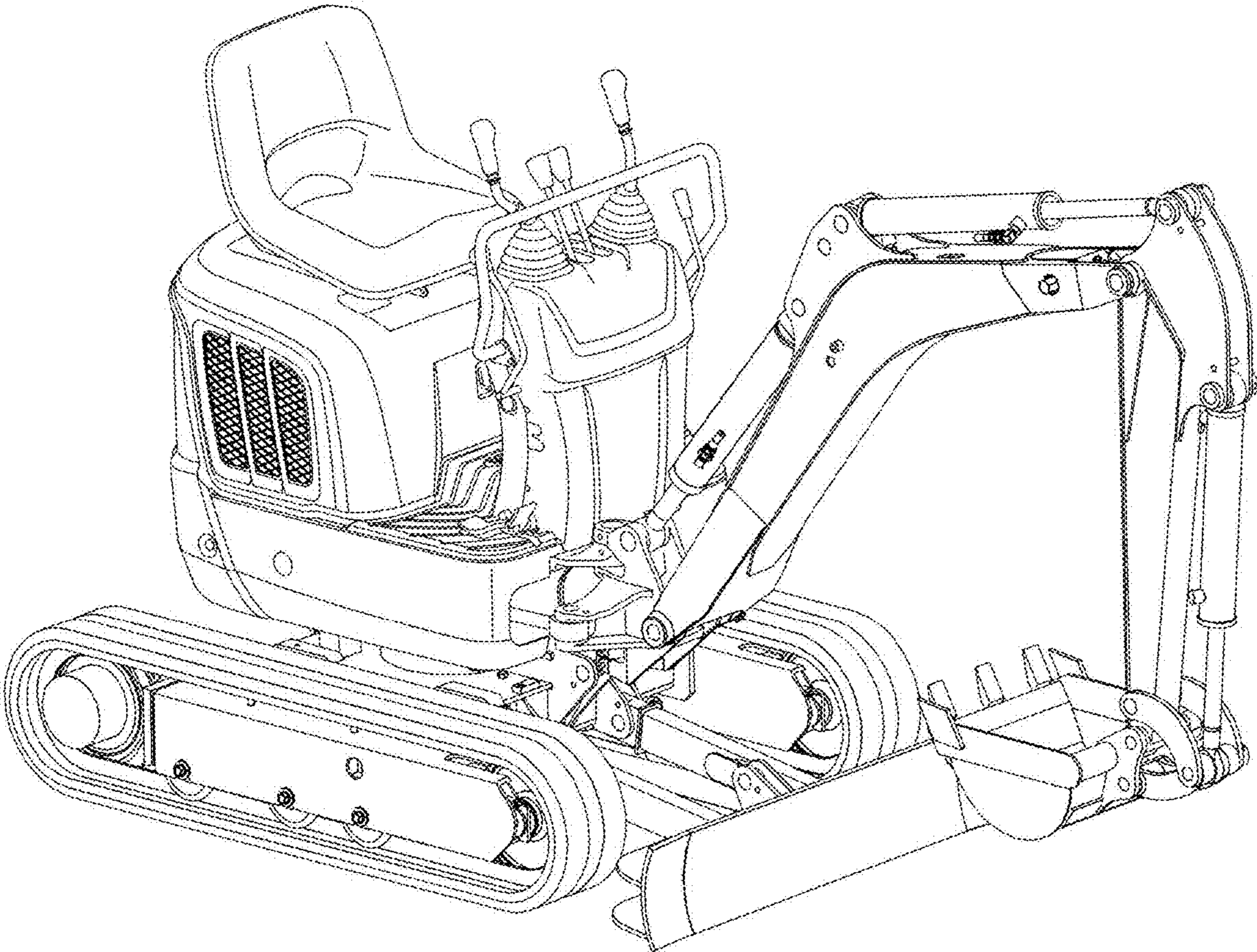
1.4



1.5



1.6



1.7

