



US00D918274S

(12) **United States Design Patent**
Hokanson

(10) **Patent No.:** **US D918,274 S**

(45) **Date of Patent:** **** May 4, 2021**

(54) **EXCAVATOR HYDRAULIC BREAKER RACK**

(71) Applicant: **Craig Richard Hokanson**, Clearfield,
UT (US)

(72) Inventor: **Craig Richard Hokanson**, Clearfield,
UT (US)

(**) Term: **15 Years**

(21) Appl. No.: **29/683,487**

(22) Filed: **Mar. 13, 2019**

(51) **LOC (13) Cl.** **15-03**

(52) **U.S. Cl.**
USPC **D15/28**; D15/138; D15/199

(58) **Field of Classification Search**
USPC D15/11, 21, 25, 26, 28, 138, 140, 141,
D15/199; D34/28, 33, 38, 39; D06/675,
D06/675.5; D12/406; D13/184;
211/85.8; D21/686
CPC . A47F 7/00; A47F 81/00; A47F 47/00; B25H
3/00; B65G 1/02; B65D 19/12; B65D
19/385; B65D 85/66
See application file for complete search history.

(56) **References Cited**

U.S. PATENT DOCUMENTS

3,895,726 A * 7/1975 Rassieur B60P 3/00
414/522
D255,687 S * 7/1980 Ravn D15/140
D269,182 S * 5/1983 Whalen D15/11
D274,945 S * 7/1984 Fitch D25/68

(Continued)

FOREIGN PATENT DOCUMENTS

CN 303369527 * 9/2015

OTHER PUBLICATIONS

Model HBR-5 Hydraulic Breaker Rack, first available date Oct. 18,
2019 [Online], [Site Visited Apr. 9, 2020] Available From Internet,

URL: <<https://www.augerrack.com/hydraulic-breaker-racks-hbr-5-sshbr-4.html>> (Year: 2019).*

(Continued)

Primary Examiner — Sheryl Lane

Assistant Examiner — Mark T. Philipps

(74) *Attorney, Agent, or Firm* — Steven Rinehart

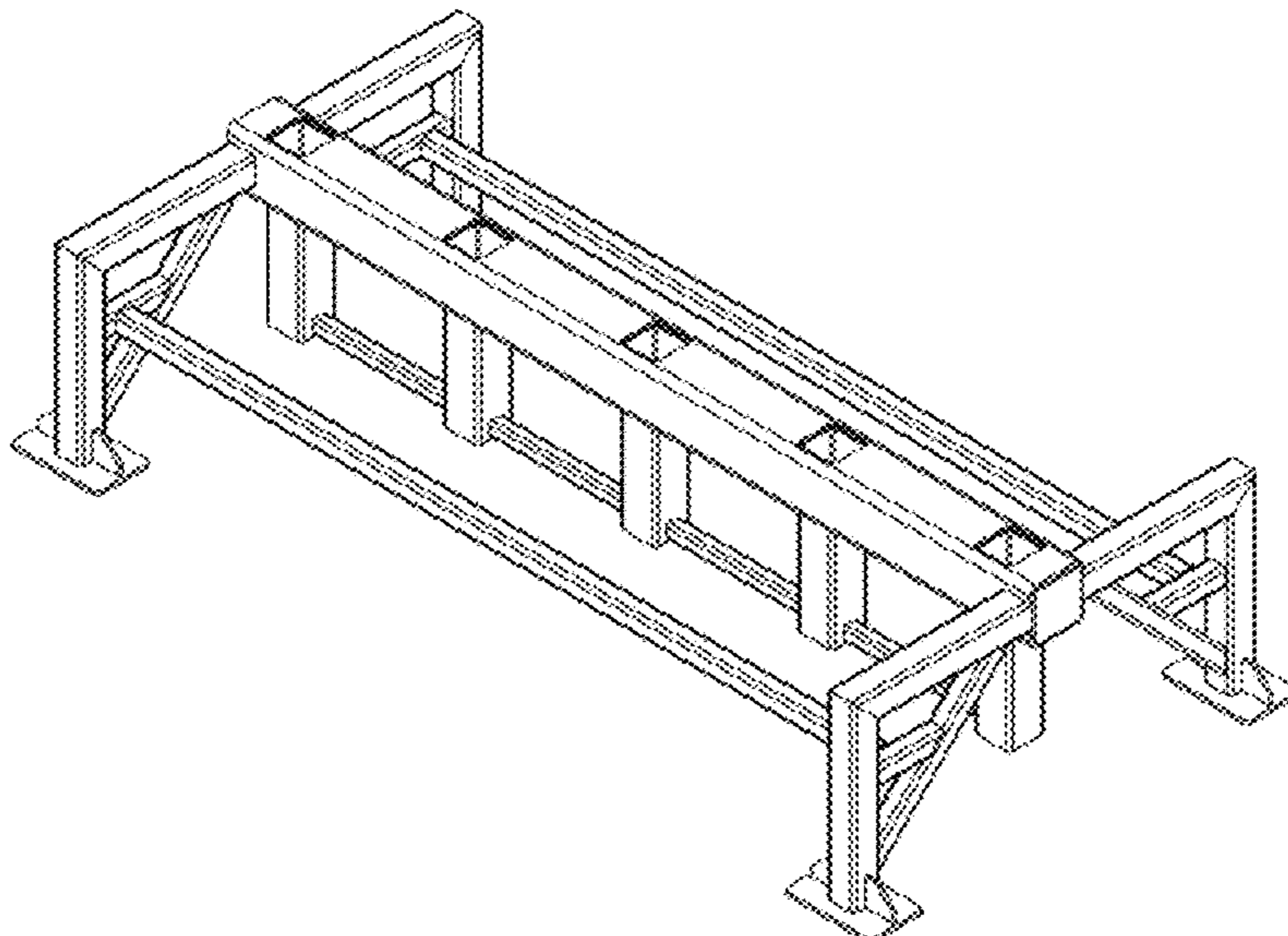
(57) **CLAIM**

I claim the ornamental design for an excavator hydraulic breaker rack, as shown and described.

DESCRIPTION

FIG. 1 illustrates an upper, forward, side perspective view of an excavator hydraulic breaker rack in accordance with the present invention;
FIG. 2 illustrates an environmental, upper, forward, side perspective view of an excavator hydraulic breaker rack in accordance with the present invention;
FIG. 3 illustrates a forward perspective view of an excavator hydraulic breaker rack in accordance with the present invention;
FIG. 4 illustrates a left side perspective view of an excavator hydraulic breaker rack in accordance with the present invention;
FIG. 5 illustrates a right side perspective view of an excavator hydraulic breaker rack in accordance with the present invention;
FIG. 6 illustrates a top perspective view of an excavator hydraulic breaker rack in accordance with the present invention; and,
FIG. 7 illustrates a rearward perspective view of an excavator hydraulic breaker rack in accordance with the present invention.
The broken lines show excavator hydraulic breakers stored on the rack that form no part of the claimed design.

1 Claim, 7 Drawing Sheets



(56)

References Cited

U.S. PATENT DOCUMENTS

4,546,891 A * 10/1985 Lanigan, Sr. B66C 19/007
 212/327
 4,588,165 A * 5/1986 Stellato B25H 1/0007
 254/124
 4,941,786 A * 7/1990 Steinbock E02F 3/386
 172/667
 D367,314 S * 2/1996 Nilsson D15/28
 D378,457 S * 3/1997 Page D34/28
 D446,052 S * 8/2001 Bourne D6/678.4
 6,279,763 B1 * 8/2001 Bush A47B 43/00
 108/55.1
 D461,762 S * 8/2002 Scott D12/418
 D463,778 S * 10/2002 Hsu D13/184
 D466,269 S * 11/2002 Falland D34/38
 D487,365 S * 3/2004 Bourne D6/675
 D488,905 S * 4/2004 DiStaulo D34/28
 D541,555 S * 5/2007 Falland D6/675.5
 D605,422 S * 12/2009 Wenning D6/672
 8,210,374 B2 * 7/2012 Harpole B65D 19/12
 211/194

D732,788 S * 6/2015 Drummond D34/33
 2011/0206491 A1 * 8/2011 Olivier E21B 19/14
 414/800
 2012/0234780 A1 * 9/2012 Hokanson E21B 19/14
 211/69
 2013/0001179 A1 * 1/2013 Harpole B65D 19/12
 211/59.4
 2014/0263505 A1 * 9/2014 Meyers F04B 17/06
 224/401
 2015/0209954 A1 * 7/2015 Hokanson B25H 3/04
 52/741.14
 2015/0209955 A1 * 7/2015 Hokanson B25H 3/003
 212/270

OTHER PUBLICATIONS

HBR—3, first available date Apr. 20, 2020, [Online], [Site Visited
 Apr. 21, 2020] Available From Internet, URL:<<https://www.augerrack.com/hbr-3.html>> (Year: 2020).*

* cited by examiner

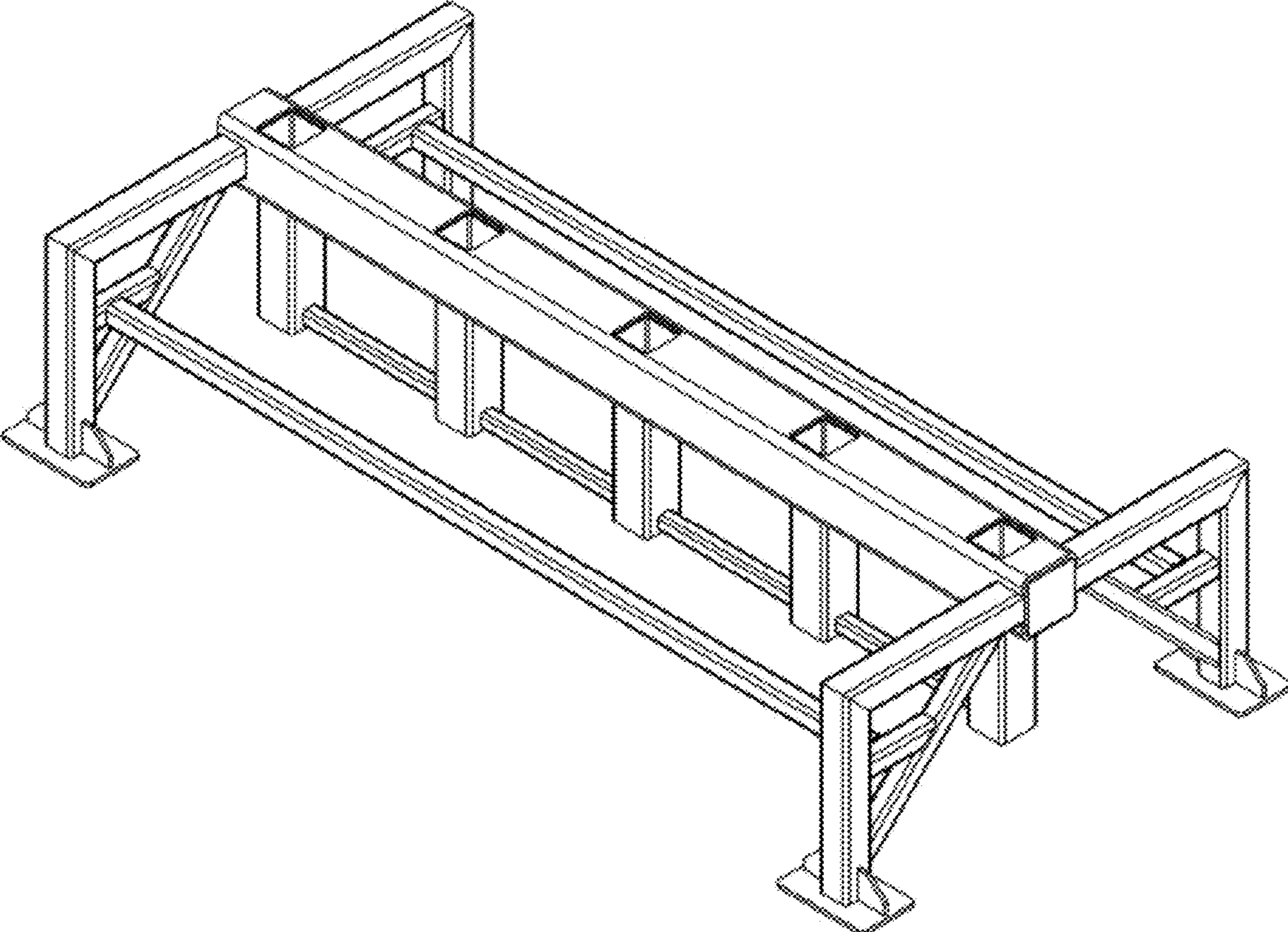


FIG. 1

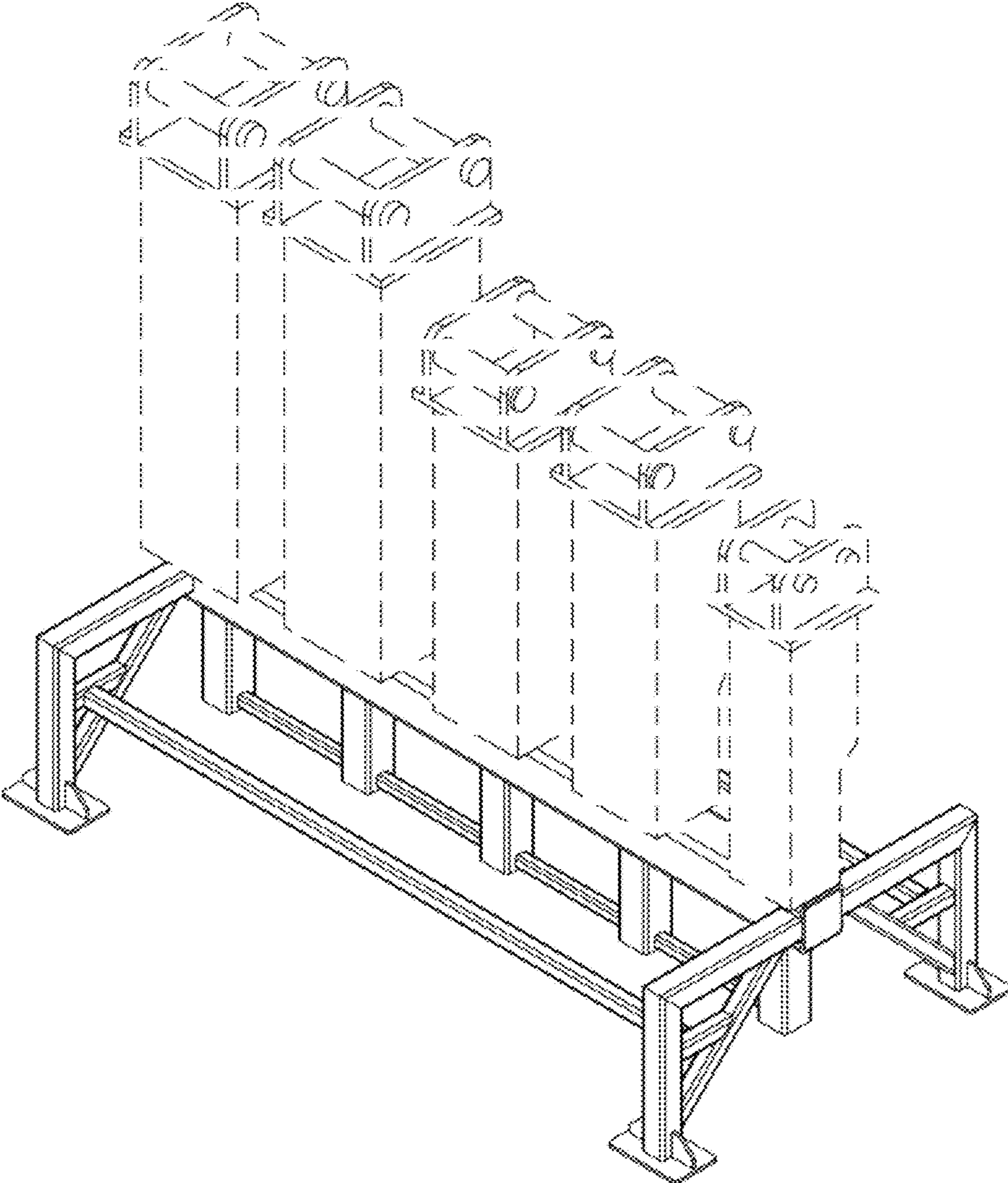


FIG. 2

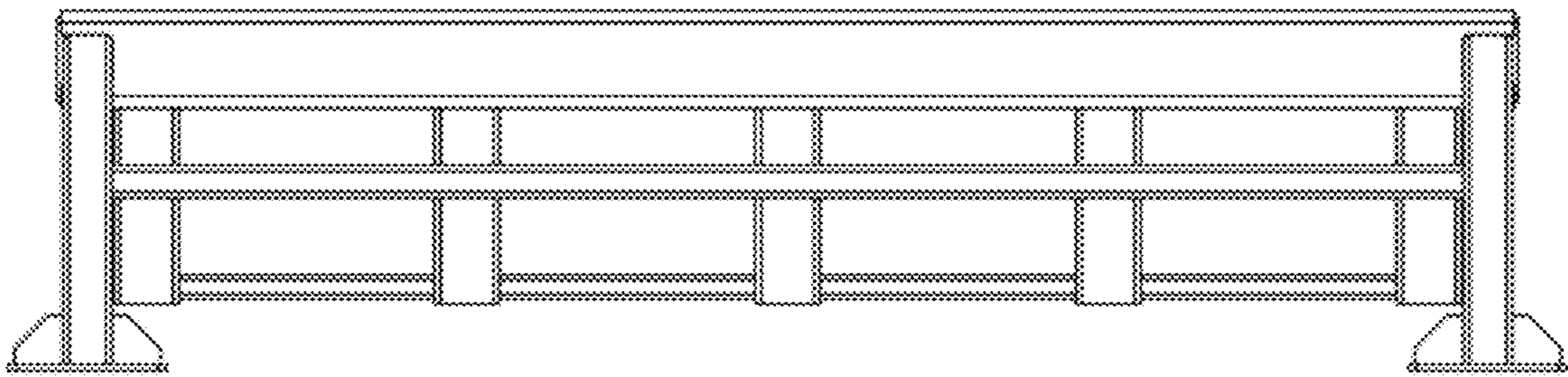


FIG. 3

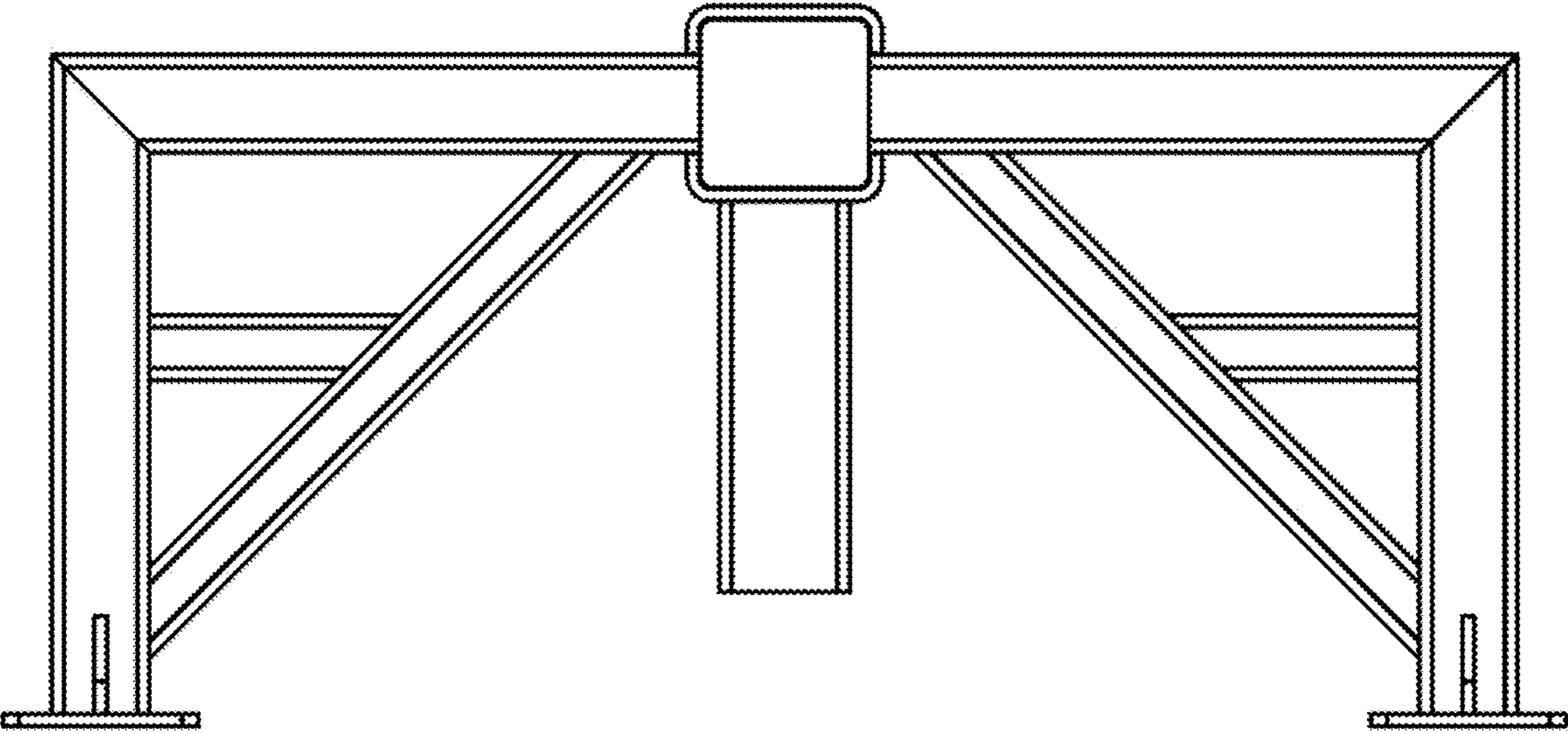


FIG. 4

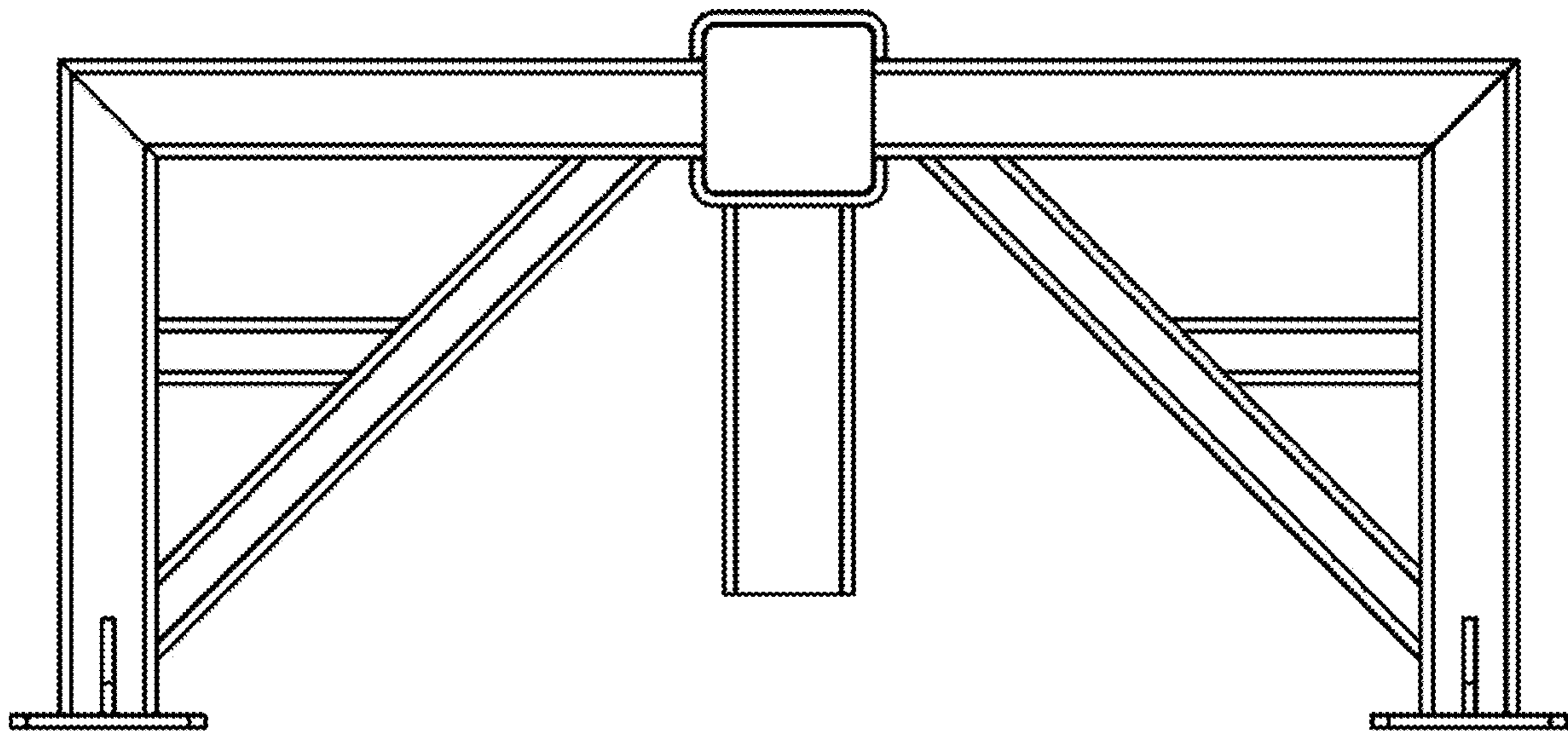


FIG. 5

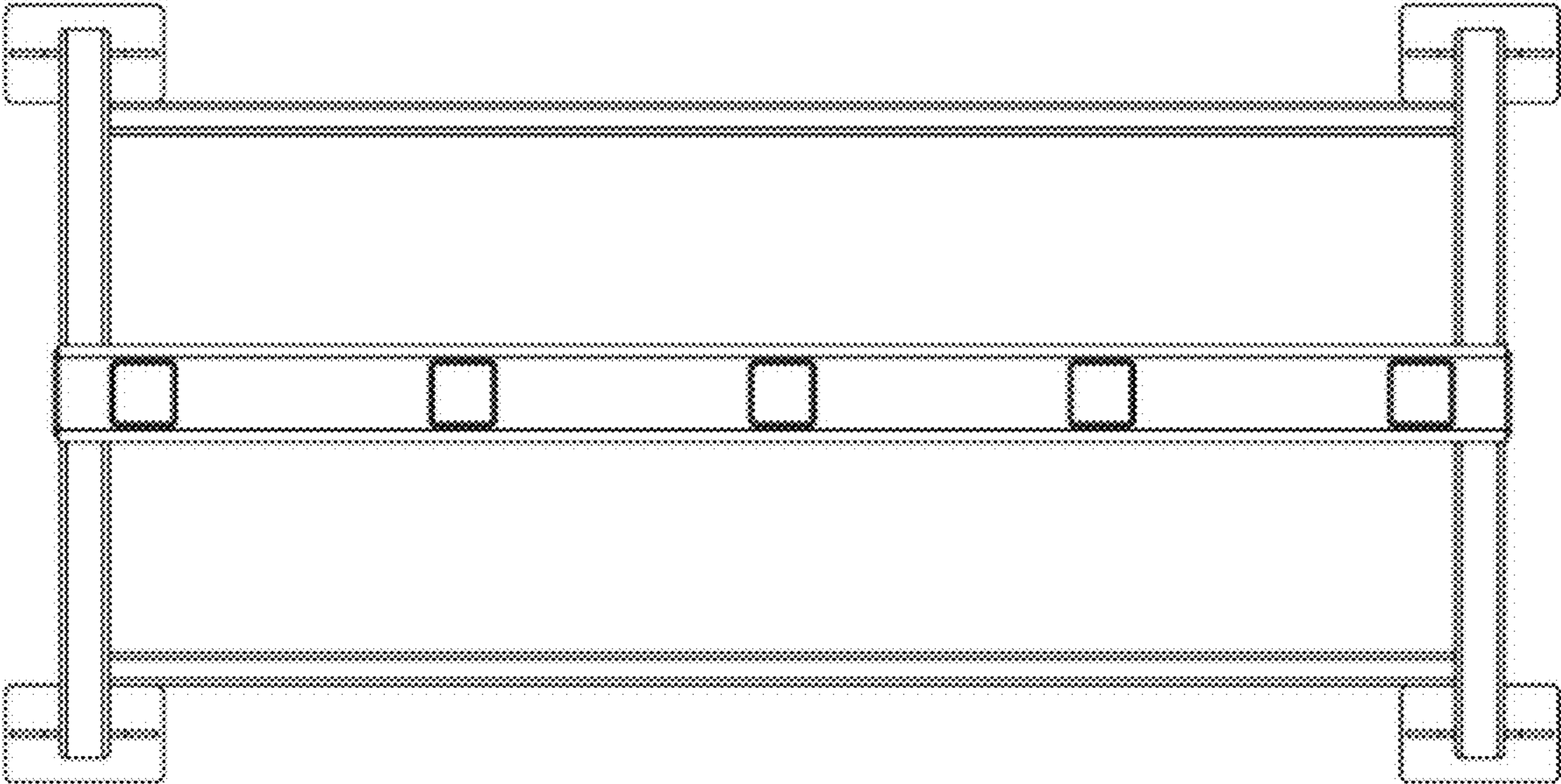


FIG. 6

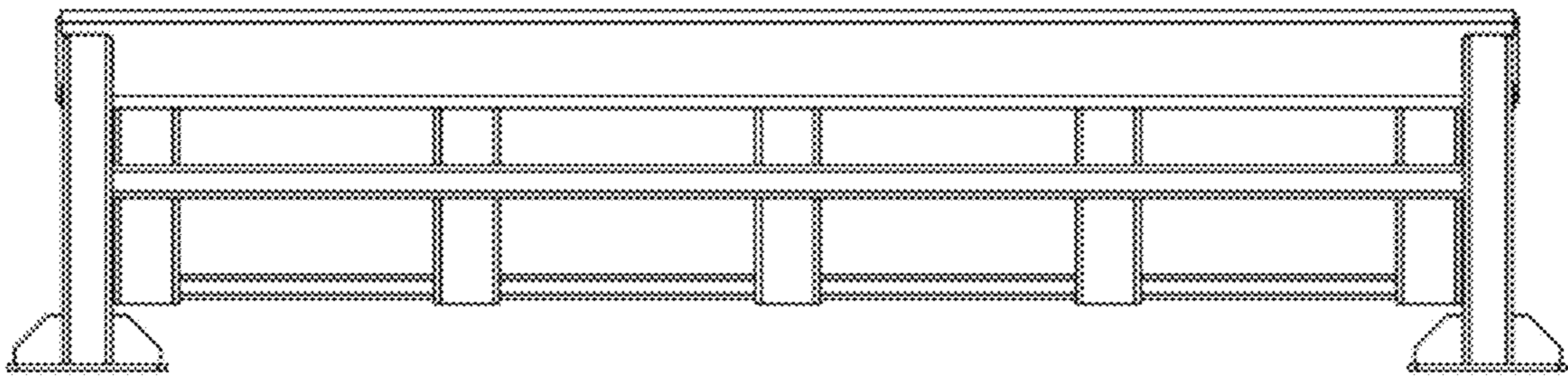


FIG. 7