



US00D918273S

(12) **United States Design Patent**
Gonzalez

(10) **Patent No.:** **US D918,273 S**

(45) **Date of Patent:** **** May 4, 2021**

(54) **SHOE AND FLOAT COLLAR DEVICE**

(71) Applicant: **Dana Gonzalez**, Edinburg, TX (US)

(72) Inventor: **Dana Gonzalez**, Edinburg, TX (US)

(**) Term: **15 Years**

(21) Appl. No.: **29/691,105**

(22) Filed: **May 14, 2019**

(51) **LOC (13) Cl.** **15-03**

(52) **U.S. Cl.**
USPC **D15/21**

(58) **Field of Classification Search**
USPC D15/10, 21; 166/384, 241.1–241.7, 213,
166/173, 208, 382; 175/325.5, 325.1,
175/325.2, 325.3; 138/108, 112;
228/155; 72/393

CPC .. E21B 17/10; E21B 17/1042; E21B 17/1078;
E21B 19/24; E21B 19/12; E21B 4/18

See application file for complete search history.

(56) **References Cited**

U.S. PATENT DOCUMENTS

2,855,052	A *	10/1958	Wright	E21B 37/02
					166/243
2,962,313	A *	11/1960	Conrad	E21B 17/1028
					403/362
3,652,138	A *	3/1972	Collett	E21B 17/105
					175/325.7
4,363,360	A *	12/1982	Richey	E21B 17/1028
					166/241.7
8,074,712	B2 *	12/2011	Olsen	E21B 17/1028
					166/241.6
D662,952	S *	7/2012	Kirk	D15/21
D663,750	S *	7/2012	Andrigo	D15/21
D674,818	S *	1/2013	Andrigo	D15/21
D718,342	S *	11/2014	Buytaert	D15/21
D743,447	S *	11/2015	Neel	D15/21
D763,324	S *	8/2016	Fitzhugh	D15/21

D802,790	S *	11/2017	Tauchi	D24/232
D833,581	S *	11/2018	Atwell	D23/259
D840,365	S *	2/2019	Ichino	D13/182
D857,198	S *	8/2019	Jamison	D24/140
D861,876	S *	10/2019	Winters	D24/176
D896,675	S *	9/2020	DiMartini	D10/128
D898,979	S *	10/2020	Silver	D26/88
2008/0035331	A1 *	2/2008	Buytaert	E21B 17/00
					166/241.6
2009/0255666	A1 *	10/2009	Olsen	E21B 17/1028
					166/208
2012/0061076	A1 *	3/2012	McDaniel	E21B 17/10
					166/241.6
2019/0032431	A1 *	1/2019	Marr	E21B 17/1078

(Continued)

Primary Examiner — Mark A Goodwin

(74) *Attorney, Agent, or Firm* — Law Office of Jeff Williams PLLC; J. Oliver Williams

(57) **CLAIM**

The ornamental design for a shoe and float collar device, as shown.

DESCRIPTION

FIG. 1 is a perspective view of a shoe and float collar device according to the present application.

FIG. 2 is a front view of the shoe and float collar device of FIG. 1.

FIG. 3 is a back view of the shoe and float collar device of FIG. 1.

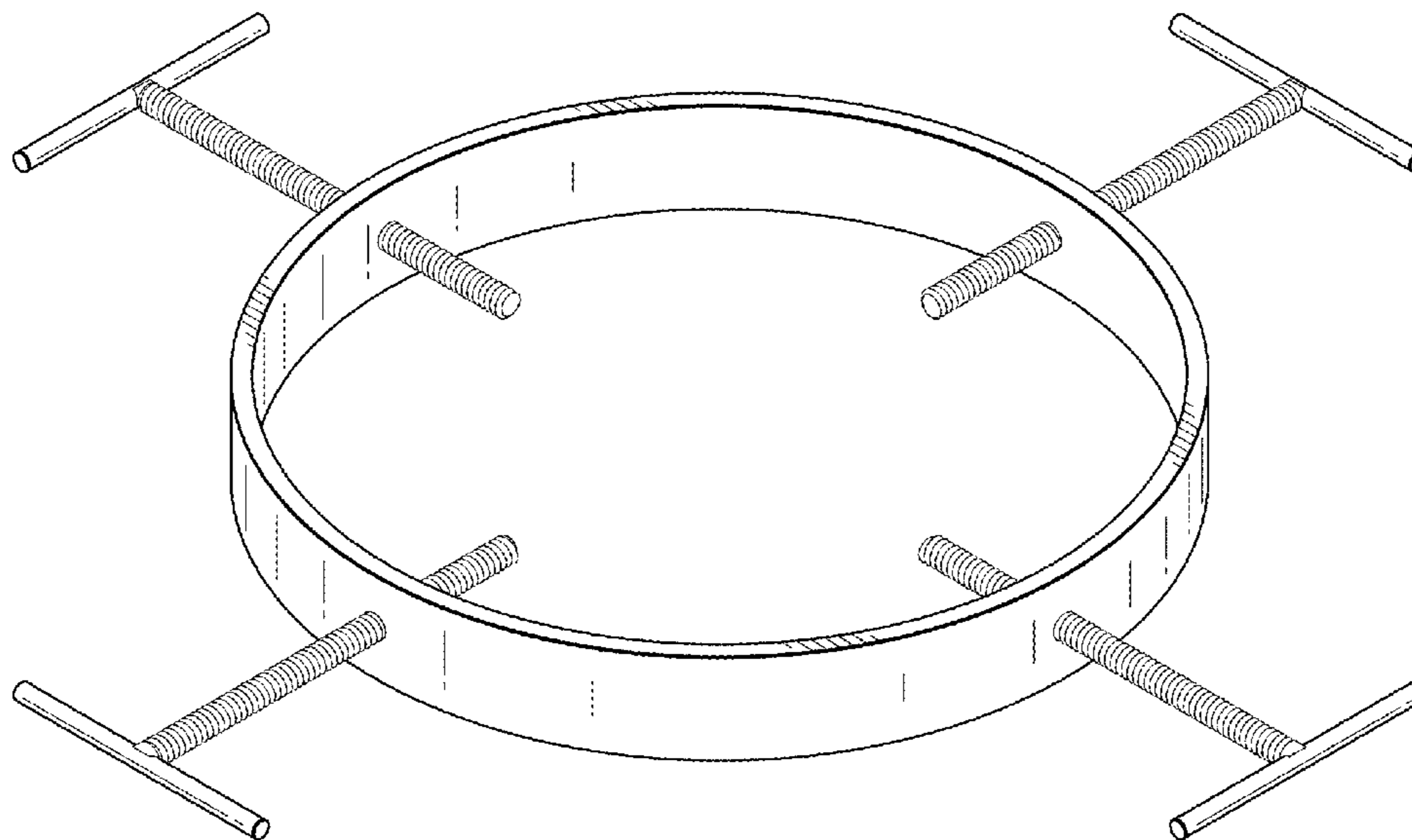
FIG. 4 is a right view of the shoe and float collar device of FIG. 1.

FIG. 5 is a left view of the shoe and float collar device of FIG. 1.

FIG. 6 is a top view of the shoe and float collar device of FIG. 1; and,

FIG. 7 is a bottom view of the shoe and float collar device of FIG. 1.

1 Claim, 4 Drawing Sheets



(56)

References Cited

U.S. PATENT DOCUMENTS

2019/0145187 A1* 5/2019 Steine E21B 10/26
166/380
2019/0242199 A1* 8/2019 Al-Qasim E21B 17/1057

* cited by examiner

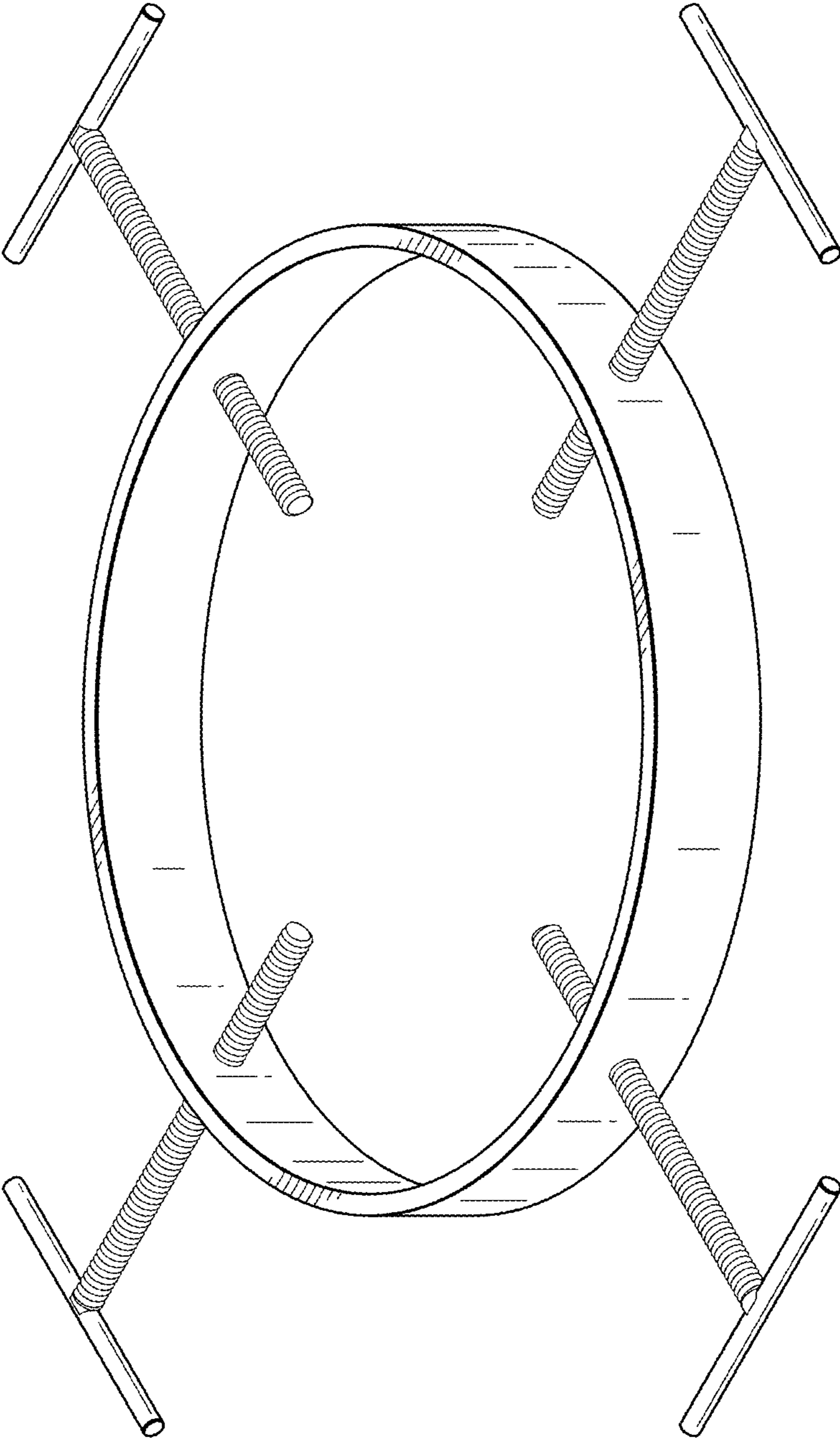


FIG. 1



FIG. 2

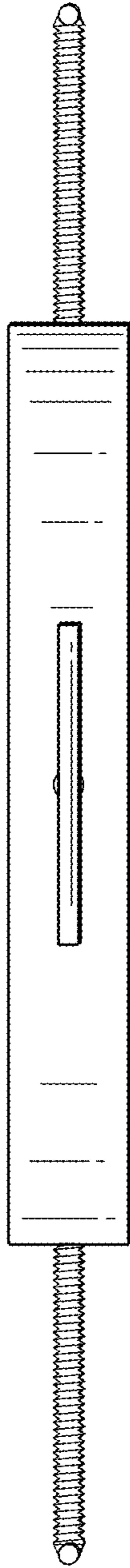


FIG. 3

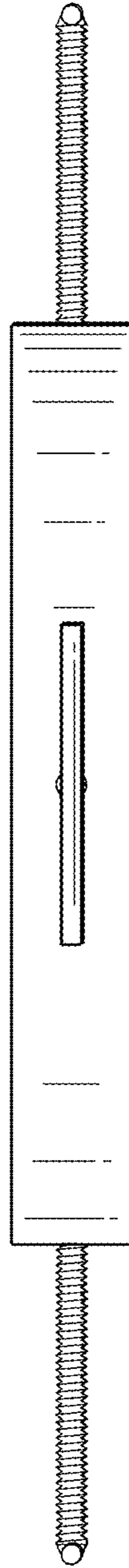


FIG. 4

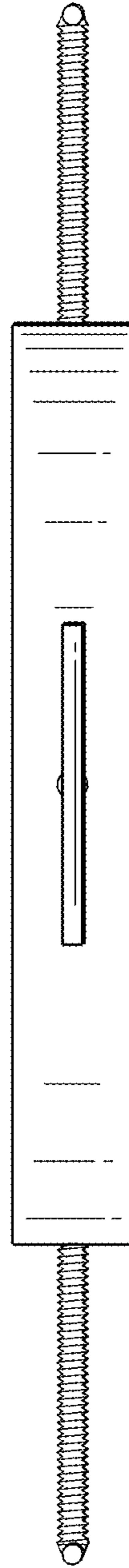


FIG. 5

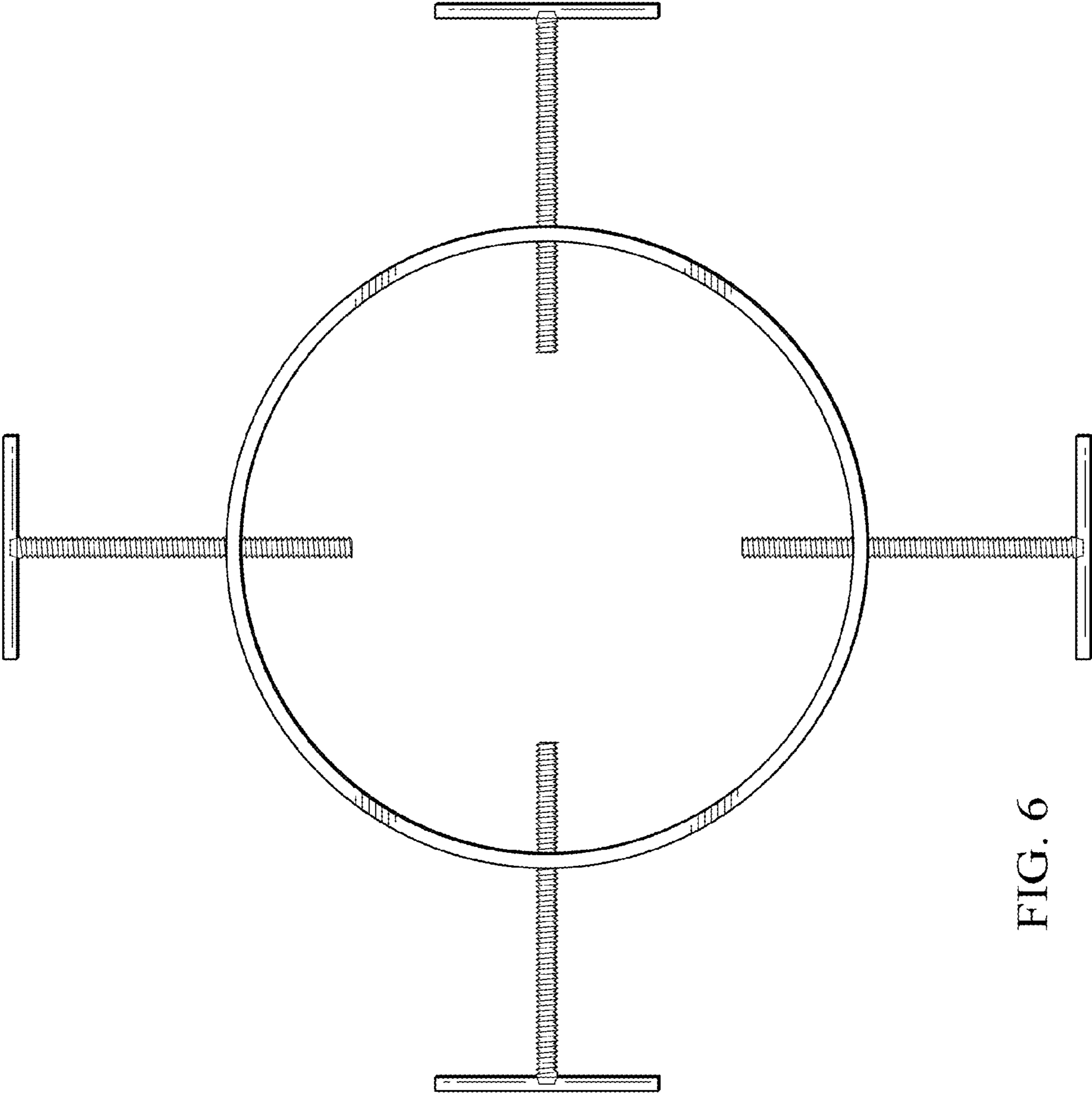


FIG. 6

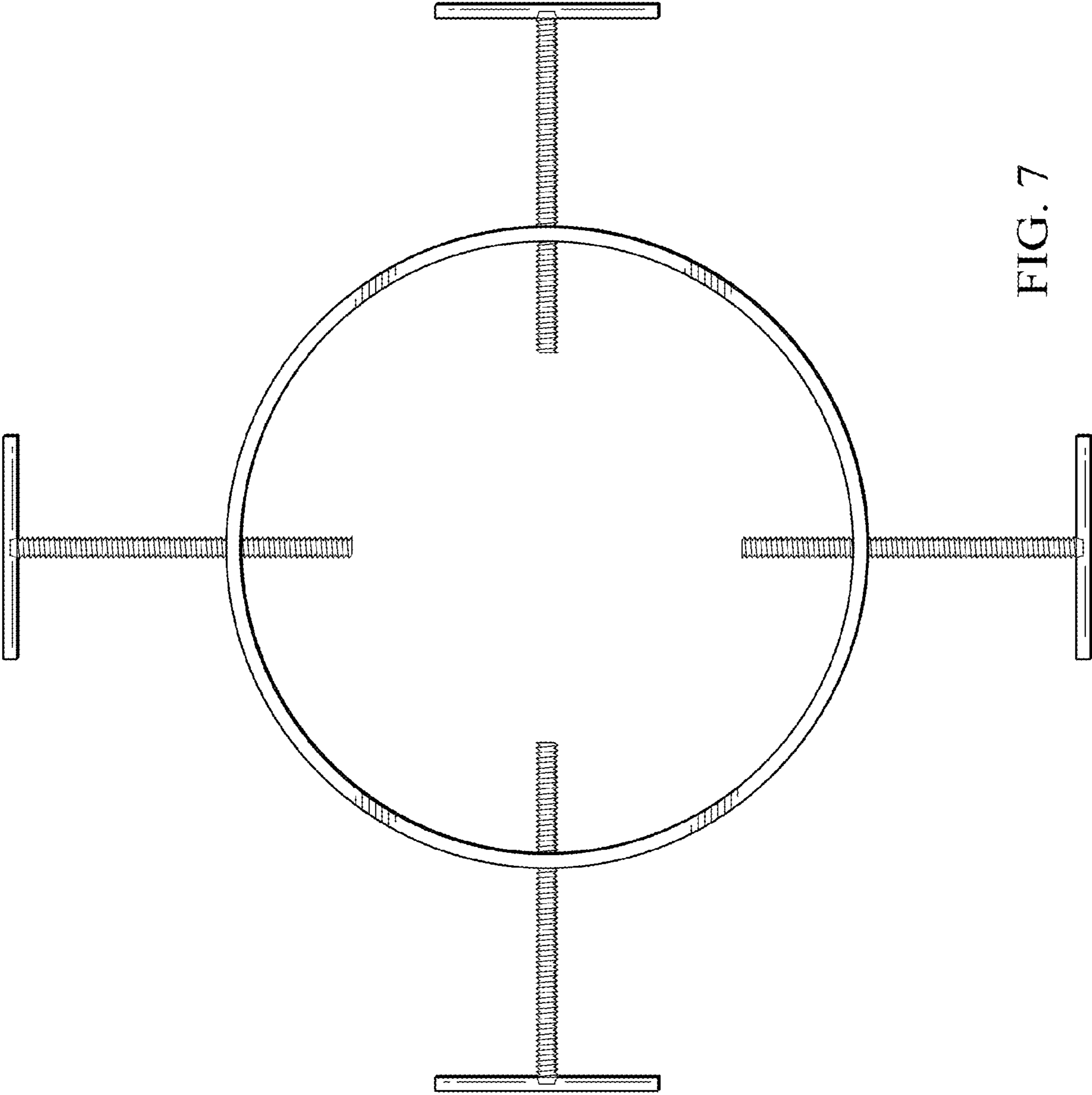


FIG. 7