



US00D918272S

(12) **United States Design Patent** (10) **Patent No.:** **US D918,272 S**
Morris et al. (45) **Date of Patent:** **** May 4, 2021**

(54) **ELECTRONICS HEAD**

(56) **References Cited**

(71) Applicant: **Wayne Fueling Systems LLC**, Austin, TX (US)
(72) Inventors: **John Joseph Morris**, Austin, TX (US); **Scott R. Negley, III**, Austin, TX (US); **Annika Birkler**, Austin, TX (US); **Sam Moon**, Austin, TX (US); **Randal S. Kretzler**, Austin, TX (US); **Brian Tholen**, Austin, TX (US); **Daniel Holmes**, Austin, TX (US); **Artemus A. Shelton**, Hutto, TX (US); **Henry Fieglein**, Leander, TX (US); **Paul Laiming**, Austin, TX (US); **Lucas Wade**, Austin, TX (US)

U.S. PATENT DOCUMENTS

D436,630	S	*	1/2001	Gonsiorowski	D20/10
D554,710	S	*	11/2007	Malone	D14/305
D566,702	S	*	4/2008	Malone	D14/307
D611,047	S		3/2010	Smith et al.		
D626,353	S	*	11/2010	Magruder	D14/307
D626,544	S		11/2010	Bleck et al.		
D645,223	S	*	9/2011	Bleck	D99/28
D708,676	S	*	7/2014	Ballman	D21/369
D716,792	S		11/2014	Raymonde Looze		
D718,338	S	*	11/2014	Helgesson	D15/9.2
D752,573	S		3/2016	Ballman et al.		
D782,465	S		3/2017	Chen et al.		
D809,068	S	*	1/2018	Ballman	D21/369
D810,146	S	*	2/2018	Reiter	D15/9.2

(Continued)

(73) Assignee: **Wayne Fueling Systems LLC**, Austin, TX (US)

Primary Examiner — Austin Murphy

(**) Term: **15 Years**

(74) *Attorney, Agent, or Firm* — Mintz Levin Cohn Ferris Glovsky and Popeo, PC; Lisa Adams

(21) Appl. No.: **29/751,756**

(57) **CLAIM**

(22) Filed: **Sep. 23, 2020**

The ornamental design for an electronics head, as shown and described.

Related U.S. Application Data

(62) Division of application No. 29/679,724, filed on Feb. 8, 2019, now Pat. No. Des. 897,336.

(51) **LOC (13) Cl.** **14-02**

(52) **U.S. Cl.**
USPC **D15/9.2; D14/307**

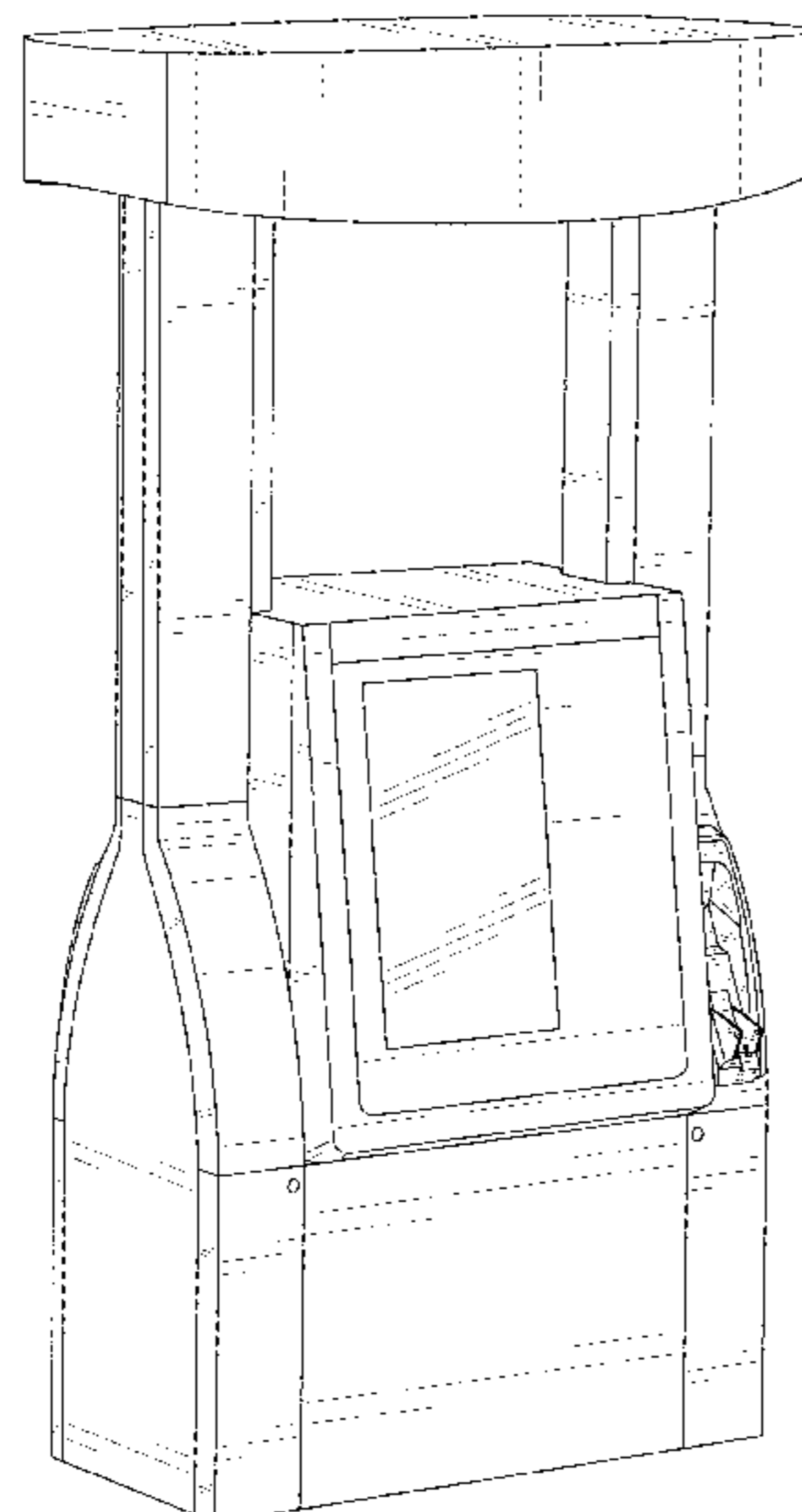
(58) **Field of Classification Search**
USPC D14/302-307, 900-902; D13/163; D20/10; D21/332, 325, 369, 370; D99/28; D6/397, 466; D15/9.2; 361/679.01, 679.02, 679.04, 679.21, 361/679.57, 725
CPC G06Q 20/18; G06Q 20/10; G06Q 20/123; G06Q 20/20; G06Q 30/02; G06Q 30/06; A47F 9/047

See application file for complete search history.

DESCRIPTION

FIG. 1 is a perspective view of a new design of an electronics head shown on a fuel dispenser; FIG. 2 is front view of the electronics head of FIG. 1, the back view being a mirror image thereof; FIG. 3 is a left view of the electronics head of FIG. 1; FIG. 4 is a right view of the electronics head of FIG. 1; FIG. 5 is a top view of the electronics head of FIG. 1; and, FIG. 6 is a bottom view of the electronics head of FIG. 1. The broken lines in the drawings form no part of the claimed design.

1 Claim, 4 Drawing Sheets



(56)

References Cited

U.S. PATENT DOCUMENTS

D828,348 S	9/2018	Lee et al.	
D841,000 S *	2/2019	Matusow	D14/307
10,445,971 B2 *	10/2019	Fieglein	G06Q 20/123
D881,184 S *	4/2020	Frezal	D14/307
D897,336 S *	9/2020	Morris	D14/307

* cited by examiner

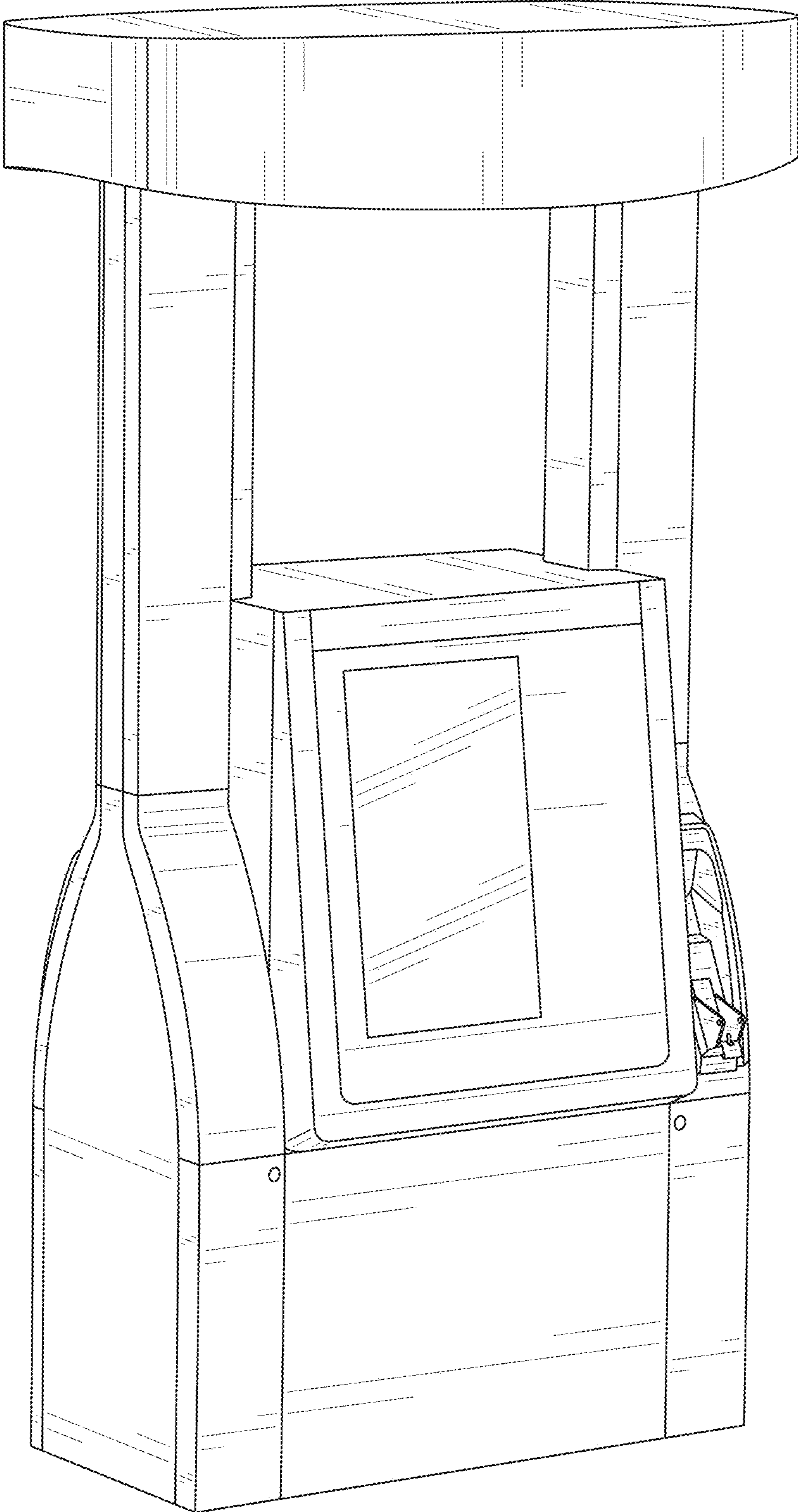


FIG. 1

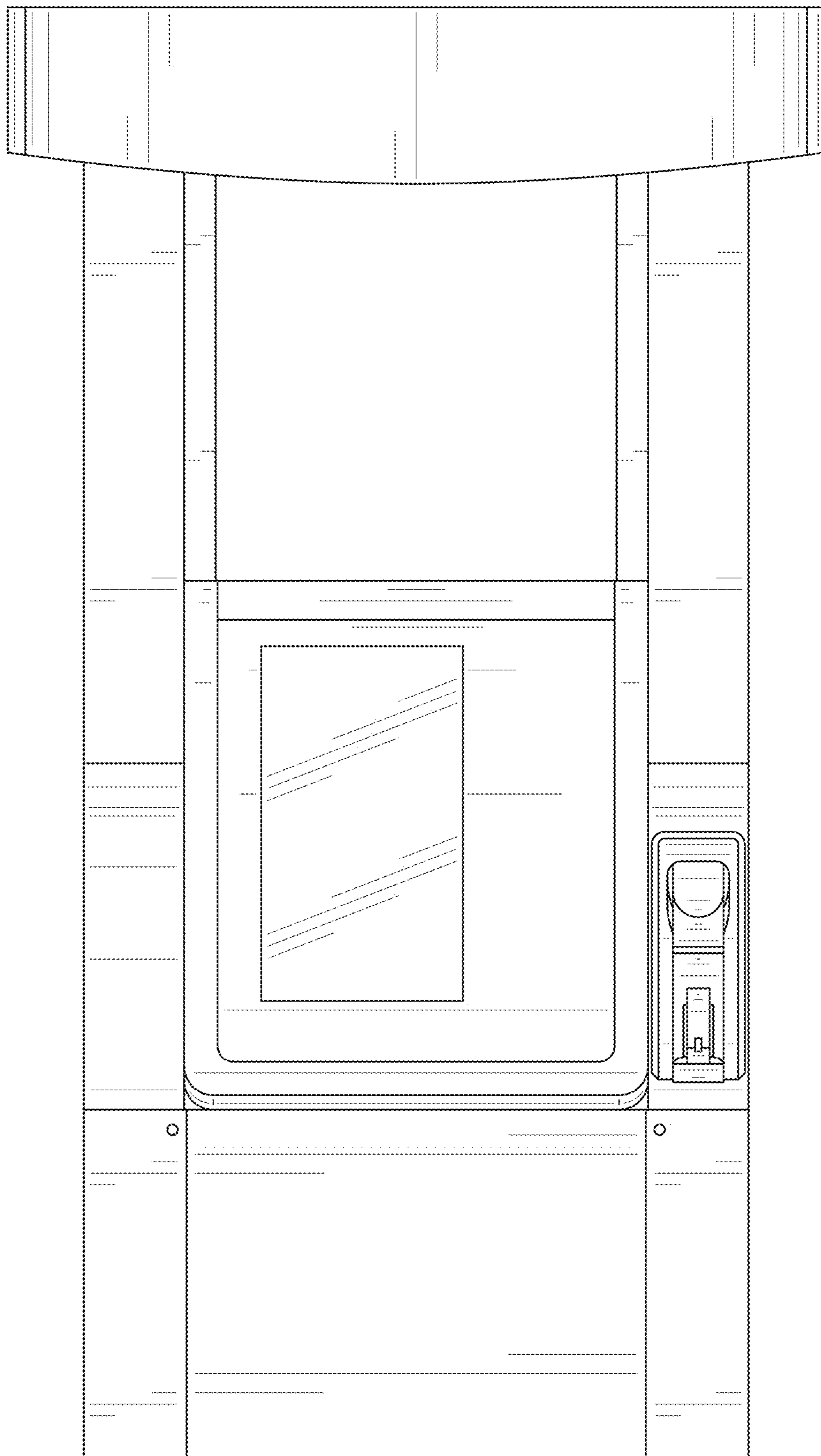


FIG. 2

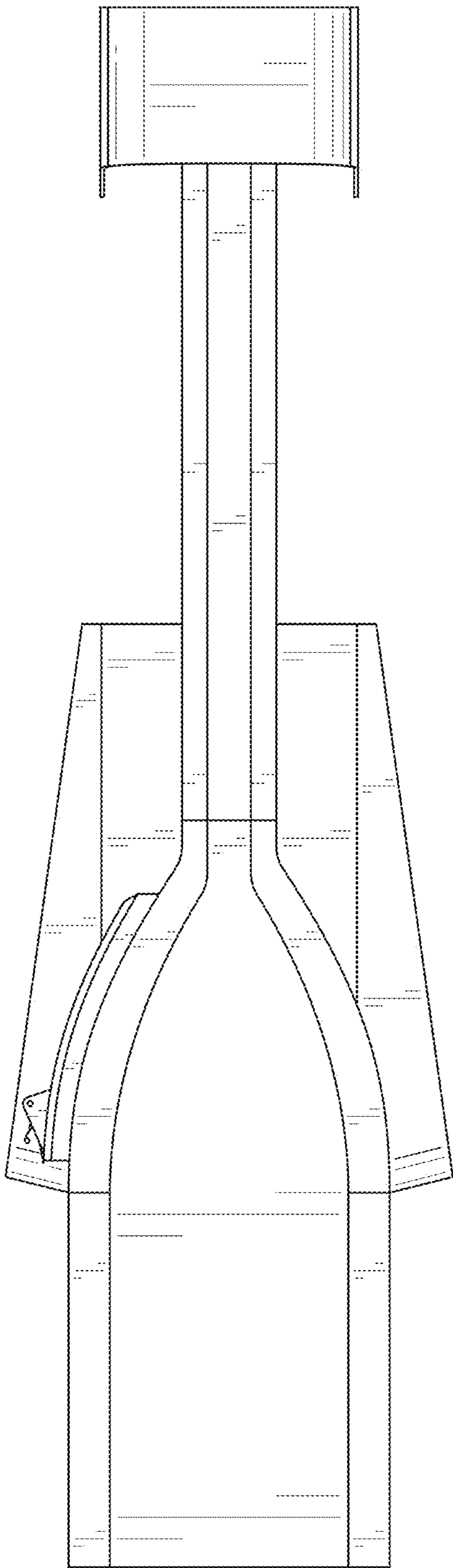


FIG. 3

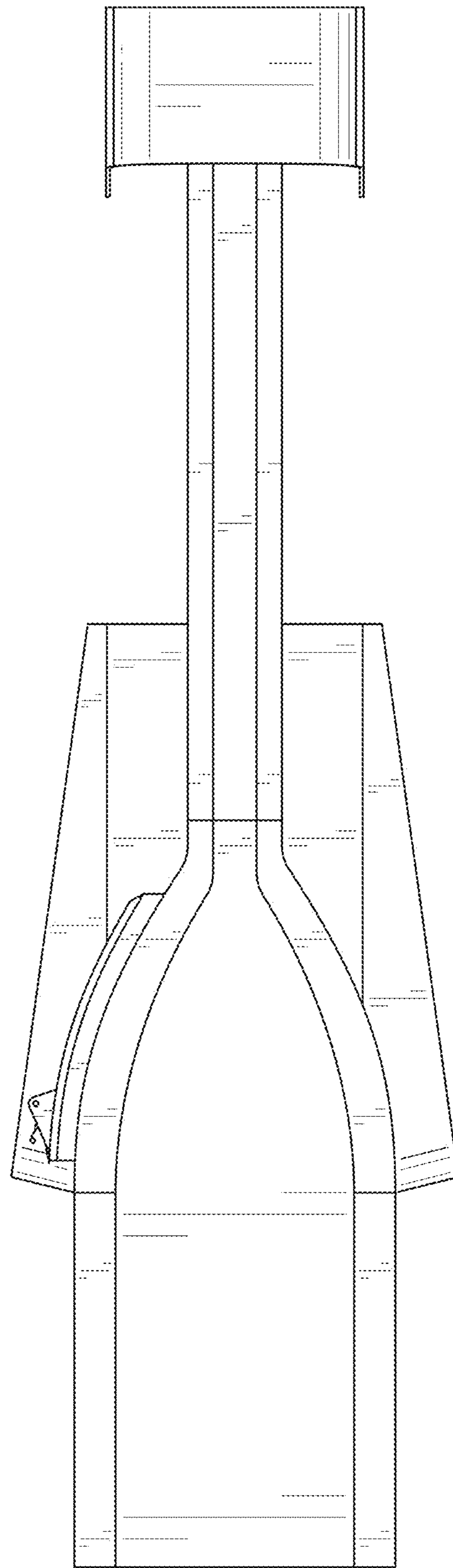


FIG. 4

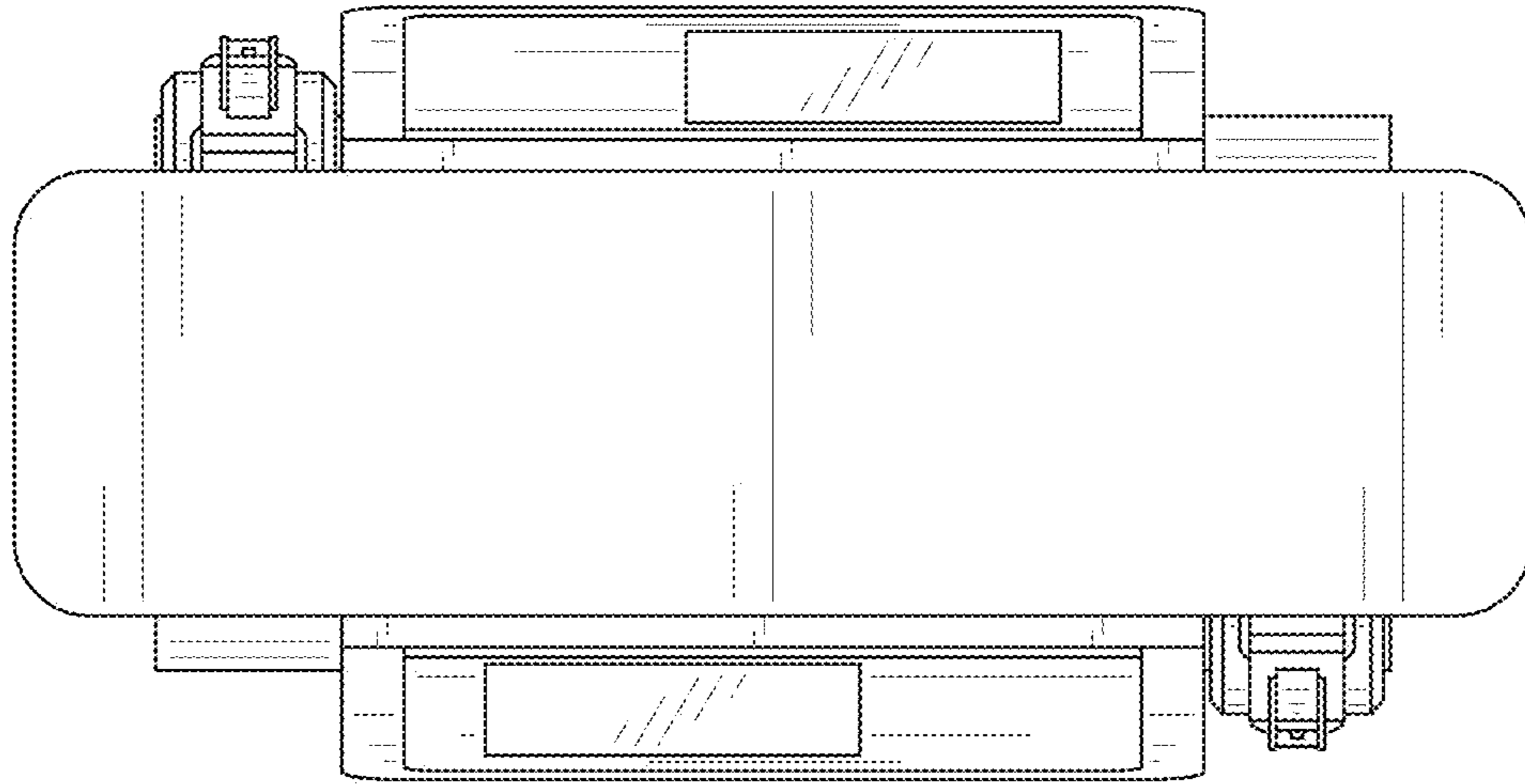


FIG. 5

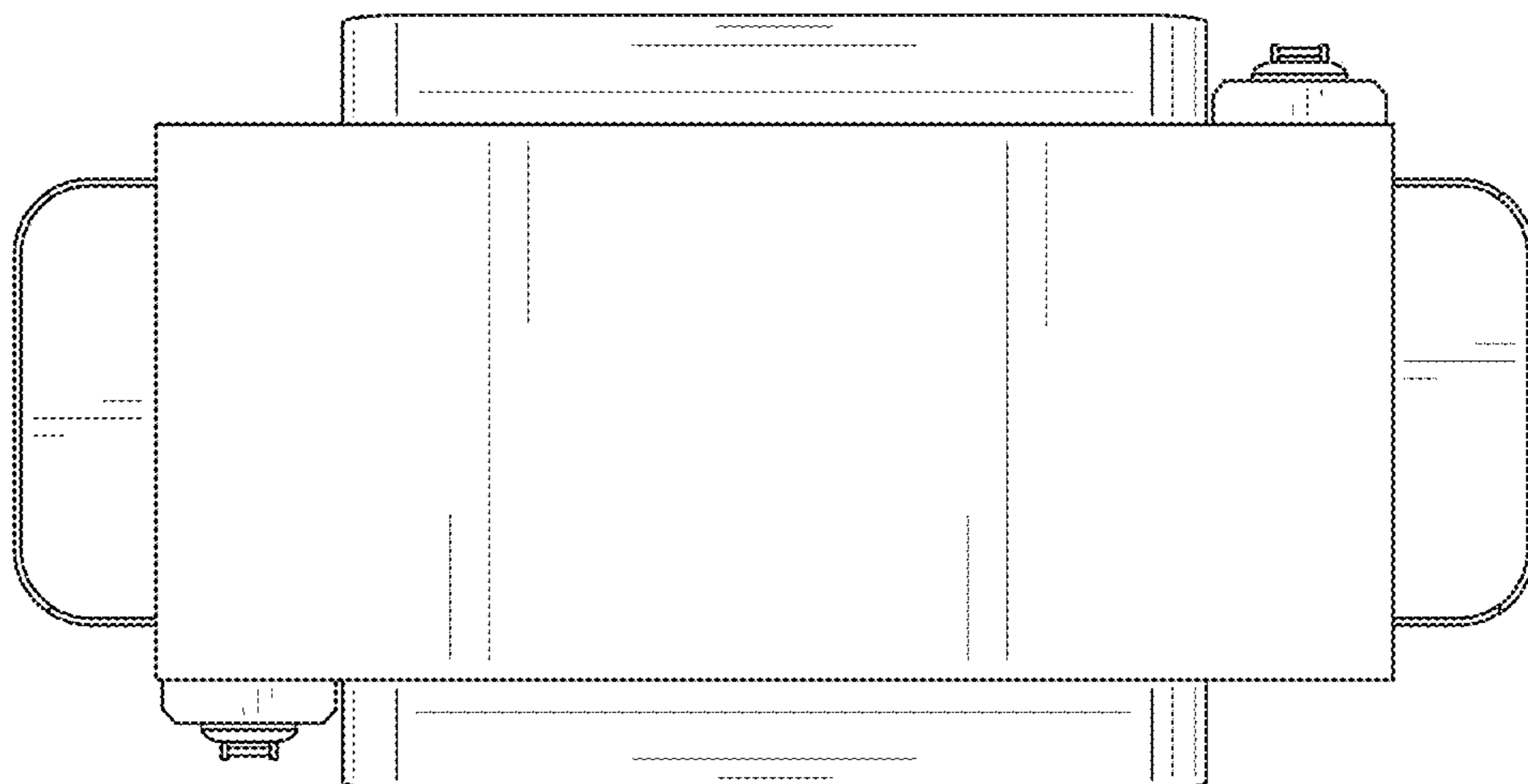


FIG. 6