



US00D918271S

(12) **United States Design Patent** (10) **Patent No.:** **US D918,271 S**
Chu (45) **Date of Patent:** **** May 4, 2021**

(54) **AIR COMPRESSOR**

(71) Applicant: **Henry C. Chu**, Orange, CA (US)

(72) Inventor: **Henry C. Chu**, Orange, CA (US)

(**) Term: **15 Years**

(21) Appl. No.: **29/706,090**

(22) Filed: **Sep. 18, 2019**

(51) **LOC (13) Cl.** **15-02**

(52) **U.S. Cl.**
USPC **D15/9**

(58) **Field of Classification Search**
USPC D15/7-9; D23/225, 231, 232, 356, 366;
D9/689, 529; D12/114
CPC F04B 53/14; F04B 53/92; F04B 33/00;
F04B 33/005; F04B 1/005; F04B 39/102;
F04D 13/06; F04D 29/60; F04D 29/22;
F04D 29/046; F04D 29/2266; F16K
11/048; F16K 15/20; F16K 31/602; F16L
37/18; F16L 37/20; F16L 25/00; B23P
11/00
See application file for complete search history.

D603,876 S * 11/2009 Chu D15/9
D603,877 S * 11/2009 Chu D15/9
D613,635 S * 4/2010 Chu D15/9
D613,636 S * 4/2010 Chu D15/9
D617,348 S * 6/2010 Chu D15/9
D623,666 S * 9/2010 Chu D15/9
D666,223 S * 8/2012 Chen D15/9
D668,680 S * 10/2012 Chen D15/9

(Continued)

OTHER PUBLICATIONS

Denso, Denso 471-1407 New Compressor with Clutch, (first available Jan. 2, 2007), Amazon.com, URL:<<https://www.amazon.com/Denso-471-1407-New-Compressor-Clutch/dp/B001UCGHZ4>> (Year: 2007).*

(Continued)

Primary Examiner — Sheryl Lane
Assistant Examiner — Mark T. Philipps
(74) *Attorney, Agent, or Firm* — Browdy and Neimark, PLLC

(57) **CLAIM**

The ornamental design for an air compressor, as shown and described.

(56) **References Cited**

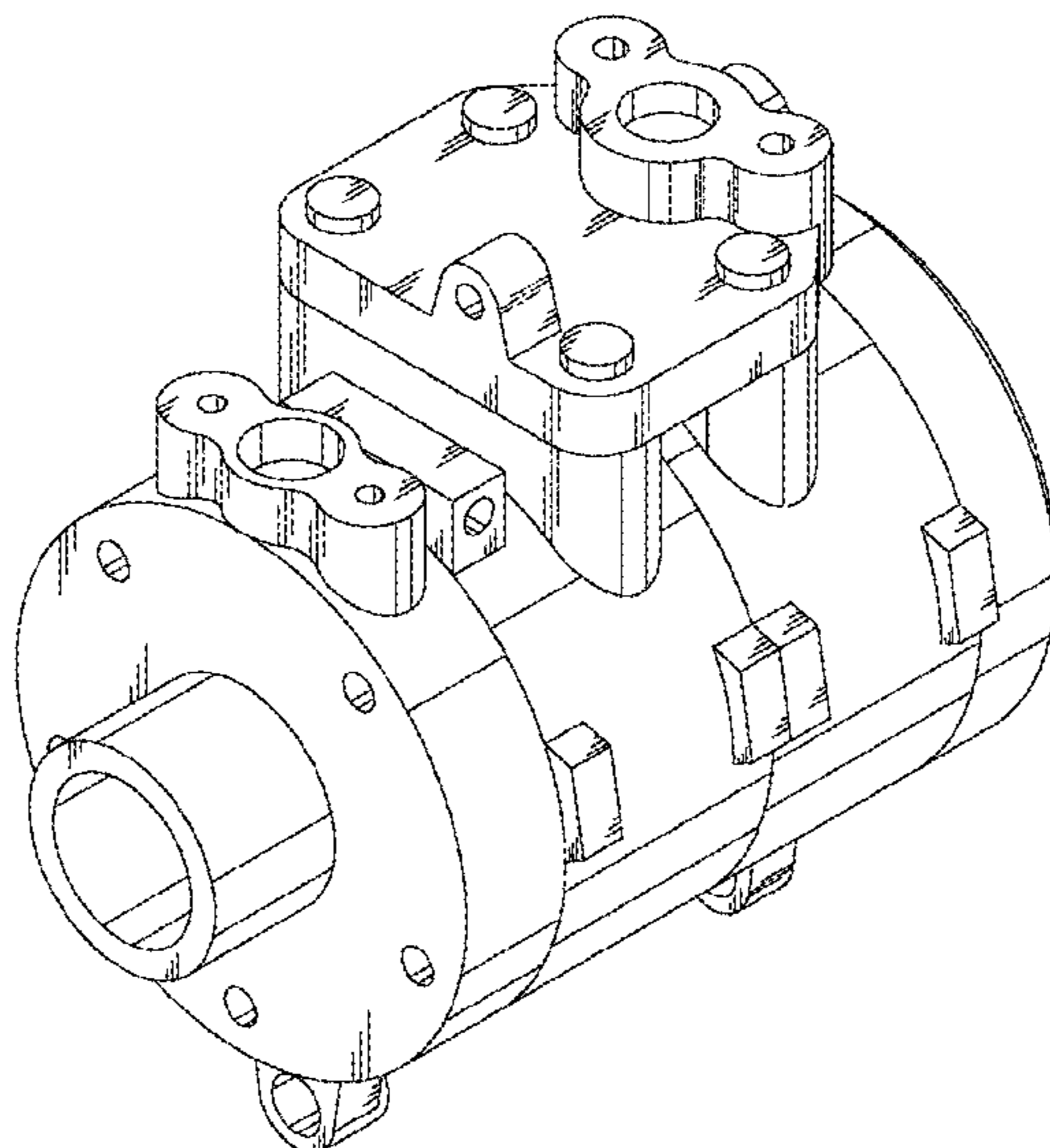
U.S. PATENT DOCUMENTS

D381,340 S * 7/1997 Takenaka D15/9
D381,993 S * 8/1997 Takenaka D15/9
D405,455 S * 2/1999 Leu D15/9
D435,856 S * 1/2001 Kato D15/9
D466,524 S * 12/2002 Makino D15/9
D466,525 S * 12/2002 Makino D15/9
D470,155 S * 2/2003 Makino D15/9
D486,835 S * 2/2004 Hsiao D15/9
D537,452 S * 2/2007 Chu D15/9
D537,843 S * 3/2007 Chu D15/9
D538,301 S * 3/2007 Chu D15/9
D540,823 S * 4/2007 An D15/9
D541,820 S * 5/2007 Chu D15/9
D549,242 S * 8/2007 Chu D15/9
D583,392 S * 12/2008 Chu D15/9

DESCRIPTION

FIG. 1 is a front and upper perspective view of an air compressor showing my new design; FIG. 2 is a front elevational view thereof; FIG. 3 is a rear elevational view thereof; FIG. 4 is a top plan view thereof; FIG. 5 is a bottom plan view thereof; FIG. 6 is a left side elevational view thereof; FIG. 7 is a right side elevational view thereof; FIG. 8 is a rear and upper perspective view thereof; and, FIG. 9 is a front and lower perspective view thereof. The short dash long dash broken lines define the bounds of the claimed design and form no part thereof.

1 Claim, 9 Drawing Sheets



(56)

References Cited

U.S. PATENT DOCUMENTS

D668,681	S	*	10/2012	Chen	D15/9
D672,788	S	*	12/2012	Chen	D15/9
D678,341	S	*	3/2013	Chen	D15/9
D695,789	S	*	12/2013	Nam	D15/9
D710,906	S	*	8/2014	Park	D15/9
D710,907	S	*	8/2014	Lim	D15/9
D710,908	S	*	8/2014	Son	D15/9
D715,327	S	*	10/2014	Lim	D15/9
D719,979	S	*	12/2014	Son	D15/9
D732,085	S	*	6/2015	Park	D15/9
D735,244	S	*	7/2015	Jeong	D15/9
D759,334	S	*	6/2016	Aoki	D34/28
D788,179	S	*	5/2017	Theiss	D15/7
D803,270	S	*	11/2017	Chen	D15/9
D819,702	S	*	6/2018	Chu	D15/9
D830,416	S	*	10/2018	Shin	D15/7
D835,158	S	*	12/2018	Shin	D15/9
D842,341	S	*	3/2019	Shin	D15/9

OTHER PUBLICATIONS

Denso, Denso 471-1222 New Compressor with Clutch, (first available Jan. 2, 2007), Amazon.com, URL:<<https://www.amazon.com/Denso-471-1222-New-Compressor-Clutch/dp/B001UCGHWM>> (Year: 2007).*

Denso, Reciprocating Types, (site visited Oct. 20, 2020), Denso Europe, URL:<<https://www.denso-am.eu/products/automotive-aftermarket/ac-thermal/ac-compressors/reciprocating-types/>> (Year: 2020).*

Eaton, What is a rotary compressor, (site visited Oct. 20, 2020), Eaton website, URL:<<https://eatoncompressor.com/what-is-a-rotary-screw-air-compressor/>> (Year: 2020).*

* cited by examiner

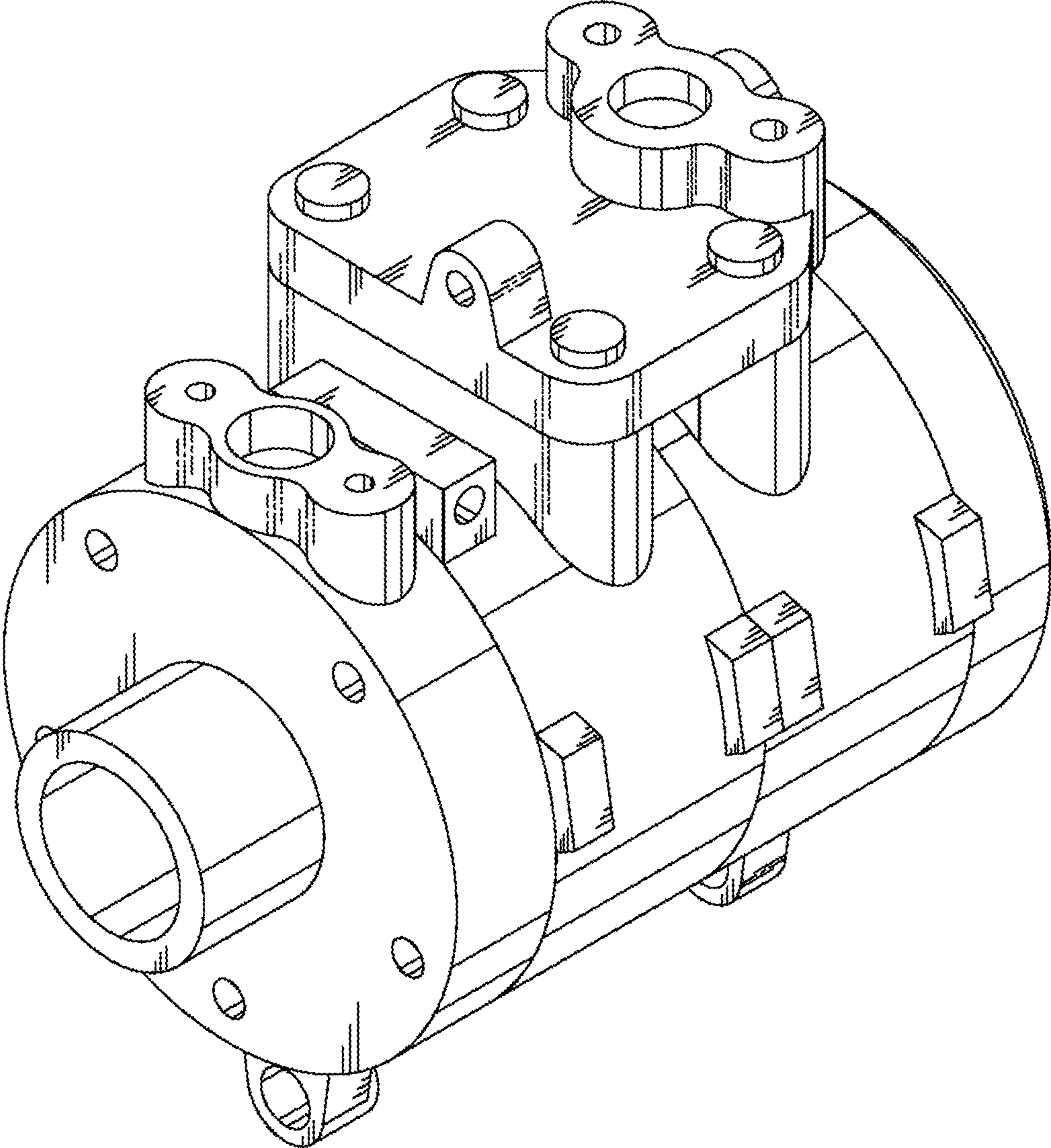


FIG. 1

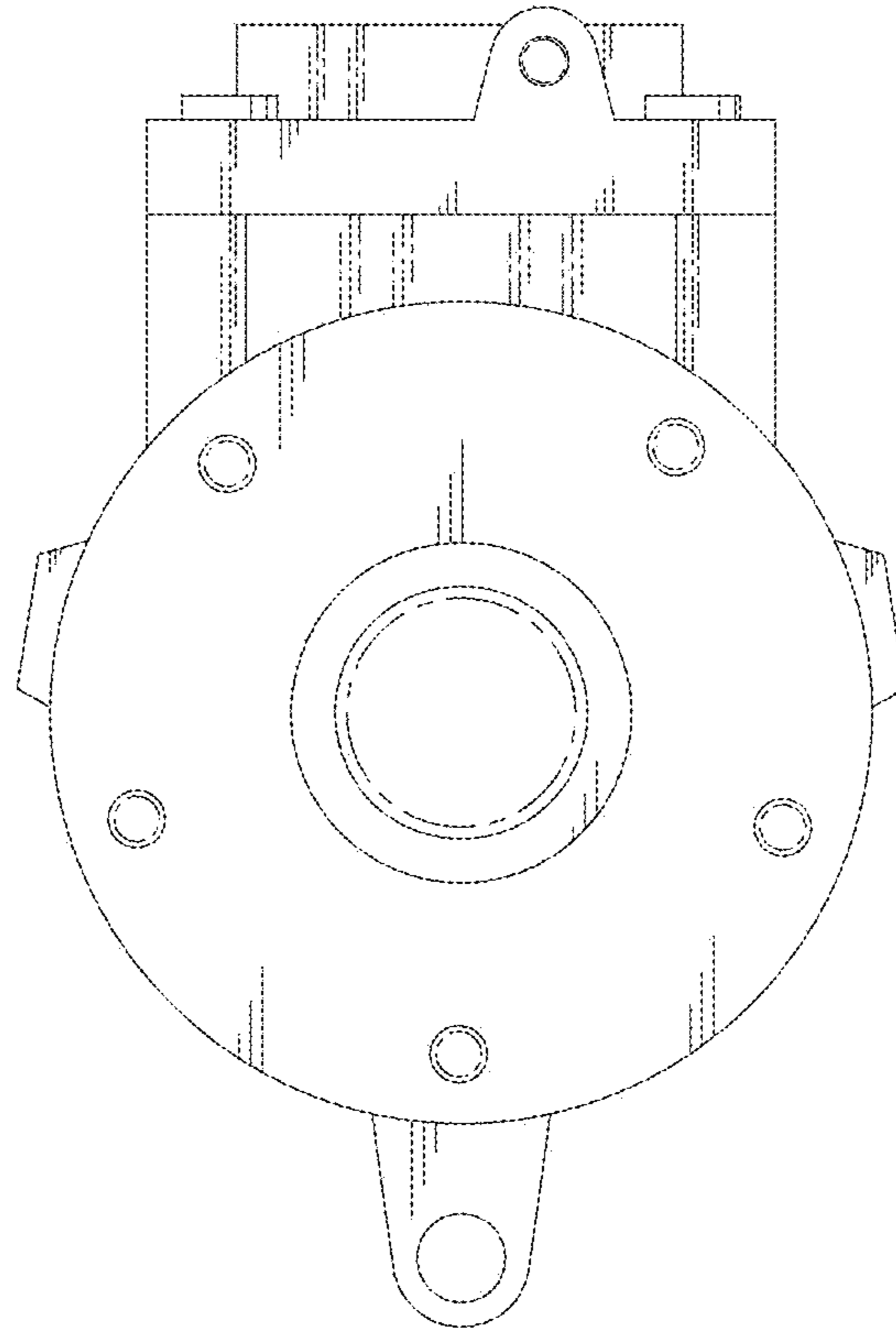


FIG. 2

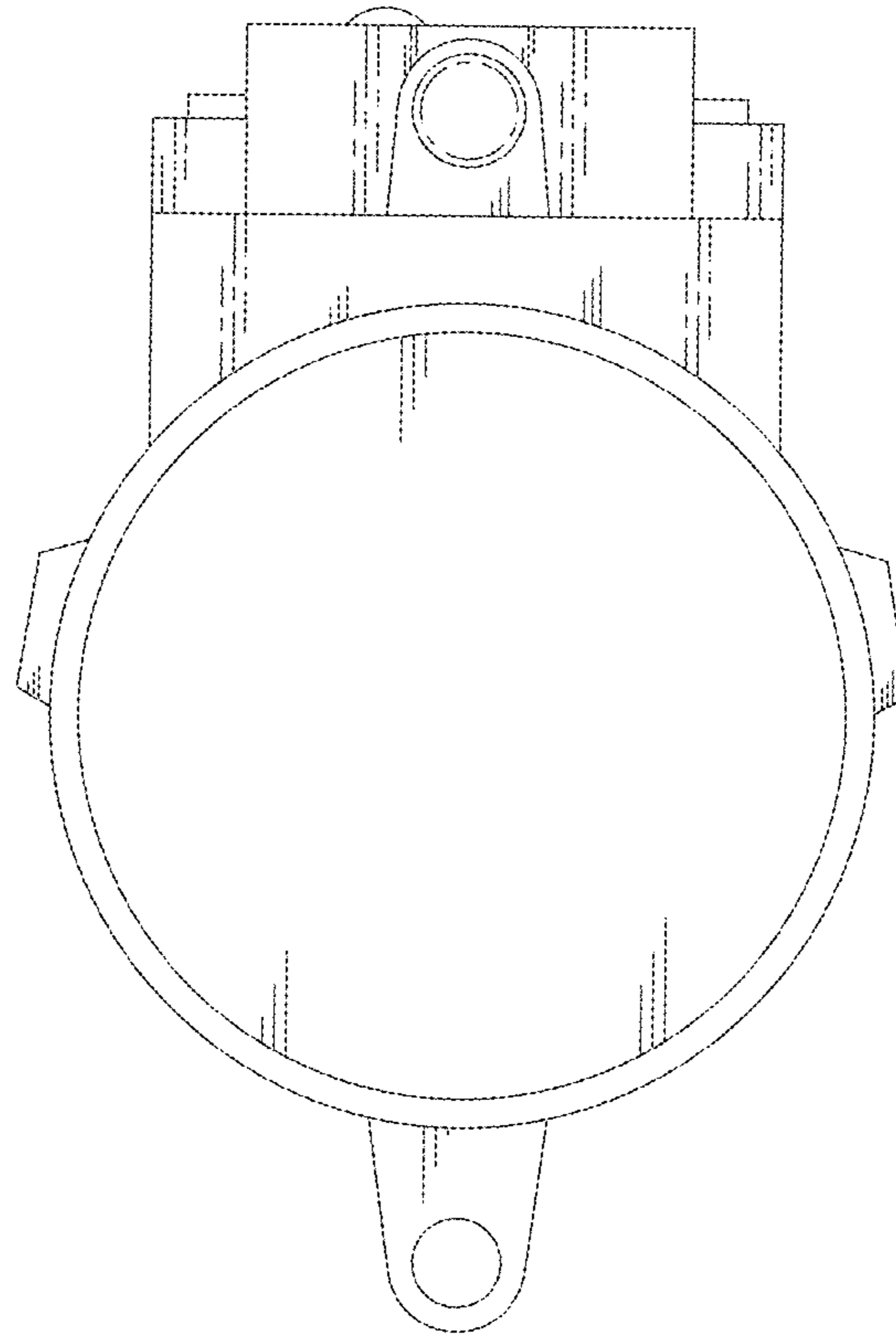


FIG. 3

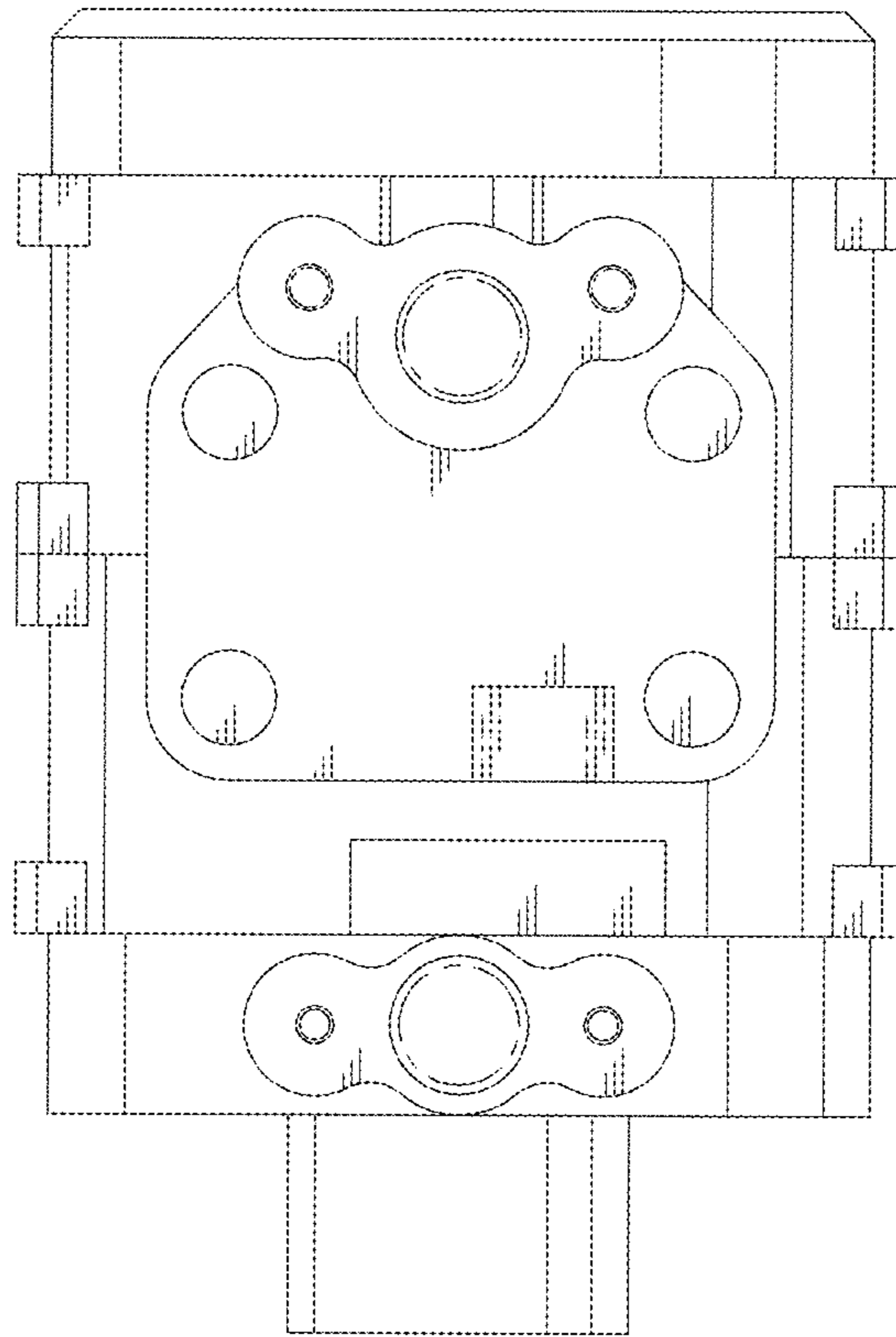


FIG. 4

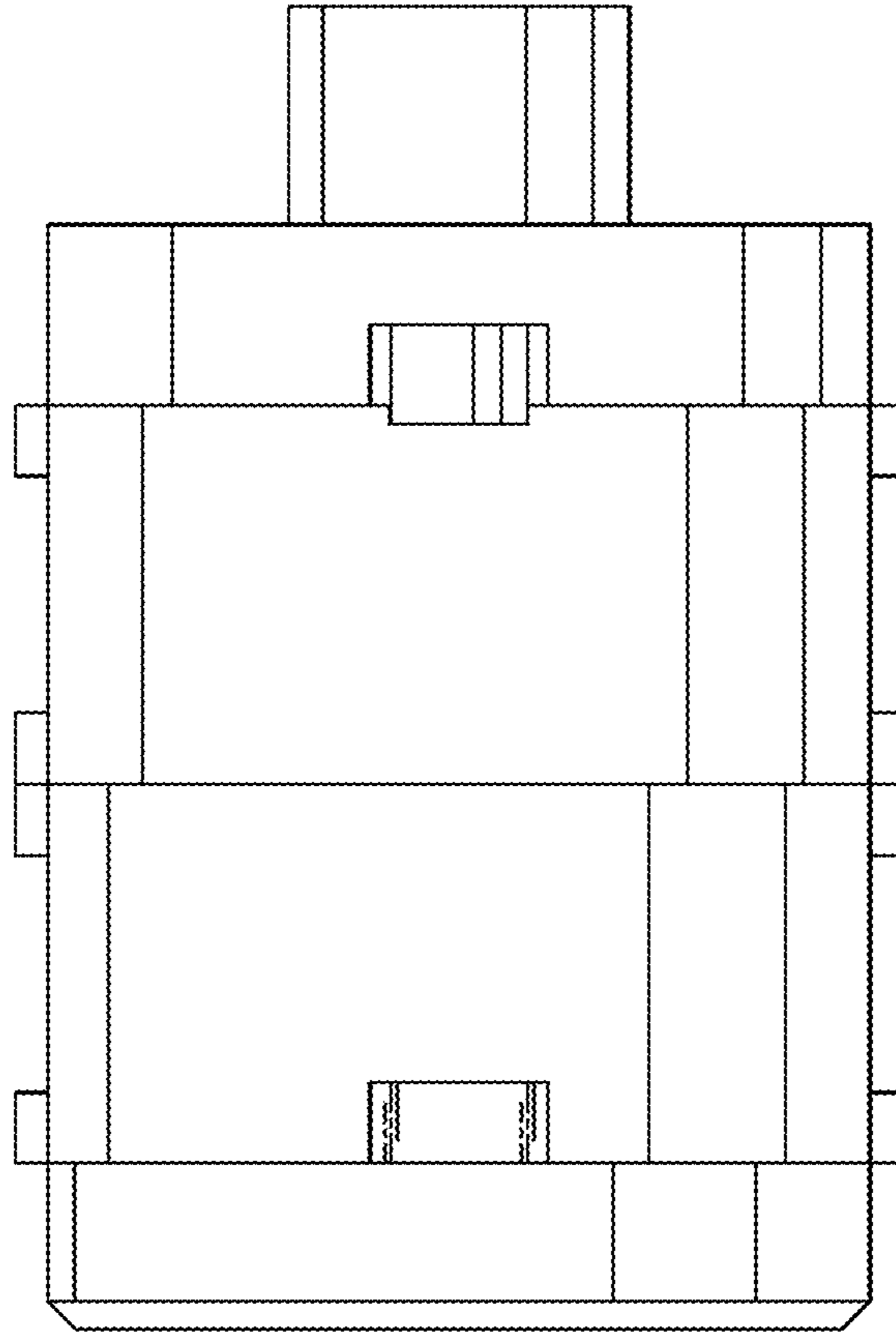


FIG. 5

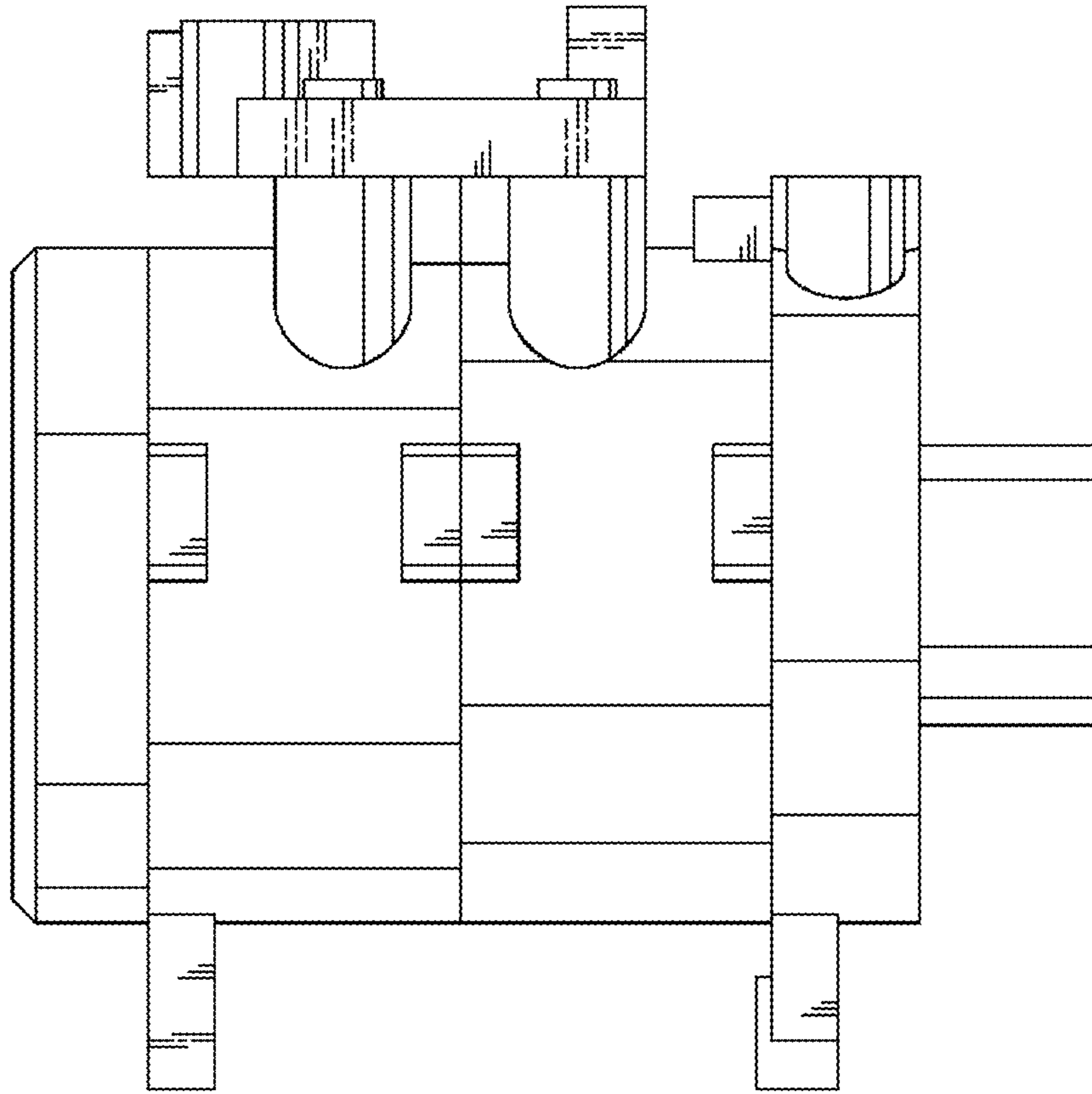


FIG. 6

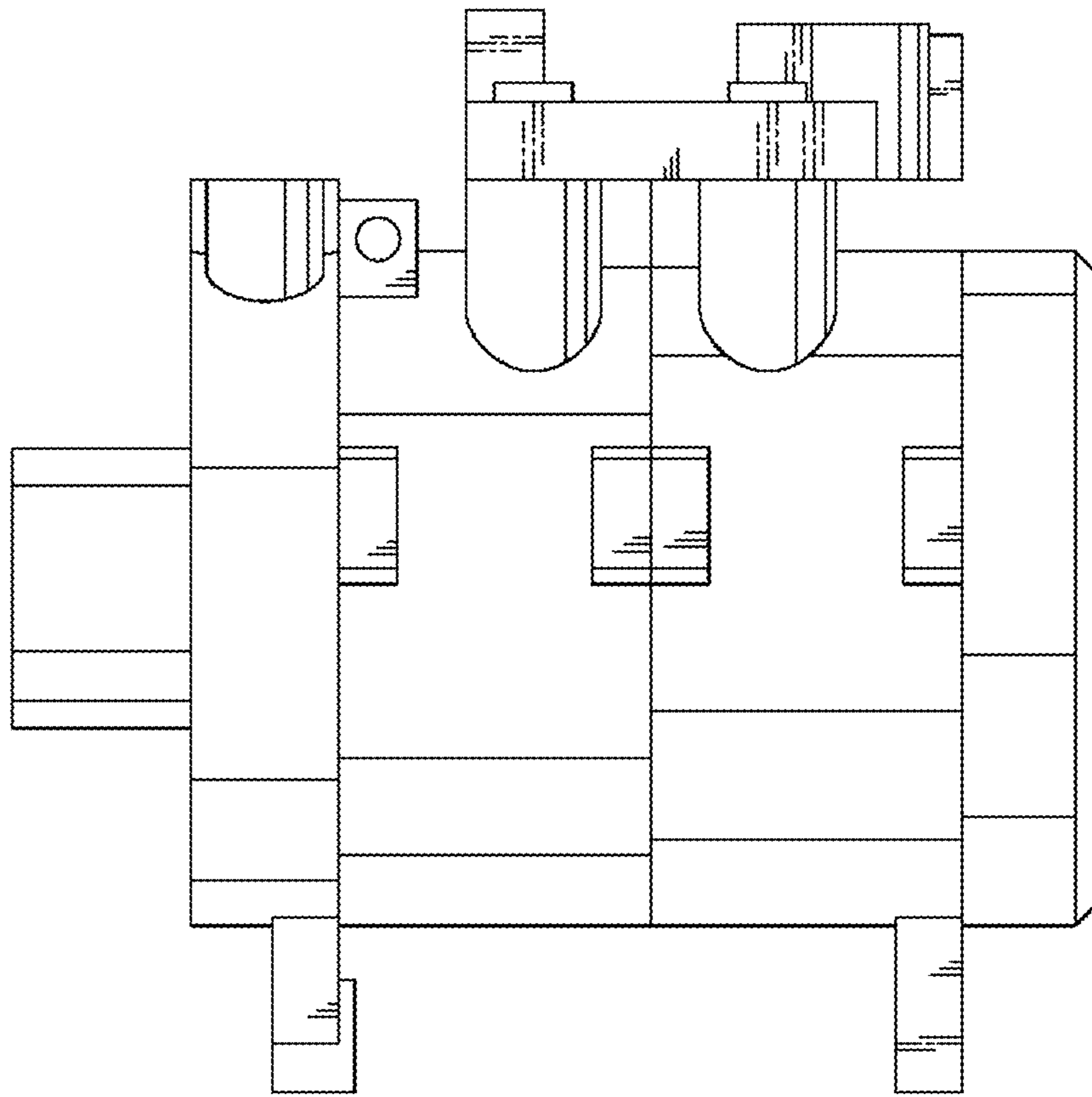


FIG. 7

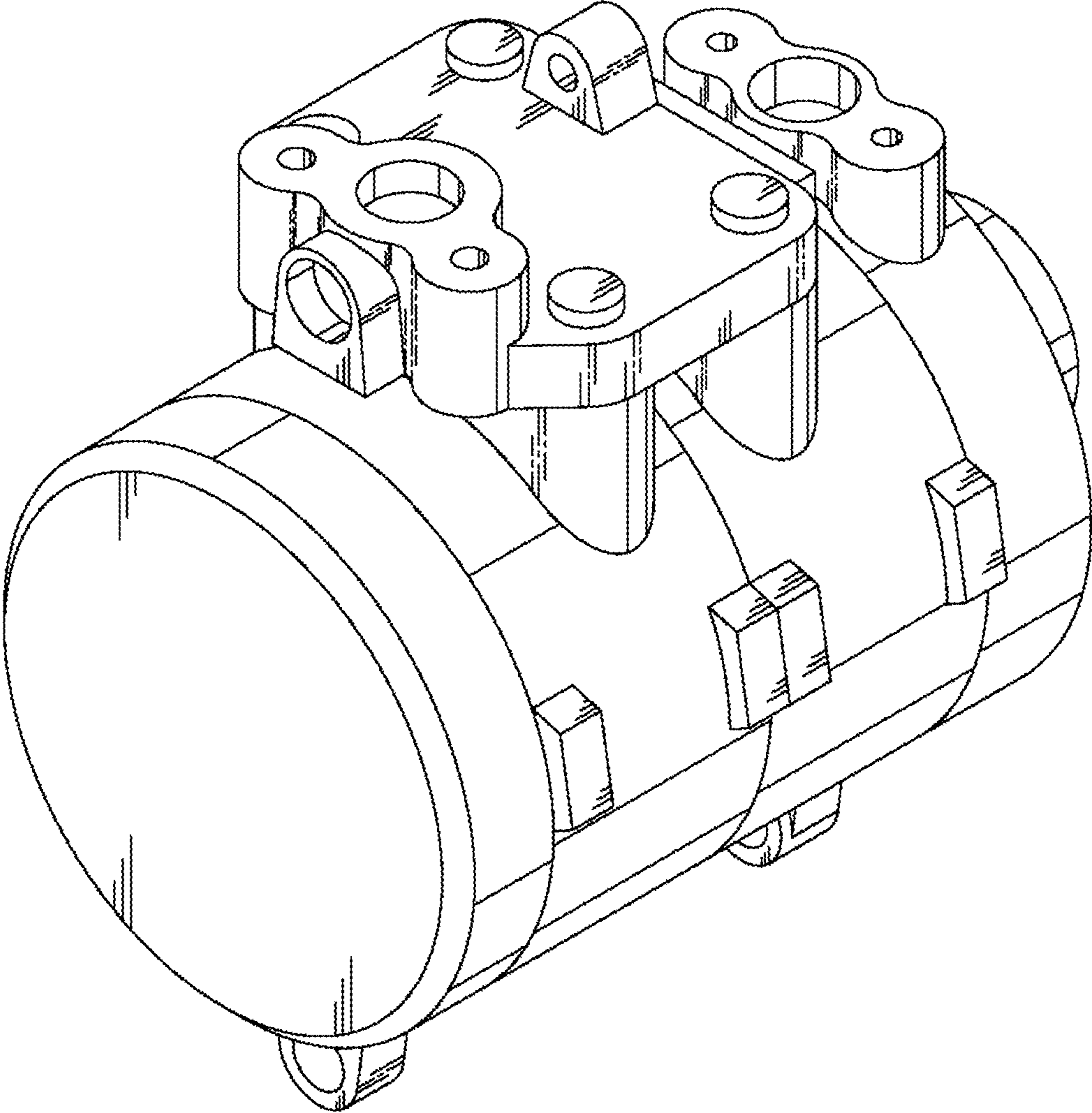


FIG. 8

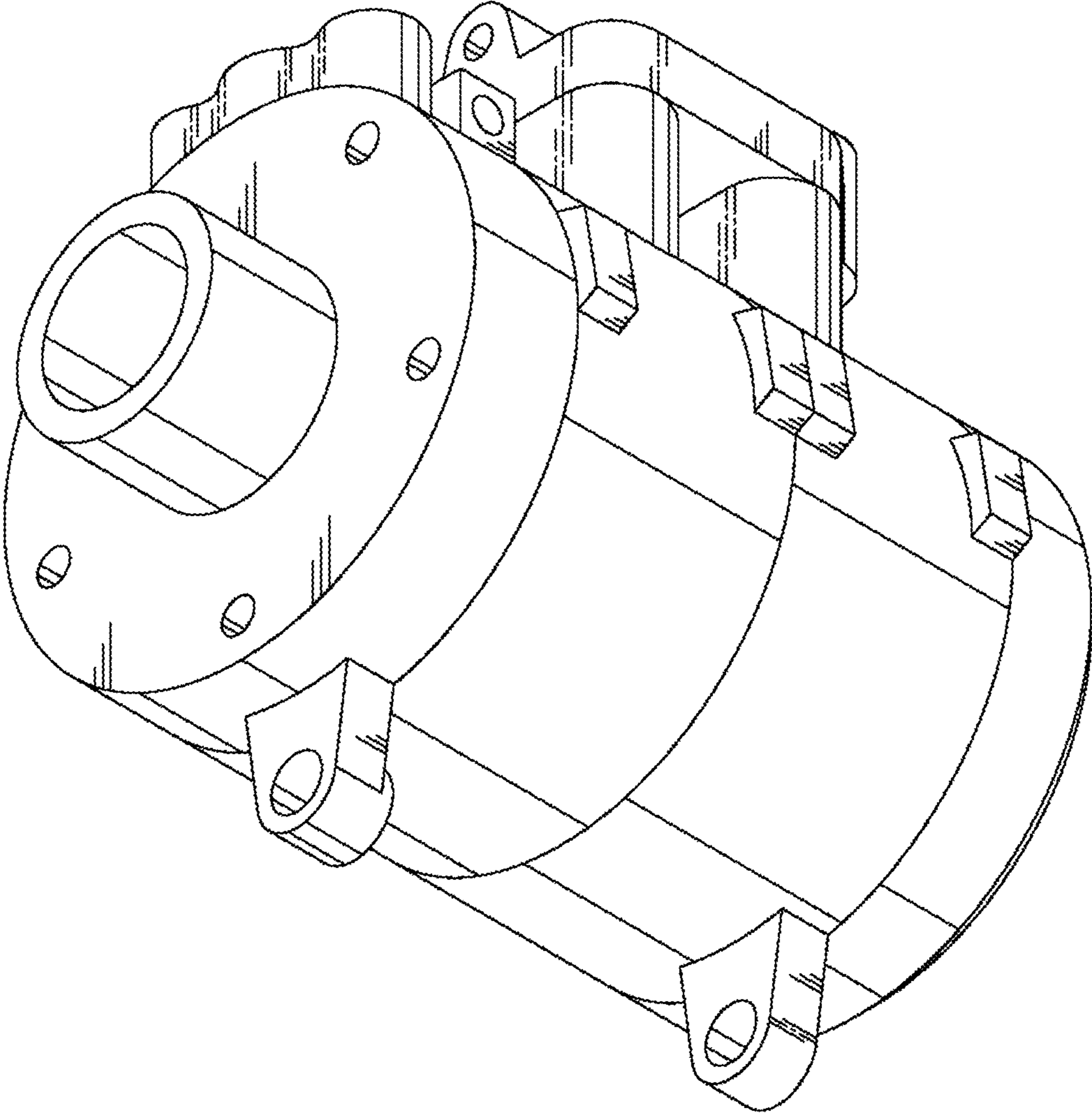


FIG. 9