



US00D918269S

(12) **United States Design Patent** (10) **Patent No.:** **US D918,269 S**
Abbott et al. (45) **Date of Patent:** **** May 4, 2021**

(54) **PUMP ASSEMBLY**
 (71) Applicant: **HOTSTART, Inc.**, Spokane, WA (US)
 (72) Inventors: **Michael T. Abbott**, Spokane Valley, WA (US); **Keith William Kempe**, Spokane, WA (US); **John Isaac Flodin**, Spokane Valley, WA (US)
 (73) Assignee: **HotStart, Inc.**, Spokane, WA (US)

D482,699 S * 11/2003 Graf D15/7
 D559,717 S * 1/2008 Hendey D10/96
 D601,590 S * 10/2009 Burnham D15/7
 D625,740 S * 10/2010 Varini D15/7
 D626,570 S 11/2010 Hunt et al.
 D647,537 S * 10/2011 Mehnert D15/7
 D649,164 S * 11/2011 Cook D15/7
 D666,518 S * 9/2012 Williamson D10/99
 D674,299 S * 1/2013 Azuma D10/96
 D680,457 S * 4/2013 Hendey, Sr. D10/99

(Continued)

(**) Term: **15 Years**

OTHER PUBLICATIONS

(21) Appl. No.: **29/711,736**

Hotstart Inc., EVRHEAT 20, (site visited Feb. 11, 2021), hotstart.com, URL:<<https://www.hotstart.com/solutions/evrheat/>> (Year: 2021).*

(22) Filed: **Nov. 1, 2019**

(51) **LOC (13) Cl.** **15-02**

Primary Examiner — Sheryl Lane

(52) **U.S. Cl.**
USPC **D15/7**

Assistant Examiner — Mark T. Philipps

(74) *Attorney, Agent, or Firm* — Lee & Hayes, P.C.

(58) **Field of Classification Search**
 USPC D23/206, 213, 214, 225, 231, 232, 387, D23/421; D15/5, 7-9, 199; D10/96, 97, D10/99, 101
 CPC F24H 2240/00; F24H 2240/02; F24H 2240/04; F24H 2240/06; F22D 5/00; G01F 7/00; F04D 13/06; F04D 29/041; F04D 29/22; F04D 29/60; F04D 29/605; F04D 15/0088; F04D 15/0066; F04D 15/0245; F04B 17/03; F04B 17/046; F04B 17/048; F04B 35/04; F04B 43/04; F04B 43/043

(57) **CLAIM**

The ornamental design for a pump assembly, as shown and described.

See application file for complete search history.

DESCRIPTION

FIG. 1 is a top, front, right perspective view of a pump assembly;
 FIG. 2 is a top, back, left perspective view thereof;
 FIG. 3 is bottom, back, right perspective view thereof;
 FIG. 4 is a front view thereof;
 FIG. 5 is a back view thereof;
 FIG. 6 is a left-side view thereof;
 FIG. 7 is a right-side view thereof;
 FIG. 8 is a top view thereof; and,
 FIG. 9 is a bottom view thereof.

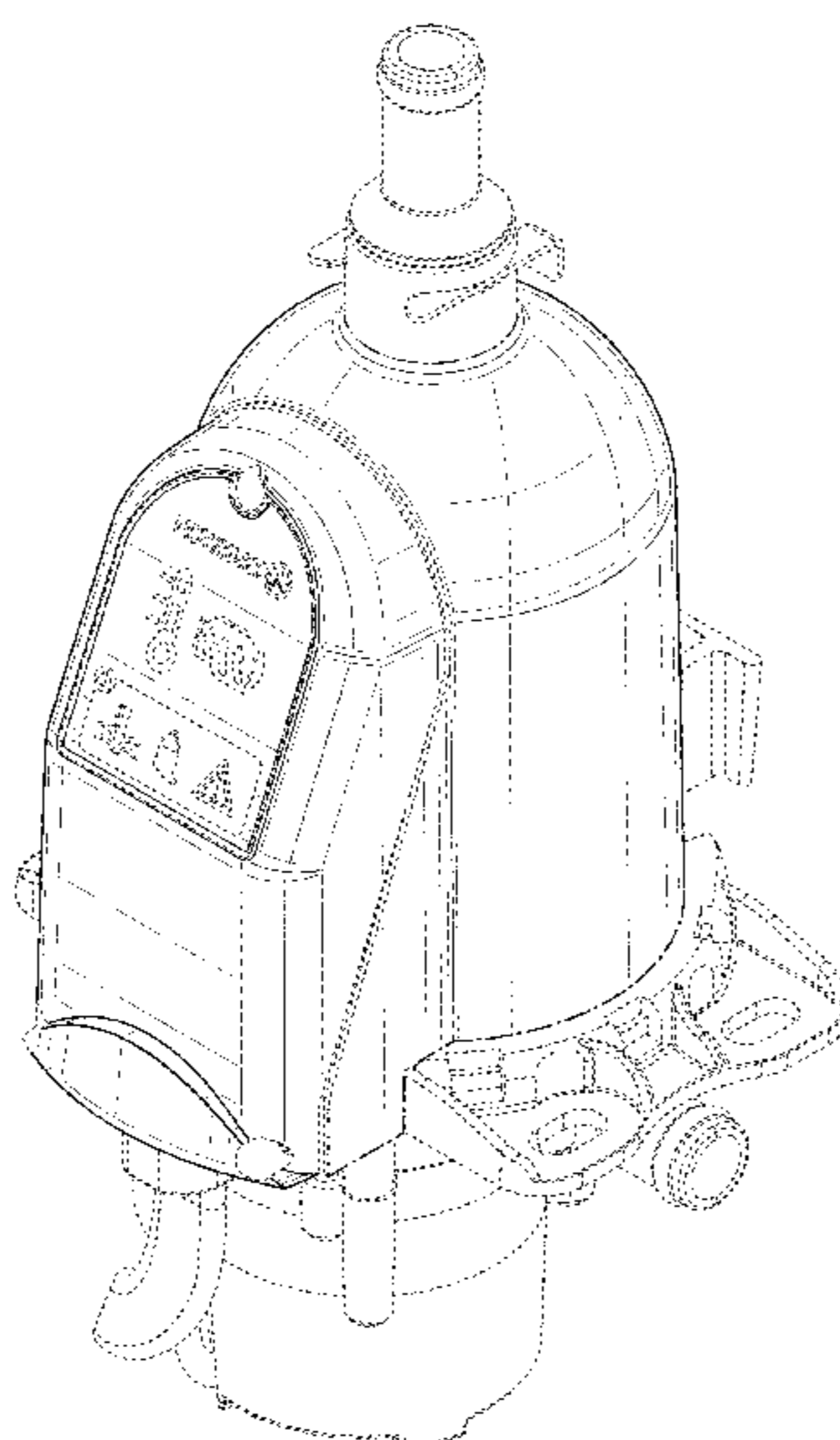
The dashed broken lines depict portions of the pump assembly that form no part of the claimed design. The dot-dashed broken lines represent boundaries of the claimed pump assembly and form no part of the claimed design.

(56) **References Cited**

U.S. PATENT DOCUMENTS

D281,404 S * 11/1985 Hicks D10/99
 D335,538 S * 5/1993 Deutsch D24/169
 D336,258 S * 6/1993 Payne, Jr. D10/99
 D341,596 S * 11/1993 Stein D15/5
 D344,465 S * 2/1994 Brew D10/96
 D348,018 S * 6/1994 Polshuk D10/96
 D407,657 S * 4/1999 Fushiya D10/96

1 Claim, 9 Drawing Sheets



(56)

References Cited

U.S. PATENT DOCUMENTS

D682,318	S	*	5/2013	Goh	D15/9
D691,178	S	*	10/2013	Lambinet	D15/7
D691,179	S	*	10/2013	Charriere	D15/7
D707,577	S	*	6/2014	Marx	D10/96
D729,848	S	*	5/2015	Charriere	D15/7
D769,943	S	*	10/2016	Charriere	D15/7
D792,258	S	*	7/2017	Kuppi	D10/97
D810,145	S	*	2/2018	Sinico	D15/7
D812,645	S	*	3/2018	Sinico	D15/7
D834,067	S	*	11/2018	Stahl	D15/7
D834,068	S	*	11/2018	Lee	D15/7
D834,619	S	*	11/2018	Stahl	D15/7
D839,313	S	*	1/2019	Lee	D15/7
D851,525	S	*	6/2019	Banhegyesi	D10/99
D863,987	S	*	10/2019	MacKay	D10/42
D864,252	S	*	10/2019	Charriere	D15/7
D878,943	S	*	3/2020	Mess	D10/96
2017/0176232	A1	*	6/2017	Gregory	G01D 11/24

* cited by examiner

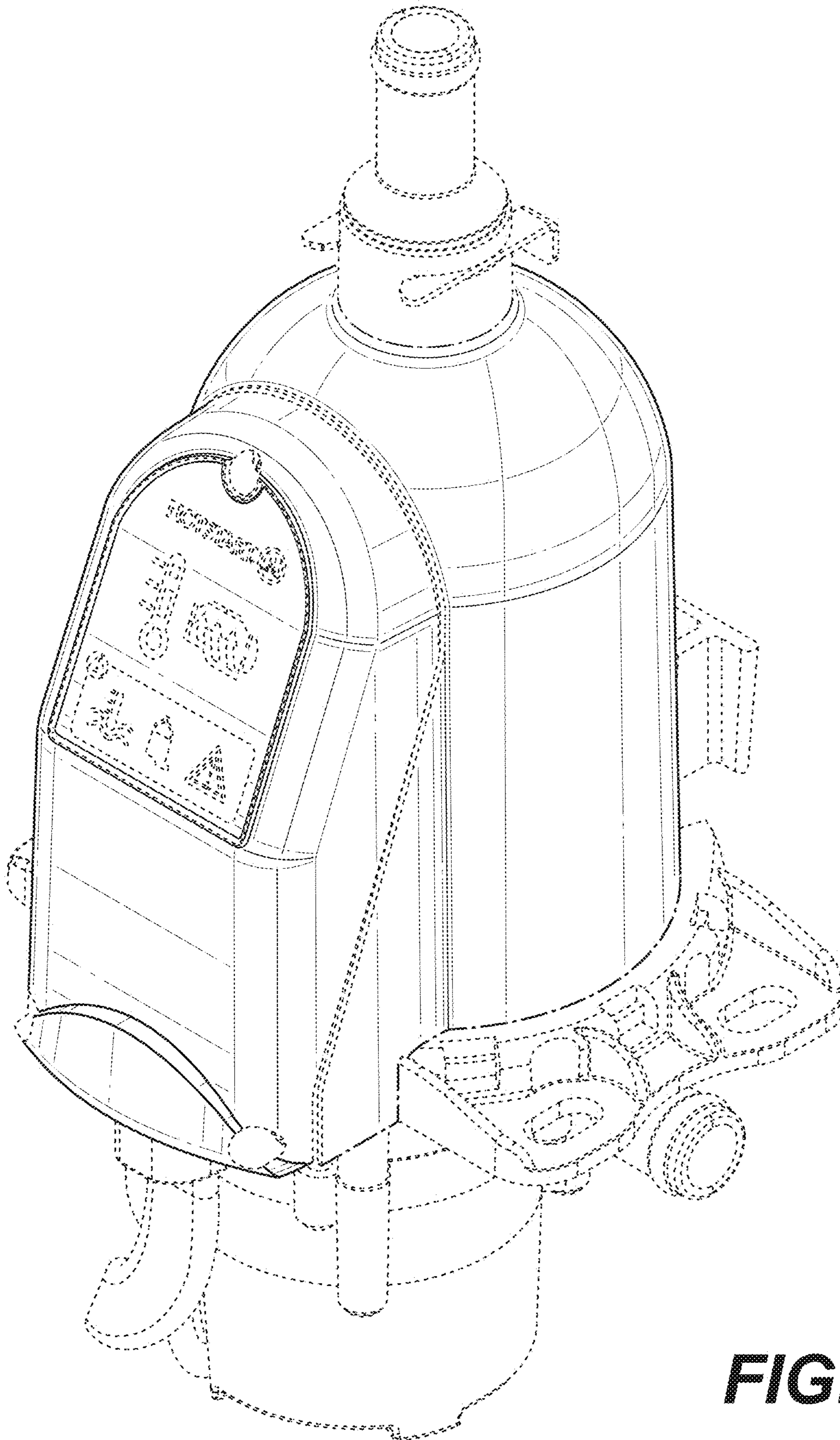


FIG. 1

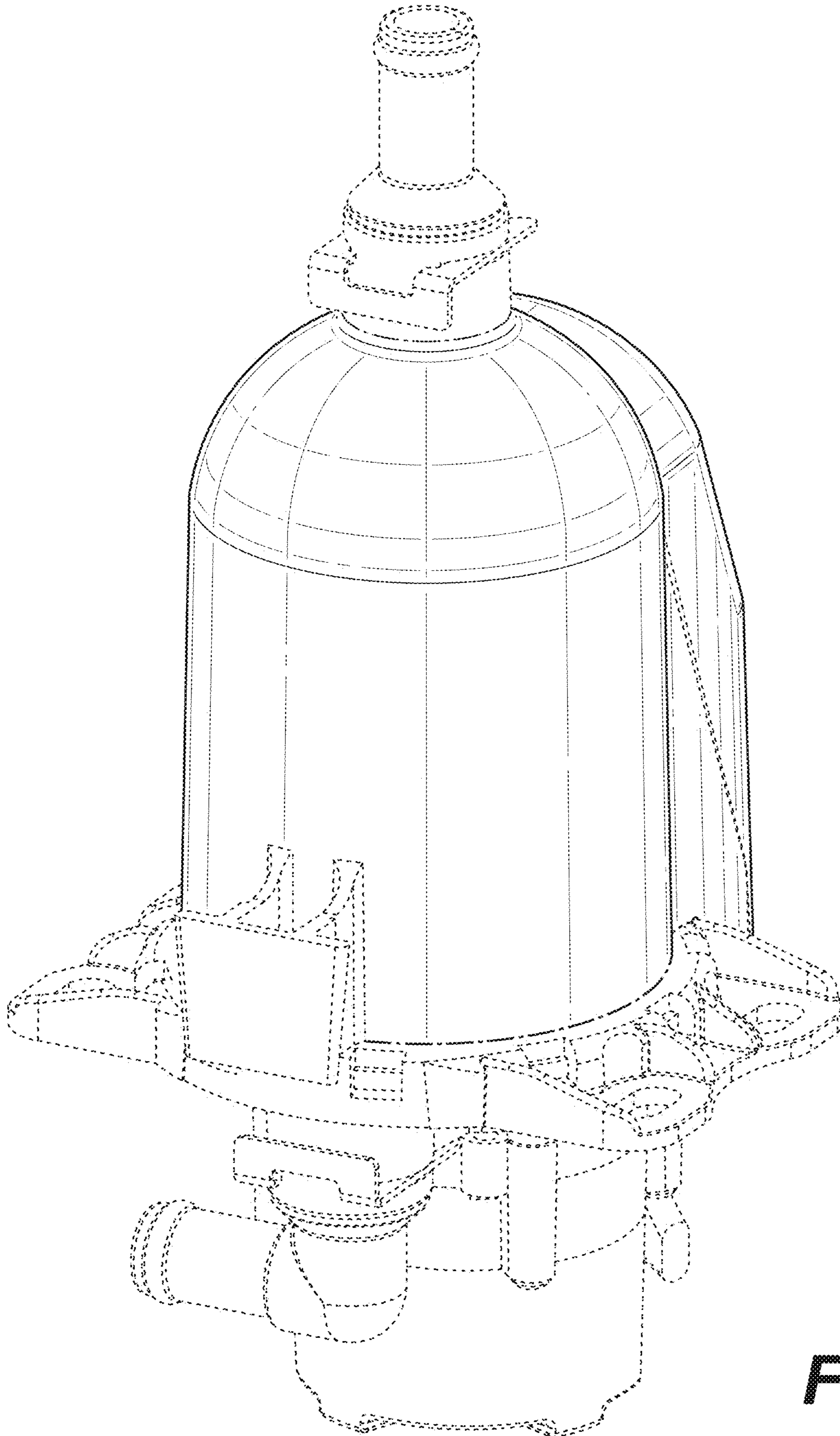


FIG. 2

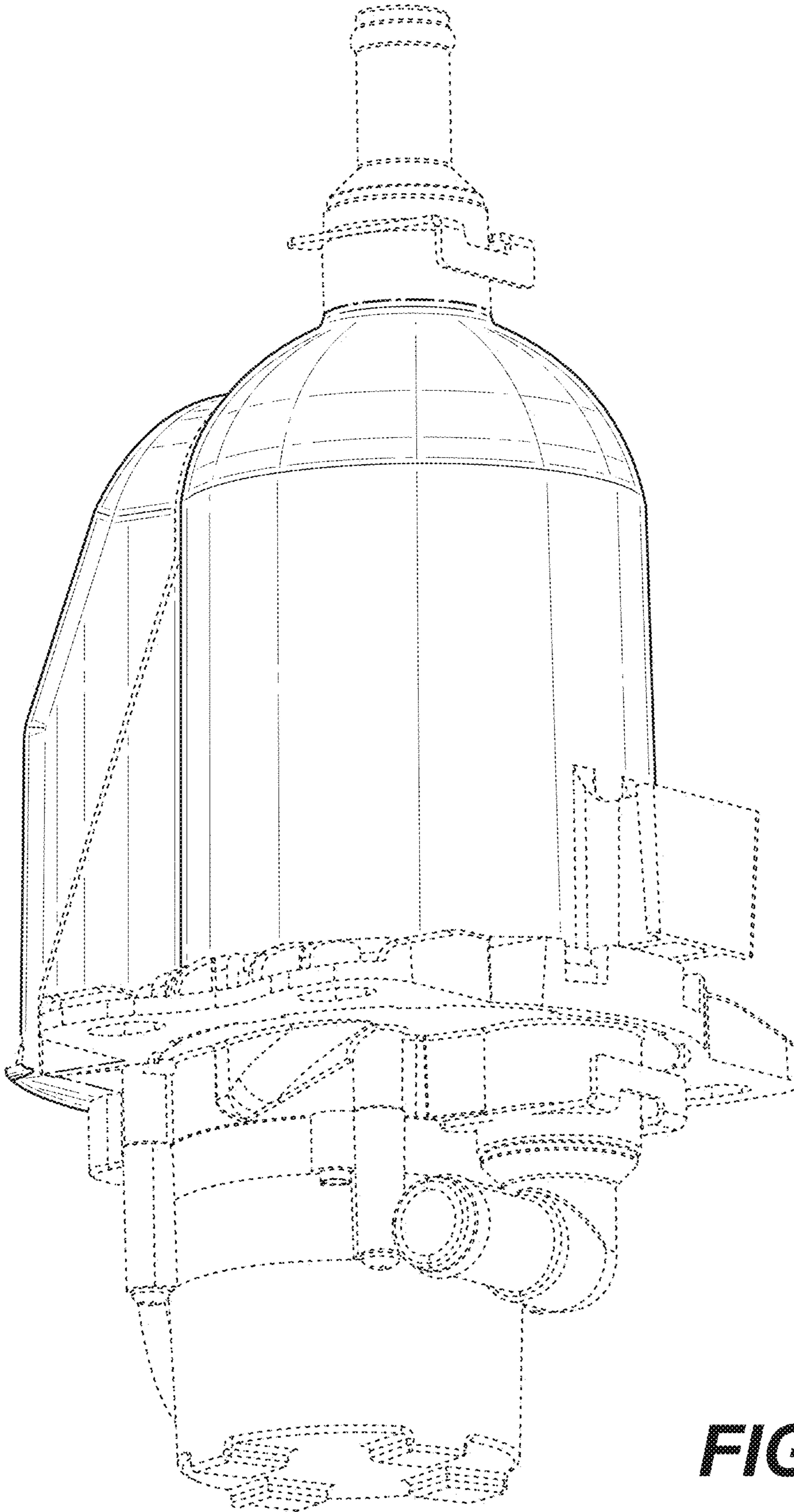


FIG. 3

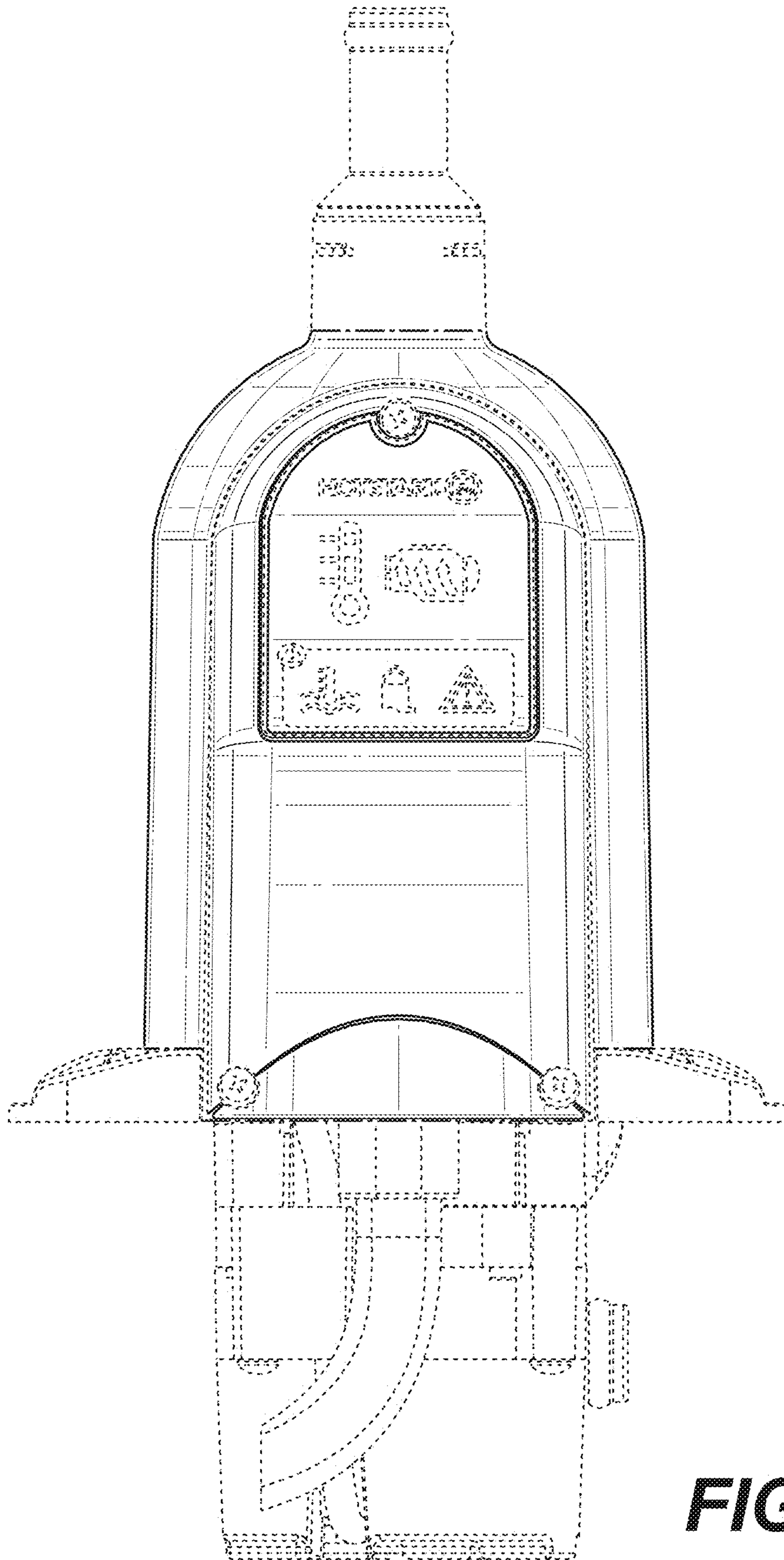


FIG. 4

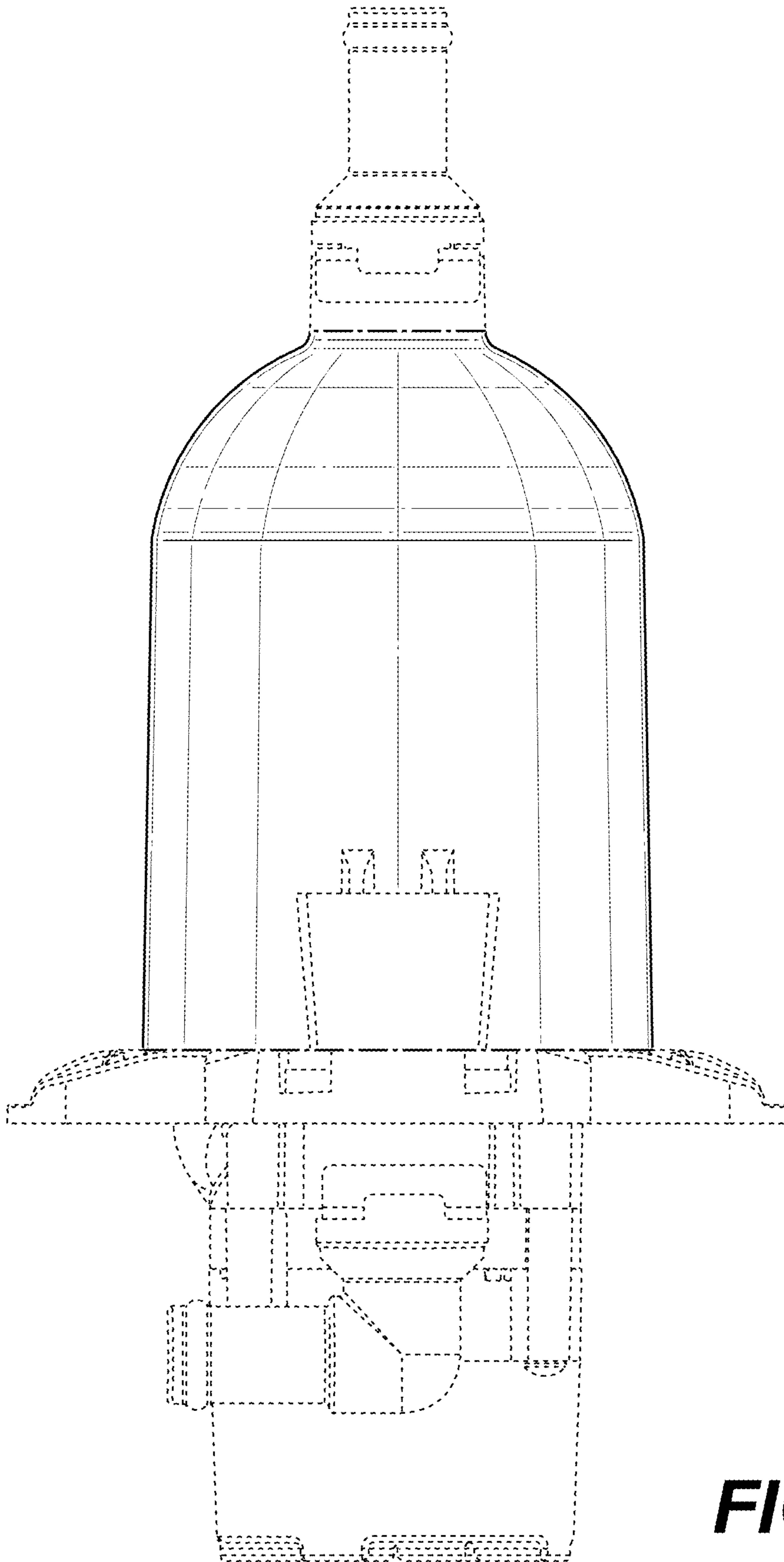


FIG. 5

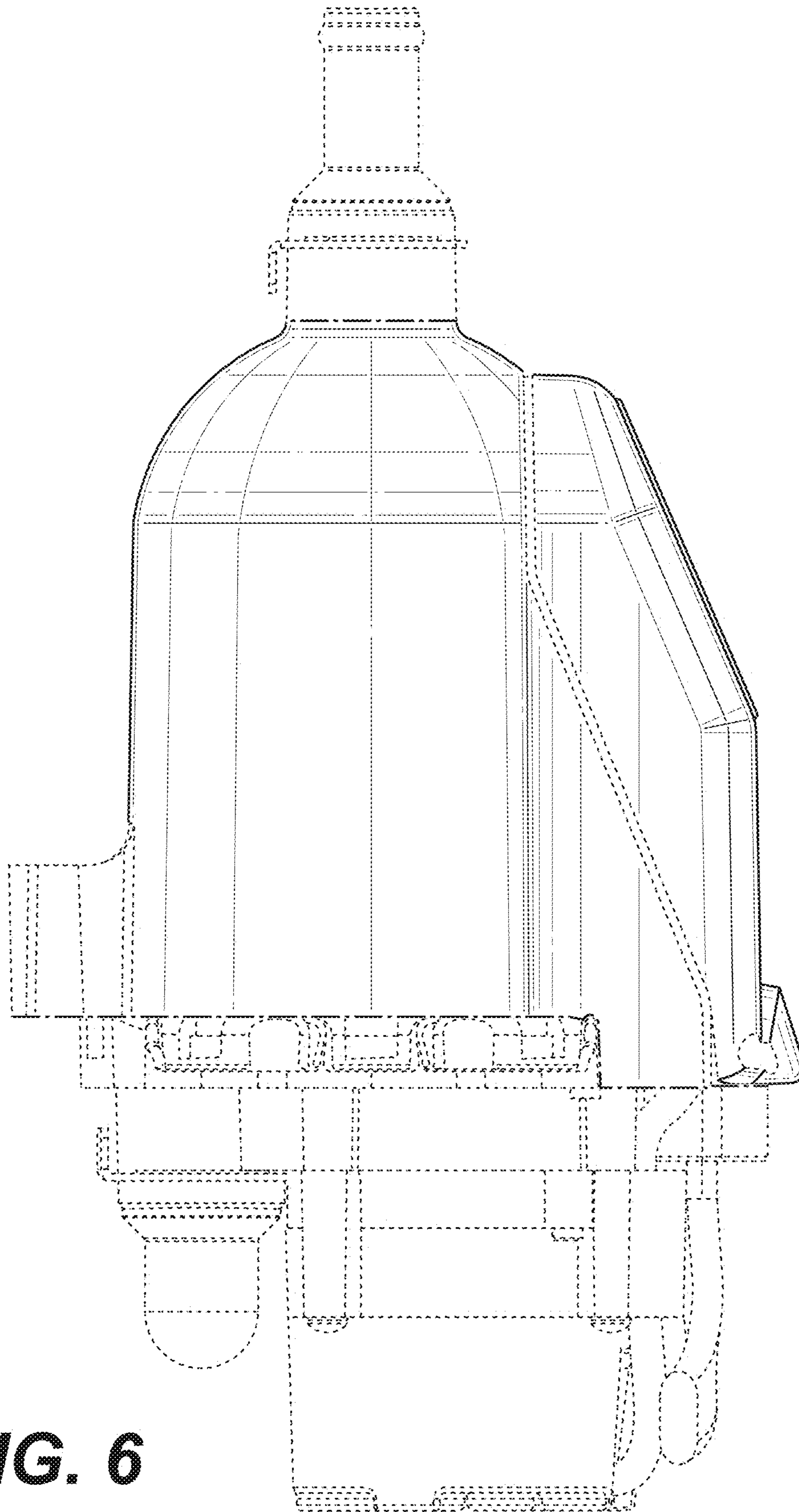


FIG. 6

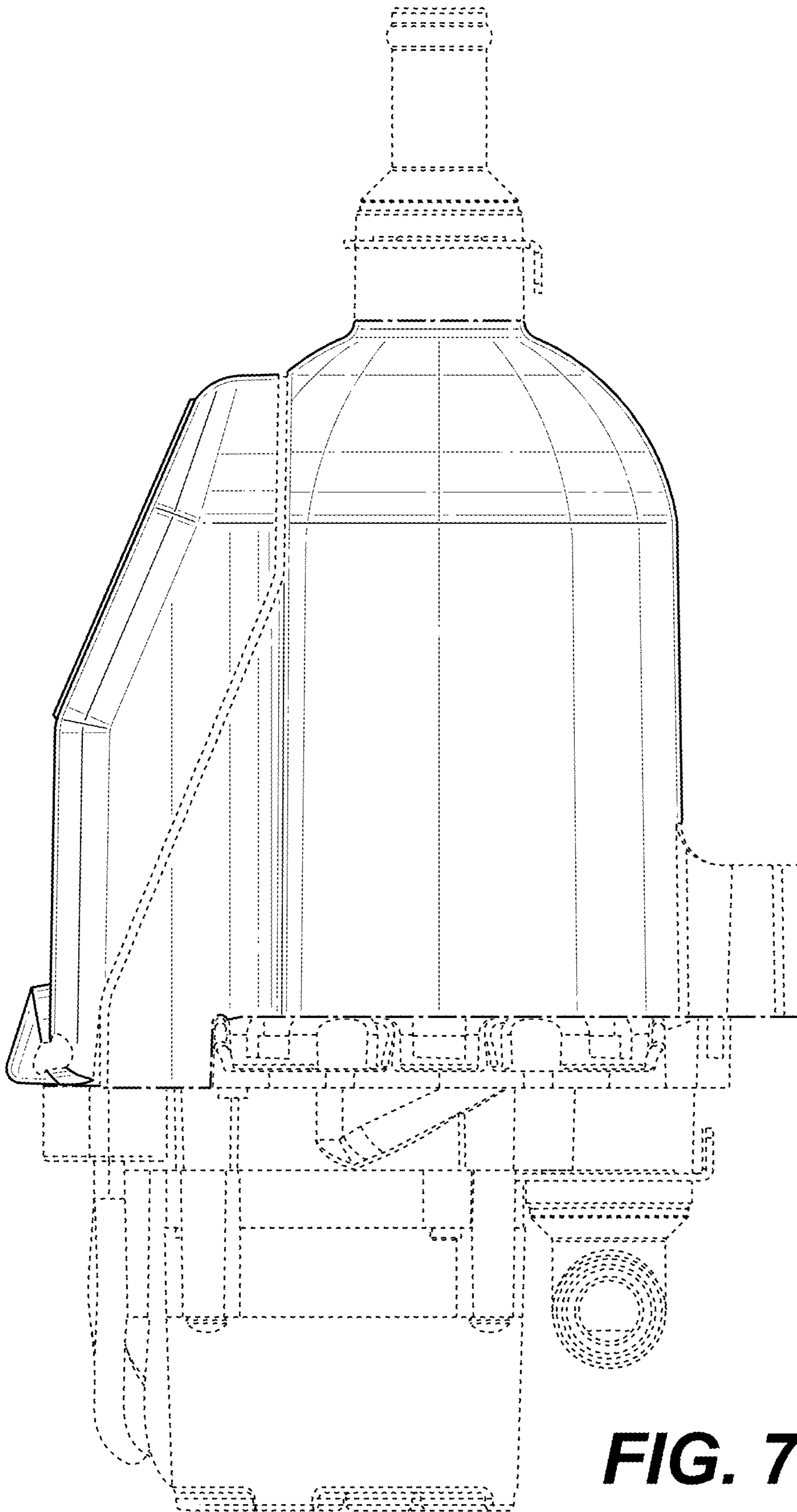


FIG. 7

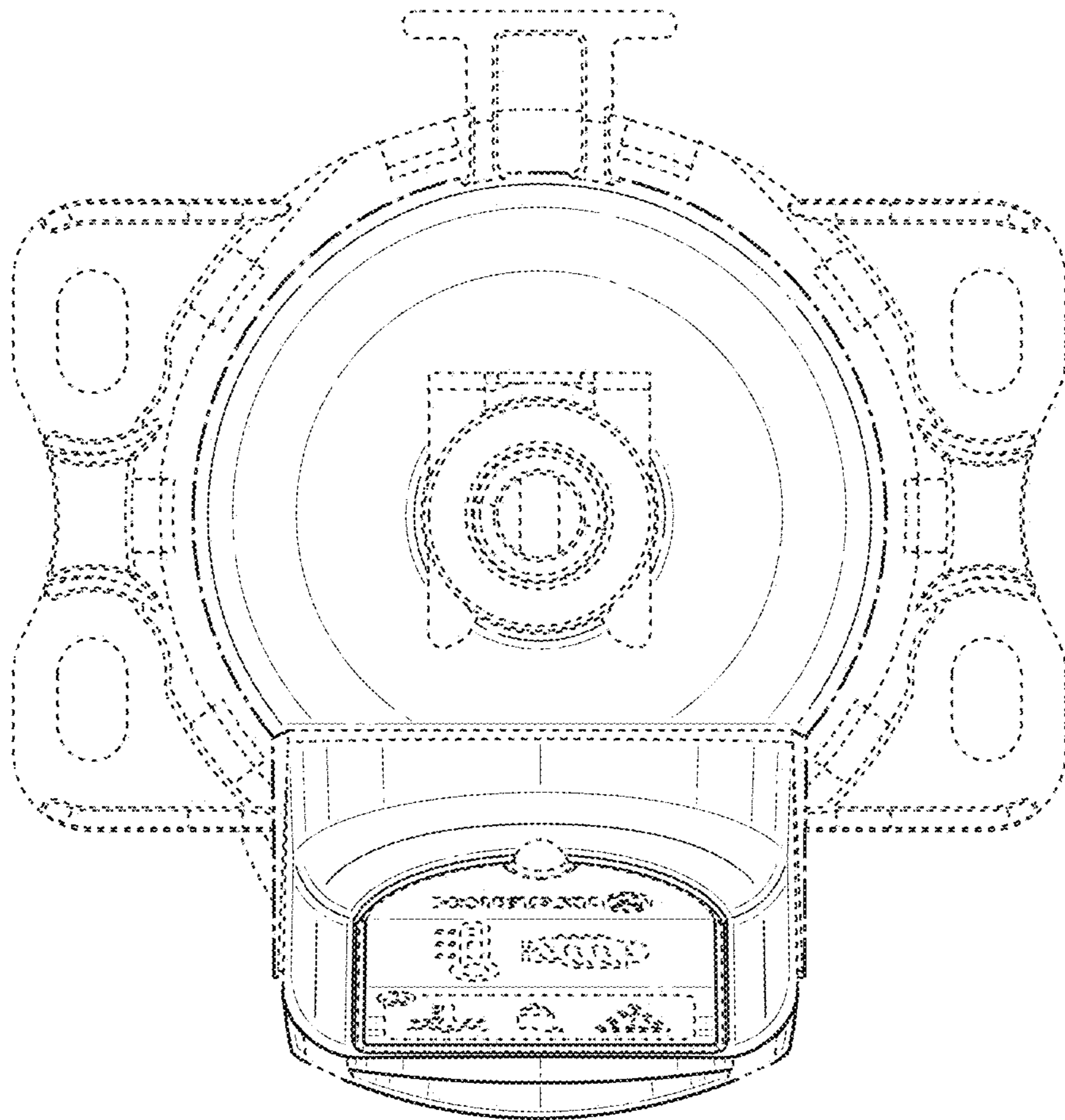


FIG. 8

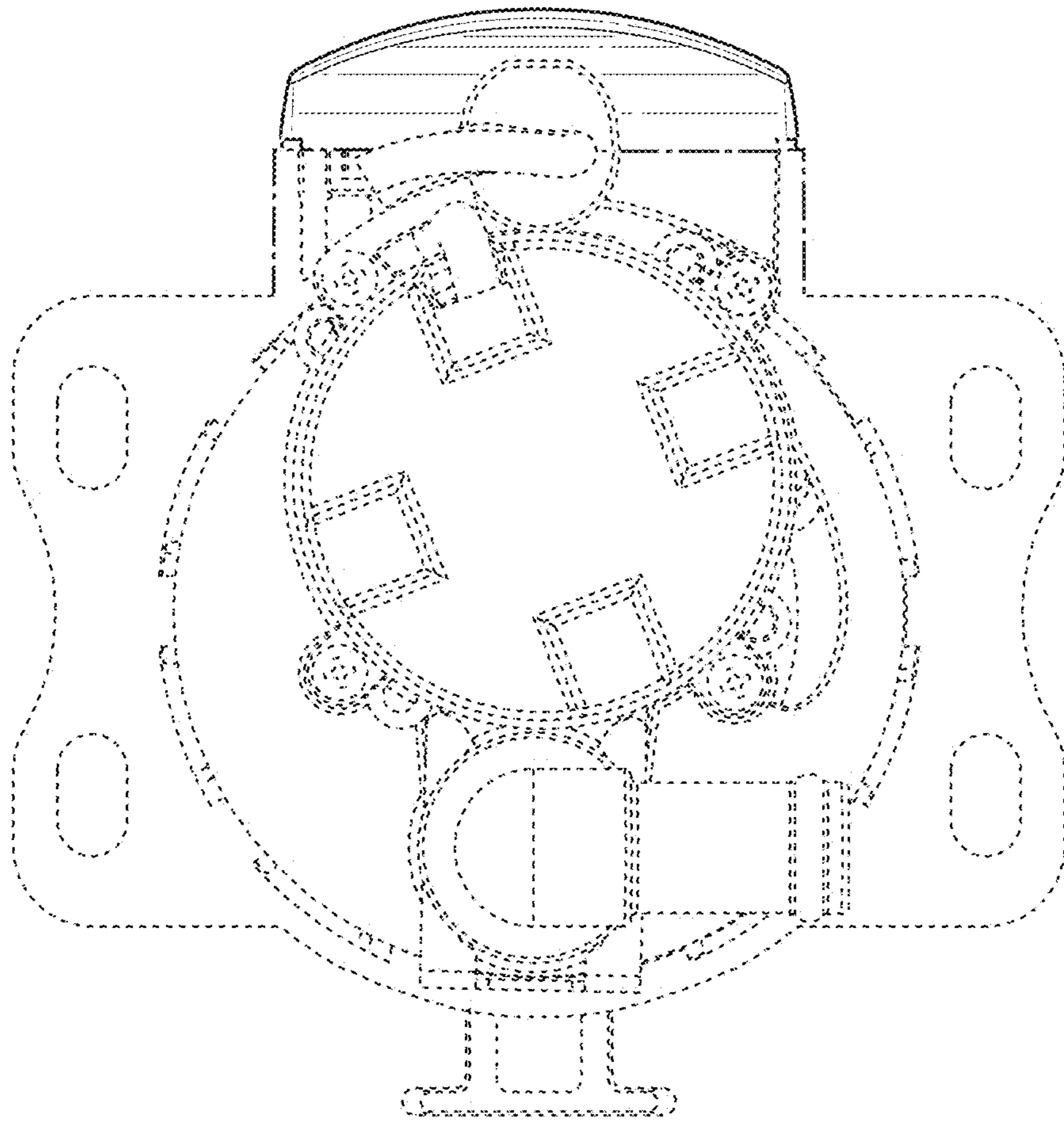


FIG. 9