



US00D918268S

(12) **United States Design Patent** (10) **Patent No.:** **US D918,268 S**
Cooper et al. (45) **Date of Patent:** **** May 4, 2021**

(54) **PUMP PORTION**

- (71) Applicant: **Wayne/Scott Fetzer Company**,
Westlake, OH (US)
- (72) Inventors: **Buford A. Cooper**, Sunman, IN (US);
Michael S. Garcia, Harrison, OH (US);
Joshua Michael Wilds, Lancaster, NH
(US)
- (73) Assignee: **Wayne/Scott Fetzer Company**,
Westlake, OH (US)
- (**) Term: **15 Years**
- (21) Appl. No.: **29/695,028**
- (22) Filed: **Jun. 14, 2019**

Related U.S. Application Data

- (60) Continuation of application No. 29/650,934, filed on
Jun. 11, 2018, now Pat. No. Des. 875,142, which is a
(Continued)
- (51) **LOC (13) Cl.** **15-03**
- (52) **U.S. Cl.**
USPC **D15/7**
- (58) **Field of Classification Search**
USPC D15/7-9
(Continued)

(56) **References Cited**

U.S. PATENT DOCUMENTS

- 2,333,243 A 11/1943 Glab
- 2,553,066 A 5/1951 Southern
(Continued)

FOREIGN PATENT DOCUMENTS

- CN 203548187 4/2014
- CN 201330537433 6/2014
(Continued)

OTHER PUBLICATIONS

Wayne/Scott Fetzer Company, Watering & System Installation Guide, Dewatering Pump TSC, that discloses a pump that was on sale or publicly disclosed more than 1 year before the filing date of the instant application, 2016, 11 pp.
(Continued)

Primary Examiner — Khawaja Anwar
(74) *Attorney, Agent, or Firm* — Fitch, Even, Tabin & Flannery, LLP

(57) **CLAIM**

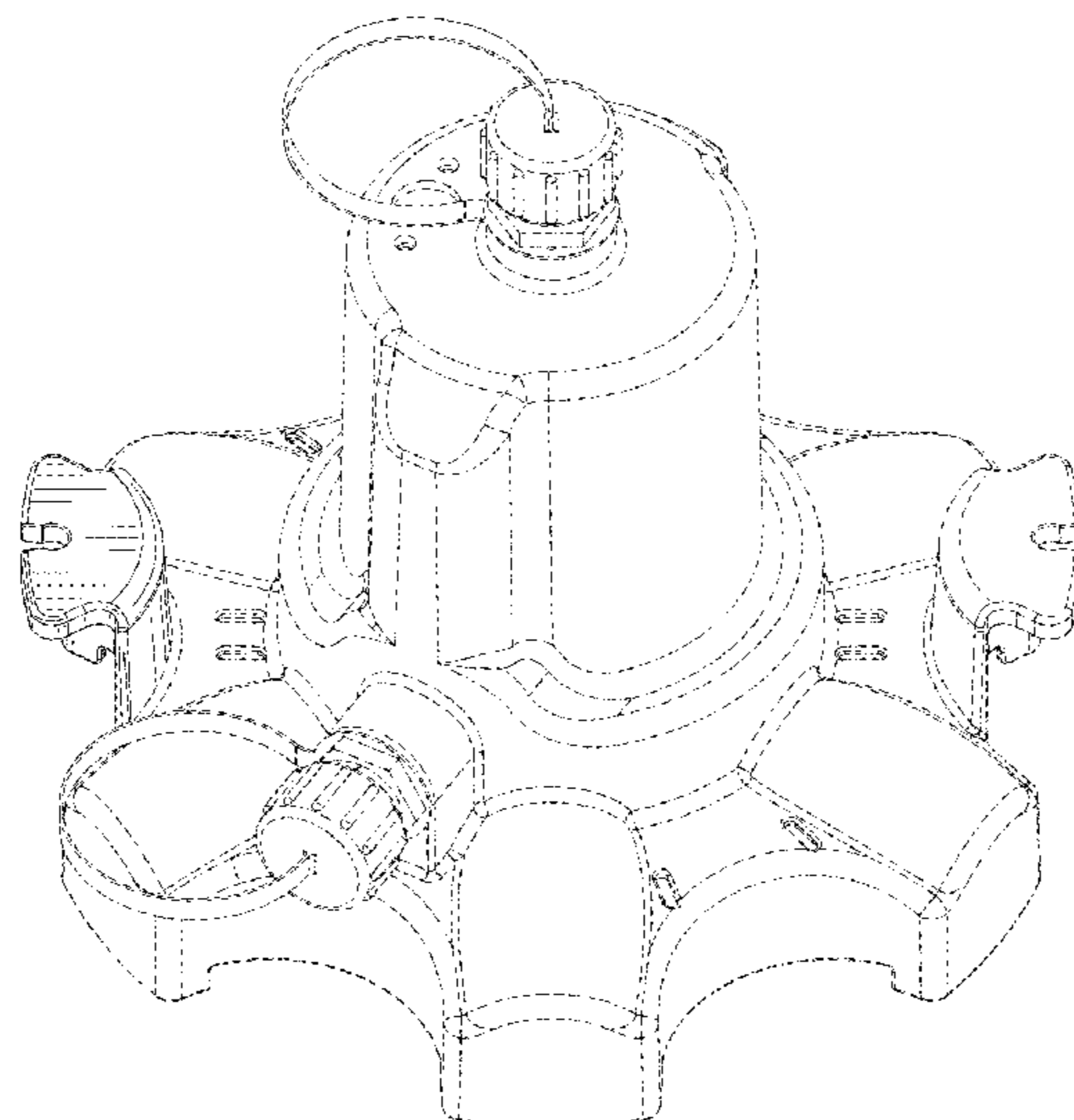
We claim the ornamental design for a pump portion, as shown and described.

DESCRIPTION

FIG. 1 is a perspective view of a pump portion, showing the first embodiment of our new design;
FIG. 2 is a left side elevation view thereof;
FIG. 3 is a right side elevation view thereof;
FIG. 4 is a front elevation view thereof;
FIG. 5 is a rear elevation view thereof;
FIG. 6 is a top plan view thereof;
FIG. 7 is a bottom plan view thereof;
FIG. 8 is a perspective view of a pump portion, showing the second embodiment of our new design;
FIG. 9 is a left side elevation view thereof;
FIG. 10 is a right side elevation view thereof;
FIG. 11 is a front elevation view thereof;
FIG. 12 is a rear elevation view thereof;
FIG. 13 is a top plan view thereof; and,
FIG. 14 is a bottom plan view thereof.

As mentioned above, the pump components and portions of the pump shown in broken lines in the figures depict unclaimed environmental subject matter, are for illustrative purposes only, and form no part of the claimed design. Similarly, unshaded portions that appear between broken lines or beyond boundary or break lines in the figures form no part of the claimed design.

1 Claim, 14 Drawing Sheets



Related U.S. Application Data

division of application No. 29/548,937, filed on Dec. 17, 2015, now Pat. No. Des. 823,345.

(58) **Field of Classification Search**

CPC F02M 37/04; F02M 37/14; F04B 53/92;
F04B 1/005; F04D 13/06; F04D 29/22;
F04D 29/046; F04D 29/2266

See application file for complete search history.

(56) **References Cited**

U.S. PATENT DOCUMENTS

2,863,525	A	12/1958	Lucian	
3,400,732	A	9/1968	Larrabee	
3,667,870	A	6/1972	Yoshida	
3,684,096	A	8/1972	Kretchman	
3,822,967	A	7/1974	Cade	
3,936,240	A	2/1976	Dochterman	
D243,281	S	2/1977	Pareja	
D252,811	S	9/1979	Arakawa	
4,482,300	A	11/1984	Brown	
4,820,131	A	4/1989	Johnson	
4,961,018	A	10/1990	Akhter	
5,055,000	A	10/1991	Akhter	
D328,304	S	7/1992	Frohn	
5,131,821	A	7/1992	Marioni	
D329,651	S	9/1992	Kuwada	
5,145,322	A	9/1992	Senior, Jr.	
5,145,337	A	9/1992	Kirkland	
5,181,841	A	1/1993	Kirkland	
5,205,725	A	4/1993	Pattison	
D335,292	S	5/1993	Schnell	
5,494,414	A	2/1996	Steinhart	
5,525,039	A	6/1996	Sieghartner	
D372,034	S	7/1996	Handzel	
5,599,164	A	2/1997	Murray	
D394,067	S	5/1998	Kon	
5,819,848	A	10/1998	Rasmuson	
5,833,437	A	11/1998	Kurth	
6,049,666	A	4/2000	Bennett	
6,059,542	A	5/2000	Chou	
6,149,390	A	11/2000	Fisher	
6,375,430	B1	4/2002	Eckert	
6,390,780	B1	5/2002	Batchelder	
6,423,218	B1	7/2002	Lindermeir	
6,443,715	B1	9/2002	Mayleben	
6,464,531	B2	10/2002	Eckert	
D466,527	S	12/2002	Graber	
6,530,758	B1	3/2003	Ritter	
6,575,714	B2	6/2003	Pace	
6,676,382	B2	1/2004	Leighton	
D501,486	S	2/2005	Leone	
D517,570	S	3/2006	Stiles, Jr.	
7,153,418	B2	12/2006	Mauro, Sr.	
7,264,449	B1	9/2007	Harned	
D555,089	S	11/2007	Lutz	
D589,060	S *	3/2009	Metcalfe	D15/7
7,544,041	B2	6/2009	Mayleben	
D602,501	S	10/2009	Ton	
7,597,732	B2	10/2009	Yokota	
D603,870	S	11/2009	Mehnert	
D611,504	S	3/2010	Ton	
D667,466	S	9/2012	Moormann	
8,297,952	B2	10/2012	Wu	
8,380,355	B2	2/2013	Mayleben	
8,529,228	B1	9/2013	Thompson	
D691,638	S	10/2013	Alexander	
D698,368	S *	1/2014	Le	D15/7
8,633,623	B2	1/2014	Bingler	
8,636,898	B2	1/2014	Perez	
D706,834	S *	6/2014	Nowicki	D15/9
D707,718	S *	6/2014	Gomez	D15/7
8,794,936	B2	8/2014	Tokuo	
D738,402	S	9/2015	Nelson	
D739,919	S *	9/2015	Alexander	D23/233

D744,003	S	11/2015	Ton	
9,399,976	B2	7/2016	Ramamurthy	
D769,332	S	10/2016	Varini	
9,605,688	B2	3/2017	Perez	
D788,932	S *	6/2017	Ton	D24/201
9,714,665	B2	7/2017	Saccoccio	
9,810,241	B2	11/2017	Gell, III	
D817,363	S *	5/2018	Alexander	D15/7
9,964,111	B2	5/2018	Yano	
D823,345	S *	7/2018	Wilds	D15/7
D823,898	S *	7/2018	Alexander	D15/7
D836,677	S *	12/2018	Alexander	D15/7
D848,487	S *	5/2019	van Opdorp	D15/7
D868,117	S *	11/2019	Mayleben	D15/7
D875,142	S *	2/2020	Wilds	D15/7
D890,211	S *	7/2020	Cooper	D15/7
10,711,788	B2 *	7/2020	Mayleben	F04D 13/086
D893,552	S *	8/2020	Mayleben	D15/7
10,760,586	B2	9/2020	Saccoccio	
2003/0002996	A1	1/2003	Pace	
2003/0091440	A1	5/2003	Patel	
2003/0161732	A1	8/2003	Kimberlin	
2005/0201858	A1	9/2005	Wang	
2005/0231899	A1	10/2005	Barnes	
2006/0064954	A1	3/2006	Yokota	
2006/0083630	A1	4/2006	Chen	
2006/0275162	A1	12/2006	Mayleben	
2008/0199326	A1	8/2008	Masoudipour	
2011/0123357	A1	5/2011	Leone	
2013/0214895	A1	8/2013	Ullermann	
2014/0166109	A1	6/2014	Takai	
2014/0286747	A1	9/2014	Fang	
2014/0341752	A1	11/2014	Gell, III	
2015/0167673	A1	6/2015	Saccoccio	
2015/0308425	A1	10/2015	Skotty	
2016/0037987	A1	2/2016	Caro	
2017/0030371	A1	2/2017	Wilds	
2019/0048875	A1	2/2019	Mayleben	
2019/0154061	A1	5/2019	Gilliland	
2019/0309757	A1	10/2019	Rejniak	

FOREIGN PATENT DOCUMENTS

EM	000673363	2/2007
EM	000777123	8/2007
EM	001379309	7/2013
EM	001388441	10/2013
EM	0027086770002	5/2015
EM	0027086770004	5/2015
EP	1178212	2/2002
EP	1241357	9/2002
EP	3058800	A1 8/2016
GB	1320841	A 6/1793
RU	2489784	7/2013
RU	166537	11/2016
WO	0017521	3/2000
WO	2006137777	12/2006
WO	2011137425	11/2011
WO	2012037991	3/2012

OTHER PUBLICATIONS

Wayne/Scott Fetzer Company, Operating Instructions and Replacement Parts List, Submersible Utility Pumps VIP Series, that discloses a pump that was on sale or publicly disclosed more than 1 year before the filing date of the instant application, 2011, 12 pp.
Blue Angel Pump Company, Blue Angel Catalog, 2018, 34 pp.
Blue Angel Pump Company, Blue Angel Catalog, Oct. 2015, 39 pp.
Wayne Water Systems, Wayne Catalog, Oct. 2014, 52 pp.
Patent Cooperation Treaty, International Searching Authority, Notification of Transmittal of the International Search Report and the Written Opinion of the International Searching Authority, or the Declaration issued in International Application No. PCT/US2018/046604, Nov. 29, 2018, 11 pp.

* cited by examiner

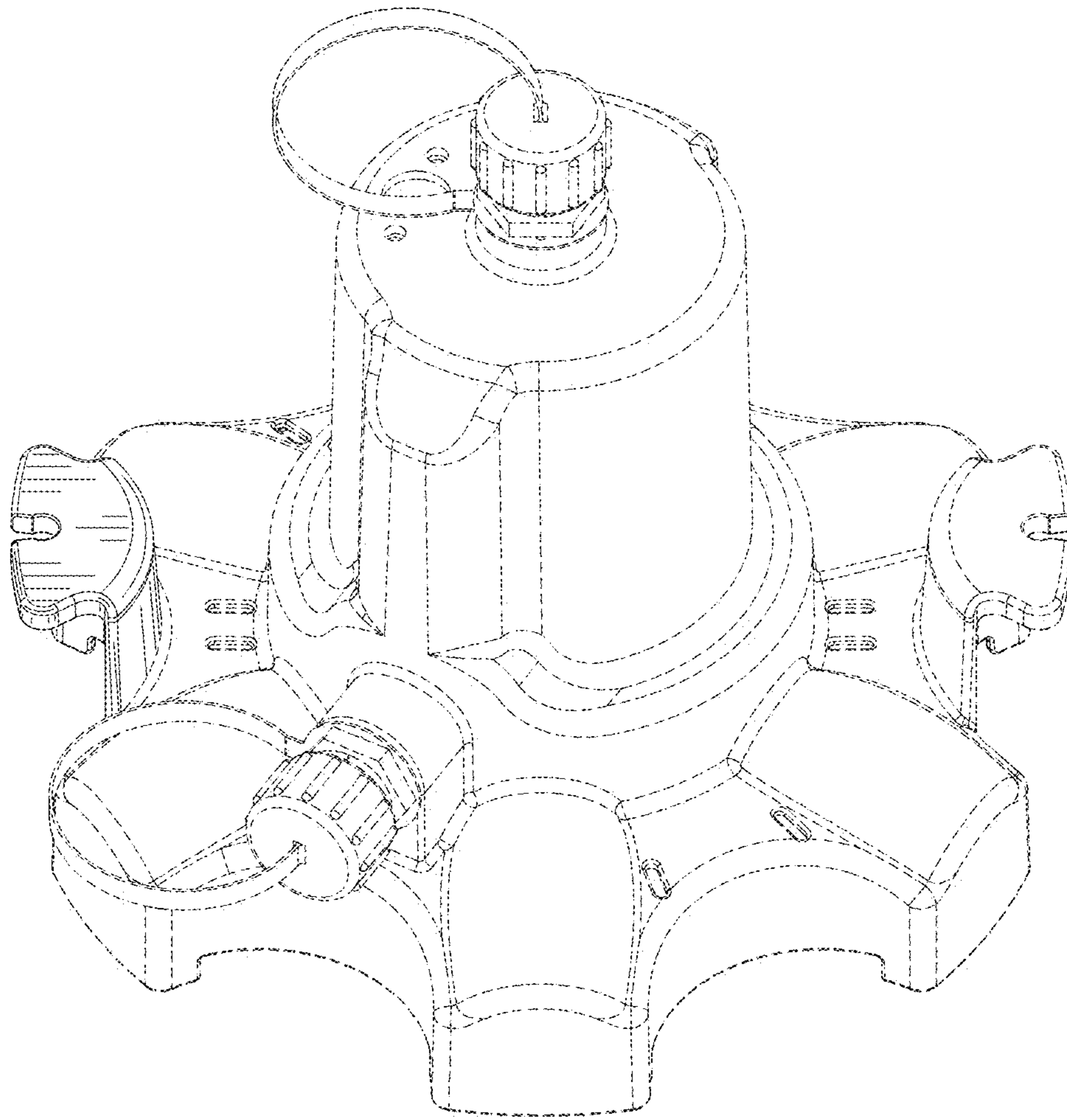


FIG. 1

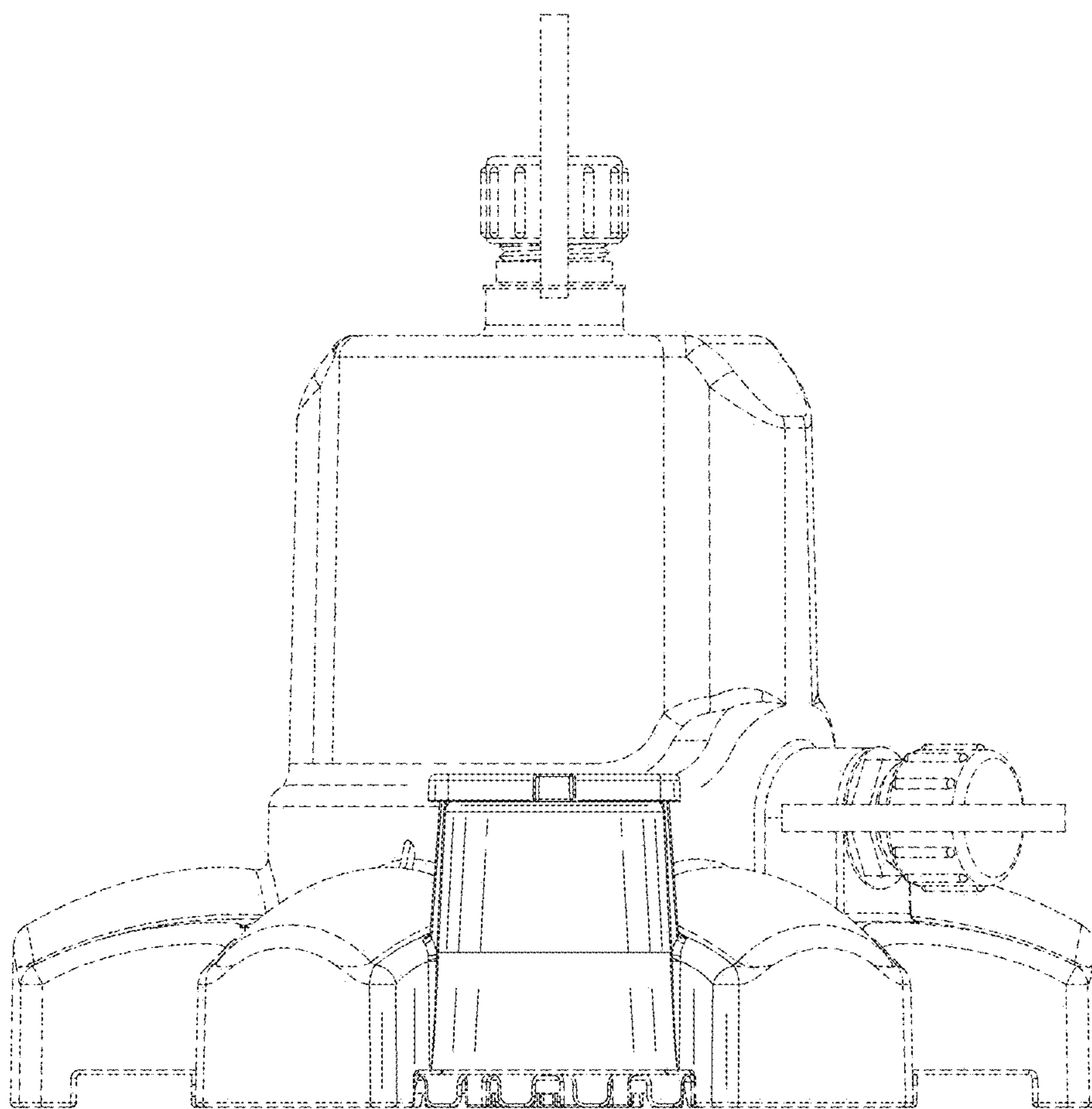


FIG. 2

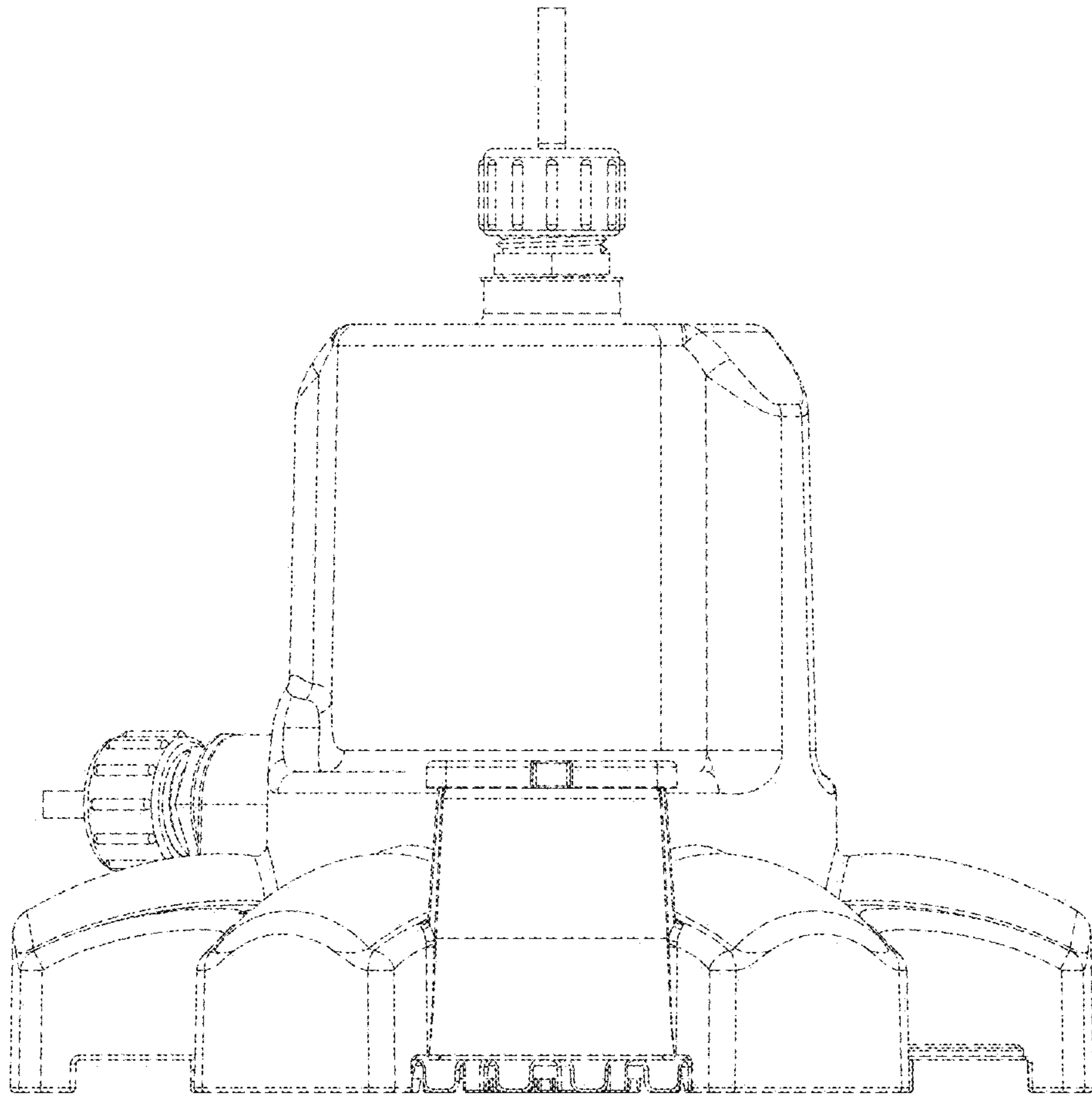


FIG. 3

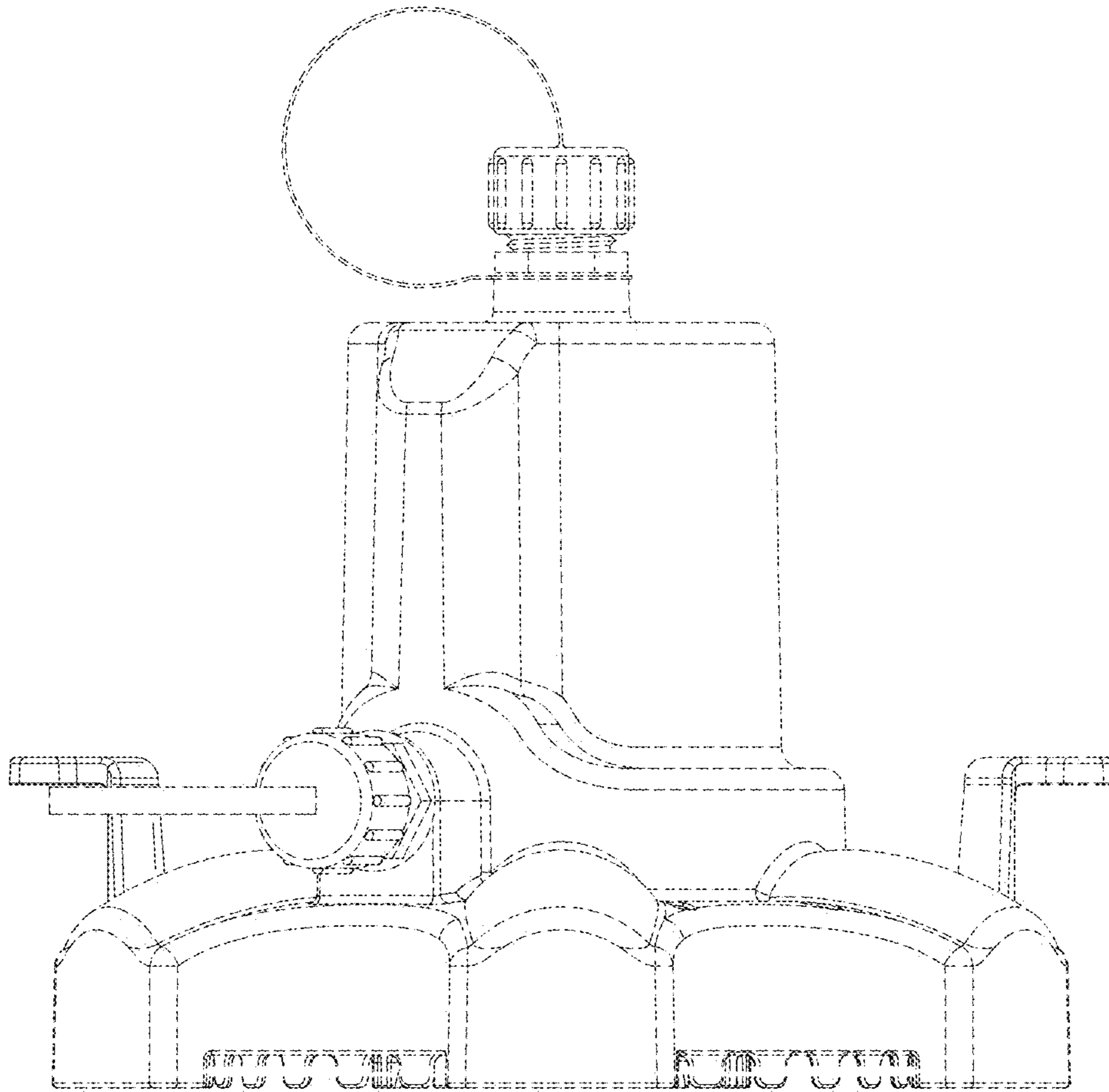


FIG. 4

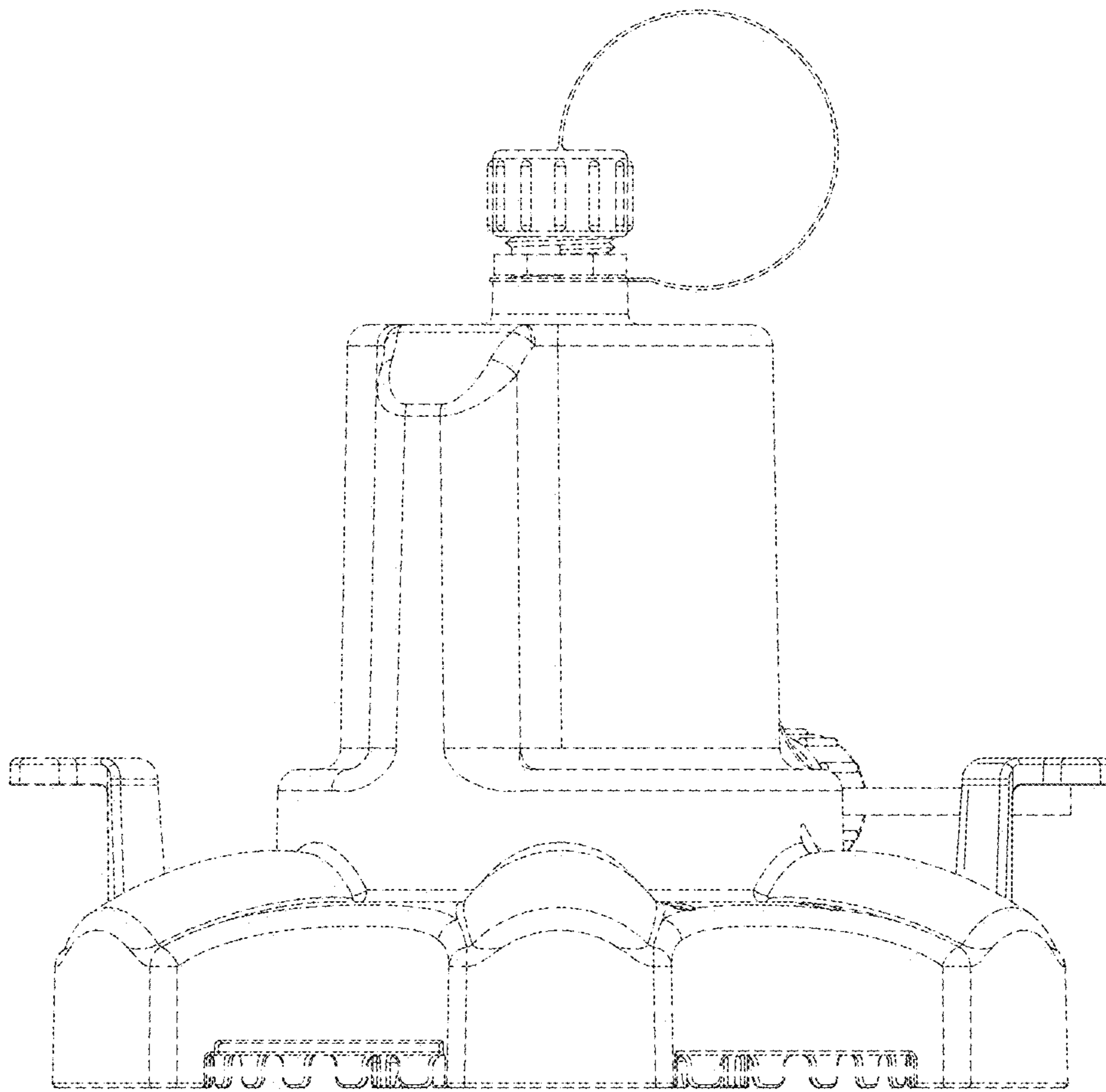


FIG. 5

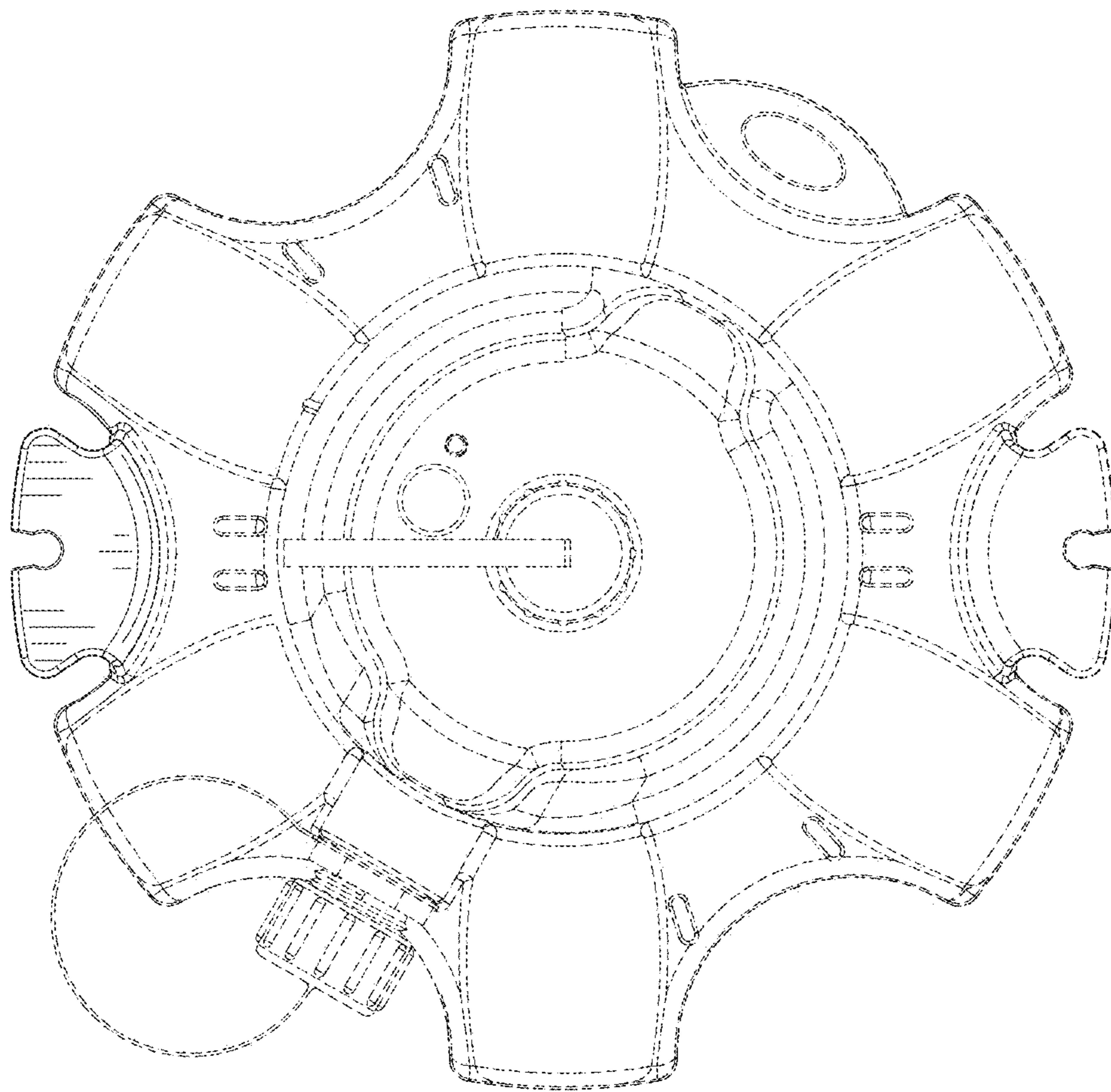


FIG. 6

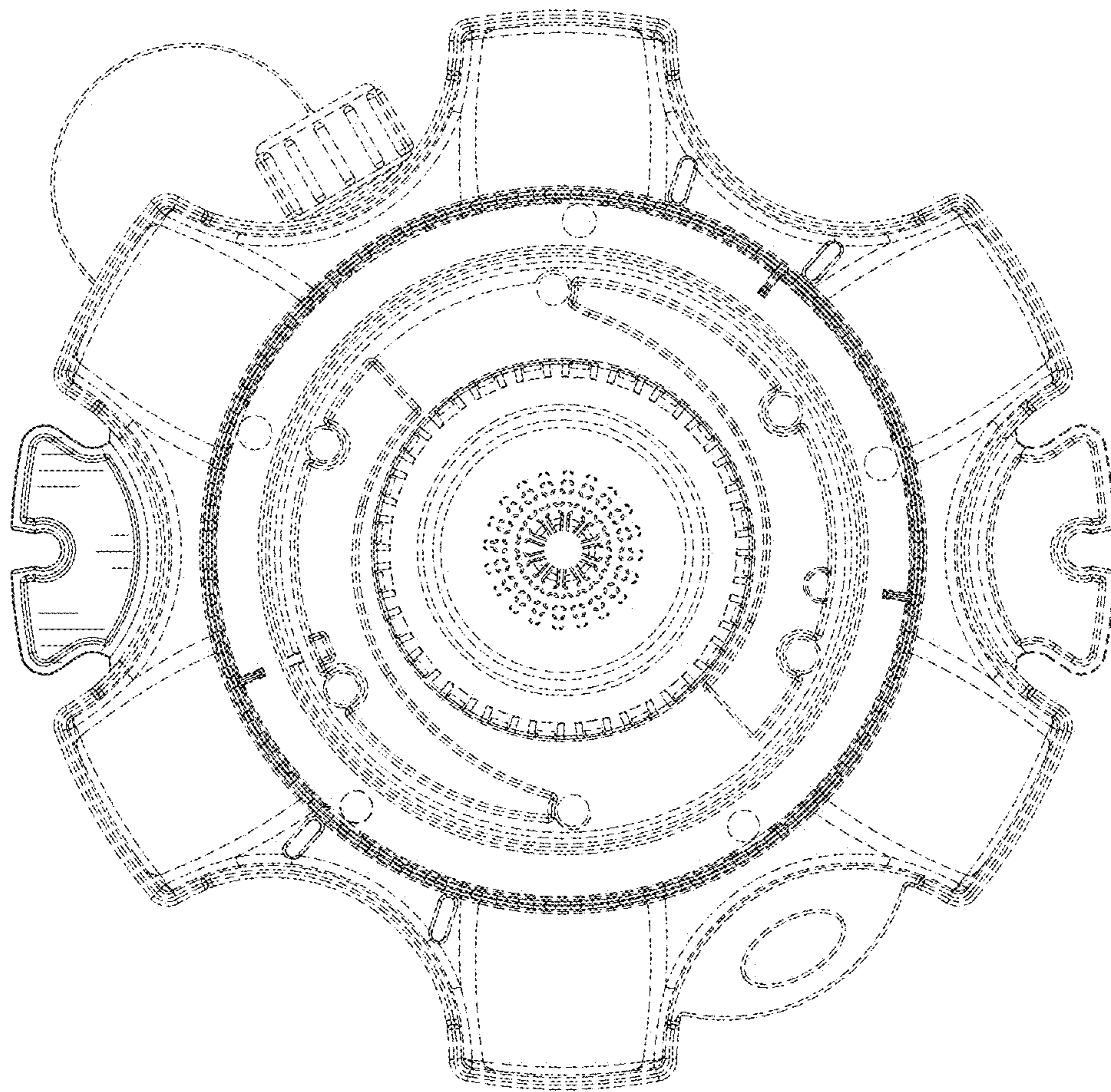


FIG. 7

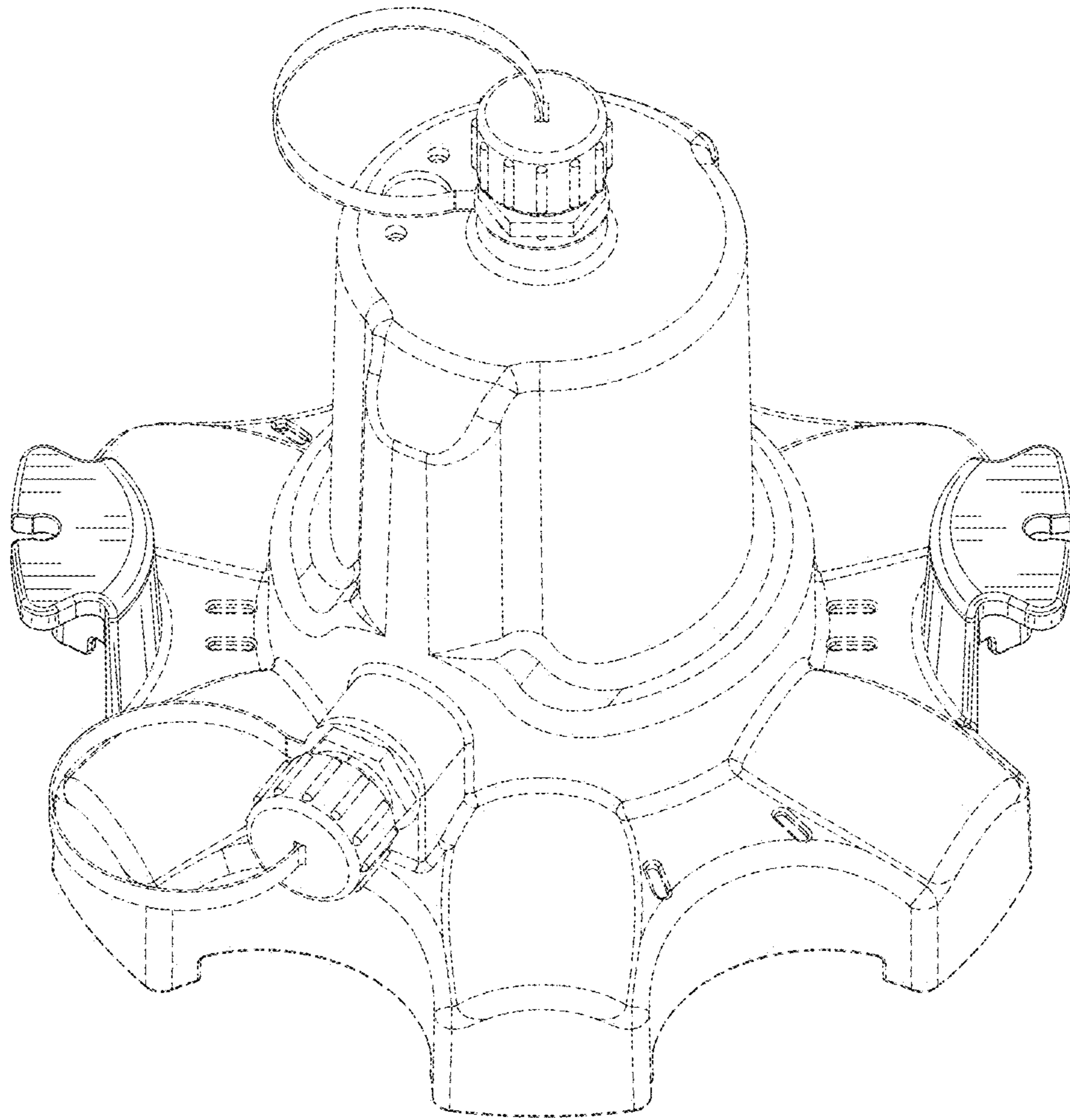


FIG. 8

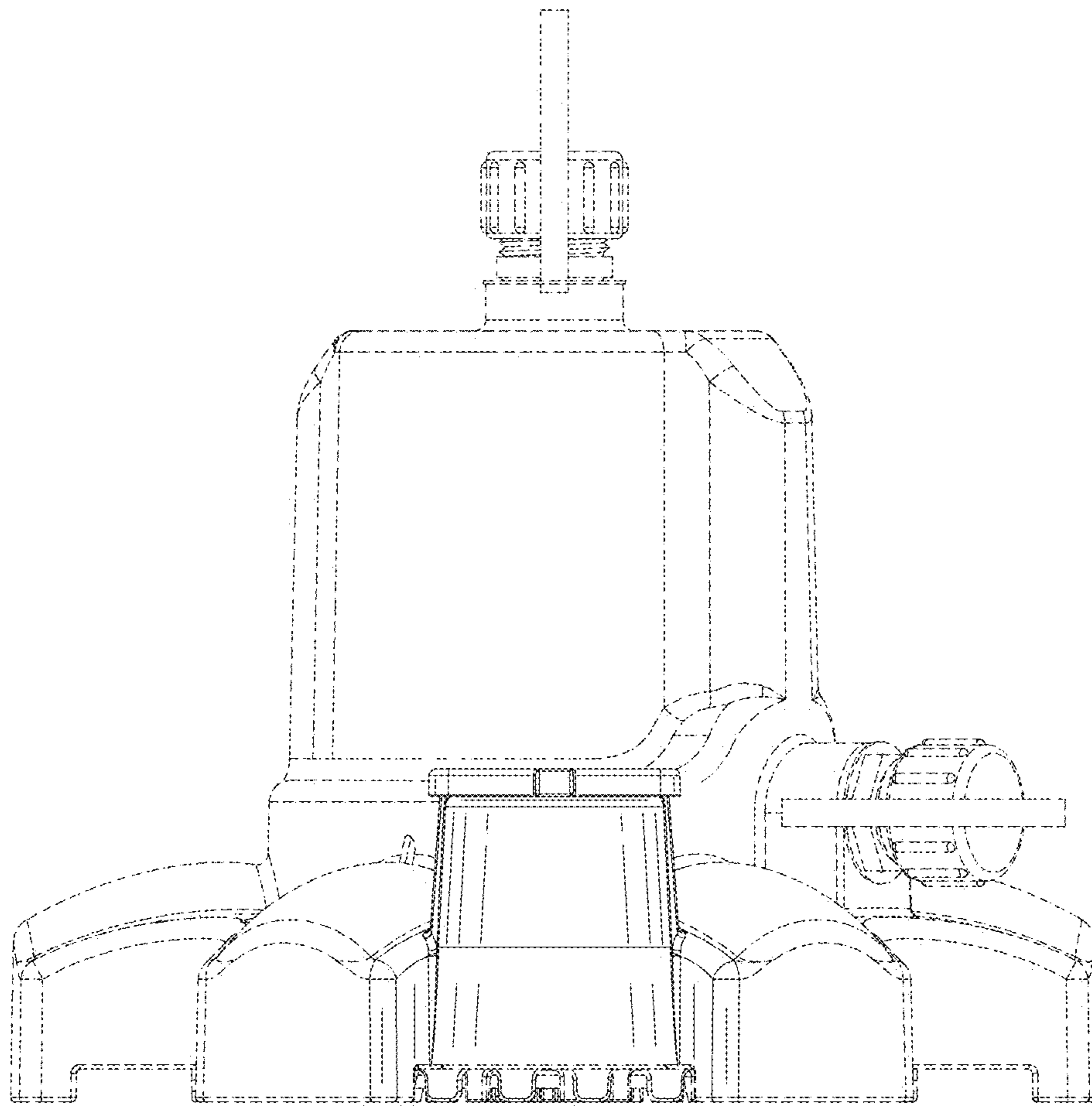


FIG. 9

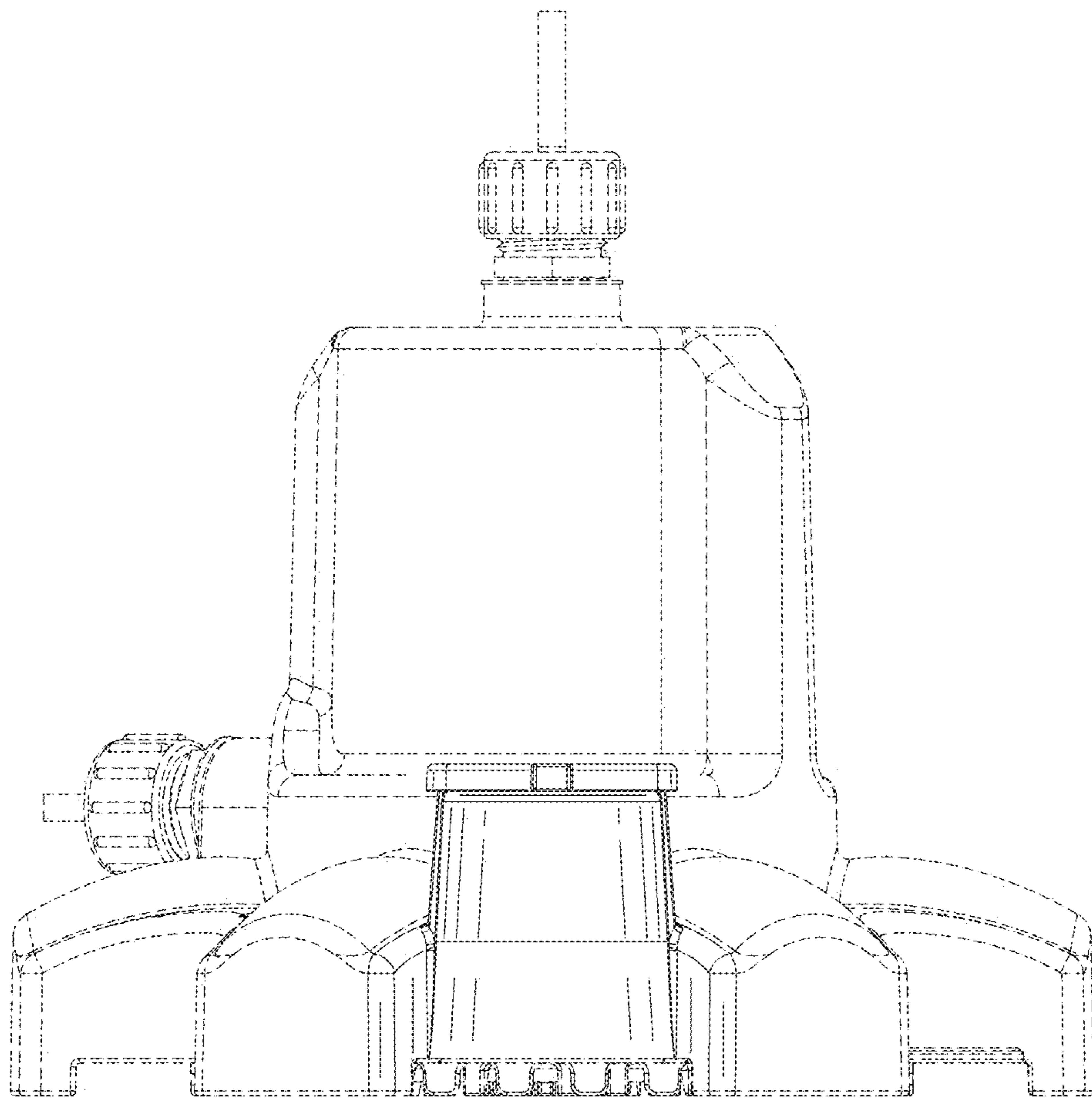


FIG. 10

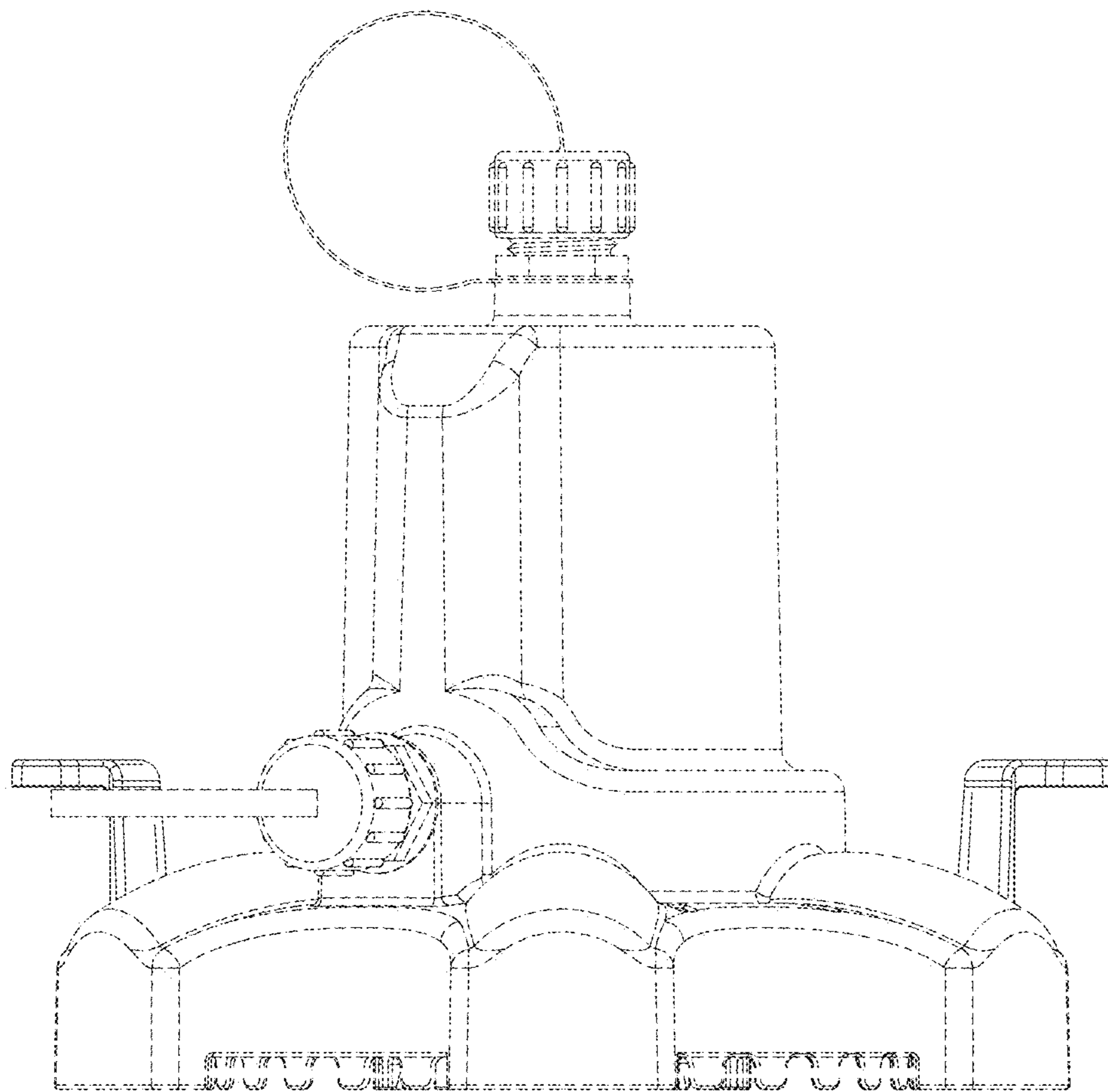


FIG. 11

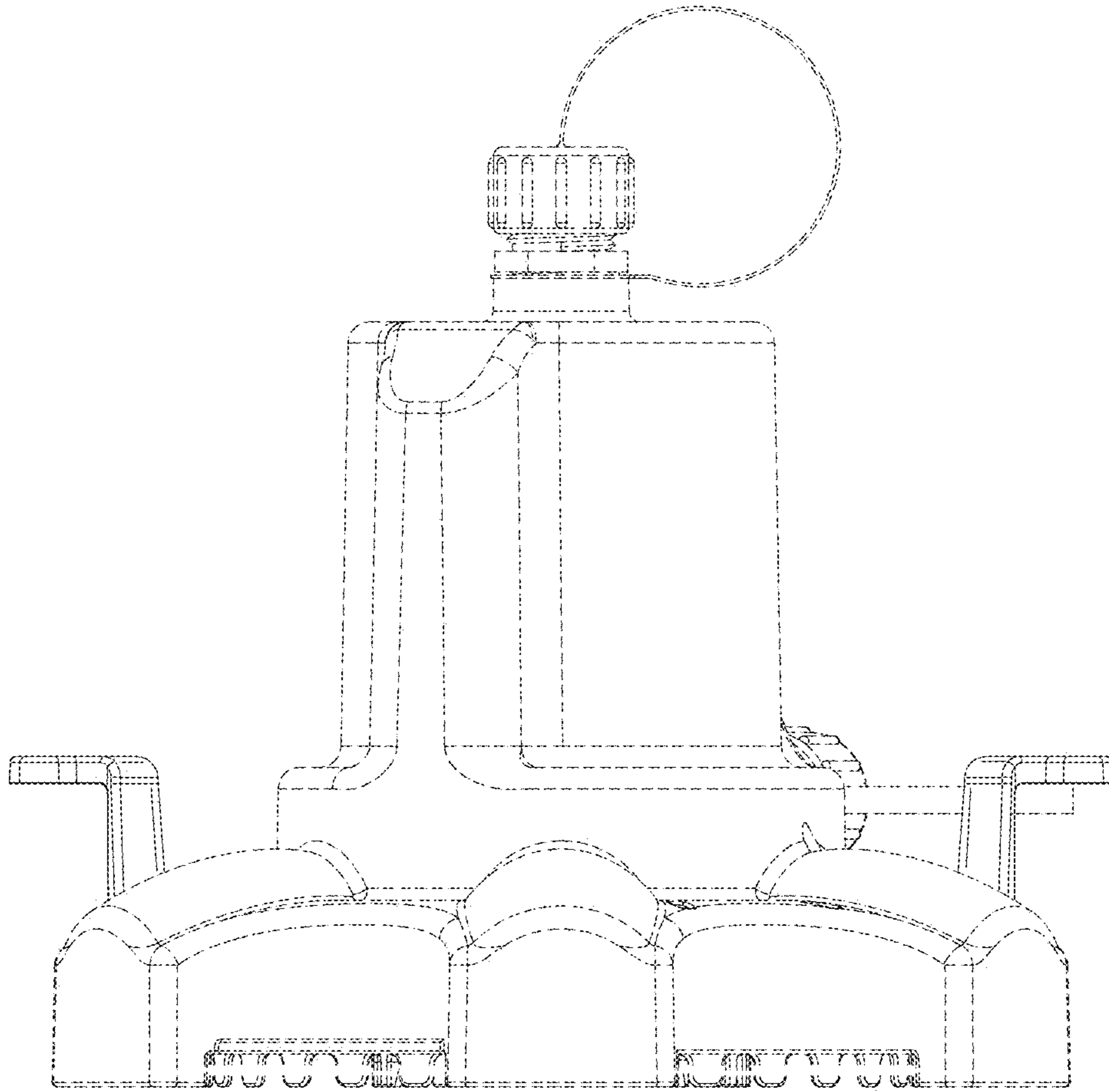


FIG. 12

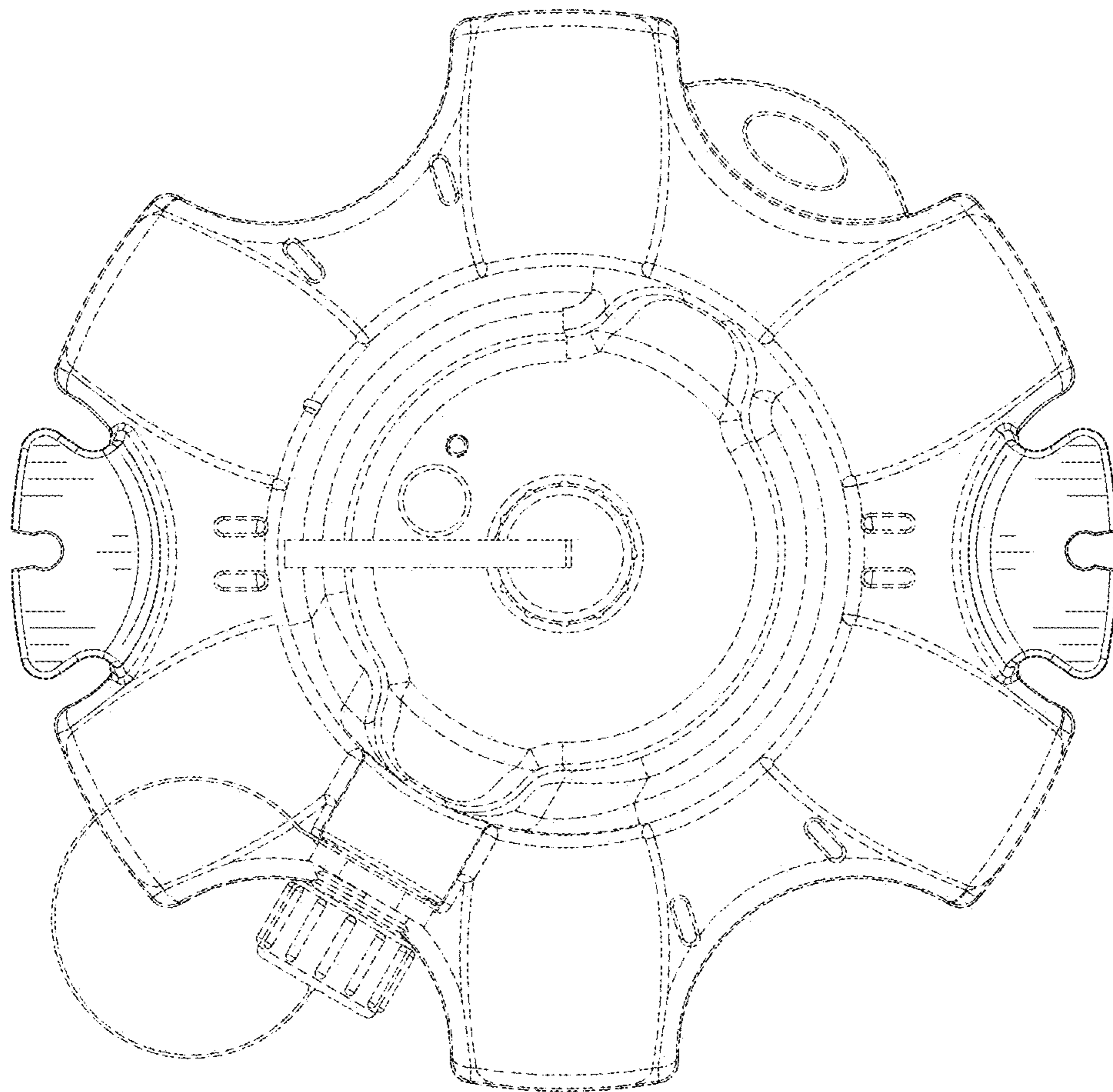


FIG. 13

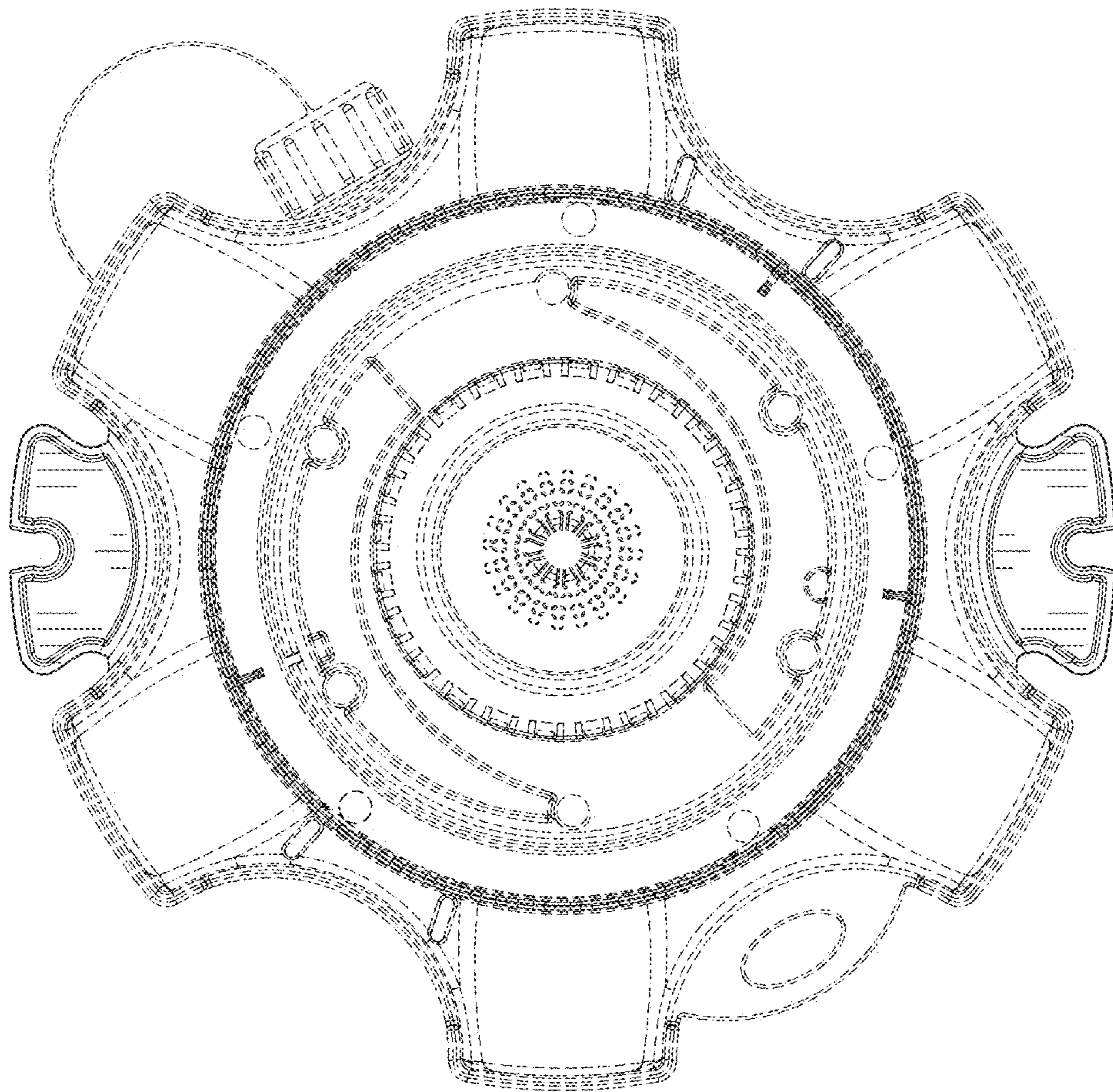


FIG. 14