



US00D918267S

(12) **United States Design Patent**
Salvini et al.

(10) **Patent No.:** **US D918,267 S**

(45) **Date of Patent:** **** May 4, 2021**

(54) **ENGINE COVER**

(71) Applicant: **FPT INDUSTRIAL S.p.A.**, Turin (IT)

(72) Inventors: **Tiziano Salvini**, Tribiano (IT); **Alessio Cadalora**, Modena (IT); **Simone Molesini**, Carpi (IT); **Jakub Maria Sulikowski**, Gdansk (PL)

(73) Assignee: **FPT INDUSTRIAL S.P.A.**, Turin (IT)

(**) Term: **15 Years**

(21) Appl. No.: **29/668,185**

(22) Filed: **Oct. 29, 2018**

(51) **LOC (13) Cl.** **15-01**

(52) **U.S. Cl.**
USPC **D15/5**

(58) **Field of Classification Search**
USPC D15/1-5, 17, 28, 31; D12/43, 114, 126, D12/163, 196, 216, 221, 317, 345
CPC . F02F 1/00; F02F 7/0065; F02B 77/00; F02B 77/02; F02B 77/13; B60R 13/08
See application file for complete search history.

(56) **References Cited**

U.S. PATENT DOCUMENTS

| | | | | |
|---------------|---------|-------------|-------|------------|
| D216,876 S * | 3/1970 | Gale et al. | | D15/31 |
| 3,955,526 A * | 5/1976 | Kusche | | B63H 20/32 |
| | | | | 440/77 |
| D375,101 S * | 10/1996 | Icenogle | | 440/66 |
| D396,478 S * | 7/1998 | Hubbach | | D15/5 |
| D465,498 S * | 11/2002 | Geffert | | D15/1 |
| D510,720 S * | 10/2005 | Kruse | | D12/317 |
| D512,438 S * | 12/2005 | Matsunami | | D15/5 |
| D517,568 S * | 3/2006 | Pfeiffer | | D15/5 |
| D526,333 S * | 8/2006 | Mizutani | | D15/5 |
| D548,750 S * | 8/2007 | Neeley | | D15/5 |
| D566,134 S * | 4/2008 | Ito | | D15/11 |
| D576,178 S * | 9/2008 | Neeley | | D15/1 |
| D600,599 S * | 9/2009 | Watanabe | | D12/126 |
| D715,726 S * | 10/2014 | Curts | | D12/317 |

| | | | | |
|--------------|---------|-------------|-------|---------|
| D724,540 S * | 3/2015 | Muro | | D13/122 |
| D757,126 S * | 5/2016 | Vaninetti | | D15/31 |
| D781,755 S * | 3/2017 | Watanabe | | D12/126 |
| D798,774 S * | 10/2017 | Janyapanich | | D12/114 |

(Continued)

FOREIGN PATENT DOCUMENTS

EM 001370489 8/2018

OTHER PUBLICATIONS

General Motors, GM Accessories 12697373—C8 Corvette LT2 Engine Cover, (site visited Oct. 2, 2020), Scoggins Dickey Parts Center, URL:<<https://sdparts.com/i-24136074-gm-accessories-12697373-c8-corvette-lt2-engine-cover-sterling-silver.html>> (Year: 2020).*

(Continued)

Primary Examiner — Sheryl Lane
Assistant Examiner — Mark T. Philipps
(74) *Attorney, Agent, or Firm* — Cowan, Liebowitz & Latman, P.C.; Anastasia Zhadina

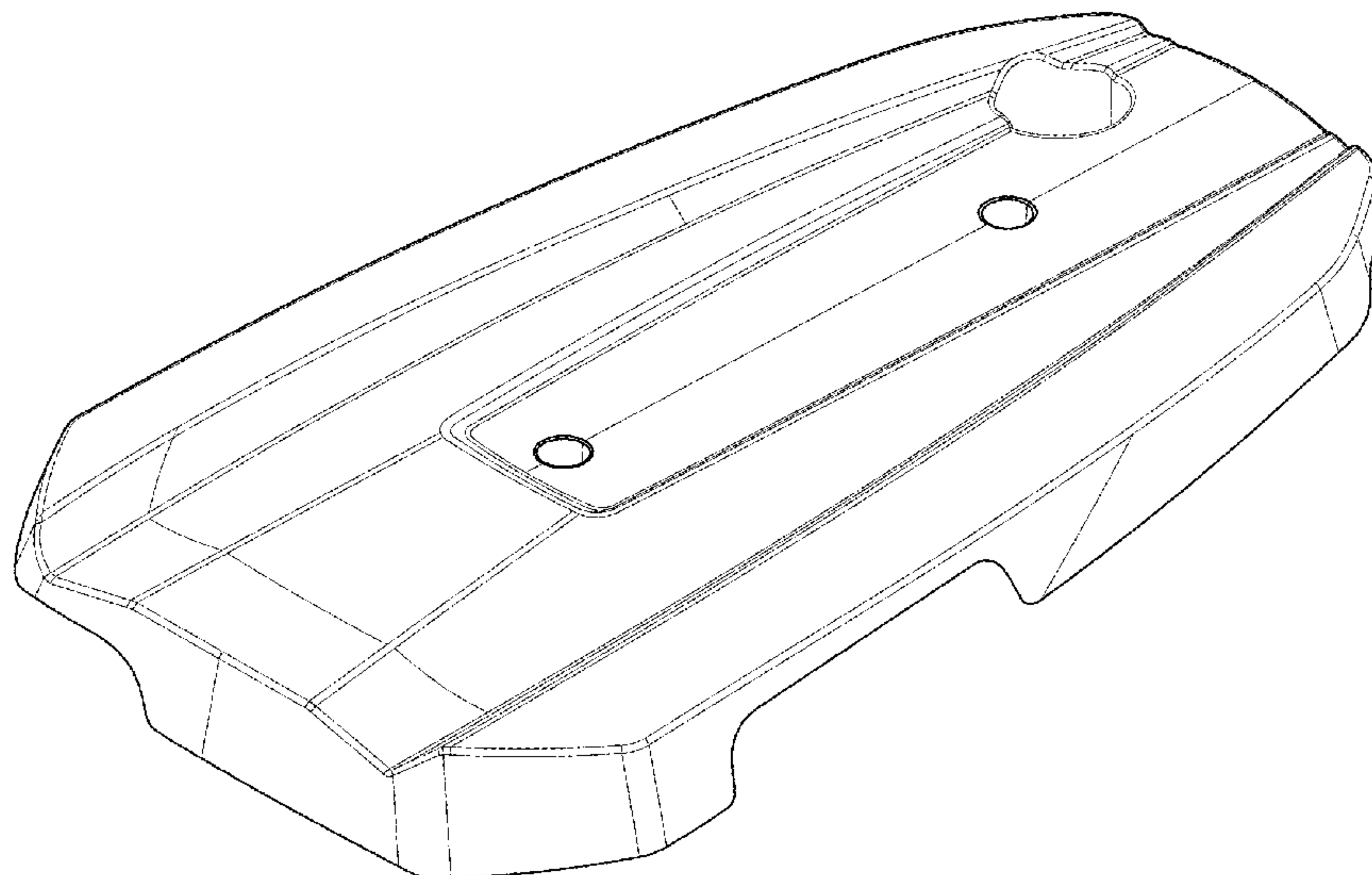
(57) **CLAIM**

The ornamental design for engine cover, as shown and described.

DESCRIPTION

FIG. 1 is a front perspective view of engine cover showing our design;
FIG. 2 is a top plan view thereof;
FIG. 3 is a bottom plan view thereof;
FIG. 4 is a right-side view thereof;
FIG. 5 is a left-side view thereof;
FIG. 6 is a front view thereof; and,
FIG. 7 is a rear view thereof.
Broken lines showing portions of the engine cover are included for the purpose of illustrating environment and form no part of the claimed design.

1 Claim, 7 Drawing Sheets



(56)

References Cited

U.S. PATENT DOCUMENTS

D816,716 S * 5/2018 Abellera D15/4
D826,279 S * 8/2018 Vaninetti D15/5
D871,977 S * 1/2020 Rigolio D12/114
D882,645 S * 4/2020 Bjerke D15/29
D888,767 S * 6/2020 Cenan D15/5
D890,210 S * 7/2020 Bachmann D15/1
D890,900 S * 7/2020 Bink D23/364
D897,373 S * 9/2020 Li D15/5
2011/0146616 A1 * 6/2011 Byer B29C 44/1219
123/198 E
2017/0232830 A1 * 8/2017 Waskie F02B 77/00
180/291
2018/0291804 A1 * 10/2018 Nola F02B 77/11

OTHER PUBLICATIONS

Boatmag International, New for 2018, here's the cutting edge FPT Industrial N67 570 EVO, (published Oct. 10, 2017), BoatMag International Website, URL:<<http://www.boatmaginternational.com/8278-new-2018-cutting-edge-fpt-industrial-n67-570-evo/>> (Year: 2017).*

* cited by examiner

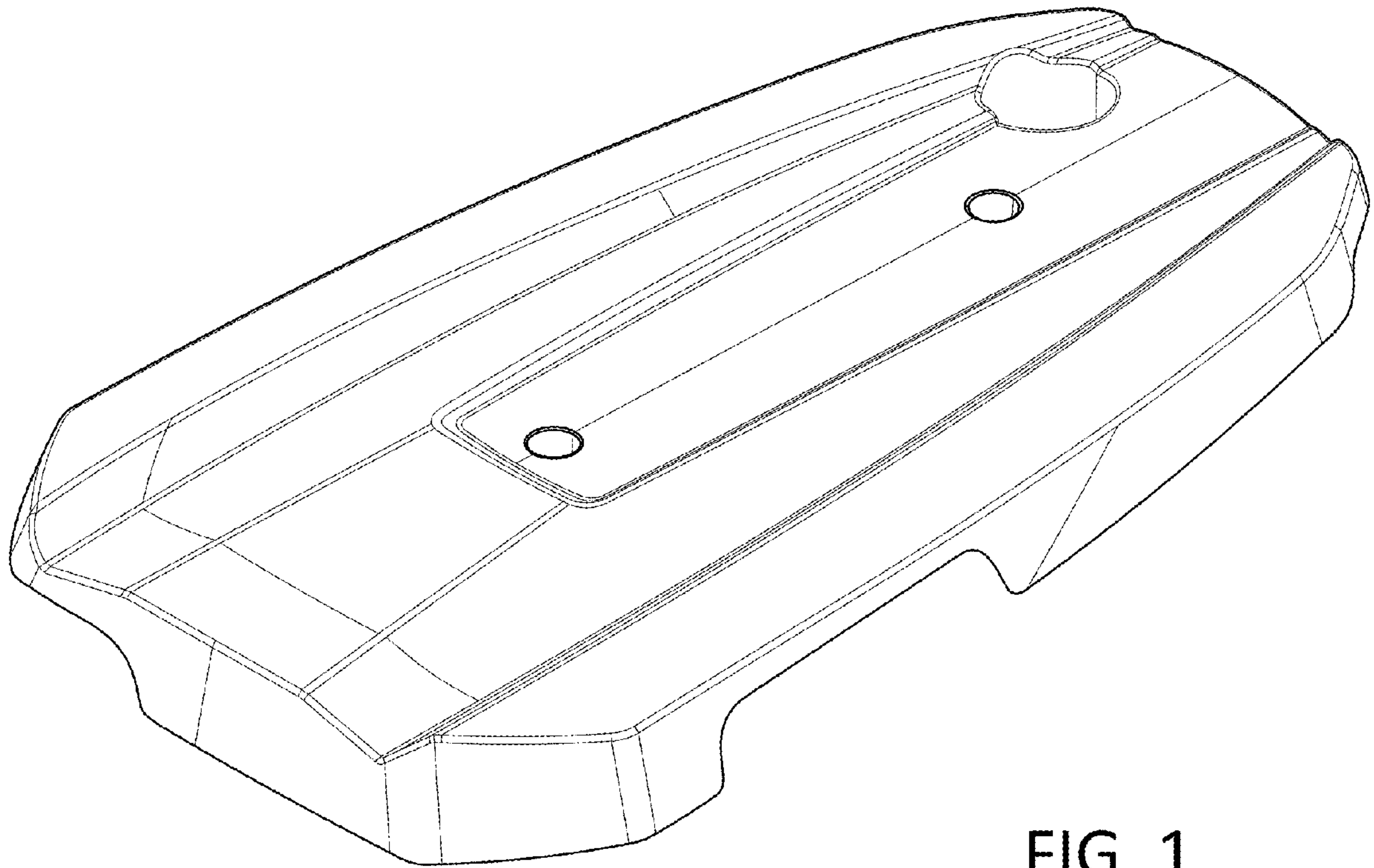


FIG. 1

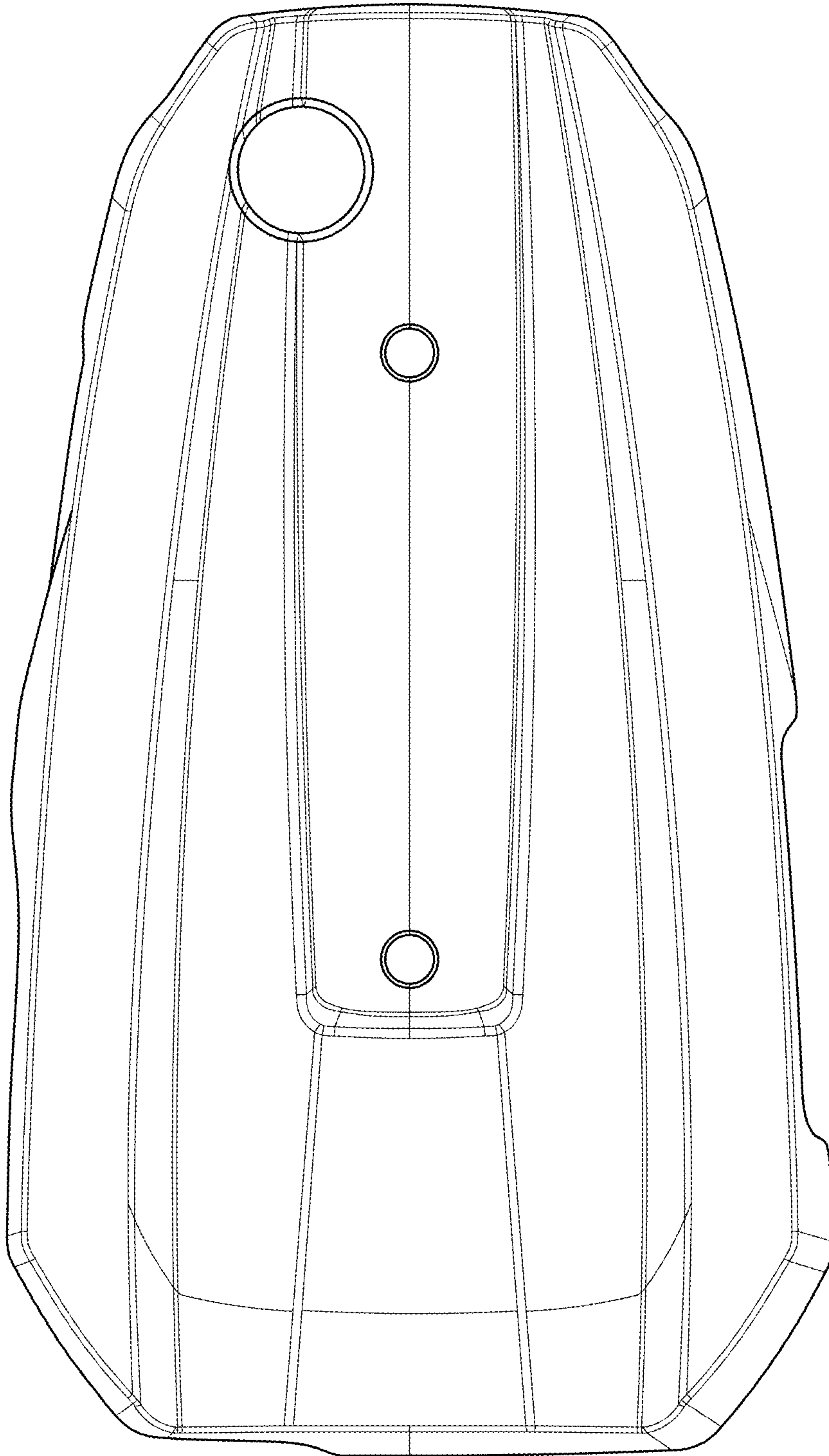


FIG. 2

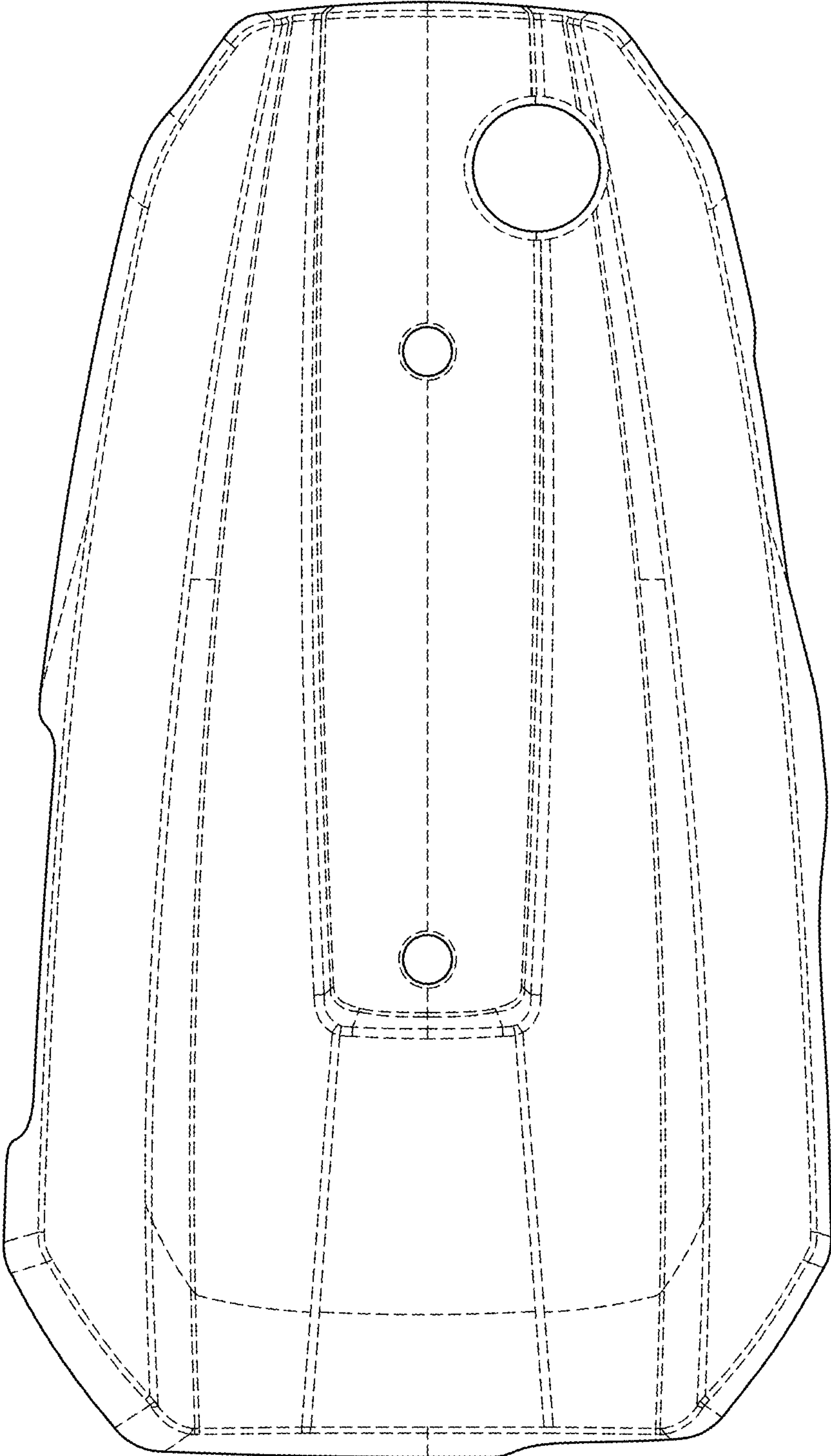


FIG. 3

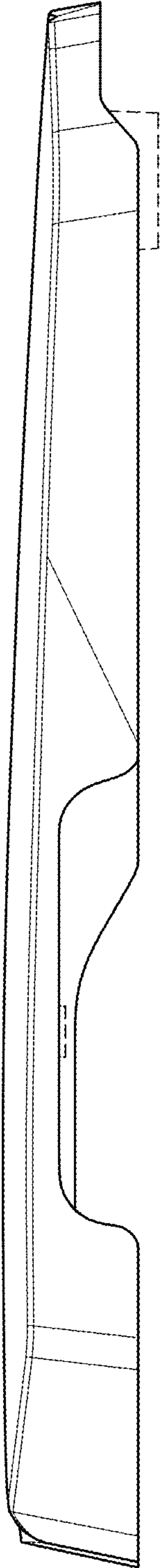


FIG. 4

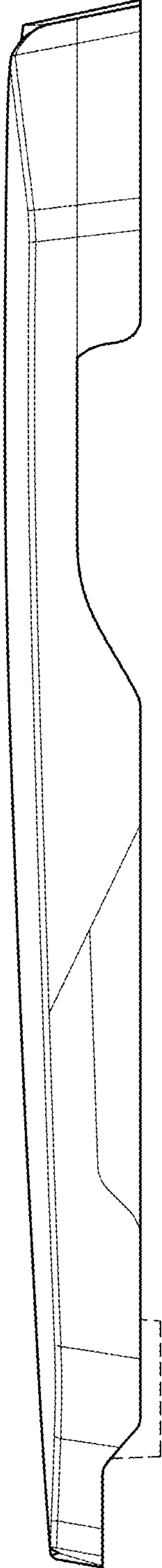


FIG. 5

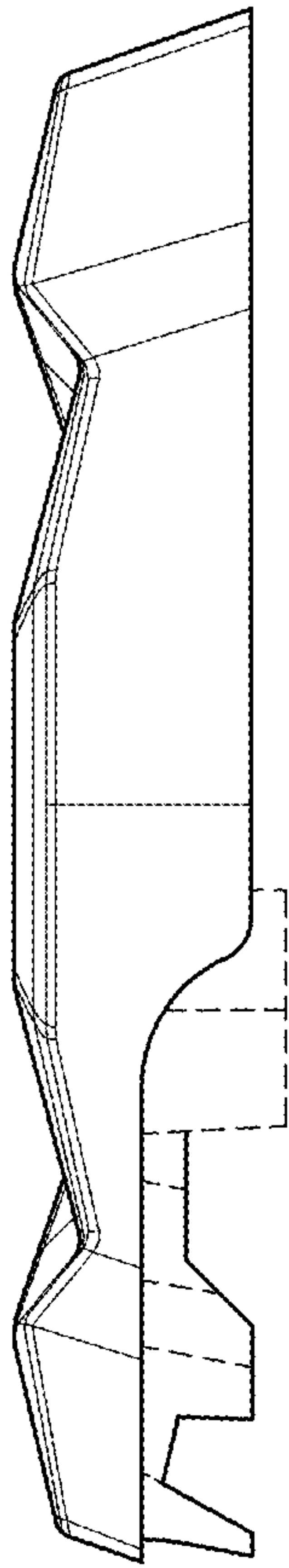


FIG. 6

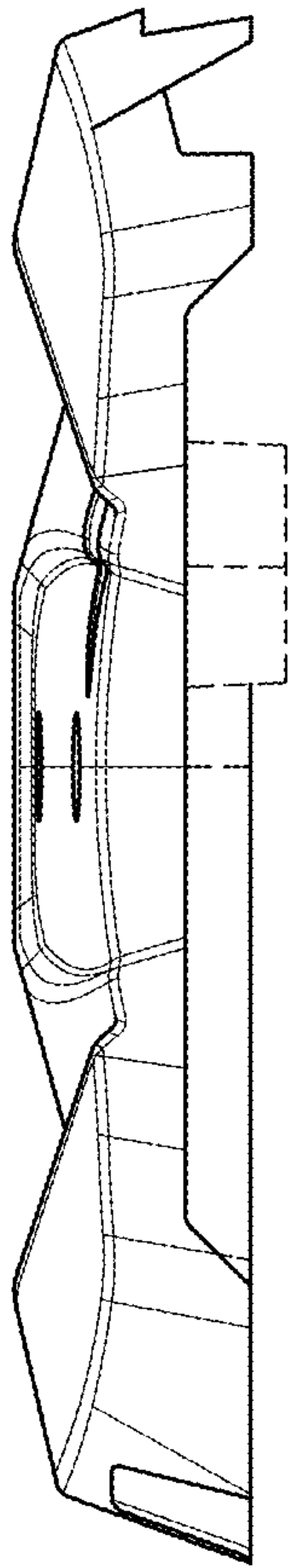


FIG. 7