



US00D918266S

(12) **United States Design Patent** (10) **Patent No.:** **US D918,266 S**
Weil (45) **Date of Patent:** **** May 4, 2021**

(54) **TROLLING MOTOR COVER**
(71) Applicant: **Stephen Weil**, Pottstown, PA (US)
(72) Inventor: **Stephen Weil**, Pottstown, PA (US)
(**) Term: **15 Years**

D568,904 S 5/2008 Osumi
D592,313 S * 5/2009 Levine D24/214
D639,696 S * 6/2011 Smith D11/1
8,188,876 B1 * 5/2012 Holley B63H 21/21
340/636.15
D665,072 S * 8/2012 Trento D24/104
8,656,967 B2 2/2014 Switzer
(Continued)

(21) Appl. No.: **29/656,186**
(22) Filed: **Jul. 11, 2018**
(51) **LOC (13) Cl.** **15-01**
(52) **U.S. Cl.**
USPC **D15/5**
(58) **Field of Classification Search**
USPC D15/4; D13/112, 122, 184
CPC B63H 20/007; B63H 20/14; H02K 5/04
See application file for complete search history.

OTHER PUBLICATIONS

Motor Guide, Motor Guide Control Box Kit (XI3/XI5), (site visited Jun. 11, 2020), Trolling Motor Parts .com, URL:<https://trollingmotorparts.com/motor-guide-control-box-kit-xi3-xi5/> (Year: 2020).*

(Continued)

Primary Examiner — Sheryl Lane
Assistant Examiner — Mark T. Philipps

(56) **References Cited**
U.S. PATENT DOCUMENTS

D57,483 S * 4/1921 Reitz D13/112
D112,907 S * 1/1939 Karstadt D15/4
2,434,784 A 1/1948 Bardin
2,498,113 A 2/1950 Milner
3,010,124 A 11/1961 Dawson
D235,215 S * 5/1975 Larsen D24/104
4,008,680 A * 2/1977 Alexander, Jr. B63H 20/007
440/6
4,130,079 A * 12/1978 Rhorer B63H 21/265
114/146
D260,395 S * 8/1981 Kappas D15/4
D308,525 S * 6/1990 Robbins D15/4
D312,259 S * 11/1990 Robbins D15/4
D325,916 S * 5/1992 Lanier 440/72
5,112,256 A * 5/1992 Clement B63H 20/007
440/58
D380,478 S * 7/1997 Robbins D15/4
5,813,361 A 9/1998 Milliman
D418,521 S * 1/2000 Hansen D15/4
D460,459 S * 7/2002 Hansen D15/4
D498,838 S * 11/2004 Yoshida D24/104
D552,130 S * 10/2007 Steinberg D15/4

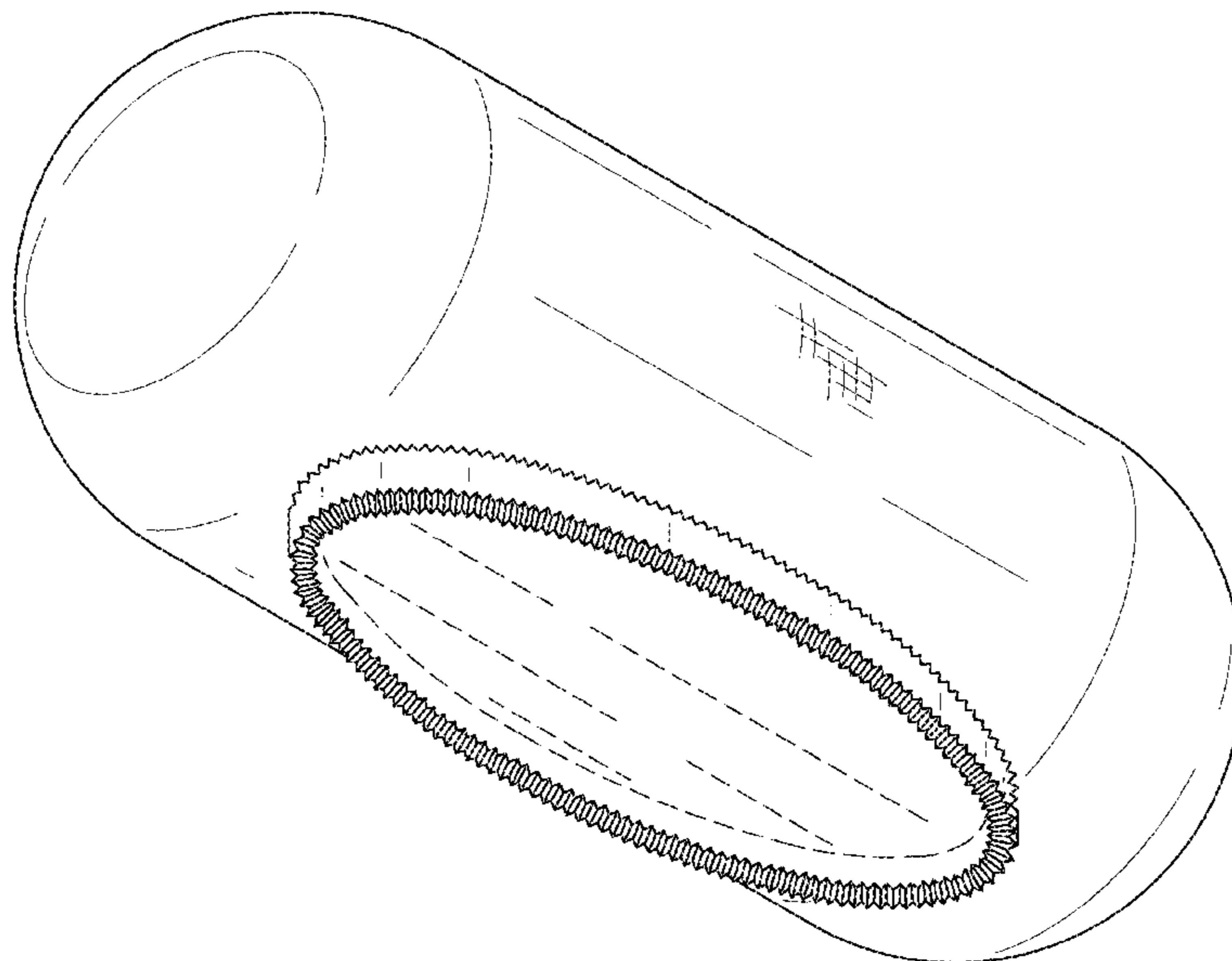
(57) **CLAIM**

The ornamental design for a trolling motor cover, as shown and described.

DESCRIPTION

FIG. 1 is a front view of a trolling motor cover showing my new design, a rear view being identical;
FIG. 2 is a left side view of the trolling motor cover, a right side view being identical;
FIG. 3 is a top view of the trolling motor cover;
FIG. 4 is a bottom view of the trolling motor cover;
FIG. 5 is a bottom front side perspective view of the trolling motor cover; and,
FIG. 6 is a top front side perspective view of the trolling motor cover in use.
The broken lines in FIGS. 4 and 5 form no part of the claimed design. The broken lines in FIG. 6 are for illustrative purposes only and form no part of the claimed design.

1 Claim, 6 Drawing Sheets



(56)

References Cited

U.S. PATENT DOCUMENTS

8,919,262 B2 12/2014 Daniel, IV
 D720,809 S * 1/2015 Jour D19/86
 D729,395 S * 5/2015 Shinnick D24/200
 9,051,039 B1 * 6/2015 Poorbaugh B63H 20/36
 D747,791 S * 1/2016 Kaser D24/104
 D778,173 S * 2/2017 Pisarevsky D9/719
 D806,752 S * 1/2018 Vaninetti D15/4
 D808,296 S * 1/2018 Hendifar D11/131
 D821,988 S * 7/2018 Chang D13/184
 D834,388 S * 11/2018 Sargeant D7/703
 D839,095 S * 1/2019 Fux D9/503
 D839,096 S * 1/2019 Fux D9/503
 D862,524 S * 10/2019 Onorato D15/4
 D886,864 S * 6/2020 Bailey D15/4
 2002/0013106 A1 * 1/2002 Healey G01S 7/521
 440/6
 2002/0102888 A1 * 8/2002 Pasley B63H 20/007
 440/6

2003/0024456 A1 * 2/2003 Swetish B63H 20/007
 114/144 R
 2005/0042945 A1 * 2/2005 Mathers F02D 41/0007
 440/49
 2007/0044260 A1 * 3/2007 Lin A46B 17/04
 15/184
 2008/0081947 A1 * 4/2008 Irion A61B 1/041
 600/109
 2010/0186466 A1 * 7/2010 Frantz B63J 99/00
 70/174
 2016/0039509 A1 * 2/2016 Bryan B63H 20/106
 248/642
 2017/0210455 A1 * 7/2017 Bernloehr B63H 20/06

OTHER PUBLICATIONS

Mercury, Cover Kit-Top/Bot M899342A1, (site visited Jun. 11, 2020), Boats.net, URL:<<https://www.boats.net/product/mercury/M899342A1>> (Year: 2020).*

* cited by examiner

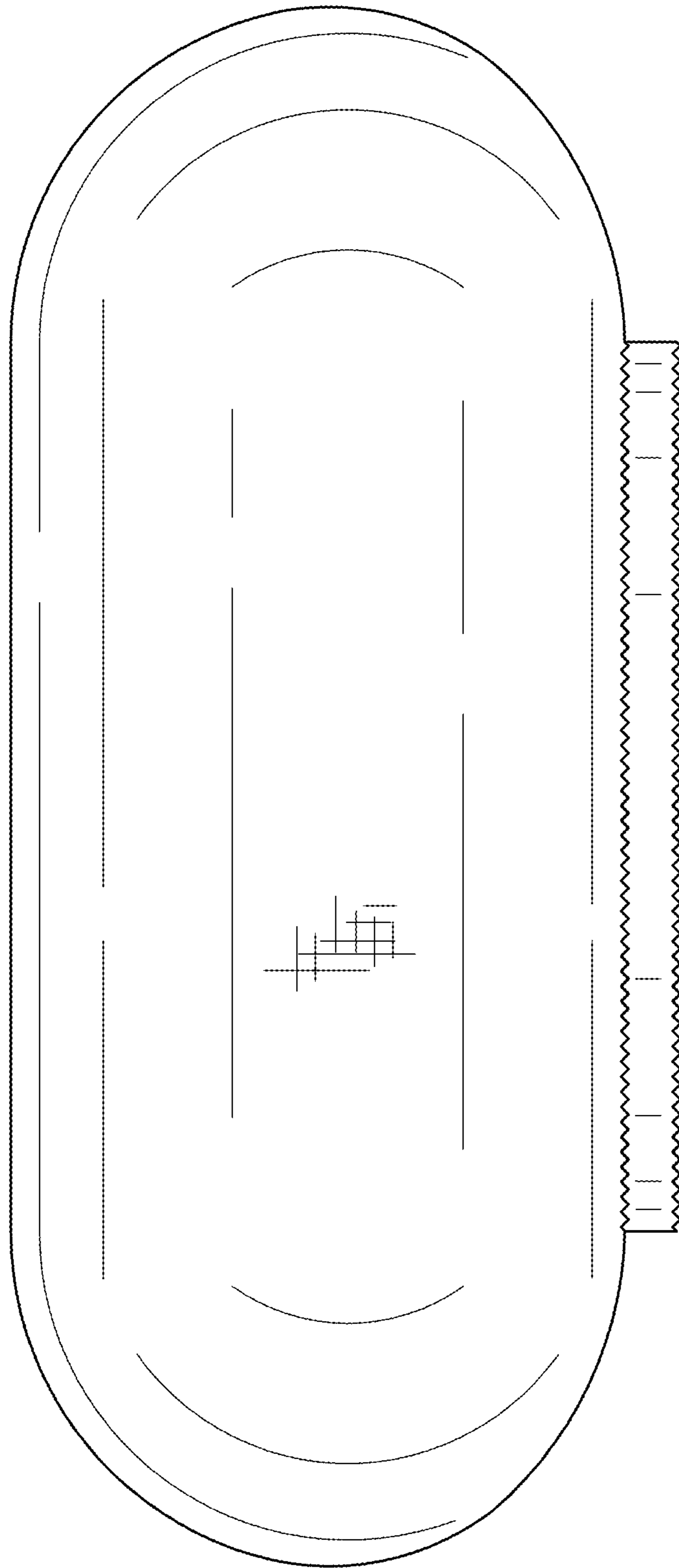


FIG. 1

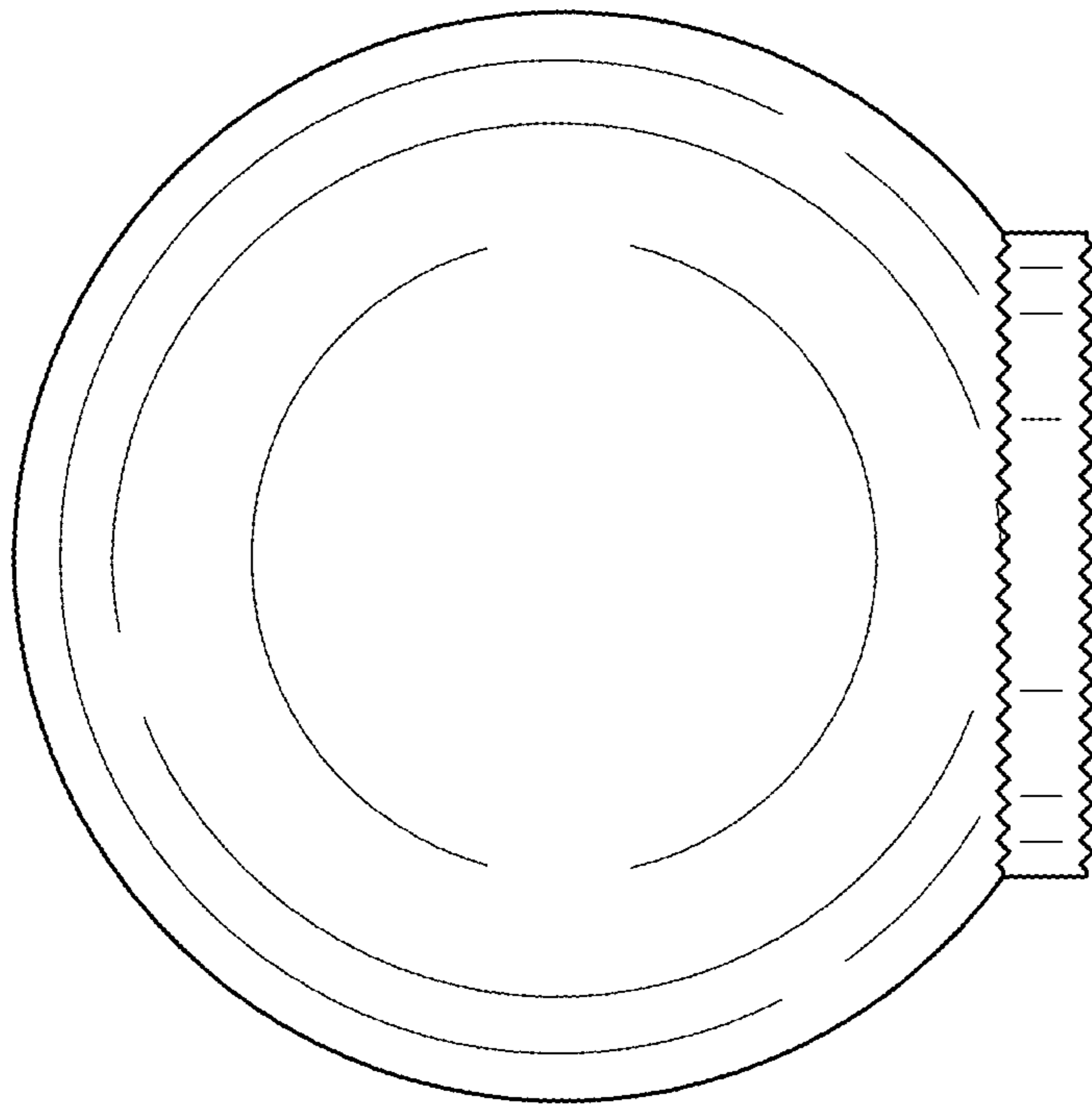


FIG. 2

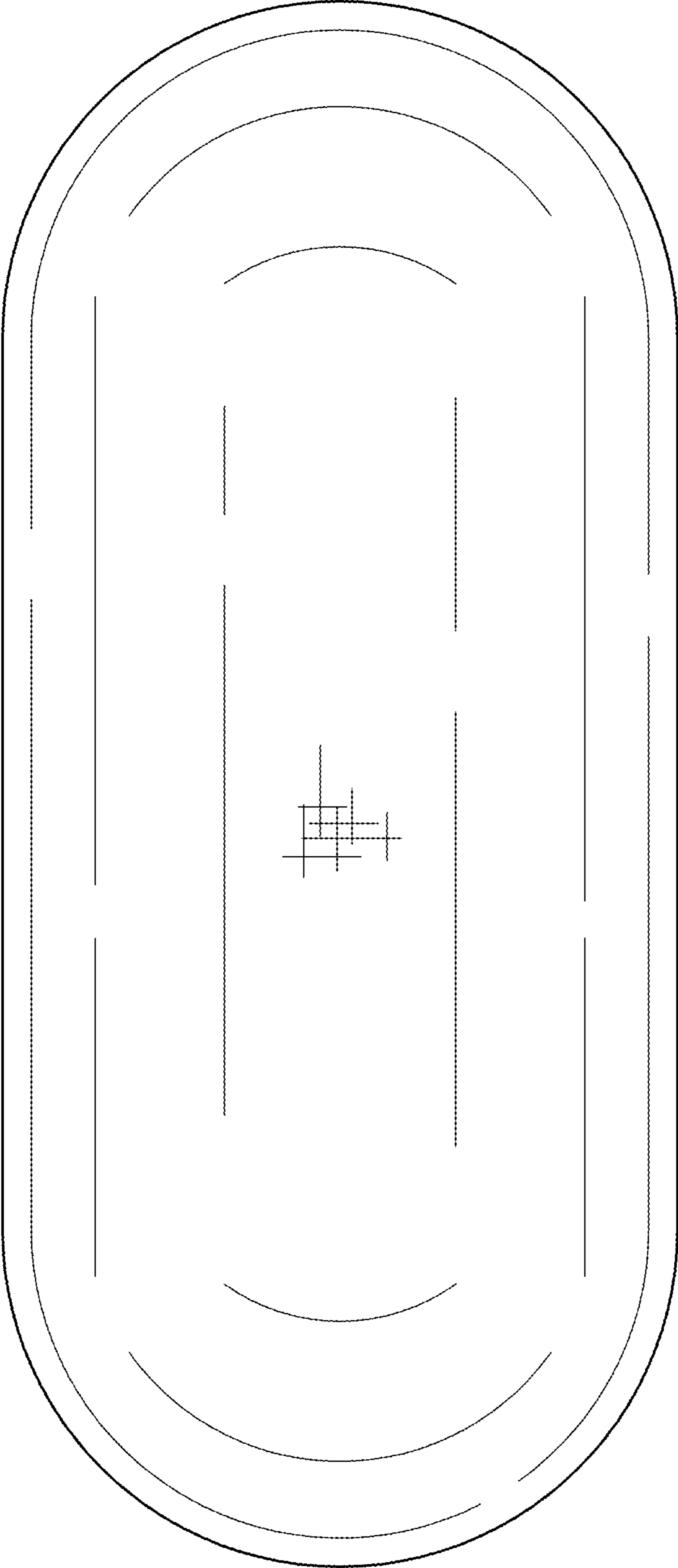


FIG. 3

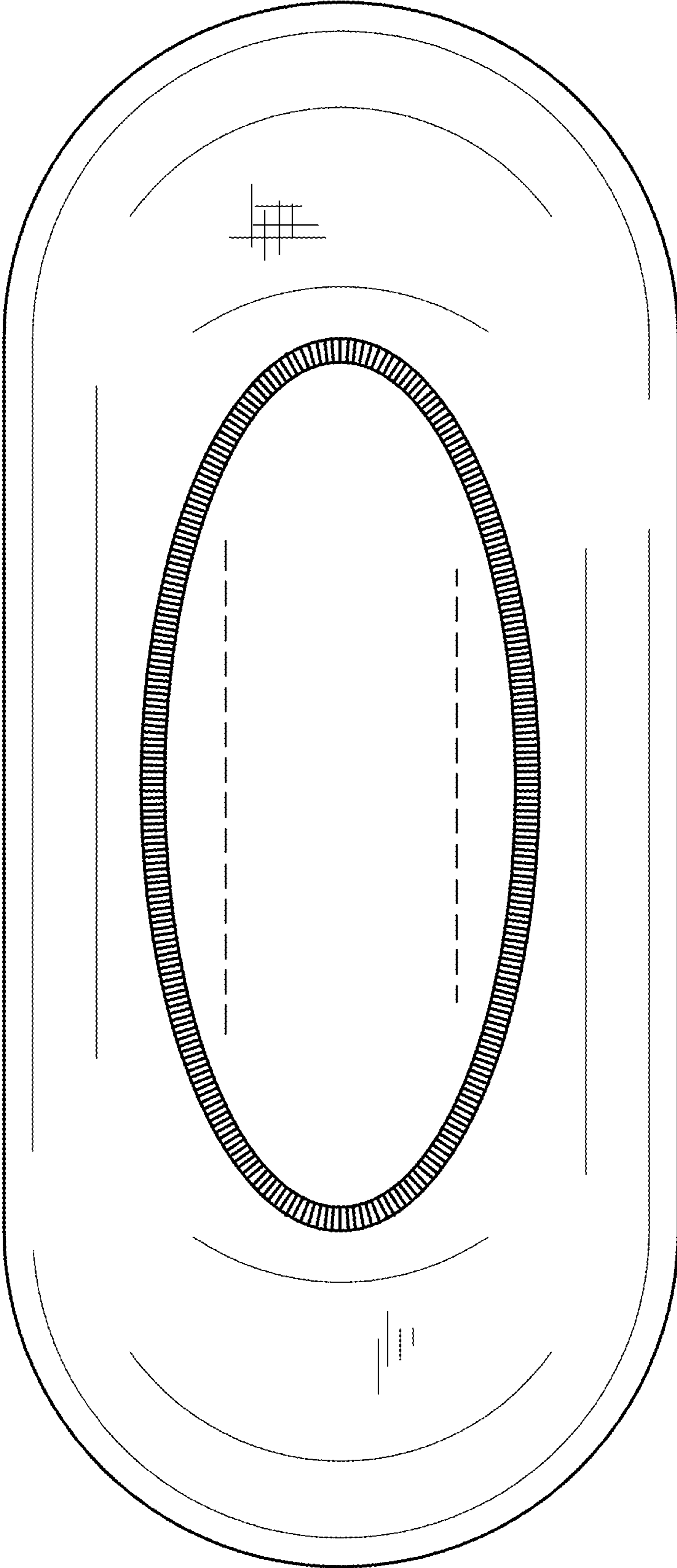


FIG. 4

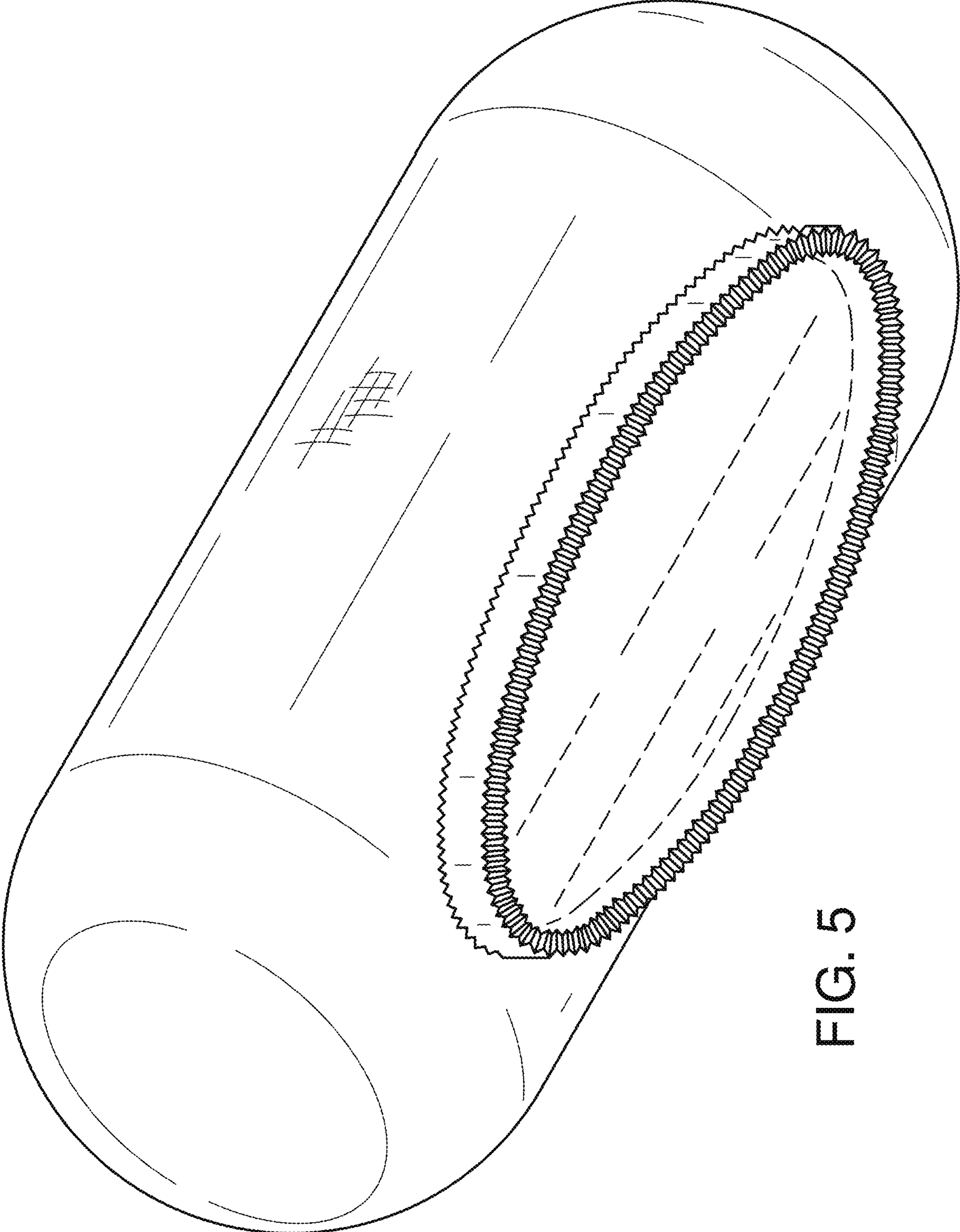


FIG. 5

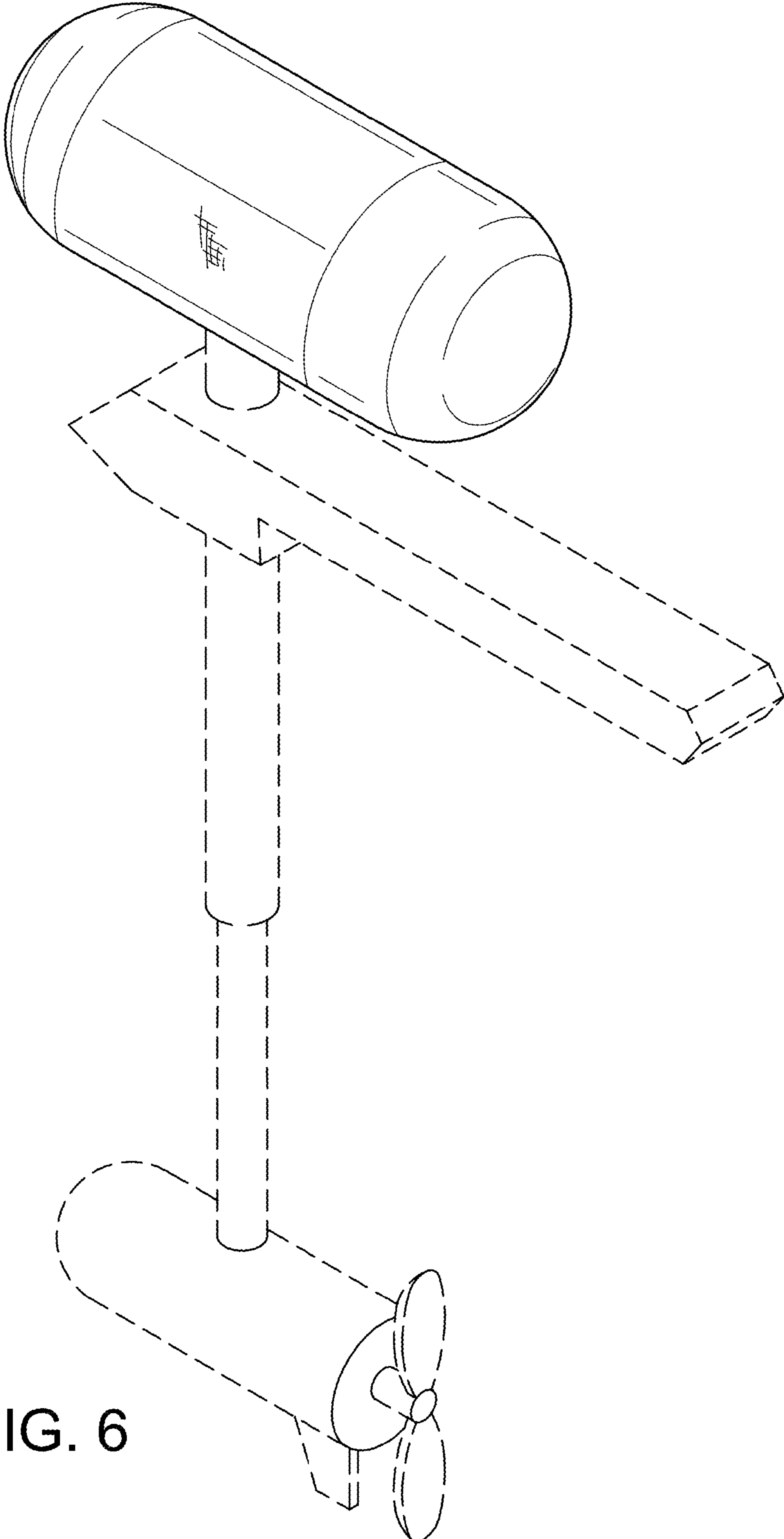


FIG. 6