



US00D918265S

(12) **United States Design Patent**
Guglielmo et al.

(10) **Patent No.:** **US D918,265 S**

(45) **Date of Patent:** **** May 4, 2021**

(54) **THROTTLE**

(71) Applicant: **EControls, LLC**, San Antonio, TX
(US)

(72) Inventors: **Kennon Guglielmo**, San Antonio, TX
(US); **Michael W Walser**, Comfort, TX
(US); **Randall W Walser**, Canadian,
TX (US); **Justin H Sanders**, San
Antonio, TX (US)

(73) Assignee: **EControls, LLC**, San Antonio, TX
(US)

(**) Term: **15 Years**

(21) Appl. No.: **29/638,633**

(22) Filed: **Feb. 28, 2018**

(51) **LOC (13) Cl.** **15-01**

(52) **U.S. Cl.**
USPC **D15/5**

(58) **Field of Classification Search**
USPC D15/1-6
CPC F02M 69/52; F02M 69/043; F02M 69/462;
F02M 69/54; F02M 63/0056; F02M
63/02; F02M 51/005; F02M 51/02; F02M
69/04; F02D 9/1035; F02D 9/105; F02D
11/10

See application file for complete search history.

(56) **References Cited**

U.S. PATENT DOCUMENTS

D681,059 S * 4/2013 Hsu D15/5
2013/0160738 A1 * 6/2013 Cowan F02D 9/105
123/399
2014/0144407 A1 * 5/2014 Khan F02D 9/1035
123/319

2015/0337743 A1 * 11/2015 Cowan F02D 9/08
261/64.2
2015/0337767 A1 * 11/2015 Khan F02D 11/10
261/64.1
2015/0337768 A1 * 11/2015 Khan F02D 9/1035
261/64.1
2016/0377001 A1 * 12/2016 Taylor F02D 9/1035
123/337
2019/0107034 A1 * 4/2019 Hatsuzawa F16C 37/007
2019/0345883 A1 * 11/2019 Bell F02D 9/1035

* cited by examiner

Primary Examiner — Ania Aman

(74) *Attorney, Agent, or Firm* — William H. Quirk; Jesse
L. Frizzell; Rosenthal Pauerstein Sandoloski Agather, LLP

(57) **CLAIM**

We claim the ornamental design for a throttle, substantially
as shown and described.

DESCRIPTION

FIG. 1 is a perspective view of the throttle in accordance
with the present design.

FIG. 2 is a left side elevational view of the throttle of FIG.
1.

FIG. 3 is a top plan view of the throttle of FIG. 1.

FIG. 4 is a bottom plan view of the throttle of FIG. 1.

FIG. 5 is a rear elevational view of the throttle of FIG. 1.

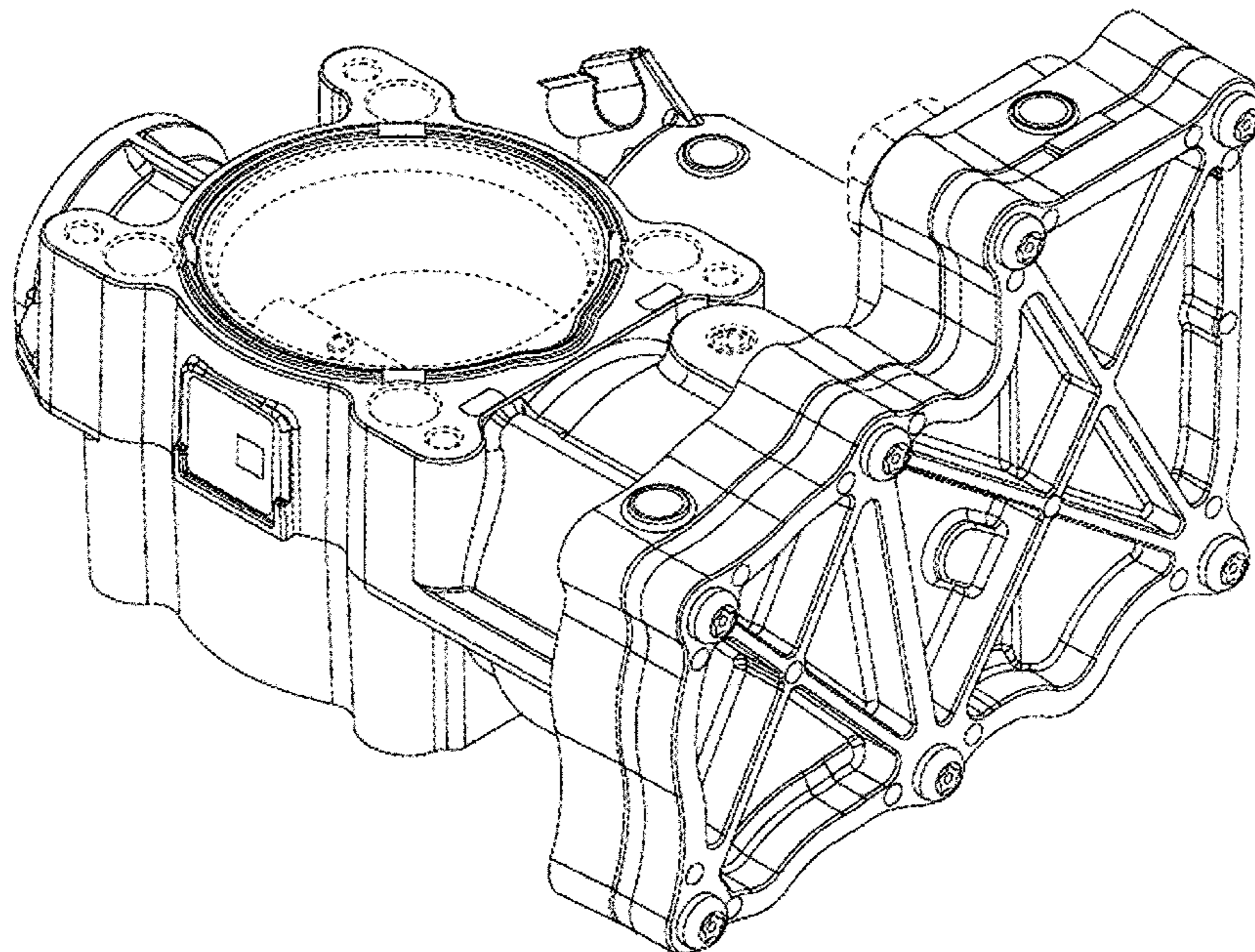
FIG. 6 is a front elevational view of the throttle of FIG. 1;

and,

FIG. 7 is a right side elevational view of the throttle of FIG.
1.

The broken lines shown on the drawing views are for the
purpose of illustrating environmental structure and form no
part of the claimed design.

1 Claim, 7 Drawing Sheets



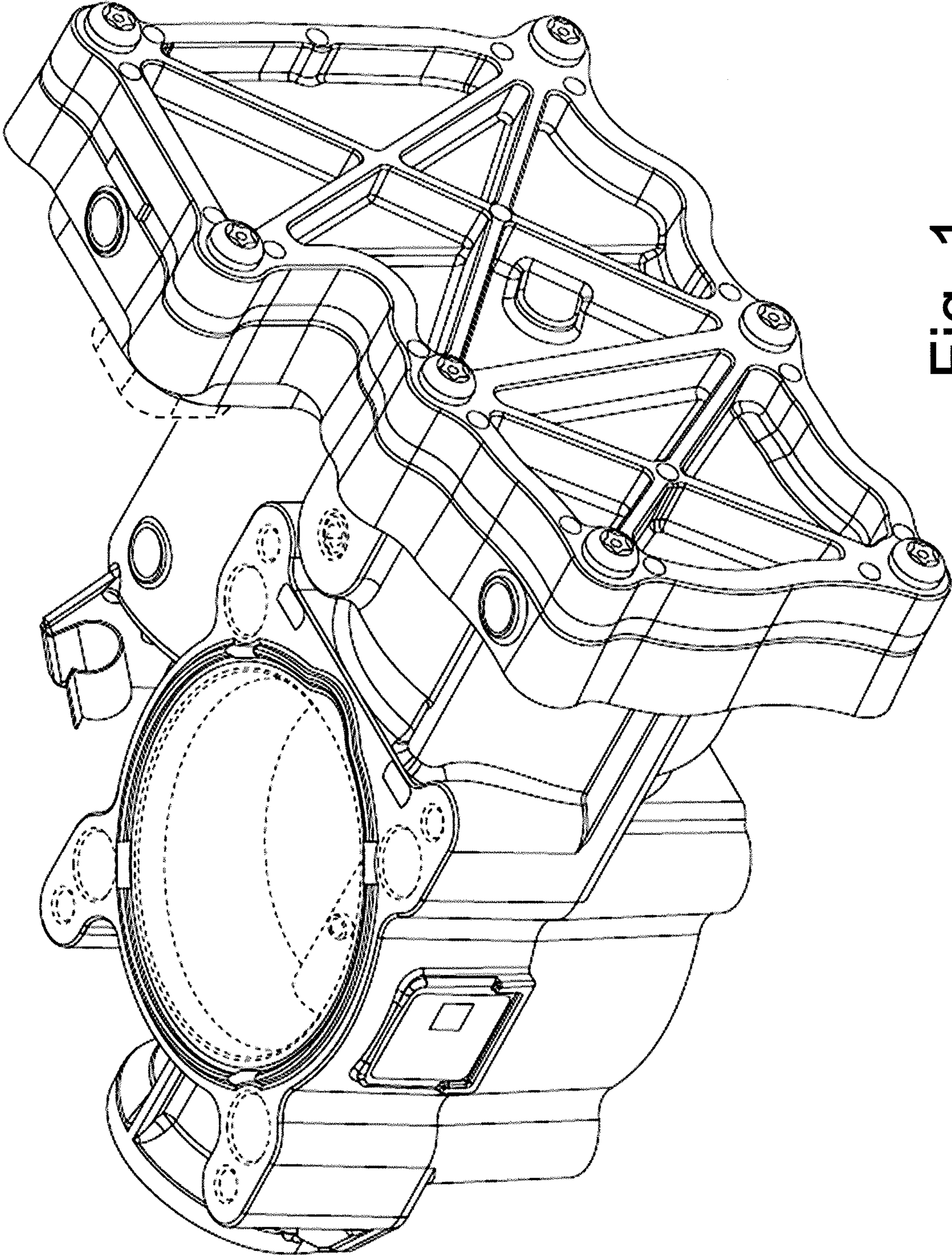


Fig. 1

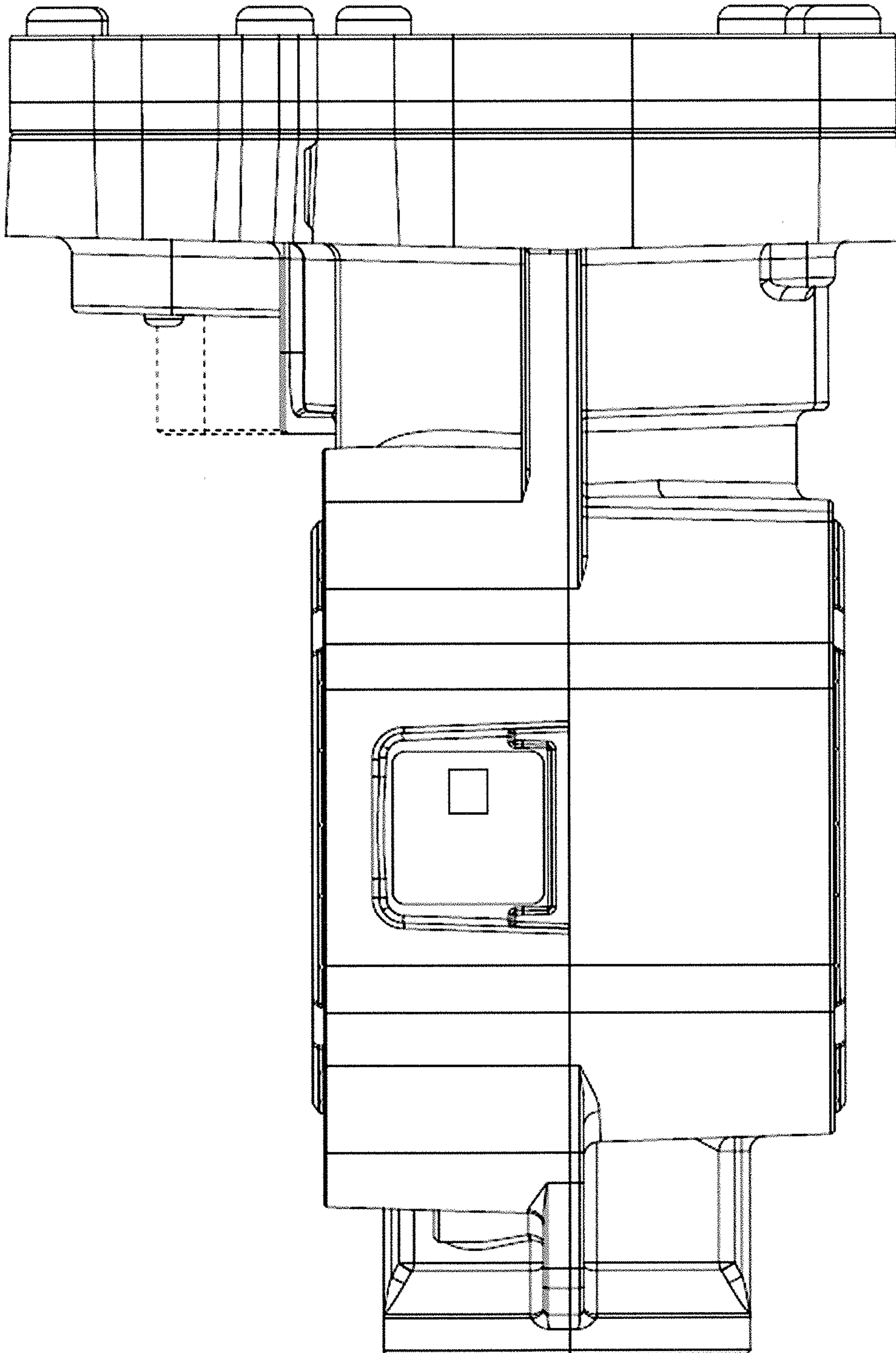


Fig. 2

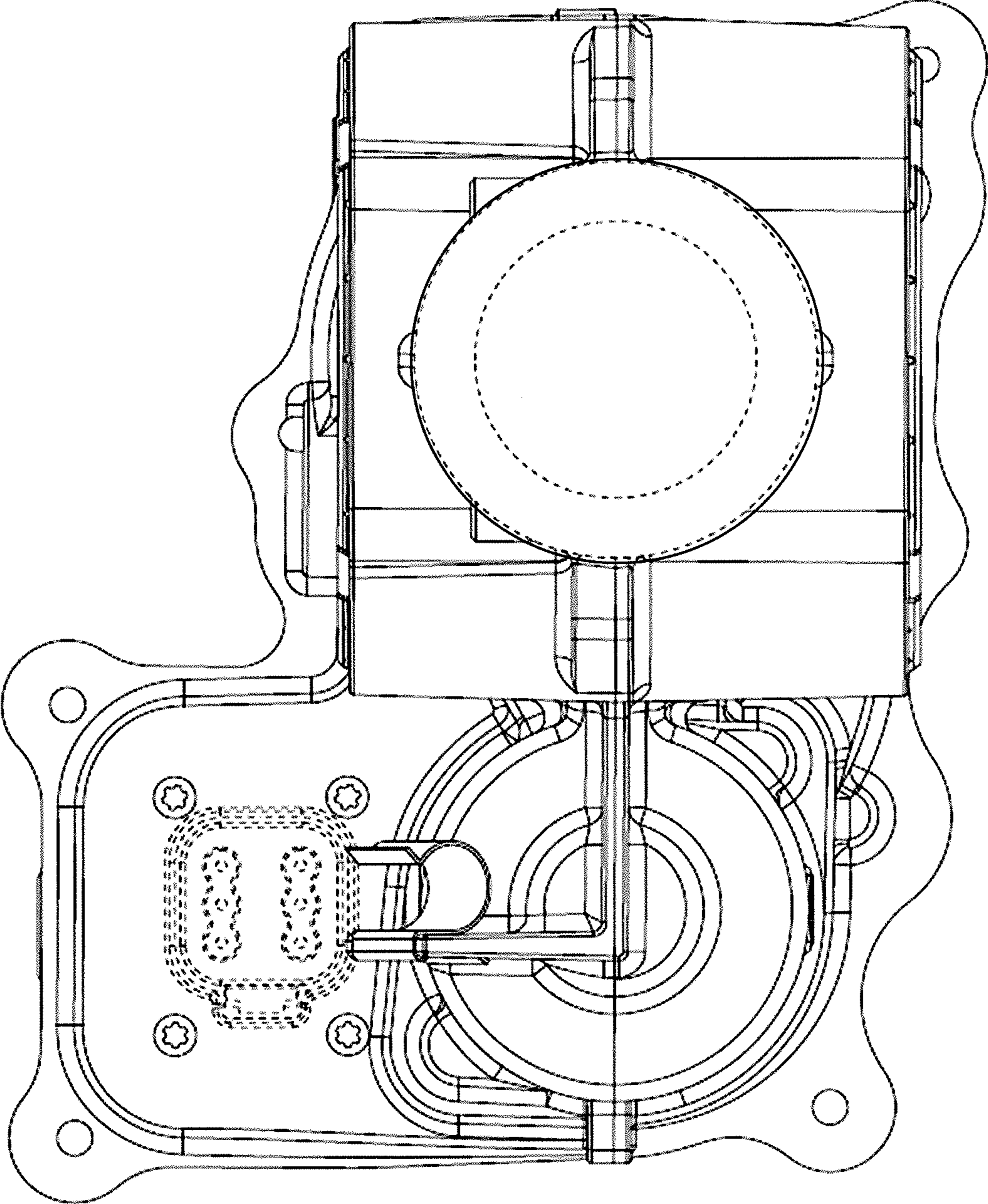


Fig. 3

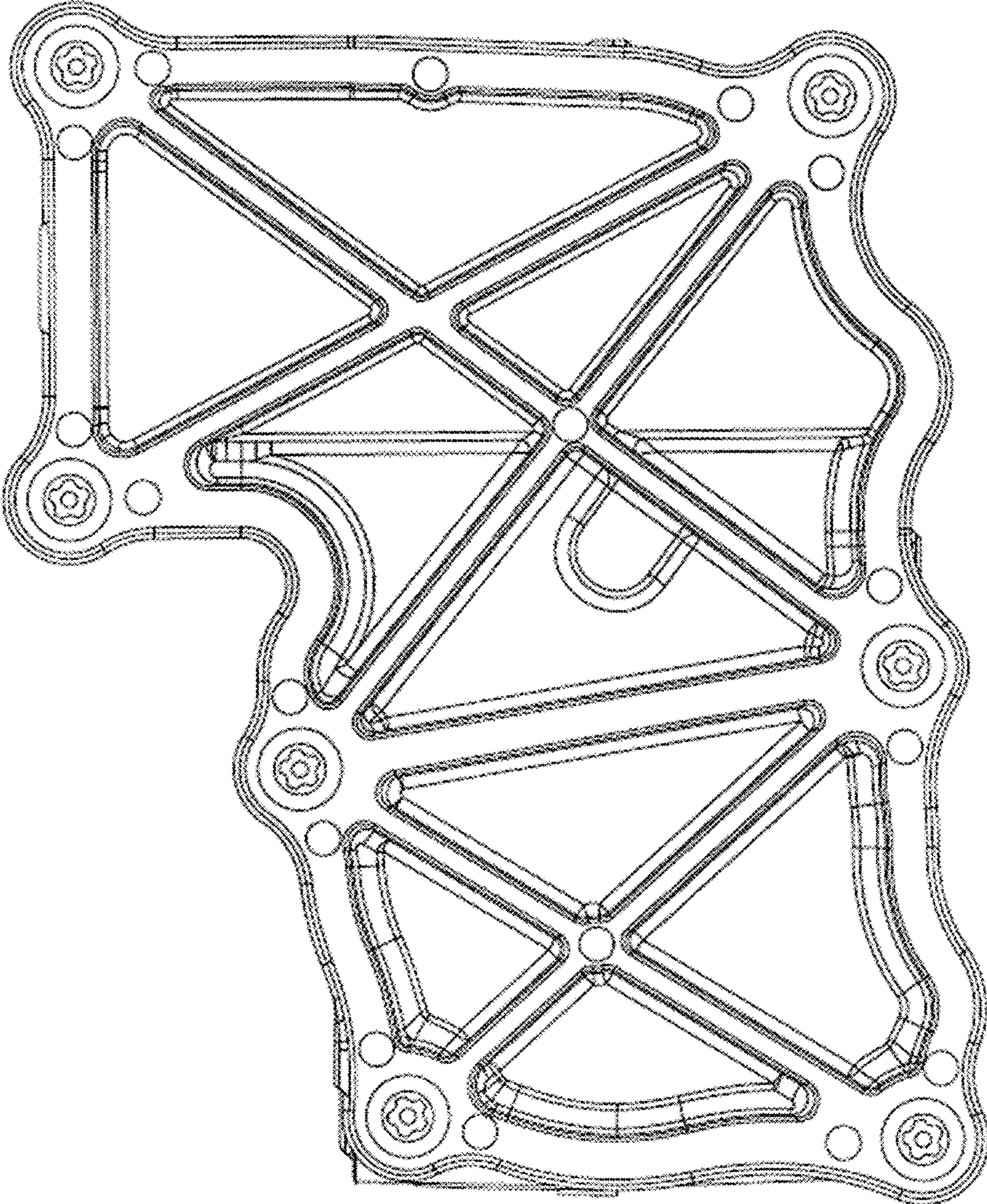


Fig. 4

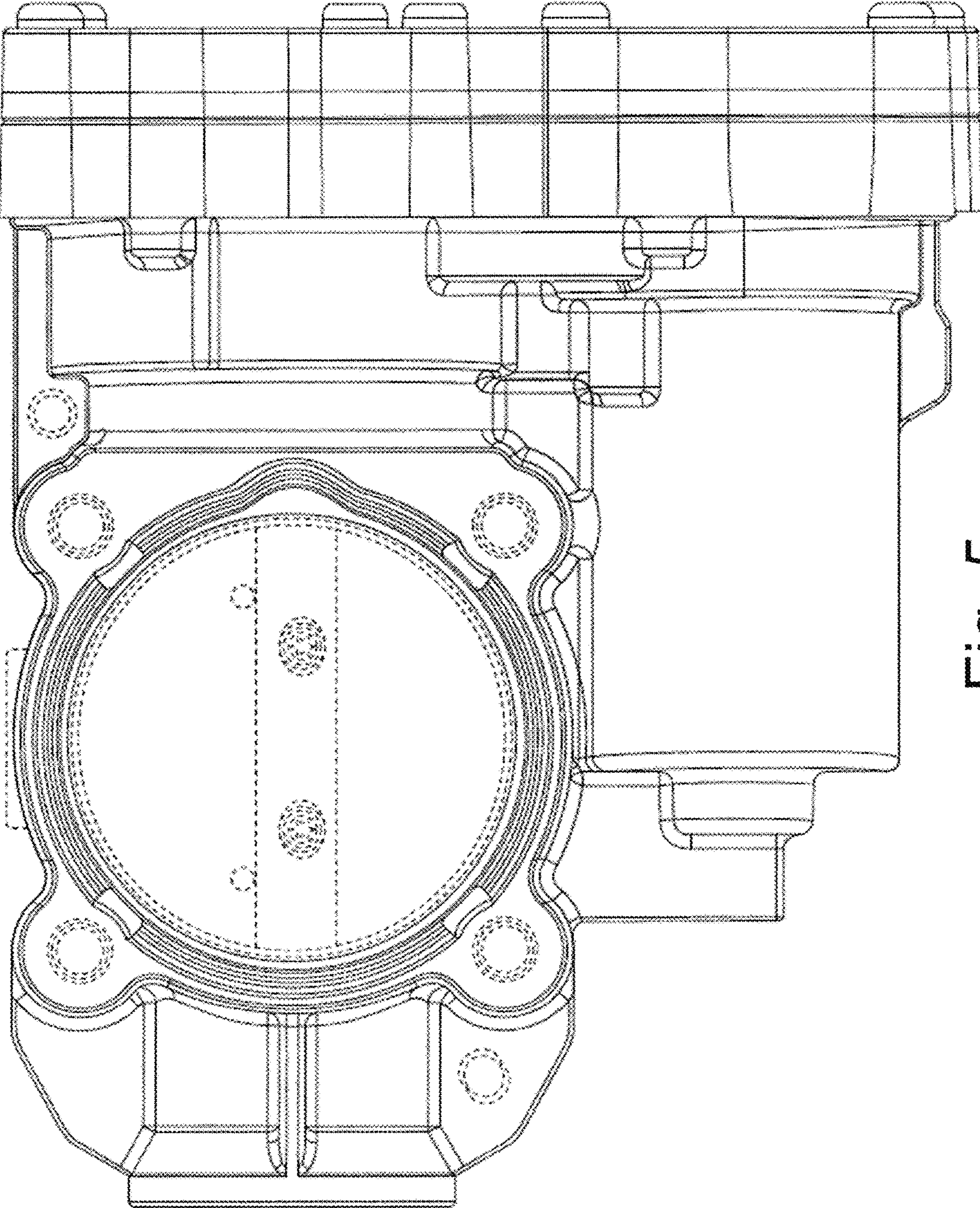


Fig. 5

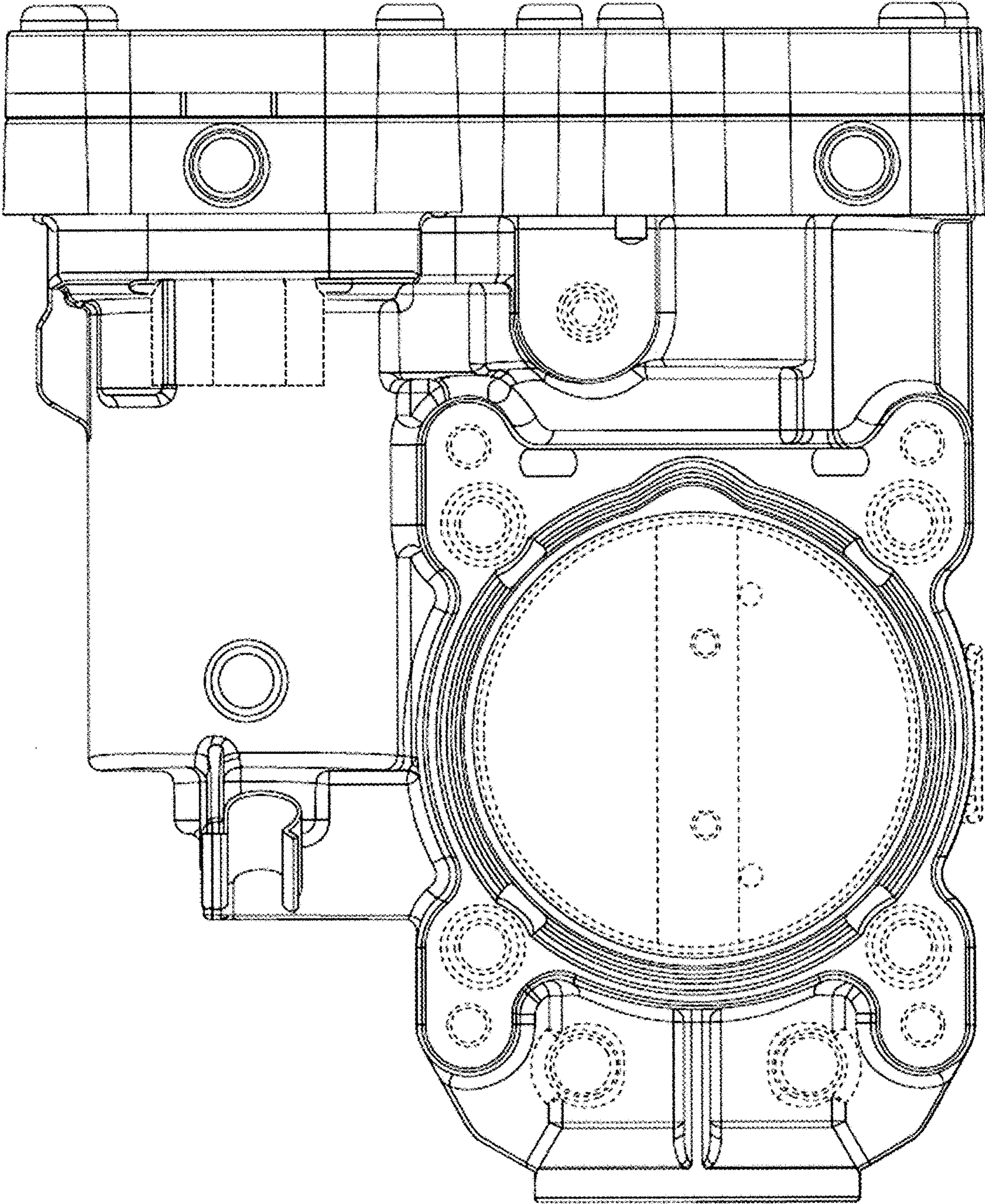


Fig. 6

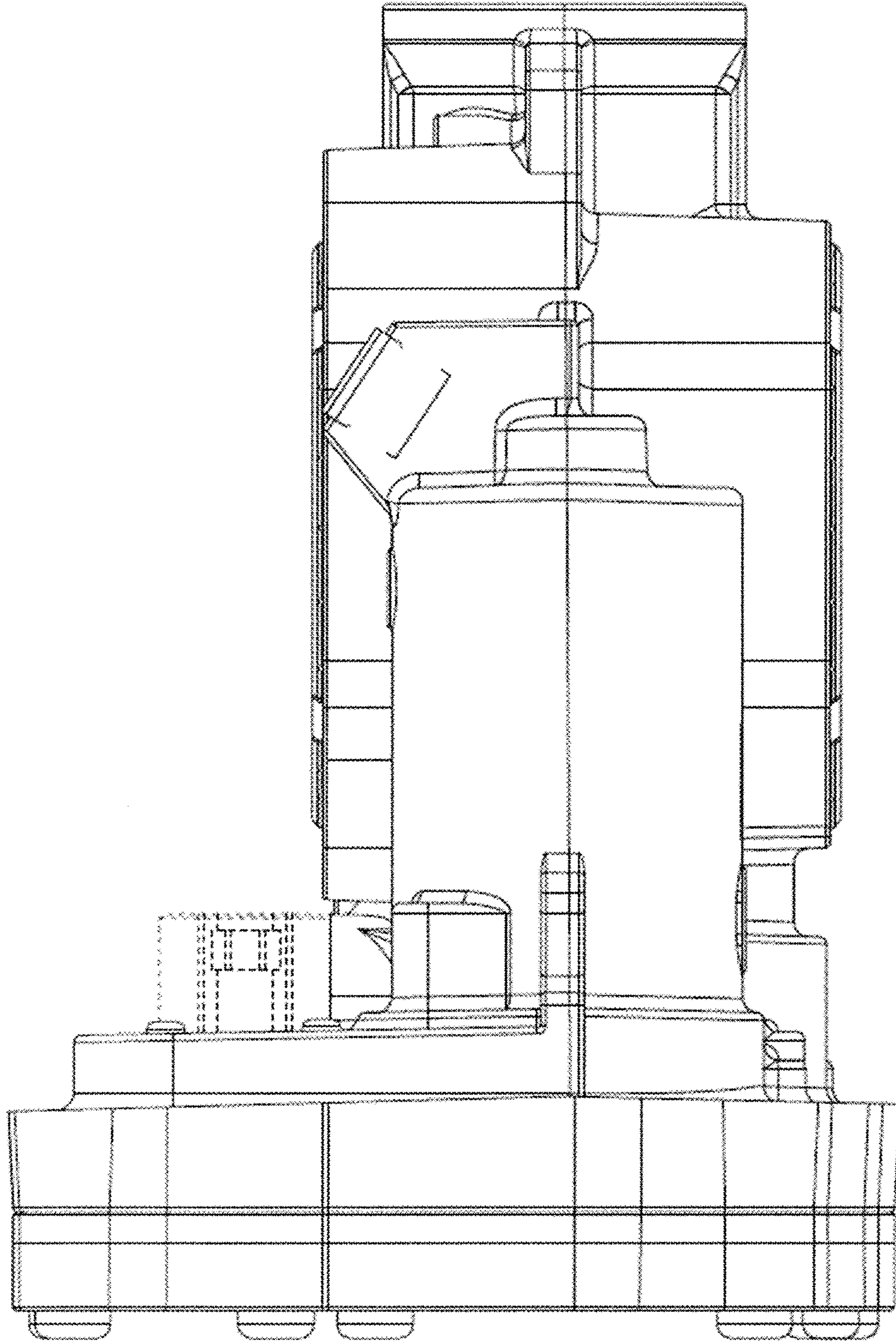


Fig. 7