



US00D918257S

(12) **United States Design Patent** (10) **Patent No.:** **US D918,257 S**
Noon (45) **Date of Patent:** **** *May 4, 2021**

(54) **DISPLAY PANEL OR PORTION THEREOF WITH A GRAPHICAL USER INTERFACE**

(71) Applicant: **MAGIC LEAP, INC.**, Plantation, FL (US)

(72) Inventor: **Alan Noon**, Weston, FL (US)

(73) Assignee: **Magic Leap, Inc.**, Plantation, FL (US)

(*) Notice: This patent is subject to a terminal disclaimer.

(**) Term: **15 Years**

(21) Appl. No.: **29/669,819**

(22) Filed: **Nov. 12, 2018**

(51) **LOC (13) Cl.** **14-04**

(52) **U.S. Cl.**
USPC **D14/489**

(58) **Field of Classification Search**
USPC D14/485–495
CPC G06F 3/048; G06F 3/0481; G06F 3/04817;
G06F 3/0482; G06F 3/0483; G06F
3/04842; G06F 3/0485; G06F 3/04855;
G06F 3/0486; G06F 3/0488; G06F
3/04886; G06F 9/4443; G06F 17/211;
G06F 17/212

See application file for complete search history.

(56) **References Cited**

U.S. PATENT DOCUMENTS

D702,720	S *	4/2014	Abratowski	D14/489
D806,740	S *	1/2018	Sutherland	D14/488
2013/0235069	A1 *	9/2013	Ubillos	G09G 5/026 345/594
2014/0162224	A1 *	6/2014	Wallace	G09B 5/06 434/219
2017/0031350	A1 *	2/2017	Dew	G05B 19/4097

OTHER PUBLICATIONS

“What does the toolbox do?” Jun. 28, 2014, Stack Exchange, site visited Sep. 9, 2020: <https://gaming.stackexchange.com/questions/174120/what-does-the-toolbox-do> (Year: 2014).*

“Lootable object” Jun. 6, 2018, Borderlands Wiki, site visited Sep. 9, 2020: https://borderlands.fandom.com/wiki/Lootable_object?oldid=425331 (Year: 2018).*

Contaldi, Lou, “Rocket League’s Halloween Event Offers Solution to Loot Crate Woes” Oct. 14, 2017, DualSHOCKERS, site visited Sep. 9, 2020: <https://www.dualshockers.com/rocket-league-loot-boxes-crates-free-ps4-pc/> (Year: 2017).*

(Continued)

Primary Examiner — Jack Reickel

(74) *Attorney, Agent, or Firm* — Vista IP Law Group, LLP

(57) **CLAIM**

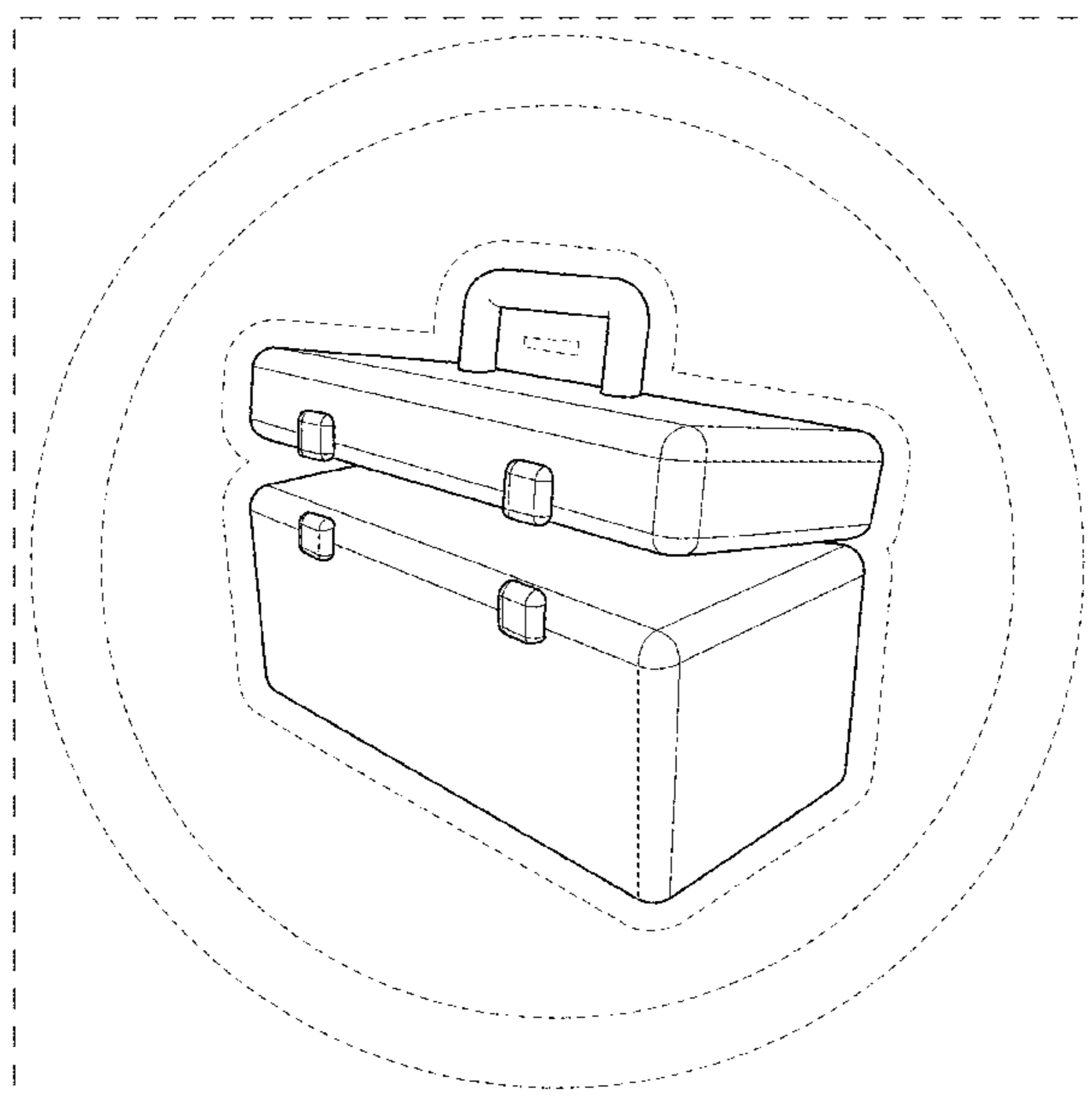
The ornamental design for display panel or portion thereof with a graphical user interface, as shown and described.

DESCRIPTION

The sole FIGURE is a front view of a display panel or portion thereof with a graphical user interface showing a design.

The subject matter of the present disclosure includes graphical user interface components present. The broken lines depicting a display panel or portion thereof are included for the purpose of illustrating environmental structure and form no part of the design. The broken lines depicting portions of a graphical user interface are included for illustrating environmental aspects of a display panel or portion thereof with a graphical user interface and form no part of the design.

1 Claim, 1 Drawing Sheet



(56)

References Cited

OTHER PUBLICATIONS

“Toolbox Sample” Dec. 18, 2018, magic leap developer, site visited Sep. 9, 2020: <https://developer.magicleap.com/en-us/learn/guides/toolbox-sample> (Year: 2018).*

“How Many Items fit in a Minecraft Chest?” Jan. 11, 2018, YouTube, site visited Sep. 9, 2020: <https://www.youtube.com/watch?v=wkj-K3WvPbw> (Year: 2018).*

* cited by examiner

