



US00D918235S

(12) **United States Design Patent** (10) **Patent No.:** **US D918,235 S**
Gil-Arias (45) **Date of Patent:** **** May 4, 2021**

(54) **DISPLAY SCREEN WITH GRAPHICAL USER INTERFACE**

(71) Applicant: **Argus Elevator LLC**, Marietta, GA (US)

(72) Inventor: **Omar Gil-Arias**, Marietta, GA (US)

(73) Assignee: **Argus Elevator LLC**, Marietta, GA (US)

(**) Term: **15 Years**

(21) Appl. No.: **29/664,444**

(22) Filed: **Sep. 25, 2018**

(51) **LOC (13) Cl.** **14-04**

(52) **U.S. Cl.**
USPC **D14/486**

(58) **Field of Classification Search**
USPC D14/485-495; D20/10, 11, 22-33, 39, D20/40; D5/20, 26, 30, 40, 63-65
CPC G06F 3/048-04897; F24F 11/001; F24F 11/008; G05B 15/02; G05D 23/19; B60H 1/00; H04L 12/587; H04L 12/282; H04N 21/488; A63F 2300/308; A63F 13/53; B66B 3/00; B66B 3/002

See application file for complete search history.

(56) **References Cited**

U.S. PATENT DOCUMENTS

D297,243 S * 8/1988 Wells-Papanek D14/487
7,246,329 B1 * 7/2007 Miura G06F 3/0482
715/764
D590,408 S * 4/2009 Evans D14/485
8,479,120 B2 * 7/2013 Nezu G01C 21/3614
715/841
D820,869 S * 6/2018 Kumar D14/486
D847,187 S * 4/2019 Shinozuka D14/486
D853,422 S * 7/2019 Zimmerman D14/486
D878,403 S * 3/2020 Watson D14/486

D879,820 S * 3/2020 Descheneaux D14/486
D885,417 S * 5/2020 Baker D14/486
D886,846 S * 6/2020 Nelson D14/486
D905,740 S * 12/2020 Jang D14/489
2007/0005798 A1 * 1/2007 Gropper G16H 30/20
709/238
2008/0243542 A1 * 10/2008 Hammond G16H 80/00
705/2
2013/0191763 A1 * 7/2013 Jones H04L 67/36
715/753
2020/0095094 A1 * 3/2020 Gil-Arias B66B 13/143

OTHER PUBLICATIONS

Login Page, by Donadio, dribbble.com [online], published on May 12, 2016, [retrieved on Dec. 4, 2020], retrieved from the Internet <URL: https://dribbble.com/shots/2710513-Login-page> (Year: 2016).*
Login Form, by Barsukova, dribbble.com [online], published on Oct. 12, 2013, [retrieved on Dec. 4, 2020], retrieved from the Internet <URL: https://dribbble.com/shots/1269922-Login-Form> (Year: 2013).*

* cited by examiner

Primary Examiner — Ian F Whitmore

(74) Attorney, Agent, or Firm — Taylor English Duma LLP

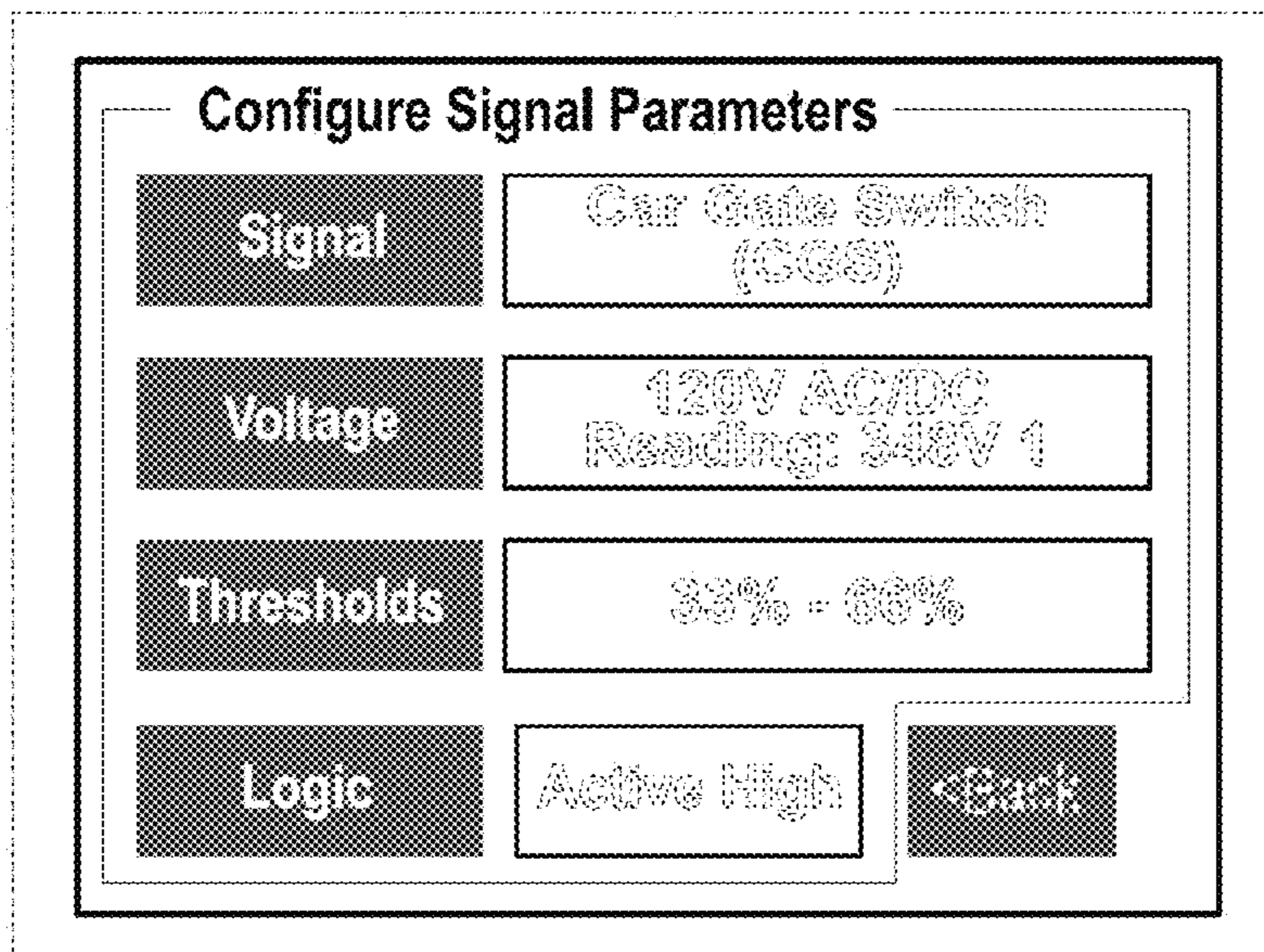
(57) **CLAIM**

What is claimed is the ornamental design for a display screen with graphical user interface, as shown and described.

DESCRIPTION

The FIGURE is a front view of a display screen with graphical user interface showing the new design. The outermost broken-line rectangle illustrates a display screen and forms no part of the claimed design. The remaining broken lines illustrate portions of a graphical user interface and form no part of the claimed design.

1 Claim, 1 Drawing Sheet



Configure Signal Parameters

Signal	Car Gate Switch (CGS)
Voltage	120V AC/DC Reading: 348V 1
Thresholds	33% - 66%
Logic	Active High
	<Back