



US00D918231S

(12) **United States Design Patent** (10) **Patent No.:** **US D918,231 S**  
**Kaminer et al.** (45) **Date of Patent:** **\*\* May 4, 2021**

(54) **DISPLAY SCREEN OR PORTION THEREOF WITH GRAPHICAL USER INTERFACE**

(56) **References Cited**

(71) Applicant: **Delos Living LLC**, New York, NY (US)

(72) Inventors: **Barrett Brod Kaminer**, New York, NY (US); **Max Andrew Pollinger**, New York, NY (US); **Tarynne Blake Lopez**, Cranford, NJ (US); **dingane Richard St Arromand**, New York, NY (US); **Shivaun Ryan**, South Yarra (AU); **Chris David Hall**, Narre Warren South (AU); **Shaun Benson Stewart**, New York, NY (US)

U.S. PATENT DOCUMENTS

2,474,074 A	6/1949	Sunstein
6,023,266 A	2/2000	Eglit
D434,778 S	12/2000	Yee
6,169,540 B1	1/2001	Rosenberg
6,262,724 B1	7/2001	Crow
6,462,759 B1	10/2002	Kurtzberg
6,967,666 B1	11/2005	Koda
D550,227 S	9/2007	Sato
D552,619 S	10/2007	Sato
D552,621 S	10/2007	Sato

(Continued)

OTHER PUBLICATIONS

Sharf, Samantha, "Builder KB Home To Offer 'Wellness' Software As Smart Home Race Heats Up" Jan. 7, 2019, posted at forbes.com, [site visited Dec. 28, 2020]. <https://www.forbes.com/sites/samanthasharf/2019/01/07/builder-kb-home-to-offer-wellness-software-as-smart-home-race-heats-up> (Year: 2019).\*

(Continued)

(73) Assignee: **Delos Living LLC**, New York, NY (US)

(\*\*) Term: **15 Years**

(21) Appl. No.: **29/725,031**

(22) Filed: **Feb. 21, 2020**

**Related U.S. Application Data**

(62) Division of application No. 29/628,138, filed on Dec. 1, 2017.

(51) **LOC (13) Cl.** ..... **14-04**

(52) **U.S. Cl.**  
USPC ..... **D14/485**

(58) **Field of Classification Search**  
USPC ..... D14/485-495; D20/11; D21/324, 325  
CPC .... G06F 3/048; G06F 3/0481; G06F 3/04817;  
G06F 3/0482; G06F 3/0483; G06F 3/04842;  
G06F 3/04847; G06F 3/0485; G06F 3/04855;  
G06F 3/0486; G06F 3/0488; G06F 3/04886; G06F 9/4443;  
G06F 17/211; G06F 17/212; H04N 5/232945;  
A61M 5/3202; G09B 19/0038

See application file for complete search history.

*Primary Examiner* — John M Otte

(74) *Attorney, Agent, or Firm* — Fitch, Even, Tabin & Flannery LLP

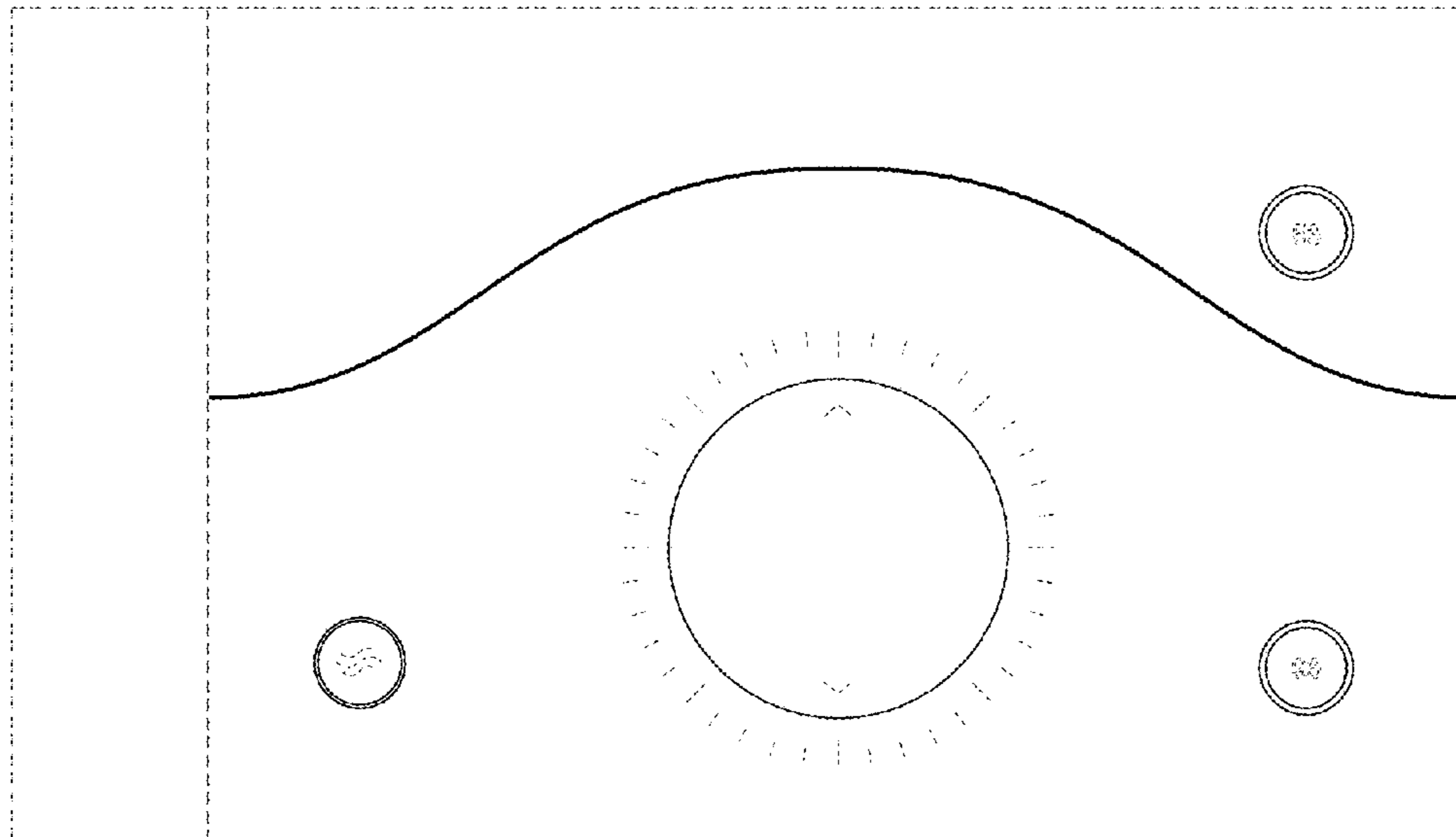
(57) **CLAIM**

The ornamental design for a display screen or portion thereof with graphical user interface, as shown and described.

**DESCRIPTION**

The FIGURE is a front view of a display screen or portion thereof with graphical user interface.  
The broken line showing of a display screen with graphical user interface is included for the purpose of showing portions of the article which form no part of the claim.

**1 Claim, 1 Drawing Sheet**



(56)

References Cited

U.S. PATENT DOCUMENTS

D557,272 S 12/2007 Glaser  
 7,330,875 B1 2/2008 Parasnis  
 D567,249 S 4/2008 Gunn  
 D572,726 S 7/2008 Guimaraes  
 D582,934 S 12/2008 Byeon  
 D654,929 S 2/2012 Morrow  
 D658,203 S 4/2012 Hally  
 8,164,595 B2 4/2012 Yabuki  
 D662,108 S 6/2012 Okumura  
 D665,421 S 8/2012 Morrow  
 8,428,830 B2 4/2013 Diekhans  
 8,472,671 B2 6/2013 Kubota  
 D689,874 S 9/2013 Brinda  
 8,605,094 B1 12/2013 Alfaro  
 D697,937 S 1/2014 Lee  
 D703,693 S 4/2014 Brinda  
 D705,793 S 5/2014 Lee  
 D706,814 S 6/2014 Phelan  
 D709,917 S 7/2014 Faulkner  
 D712,920 S 9/2014 Sloo  
 D717,315 S 11/2014 Varon  
 D717,818 S 11/2014 Varon  
 D725,140 S 3/2015 Izotov  
 D729,834 S 5/2015 Rezende  
 D730,377 S 5/2015 Clare  
 D730,378 S 5/2015 Xiong  
 D736,792 S 8/2015 Brinda  
 D738,889 S 9/2015 Balles  
 D743,992 S 11/2015 Lee  
 D744,516 S 12/2015 Varon  
 D745,879 S 12/2015 Varon  
 D746,856 S 1/2016 Jiang  
 D752,065 S 3/2016 Moon  
 D752,066 S 3/2016 Moon  
 D752,094 S 3/2016 Cornwell  
 D753,152 S 4/2016 Moon  
 D758,448 S 6/2016 Kim  
 D759,689 S 6/2016 Olson  
 9,377,868 B2 6/2016 Jiang  
 D760,769 S 7/2016 Ishii  
 D762,661 S 8/2016 Mushikabe  
 D763,285 S 8/2016 Chan  
 D763,302 S 8/2016 Murillo  
 D764,497 S 8/2016 Seo  
 D764,521 S 8/2016 Murillo  
 D764,529 S 8/2016 Murillo  
 D765,132 S 8/2016 Murillo  
 D766,275 S 9/2016 Balles  
 D766,316 S \* 9/2016 Lee ..... D14/488  
 D767,622 S 9/2016 Lee  
 D768,674 S 10/2016 Hanover  
 D769,299 S 10/2016 Lim  
 D769,900 S 10/2016 Kim  
 D769,929 S 10/2016 Kim  
 D771,110 S 11/2016 Chaudhri  
 D774,053 S 12/2016 Kim  
 D774,080 S 12/2016 Yoo  
 D776,709 S 1/2017 Jung  
 D777,180 S 1/2017 Kim  
 9,547,425 B2 1/2017 Wilson  
 D780,774 S 3/2017 Lee  
 D781,881 S 3/2017 Cornell  
 D782,521 S 3/2017 Pilch  
 D786,894 S 5/2017 Kim  
 D786,919 S 5/2017 Bae  
 D788,808 S 6/2017 Chaudhri  
 D789,968 S 6/2017 Mensinger  
 D796,533 S 9/2017 Lee  
 D805,539 S 12/2017 Kim  
 D806,091 S 12/2017 Weaver  
 D806,742 S 1/2018 Choi  
 D807,381 S 1/2018 Hersh  
 D808,407 S 1/2018 Ross  
 D810,766 S 2/2018 Ross  
 D811,418 S 2/2018 Sun

D812,082 S 3/2018 Felt  
 D813,251 S 3/2018 Basu  
 D816,678 S 5/2018 Felt  
 D819,065 S \* 5/2018 Xie ..... D14/486  
 D820,295 S 6/2018 Wu  
 D824,920 S 8/2018 Jung  
 D828,364 S 9/2018 Felt  
 D828,854 S 9/2018 Lucas  
 D835,658 S 12/2018 Chan  
 D839,294 S 1/2019 Mazlish  
 D846,560 S 4/2019 Ekstrand  
 D846,569 S 4/2019 Ekstrand  
 D846,570 S 4/2019 Ekstrand  
 D846,573 S 4/2019 Ekstrand  
 D846,574 S 4/2019 Ekstrand  
 1,027,626 A1 4/2019 Reicher  
 D851,098 S 6/2019 Uppala  
 D852,837 S 7/2019 Mazlish  
 D854,552 S 7/2019 Krieter  
 D854,572 S 7/2019 Naimark  
 D856,357 S 8/2019 Naimark  
 D857,734 S 8/2019 Chaudhri  
 D859,460 S 9/2019 Kaminer  
 D860,222 S 9/2019 Cen  
 D862,490 S 10/2019 Huang  
 D863,322 S \* 10/2019 Freilafert ..... D14/485  
 10,426,896 B2 \* 10/2019 Desborough ..... A61M 5/3202  
 10,496,259 B2 \* 12/2019 Wilson ..... G06F 3/04847  
 D873,275 S \* 1/2020 Kwon ..... D14/485  
 D875,136 S 2/2020 Naimark et al.  
 D877,193 S 3/2020 Li et al.  
 D881,943 S \* 4/2020 Lee ..... D14/492  
 D884,016 S 5/2020 Chan  
 D886,137 S 6/2020 Kaminer  
 2002/0099730 A1 7/2002 Brown  
 2003/0112262 A1 6/2003 Adatia  
 2004/0141003 A1 7/2004 Nivers  
 2008/0250341 A1 10/2008 Dlugos  
 2010/0042447 A1 2/2010 Cantor  
 2010/0146424 A1 6/2010 Chihara  
 2010/0235144 A1 9/2010 Mosberger-Tang  
 2011/0041059 A1 2/2011 Amarasingham  
 2013/0067382 A1 3/2013 Townsend  
 2013/0107103 A1 \* 5/2013 Kato ..... H04N 5/232945  
 348/333.12  
 2013/0227433 A1 8/2013 Doray  
 2013/0239057 A1 9/2013 Ubillos  
 2013/0314364 A1 \* 11/2013 Nicholson ..... G06F 3/04842  
 345/174  
 2015/0058427 A1 2/2015 Grignon  
 2015/0062052 A1 3/2015 Bernstein  
 2016/0034133 A1 2/2016 Wilson  
 2016/0034148 A1 2/2016 Wilson  
 2016/0034152 A1 2/2016 Wilson  
 2016/0034166 A1 2/2016 Wilson  
 2016/0034167 A1 2/2016 Wilson  
 2016/0246373 A1 8/2016 Sakaguchi  
 2017/0294136 A1 \* 10/2017 Sada ..... G09B 19/0038  
 2017/0357426 A1 12/2017 Wilson  
 2018/0136802 A1 5/2018 Soni  
 2018/0338035 A1 11/2018 Johnson  
 2020/0341553 A1 \* 10/2020 Moussette ..... G06F 3/04847

OTHER PUBLICATIONS

Walz, Alex, "Customer Sentiment Measurement: Activate the Silent Majority" May 10, 2016, posted at apptentive.com, [site visited Dec. 28, 2020]. <https://www.apptentive.com/blog/2016/05/10/customer-satisfaction-measurement> (Year: 2016).  
 Design U.S. Appl. No. 29/628,143, filed Dec. 1, 2017, entitled "Display Screen or Portion Thereof with Graphical User Interface."  
 Design U.S. Appl. No. 29/628,153, filed Dec. 1, 2017, entitled "Display Screen or Portion Thereof with Animated Graphical User Interface."  
 Design U.S. Appl. No. 29/734,863, filed May 15, 2020, entitled "Display Screen or Portion Thereof with Animated Graphical User Interface."



(56)

**References Cited**

## OTHER PUBLICATIONS

“2-D line gradient color in Matlab” Feb. 13, 2017, posted at stackoverflow.com, [site visited Dec. 20, 2018]. <<https://web.archive.org/web/20170213071043/https://stackoverflow.com/questions/42174917/2-d-line-gradient-color-in-matlab>>, 2 pages.

“Alcohol” May 11, 2016, posted at middlebury.edu, [site visited Dec. 20, 2018]. <<https://web.archive.org/web/20160511020913/http://www.middlebury.edu/student-life/health-wellness-education-and-safety/education/alcohol>>, 2 pages.

“Create Gradient from Image application” Jun. 1, 2013, posted at gimpchat.com, [site visited Dec. 21, 2018]. <<https://gimpchat.com/viewtopic.php?f=12&t=7397&start=0>>, 1 page.

“Figure 3” Jan. 2013, posted at researchgate.net, [site visited Dec. 20, 2018]. <[https://www.researchgate.net/figure/The-effect-of-magnetic-materials-on-a-a-uniform-magnetic-field-Diamagnetic-materials\\_fig2\\_311517013](https://www.researchgate.net/figure/The-effect-of-magnetic-materials-on-a-a-uniform-magnetic-field-Diamagnetic-materials_fig2_311517013)>.

File:Circle cos sin.gif May 26, 2017, posted at commons.wikimedia.org.com, [site visited Apr. 11, 2019]. [https://commons.wikimedia.org/wiki/File:Circle\\_cos\\_sin.gif](https://commons.wikimedia.org/wiki/File:Circle_cos_sin.gif).

“Gradient Outlines in PowerPoint 2016 for Windows” Jun. 23, 2016, posted at indezine.com, [site visited Apr. 30, 2019]. <https://www.indezine.com/products/powerpoint/learn/fillslinesandeffects/2016/gradient-outline.html>.

“Graffiti in Photoshop” Jan. 7, 2002, posted at photoshopcafe.com, [site visited Apr. 30, 2019]. <https://web.archive.org/web/20020107235820/https://photoshopcafe.com/tutorials/graffiti/graffiti.htm>.

“Introducing Darwin the World’s First Home Wellness Intelligence platform that aims to improve human health, wellbeing and performance.” reported to be published on Aug. 1, 2018, posted at delos.com.au, [site visited Mar. 1, 2019]. <http://delos.com.au>.

“Introducing Darwin the World’s First Home Wellness Intelligence platform that aims to improve human health, wellbeing and performance.” reported to be published on Aug. 1, 2018, posted at delos.com.au, [site visited Feb. 28, 2019]. <http://delos.com.au>.

“Lines wraps around circles—Illustration” Jul. 17, 2016, posted at istockphoto.com, [site visited Mar. 1, 2019]. <https://www.istockphoto.com/vector/lines-wraps-around-circles-gm545998832-98545101>.

“Mathematics” Aug. 29, 2016, posted at math.stackexchange.com, [site visited Mar. 1, 2019]. <https://web.archive.org/web/20160829153553/https://math.stackexchange.com/questions/1712263/radius-of-a-largest-circle-inscribed-under-y-frac-1-1-x-2n-closed-form>.

“Polaire anime.gif” Mar. 3, 2017, posted at mathcurve.com, [site visited Apr. 11, 2019]. <https://www.mathcurve.com/courbes2d.gb/polaire/polaire%20anime.gif>.

“Single eye icon image” Mar. 7, 2017, posted at depositphotos.com, [site visited Mar. 13, 2020]. <https://depositphotos.com/144769389/stock-illustration-single-eye-icon-image.html> (Year: 2017).

“Village Eye Associates LLC” Oct. 12, 2016, posted at villageeye.com, [site visited Mar. 13, 2020]. <https://web.archive.org/web/20161012122811/https://www.villageeye.com> (Year: 2016).

“Whole Plant CBD More Effective Than Pure CBD?” Jun. 28, 2016, posted at cornerstonecollective.com, [site visited Dec. 20, 2018]. <<https://web.archive.org/web/20160628184803/https://cornerstonecollective.com/whole-plant-cbd-more-effective-than-pure-cbd>>, 1 page.

Acton, Emma, “2 Dimensional Shapes” Jan. 1, 2014, posted at slideshare.net, [site visited Dec. 20, 2018]. <https://www.slideshare.net/ozgal78/emma-acton-9955186-assessment-two-maths-in-the-primary-classroom-powerpoint-presentation-tp-3-2013>.

Knudson, Kevin, “The Days Are Getting Longer In A Hurry—Calculus Explains Why” Mar. 4, 2016, posted at forbes.com, [site visited Dec. 20, 2018]. <<https://www.forbes.com/sites/kevinknudson/2016/03/04/the-days-are-getting-longer-in-a-hurry-calculus-explains-why/#43d4047c50f0>>.

Trademark Serial No. 86897483, May 10, 2016 (publication date), NBCUniversal Media, LLC (applicant), Trademark Electronic Service System (TESS), (Year: 2016).

Walz, Alex, “Customer Sentiment Measurement: Activate the Silent Majority” May 10, 2016, posted at apptentive.com, [site visited Feb. 28, 2019]. <https://www.apptentive.com/blog/2016/05/10/customer-satisfaction-measurement>.

\* cited by examiner

