



US00D918230S

(12) **United States Design Patent**
Lee et al.

(10) **Patent No.:** **US D918,230 S**
(45) **Date of Patent:** **** May 4, 2021**

(54) **DISPLAY SCREEN OR PORTION THEREOF WITH TRANSITIONAL GRAPHICAL USER INTERFACE**

D805,548 S 12/2017 King et al.
D806,114 S * 12/2017 Kim D14/488
D836,134 S * 12/2018 Hong D14/492

(Continued)

(71) Applicant: **Samsung Electronics Co., Ltd.**,
Suwon-si (KR)

FOREIGN PATENT DOCUMENTS

(72) Inventors: **Yongkoo Lee**, Suwon-si (KR);
Minwook Na, Suwon-si (KR); **Jihyun Ahn**, Suwon-si (KR)

EM 001294268-0001 10/2011
EM 002967786-0003 2/2016

(Continued)

(73) Assignee: **SAMSUNG ELECTRONICS CO., LTD.**, Suwon-si (KR)

Primary Examiner — Melanie H Tung
Assistant Examiner — Darmawan Truong

(74) *Attorney, Agent, or Firm* — McAndrews Held & Malloy, Ltd.

(**) Term: **15 Years**

(21) Appl. No.: **29/713,223**

(57) **CLAIM**

(22) Filed: **Nov. 14, 2019**

The ornamental design for a display screen or portion thereof with transitional graphical user interface, as shown and described.

(30) **Foreign Application Priority Data**

DESCRIPTION

Jul. 31, 2019 (KR) 30-2019-0036631

(51) **LOC (13) Cl.** **14-04**

(52) **U.S. Cl.**
USPC **D14/485**; D14/488

(58) **Field of Classification Search**
USPC D14/485–95
CPC G06F 3/48; G06F 3/0481; G06F 3/04812;
G06F 3/04815; G06F 3/04817; G06F 3/0482;
G06F 3/0483; G06F 3/0484; G06F 3/04847;
G06F 3/0488; G06F 3/04883

See application file for complete search history.

FIG. 1 is the first image in a sequence for a display screen or portion thereof with transitional graphical user interface showing our new design;
FIG. 2 is the second image thereof;
FIG. 3 is the third image thereof;
FIG. 4 is the fourth image thereof;
FIG. 5 is the fifth image thereof;
FIG. 6 is the sixth image thereof; and,
FIG. 7 is the seventh image thereof.

The outer perimeter shown in broken line in the drawings illustrates a display screen or portion thereof and forms no part of the claimed design. The remaining broken lines in the drawings illustrate portions of the transitional graphical user interface that form no part of the claimed design.

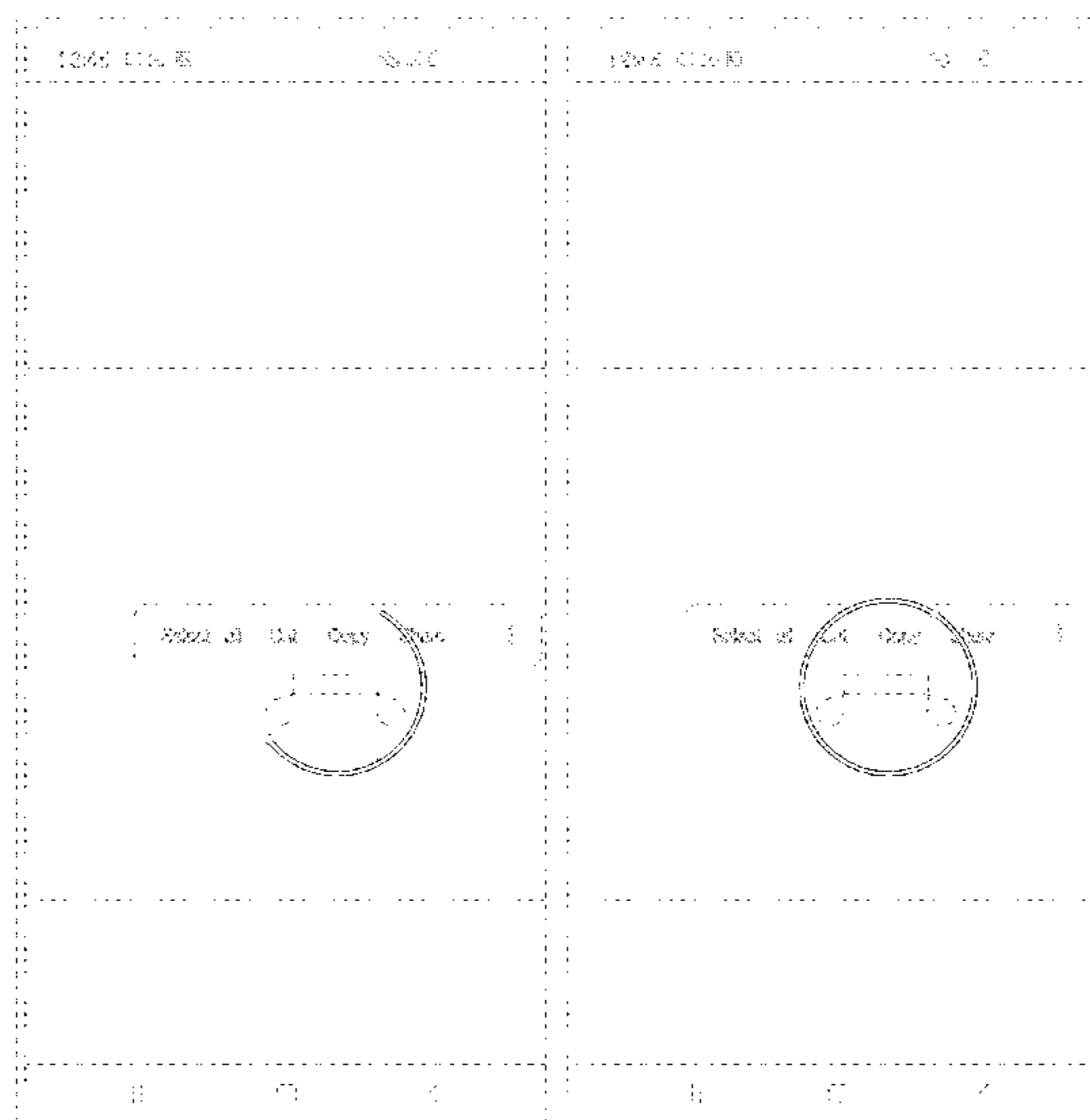
The appearance of the transitional graphical user interface sequentially transitions between the images shown in FIGS. 1-7. The process or period in which one image transitions to another image forms no part of the claimed design.

(56) **References Cited**

U.S. PATENT DOCUMENTS

D669,497 S 10/2012 Lee et al.
D771,076 S 11/2016 Butcher et al.
D786,932 S * 5/2017 Kim D14/495
D803,233 S 11/2017 Wilberding
D804,522 S * 12/2017 Sachtleben D14/488

1 Claim, 7 Drawing Sheets



(56)

References Cited

U.S. PATENT DOCUMENTS

D837,814	S	*	1/2019	Lamperti	D14/486
D845,977	S	*	4/2019	Mok	D14/486
D864,991	S	*	10/2019	Seo	D14/488
D866,584	S	*	11/2019	Burroughs	D14/486
D870,141	S	*	12/2019	Bowden	D14/488
D873,850	S	*	1/2020	Mu	D14/488
D875,114	S	*	2/2020	Clediere	D14/485
D875,132	S	*	2/2020	Wang	D14/488
D875,133	S	*	2/2020	Wang	D14/488
D875,757	S	*	2/2020	Feng	D14/486
D882,626	S	*	4/2020	Yan	D14/488
D884,007	S	*	5/2020	Uppala	D14/486
D886,148	S	*	6/2020	Lepine	D14/486
D887,436	S	*	6/2020	Crandall	D14/486
D893,528	S	*	8/2020	Wang	D14/486
D901,520	S	*	11/2020	Gangcuangco	D14/485
D903,694	S	*	12/2020	Elgena	D14/485

FOREIGN PATENT DOCUMENTS

WO	DM 094077	1/2017
WO	DM 095452	4/2017

* cited by examiner

FIG. 1

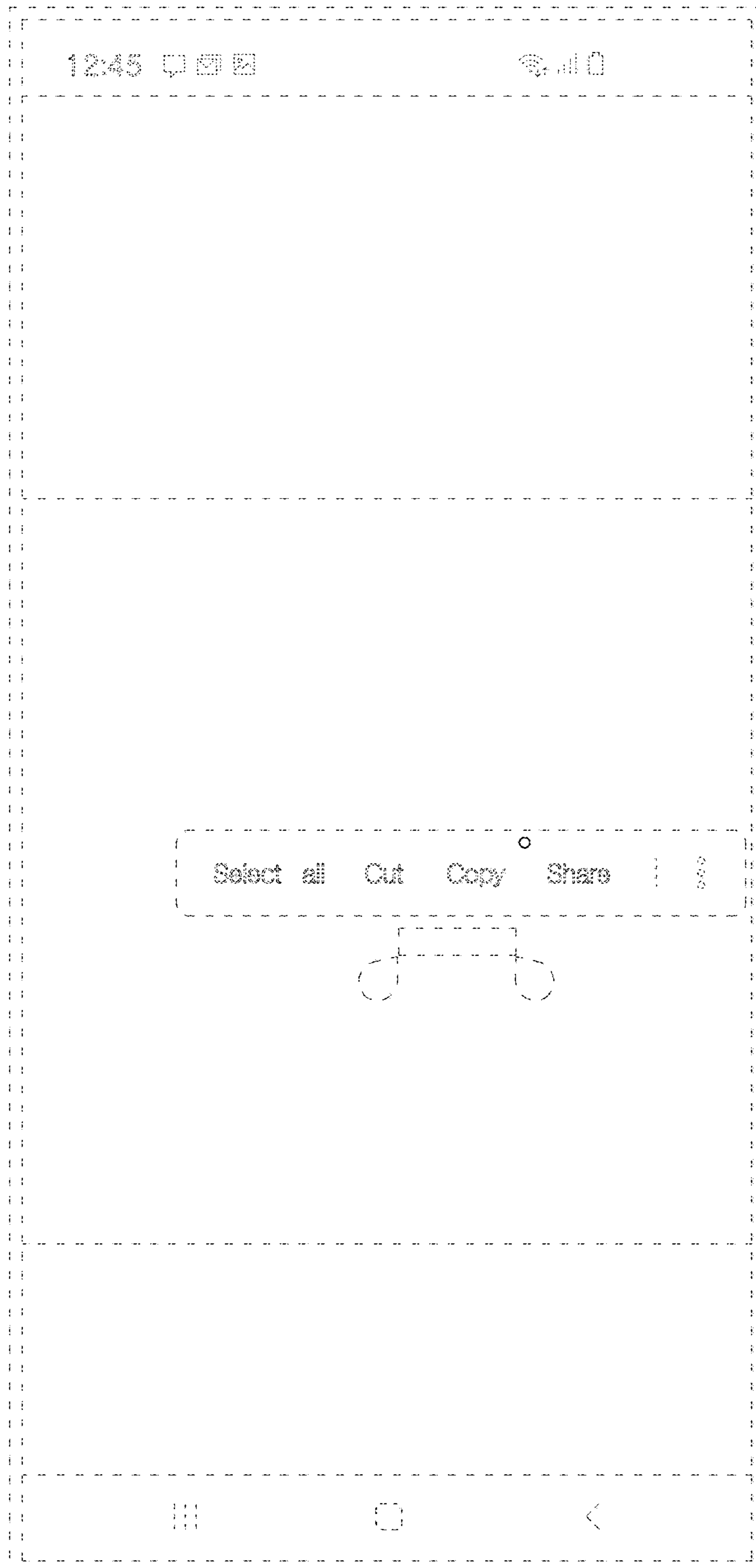


FIG. 2

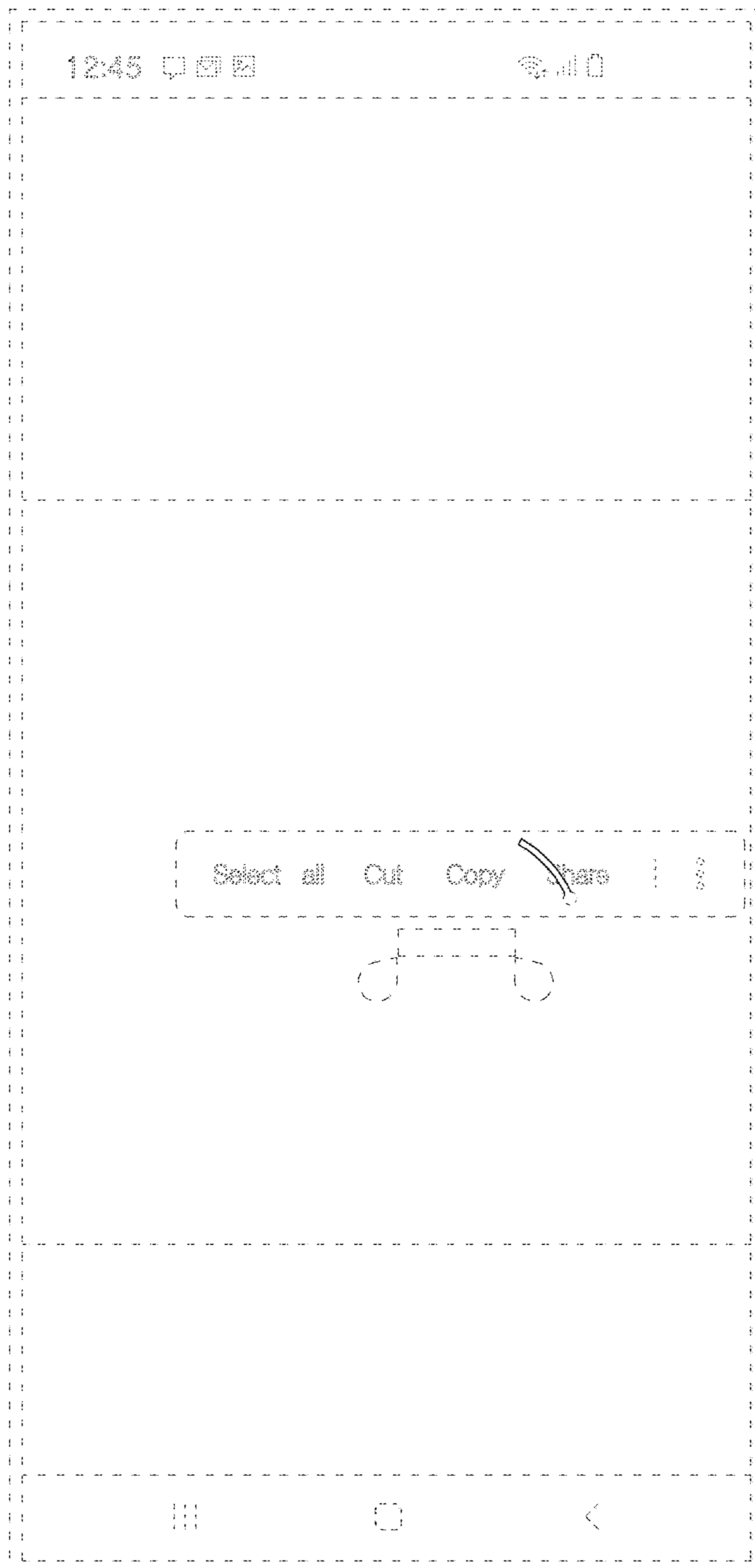


FIG. 3

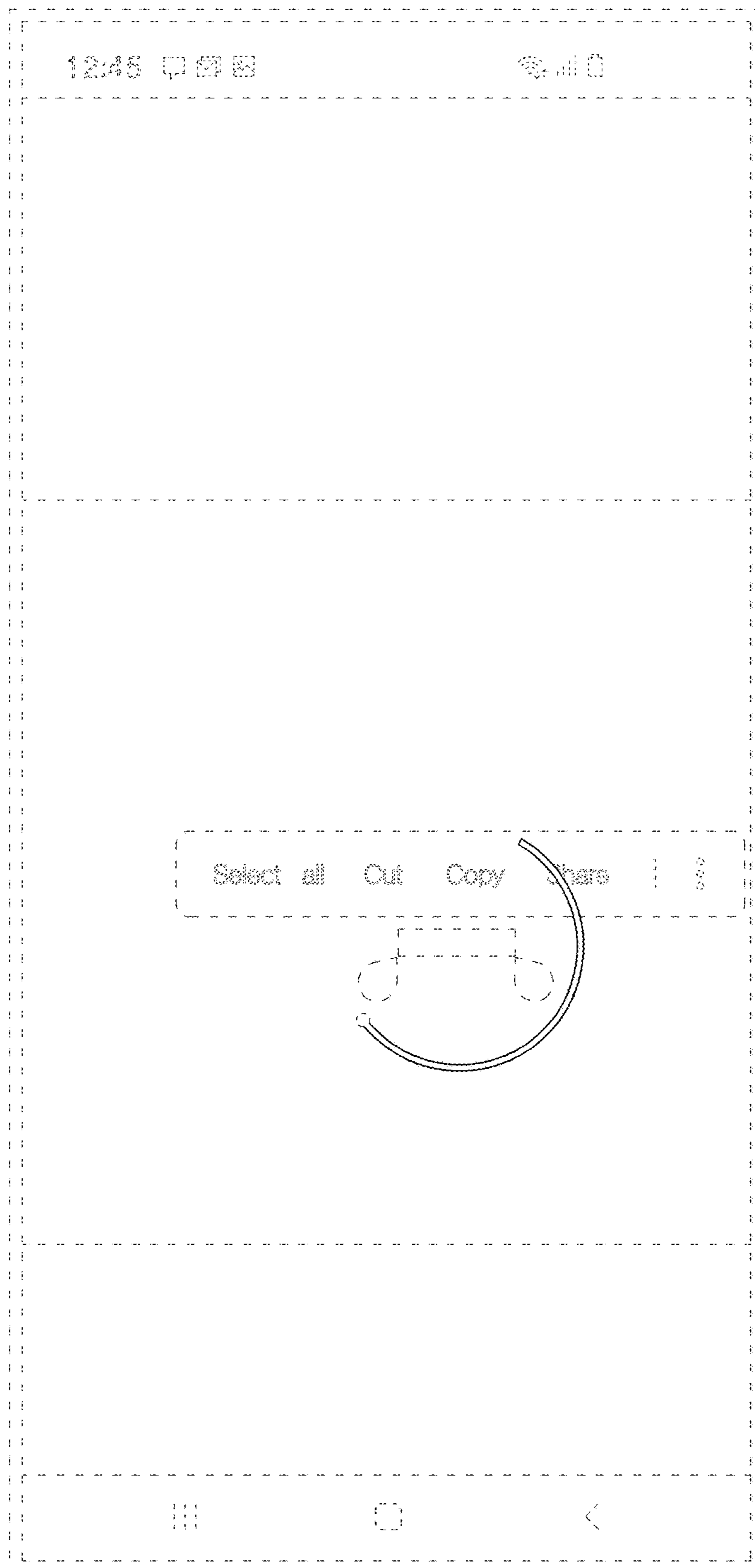


FIG. 4

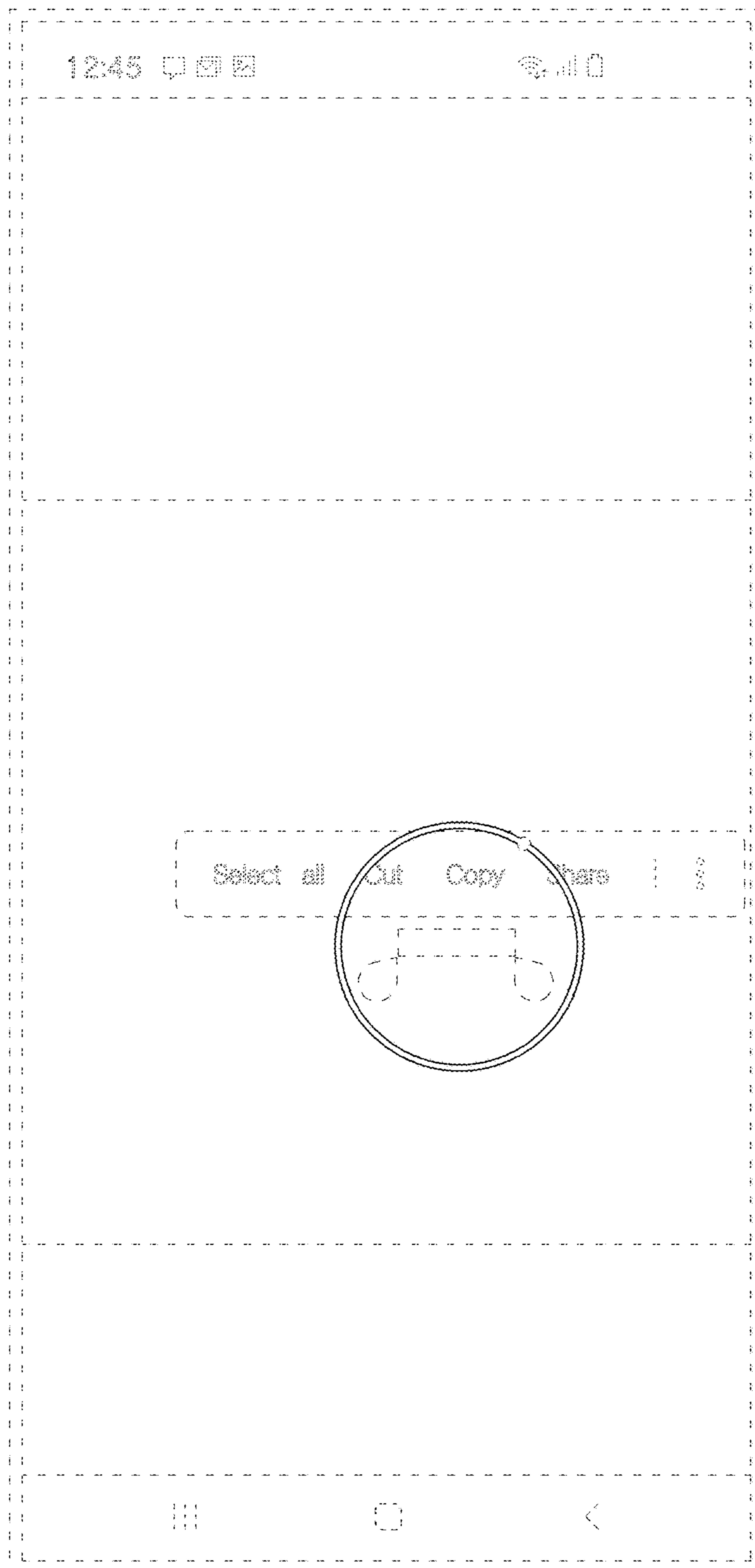


FIG. 5

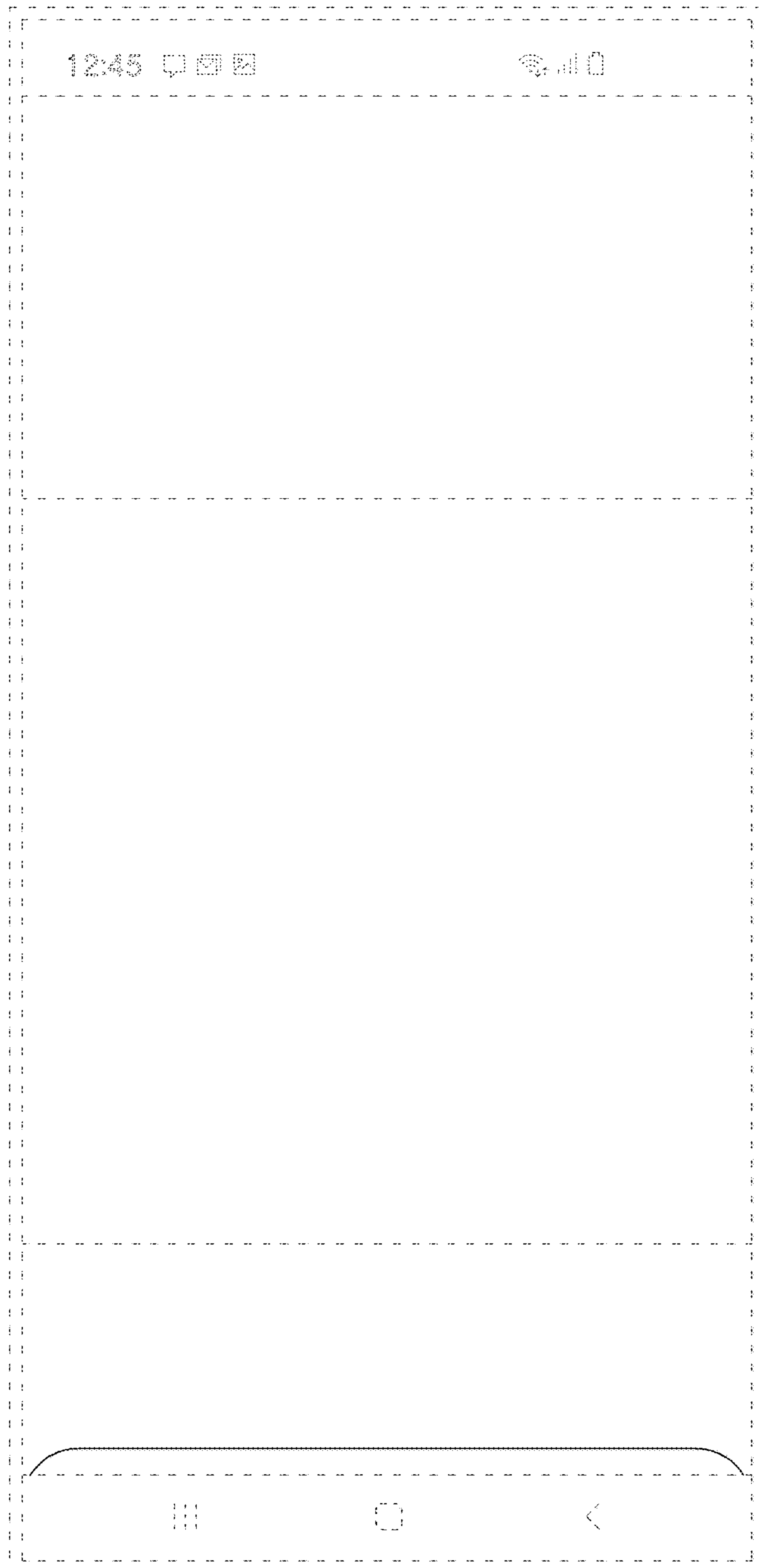


FIG. 6

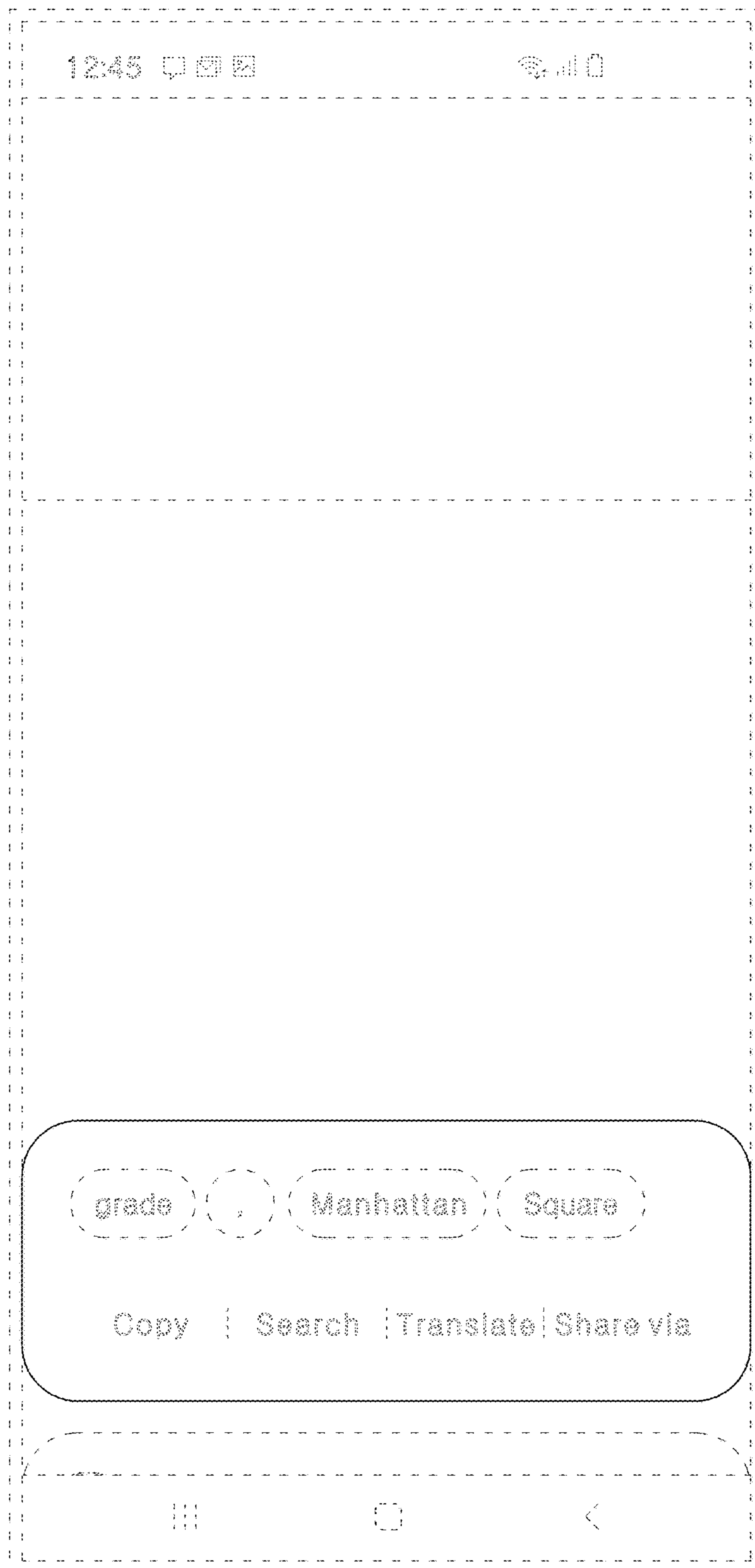


FIG. 7

