



US00D918218S

(12) **United States Design Patent** (10) **Patent No.:** **US D918,218 S**
Lyu (45) **Date of Patent:** **** May 4, 2021**

(54) **DUAL ARM MONITOR STAND**

(71) Applicant: **Yaqi Lyu**, Shenzhen (CN)

(72) Inventor: **Yaqi Lyu**, Shenzhen (CN)

(**) Term: **15 Years**

(21) Appl. No.: **29/730,496**

(22) Filed: **Apr. 5, 2020**

(51) **LOC (13) Cl.** **14-02**

(52) **U.S. Cl.**
USPC **D14/452**

(58) **Field of Classification Search**
USPC D14/447-452, 239, 371, 372, 373, 374,
D14/125, 127, 128, 129, 335-337, 375,
D14/376, 377, 341, 126; D8/355, 363,
D8/373; D6/672, 682
CPC F16M 11/2085; F16M 11/2092; F16M
11/2007; F16M 11/2014; F16M 11/2021;
F16M 11/105; F16M 11/10; F16M
11/048; F16M 11/12; F16M 13/022
See application file for complete search history.

(56) **References Cited**

U.S. PATENT DOCUMENTS

- 7,694,927 B2 * 4/2010 Chuang F16M 11/041
248/276.1
- D660,307 S 5/2012 Huang
- D660,308 S * 5/2012 Huang D14/452
- D740,830 S * 10/2015 Chu D14/452
- 9,746,128 B2 * 8/2017 Huang F16M 11/22
- 9,797,544 B1 * 10/2017 Smed F16M 11/2085
- 9,890,899 B2 * 2/2018 Theis F16M 13/022
- 10,323,791 B1 * 6/2019 Liu F16B 2/065
- 10,349,739 B2 * 7/2019 Corbo A47B 21/04
- D872,067 S 1/2020 Knapp
- D872,719 S * 1/2020 Knapp D14/239
- 10,578,242 B2 * 3/2020 Hung F16M 11/20

- 2010/0327129 A1* 12/2010 Chen F16M 11/2092
248/121
- 2012/0267497 A1* 10/2012 Bowman F16M 11/2014
248/280.11
- 2016/0352054 A1* 12/2016 Xiang F16M 11/2007

FOREIGN PATENT DOCUMENTS

- EM 004693018-0014 * 3/2018
- GB 6035314 * 5/2018

OTHER PUBLICATIONS

Amazon. Link: https://www.amazon.com/HUANUO-Dual-Monitor-Mount-Stand/dp/B07QR48YLB?ref=ast_sto_dp. Jun. 21, 2019. HUANUO Dual Monitor Mount Stand. (Year: 2019).*

(Continued)

Primary Examiner — Lauren D McVey

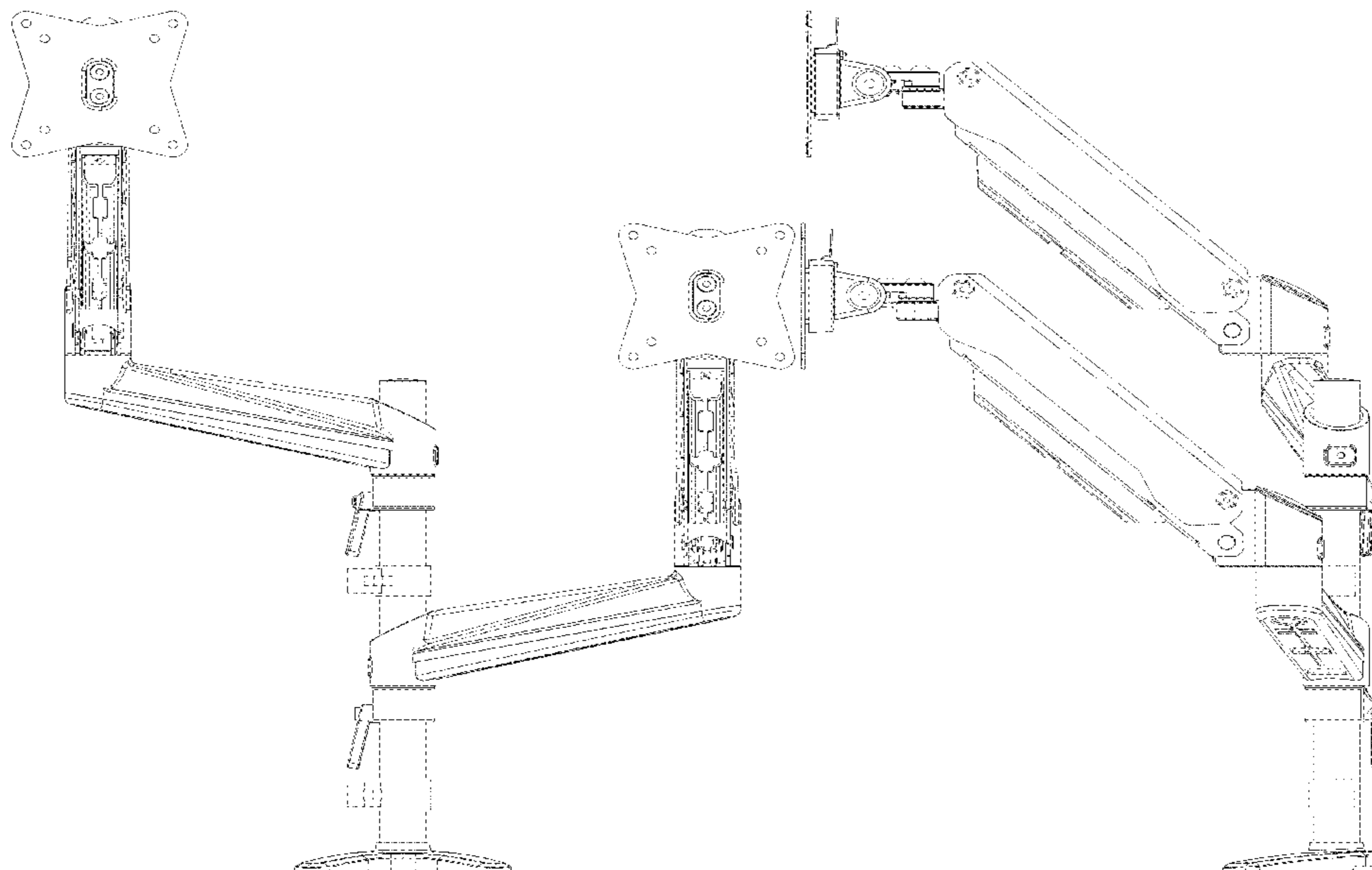
(57) **CLAIM**

The ornamental design for a dual arm monitor stand, as shown and described.

DESCRIPTION

FIG. 1 is a perspective view of a dual arm monitor stand showing my new design in a first extended configuration; FIG. 2 is a perspective view of the dual arm monitor stand in a second extended configuration; FIG. 3 is a front elevational view of FIG. 1; FIG. 4 is a rear elevational view thereof; FIG. 5 is a left side elevational view thereof; FIG. 6 is a right side elevational view thereof; FIG. 7 is a top plan view thereof; and, FIG. 8 is a bottom plan view thereof. The broken lines immediately adjacent to the claim depict the bounds of the claimed design, while all other broken lines are directed to environment. The broken lines form no part of the claimed design. The wire frame lines shown throughout the views indicate surface contour.

1 Claim, 8 Drawing Sheets



(56)

References Cited

OTHER PUBLICATIONS

Amazon. Link: https://www.amazon.com/HUANUO-Dual-Monitor-Stand-Adjustable/dp/B07T5SY43L?ref_=ast_slp_dp. Sep. 8, 2019. Huanuo Dual Monitor Stand. (Year: 2019).*

Amazon. Link: https://www.amazon.com/dp/B07CWQ5S1Q/ref=cm_sw_em_r_mt_dp_Nhs0FbKN898ER?_encoding=UTF8&psc=1. Sep. 4, 2018. HUANUO Dual Monitor Stand—Fully Adjustable Monitor Desk Mount. (Year: 2018).*

Amazon. Link: https://www.amazon.com/dp/B08DNTVY8Y/ref=cm_sw_em_r_mt_dpJcs0FbAHB3DBV?_encoding=UTF8&psc=1. Sep. 17, 2020. HUANUODual Monitor Stand—Gas Spring Monitor Mount with Laptop Tray. (Year: 2020).*

* cited by examiner

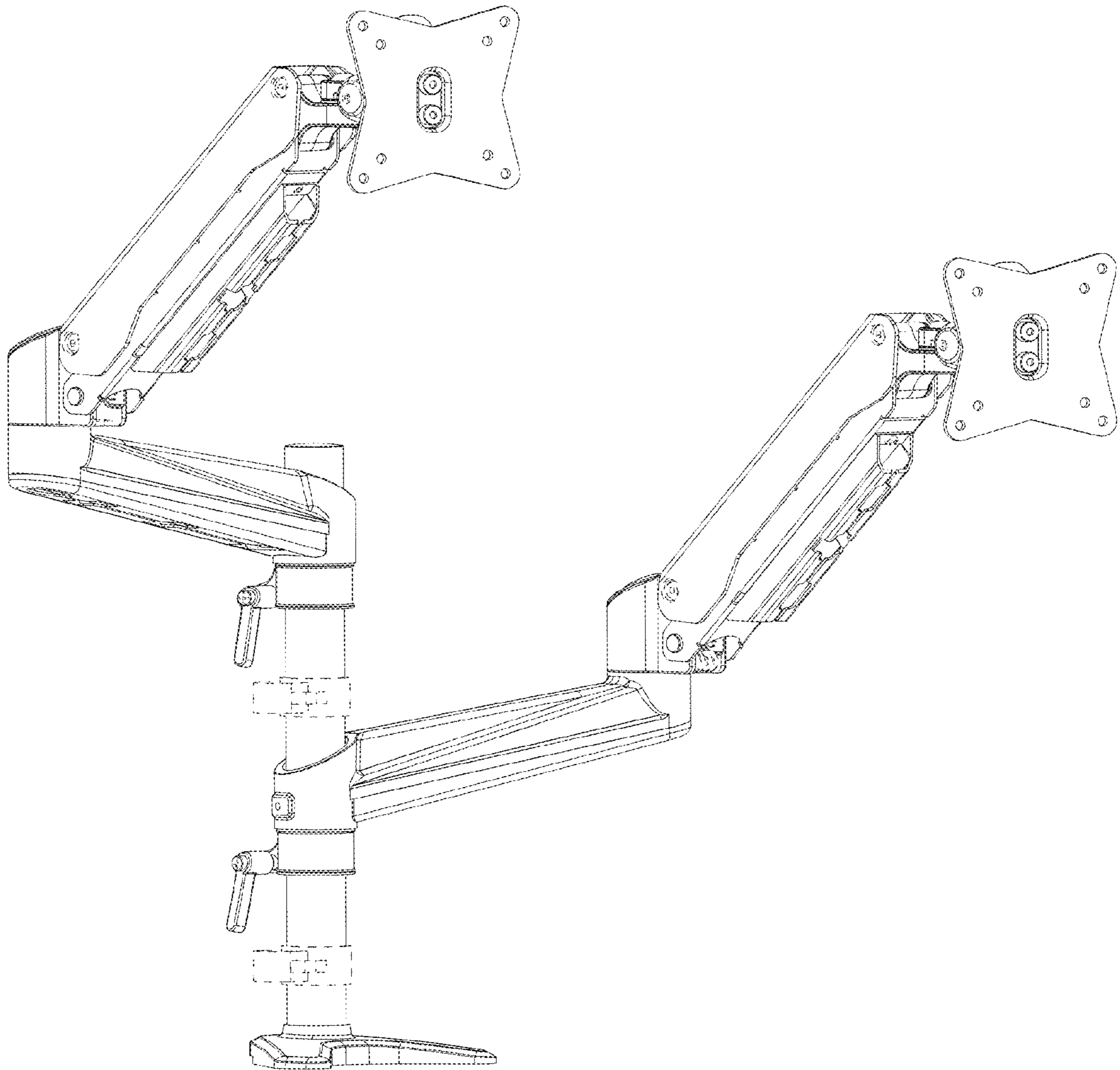


FIG. 1

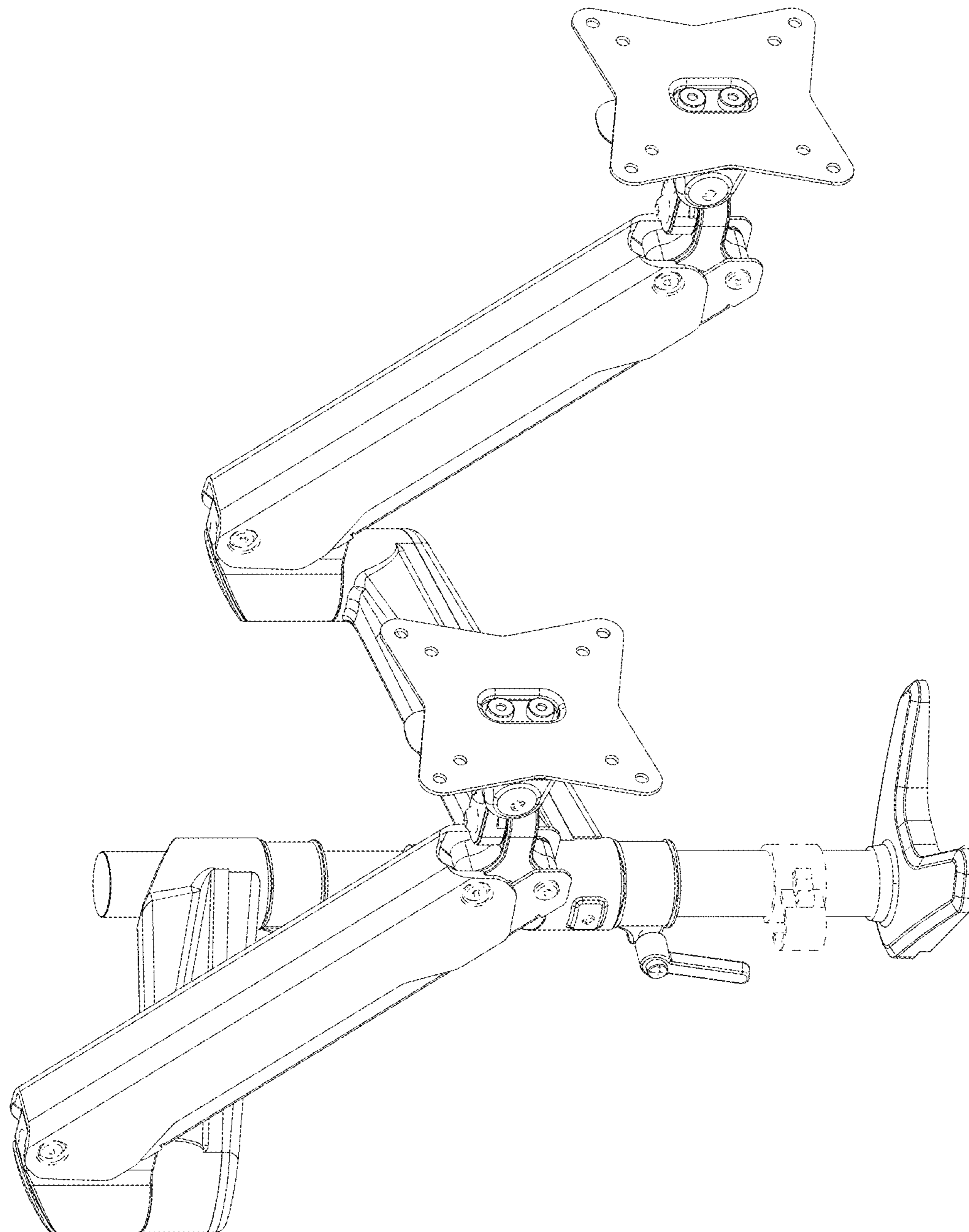


FIG. 2

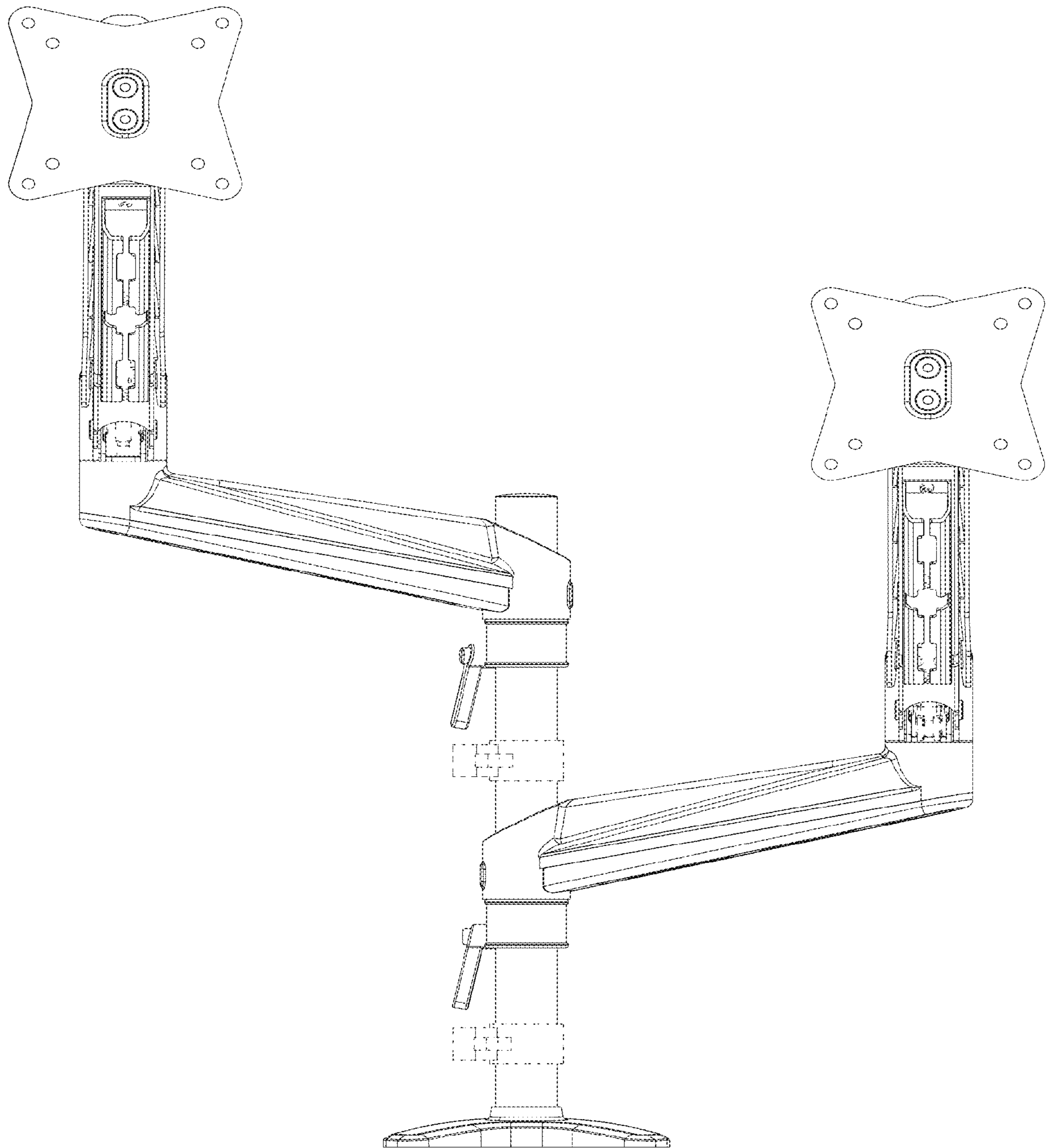


FIG. 3

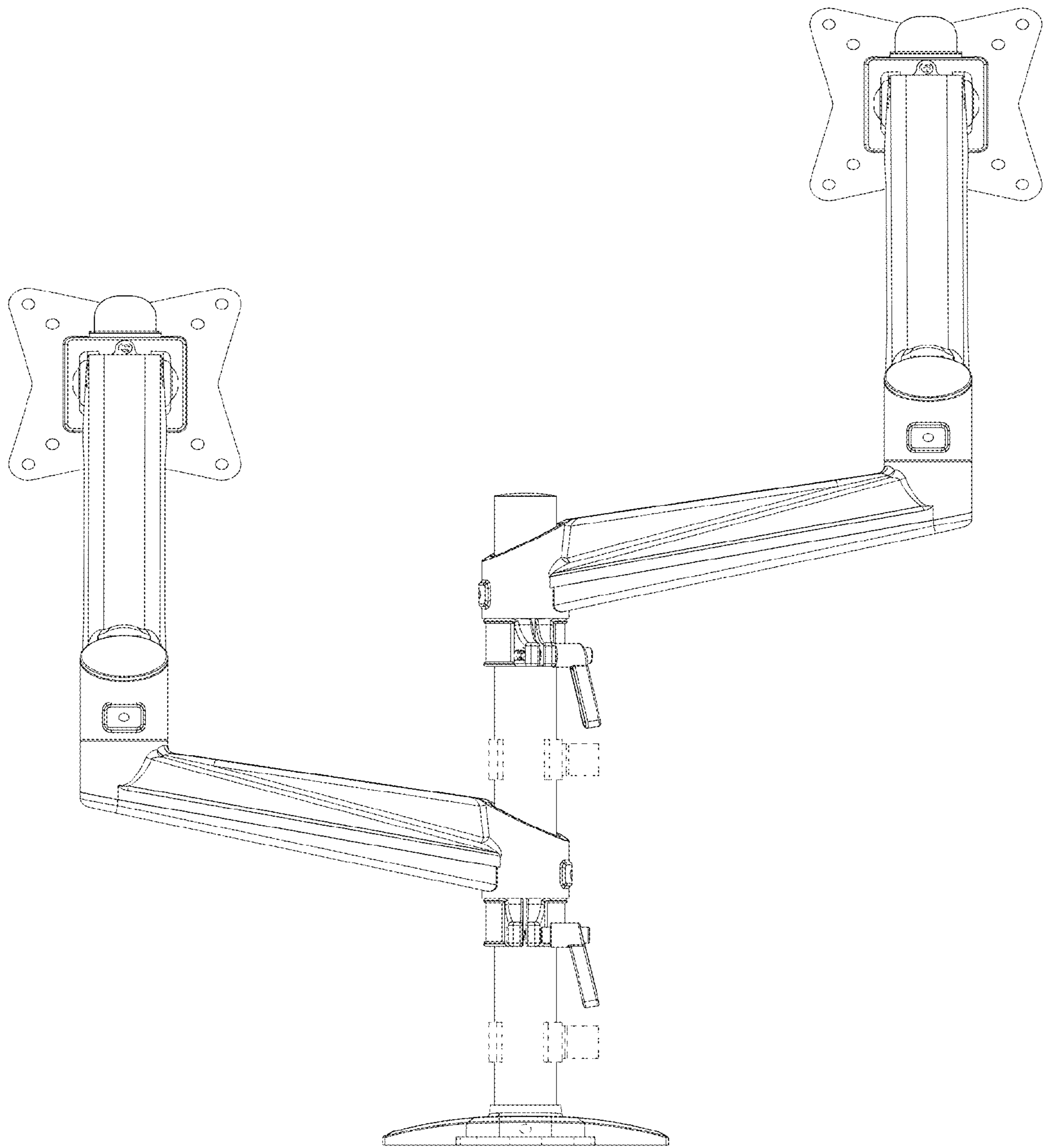


FIG. 4

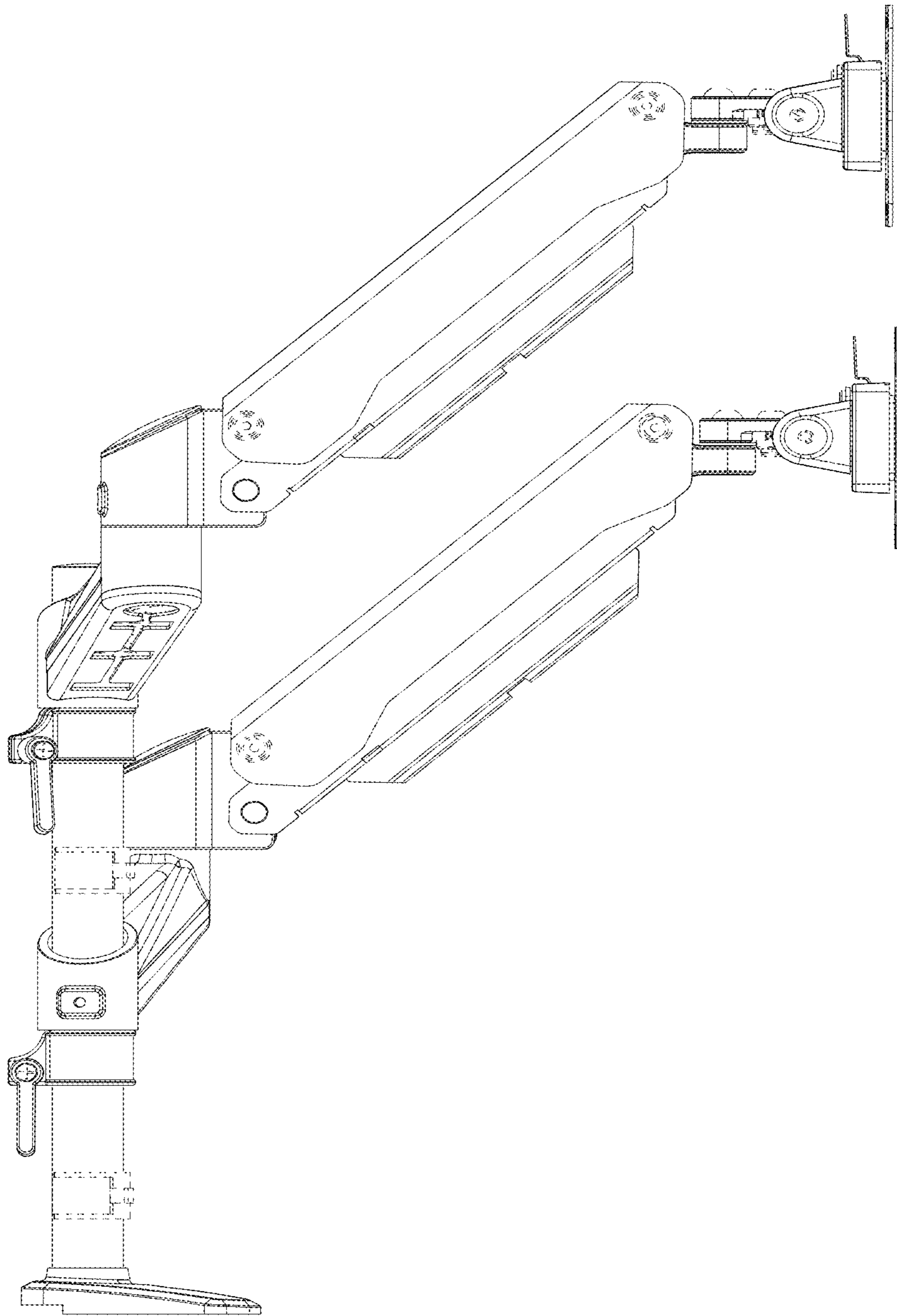


FIG. 5

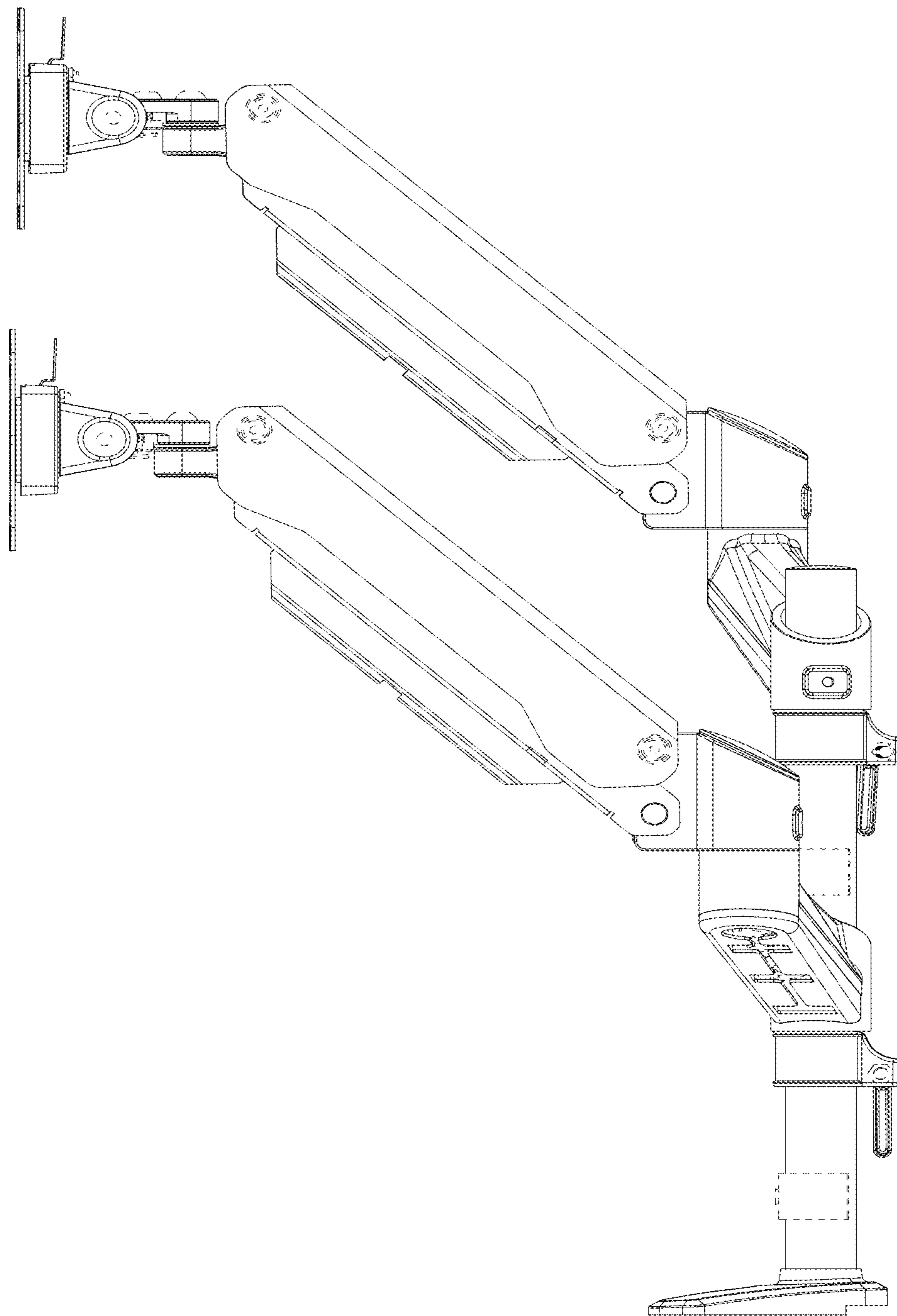


FIG. 6

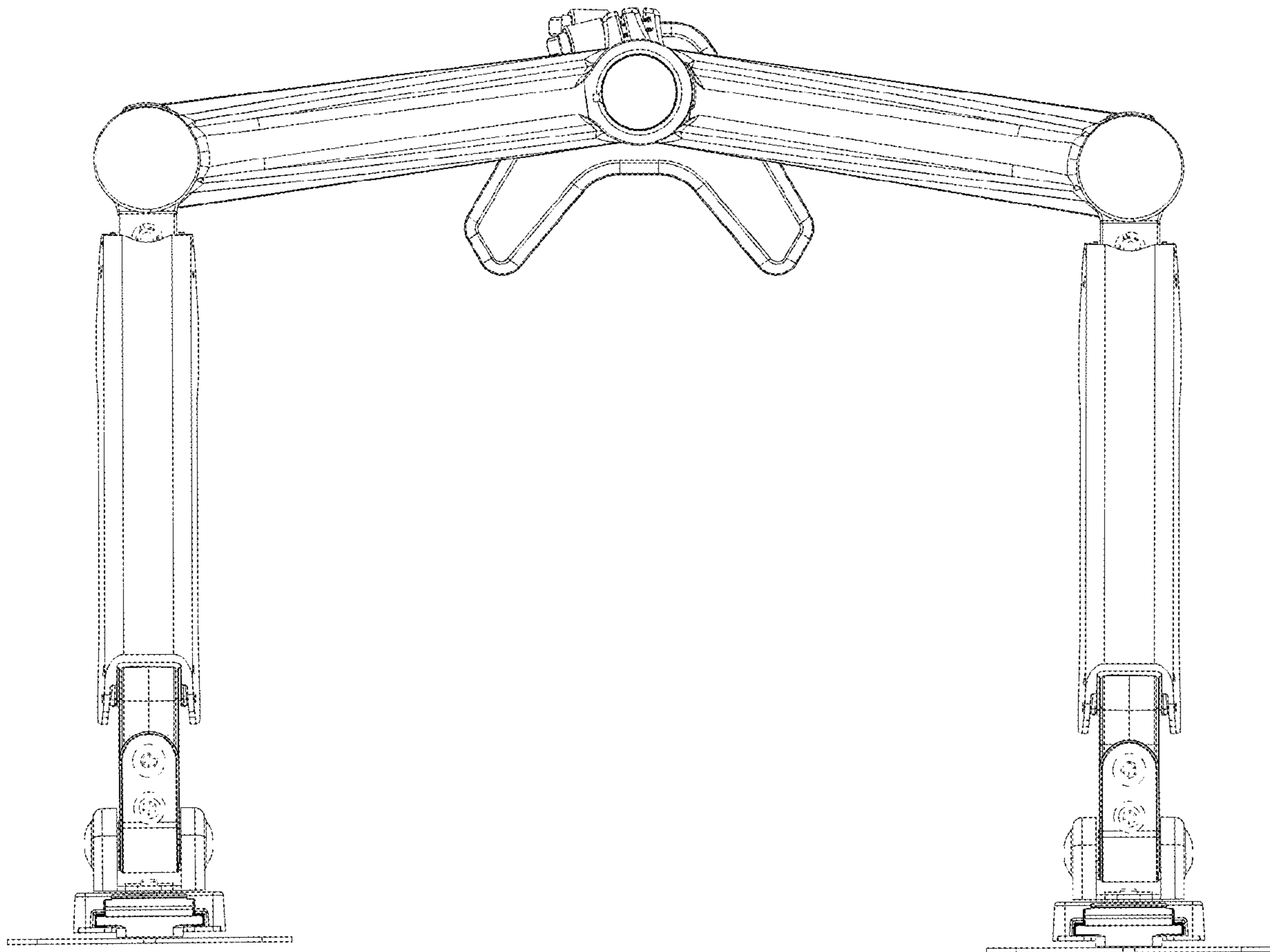


FIG. 7

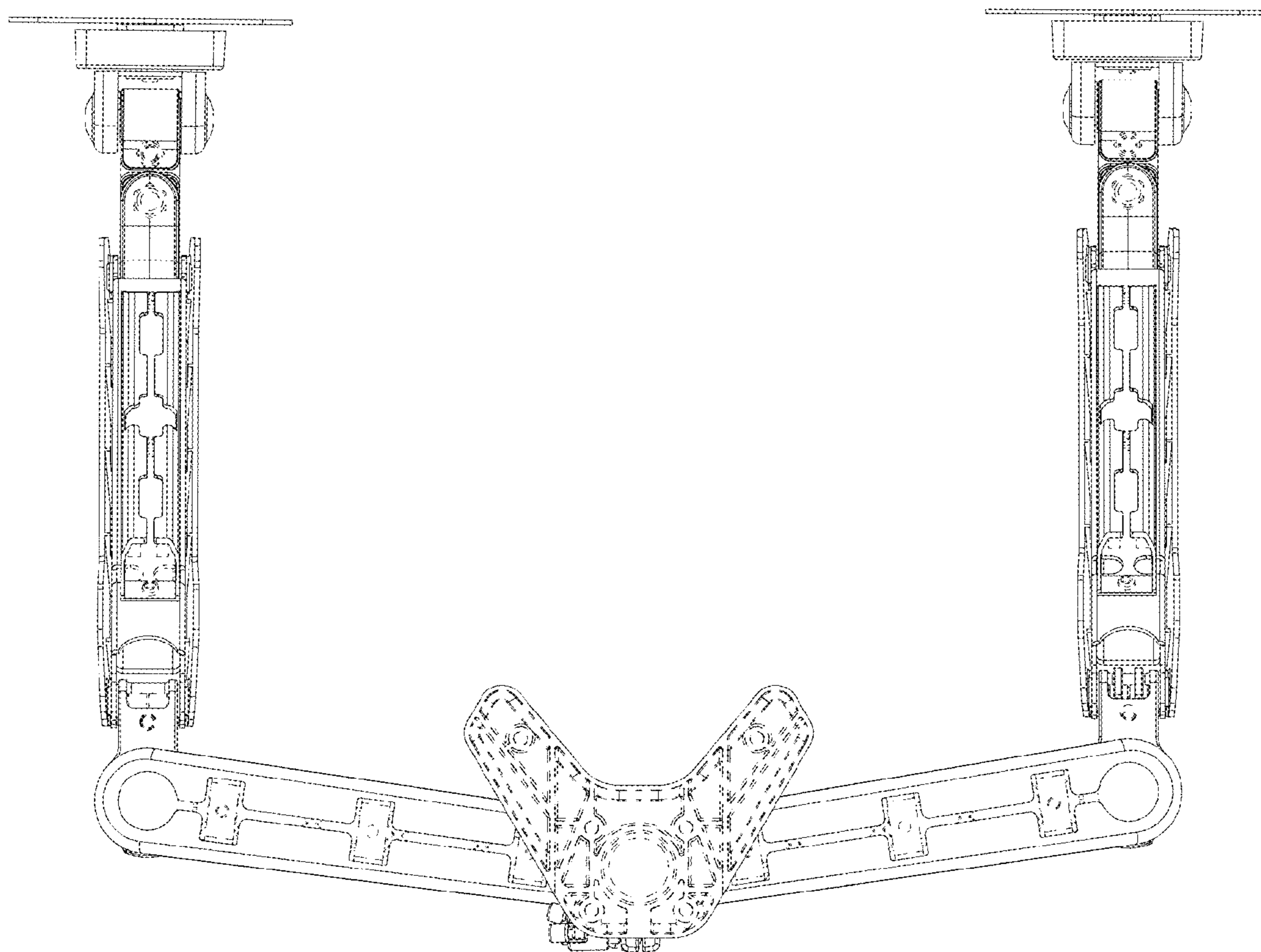


FIG. 8