



US00D918217S

(12) **United States Design Patent** (10) **Patent No.:** **US D918,217 S**
Lyu (45) **Date of Patent:** **** May 4, 2021**

(54) **MONITOR WALL MOUNT APPARATUS**

(71) Applicant: **Yaqi Lyu**, Shenzen (CN)

(72) Inventor: **Yaqi Lyu**, Shenzen (CN)

(**) Term: **15 Years**

(21) Appl. No.: **29/727,710**

(22) Filed: **Mar. 12, 2020**

(51) **LOC (13) Cl.** **14-03**

(52) **U.S. Cl.**
USPC **D14/452**

(58) **Field of Classification Search**
USPC D14/447-452, 239, 371, 372, 373, 374,
D14/125, 127, 128, 129, 335-337, 375,
D14/376, 377, 41, 126; D8/355, 363,
D8/373; D6/672, 682
CPC F16M 11/2085; F16M 11/2092; F16M
11/2007; F16M 11/2014; F16M 11/2021;
F16M 11/105; F16M 11/10; F16M
11/048; F16M 11/12; F16M 13/022
See application file for complete search history.

(56) **References Cited**

U.S. PATENT DOCUMENTS

D543,210	S	*	5/2007	Stenhouse	D14/452
D553,135	S	*	10/2007	Muday	D14/452
D576,633	S	*	9/2008	Muday	D14/452
D638,023	S	*	5/2011	Skull	D14/452
D816,646	S	*	5/2018	Pei	D14/239
D822,011	S	*	7/2018	Namala	D14/239
10,010,177	B1	*	7/2018	Pei	F16M 11/2014
D841,631	S	*	2/2019	Pei	D14/239
D842,284	S	*	3/2019	Pei	D14/239
D848,988	S	*	5/2019	Pei	D14/239
D852,805	S	*	7/2019	Lyu	D14/452
D877,746	S		3/2020	Pei		
D878,382	S		3/2020	Pei		
2018/0177299	A1	*	6/2018	Pei	F16M 13/02
2019/0191879	A1	*	6/2019	Pei	F16M 11/105

FOREIGN PATENT DOCUMENTS

EM	002291906-0005	*	8/2013
GB	6081621	*	1/2020
GB	6081622	*	1/2020

(Continued)

OTHER PUBLICATIONS

Amazon. Link: https://www.amazon.com/dp/B0742DQJBC/ref=cm_sw_em_r_mt_dp_e5NTFb2P5HD5J. Jul. 19, 2017. Loctek Ceiling TV Mount Adjustable Bracket. (Year: 2017).*

(Continued)

Primary Examiner — Lauren D McVey

(57) **CLAIM**

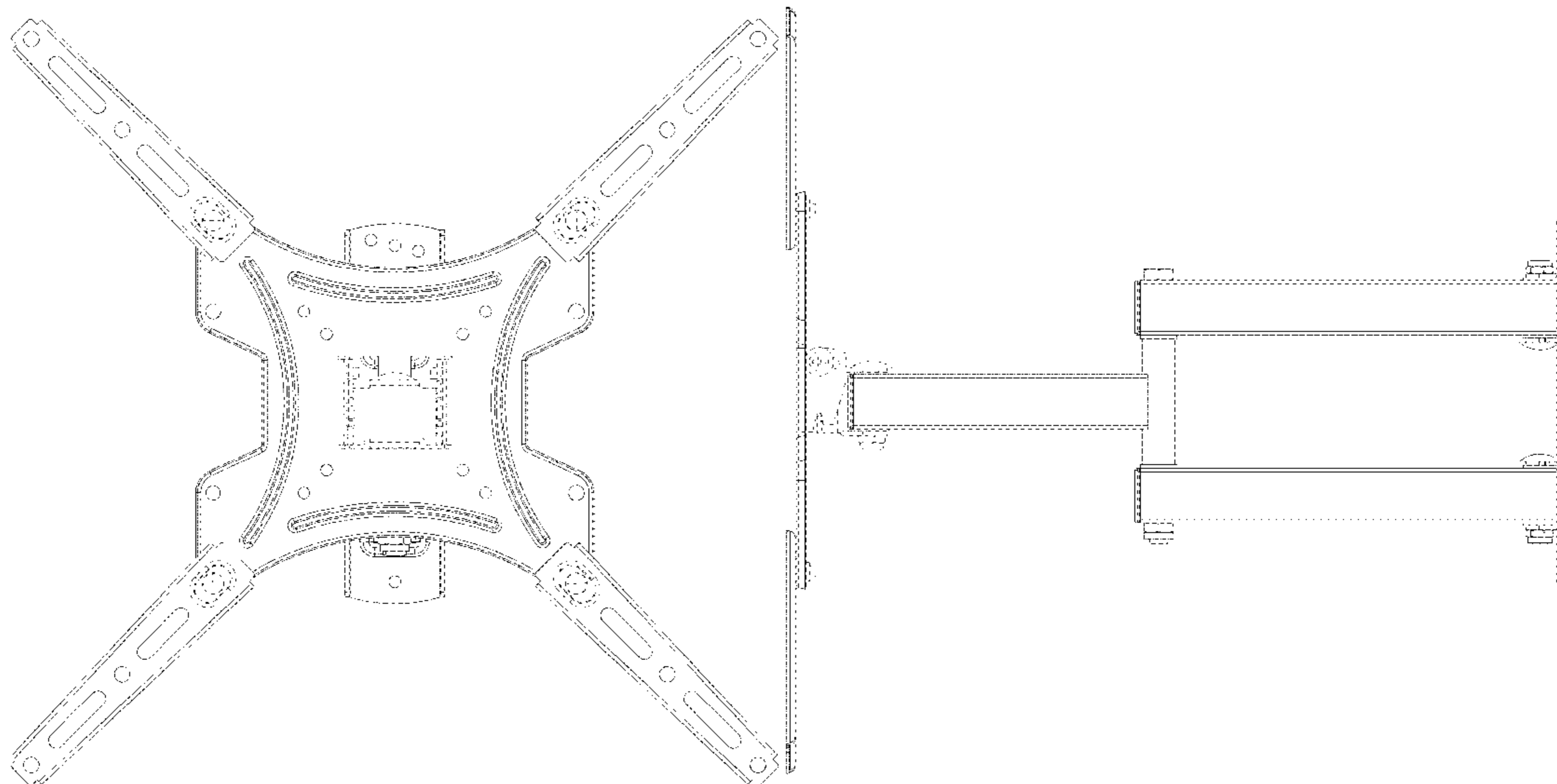
The ornamental design for a monitor wall mount apparatus, as shown and described.

DESCRIPTION

FIG. 1 is a perspective view of a monitor wall mount apparatus showing my new design in a fully extended state; FIG. 2 is a perspective view of the monitor wall mount apparatus in a fully retracted state; FIG. 3 is a front elevational view of FIG. 1; FIG. 4 is a rear elevational view thereof; FIG. 5 is a left side elevational view thereof; FIG. 6 is a right side elevational view thereof; FIG. 7 is a top plan view thereof; and, FIG. 8 is a bottom plan view thereof.

The broken lines immediately adjacent to the claim depict the bounds of the claimed design, while all other broken lines are directed to environment. The broken lines form no part of the claimed design. The wire frame lines shown throughout the views indicate surface contour.

1 Claim, 8 Drawing Sheets



(56)

References Cited

FOREIGN PATENT DOCUMENTS

KR 300768711.0000 * 11/2014
KR 300768713.0000 * 11/2014

OTHER PUBLICATIONS

Amazon. Link: : https://www.amazon.com/dp/B07GFRP5HT/ref=cm_sw_em_r_mt_dp_5hxVFbBS1GQX8?_encoding=UTF8&psc=1. Aug. 14, 2018. VIVO Black Ultra Wide Screen TV Desk Mount for up to 55 inch Screens. (Year: 2018).*

Amazon. Link: https://www.amazon.com/dp/B07Y9XK7MW/ref=cm_sw_em_r_mt_dp_qqSTFbW0DK7QF?_encoding=UTF8&psc=1. Aug. 8, 2019. PERLESMITH Heavy Duty TV Wall Mount. (Year: 2018).*

Amazon. Link: https://www.amazon.com/dp/B07WMPKYGD/ref=cm_sw_em_r_mt_dp_d1C_pttXFb8AXFEEC?_encoding=UTF8&psc=1. Aug. 14, 2019. Pipishell Full Motion TV Wall Mount Bracket Articulating Arms Swivels Tilts Extension Rotation. (Year: 2019).*

* cited by examiner

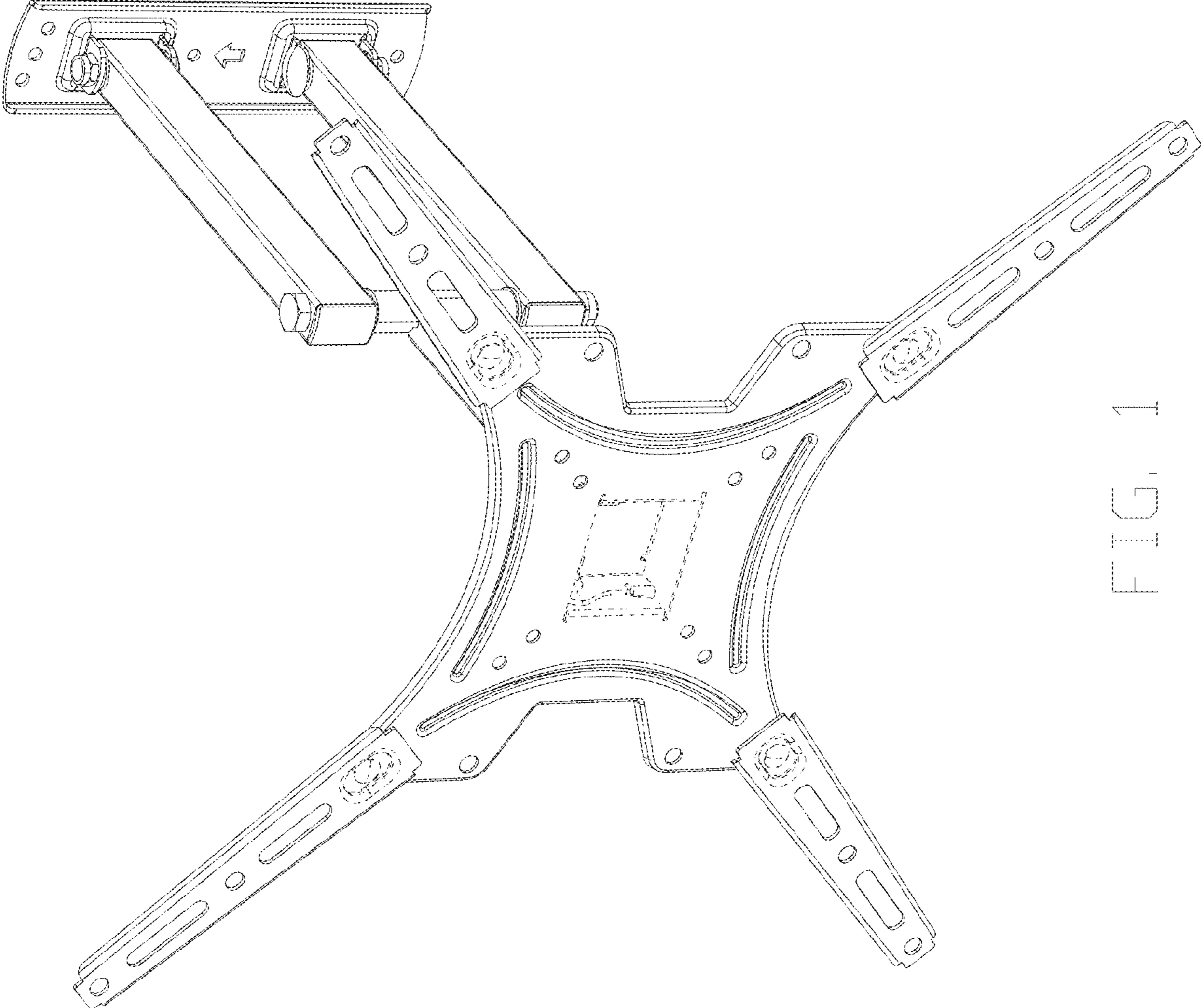


FIG. 1

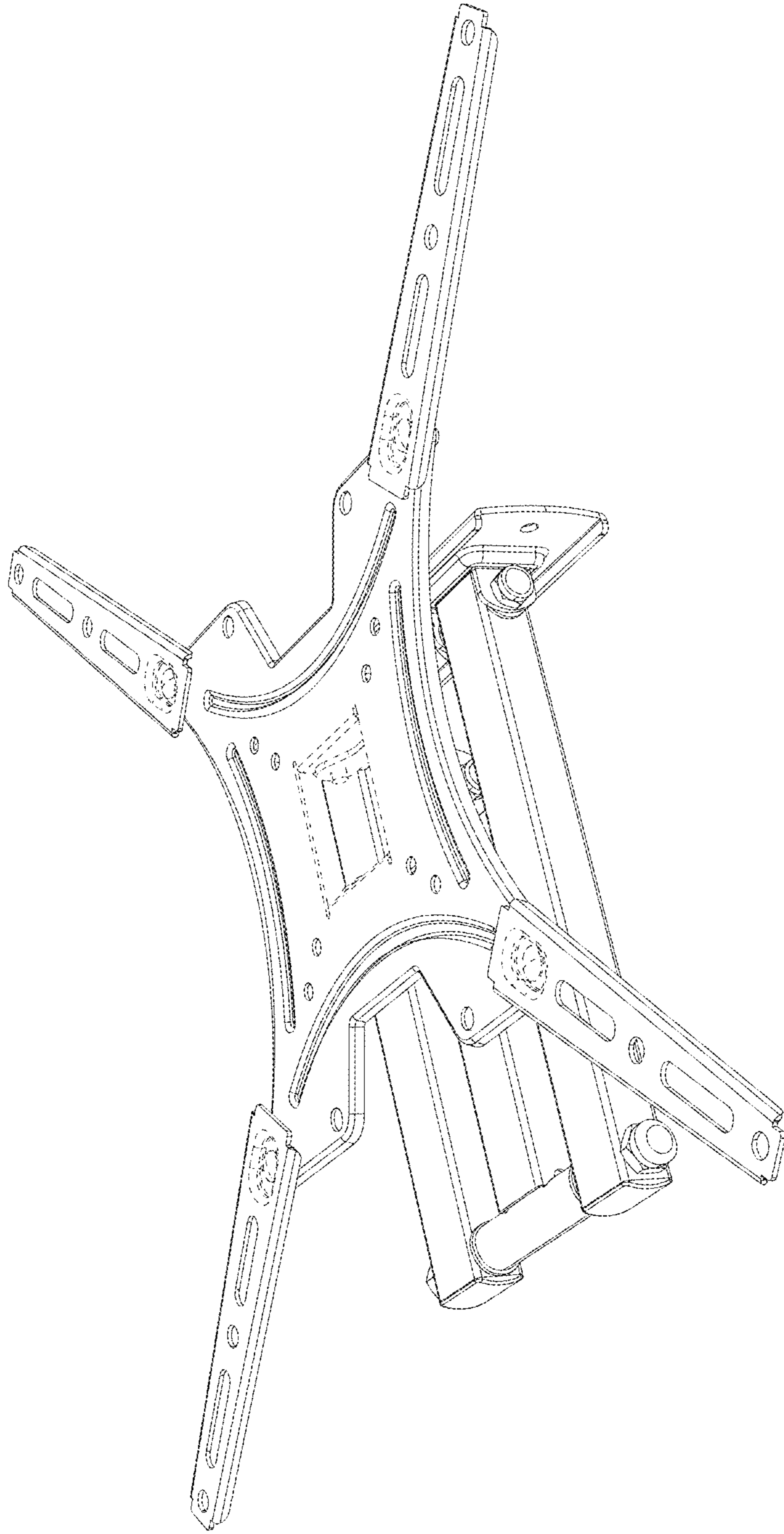


FIG. 2

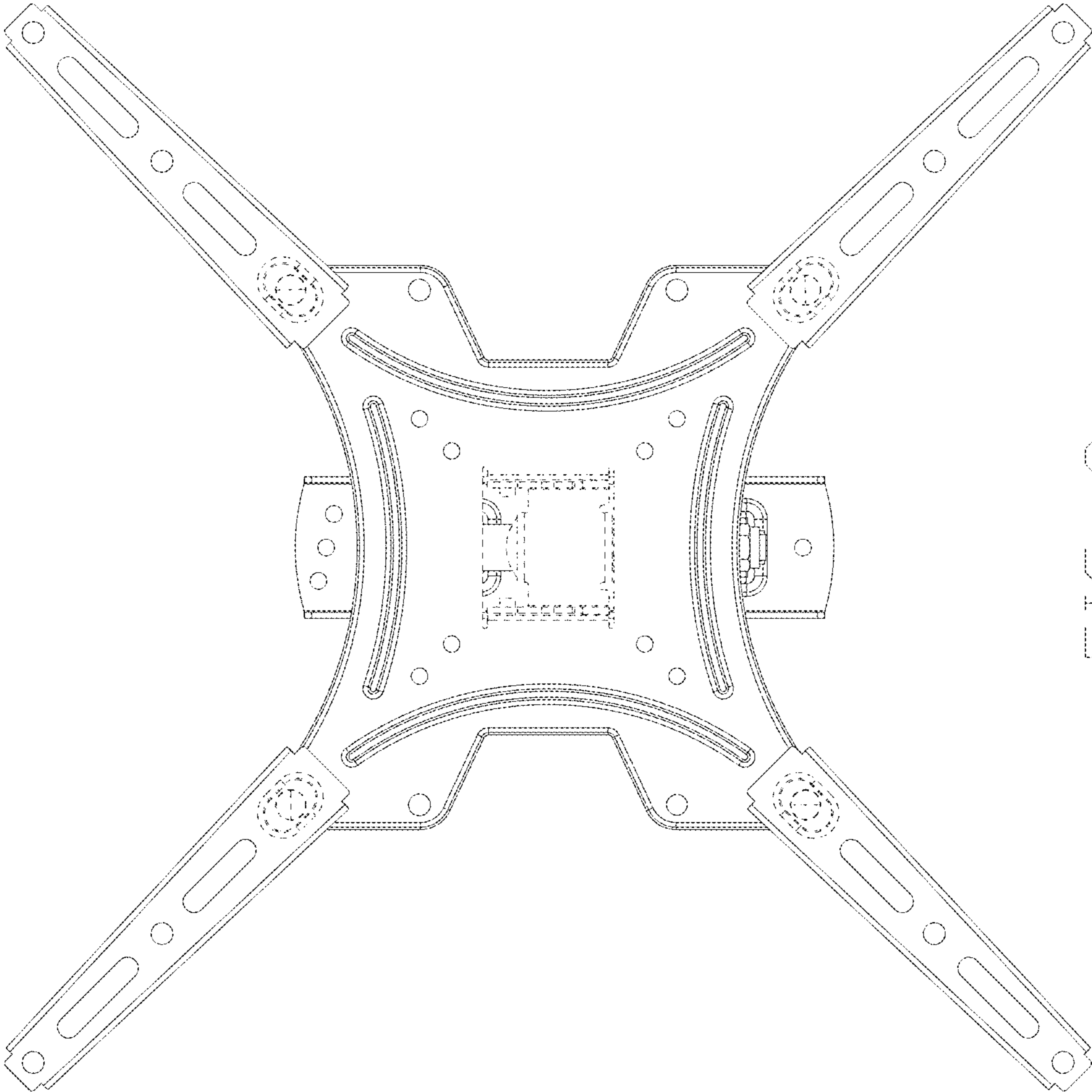


FIG. 3

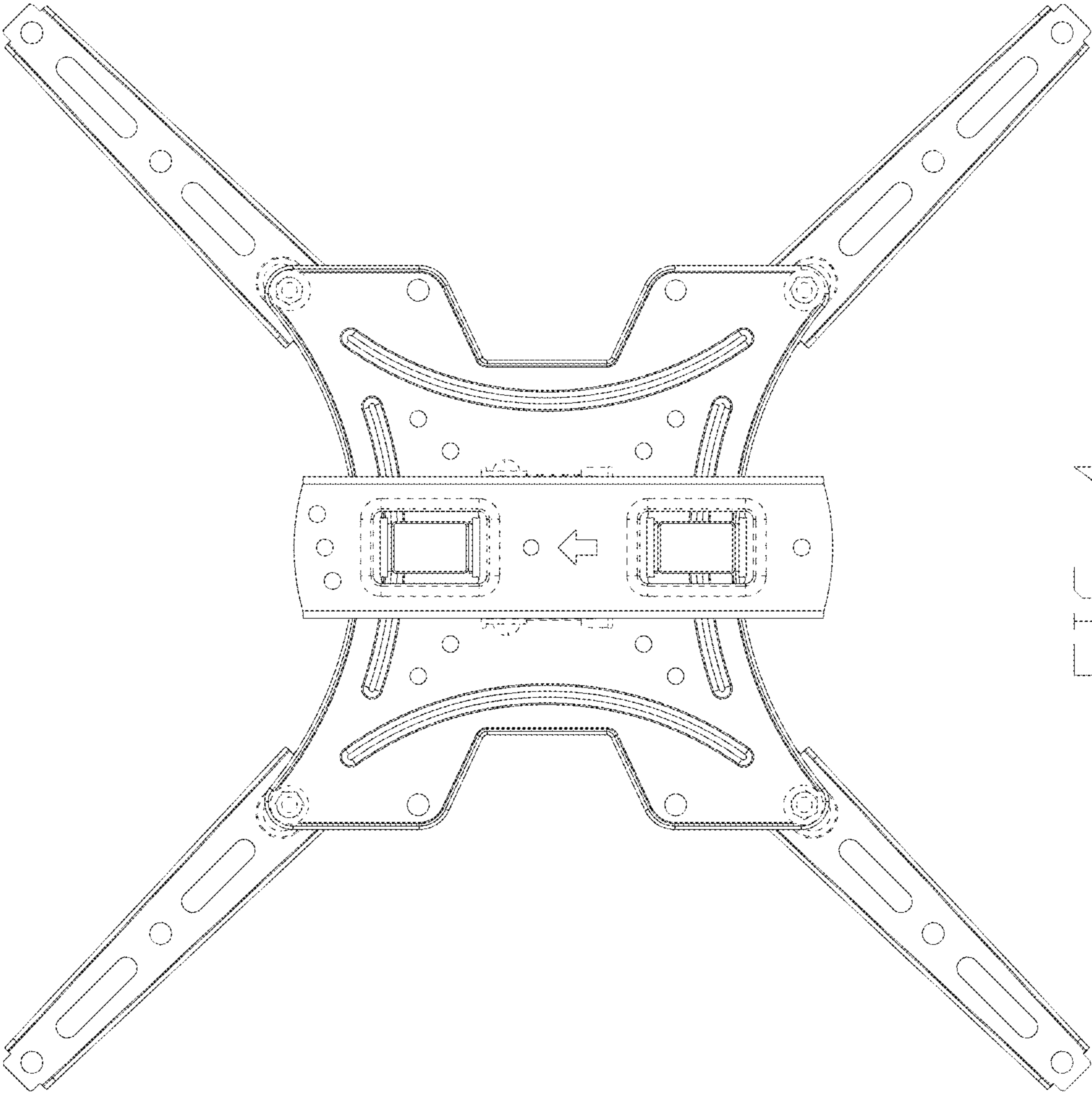


FIG. 4

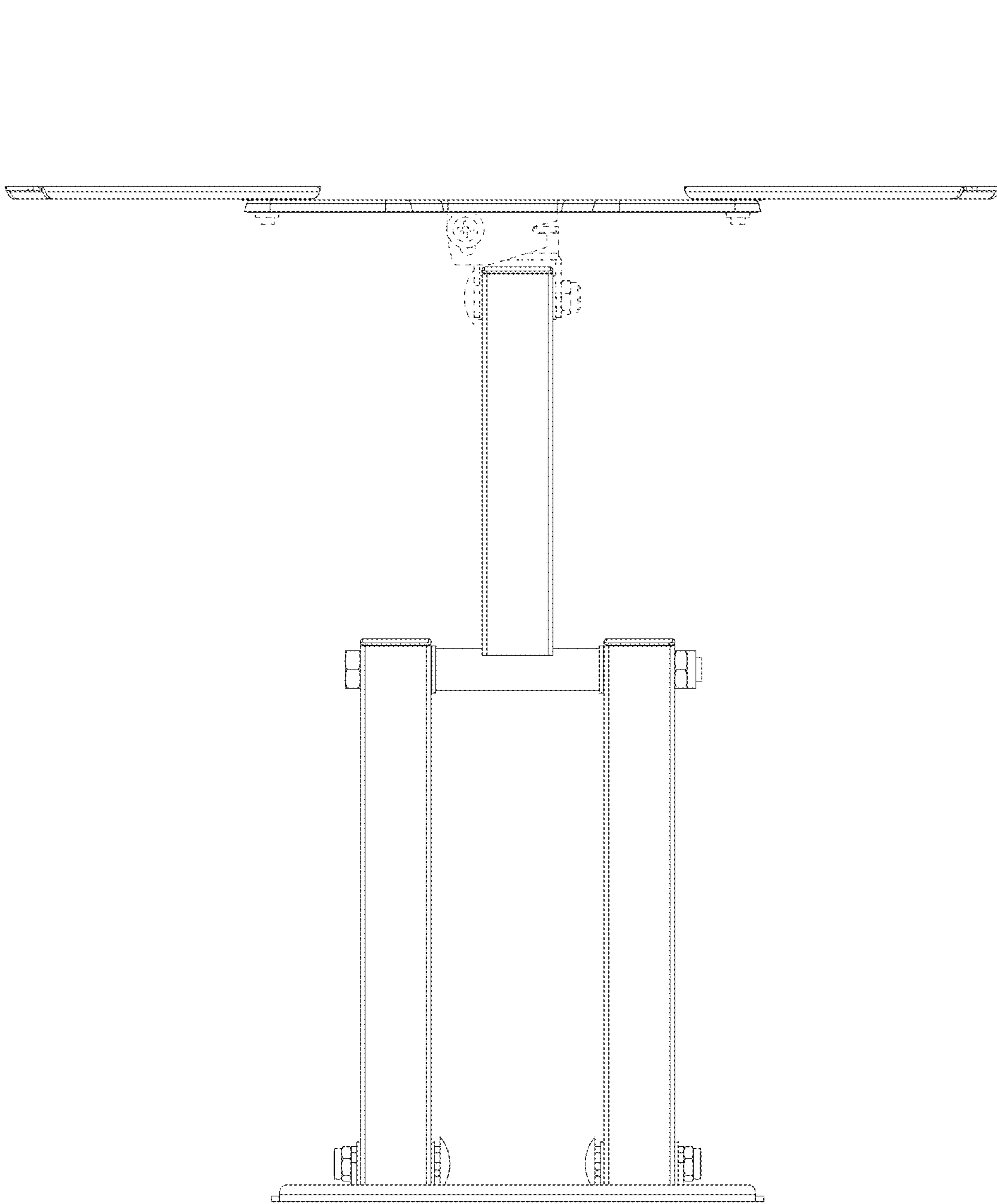


FIG. 5

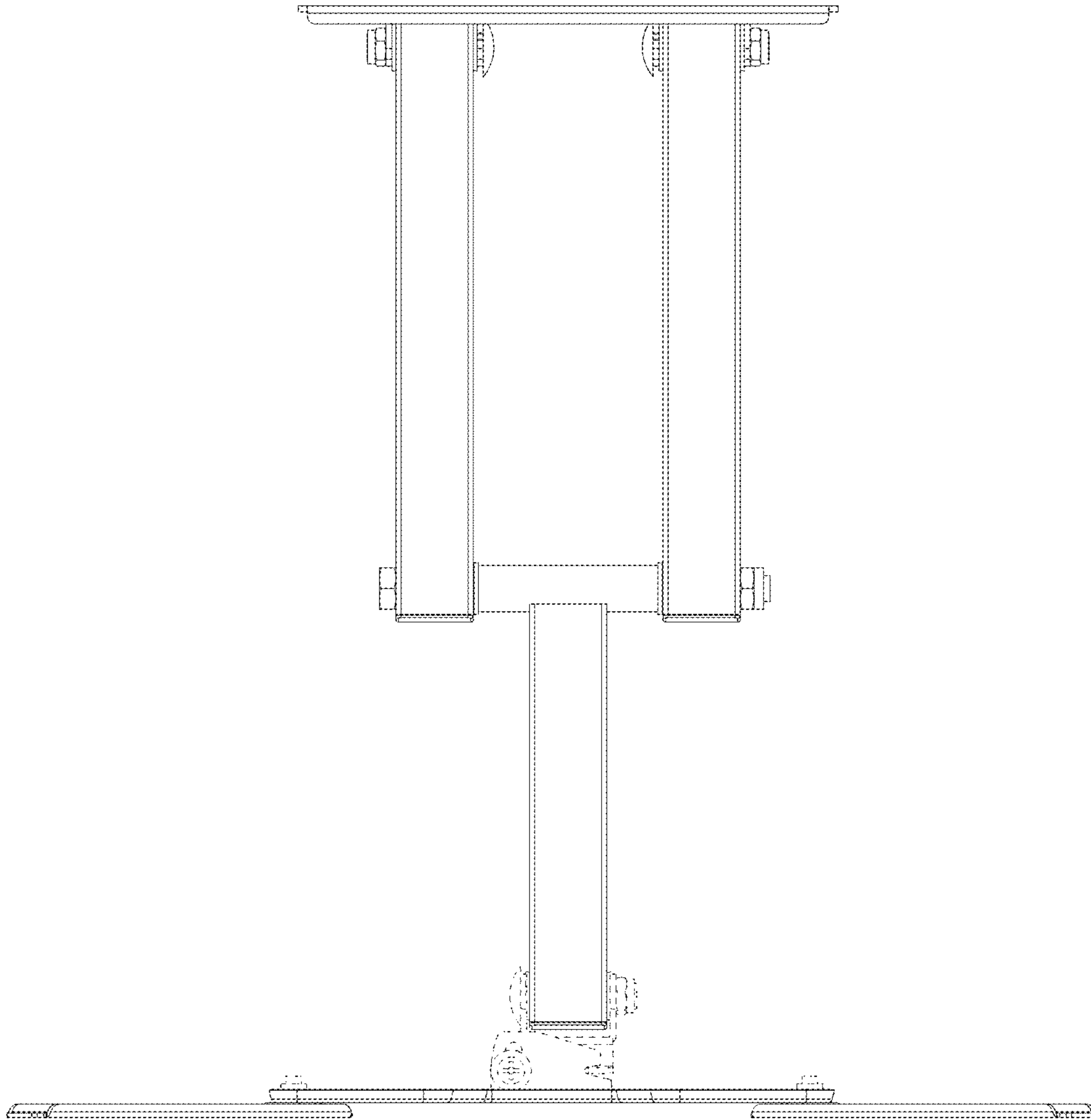


FIG. 6

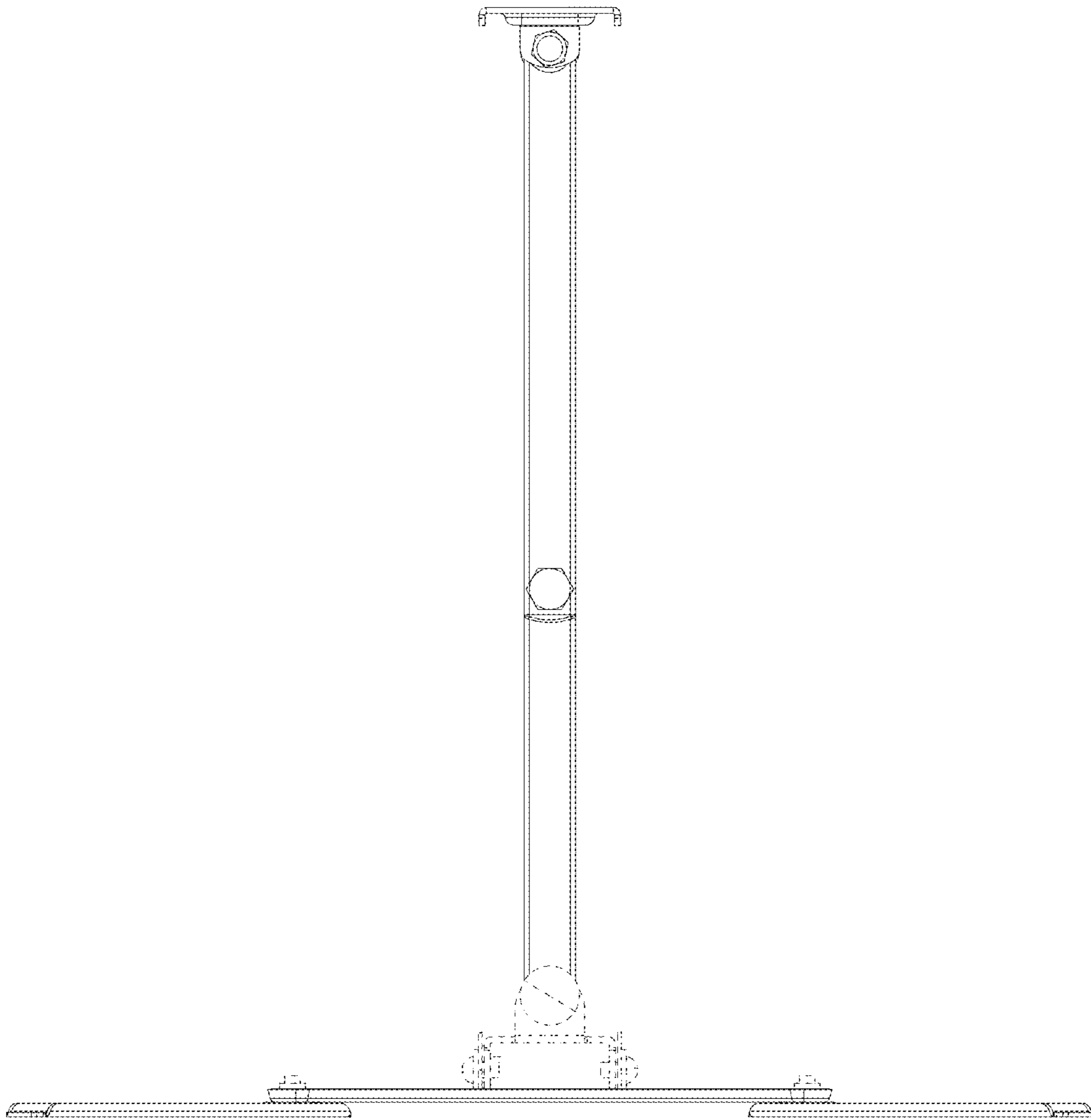


FIG. 7

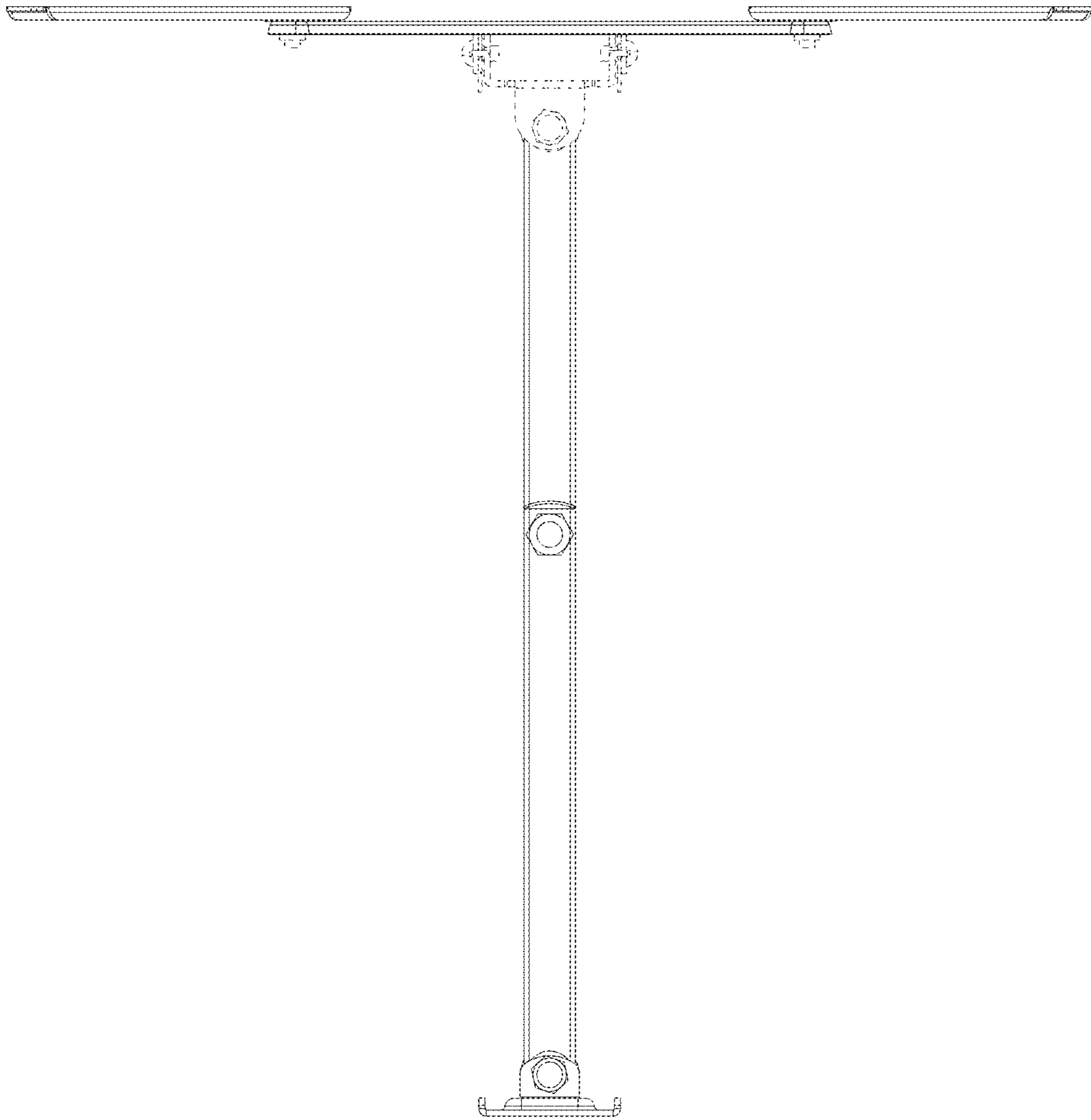


FIG. 8