



US00D918216S

(12) **United States Design Patent**
Sheng

(10) **Patent No.:** **US D918,216 S**

(45) **Date of Patent:** **** May 4, 2021**

(54) **LAPTOP STAND**

(71) Applicant: **Mingfei Sheng**, Chengwu Xian (CN)

(72) Inventor: **Mingfei Sheng**, Chengwu Xian (CN)

(**) Term: **15 Years**

(21) Appl. No.: **29/727,096**

(22) Filed: **Mar. 9, 2020**

(51) **LOC (13) Cl.** **08-07**

(52) **U.S. Cl.**
USPC **D14/447**

(58) **Field of Classification Search**
USPC D14/447, 432, 434, 439, 440, 451, 452,
D14/457, 239, 253; D8/363, 373, 380;
D6/406.3, 406.4, 406.5, 406.6
CPC A47B 21/04; A47B 2097/006; A47B
2097/005; A47B 2023/049; A45C
2011/002; A45C 2011/003; F16M
2200/00; F16M 13/00

See application file for complete search history.

(56) **References Cited**

U.S. PATENT DOCUMENTS

D483,767 S *	12/2003	Green	D14/447
D590,833 S *	4/2009	O'Connor	D14/447
D689,500 S *	9/2013	Faulk	D14/447
D701,510 S *	3/2014	Brisbin	D14/447
D703,217 S *	4/2014	Green	D14/447

D772,883 S *	11/2016	Sun	D14/447
D827,652 S *	9/2018	Jacques	D14/447
D835,115 S *	12/2018	Westergard	D14/447
D838,724 S *	1/2019	Olander	F16M 11/38 D14/447
D847,822 S *	5/2019	Lye	D14/447
10,344,910 B1 *	7/2019	Lye	F16M 13/00
D867,370 S *	11/2019	Taylor	A47B 21/04 D14/447
D881,199 S *	4/2020	Sheng	D14/447

* cited by examiner

Primary Examiner — Angela J Lee

(74) *Attorney, Agent, or Firm* — Rumit Ranjit Kanakia

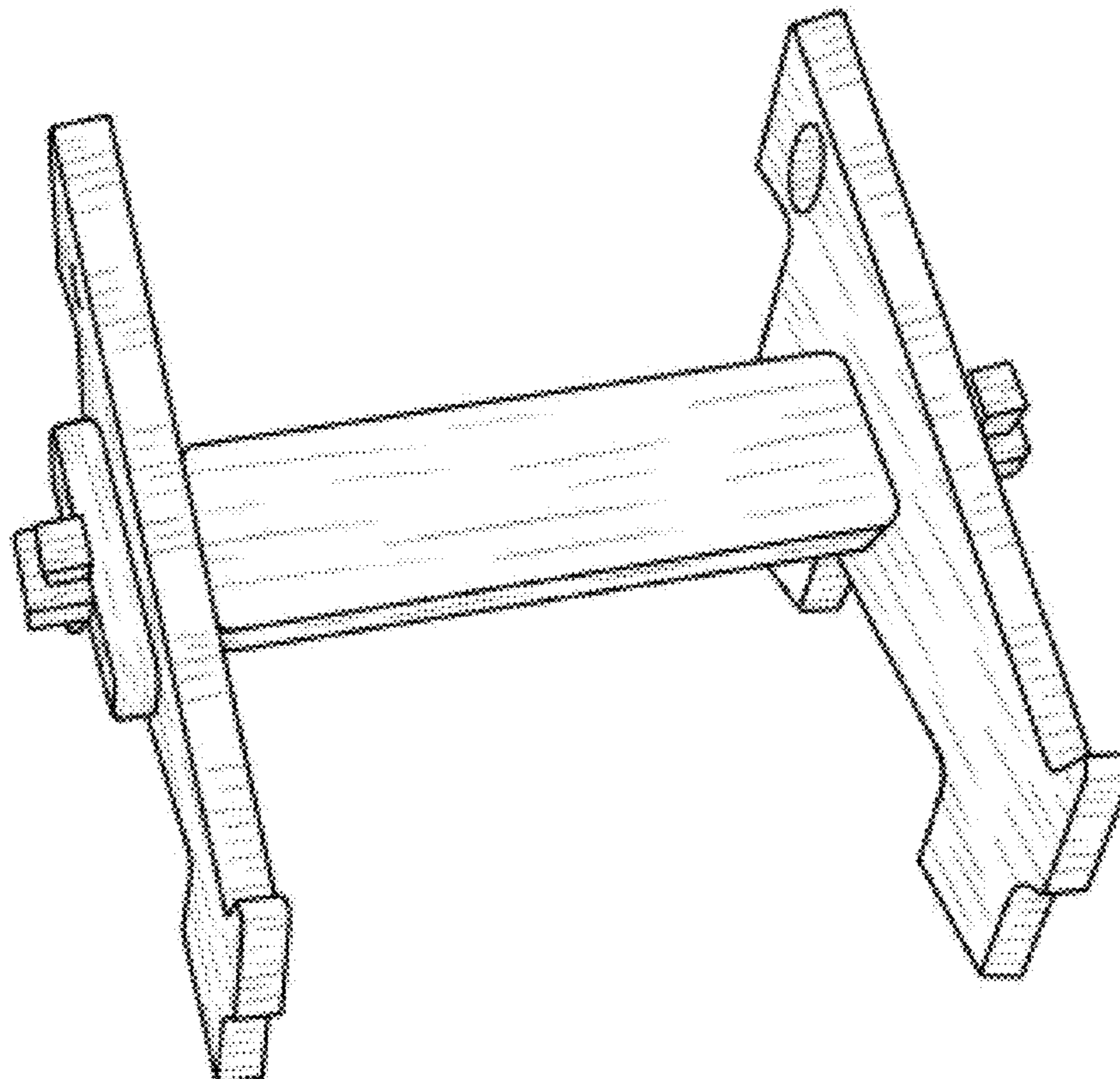
(57) **CLAIM**

I claim the ornamental design for a laptop stand, as shown and described.

DESCRIPTION

FIG. 1 is a perspective view of a laptop stand showing my new design;
FIG. 2 is a front view thereof;
FIG. 3 is a back view thereof;
FIG. 4 is a right-side view thereof;
FIG. 5 is a left-side view thereof;
FIG. 6 is a top view thereof; and,
FIG. 7 is a bottom view thereof.

1 Claim, 7 Drawing Sheets



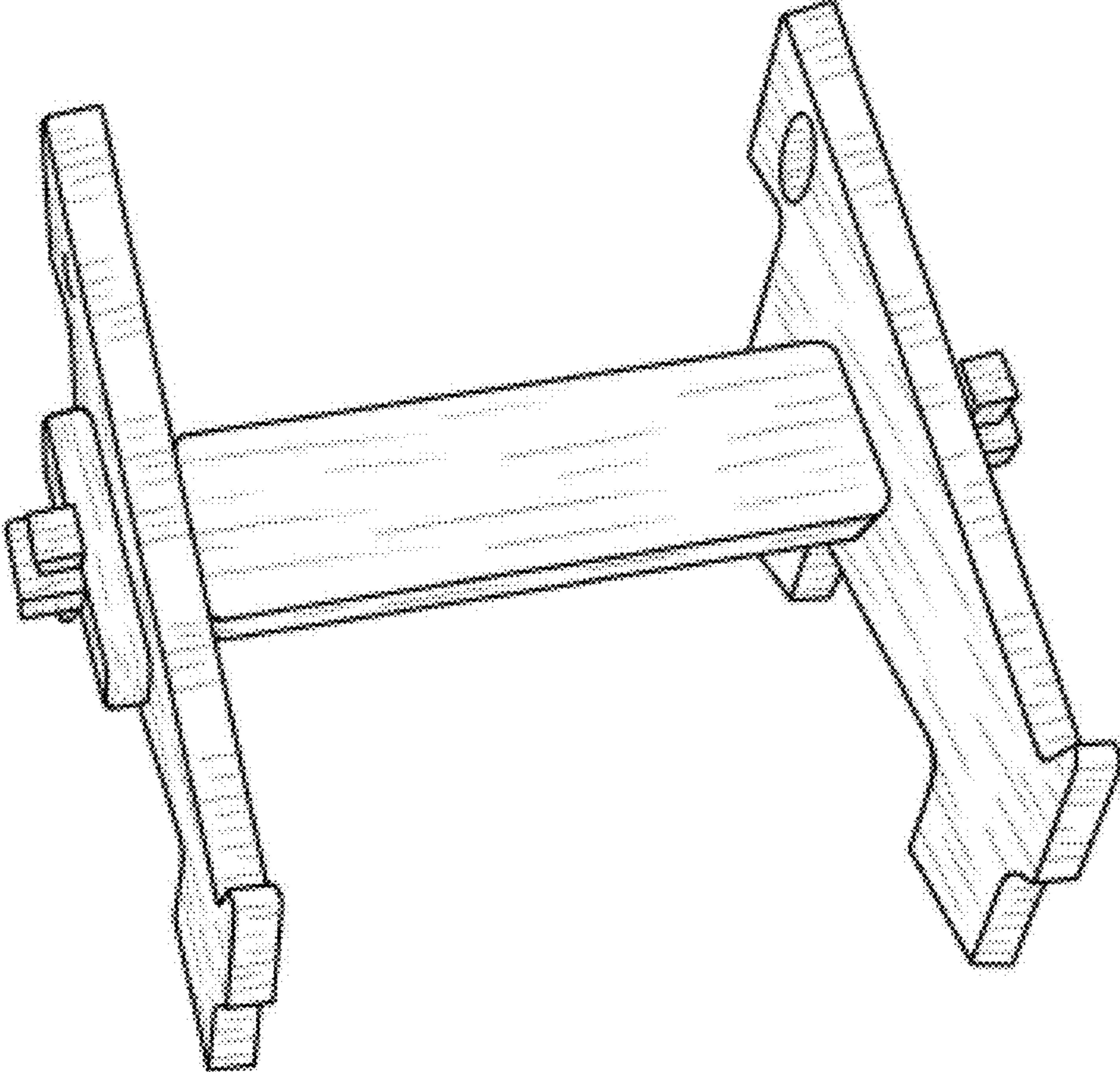


FIG. 1

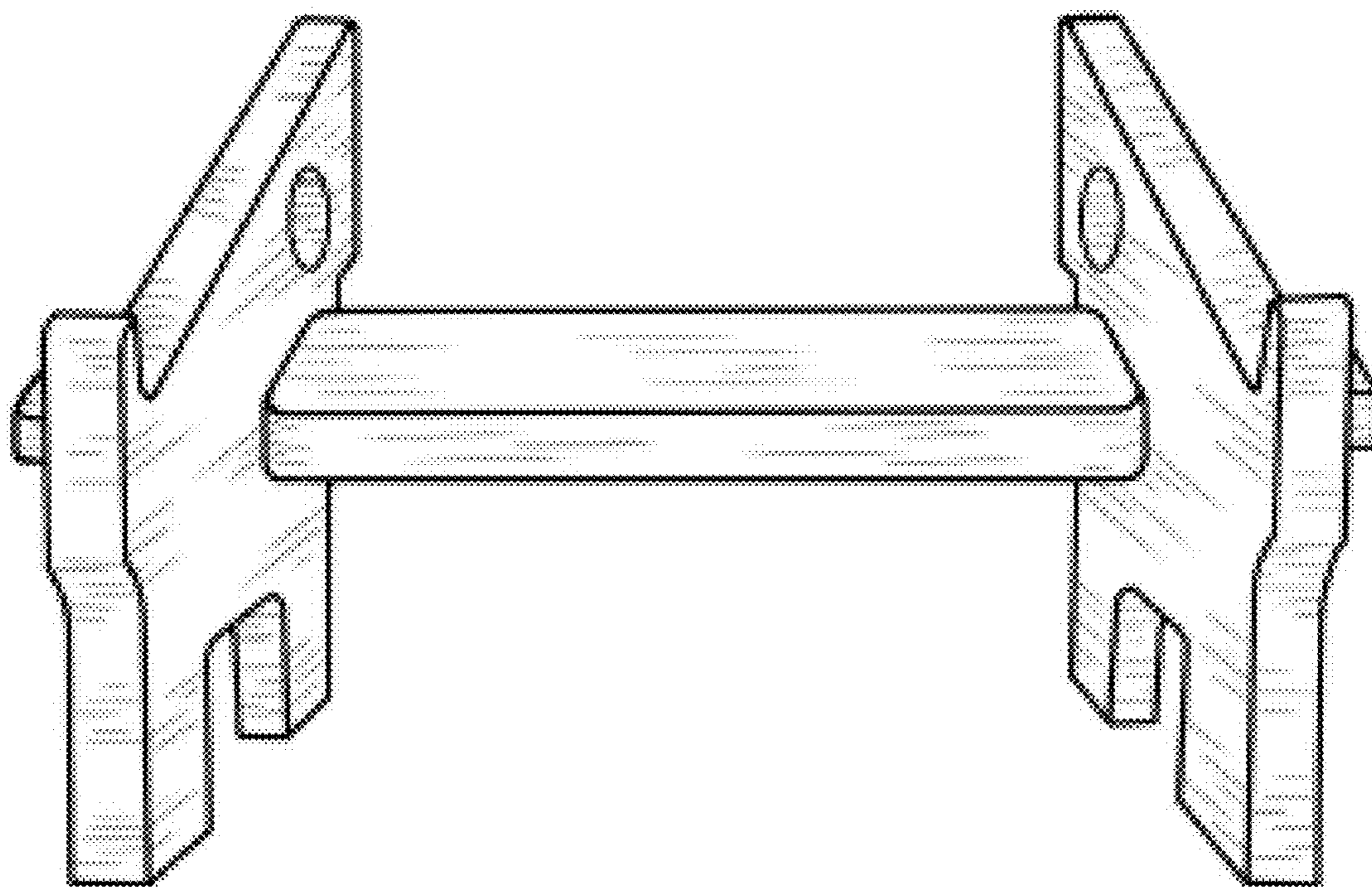


FIG. 2

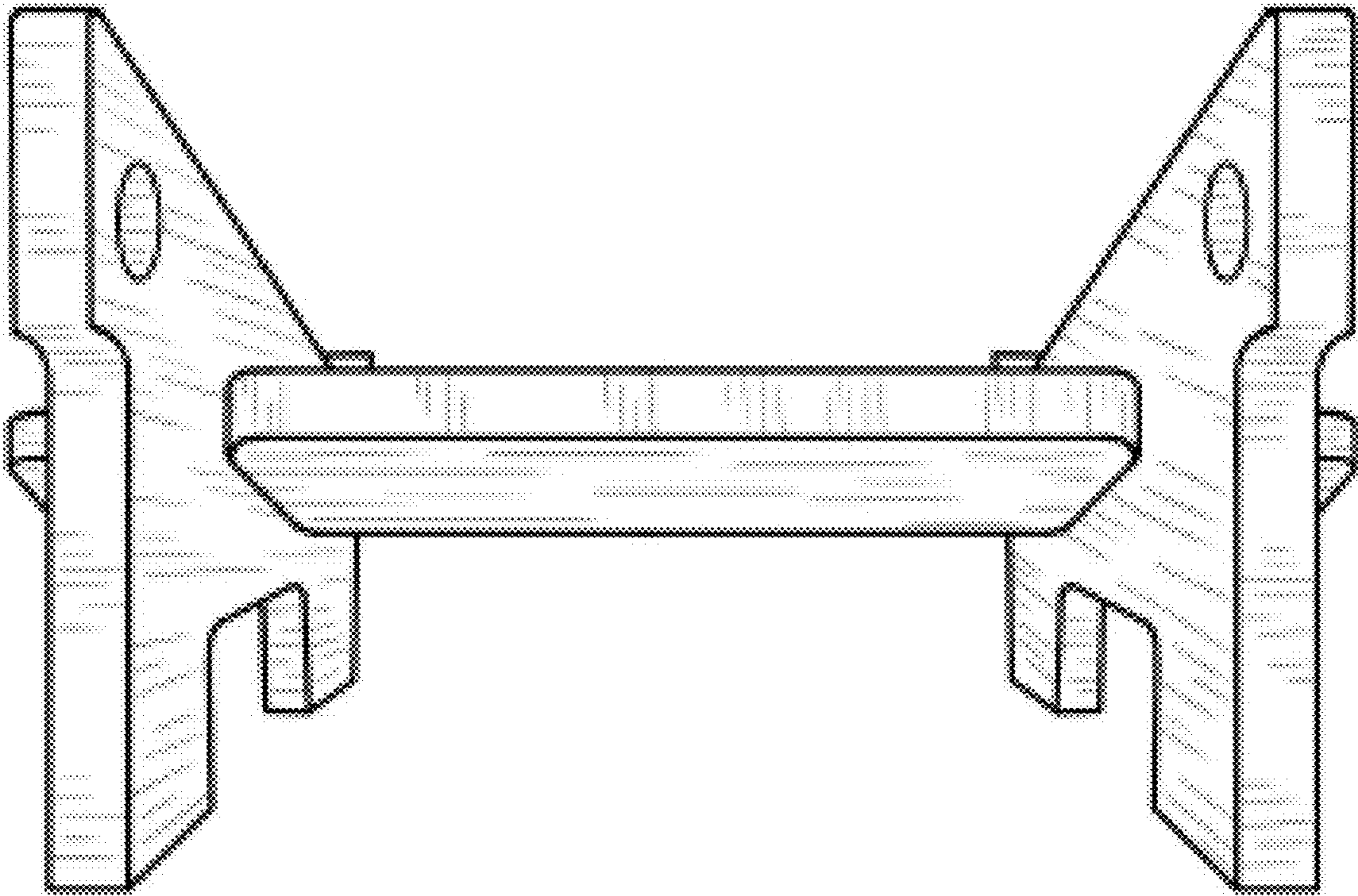


FIG. 3

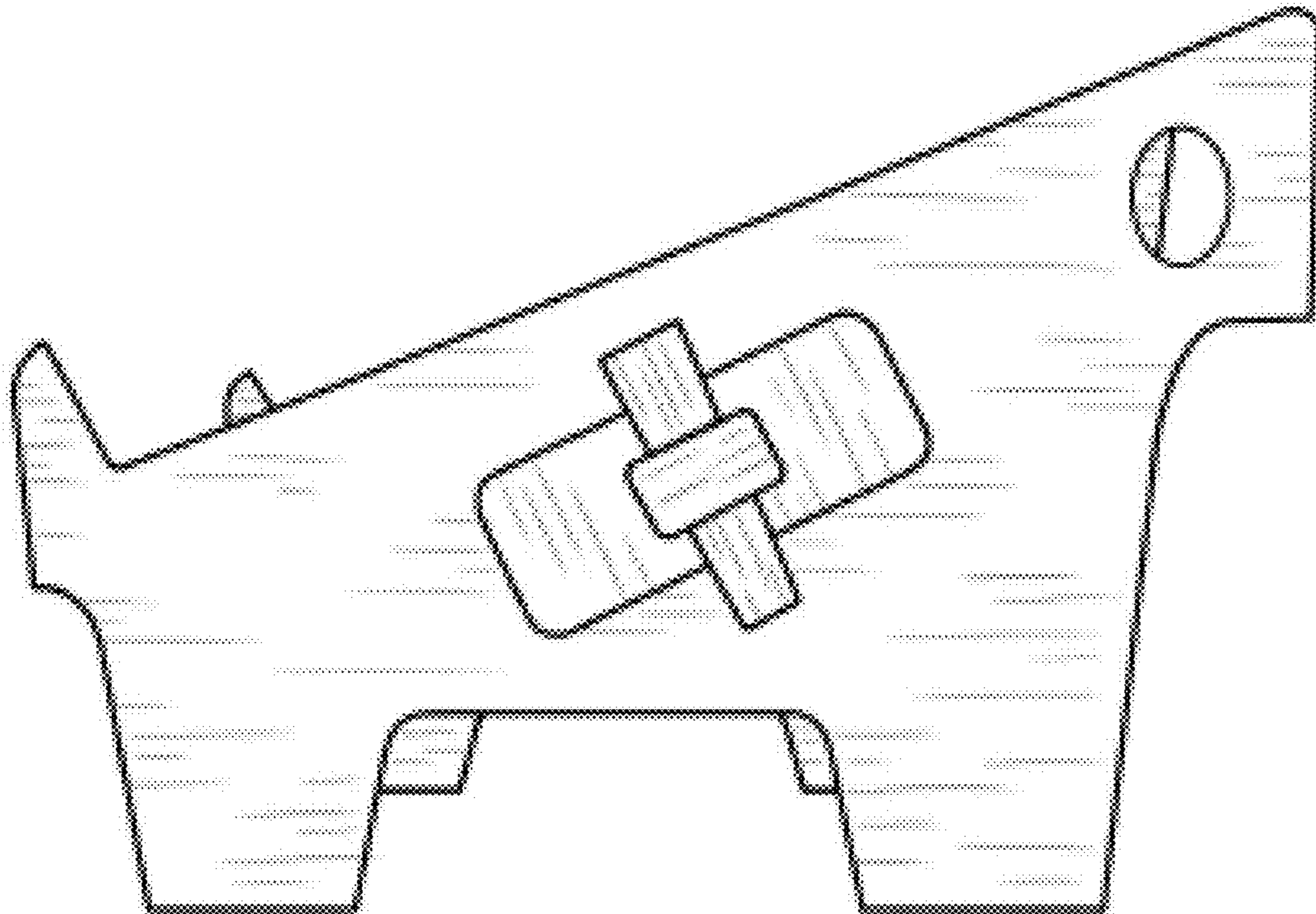


FIG. 4

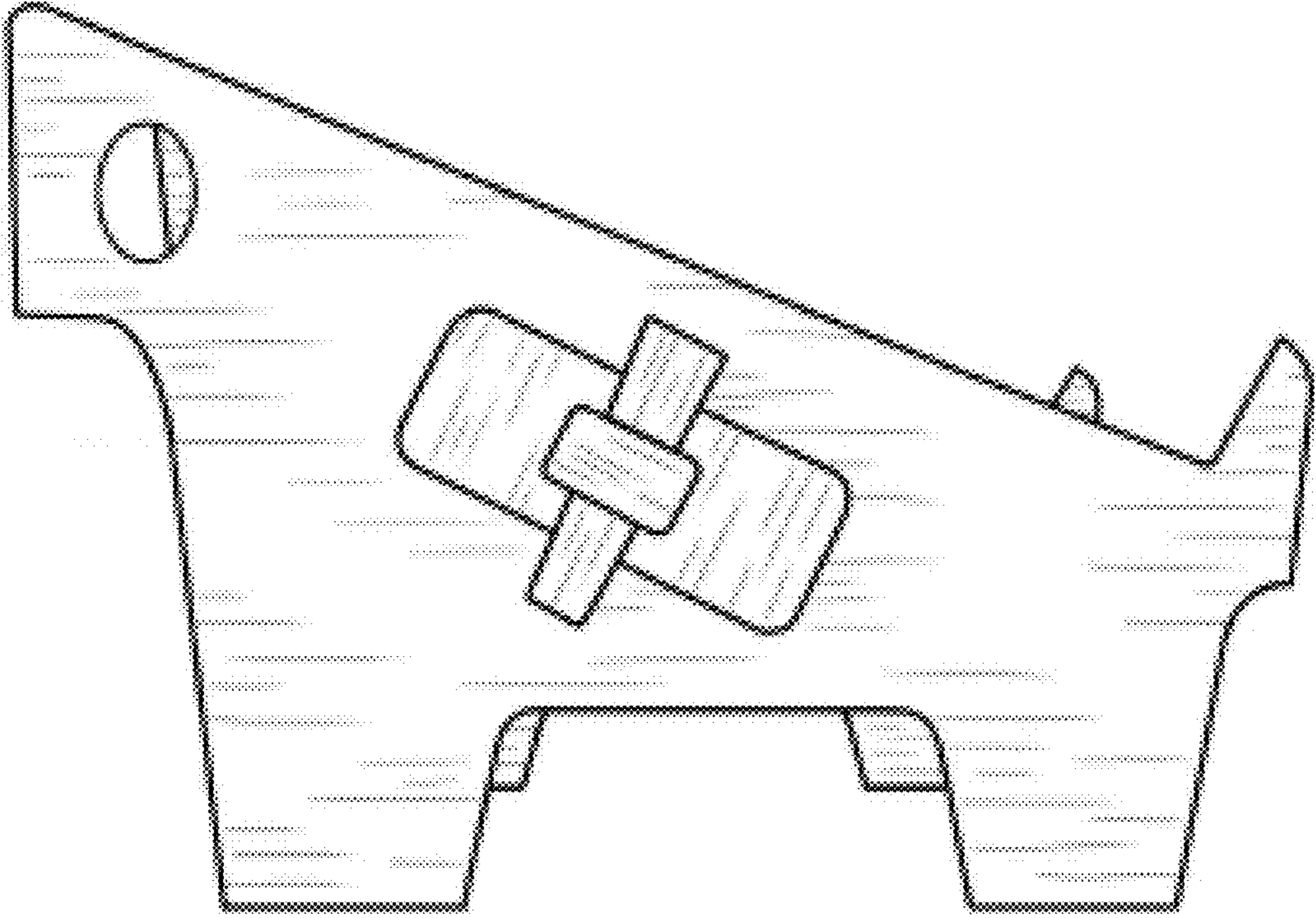


FIG. 5

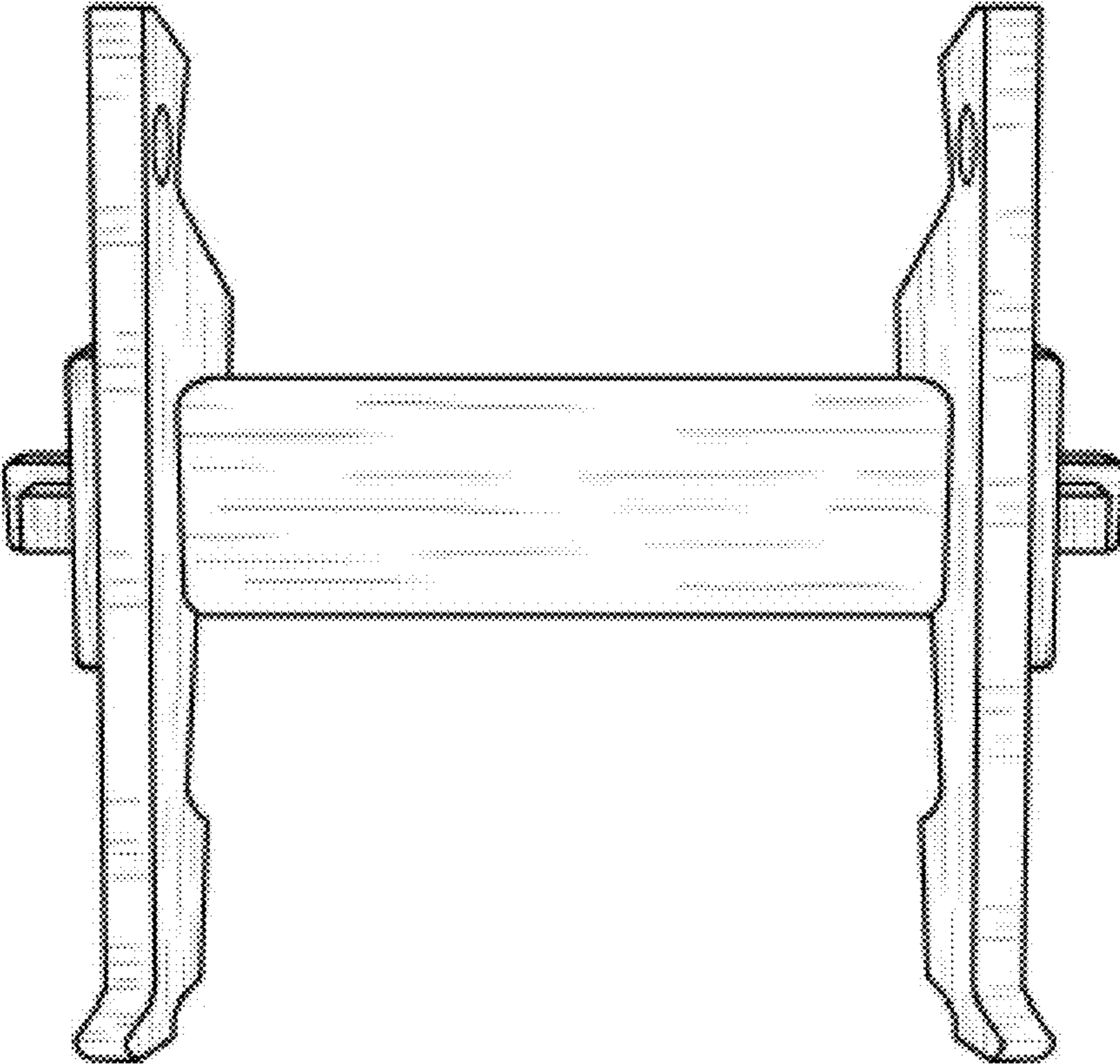


FIG. 6

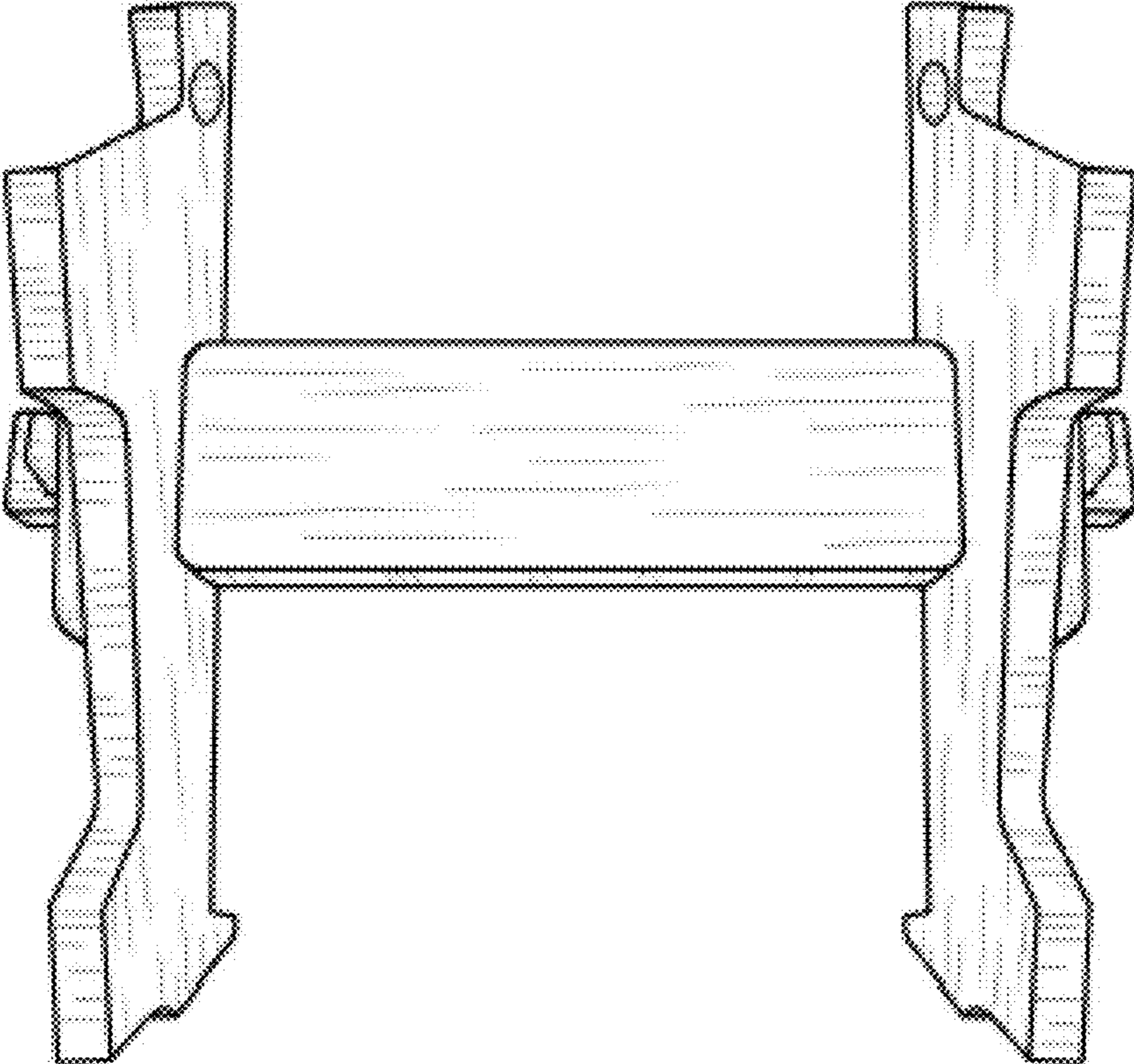


FIG. 7