



US00D918215S

(12) **United States Design Patent**
Hyun

(10) **Patent No.:** **US D918,215 S**

(45) **Date of Patent:** **** May 4, 2021**

- (54) **CASE FOR TABLET COMPUTER**
- (71) Applicant: **SPIGEN KOREA CO., LTD.**, Seoul (KR)
- (72) Inventor: **Young Kwang Hyun**, Seoul (KR)
- (73) Assignee: **SPIGEN KOREA CO., LTD.**, Seoul (KR)
- (**) Term: **15 Years**

- D684,568 S 6/2013 Fitzgerald
- D689,056 S * 9/2013 Li D14/440
- D690,704 S * 10/2013 Padilla D14/440
- D694,759 S 12/2013 Chang et al.
- D697,905 S 1/2014 Chang
- D698,343 S 1/2014 Chang et al.
- D698,767 S 2/2014 Son
- D700,172 S 2/2014 Li
- D702,672 S 4/2014 Mather
- D706,254 S 6/2014 Chang
- D714,273 S 9/2014 Kim et al.
- D716,281 S 10/2014 Melanson et al.

(Continued)

- (21) Appl. No.: **29/726,159**
- (22) Filed: **Feb. 28, 2020**
- (51) **LOC (13) Cl.** **14-02**
- (52) **U.S. Cl.**
USPC **D14/440**
- (58) **Field of Classification Search**
USPC D14/440, 447, 250; 206/45.23, 320,
206/45.2; 361/679.55; 294/25; 224/218
CPC ... G06F 1/1628; G06F 1/1626; A47B 23/044;
H04B 1/3888
See application file for complete search history.

OTHER PUBLICATIONS

“Caseology Vault for Apple iPhone 8 Case (2017)/for iPhone 7 Case (2016)—Rugged & Flexible—Matte Black”, <https://www.amazon.com/dp/B01JSZOJ7M>, Earliest review date of Sep. 10, 2016, Downloaded on Jan. 16, 2020.

(Continued)

Primary Examiner — Cynthia R Underwood
(74) *Attorney, Agent, or Firm* — Heedong Chae; Lucem, PC

(56) **References Cited**

U.S. PATENT DOCUMENTS

- D619,361 S 7/2010 Andre et al.
- D638,006 S 5/2011 Chang
- D646,265 S 10/2011 Fathollahi
- D648,332 S 11/2011 Kim et al.
- D650,371 S 12/2011 Wibby
- D654,491 S 2/2012 Melanson et al.
- D655,281 S 3/2012 Turocy
- D668,646 S 10/2012 Li
- D673,545 S 1/2013 Magness et al.
- D677,249 S 3/2013 Li
- D679,271 S 4/2013 Liu
- D679,692 S 4/2013 Fahrenedorff et al.
- D681,615 S 5/2013 Fathollahi
- D681,617 S 5/2013 Weller et al.
- D683,340 S 5/2013 Chang et al.

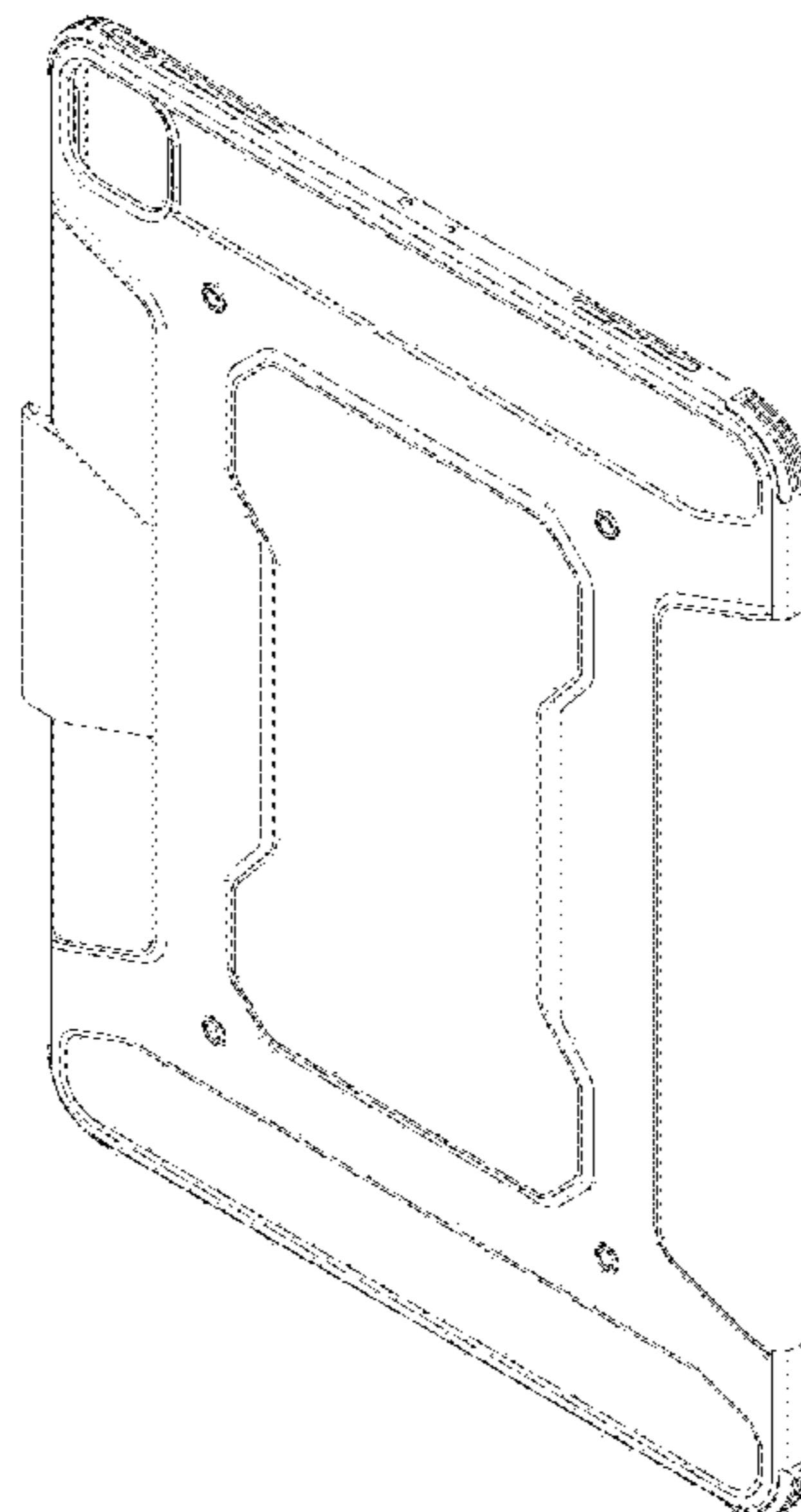
(57) **CLAIM**

The ornamental design for a case for tablet computer, as shown and described.

DESCRIPTION

FIG. 1 is a front perspective view of a case for tablet computer showing my new design; FIG. 2 is a rear perspective view thereof; FIG. 3 is a front elevational view thereof; FIG. 4 is a rear elevational view thereof; FIG. 5 is a left side elevational view thereof; FIG. 6 is a right side elevational view thereof; FIG. 7 is a top plan view thereof; and, FIG. 8 is a bottom plan view thereof.

1 Claim, 8 Drawing Sheets



(56)

References Cited

U.S. PATENT DOCUMENTS

D716,282 S	10/2014	Melanson et al.	D795,237 S	8/2017	Jung et al.
D716,783 S	11/2014	Loncar et al.	D797,715 S	9/2017	Kim
D717,774 S	11/2014	Fathollahi	D798,286 S	9/2017	Roberts et al.
D720,759 S	1/2015	Deng et al.	D798,288 S	9/2017	Babichenko
D721,070 S	1/2015	Pickett	D798,854 S	10/2017	Babichenko
D727,883 S	4/2015	Brand	D799,462 S	10/2017	Wright
D727,886 S	4/2015	Bertrand et al.	D800,104 S	10/2017	Kim
D727,917 S *	4/2015	Yeo D14/440	D800,105 S	10/2017	Roberts et al.
D731,481 S	6/2015	Akana et al.	D801,323 S	10/2017	Kim
D732,012 S	6/2015	Tsai	D801,324 S	10/2017	Kim
D733,154 S *	6/2015	Armstrong D14/440	D801,325 S	10/2017	Kim
D733,693 S	7/2015	Wang et al.	D801,959 S	11/2017	Kuo et al.
D739,391 S	9/2015	Chen et al.	D801,960 S	11/2017	Kim
D740,798 S	10/2015	Poon et al.	D803,221 S *	11/2017	Guo D14/440
D741,845 S	10/2015	Kim	D806,080 S *	12/2017	Chen D14/440
D743,387 S	11/2015	Choi	D807,336 S	1/2018	Kim
D746,273 S	12/2015	Herbst	D807,366 S *	1/2018	Chen D14/440
D746,274 S	12/2015	Herbst	D807,369 S *	1/2018	Chen D14/440
D747,707 S	1/2016	Roberts et al.	D808,369 S	1/2018	Kim
D748,614 S	2/2016	Ju	D808,370 S	1/2018	Kim
D749,068 S	2/2016	Zaborski et al.	D808,371 S	1/2018	Kim
D749,535 S	2/2016	Joung et al.	D808,973 S *	1/2018	Chen D14/440
D749,555 S	2/2016	Poon et al.	D811,412 S *	2/2018	McCurdy D14/440
D749,557 S	2/2016	Feng	D812,599 S	3/2018	Hyun
D752,052 S *	3/2016	Park D14/440	D812,600 S	3/2018	Altaras
D756,343 S	5/2016	Wall	D812,618 S	3/2018	Altaras
D756,345 S	5/2016	Roberts et al.	D812,619 S	3/2018	Altaras
D756,909 S	5/2016	Gupta	D812,620 S *	3/2018	Cheng D14/440
D756,910 S	5/2016	Gupta	D813,217 S	3/2018	Kim
D756,911 S	5/2016	Gupta	D813,219 S	3/2018	Hyun
D757,704 S	5/2016	Roberts et al.	D815,627 S	4/2018	Cho et al.
D761,239 S	7/2016	Kim	D816,073 S	4/2018	Kim et al.
D763,241 S	8/2016	Kim	D816,651 S	5/2018	Chiang et al.
D763,242 S	8/2016	Kim	D816,653 S	5/2018	Yu
D763,837 S	8/2016	Choe et al.	D816,654 S	5/2018	Chen
D763,842 S	8/2016	Chang et al.	D819,006 S	5/2018	Kim
D763,853 S *	8/2016	Pearce D14/440	D821,405 S *	6/2018	Chen D14/440
D765,627 S	9/2016	Watt	D824,377 S	7/2018	Kim et al.
D765,635 S	9/2016	Chang et al.	D826,929 S	8/2018	Andre et al.
D765,638 S	9/2016	Gaylord et al.	D831,017 S	10/2018	Choe et al.
D765,640 S	9/2016	Bulkley et al.	D831,018 S	10/2018	Kim
D765,641 S	9/2016	Bulkley et al.	D831,019 S	10/2018	Kim
D765,642 S	9/2016	Bulkley	D831,020 S	10/2018	Kim
D765,645 S	9/2016	Kim	D831,636 S	10/2018	Zhu
D766,227 S	9/2016	Wu	D833,426 S	11/2018	Yun
D766,249 S *	9/2016	Veltz D14/440	D834,571 S	11/2018	Ravid
D767,485 S	9/2016	To et al.	D835,611 S	12/2018	Yun
D767,554 S	9/2016	Bertrand et al.	D837,194 S	1/2019	Roberts et al.
D771,611 S	11/2016	Chang et al.	D837,196 S	1/2019	Kim
D772,854 S	11/2016	Igarashi	D837,777 S	1/2019	Yun
D772,856 S	11/2016	Taylor et al.	D837,778 S	1/2019	Yun
D772,858 S	11/2016	Hu	D837,779 S	1/2019	Kim
9,480,319 B2	11/2016	Dining et al.	D838,264 S	1/2019	Wright et al.
D773,447 S	12/2016	Taylor	D838,706 S	1/2019	Li et al.
D775,614 S	1/2017	Kim	D838,709 S	1/2019	Yun
D776,098 S	1/2017	Poon	D838,710 S	1/2019	Wang
D776,647 S	1/2017	Kim	D839,255 S	1/2019	Roberts et al.
D777,157 S	1/2017	Kim	D839,861 S	2/2019	Kim
D777,160 S	1/2017	Kim	D840,991 S	2/2019	Kim
D777,717 S	1/2017	Kim	D840,992 S	2/2019	Kim
D781,835 S	3/2017	Kim et al.	D840,993 S	2/2019	Kim
D781,840 S	3/2017	Kim et al.	D843,360 S	3/2019	Han et al.
D782,460 S	3/2017	Bertrand et al.	D843,993 S	3/2019	Jeong et al.
D783,602 S	4/2017	Akana et al.	D843,994 S	3/2019	Jeong et al.
D784,309 S	4/2017	Lee et al.	D845,943 S	4/2019	Skovsted et al.
D784,311 S	4/2017	Yoon	D845,944 S	4/2019	Gronewoller et al.
D784,350 S *	4/2017	Li D14/440	D845,945 S	4/2019	Bohman et al.
D785,615 S	5/2017	Kim et al.	D847,129 S	4/2019	To et al.
D786,849 S	5/2017	Park et al.	D847,806 S	5/2019	Kim
D786,853 S	5/2017	Friedland et al.	D847,807 S	5/2019	Wright et al.
D788,090 S	5/2017	Kim	D850,431 S	6/2019	Igarashi
D788,093 S	5/2017	Lee et al.	D852,200 S *	6/2019	Chan D14/440
D790,526 S	6/2017	Babichenko	D854,022 S *	7/2019	Chen D14/440
D790,550 S *	6/2017	Chen D14/440	D860,212 S *	9/2019	Ahn D14/440
D792,394 S	7/2017	Lee et al.	D862,442 S *	10/2019	Wei D14/250
			D862,478 S *	10/2019	Ahn D14/440
			D862,479 S *	10/2019	Ahn D14/440
			D862,480 S *	10/2019	Chan D14/440

(56)

References Cited

U.S. PATENT DOCUMENTS

2011/0050606 A1 3/2011 Zhang
 2012/0075799 A1* 3/2012 Pollex F16M 11/041
 361/679.56
 2017/0045920 A1* 2/2017 Armstrong G06F 1/1669

OTHER PUBLICATIONS

“The best iPhone 7 & 7 Plus cases available now”, <https://9to5mac.com/2016/09/07/best-iphone-7-7-plus-cases-accessories-available-now/>, Earliest review date of Sep. 17, 2016, Downloaded on Mar. 18, 2020.

“Caseology Vault for Google Pixel Case (2016)—Rugged & Flexible—Black”, <https://www.amazon.com/dp/B01MEDIMGS>, Earliest review date of Nov. 10, 2016, Downloaded on Jan. 16, 2020.

“Caseology Vault for Apple iPhone 7 Plus Case (2016)—Rugged Matte Finish—Black”, <https://www.amazon.com/dp/B01N2OCQV4>, Earliest review date of Dec. 16 2016, Downloaded on Jan. 16, 2020.

“Caseology Vault for LG G6 Case (2017) - Rugged Matte Finish—Black”, <https://www.amazon.com/dp/B06W52JLH>, Earliest review date of Mar. 28, 2017, Downloaded on Jan. 16, 2020.

“Caseology Nero Tough for iPhone 8 Plus Case (2017)/iPhone 7 Plus Case (2016)—360 Protection—Black”, <https://www.amazon.com/dp/B07534JMM2>, Earliest review date of Aug. 23, 2017, Downloaded on Nov. 19, 2019.

“Spigen Rugged Armor Galaxy S6 Case with Resilient Shock Absorption and Carbon Fiber Design for Galaxy S6 2015—Black”, <https://www.amazon.com/dp/B00T6P05ZK>, Earliest review date of Mar. 10, 2015, Downloaded on Jul. 17, 2018.

“Spigen Rugged Armor Galaxy S6 Edge Case with Flexible and Durable Shock Absorption with Carbon Fiber Design for Samsung Galaxy S6 Edge (2015)—Black”, <https://www.amazon.com/dp/B00SVCITW0>, Earliest review date of Mar. 13, 2015, Downloaded on Jul. 17, 2018.

“Spigen Rugged Armor Galaxy Note 5 Case with Resilient Shock Absorption and Carbon Fiber Design for Galaxy Note 5 2015—Black”, <https://www.amazon.com/dp/B010MWFUBY>, Earliest review date of Aug. 23, 2015, Downloaded on Jul. 17, 2018.

“Spigen Rugged Armor iPhone 6S Case with Resilient Shock Absorption and Carbon Fiber Design for iPhone 6S/iPhone 6—Black”, <https://www.amazon.com/dp/B010MVJM5K>, Earliest review date of Sep. 3, 2015, Downloaded on Jul. 17, 2018.

“Spigen Rugged Armor iPhone 6S Plus Case with Resilient Shock Absorption and Carbon Fiber Design for iPhone 6S Plus 2015—Black”, <https://www.amazon.com/dp/B010MVR76Q>, Earliest review date of Sep. 7, 2015, Downloaded on Jul. 17, 2018.

“Spigen Tough Armor TECH iPhone 6S Case with Extreme Shock and Drop Protection for Apple iPhone 6/6S—Gunmetal”, <https://www.amazon.com/Spigen-Tough-iPhone-Extreme-Protection/dp/B013TKNSIS>, Earliest review date of Oct. 3, 2015, Downloaded on Jan. 15, 2019.

“Spigen Rugged Armor Samsung Galaxy S7 Case with Resilient Shock Absorption and Carbon Fiber Design for Samsung Galaxy S7 2016 - Black”, <https://www.amazon.com/Spigen-Rugged-Designed-Samsung-Galaxy/dp/B01A7ICWTQ>, Earliest review date of Feb. 25, 2016, Downloaded on Jul. 17, 2018.

“Spigen Rugged Armor Galaxy S7 Edge Case with Flexible and Durable Shock Absorption with Carbon Fiber Design for Samsung Galaxy S7 Edge (2016)—Black”, <https://www.amazon.com/Spigen-Rugged-Designed-Samsung-Galaxy/dp/B01A7IDHOU>, Earliest review date of Feb. 28, 2016, Downloaded on Jul. 17, 2018.

“Spigen Rugged Armor Galaxy A5 Case with Resilient Shock Absorption and Carbon Fiber Design for Galaxy A5—Black”, <https://www.amazon.com/Spigen-Rugged-Designed-Samsung-Galaxy/dp/B018J07A46>, Earliest review date of Mar. 18, 2016, Downloaded on Jul. 17, 2018.

“Spigen Rugged Armor iPhone SE Case with Resilient Shock Absorption and Carbon Fiber Design for iPhone SE 2016—Black”,

<https://www.amazon.com/Spigen-Rugged-iPhone-Resilient-Absorption/dp/B01BEDNUDK>, Earliest review late of Apr. 10, 2016, Downloaded on Jan. 15, 2019.

“Spigen Rugged Armor Honor 5X Case with Resilient Shock Absorption and Carbon Fiber Design for Huawei Honor 5X—Black”, <https://www.amazon.com/Spigen-Rugged-Resilient-Absorption-Carbon/dp/B01DJHDXD2>, Earliest review late of May 1, 2016, Downloaded on Jan. 15, 2019.

“Spigen Rugged Armor HTC 10 Case with Resilient Shock Absorption and Carbon Fiber Design for HTC 10 2016—Black”, <https://www.amazon.com/dp/B01DAN1T4E>, Earliest review date of May 4, 2016, Downloaded on Jul. 18, 2018.

“Spigen Rugged Armor Huawei P8 Lite Case with Resilient Shock Absorption and Carbon Fiber Design for Huawei P8 Lite (2015)—Black”, <https://www.amazon.com/dp/B01DL0DME6>, Earliest review date of Jun. 1, 2016, Downloaded on Jul. 18, 2018.

“Spigen Rugged Armor OnePlus 3 Case/OnePlus 3T Case with Resilient Shock Absorption and Carbon Fiber Design for OnePlus 3 2016—Black”, <https://www.amazon.com/dp/B01H3PEWDK>, Earliest review date of Jul. 28, 2016, Downloaded on Jul. 17, 2018.

“Spigen Rugged Armor iPhone 8 Case/iPhone 7 Case with Resilient Shock Absorption and Carbon Fiber Design for Apple iPhone 8 (2017)/iPhone 7 (2016)—Black”, <https://www.amazon.co.uk/Spigen-Rugged-iPhone-Resilient-Absorption/dp/B01GIVX7TA>, Earliest review date of Aug. 2, 2016, downloaded on Oct. 24, 2018.

“Spigen Rugged Armor iPhone 8 Plus/iPhone 7 Plus Case with Resilient Shock Absorption and Carbon Fiber Design for Apple iPhone 8 Plus (2017)/iPhone 7 Plus (2016)—Black”, <https://www.amazon.com/dp/B01GIWGAAC>, Earliest review date of Sep. 2, 2016, Downloaded on Jul. 17, 2018.

“Spigen Rugged Armor Huawei P9 Lite Case with Resilient Shock Absorption and Carbon Fiber Design for Huawei P9 Lite—Black”, <https://www.amazon.com/B01DL0DJGM>, Earliest review date of Sep. 6, 2016, Downloaded on Jul. 18, 2018.

“Spigen Rugged Armor iPhone 8 Case/iPhone 7 Case with Resilient Shock Absorption and Carbon Fiber Design for Apple iPhone 8 (2017)/iPhone 7 (2016)—Black”, <https://www.amazon.com/dp/B01GIVX7TA>, Earliest review date of Sep. 11, 2016, Downloaded on Jul. 17, 2018.

“Spigen Rugged Armor Google Pixel XL Case with Resilient Shock Absorption and Carbon Fiber Design for Google Pixel XL 2016—Black”, <https://www.amazon.com/dp/B01M1EEXWJ>, Earliest review date of Oct. 2, 2016, Downloaded on Jul. 17, 2018.

“Spigen Rugged Armor LG V20 Case with Resilient Shock Absorption and Carbon Fiber Design for LG V20 2016—Black”, <https://www.amazon.com/dp/B01M0HW9P4>, Earliest review date of Oct. 19, 2016, Downloaded on Jul. 18, 2018.

“Spigen Rugged Armor Honor 8 Case with Resilient Shock Absorption for Huawei Honor 8 2016—Black”, <https://www.amazon.com/dp/B01LXTROW1>, Earliest review date of Oct. 20, 2016, Downloaded on Jul. 18, 2018.

“Spigen Rugged Armor Moto Z Droid Case with Resilient Shock Absorption and Carbon Fiber Design for Moto Z Droid 2016—Black”, <https://www.amazon.com/dp/B01HCACIMBQ>, Earliest review date of Dec. 9, 2016, Downloaded on Jul. 17, 2018.

“Spigen Rugged Armor Galaxy A3 2016 Case with Resilient Shock Absorption and Carbon Fiber Design for Galaxy A3 2016—Black”, <https://www.amazon.com/Spigen-Rugged-Armor-Samsung-Galaxy/dp/B01HFMYLIC>, Earliest review date of Dec. 18, 2016, Downloaded on Jul. 17, 2018.

“Spigen Rugged Armor ZenFone 3 Max Case (ZC520TL) with Resilient Shock Absorption and Carbon Fiber Design for ASUS ZenFone 3 Max (ZC520TL)—Black”, <https://www.amazon.com/dp/B01MSDJQ7C>, Earliest review date of Mar. 9, 2017, Downloaded on Jul. 18, 2018.

“Spigen Rugged Armor Extra Designed for LG G6 Case (2017)/Designed for LG G6 Plus (2017)—Black”, <https://www.amazon.com/Spigen-Rugged-Resilient-Absorption-Carbon/dp/B01N6T9PHS>, Earliest review date of Mar. 28, 2017, Downloaded on Jan. 9, 2020.

“Spigen Rugged Armor LG G6 Case/G6 Plus Case with Resilient Shock Absorption and Carbon Fiber Design for LG G6/G6 Plus

(56)

References Cited

OTHER PUBLICATIONS

(2017)—Black”, <https://www.amazon.com/dp/B01MUCZILA>, Earliest review date of Mar. 30, 2017, Downloaded on Jul. 18, 2018.

“Spigen Rugged Armor Galaxy S8 Plus Case with Resilient Shock Absorption and Carbon Fiber Design for Galaxy S8 Plus (2017)—Black”, <https://www.amazon.com/Spigen-Rugged-Designed-Samsung-Galaxy/dp/B06XNW4ZVJ>, Earliest review date of Apr. 3, 2017, Downloaded on Jul. 17, 2018.

“Spigen Rugged Armor Galaxy S8 Case with Resilient Shock Absorption and Carbon Fiber Design for Samsung Galaxy S8 (2017)—Black”, <https://www.amazon.com/Spigen-Rugged-Designed-Samsung-Galaxy/dp/B06XNNJ4KM>, Earliest review date of Apr. 7, 2017, Downloaded on Jul. 17, 2018.

Spigen, “Spigen Rugged Armor Extra”, <https://www.youtube.com/watch?v=ILUEjn1P2hk>, Published May 26, 2017, downloaded on Jan. 9, 2020.

“Spigen Rugged Armor Huawei P10 Plus Case with Resilient Shock Absorption and Carbon Fiber Design for Huawei P10 Plus(2017)—Rugged Armor”, <https://www.amazon.com/dp/B06XFZW779>, Earliest review date of May 26, 2017, Downloaded on Jul. 18, 2018.

“Spigen Rugged Armor Galaxy J7 2017 Case, J7 Prime, J7 2017(AT &T), J7 Sky Pro, J7 Perx case with Resilient Shock Absorption and Carbon Fiber Design for Samsung Galaxy J7 V 2017—Black”, <https://www.amazon.com/Spigen-Rugged-Resilient-Absorption-Samsung/dp/B06WRRF36B>, Earliest review date of May 31, 2017, Downloaded on Jan. 15, 2019.

“Spigen Rugged Armor Huawei P10 Lite Case with Resilient Shock Absorption and Carbon Fiber Design for Huawei P10 Lite (2017)—Black”, <https://www.amazon.com/dp/B06XC�Q3S4>, Earliest review date of Jun. 7, 2017, Downloaded on Jul. 18, 2018.

“Spigen Rugged Armor Huawei P10 Case with Resilient Shock Absorption and Carbon Fiber Design for Huawei P10 Lite (2017)—Black”, <https://www.amazon.com/dp/B06XCTQR1W>, Earliest review date of Jun. 8, 2017, Downloaded on Jul. 18, 2018.

“Spigen Rugged Armor HTC U11 Case with Resilient Shock Absorption and Carbon Fiber Design for HTC U 11 (2017)—Black”, <https://www.amazon.com/dp/B07234FLGX>, Earliest review date of Jun. 17, 2017, Downloaded on Jul. 18, 2018.

“Spigen Rugged Armor Huawei P8 Lite 2017 Case with Resilient Shock Absorption and Carbon Fiber Design for Huawei P8 Lite (2017)/nova lite/P9 lite 2017/Honor 8 lite—Black”, <https://www.amazon.com/dp/B06XFVXMLN>, Earliest review date of Jun. 24, 2017, Downloaded on Jul. 18, 2018.

“Spigen Rugged Armor Extra Galaxy Temp Case with Resilient Shock Absorption and Carbon Fiber Design for Galaxy Temp (2017)—Black”, <https://www.amazon.com/Spigen-Rugged-Galaxy-Resilient-Absorption/dp/B01MTEQVNB>, Earliest review date of Jul. 6, 2017, downloaded on Jan. 9, 2020.

“Spigen Rugged Armor Sony Xperia XZ Premium Case with Resilient Shock Absorption and Carbon Fiber Design for Sony Xperia XZ Premium (2017)—Black”, <https://www.amazon.com/dp/B072PRXPQC>, Earliest review date of Jul. 14, 2017, Downloaded on Jul. 18, 2018.

“Spigen Rugged Armor OnePlus 5 Case with Resilient Shock Absorption and Carbon Fiber Design for OnePlus 5 (2017)—Black”, <https://www.amazon.com/dp/B06XG19W3G>, Earliest review date of Jul. 25, 2017, Downloaded on Jul. 17, 2018.

“Spigen Rugged Armor Moto Z2 Play Case with Resilient Shock Absorption and Carbon Fiber Design for Moto Z2 Play—Black”, <https://www.amazon.com/dp/B071WR4H9V>, Earliest review date of Jul. 27, 2017, Downloaded on Jul. 17, 2018.

“Spigen Rugged Armor Galaxy Note 8 Case with Resilient Shock Absorption and Carbon Fiber Design for Galaxy Note 8 (2017)—Matte Black”, <https://www.amazon.com/Spigen-Rugged-Galaxy-Resilient-Absorption/dp/B073RWJ6Z7>, Earliest review date of Aug. 26, 2017, Downloaded on Jan. 15, 2019.

“Spigen Rugged Armor Galaxy Note 8 Case with Resilient Shock Absorption and Carbon Fiber Design for Galaxy Note 8 (2017)—Matte Black”, <https://www.amazon.com/Spigen-Rugged-Designed-Samsung-Galaxy/dp/B073RWJ6Z7>, Earliest review date of Aug. 26, 2017, Downloaded on Jul. 17, 2018.

“Spigen Rugged Armor Moto E4 Case with Resilient Shock Absorption and Carbon Fiber Design for Moto E4 (2017)—Black”, <https://www.amazon.com/Spigen-Rugged-Armor-Designed-Motorola/dp/B073RVC6YY>, Earliest review date of Sep. 5, 2017, Downloaded on Jul. 17, 2018.

“Spigen Rugged Armor Extra Designed for Apple iPhone 7 Case (2016)—Black”, <https://www.amazon.com/Spigen-Rugged-iPhone-Resilient-Absorption/dp/B06XC8WL7P>, Earliest review date of Sep. 7, 2017, downloaded on Jan. 9, 2020.

“Spigen Rugged Armor Moto Z2 Force Case with Resilient Shock Absorption and Carbon Fiber Design for Moto Z2 Force (2017)—Black”, <https://www.amazon.com/Spigen-Rugged-Resilient-Absorption-Carbon/dp/B074BCC6K7>, Earliest review date of Sep. 23, 2017, downloaded on Jul. 17, 2018.

“Spigen Tough Armor TECH with Custom-Fit Tempered Glass Designed for iPad 9.7Case iPad 5th/6thGeneration Case(2017/2018)”, <https://www.amazon.com/dp/B07DHXZXC4>, Earliest review date of Jun. 4, 2018, Downloaded on Sep. 10, 2020.

“Spigen Rugged Armor Pro Designed for Apple Watch Case for 42mm Series 3/2/1/Original (2015)—Black”, <https://www.amazon.com/dp/B075FJCM4G>, Earliest review date of Jun. 19, 2018, Downloaded on Jun. 16, 2020.

“Spigen Rugged Armor Pro Designed for Apple Watch Case for 38mm Series 3/2/1/Original (2015)—Black”, <https://www.amazon.com/dp/B075FK5CTW>, Earliest review date of Jul. 10, 2018, Downloaded on Jun. 16, 2020.

“Spigen Rugged Armor Designed for Apple iPhone Xs MAX Case (2018)—Matte Black”, <https://www.amazon.com/dp/B07GT9VYKF>, Earliest review date of Sep. 21, 2018, Downloaded on Jan. 15, 2019.

“Spigen Rugged Armor Designed for Google Pixel 3 XL Case (2018)—Black”, <https://www.amazon.com/dp/B07H5T6DQ8>, Earliest review date of Oct. 13, 2018, Downloaded on Jan. 15, 2019.

“Spigen Rugged Armor Designed for Google Pixel 3 Case (2018)—Black”, <https://www.amazon.com/dp/B07H5S33FL>, Earliest review date of Oct. 14, 2018, Downloaded on Jan. 15, 2019.

“Spigen Rugged Armor Designed for Apple iPhone XR Case (2018)—Matte Black”, <https://www.amazon.com/dp/B07GJKPM1D>, Earliest review date of 20181020, Downloaded on 20190115.

“Spigen Rugged Armor Designed for LG V40 ThinQ Case (2018)—Black”, <https://www.amazon.com/dp/B07GQBN1MX>, Earliest review date of Oct. 21, 2018, Downloaded on Jan. 15, 2019.

“Spigen Rugged Armor Pro Designed for Apple Watch Case with Band for 44mm Series 5/Series 4—Black”, <https://www.amazon.com/dp/B07HSSDV4S>, Earliest review date of Nov. 24, 2018, Downloaded on Jun. 16, 2020.

“Spigen Rugged Armor Designed for Xiaomi POCOPHONE F1 Case (2018)—Matte Black”, <https://www.amazon.com/dp/B07H4XT67N/>, Earliest review date of Dec. 28, 2018, Downloaded on Jan. 15, 2019.

“Spigen Rugged Armor Designed for Samsung Galaxy S10 Plus Case (2019)—Matte Black”, <https://www.amazon.com/dp/B07MJQYDYB>, Earliest review date of Feb. 21, 2019, Downloaded on Oct. 3, 2019.

* cited by examiner

FIG. 1

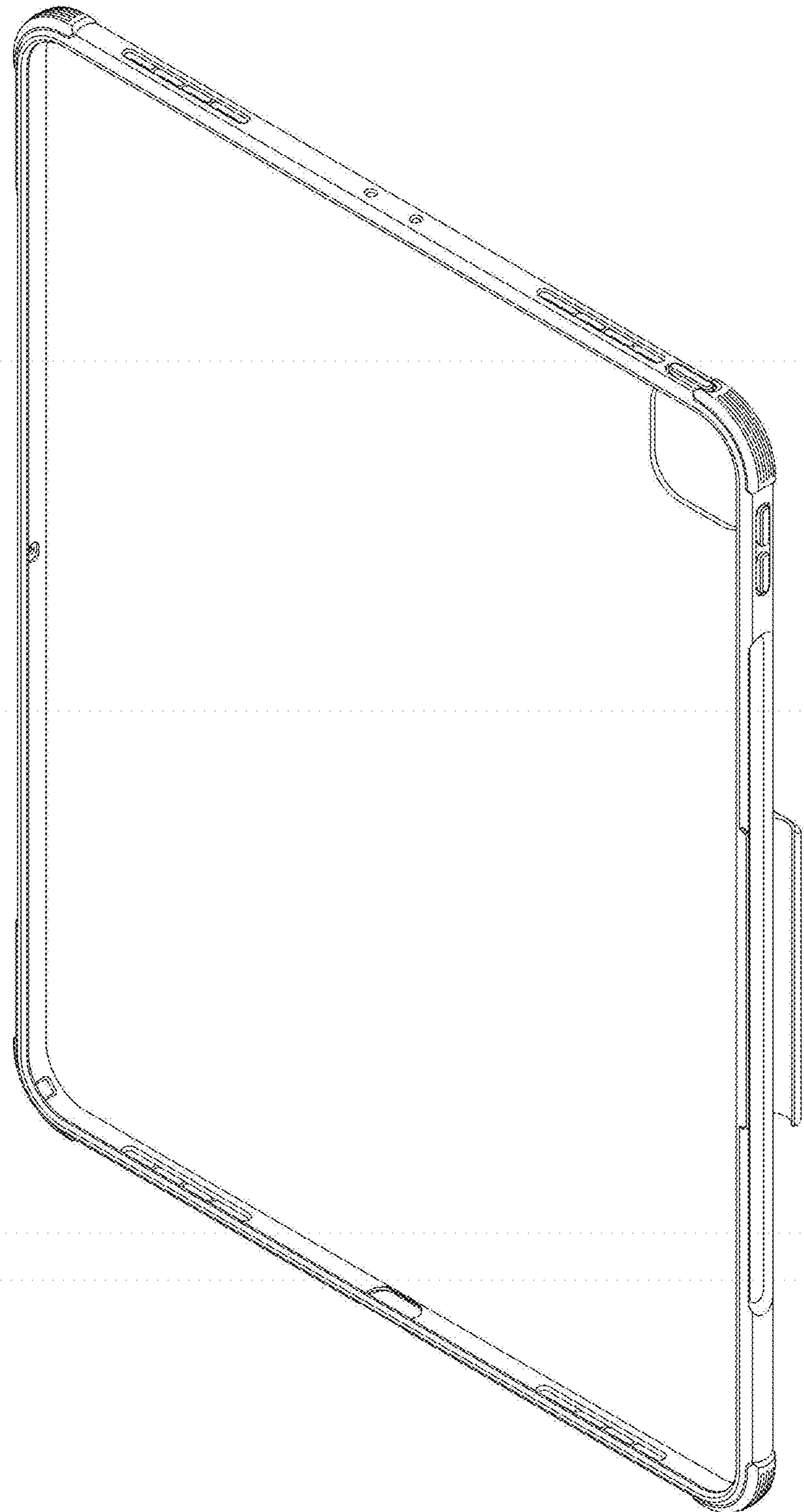


FIG. 2

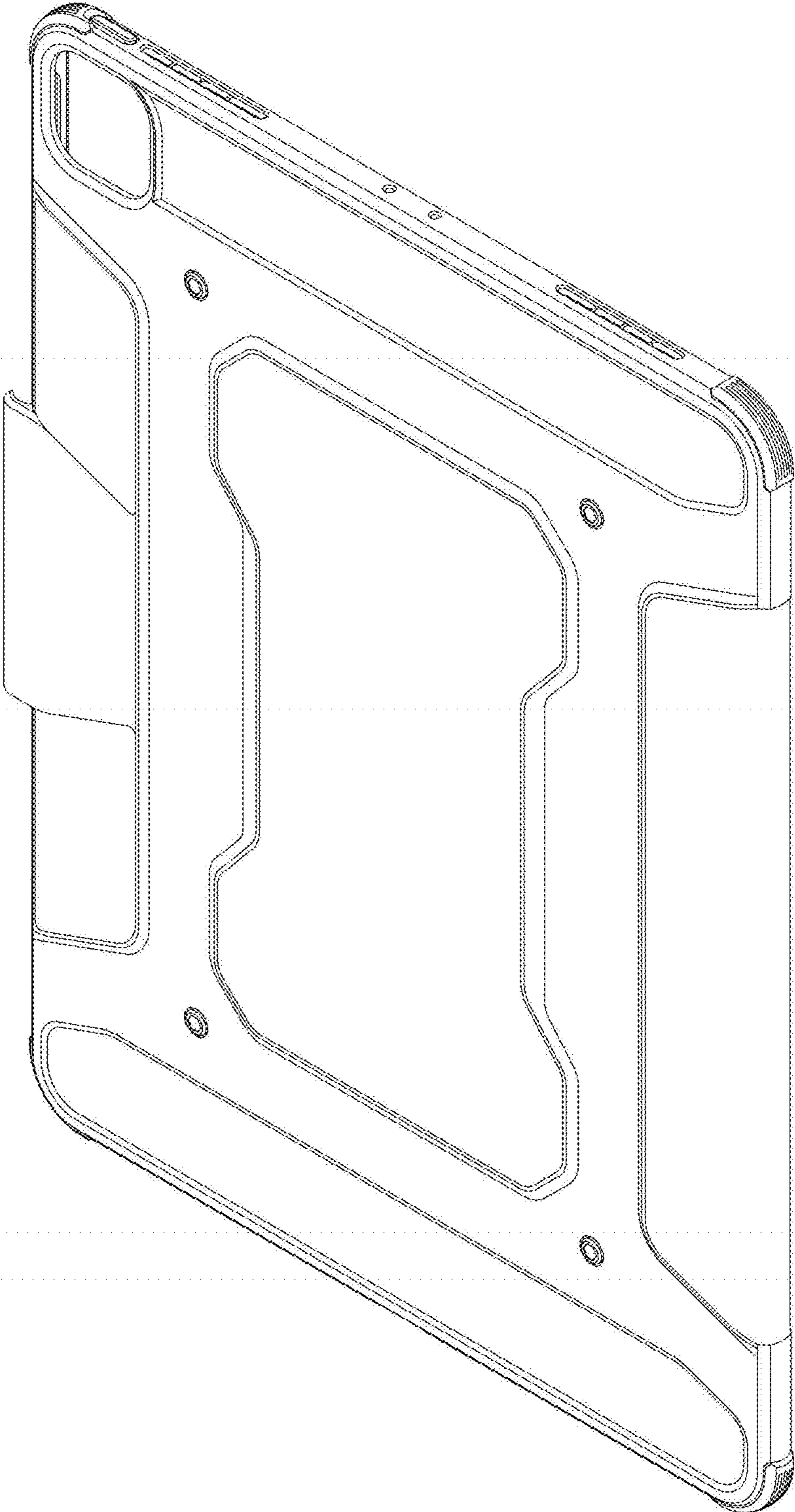


FIG. 3

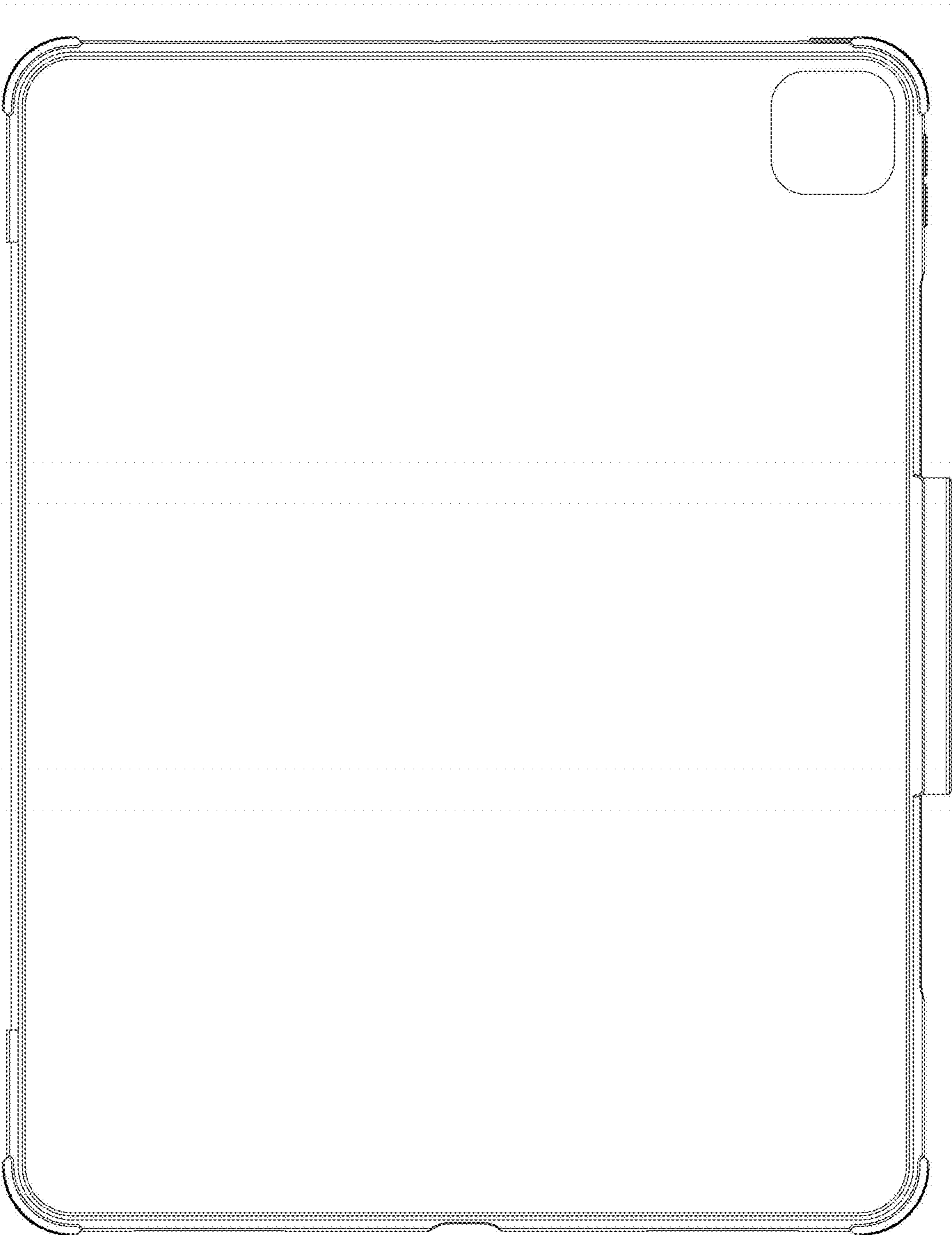


FIG. 4

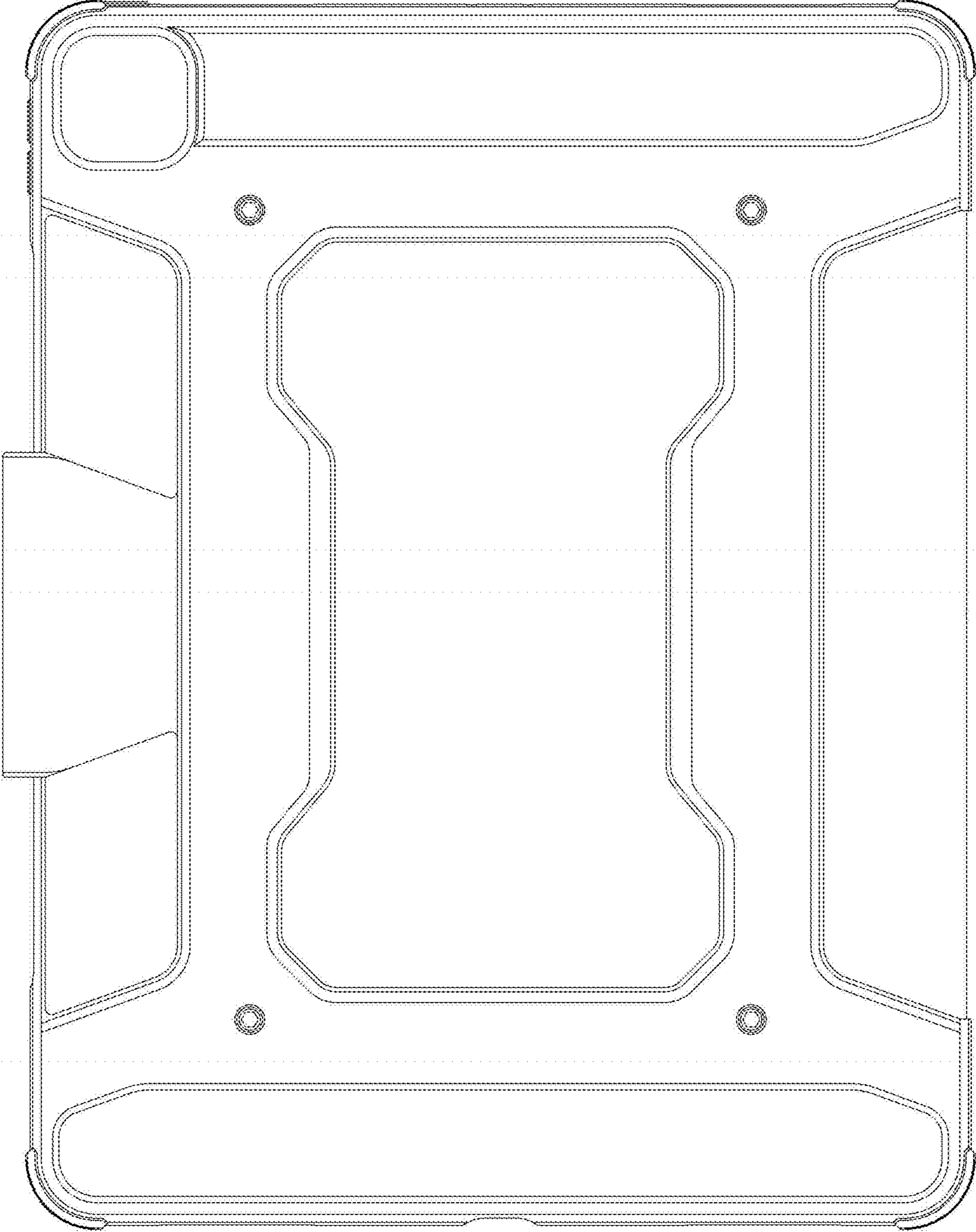


FIG. 5

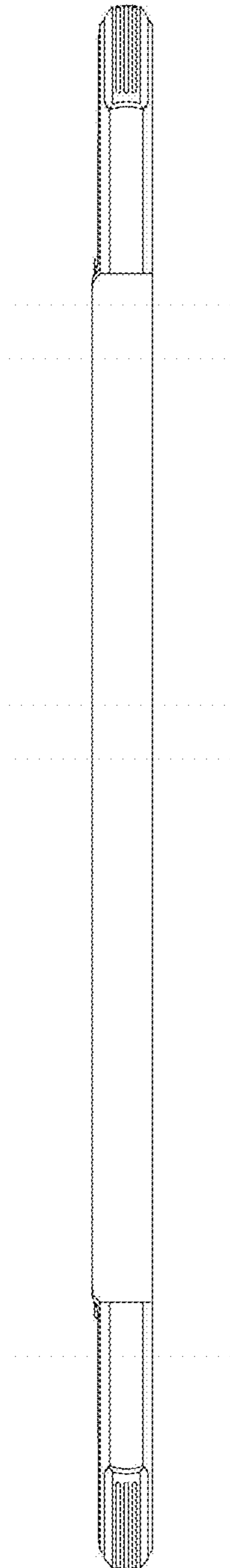


FIG. 6

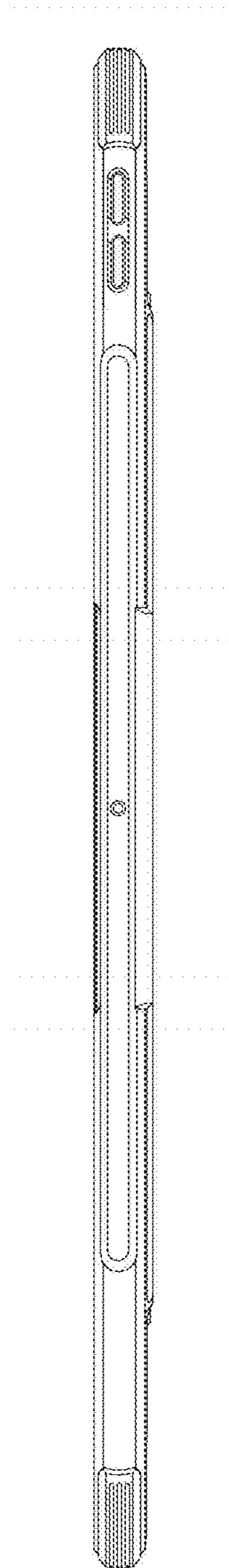


FIG. 7

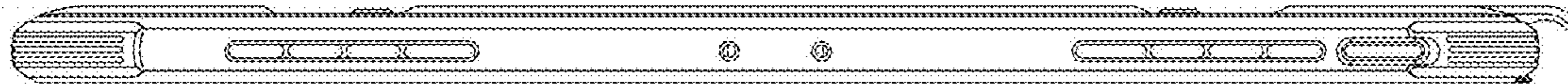


FIG. 8

