



US00D918214S

(12) **United States Design Patent**  
**Chen**

(10) **Patent No.:** **US D918,214 S**

(45) **Date of Patent:** **\*\* May 4, 2021**

(54) **ROTATING KEYBOARD CASE WITH  
KEYBOARD**

(71) Applicant: **HaiWen Chen**, Guangdong (CN)

(72) Inventor: **HaiWen Chen**, Guangdong (CN)

(73) Assignee: **Shenzhen Alpha Network Technology  
Co., Ltd.**, Guangdong (CN)

(\*\*) Term: **15 Years**

(21) Appl. No.: **29/718,384**

(22) Filed: **Dec. 24, 2019**

(51) **LOC (13) Cl.** ..... **14-02**

(52) **U.S. Cl.**  
USPC ..... **D14/440; D14/316**

(58) **Field of Classification Search**  
USPC .... D14/440, 447, 250, 316; 206/45.23, 320,  
206/45.2; 361/679.55; 294/25; 224/218  
CPC ... G06F 1/1628; G06F 1/1626; A47B 23/044;  
H04B 1/3888  
See application file for complete search history.

(56) **References Cited**

**U.S. PATENT DOCUMENTS**

D675,625	S *	2/2013	Hasbrook	.....	D14/440
D696,256	S *	12/2013	Piedra	.....	D14/440
D696,669	S *	12/2013	Akana	.....	D14/440
D700,611	S *	3/2014	Boldetti	.....	D14/440
8,766,921	B2 *	7/2014	Ballagas	.....	G09G 5/00 345/168
D729,253	S *	5/2015	Nyholm	.....	D14/440
D733,152	S *	6/2015	Sirichai	.....	D14/440
9,095,194	B2 *	8/2015	Hassett	.....	A45C 11/00
D740,802	S *	10/2015	Hsu	.....	D14/316
D744,489	S *	12/2015	Sirichai	.....	D14/440
9,227,763	B2 *	1/2016	Gengler	.....	B65D 25/00
D748,619	S *	2/2016	Hsu	.....	D14/316
D764,472	S *	8/2016	Corcoran	.....	D14/440

9,451,822	B2 *	9/2016	Gu	.....	A47B 23/044
D768,638	S *	10/2016	Lee	.....	D14/440
D770,457	S *	11/2016	Massucco	.....	D14/440
D772,880	S *	11/2016	Corcoran	.....	D14/440
D779,494	S *	2/2017	Hallier	.....	D14/252
D789,342	S *	6/2017	Sirichai	.....	D14/250
D792,887	S *	7/2017	Zhang	.....	D14/440
D807,363	S *	1/2018	Hallier	.....	D14/440
D807,365	S *	1/2018	Liu	.....	D14/440
D807,892	S *	1/2018	Wang	.....	D14/440
D808,394	S *	1/2018	Lakraa	.....	D14/440
D808,395	S *	1/2018	Fenton	.....	D14/440
D811,411	S *	2/2018	Moore	.....	D14/440
D817,962	S *	5/2018	Shao	.....	D14/440
D822,675	S *	7/2018	Zhu	.....	D14/455
D832,852	S *	11/2018	Jinkinson	.....	D14/440
D832,853	S *	11/2018	Jinkinson	.....	D14/440
D832,854	S *	11/2018	Jinkinson	.....	D14/440
D832,856	S *	11/2018	Jinkinson	.....	D14/440
10,349,544	B2 *	7/2019	Katsuyama	.....	G06F 1/16
D861,000	S *	9/2019	Zhao	.....	D14/440
D863,935	S *	10/2019	Aoki	.....	G06F 1/1681 D8/329

(Continued)

*Primary Examiner* — Cynthia R Underwood

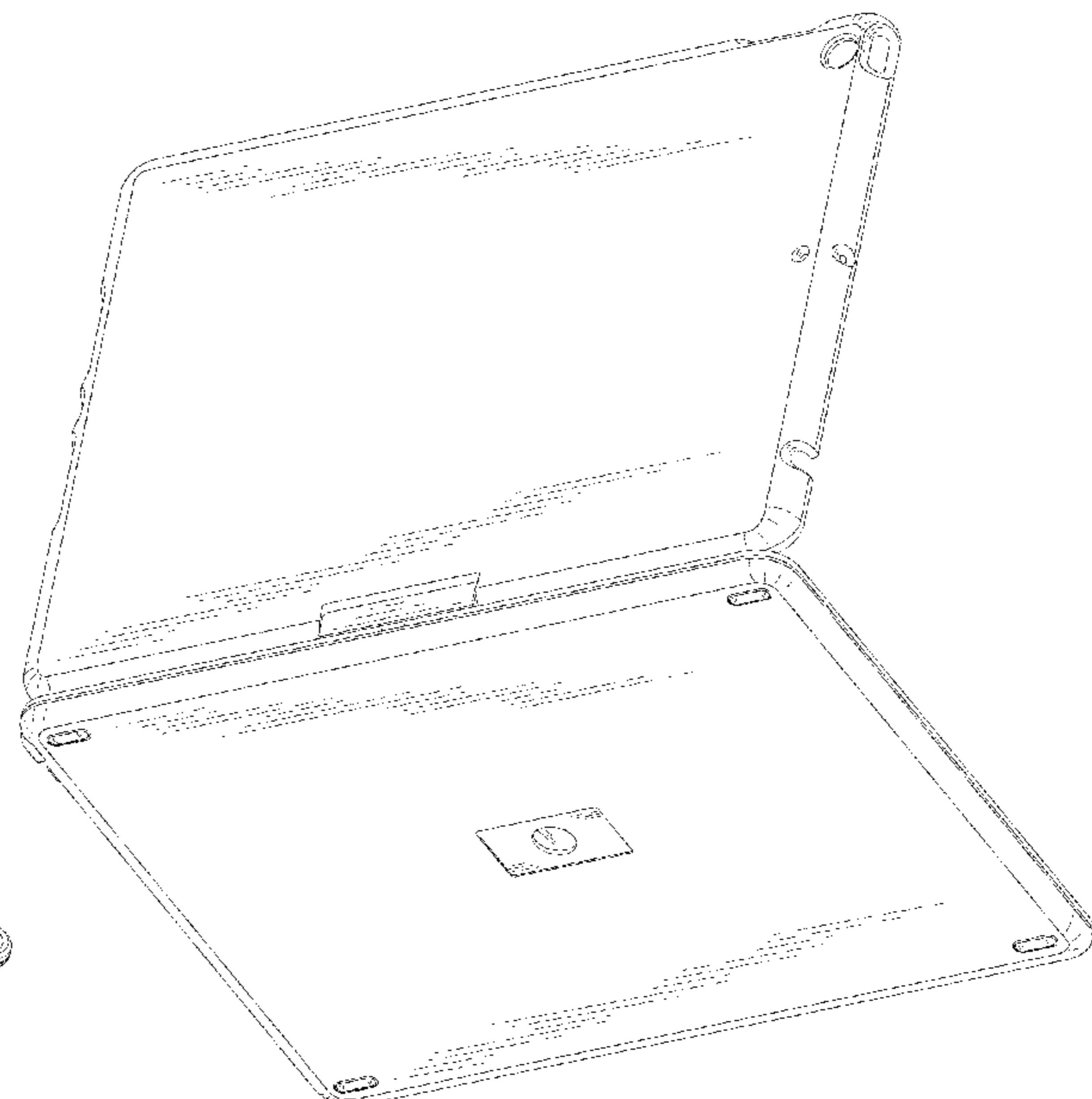
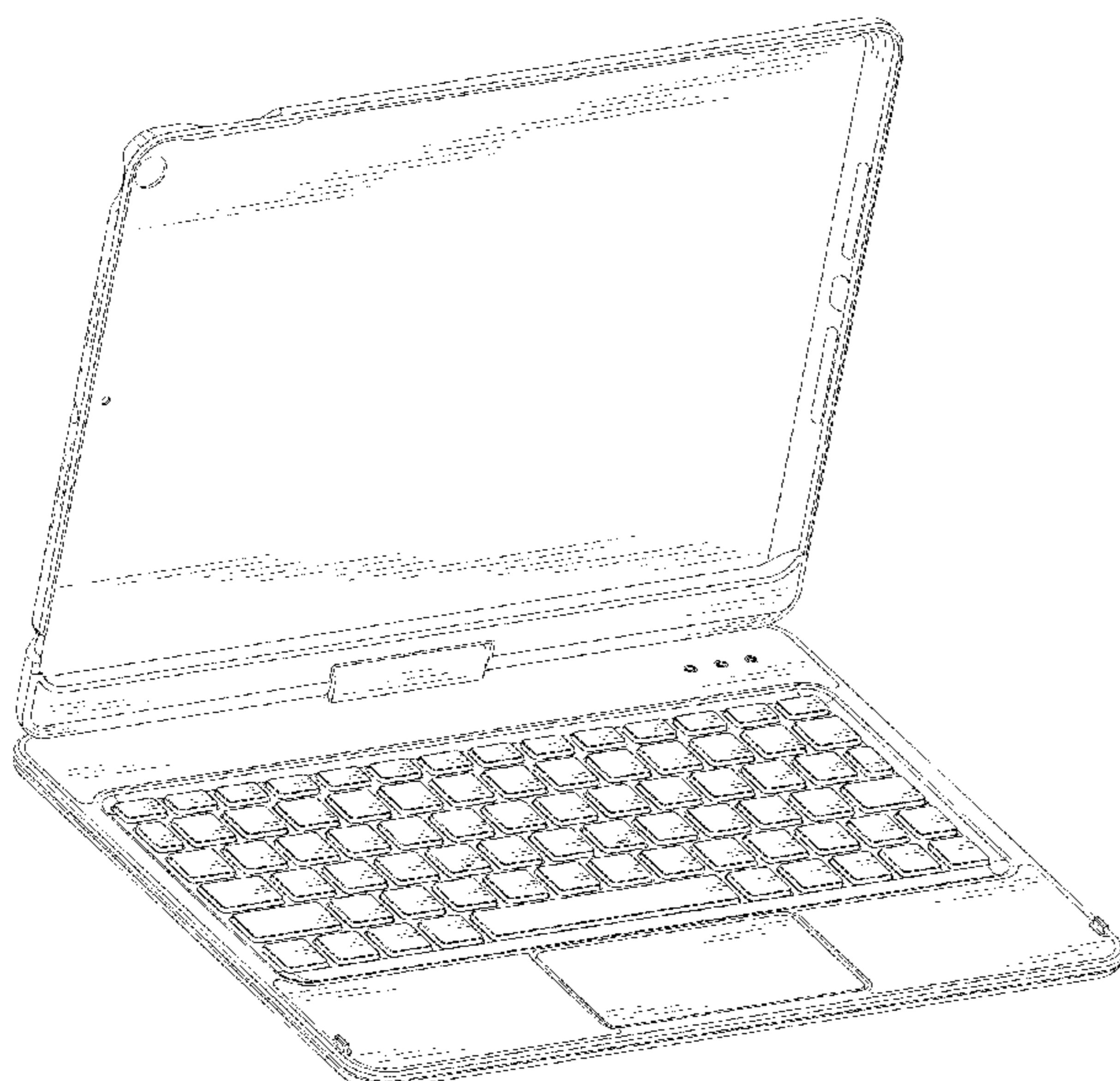
(57) **CLAIM**

The ornamental design for a rotating keyboard case with keyboard, as shown and described.

**DESCRIPTION**

FIG. 1 is a perspective view of a rotating keyboard case with keyboard showing my new design;  
FIG. 2 is a front elevational view thereof;  
FIG. 3 is a rear elevational view thereof;  
FIG. 4 is a left side elevational view thereof;  
FIG. 5 is a right side elevational view thereof;  
FIG. 6 is a top plan view thereof;  
FIG. 7 is a bottom plan view thereof; and,  
FIG. 8 is a rear side perspective view thereof.

**1 Claim, 8 Drawing Sheets**



# US D918,214 S

Page 2

(56)

## References Cited

### U.S. PATENT DOCUMENTS

2003/0193773	A1*	10/2003	Choi	.....	G06F 1/162 361/679.06
2009/0194209	A1*	8/2009	De Filippis	.....	A45C 11/00 150/107
2009/0201254	A1*	8/2009	Rais	.....	G06F 1/1613 345/168
2010/0300909	A1*	12/2010	Hung	.....	H04M 1/04 206/320
2011/0110670	A1*	5/2011	Atkinson	.....	G06F 1/162 398/135
2012/0211377	A1*	8/2012	Sajid	.....	G06F 1/1628 206/216
2012/0293938	A1*	11/2012	Dai	.....	G06F 1/1622 361/679.07
2013/0015088	A1*	1/2013	Wu	.....	A45C 11/00 206/320
2013/0214661	A1*	8/2013	McBroom	.....	G06F 1/1667 312/325
2013/0264459	A1*	10/2013	McCosh	.....	G06F 1/1626 248/688
2014/0029189	A1*	1/2014	Chang	.....	G06F 1/1662 361/679.11
2014/0083883	A1*	3/2014	Elias	.....	G06F 1/1626 206/320
2014/0211393	A1*	7/2014	Lee	.....	G06F 1/1626 361/679.12
2014/0218855	A1*	8/2014	Fujino	.....	G06F 1/1681 361/679.12
2015/0293601	A1*	10/2015	Gu	.....	G06F 3/0202 345/168
2015/0296060	A1*	10/2015	Gu	.....	H04M 1/0235 455/575.4
2015/0296068	A1*	10/2015	Chin	.....	G06F 1/1628 455/575.8
2016/0011628	A1*	1/2016	Sato	.....	G06F 1/1656 361/679.3
2016/0187937	A1*	6/2016	Ahee	.....	G06F 1/1681 361/679.09

\* cited by examiner

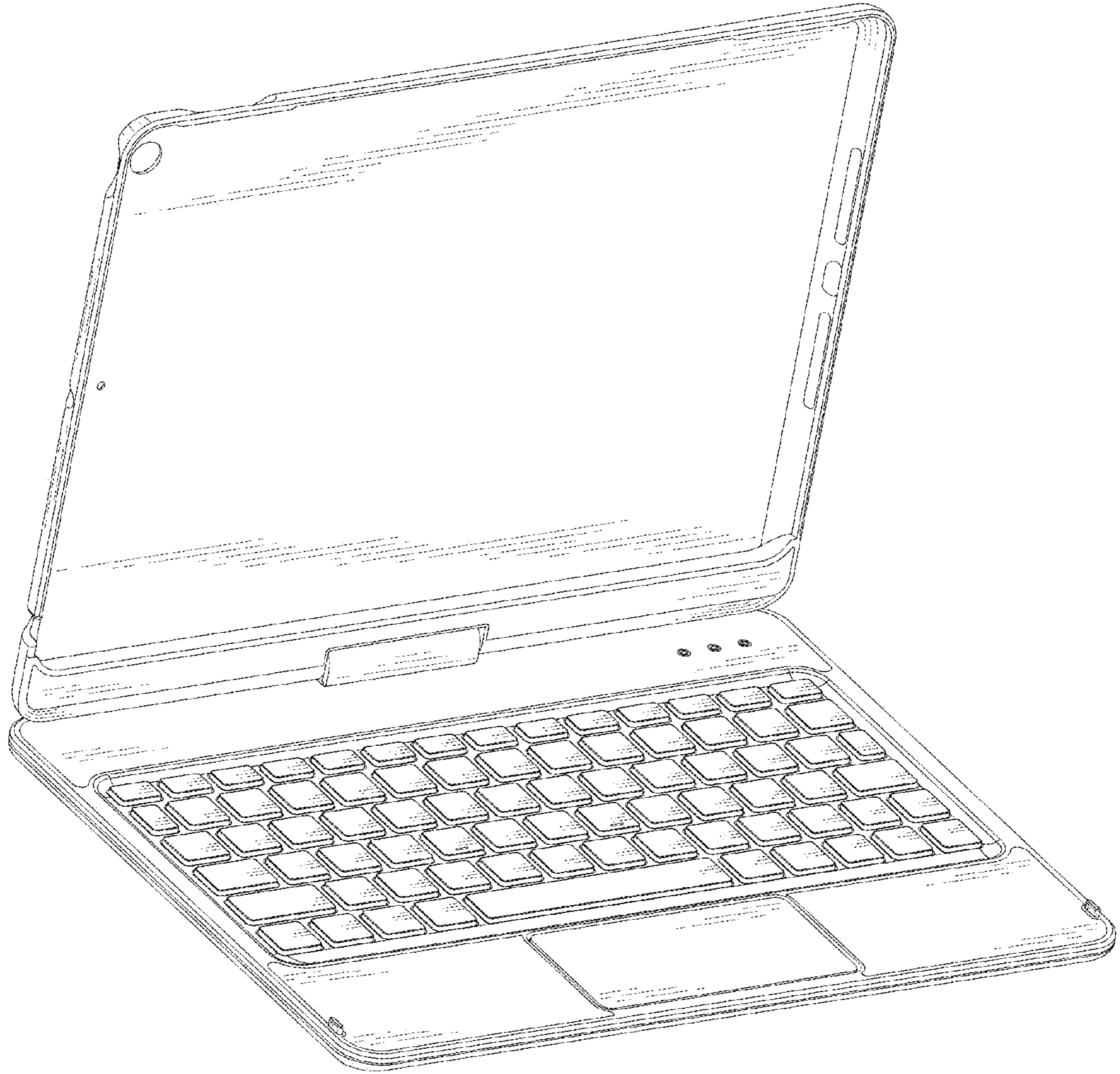


FIG. 1



FIG. 2

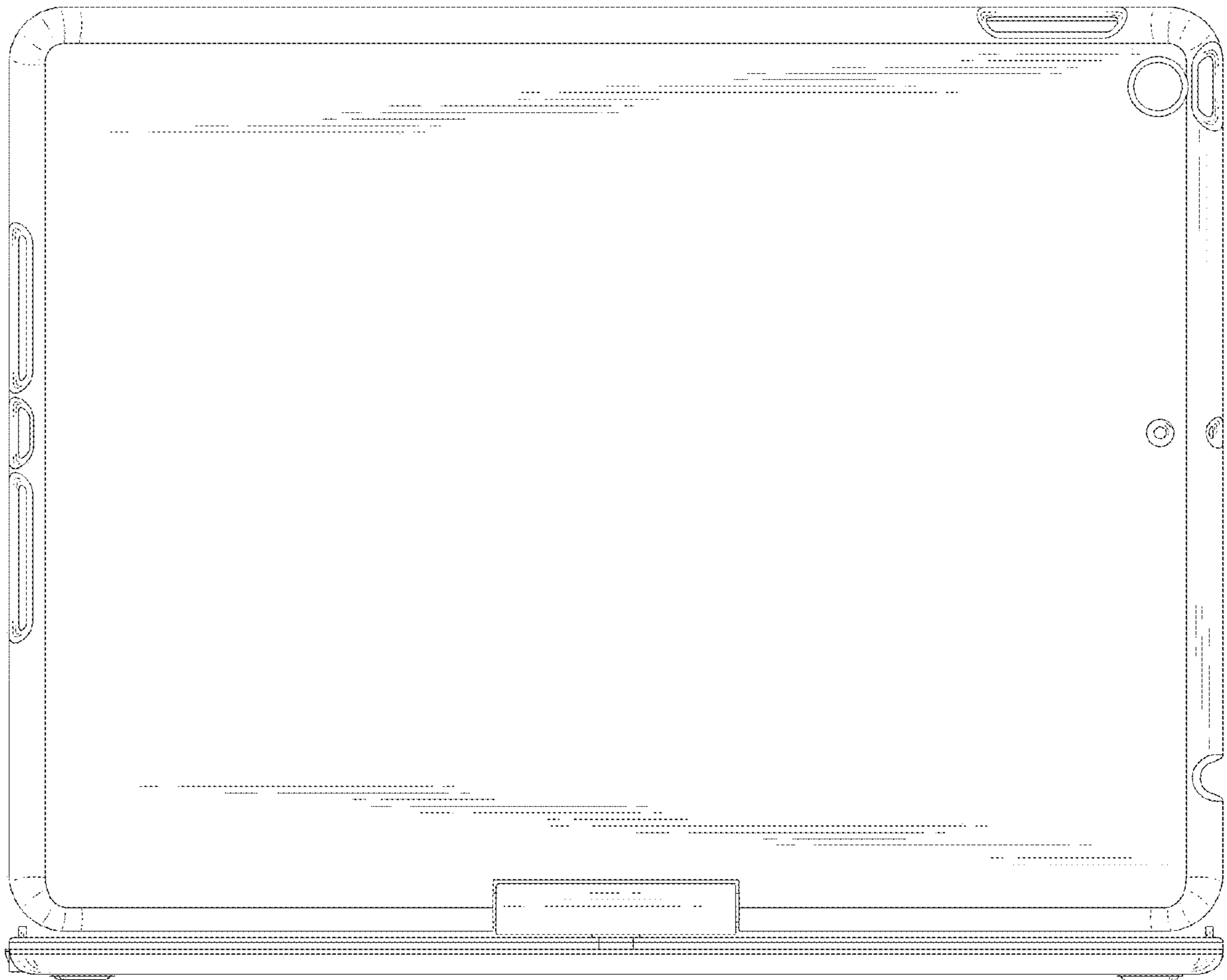


FIG. 3

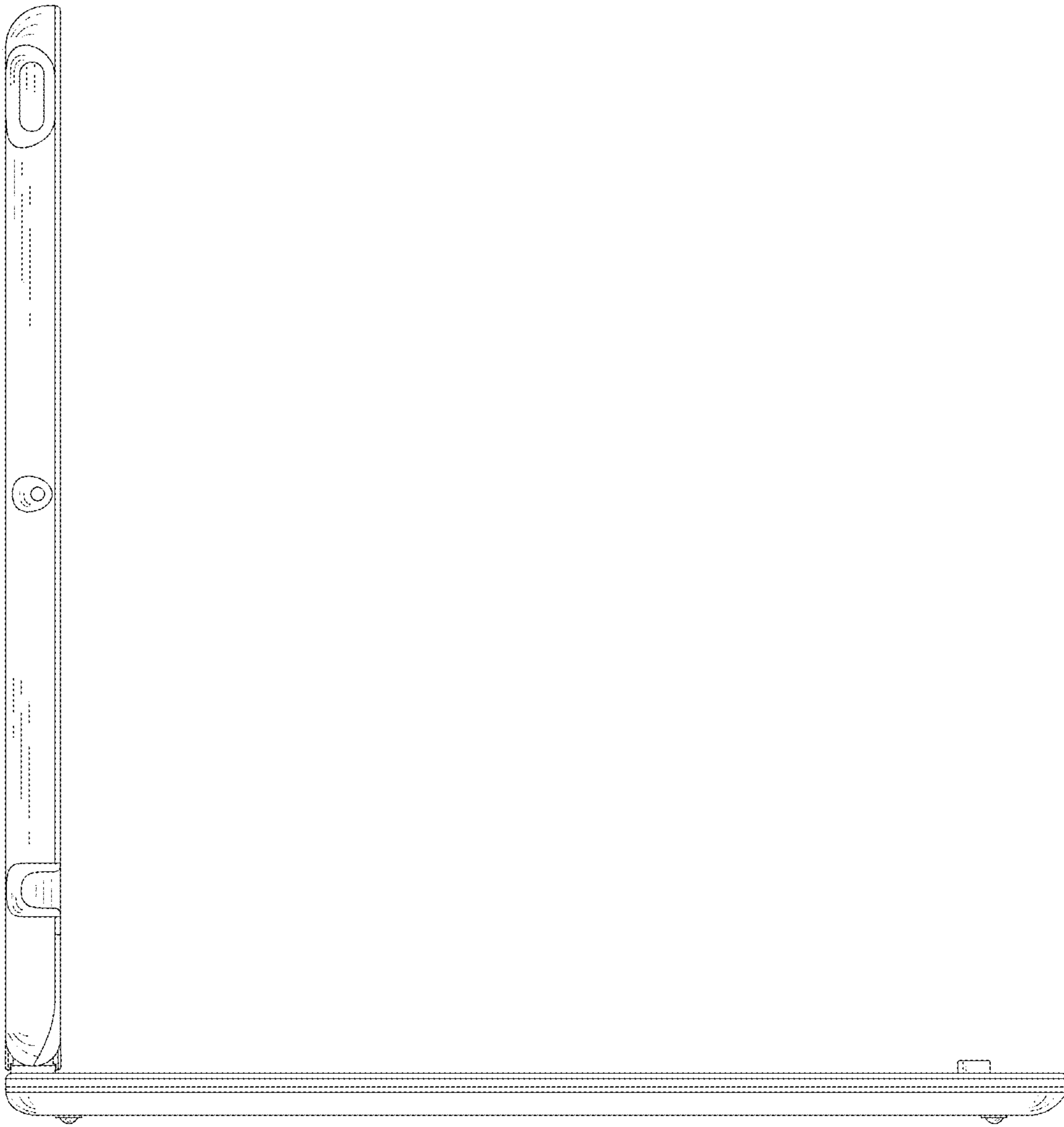


FIG. 4

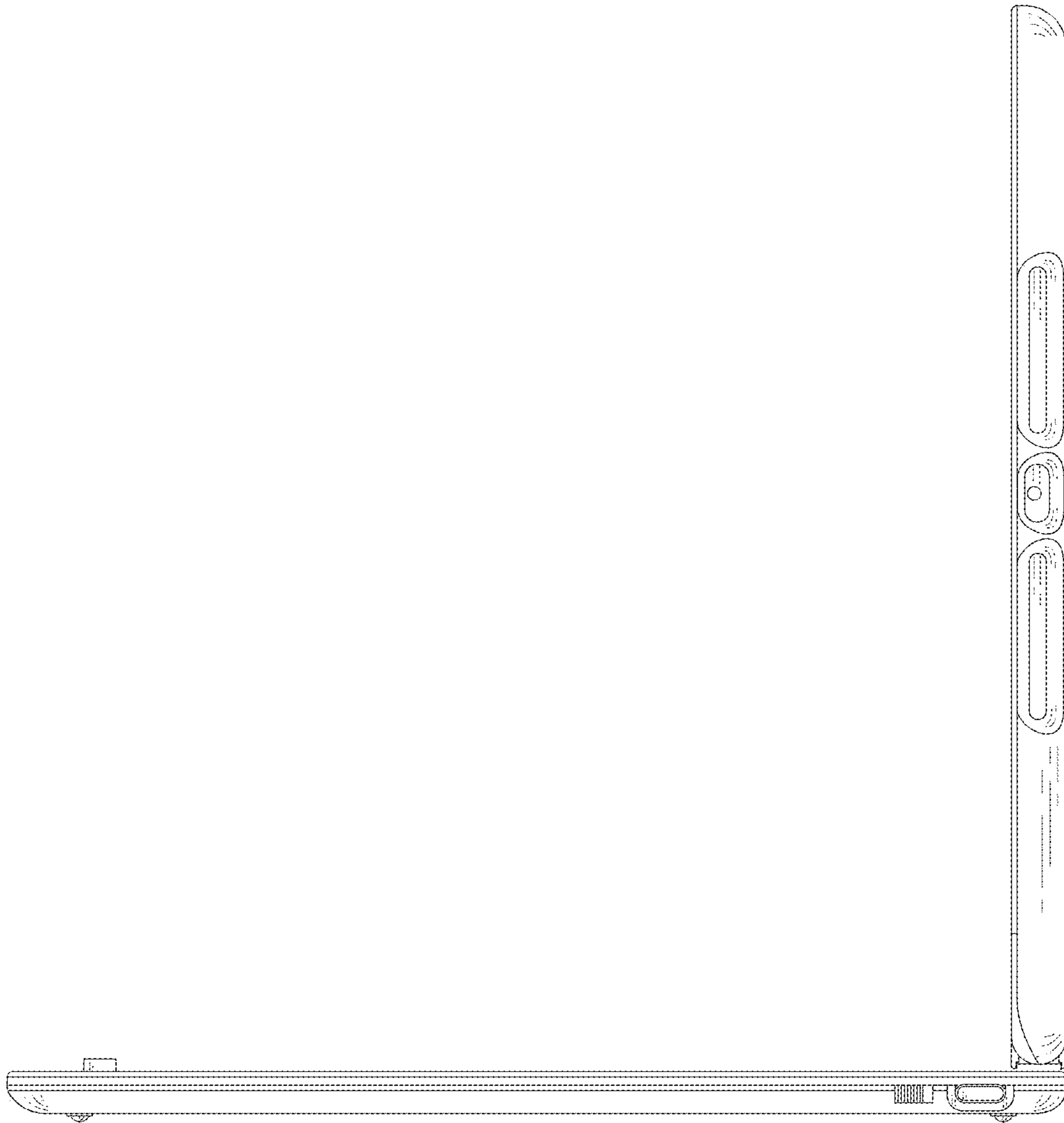


FIG. 5

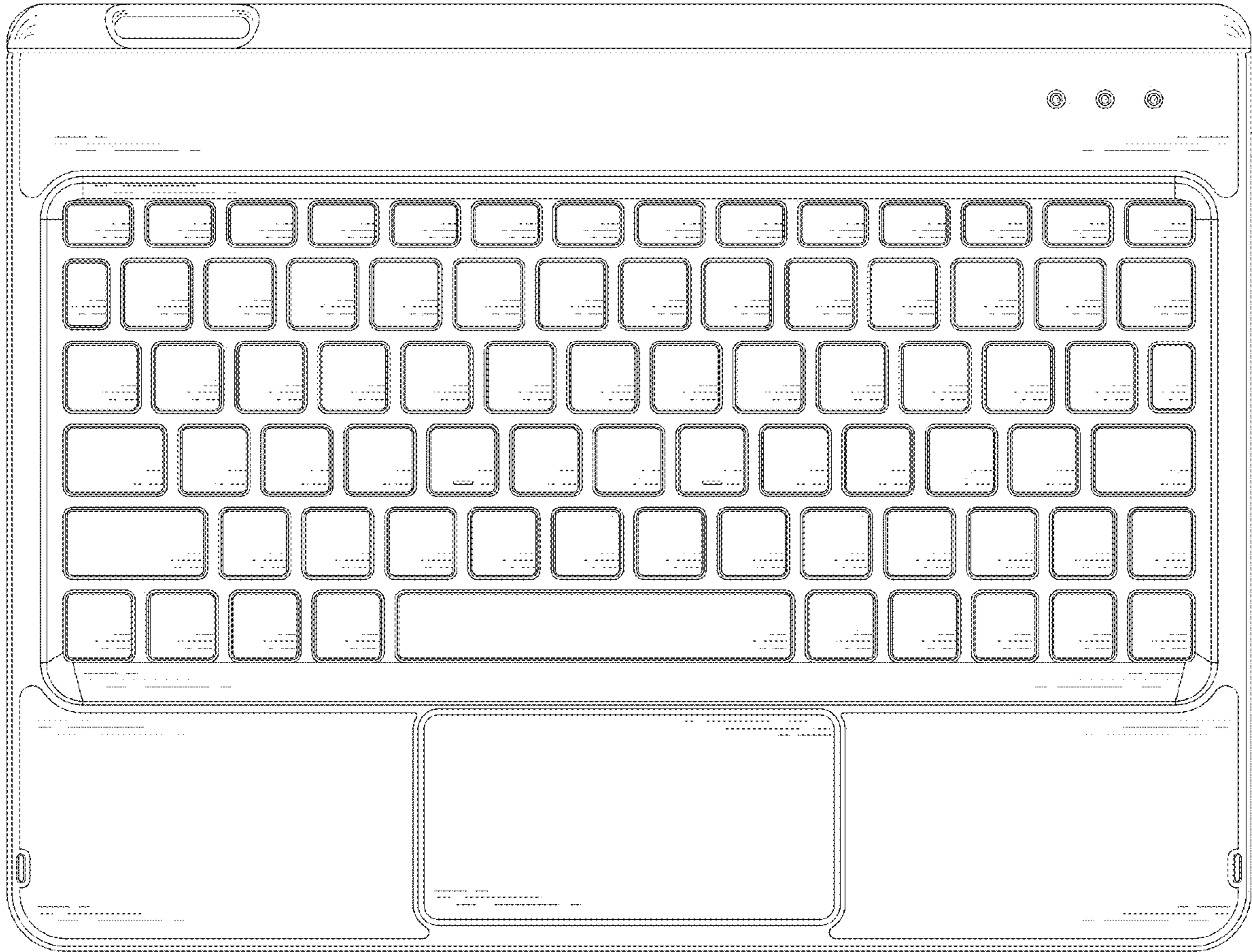


FIG. 6



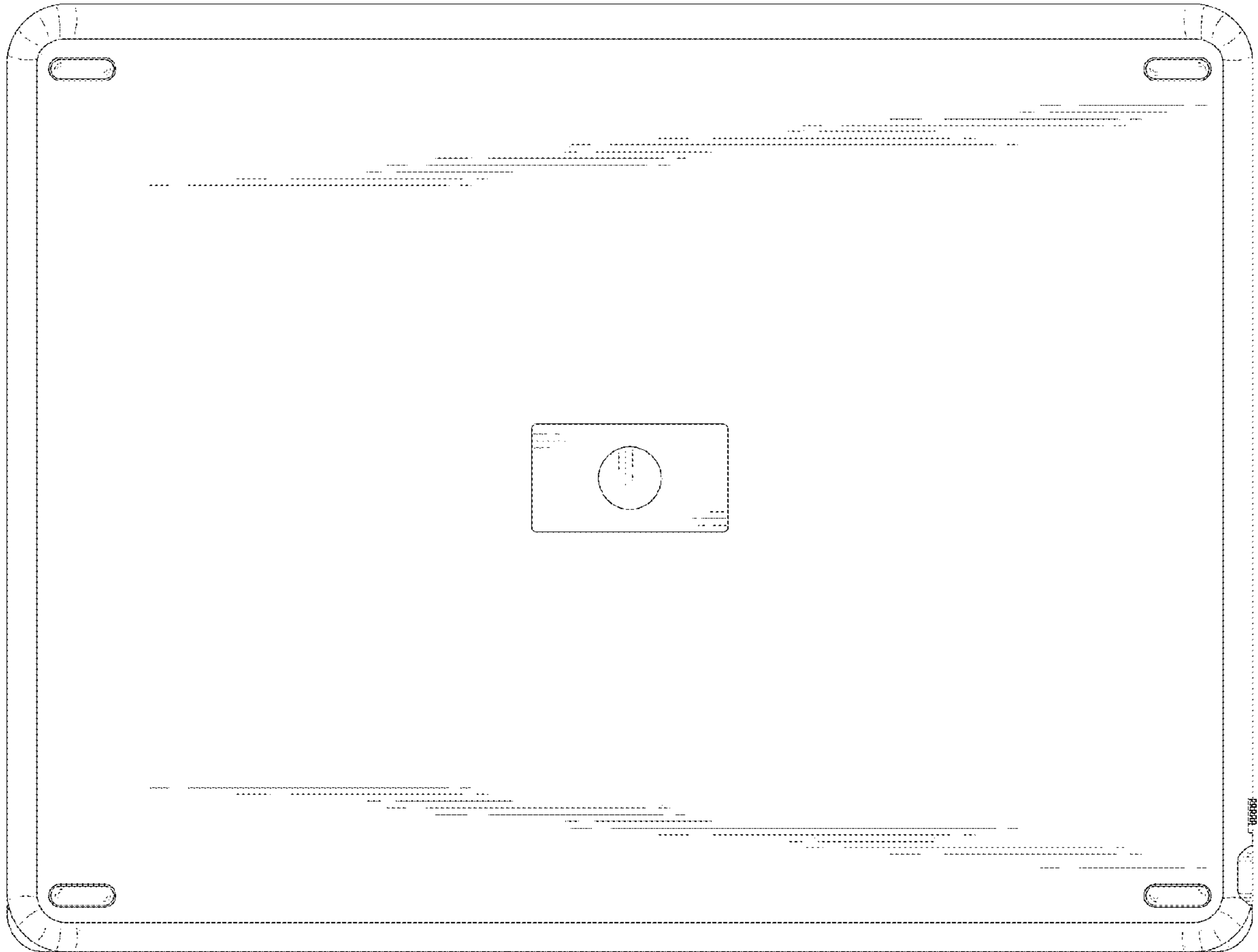


FIG. 7

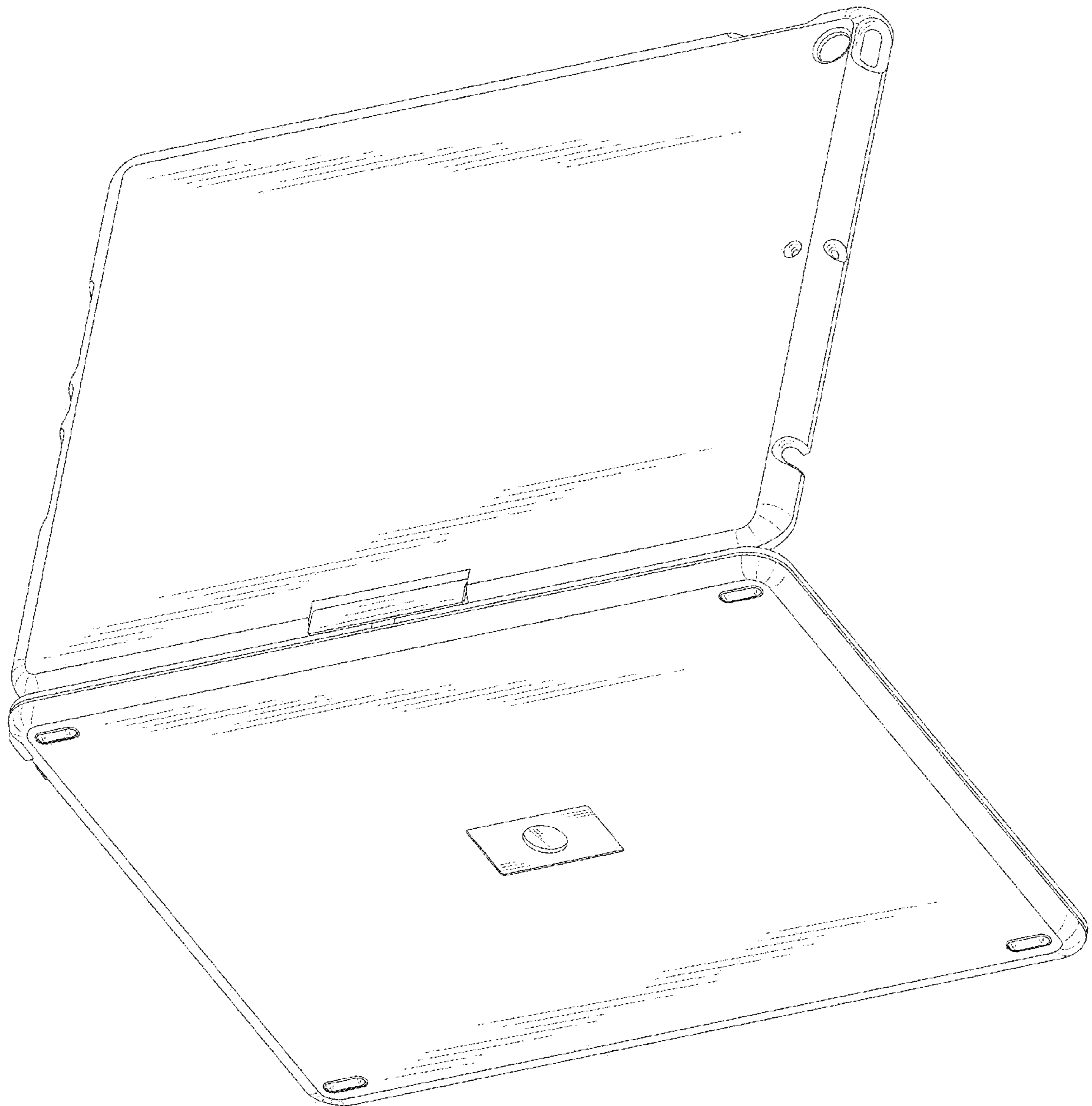


FIG. 8