



US00D918213S

(12) **United States Design Patent**
Miyatake

(10) **Patent No.:** **US D918,213 S**

(45) **Date of Patent:** **** May 4, 2021**

(54) **COVER FOR COMPUTER**

(71) Applicant: **NINTENDO CO., LTD.**, Kyoto (JP)

(72) Inventor: **Junichiro Miyatake**, Kyoto (JP)

(73) Assignee: **Nintendo Co., Ltd.**, Kyoto (JP)

(**) Term: **15 Years**

(21) Appl. No.: **29/717,000**

(22) Filed: **Dec. 13, 2019**

(30) **Foreign Application Priority Data**

Jul. 9, 2019 (JP) 2019-015375

(51) **LOC (13) Cl.** **14-02**

(52) **U.S. Cl.**
USPC **D14/440**

(58) **Field of Classification Search**
USPC D14/440, 447, 250, 341; 206/45.23, 320,
206/45.2; 361/679.55; 294/25; 224/218
CPC G06F 1/1628; G06F 1/1626; G06F 1/699;
A47B 23/044; H04B 1/3888
See application file for complete search history.

(56) **References Cited**

U.S. PATENT DOCUMENTS

- D323,929 S * 2/1992 Hodson D14/440
- D377,788 S * 2/1997 Carlson D14/440
- D467,799 S * 12/2002 Persson D9/420
- D558,973 S * 1/2008 Hussaini D3/201
- D714,296 S * 9/2014 Fujioka D14/440
- 8,831,538 B2 * 9/2014 Yuen A61B 5/222
455/90.1
- D720,096 S * 12/2014 McDougall D28/66
- D740,692 S * 10/2015 Christie D9/748
- D764,476 S * 8/2016 Gleason, III D14/440
- D810,421 S * 2/2018 Ross D3/203.1
- D812,065 S * 3/2018 Shim D14/440

- D817,640 S * 5/2018 Dang D3/294
- D818,268 S * 5/2018 Akana D3/294
- D846,264 S * 4/2019 Wu D3/201
- D849,401 S * 5/2019 Akana D3/274
- D864,565 S * 10/2019 Lee D3/271.1

(Continued)

Primary Examiner — Cynthia R Underwood

(74) *Attorney, Agent, or Firm* — Nixon & Vanderhye PC

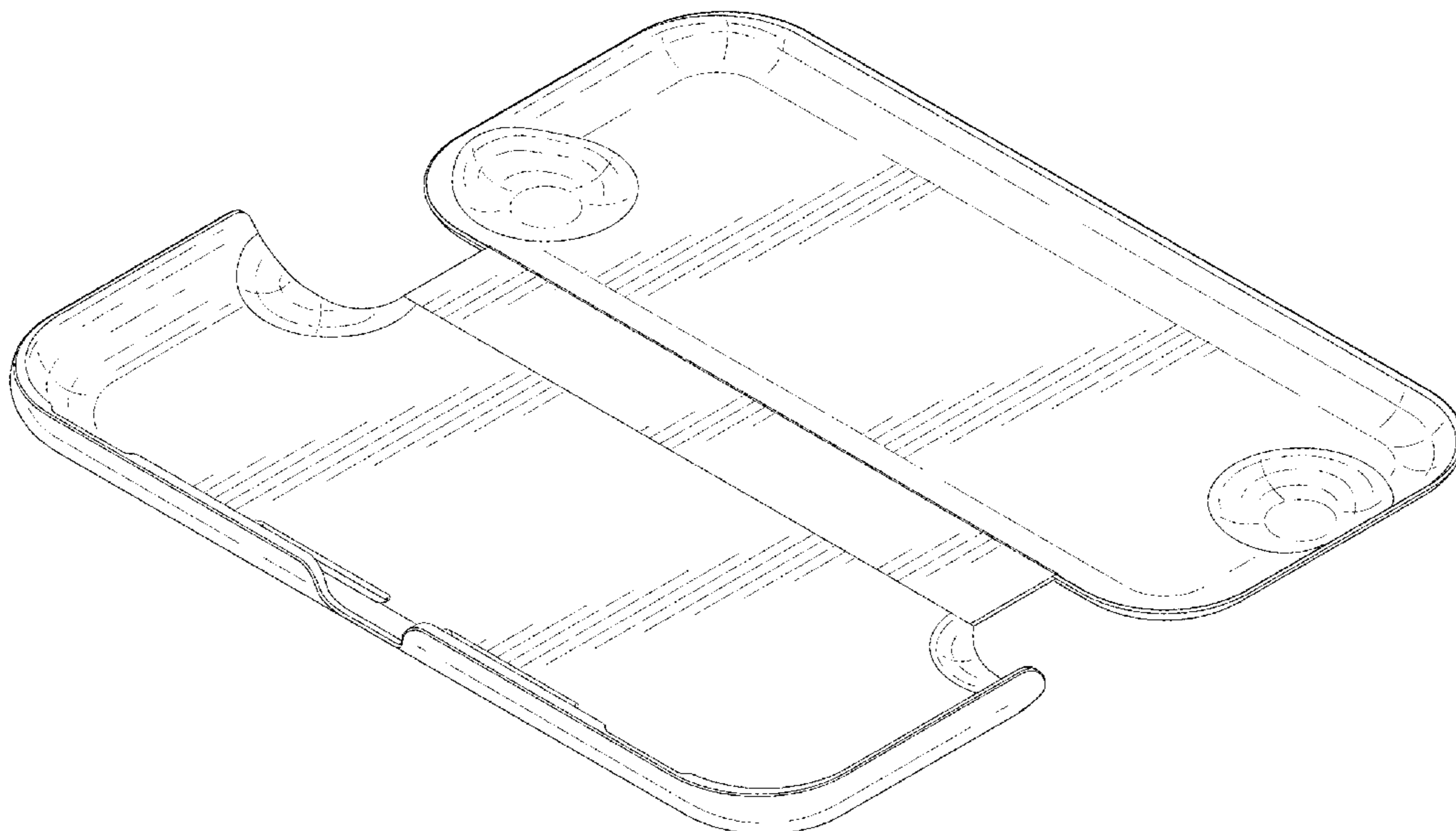
(57) **CLAIM**

The ornamental design for a cover for a computer, as shown and described.

DESCRIPTION

FIG. 1 is a perspective view 1 of a cover for a computer showing our new design;
 FIG. 2 is a perspective view 2 thereof;
 FIG. 3 is a front view thereof;
 FIG. 4 is a back view thereof;
 FIG. 5 is a top view thereof;
 FIG. 6 is a bottom view thereof;
 FIG. 7 is a right view thereof;
 FIG. 8 is a left view thereof;
 FIG. 9 is a perspective view 1 thereof in the closed state;
 FIG. 10 is a perspective view 2 thereof in the closed state;
 FIG. 11 is a front view thereof in the closed state;
 FIG. 12 is a back view thereof in the closed state;
 FIG. 13 is a top view thereof in the closed state;
 FIG. 14 is a bottom view thereof in the closed state;
 FIG. 15 is a right view thereof in the closed state;
 FIG. 16 is a left view thereof in the closed state;
 FIG. 17 is an end view thereof indicated in FIG. 3;
 FIG. 18 is an end view thereof indicated in FIG. 3;
 FIG. 19 is an end view thereof indicated in FIG. 3;
 FIG. 20 is an end view thereof indicated in FIG. 3; and,
 FIG. 21 is a perspective view showing the cover for computer attached to a computer.
 The broken lines represent an environment of use and form no part of the claim.

1 Claim, 14 Drawing Sheets



(56)

References Cited

U.S. PATENT DOCUMENTS

D864,971	S	*	10/2019	Lee	D14/440
D868,453	S	*	12/2019	Lee	D3/201
D868,465	S	*	12/2019	Lee	D3/269
D872,094	S	*	1/2020	Wright	D14/440
D872,468	S	*	1/2020	Lee	D3/269
D872,469	S	*	1/2020	Lee	D3/269
D873,217	S	*	1/2020	Zhang	D13/108
D876,821	S	*	3/2020	Lee	D3/203.3
D878,754	S	*	3/2020	Lee	D3/270
D882,259	S	*	4/2020	Liu	D3/269
D883,296	S	*	5/2020	Lee	D14/440
D886,453	S	*	6/2020	Wright	D3/294
D891,434	S	*	7/2020	Lee	D14/440
D893,166	S	*	8/2020	Lu	D3/201
D894,123	S	*	8/2020	Xiong	D13/108
D904,025	S	*	12/2020	Ma	D3/295
D904,763	S	*	12/2020	Koneru	D3/274
2007/0256946	A1	*	11/2007	Godshaw	B65D 25/10 206/320

* cited by examiner

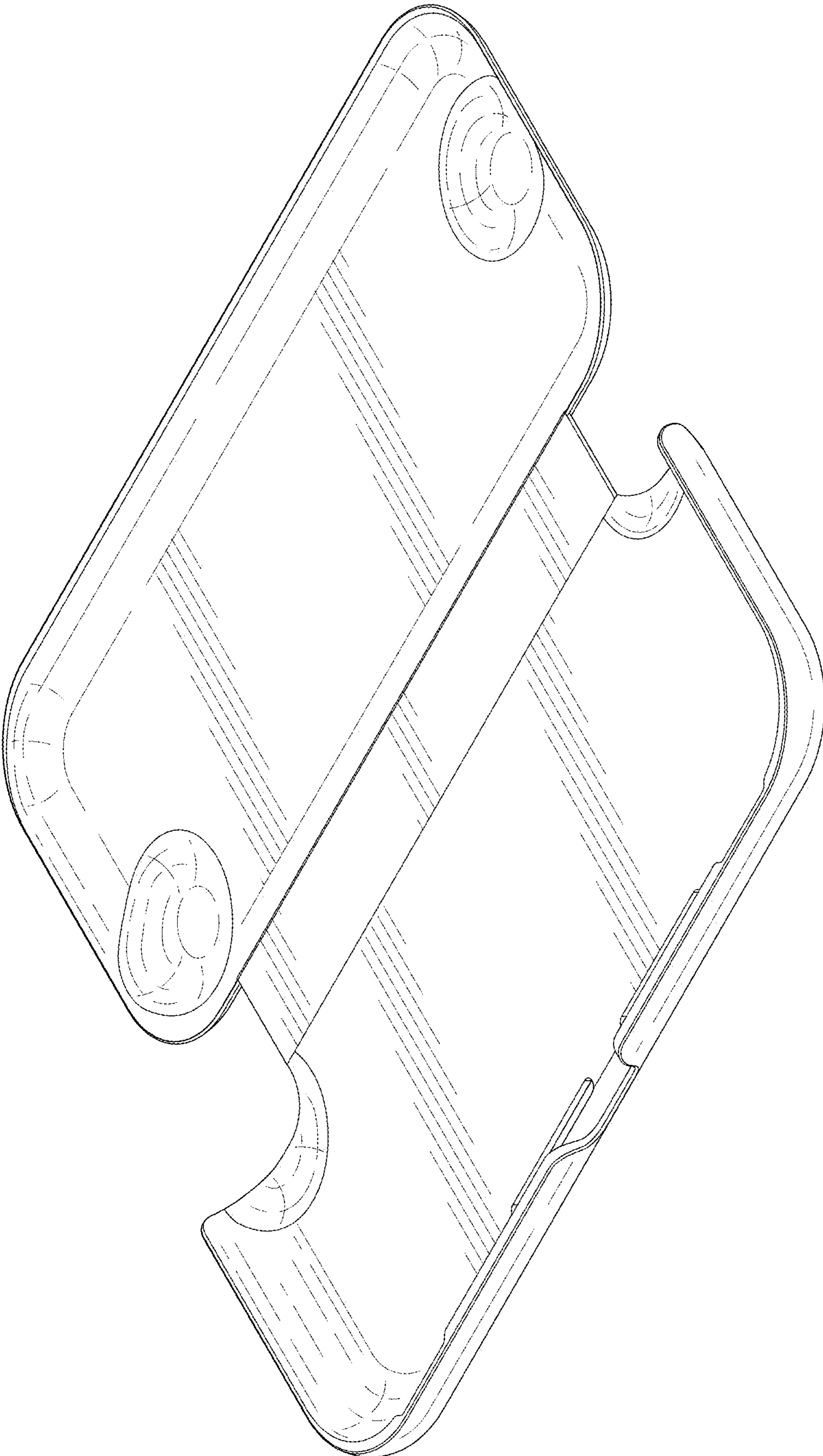


FIG. 1

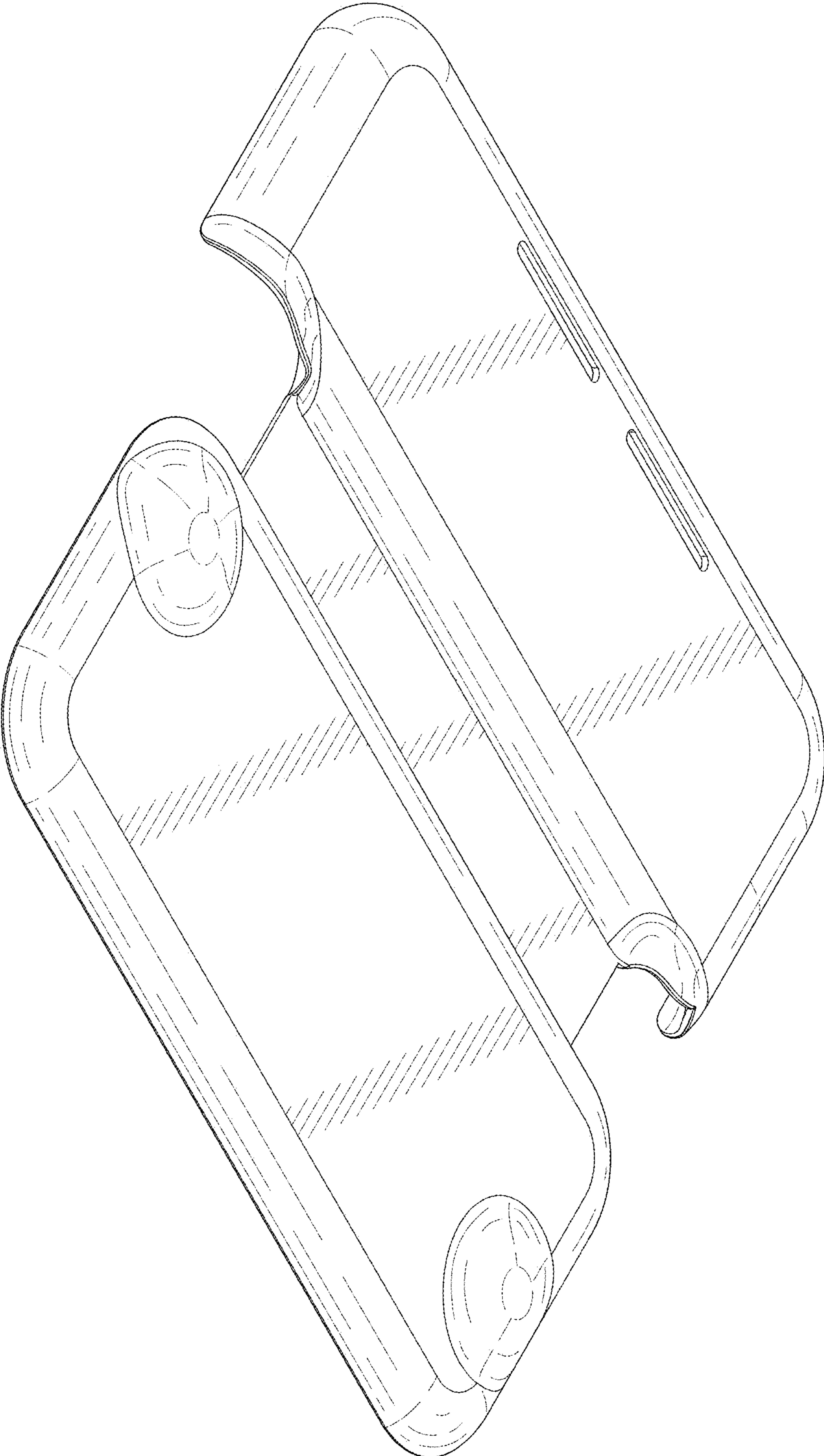


FIG. 2

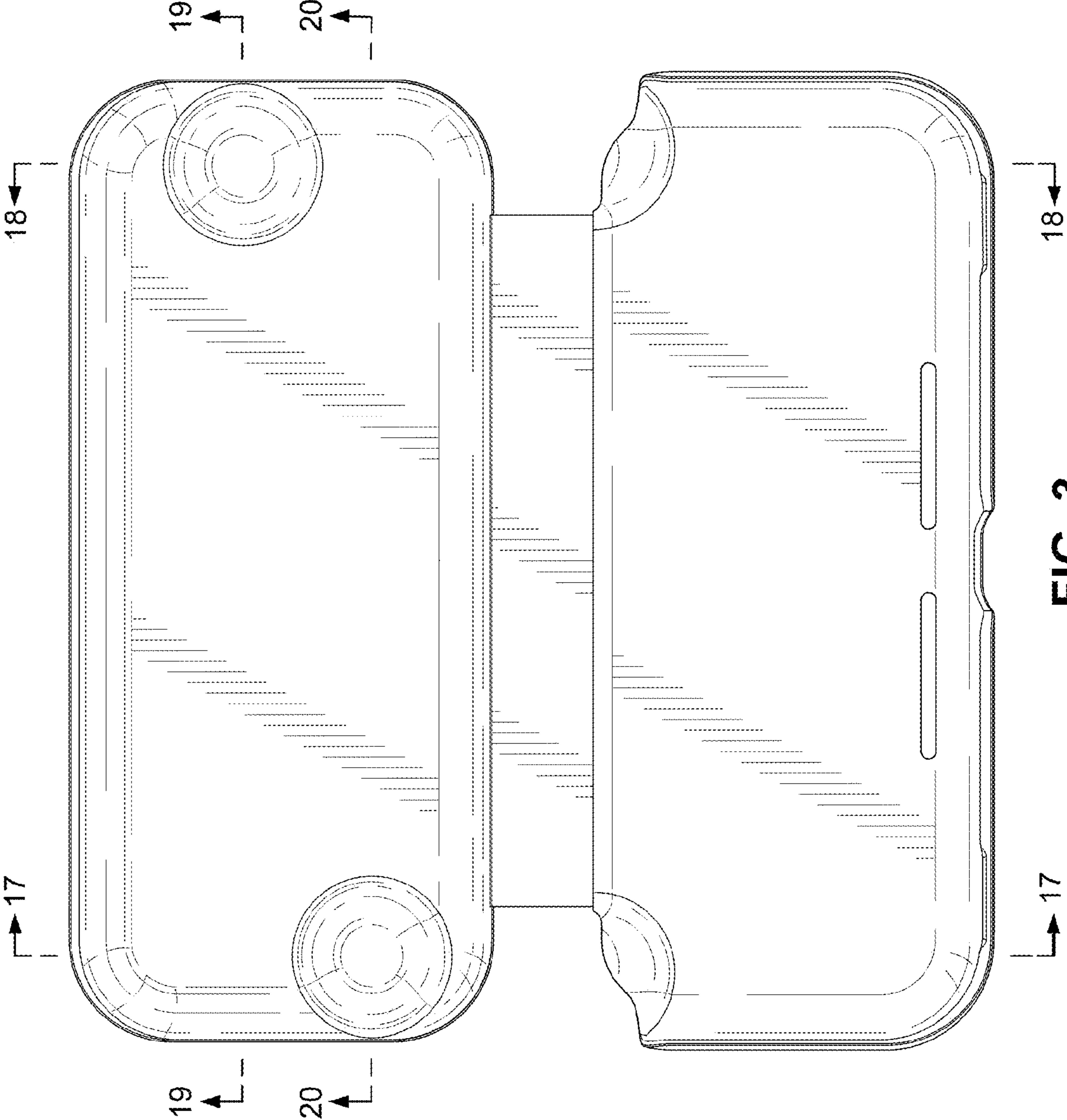


FIG. 3

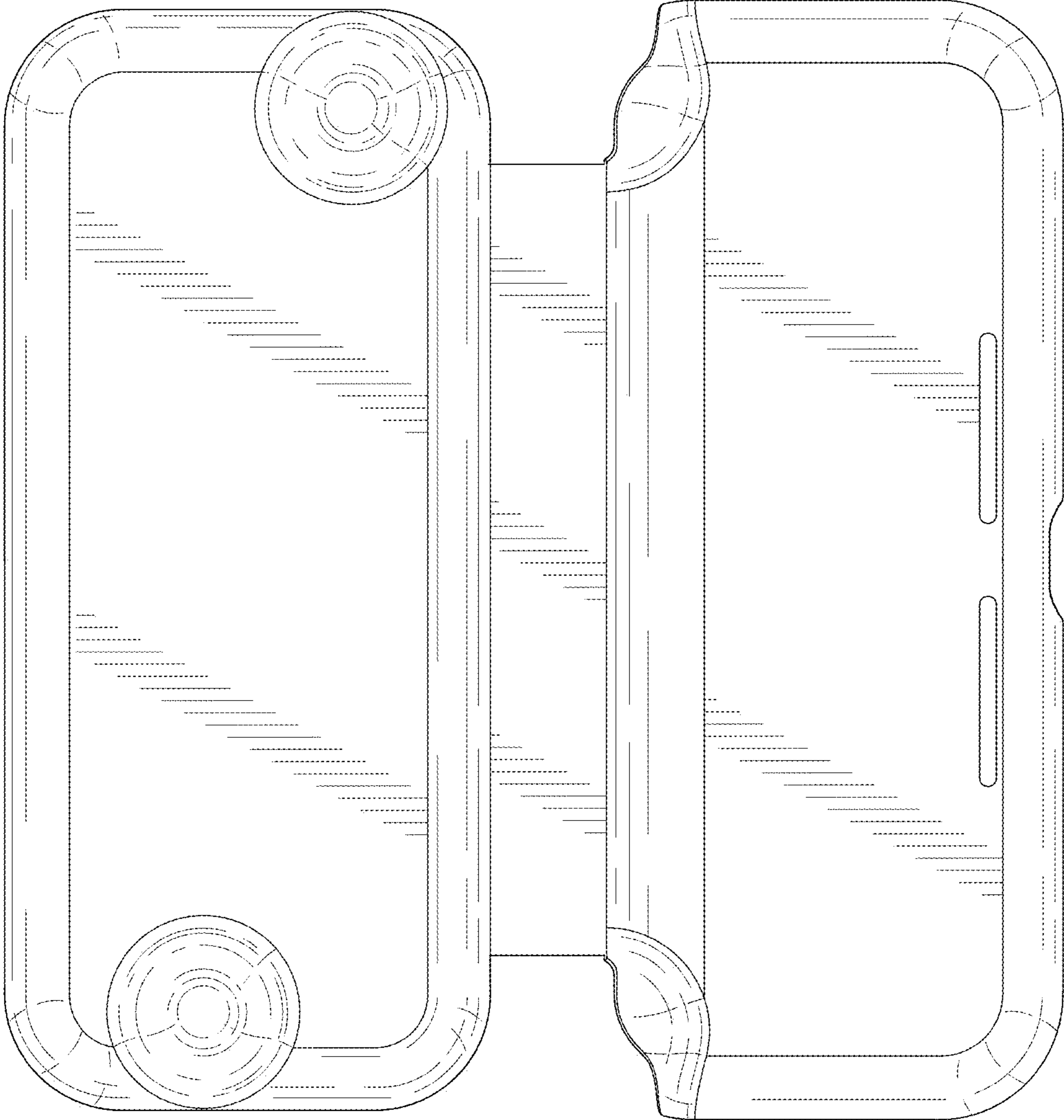


FIG. 4

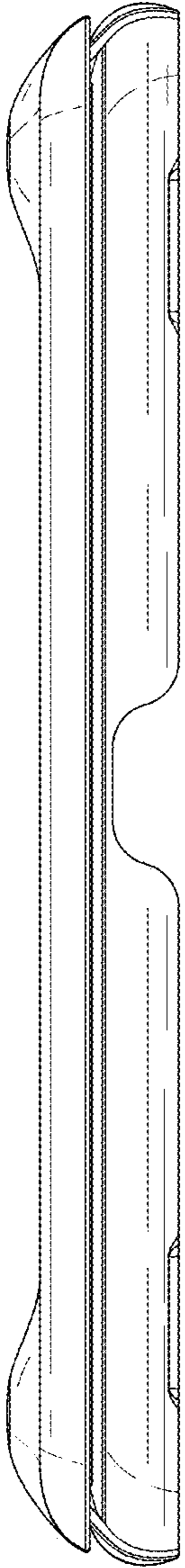


FIG. 5

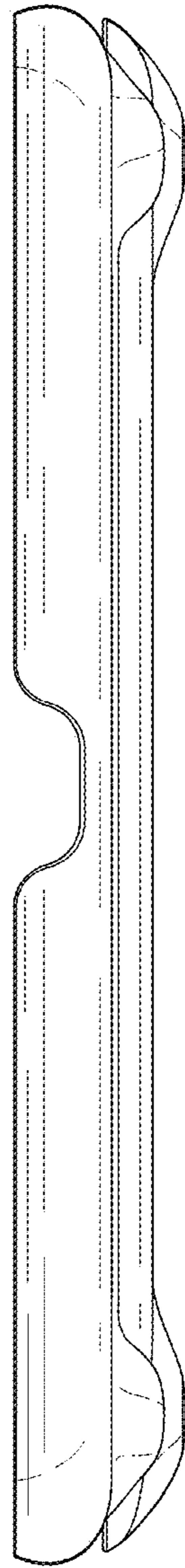


FIG. 6

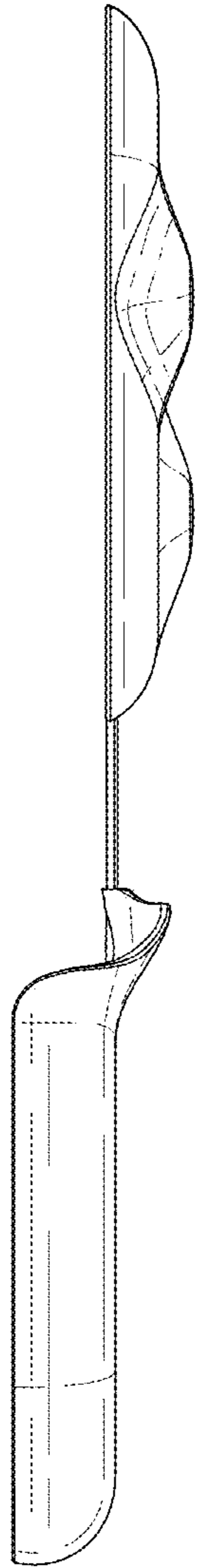


FIG. 7

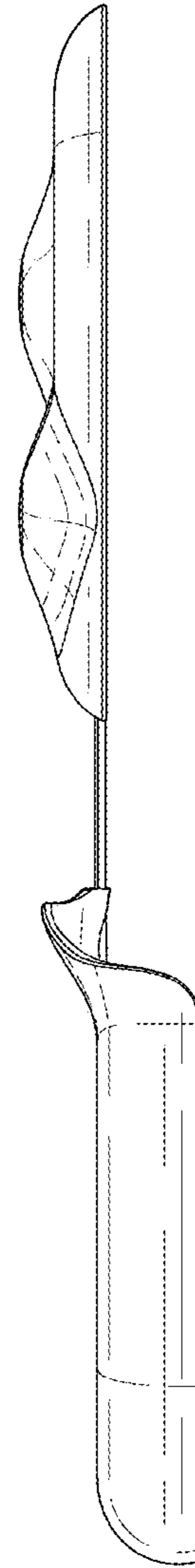


FIG. 8

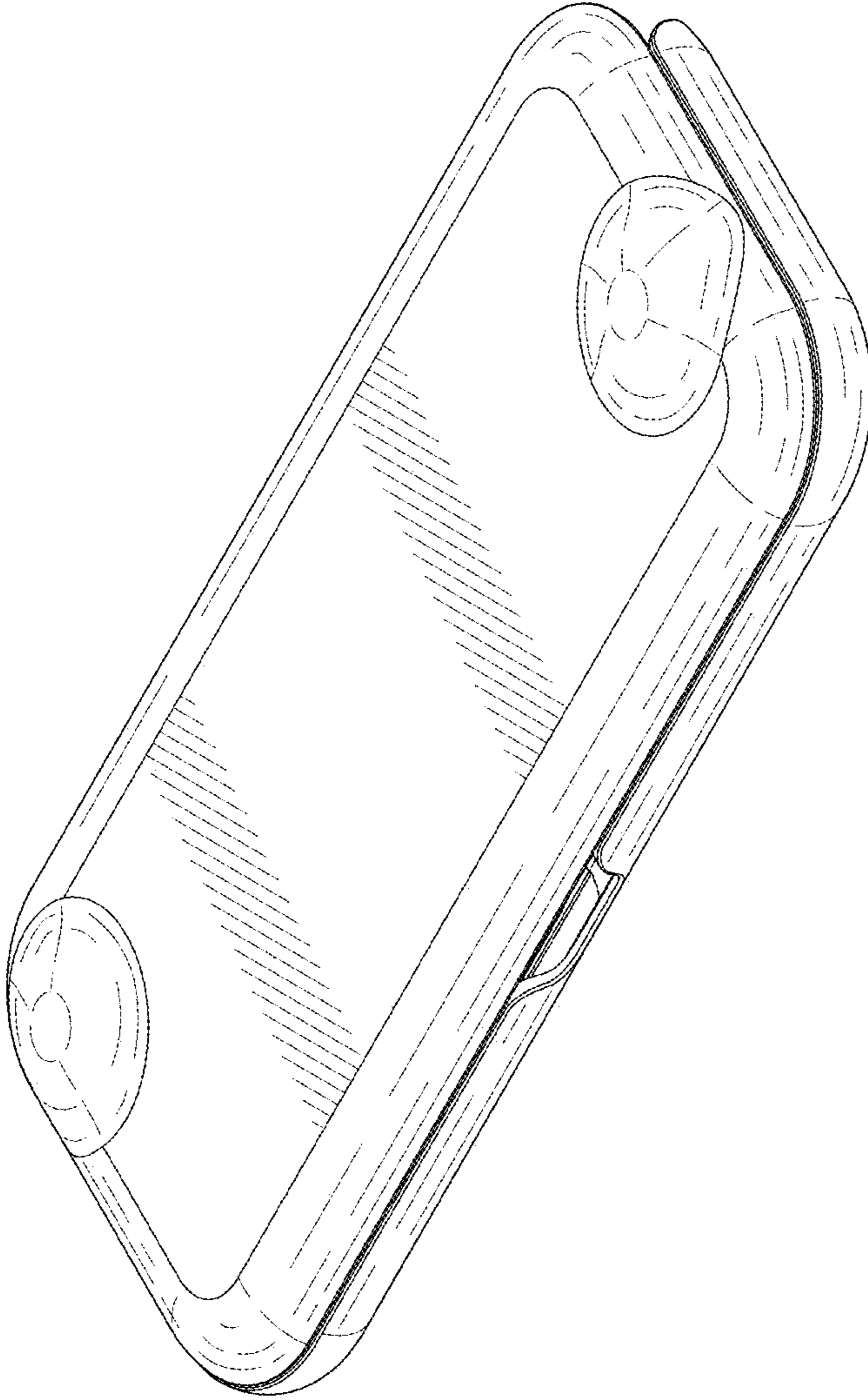


FIG. 9

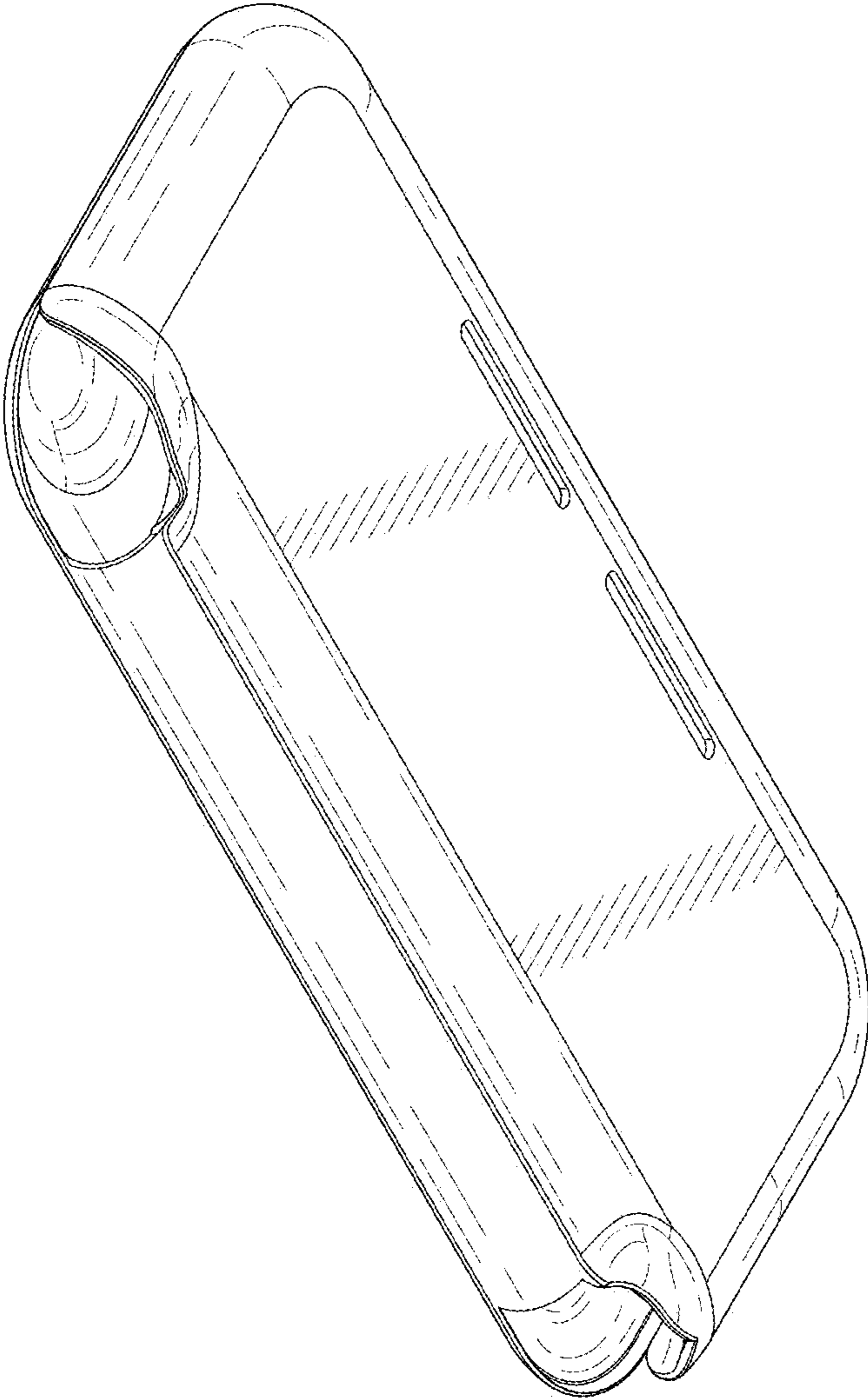


FIG. 10

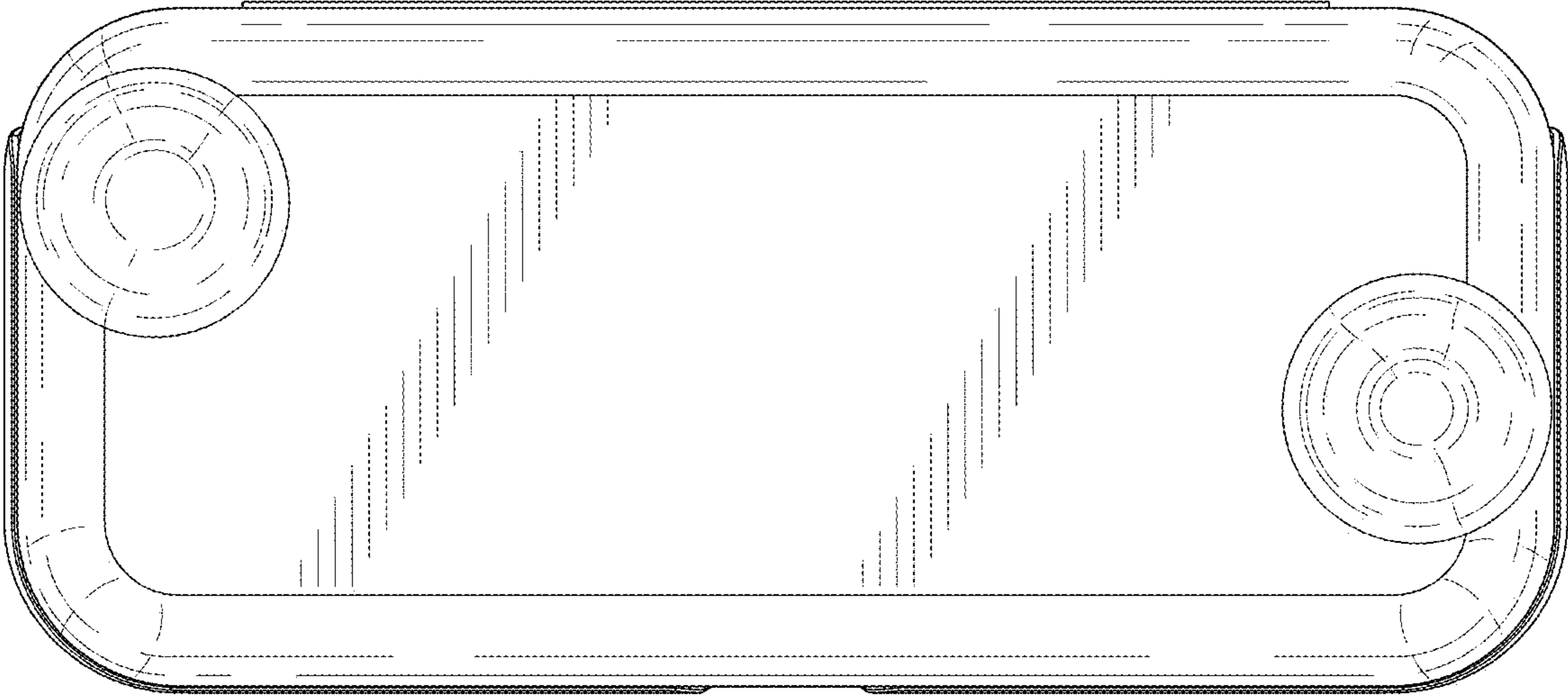


FIG. 11

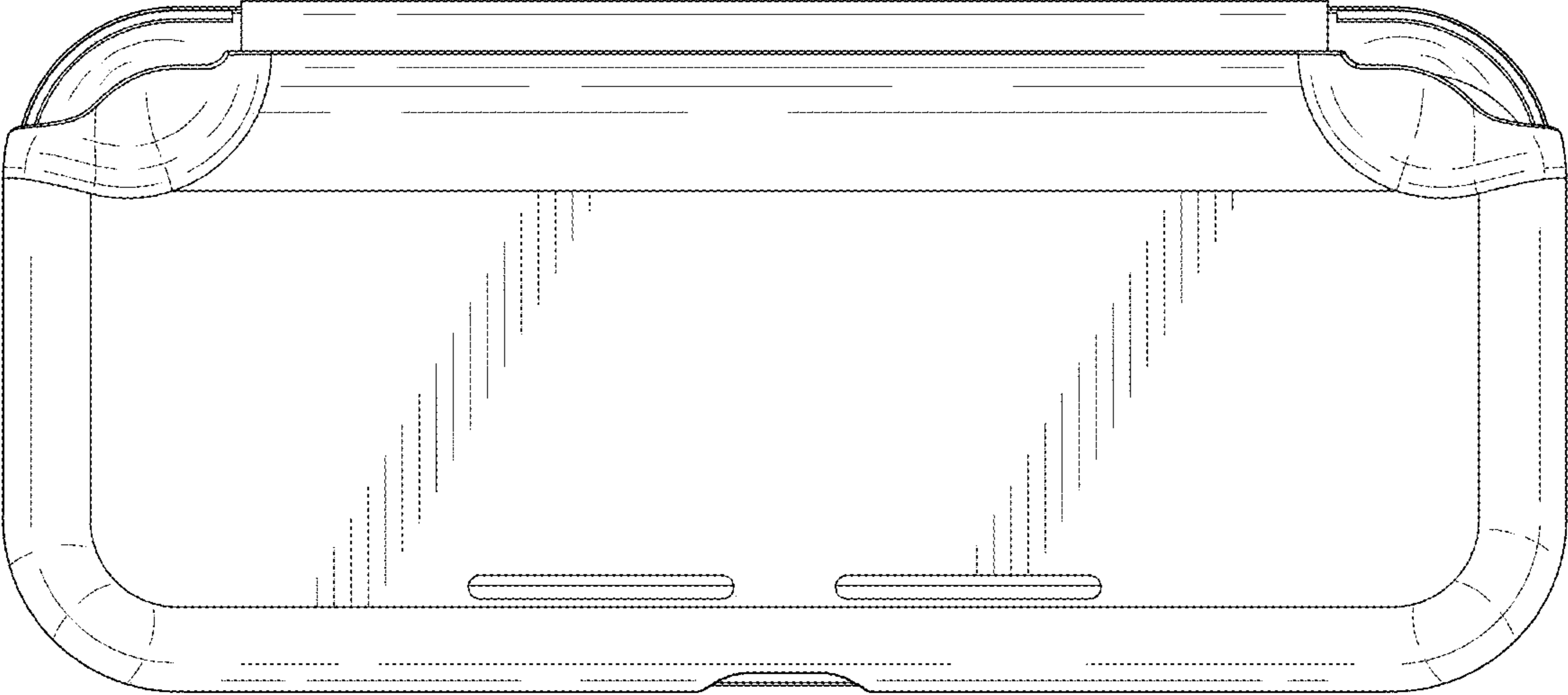


FIG. 12

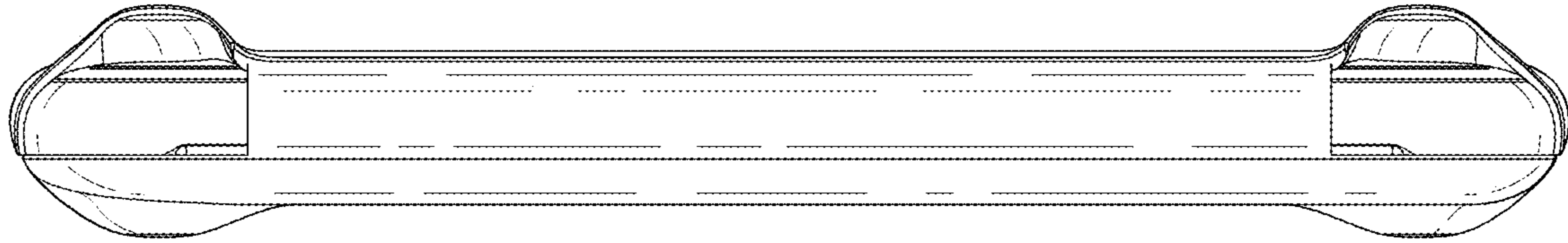


FIG. 13

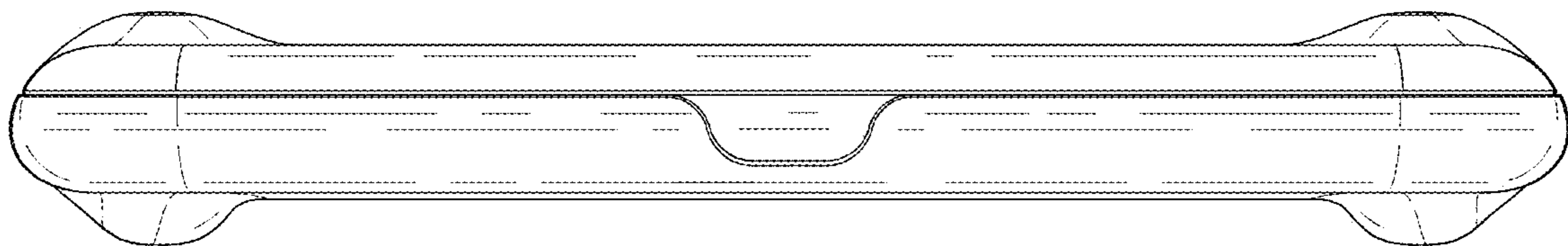


FIG. 14

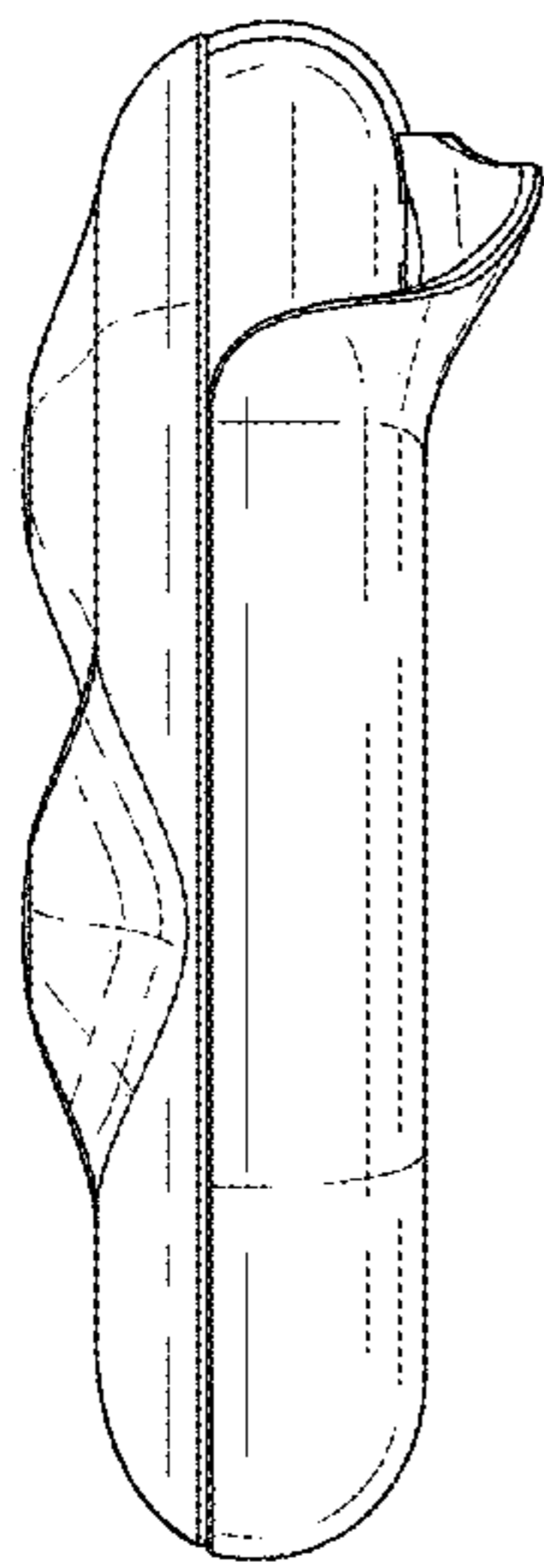


FIG. 15

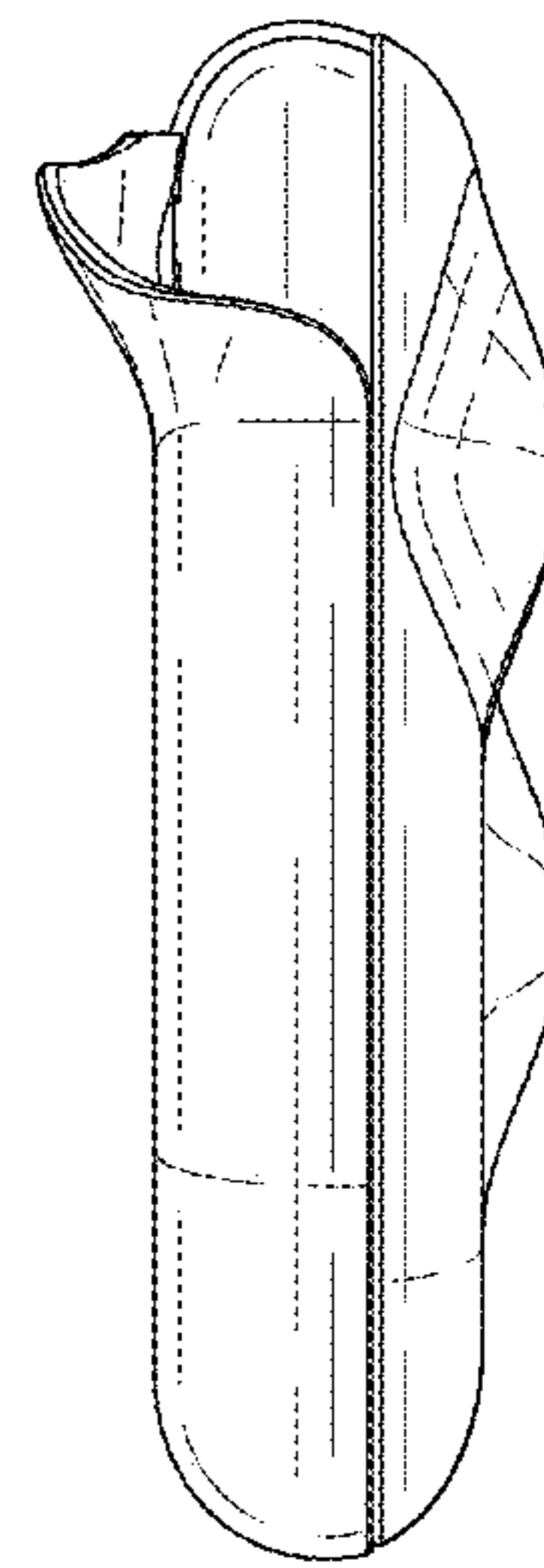


FIG. 16

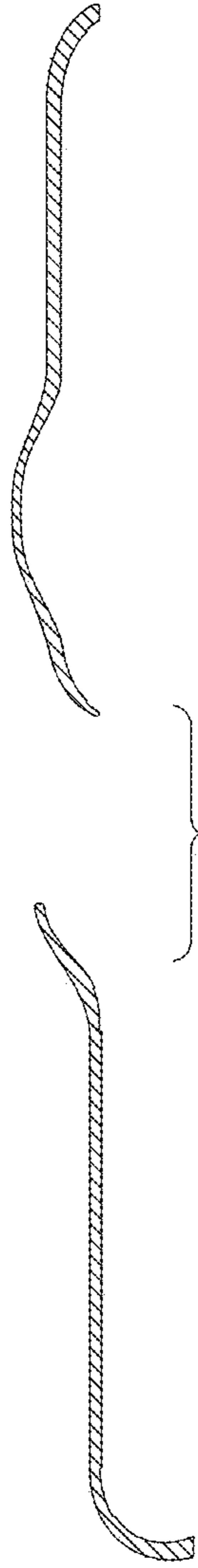


FIG. 17

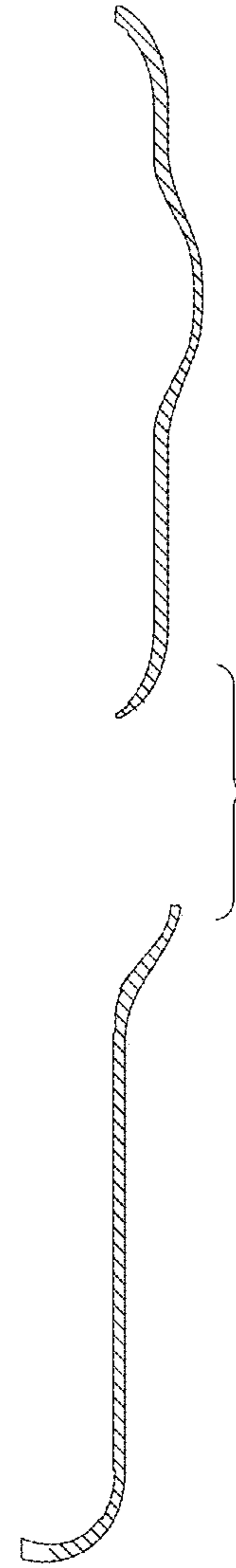


FIG. 18

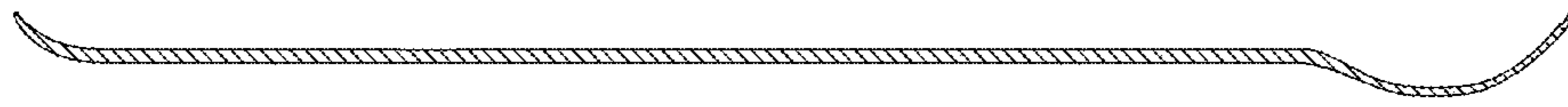


FIG. 19

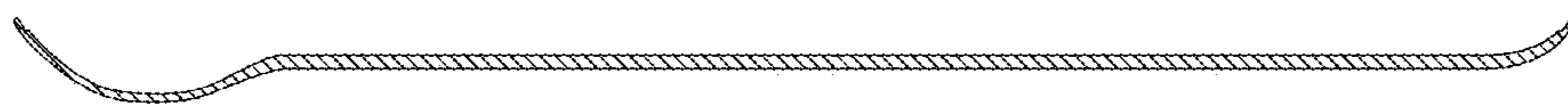


FIG. 20

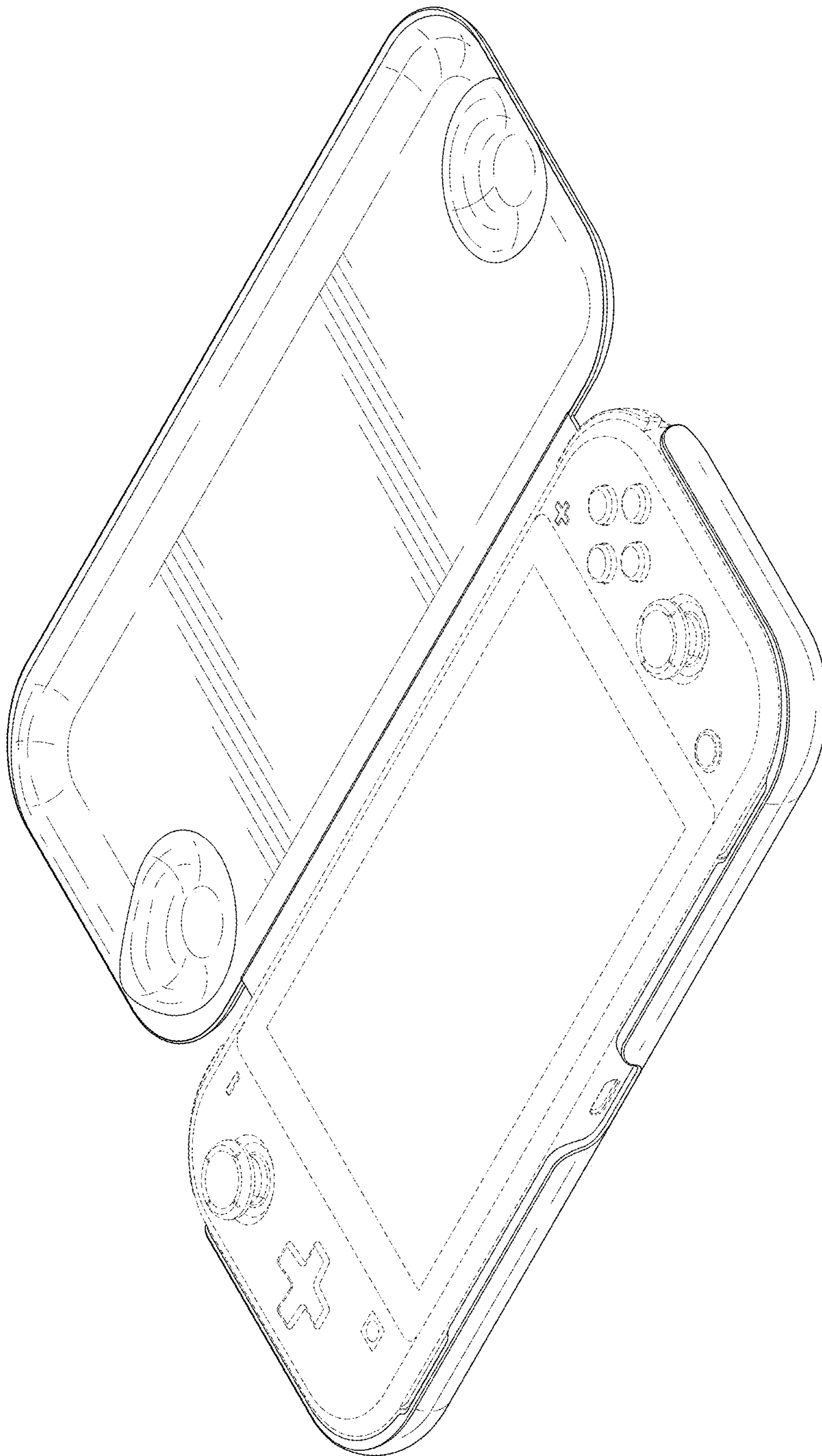


FIG. 21