



US00D918212S

(12) **United States Design Patent** (10) **Patent No.:** **US D918,212 S**  
**Mecchella et al.** (45) **Date of Patent:** **\*\* May 4, 2021**

- (54) **ELECTRONIC DEVICE COVER**
- (71) Applicant: **Amazon Technologies, Inc.**, Seattle, WA (US)
- (72) Inventors: **Monica Liane Mecchella**, San Francisco, CA (US); **Jesse Wheeler Moore**, Oakland, CA (US)
- (73) Assignee: **Amazon Technologies, Inc.**, Seattle, WA (US)
- (\*\*) Term: **15 Years**
- (21) Appl. No.: **29/679,884**
- (22) Filed: **Feb. 11, 2019**

D649,144 S *	11/2011	Fathollahi	.....	D14/250
D669,457 S	10/2012	Li		
D673,159 S	12/2012	McCarthy et al.		
D685,358 S *	7/2013	Armstrong	.....	D14/250
D685,786 S *	7/2013	Seoc	.....	D14/353
D690,292 S *	9/2013	Bibla	.....	D14/250
D693,823 S	11/2013	Chen et al.		
D704,685 S	5/2014	Yeh et al.		
D713,847 S	9/2014	Su		
D715,785 S *	10/2014	Jacob	.....	D14/250
D719,144 S *	12/2014	Eulette	.....	D14/250
D720,736 S	1/2015	Chen et al.		
D720,737 S	1/2015	Chen et al.		
D721,686 S *	1/2015	Jacob	.....	D14/250
D729,811 S	5/2015	Alis		

(Continued)

*Primary Examiner* — Cynthia R Underwood  
 (74) *Attorney, Agent, or Firm* — Lee & Hayes, P.C.

**Related U.S. Application Data**

- (63) Continuation of application No. 29/575,211, filed on Aug. 23, 2016, now Pat. No. Des. 841,011.
- (51) **LOC (13) Cl.** ..... **14-02**
- (52) **U.S. Cl.**  
USPC ..... **D14/440**
- (58) **Field of Classification Search**  
USPC .... D14/440, 447, 250, 441, 444; 206/45.23, 206/320, 45.2; 361/679.55; 294/25; 224/218  
CPC ..... G06F 1/1628; G06F 1/1626; G06F 1/669; A47B 23/044; H04B 1/3888  
See application file for complete search history.

**References Cited**

**U.S. PATENT DOCUMENTS**

7,337,565 B2	3/2008	Tsutsumi et al.	
D597,052 S *	7/2009	Kim	..... D14/138 AB
D625,698 S	10/2010	Miyazaki et al.	
D626,528 S	11/2010	Park et al.	
D630,179 S	1/2011	Park et al.	
D634,314 S *	3/2011	Fahrendorff	..... D14/250

(57) **CLAIM**

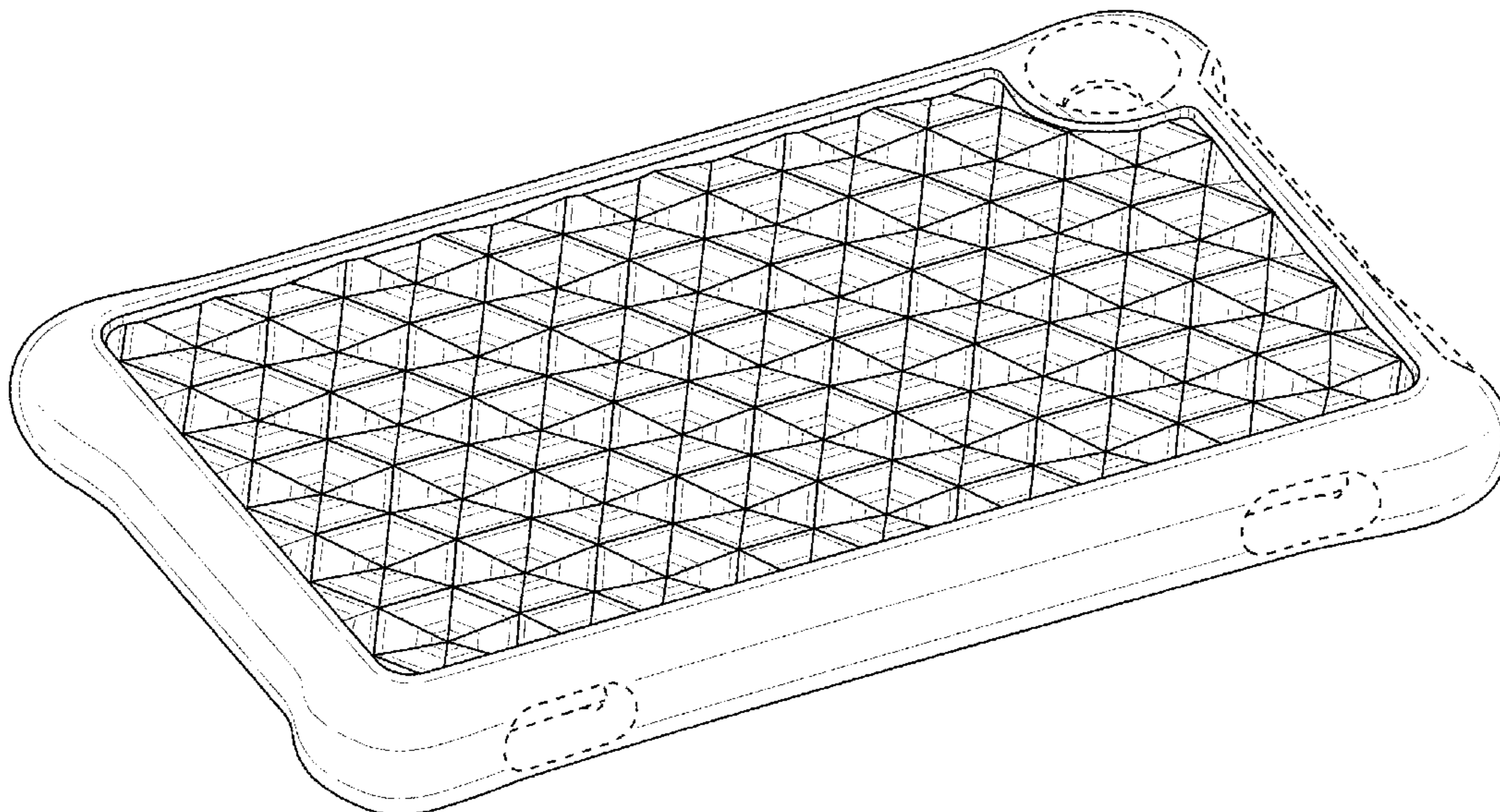
The ornamental design for an electronic device cover, as shown and described.

**DESCRIPTION**

FIG. 1 is a front perspective view of an electronic device cover;  
 FIG. 2 is a back perspective view thereof;  
 FIG. 3 is a front view thereof;  
 FIG. 4 is a back view thereof;  
 FIG. 5 is top view thereof;  
 FIG. 6 is a bottom view thereof;  
 FIG. 7 is a cross-sectional view taken along the line 7-7 shown in of FIG. 3;  
 FIG. 8 is a left-side view thereof; and,  
 FIG. 9 is a right-side view thereof.

The broken lines depict portions of the electronic device cover that form no part of the claimed design. The dot-dashed broken lines represent boundaries of the claimed electronic device cover and form no part of the claimed design.

**1 Claim, 6 Drawing Sheets**



(56)

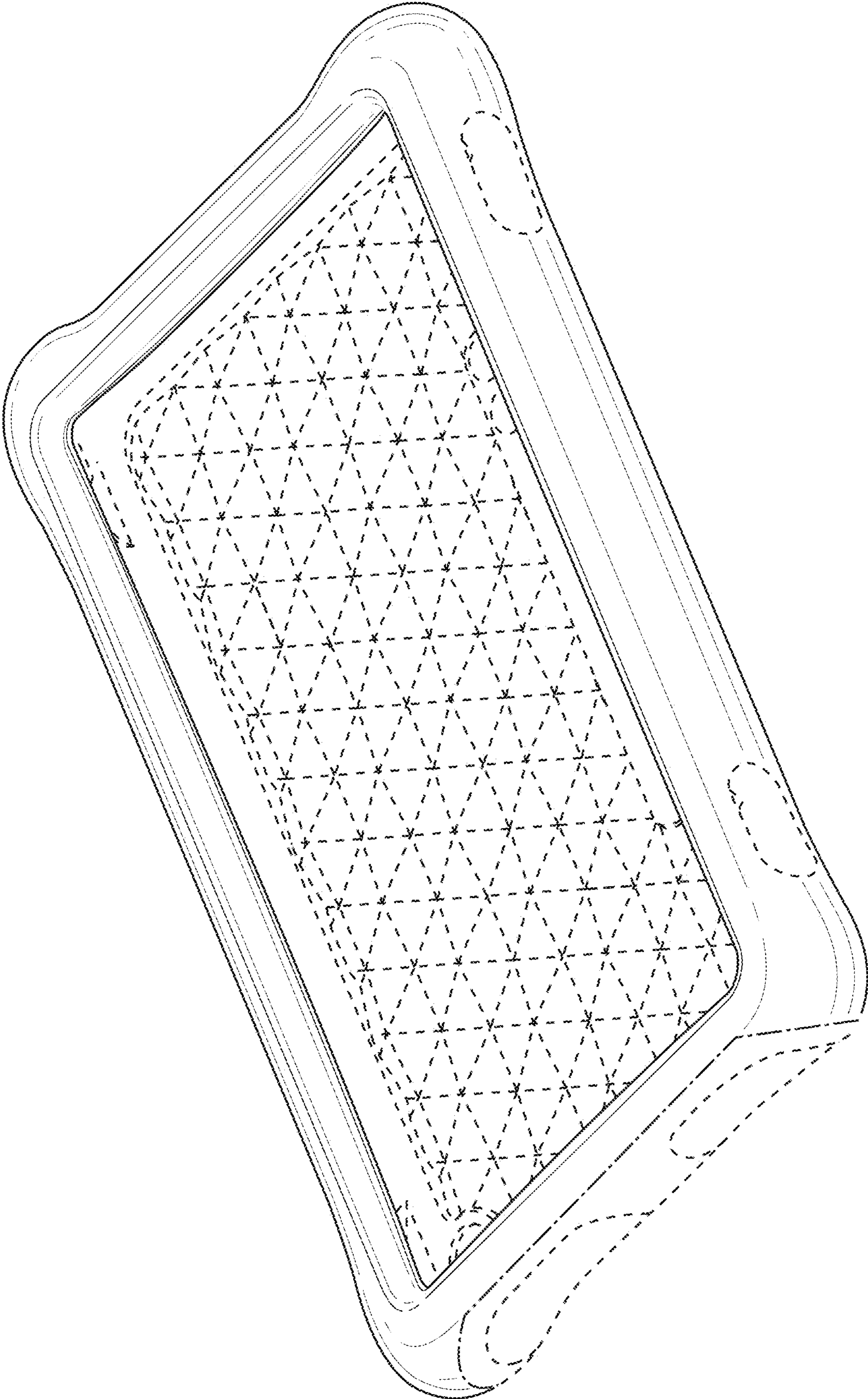
References Cited

U.S. PATENT DOCUMENTS

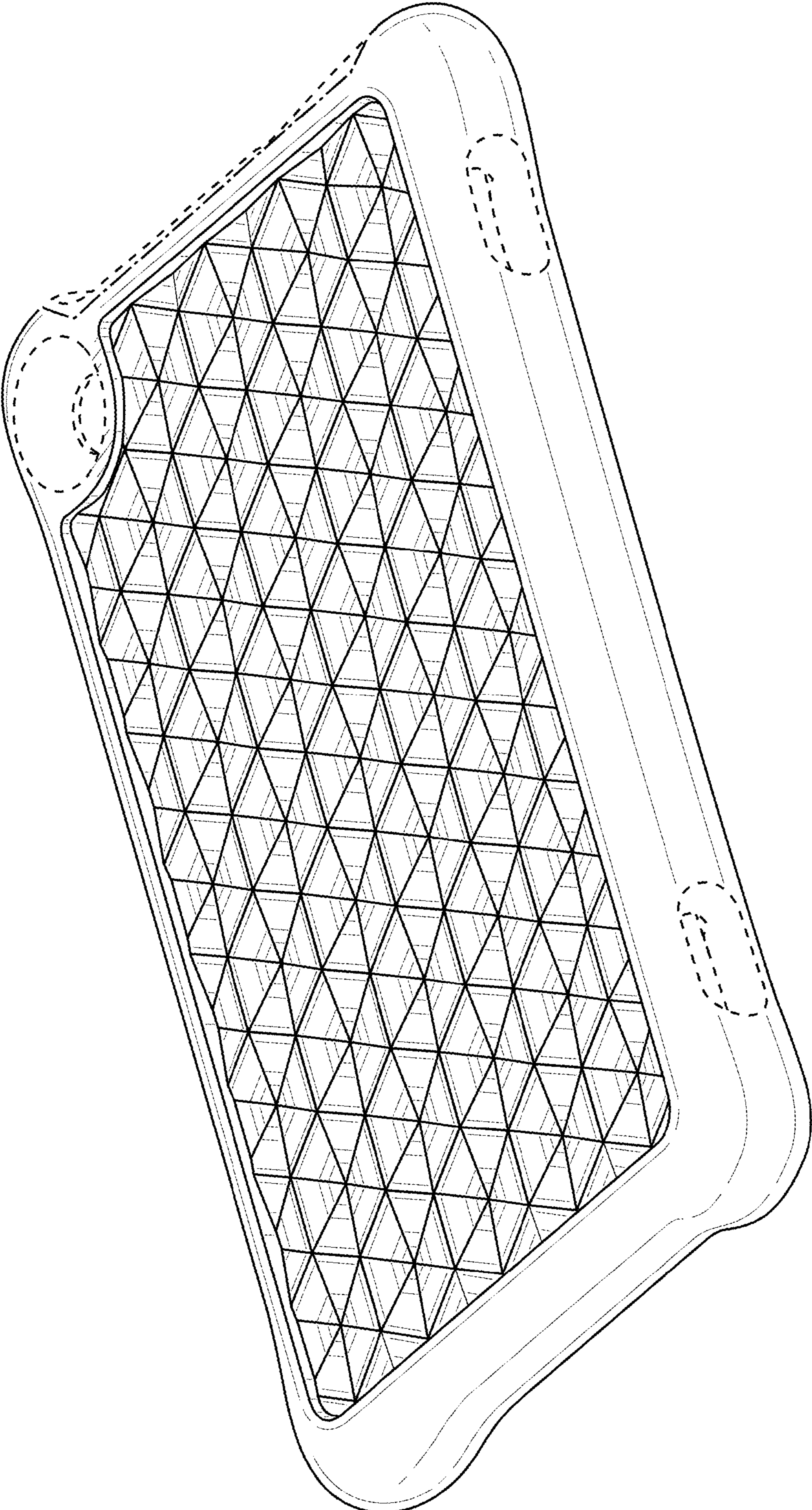
D733,154 S *	6/2015	Armstrong	.....	D14/440	D868,071 S *	11/2019	Liu	.....	D14/440
D733,696 S *	7/2015	Burgett	.....	D14/250	D868,788 S *	12/2019	Weng	.....	D14/440
D742,869 S *	11/2015	Odhwani	.....	D14/250	D868,789 S *	12/2019	Weng	.....	D14/440
D766,885 S	9/2016	Armstrong et al.			D868,791 S *	12/2019	Weng	.....	D14/440
D768,123 S *	10/2016	Armstrong	.....	D14/250	D872,093 S *	1/2020	Xu	.....	D14/440
D770,458 S *	11/2016	Corcoran	.....	D14/440	D875,089 S *	2/2020	Hemesath	.....	D14/250
D772,234 S	11/2016	Massucco et al.			D879,790 S *	3/2020	Donachy	.....	D14/444
D772,288 S *	11/2016	Montes	.....	D14/489	D885,399 S *	5/2020	Chen	.....	D14/440
D775,198 S *	12/2016	Montes	.....	D14/489	D892,803 S *	8/2020	Armstrong	.....	D14/440
D794,626 S *	8/2017	Armstrong	.....	D14/250	2003/0003956 A1	1/2003	Maenpaa et al.		
D806,082 S *	12/2017	Armstrong	.....	D14/440	2010/0089779 A1	4/2010	Bowers		
D825,571 S	8/2018	Shannon, III			2011/0297566 A1 *	12/2011	Gallagher	.....	F16M 11/2021 206/320
D832,269 S *	10/2018	Cheng	.....	D14/440	2012/0261289 A1	10/2012	Wyner et al.		
D832,271 S *	10/2018	Cheng	.....	D14/440	2019/0142992 A1 *	5/2019	Davidson	.....	C08G 18/10 424/445
10,148,307 B2 *	12/2018	Shannon, III	.....	G06F 1/1628	2019/0144163 A1 *	5/2019	Lim	.....	B65D 19/385 108/53.5
D843,377 S *	3/2019	Tang	.....	D14/440	2019/0149808 A1 *	5/2019	Ng	.....	H04N 13/305 348/59
D844,621 S *	4/2019	Chen	.....	D14/440	2019/0275714 A1 *	9/2019	Kanoh	.....	B29C 45/14065
D851,648 S *	6/2019	Tan	.....	D14/440					
D852,203 S *	6/2019	Rui	.....	D14/440					
D861,665 S *	10/2019	Li	.....	D14/250					

\* cited by examiner



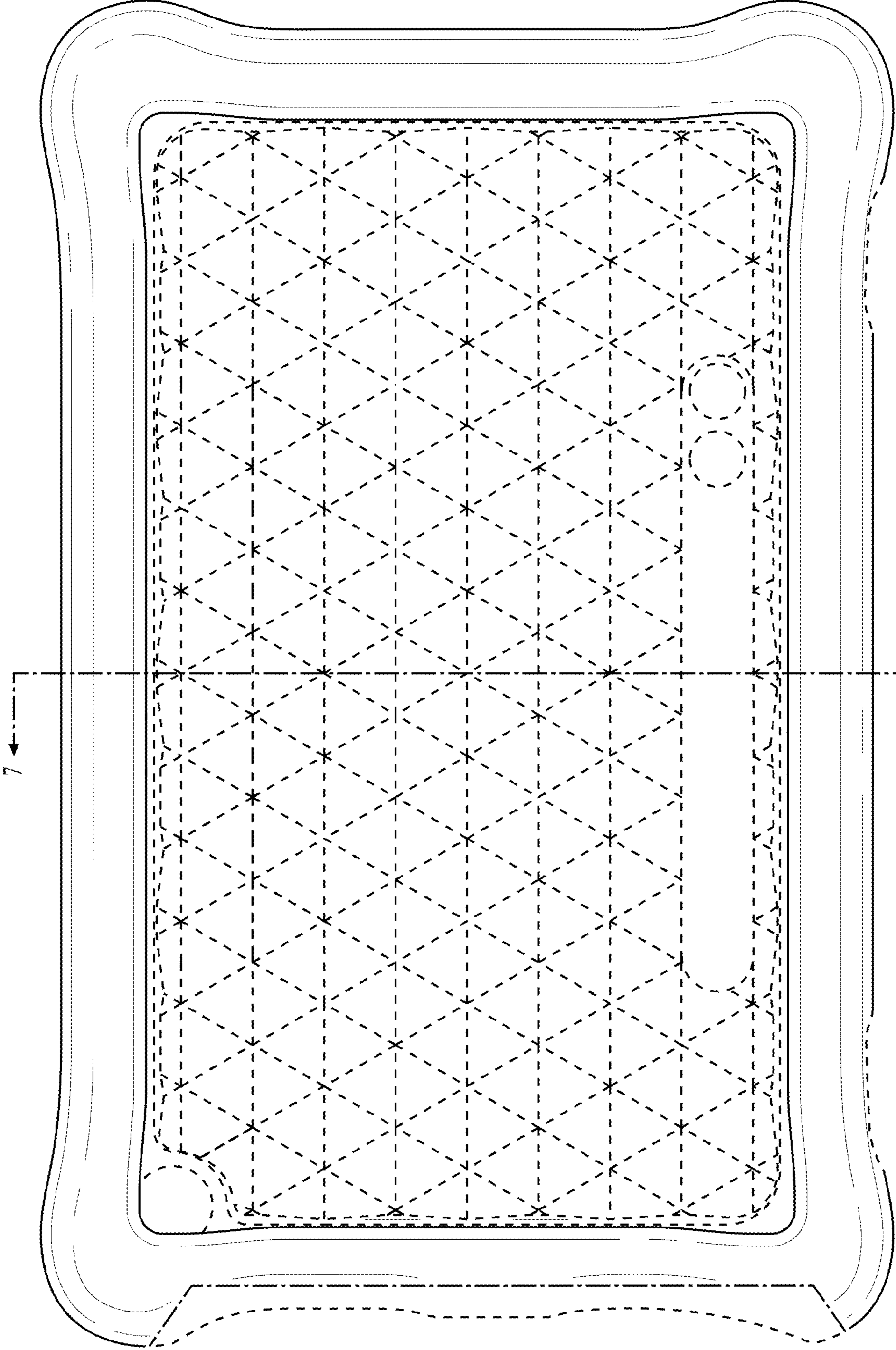


**FIG. 1**



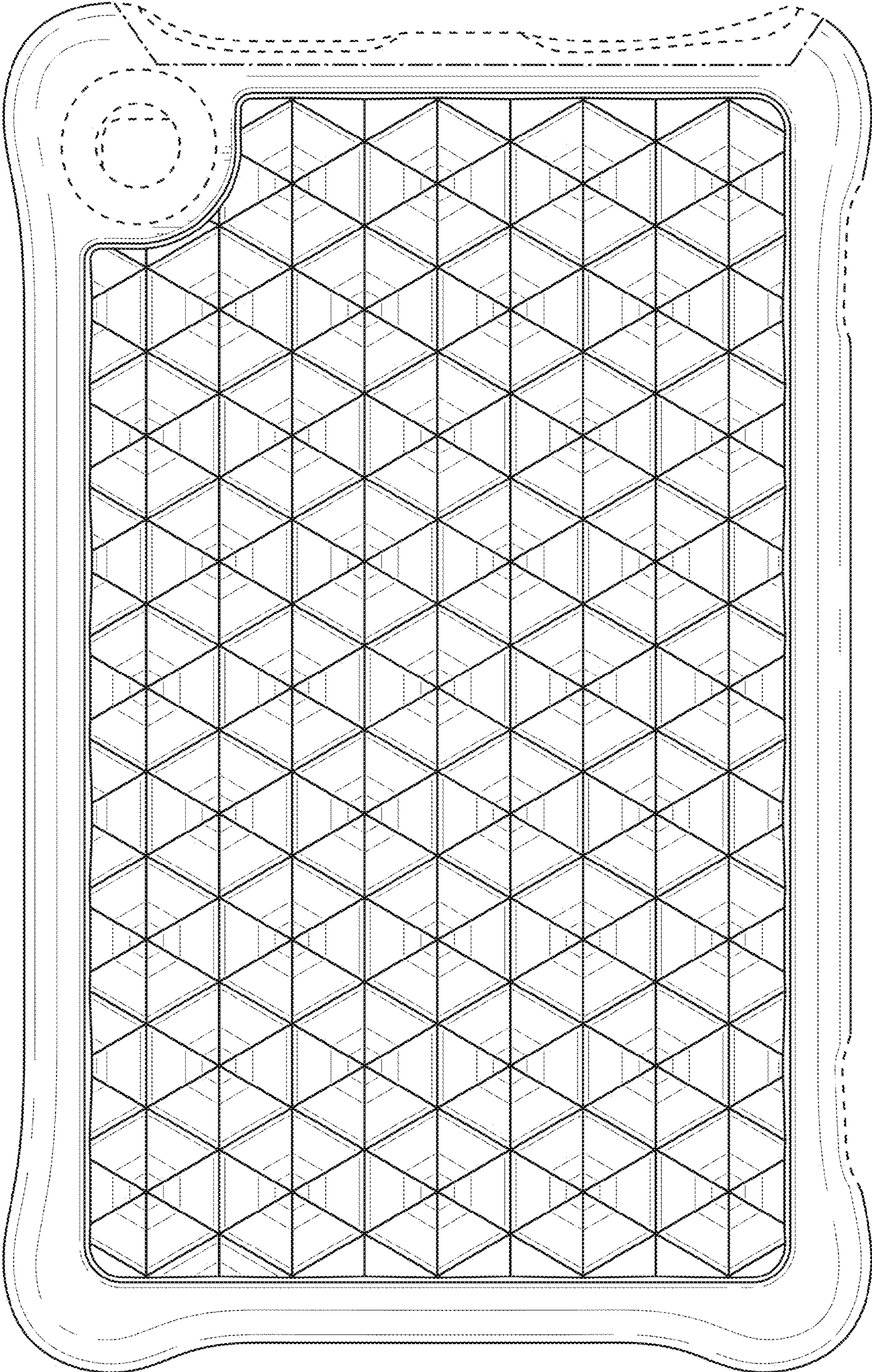
**FIG. 2**



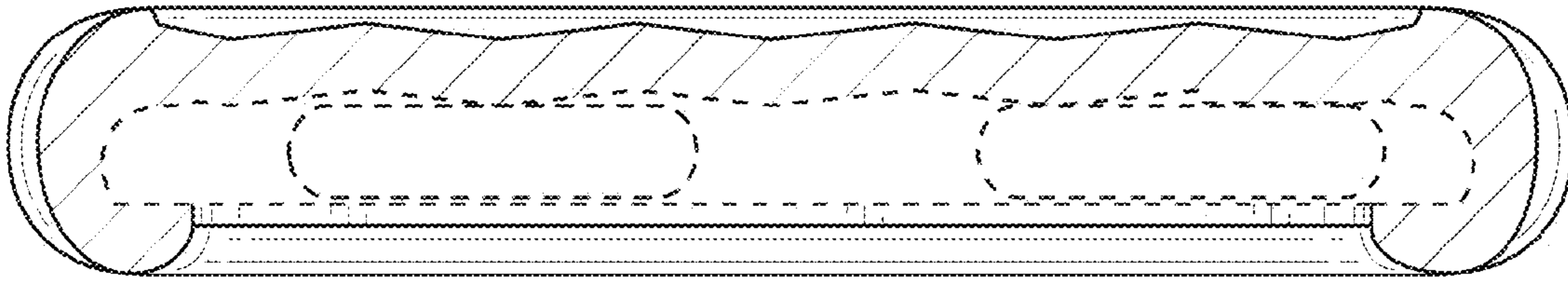


**FIG. 3**

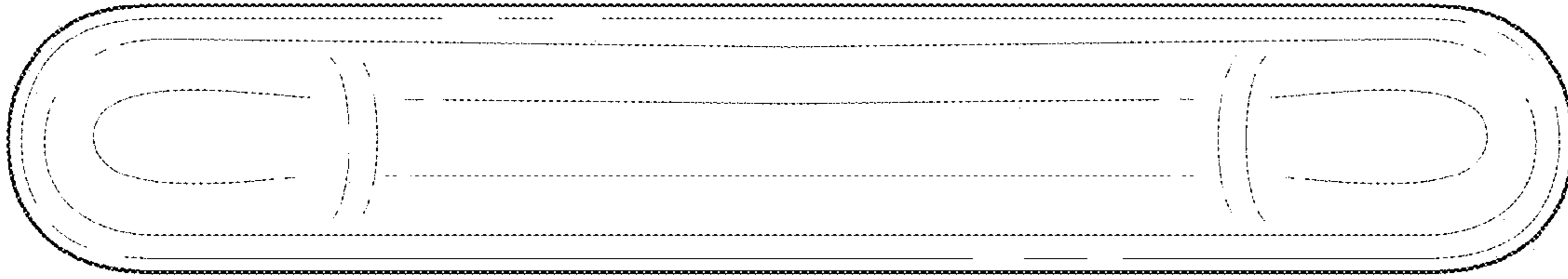




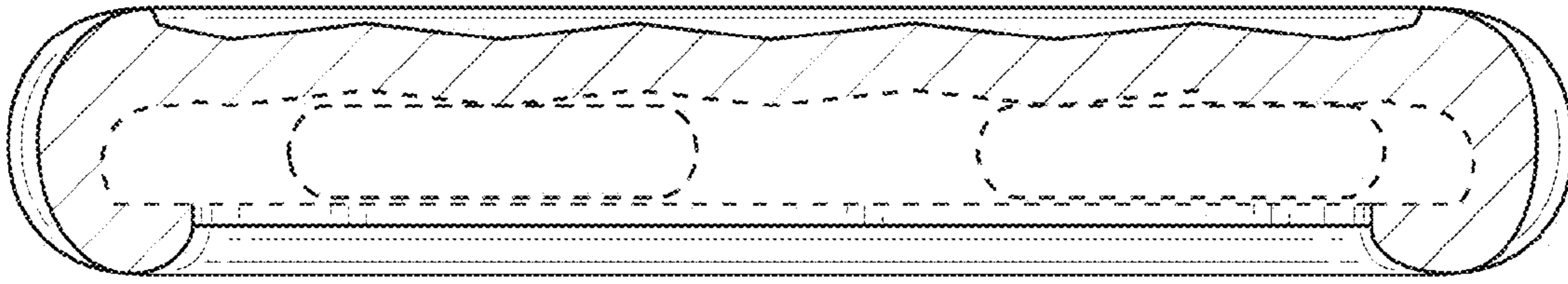
**FIG. 4**



**FIG. 5**

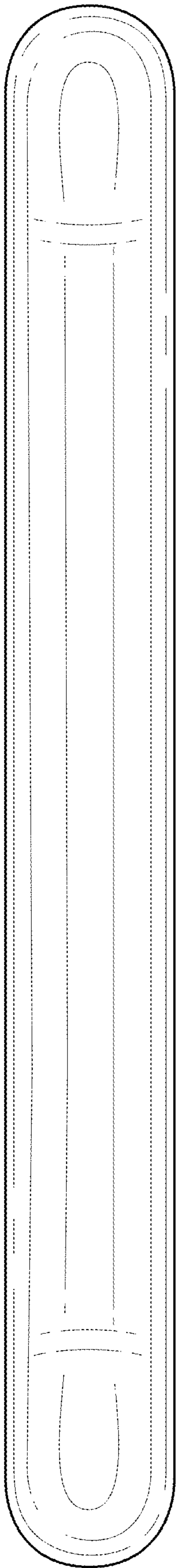


**FIG. 6**

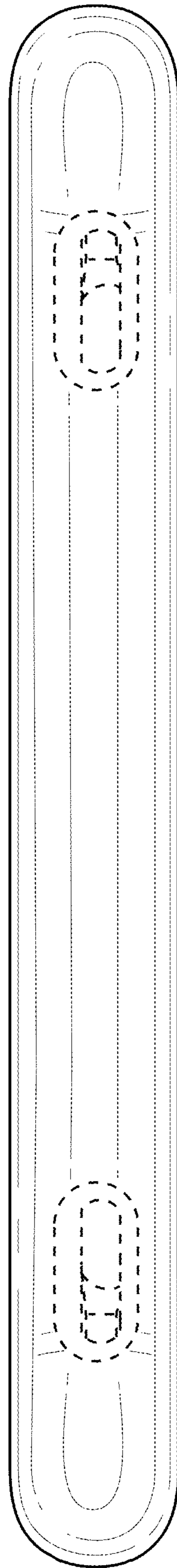


**FIG. 7**





**FIG. 8**



**FIG. 9**