



US00D918210S

(12) **United States Design Patent** (10) **Patent No.:** **US D918,210 S**
Hackett et al. (45) **Date of Patent:** **** May 4, 2021**

(54) **DATA CAPTURE DEVICE**

(71) Applicant: **ZEBRA TECHNOLOGIES CORPORATION**, Lincolnshire, IL (US)

(72) Inventors: **Edward Anthony Hackett**, Surbiton (GB); **Zhiming Zhang**, Richmond Hill (CA)

(73) Assignee: **Zebra Technologies Corporation**, Lincolnshire, IL (US)

(**) Term: **15 Years**

(21) Appl. No.: **29/686,498**

(22) Filed: **Apr. 4, 2019**

(51) **LOC (13) Cl.** **14-02**

(52) **U.S. Cl.**
USPC **D14/426**

(58) **Field of Classification Search**

USPC D14/420, 426-430, 453, 346, 341, 347, D14/412, 138; D13/107, 184; 358/473; 235/462.43, 462.45, 462.47, 462.48, 235/462.44, 462.46, 487, 472.01, 472.02, 235/145 A, 145 R; D10/78, 57, 2, 46, 52, D10/53, 81; 324/426; D3/273; 710/73; D18/7; 361/679, 728, 679.56; 382/313, 382/321; 455/575.1, 561, 572, 41.2; 345/156, 168, 169, 172, 173, 87; 705/17, 705/18, 22-25; D16/206, 218, 202, 219, D16/208, 209; 356/328; 396/419, 423, 396/424; 374/130, 100, 121, 102, 141, 374/124, 170, 104, 103; 702/130, 135; 348/164, 165, 149, 333.01, 333.11, 348/E5.043, E5.047, E5.09, 33, 82, 348/E5.028, 347, 373, 374, 375; 250/330, 351, 353, 332, 334, 358.1, 250/316.1, 338.1; 600/549, 474, 413, 600/473, 200, 184

CPC G06F 1/626; G06F 1/1626; G06F 1/1656; G06F 1/1632; G06F 1/1684; G06F 1/1635; G06F 8/63; G06F 17/30091;

G06F 9/4401; G06K 7/10881; G06K 7/1098; G06K 7/10722; G06K 7/1404; G06K 7/0004; G06K 7/10633; G06K 7/10851; G06K 7/1091; G06K 7/1092; G06K 7/1093; G06K 7/10; G06K 7/109; G06K 7/1417; G06K 9/228; G06K 17/0022; G06K 17/00; G06K 2207/1011; G06K 2207/1013; G06K 2207/1016; G06K 2207/1018; G06K 2017/0051; G06K 2017/0067; G06K 2007/10524; G07G 1/0081; G07G 1/009; G06Q 20/20; G06Q 20/201; G06Q 20/202; G06Q 20/203; G06Q 20/30; G06Q 20/32; (Continued)

(56) **References Cited**

U.S. PATENT DOCUMENTS

6,031,524 A 2/2000 Kunert
6,319,199 B1 11/2001 Sheehan
(Continued)

Primary Examiner — Susan Moon Lee

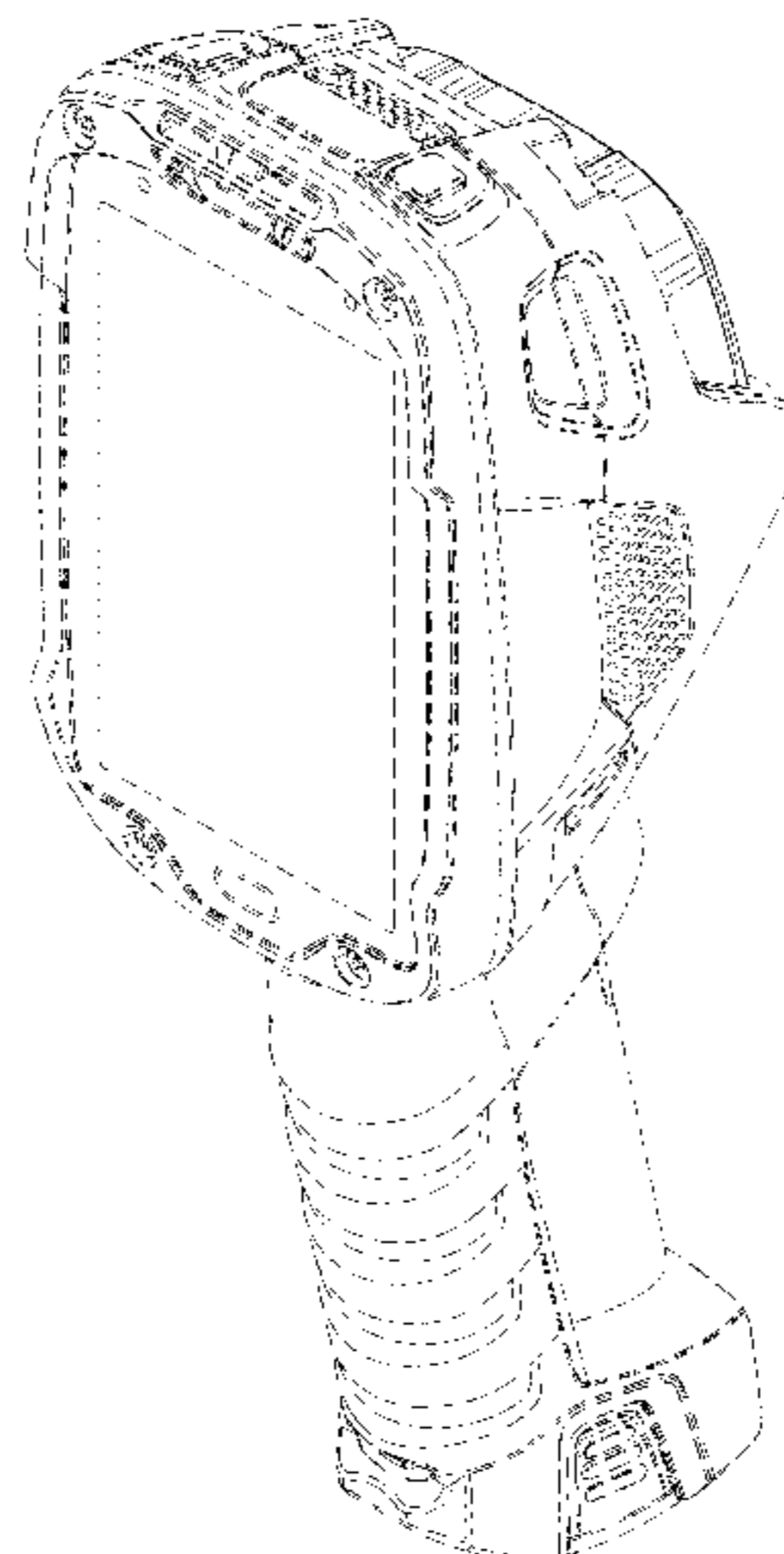
(57) **CLAIM**

We claim the ornamental design for data capture device, as shown and described.

DESCRIPTION

FIG. 1 is a front perspective view of an example data capture device;
FIG. 2 is a rear perspective view thereof;
FIG. 3 is a front view thereof;
FIG. 4 is a rear view thereof;
FIG. 5 is a first side view thereof;
FIG. 6 is a second side view thereof;
FIG. 7 is a top view thereof; and,
FIG. 8 is a bottom view thereof.
Broken lines are for purposes of illustrating environment and form no part of the design claimed.

1 Claim, 8 Drawing Sheets



(58) **Field of Classification Search**

CPC G06Q 20/322; G06Q 20/4014; G06Q 10/087; H04N 1/00127; H04N 1/00135; H04N 1/00326; H04N 1/00334; H04N 1/00307; H04N 1/107; H04N 2201/0084; H04N 2101/00; H04N 5/332; H04N 5/33; H04N 5/2251; H04N 5/2258; H04N 5/2256; H04N 5/23293; H04N 5/23203; H04N 5/2254; H04N 5/2252; H04N 5/2253; H04N 5/23229; H04N 5/3651; H04M 1/0249; H04M 1/0262; H04M 1/0266; H04M 1/18; H04M 1/23; H04M 1/236; H04B 1/3827; H04B 1/3833; H04B 1/3877; H04B 1/3883; H04B 1/3888; H04B 2001/3894; H01M 2/1066; G01J 5/025; G01J 5/0265; G01J 5/026; G01J 5/027; G01J 5/02; G01J 5/06; G01J 5/08; G01J 5/04; G01J 5/12; G01J 5/00; G01J 5/18; G01J 5/0834; G01J 5/522; G01J 5/0806; G01J 5/028; G01J 2005/0077; G01J 2005/0081; G02B 7/08; G02B 7/04; G01K 1/02; G01K 3/04; G03B 17/18; G03B 3/02; G03B 3/04; G03B 3/10

See application file for complete search history.

D671,121 S 11/2012 Schickling
 D677,298 S 3/2013 Hallgren
 D710,424 S 8/2014 Hallgren
 D719,471 S 12/2014 Gnauck
 D723,400 S 3/2015 Marzynski
 D723,605 S 3/2015 Palm
 D727,393 S 4/2015 Elrod
 D729,247 S 5/2015 Hackett
 D731,909 S 6/2015 Weakly
 D733,783 S 7/2015 Wu
 D739,279 S 9/2015 Payne
 D741,390 S 10/2015 Mayeur
 D757,838 S 5/2016 Laho
 D763,261 S 8/2016 Choi et al.
 D766,117 S 9/2016 Wong
 D781,860 S 3/2017 Tsiopanos
 9,664,708 B2 5/2017 Dorman
 9,690,965 B2* 6/2017 Mao G06K 7/10881
 9,785,813 B2* 10/2017 Izaki G06K 19/06037
 9,792,478 B2* 10/2017 Mao G06K 7/10881
 D807,374 S 1/2018 Mao
 9,900,524 B2* 2/2018 Lammert G01J 5/027
 2002/0162963 A1 11/2002 Lannestedt
 2004/0124359 A1 7/2004 Hamrelius
 2005/0024495 A1 2/2005 Hamrelius
 2007/0106121 A1 5/2007 Yokota
 2007/0131774 A1 6/2007 Celestini
 2008/0116093 A1 5/2008 Felten
 2009/0102925 A1 4/2009 Sheard
 2009/0109283 A1 4/2009 Scott
 2009/0172591 A1* 7/2009 Pomper G01J 5/026
 715/810

(56)

References Cited

U.S. PATENT DOCUMENTS

D455,750 S 4/2002 Krantz
 D466,540 S 12/2002 Lannestedt
 6,502,754 B1 1/2003 Bhatia et al.
 D472,911 S 4/2003 Bielefeld
 D524,813 S 7/2006 Nakajima
 7,093,974 B2 8/2006 Kienitz
 D533,939 S 12/2006 Root
 7,157,705 B2 1/2007 Hamrelius
 D537,829 S 3/2007 Croley
 D540,838 S 4/2007 Aronsson et al.
 7,236,243 B2 6/2007 Becroft
 D560,527 S 1/2008 Rich
 D574,838 S 8/2008 Palmer
 D575,295 S 8/2008 Palmer
 D583,263 S 12/2008 Sebban
 D585,927 S 2/2009 Sheard
 D594,361 S 6/2009 Miller
 D599,392 S 9/2009 Hamelius
 D617,218 S 6/2010 Jilderos
 7,746,511 B2 6/2010 Hamilton et al.
 D623,754 S 9/2010 Tuhkanen
 7,867,019 B1 1/2011 Loukusa et al.
 8,079,951 B2 12/2011 Yokota
 D652,748 S 1/2012 Jilderos
 D658,222 S 4/2012 Elrod et al.
 D665,440 S 8/2012 Sigward
 D666,928 S 9/2012 Elrod
 D667,040 S 9/2012 Holmes
 D668,561 S 10/2012 Dunkin

2009/0225159 A1 9/2009 Schneider
 2010/0046577 A1 2/2010 Sheard et al.
 2010/0101569 A1 4/2010 Kim
 2010/0148066 A1 6/2010 Stratmann
 2010/0270469 A1 10/2010 Johnson
 2011/0121978 A1 5/2011 WolfgangSchworer
 2012/0224067 A1 9/2012 Stuart
 2012/0314083 A1 12/2012 Ratliff
 2012/0314084 A1 12/2012 Lammert
 2012/0320189 A1 12/2012 Stuart
 2013/0083199 A1 4/2013 Choi
 2013/0155188 A1 6/2013 Heinke
 2013/0162835 A1 6/2013 Forland
 2013/0188058 A1 7/2013 Nguyen
 2013/0321638 A1 12/2013 Stratmann
 2014/0002668 A1 1/2014 Nguyen
 2014/0014728 A1 1/2014 Choi
 2014/0028854 A1 1/2014 Heinke
 2014/0042319 A1 2/2014 Pickett
 2014/0160298 A1 6/2014 Johnson
 2014/0160299 A1 6/2014 Mumaw
 2014/0176725 A1 6/2014 Stuart
 2014/0184805 A1 7/2014 Schmidt
 2014/0267353 A1 9/2014 Schmidt
 2014/0267879 A1 9/2014 Loukusa
 2015/0022667 A1 1/2015 McManus
 2015/0098663 A1 4/2015 Heinke
 2017/0140187 A1 5/2017 Izaki
 2017/0140188 A1 5/2017 Izaki
 2017/0147845 A1 5/2017 Mao
 2017/0147846 A1 5/2017 Mao

* cited by examiner

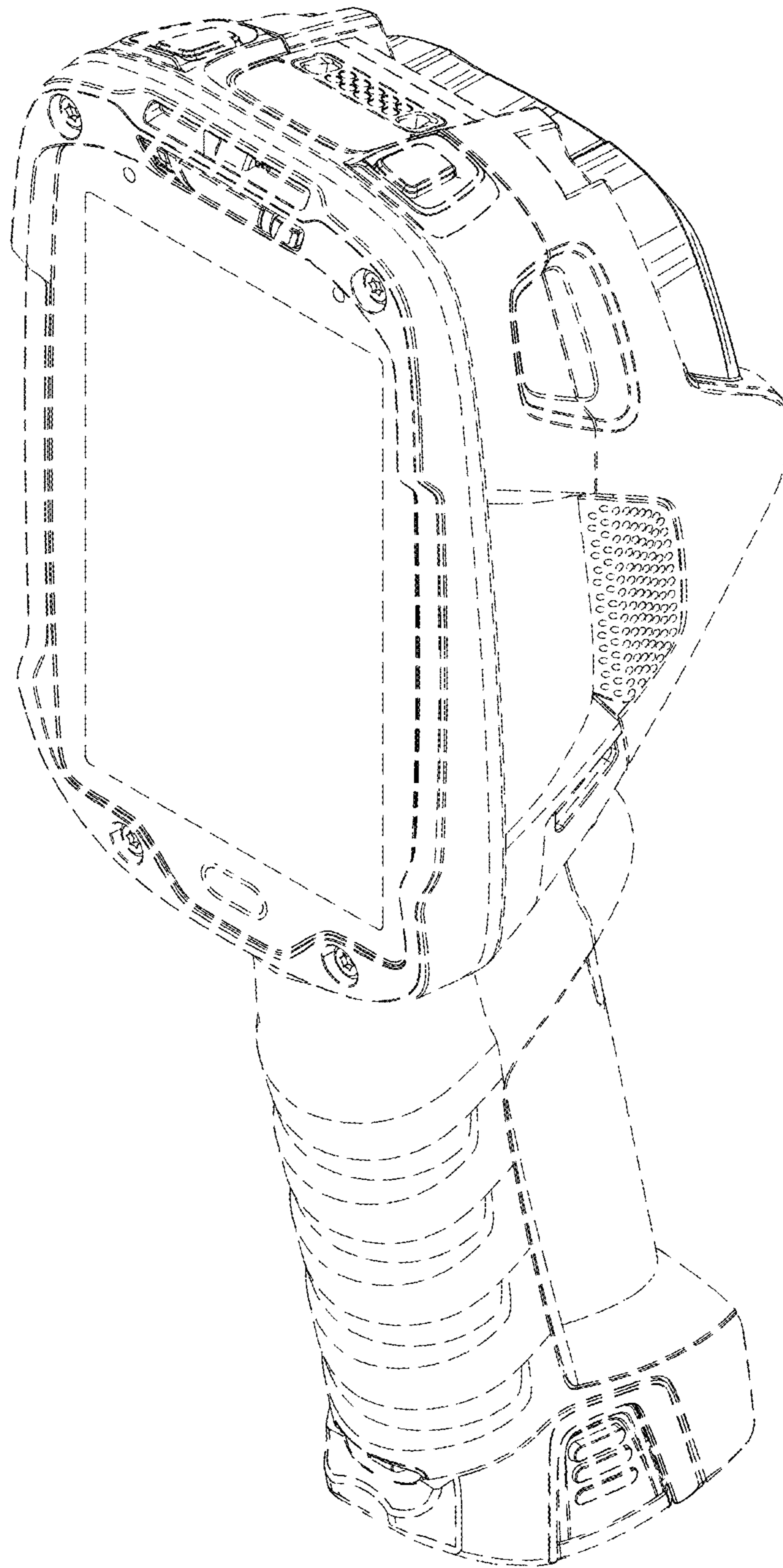


FIG. 1

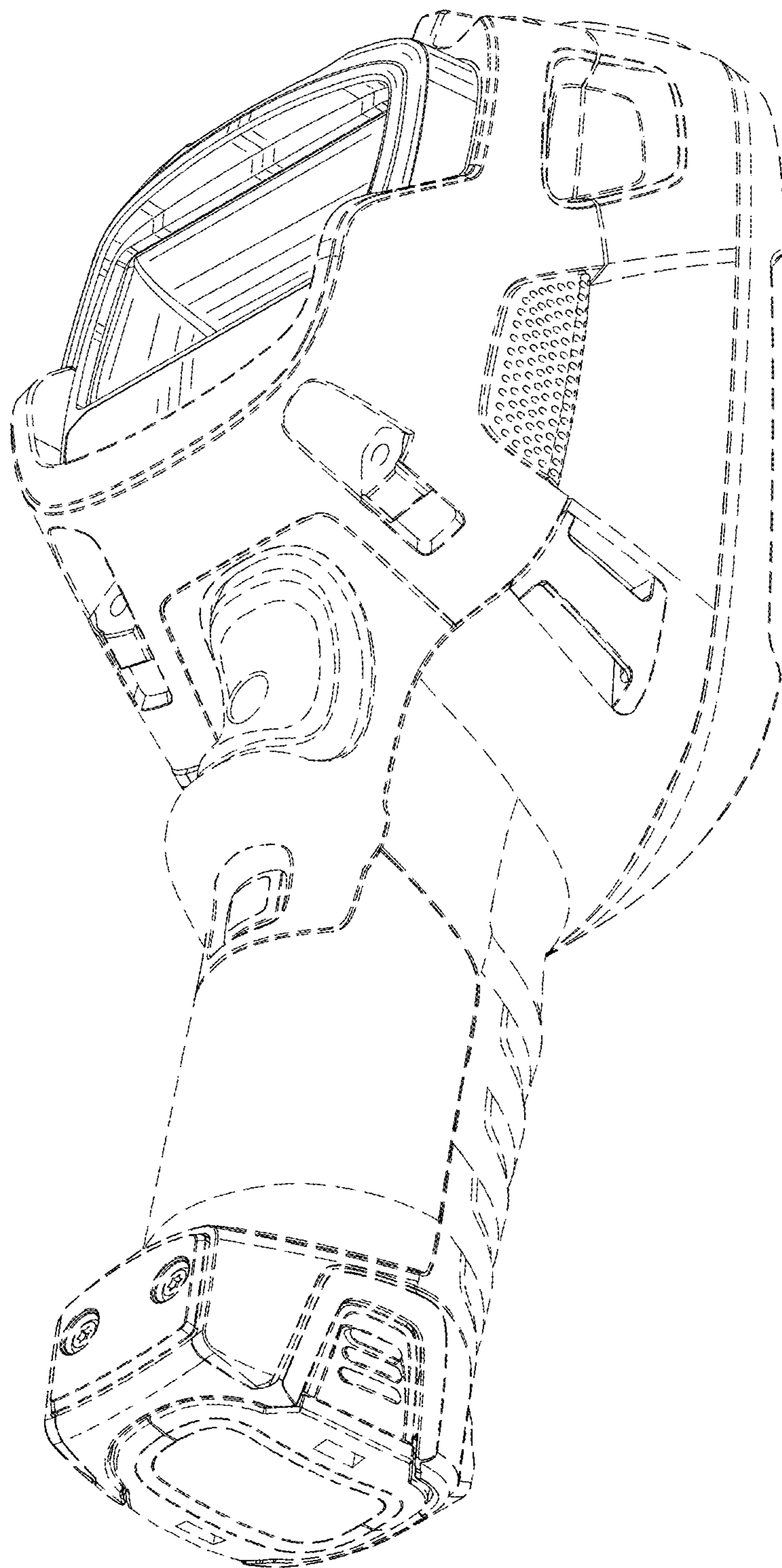


FIG. 2

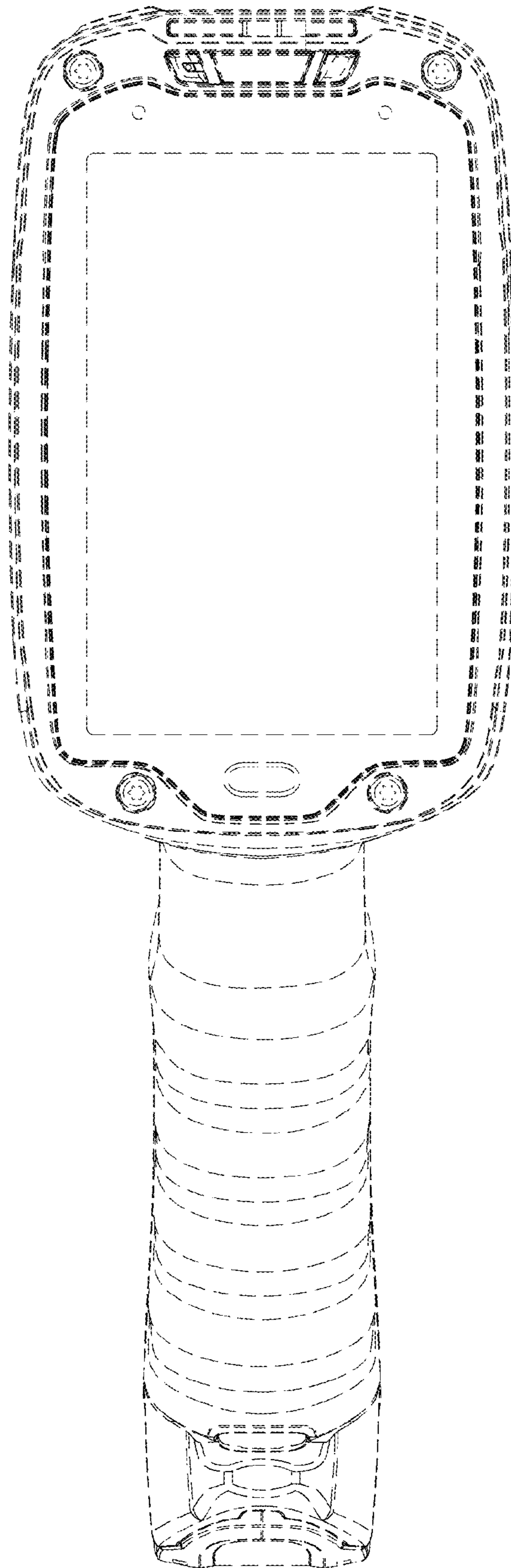


FIG. 3

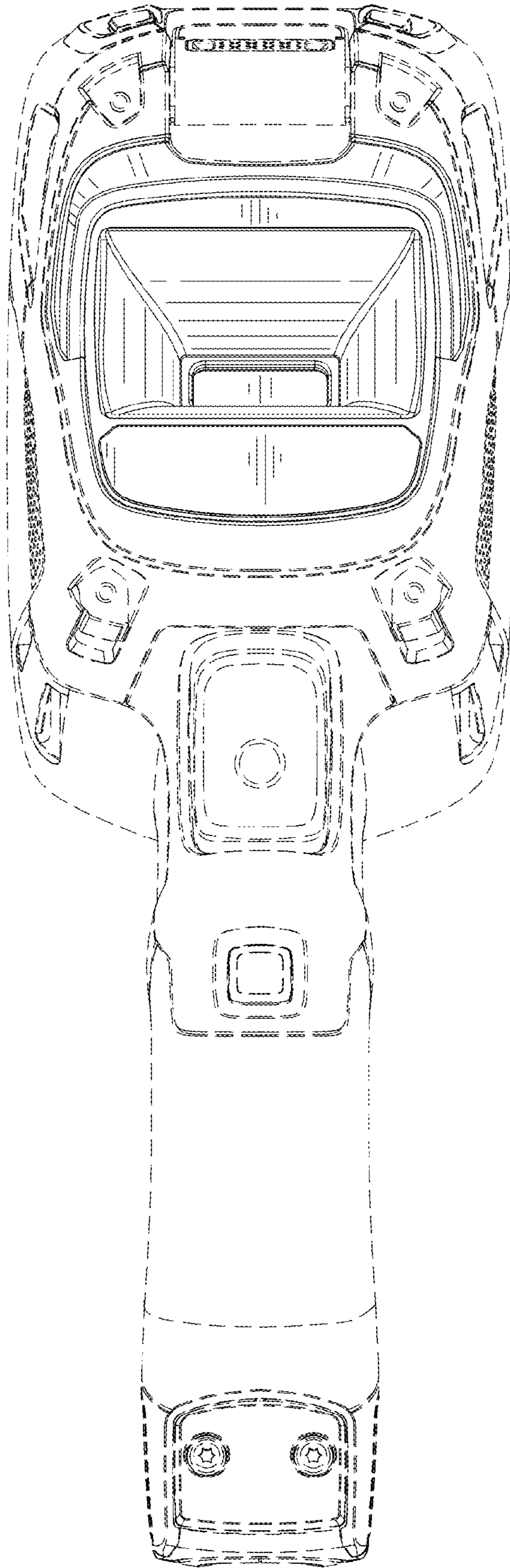


FIG. 4

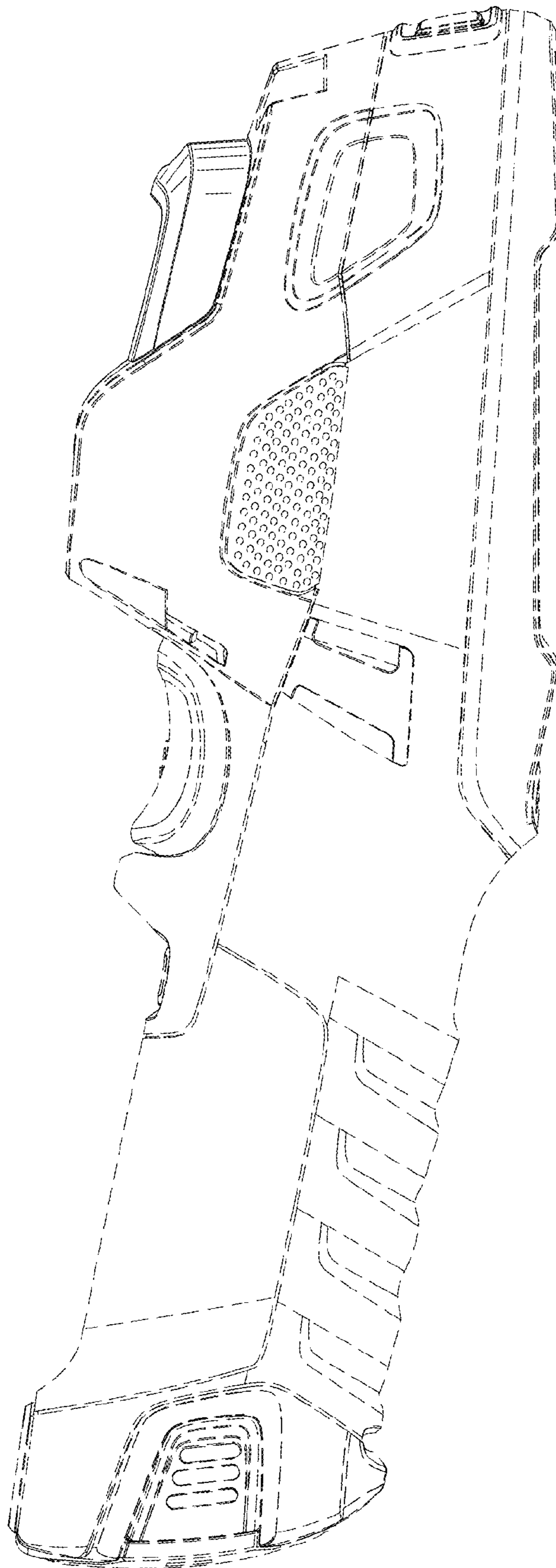


FIG. 5

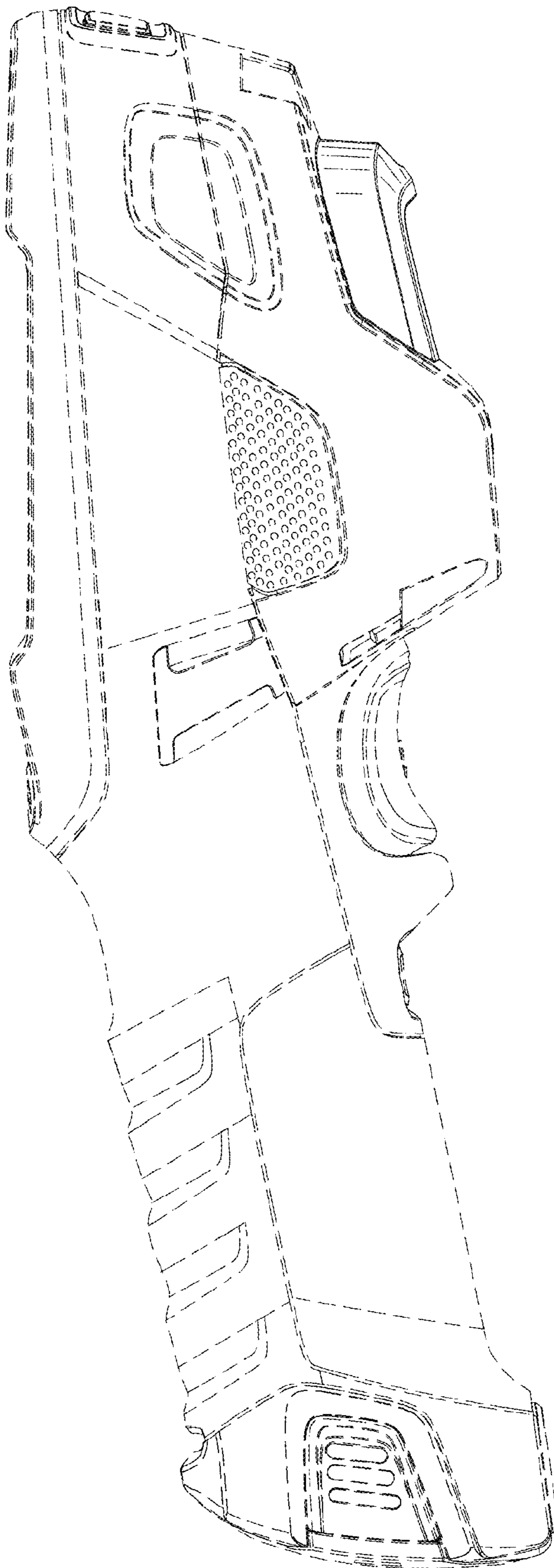


FIG. 6

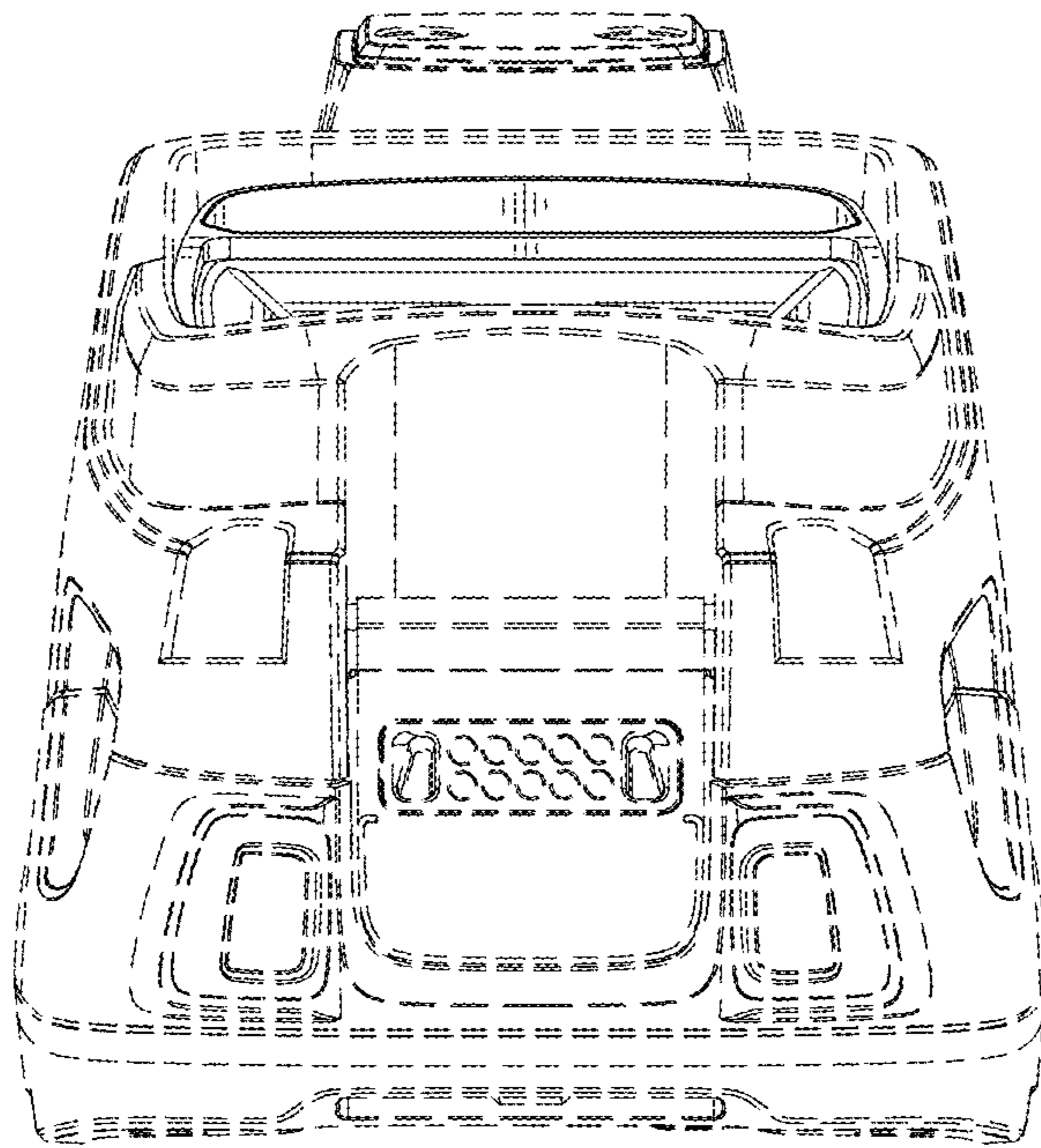


FIG. 7

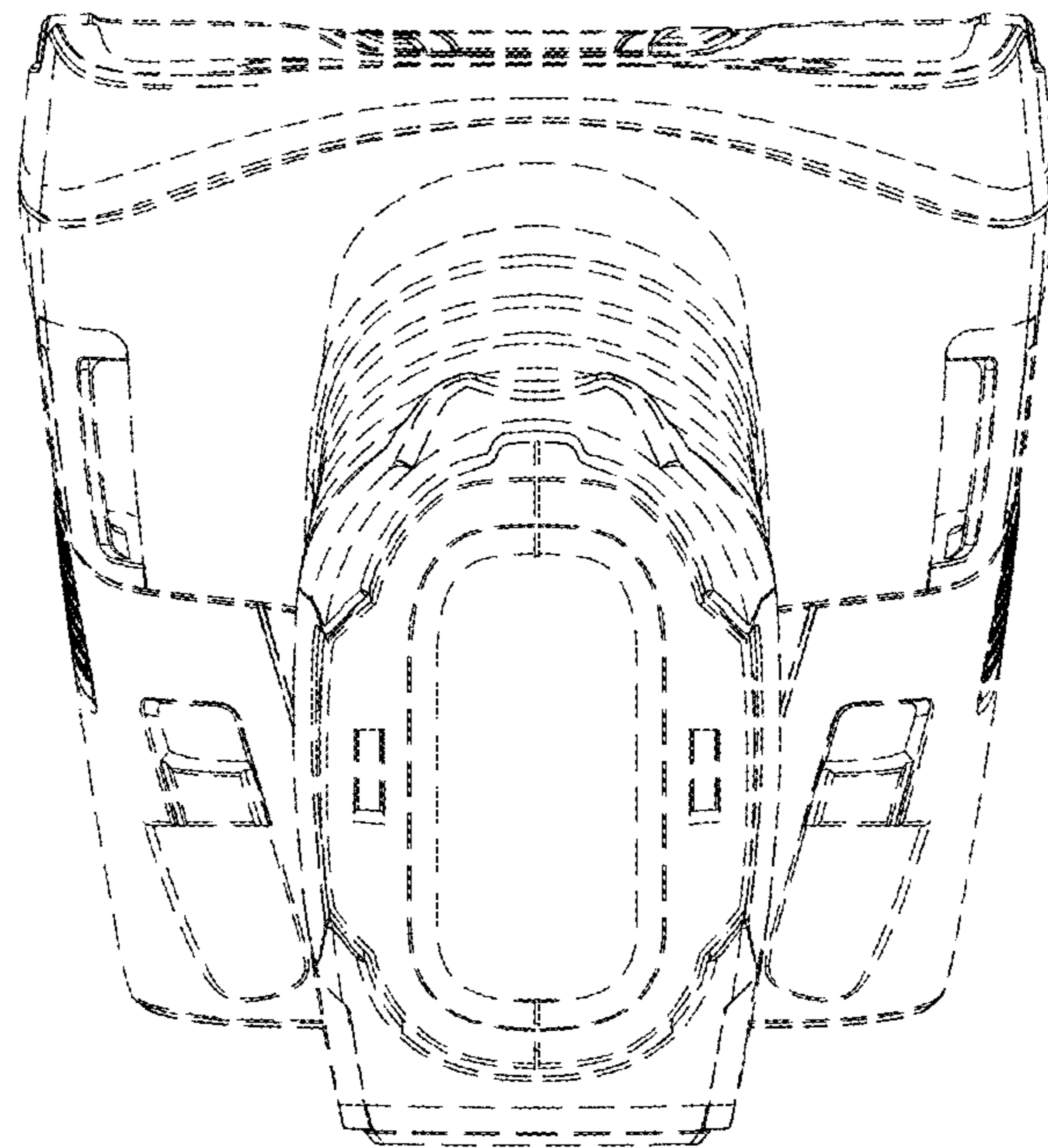


FIG. 8