

US00D918209S

(12) **United States Design Patent** (10) **Patent No.:** **US D918,209 S**
Kenworthy et al. (45) **Date of Patent:** **** May 4, 2021**

(54) **HANDHELD SCANNER TIP**

(71) Applicant: **D4D Technologies, LLC**, Richardson, TX (US)

(72) Inventors: **Grant E. Kenworthy**, Allen, TX (US);
Rod A. Duncan, Lucas, TX (US);
Lasse H. Toimela, Dallas, TX (US)

(73) Assignee: **D4D Technologies, LLC**, Richardson, TX (US)

(**) Term: **15 Years**

(21) Appl. No.: **29/682,916**

(22) Filed: **Mar. 8, 2019**

(51) **LOC (13) Cl.** **14-02**

(52) **U.S. Cl.**
USPC **D14/426**; D14/453; D24/152

(58) **Field of Classification Search**

USPC D14/420, 426-430, 453, 346, 341, 347,
D14/412; D13/107, 184; 358/473;
235/462.43, 462.45, 462.47, 462.48,
235/462.44, 462.46, 487, 472.01, 472.02;
16/110.1, 430, 431; 439/133, 135;
709/219, 201; 710/73; 320/114, 115,
320/123; 361/679; 382/313, 321;
455/575.1, 561, 572; D24/152; 433/29,
433/37, 72, 114, 116; 348/66; 600/178,
600/180, 237, 241

CPC .. A61B 1/24; A61B 1/00; A61B 1/002; A61B
1/05; A61B 1/00009; A61B 1/247; A61B
1/005-0057; A61B 1/00011; A61B
1/00013; A61B 1/0002; A61B 1/00029;
A61B 1/00032; A61B 1/00034; A61B
1/00096; A61B 1/00108; A61B 1/00163;
A61B 5/0088; H04N 5/2251; H04N
5/2256; H04N 5/33; H04N 2005/2255;
H04N 1/00127; H04N 1/00135; H04N
1/00326; H04N 1/00334; H04N 1/00307;
H04N 1/107; H04N 2201/0084; H04N
2101/00; H04N 7/18; A62B 1/04; A61C
1/00; A61C 3/00; G06F 1/626; G06F

1/1626; G06F 1/1656; G06F 1/1632;
G06F 1/1684; G06F 1/1635; G06F 8/63;
G06F 17/30091; G06F 9/4401; G06K
7/10881; G06K 7/1098; G06K 7/10722;
G06K 7/1404; G06K

(Continued)

(56) **References Cited**

U.S. PATENT DOCUMENTS

5,865,725 A * 2/1999 Arai A61B 1/00177
600/169
D414,867 S * 10/1999 Moriwaki D24/152

(Continued)

Primary Examiner — Susan Moon Lee

(74) *Attorney, Agent, or Firm* — David H. Judson

(57) **CLAIM**

The ornamental design for a handheld scanner tip, as shown and described.

DESCRIPTION

FIG. 1 is a first perspective view of a handheld scanner tip in accordance with the present design, shown attached to a handheld scanner body;

FIG. 2 is another perspective view thereof;

FIG. 3 is a bottom view thereof;

FIG. 4 is a side view thereof, the opposite side being a mirror image;

FIG. 5 is a perspective view, as viewed from below, of the handheld scanner tip;

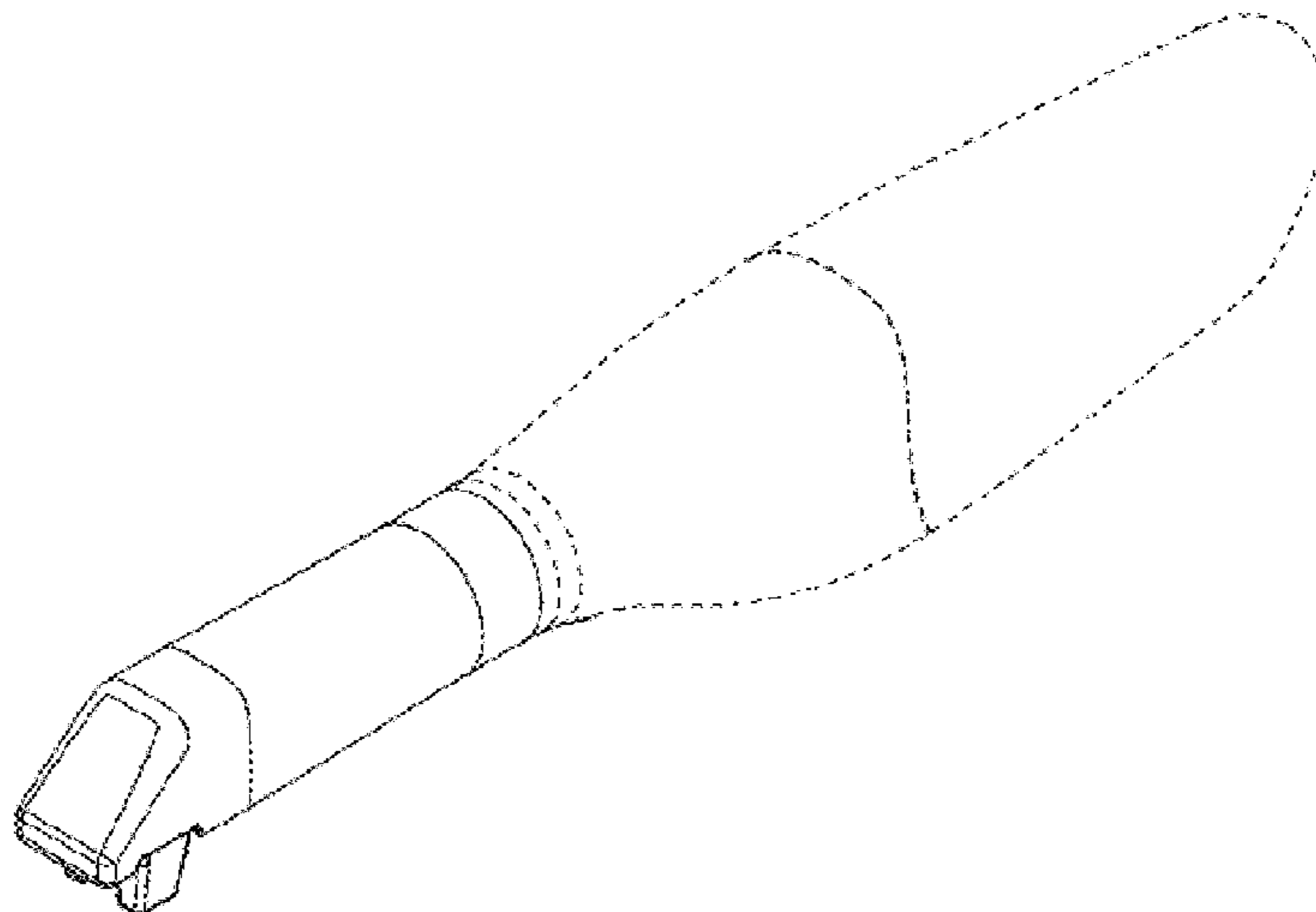
FIG. 6 is an end view of the handheld scanner tip; and,

FIG. 7 is a bottom view of the handheld scanner tip.

The characteristic feature of the design resides in the overall appearance of the handheld scanner tip article.

The broken lines depict a body of a handheld scanner to which the tip of this design is attachable and detachable. All broken lines depict unclaimed portions of the handheld scanner body.

1 Claim, 6 Drawing Sheets



(58) **Field of Classification Search**

CPC 7/0004; G06K 7/10633; G06K 7/10851;
 G06K 7/1091; G06K 7/1092; G06K
 7/1093; G06K 7/10; G06K 7/109; G06K
 7/1417; G06K 9/228; G06K 17/0022;
 G06K 17/00; G06K 2207/1011; G06K
 2207/1013; G06K 2207/1016; G06K
 2207/1018; G06K 2017/0051; G06K
 2017/0067; G06K 2007/10524; G07G
 1/0081; G07G 1/009; G06Q 20/20; G06Q
 20/201-203; G06Q 20/30; G06Q 20/32;
 G06Q 20/322; G06Q 20/4014; G06Q
 10/087; H04M 1/0249; H04M 1/0262;
 H04M 1/0266; H04M 1/18; H04M 1/23;
 H04M 1/236; H04B 1/3827; H04B
 1/3833; H04B 1/3877; H04B 1/3883;
 H04B 1/3888; H04B 2001/3894; H01M
 2/1066

See application file for complete search history.

(56) **References Cited**

U.S. PATENT DOCUMENTS

6,095,811 A * 8/2000 Stearns A61B 1/00142
 433/116
 6,181,369 B1 * 1/2001 Ooshima A61B 1/00177
 348/66
 D467,660 S * 12/2002 Cianciosi D24/137
 D468,429 S * 1/2003 Bareth D24/137
 6,648,817 B2 * 11/2003 Schara A61B 1/00183
 600/173
 6,908,307 B2 * 6/2005 Schick A61B 1/24
 396/322
 D533,946 S * 12/2006 Lintner D24/152
 7,255,558 B2 * 8/2007 Babayoff A61B 1/253
 433/29
 7,270,543 B2 * 9/2007 Stookey A61B 1/247
 433/215
 D558,345 S * 12/2007 Witt D24/152
 D576,674 S * 9/2008 Tseng D14/411
 D587,810 S * 3/2009 Weber D24/186
 D613,865 S * 4/2010 De Charentenay D24/137
 D625,819 S * 10/2010 Kagawa D24/152
 D630,747 S * 1/2011 Shinohara D24/137
 7,946,846 B2 * 5/2011 Babayoff A61B 1/253
 433/29
 D648,026 S * 11/2011 Okawa D24/152
 D653,340 S * 1/2012 Goerge D24/152
 D653,761 S * 2/2012 Lytle D24/209
 D669,583 S * 10/2012 Kagawa D24/152

8,360,771 B2 * 1/2013 Stookey A61B 1/00041
 433/29
 D678,525 S * 3/2013 Shinohara D24/152
 D686,621 S * 7/2013 Pawlus D14/411
 8,500,447 B2 * 8/2013 Rothenwaender A61C 1/088
 433/29
 D711,951 S * 8/2014 Mazuir D16/218
 D722,164 S * 2/2015 Graham, II D24/152
 D742,518 S * 11/2015 Barak D24/158
 9,241,616 B1 * 1/2016 Mortensen G03B 15/14
 D760,901 S * 7/2016 Barak D24/158
 D780,182 S * 2/2017 Klein D14/426
 D785,176 S * 4/2017 Tseng D16/208
 D810,293 S * 2/2018 Peel D24/152
 D862,697 S * 10/2019 Kenworthy D24/158
 D878,588 S * 3/2020 Chang D24/152
 D884,175 S * 5/2020 Aubailly D24/152
 2001/0000672 A1 * 5/2001 Ooshima A61B 1/247
 348/65
 2003/0107652 A1 * 6/2003 Williams A61B 1/042
 348/207.99
 2003/0142206 A1 * 7/2003 Williams H04N 7/183
 348/66
 2005/0003323 A1 * 1/2005 Katsuda A61B 1/00101
 433/29
 2007/0126865 A1 * 6/2007 Boyer A61B 1/045
 348/66
 2008/0182222 A1 * 7/2008 Li A61C 1/088
 433/29
 2010/0238279 A1 * 9/2010 Thoms A61B 1/247
 348/77
 2011/0221878 A1 * 9/2011 Kitaoka A61B 1/0684
 348/66
 2012/0056993 A1 * 3/2012 Luqman H04N 5/2256
 348/47
 2012/0130254 A1 * 5/2012 Hackel A61B 1/247
 600/476
 2013/0034825 A1 * 2/2013 Phillips A61B 1/00066
 433/29
 2013/0183633 A1 * 7/2013 Dillon A61B 1/00048
 433/31
 2013/0203010 A1 * 8/2013 Inglese A61B 1/00011
 433/29
 2013/0286174 A1 * 10/2013 Urakabe A61B 1/247
 348/66
 2014/0248576 A1 * 9/2014 Tchouprakov A61B 1/00009
 433/30
 2014/0313299 A1 * 10/2014 Gebhardt H04N 5/2251
 348/66
 2015/0208910 A1 * 7/2015 Wang A61B 1/247
 433/29
 2019/0247163 A1 * 8/2019 Wu A61C 9/0053
 2019/0282342 A1 * 9/2019 Aubailly A61B 1/04

* cited by examiner

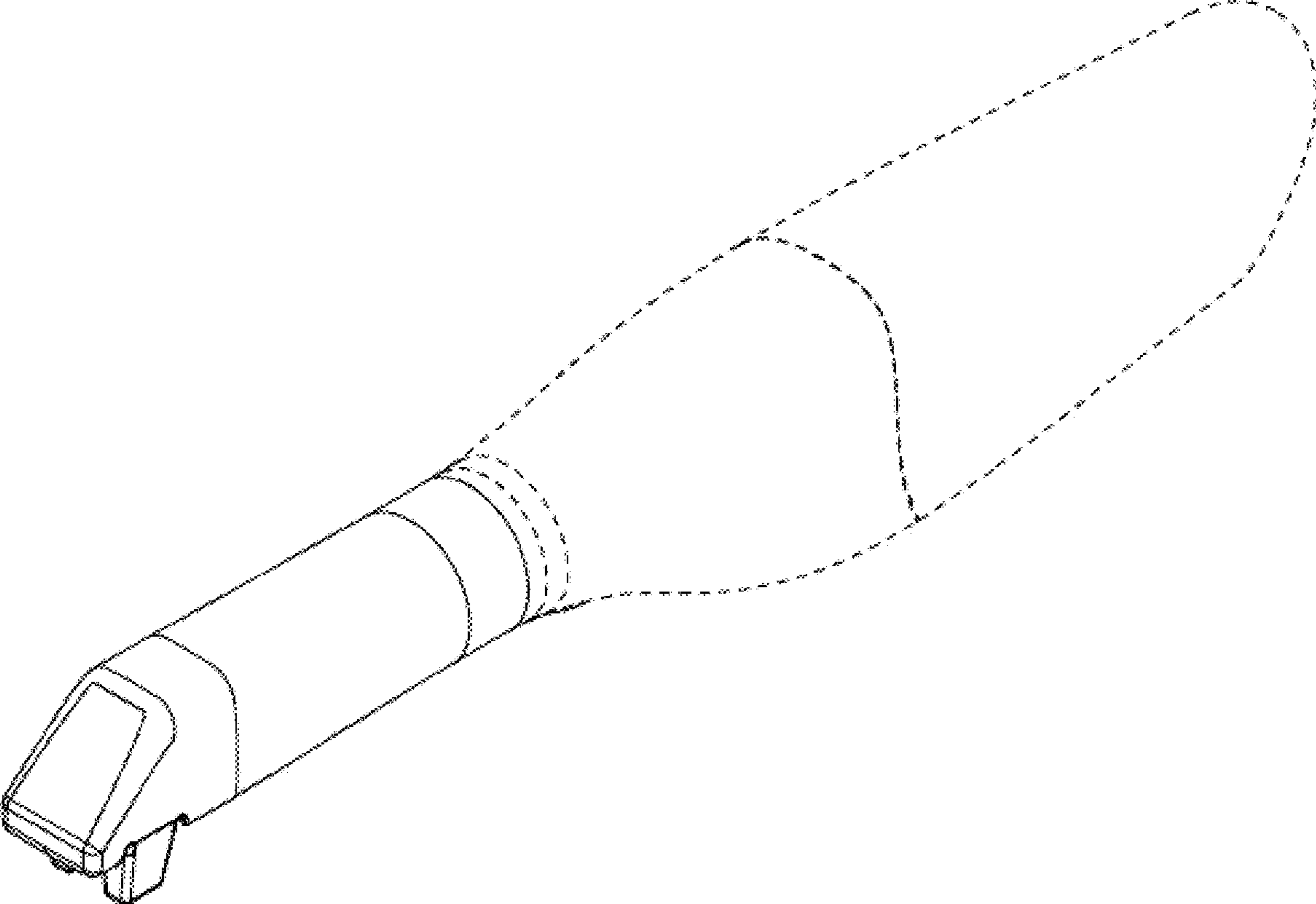


FIG. 1

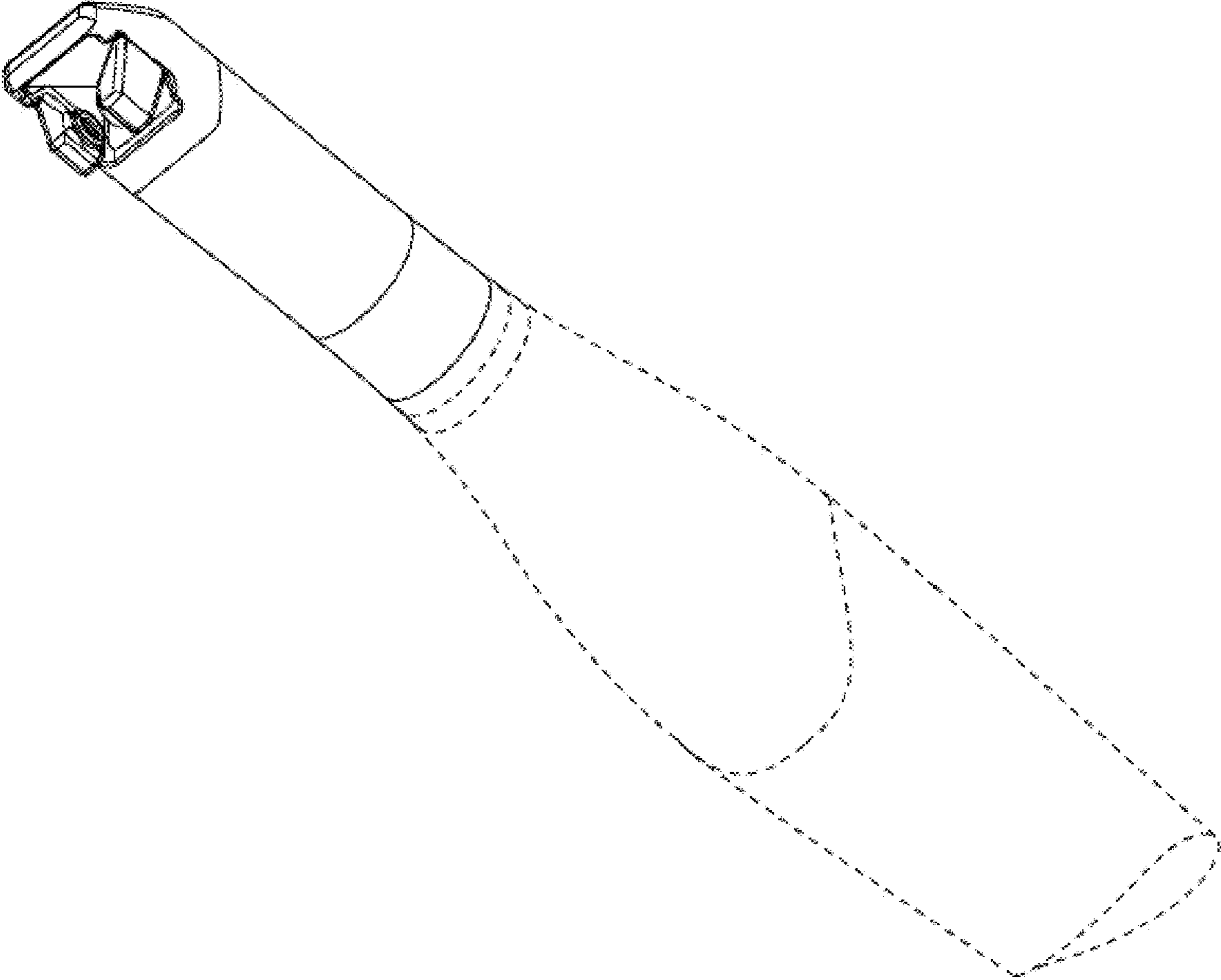


FIG. 2

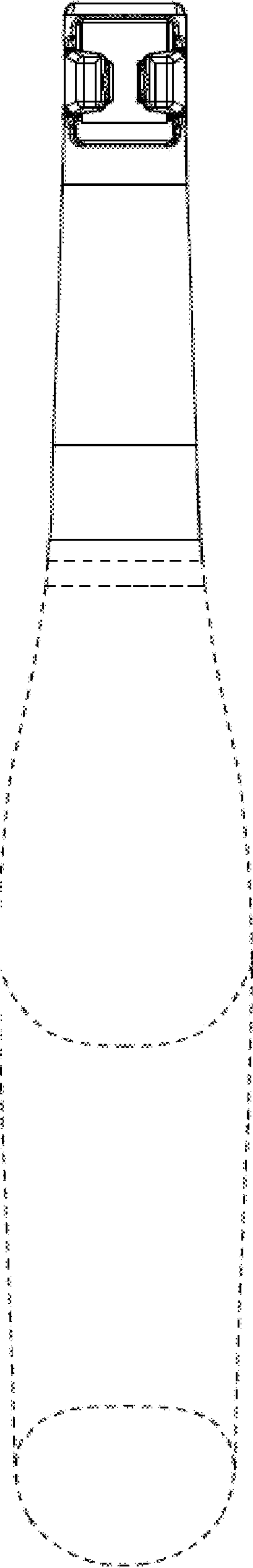


FIG. 3

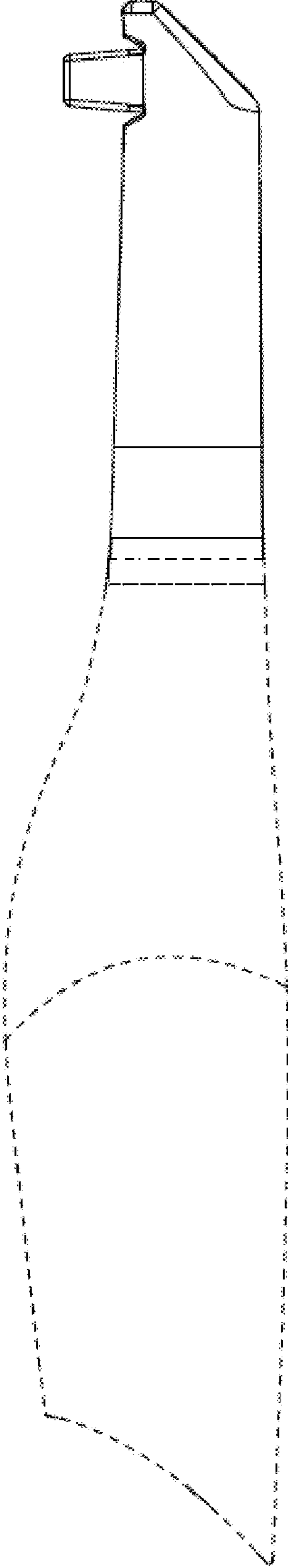


FIG. 4

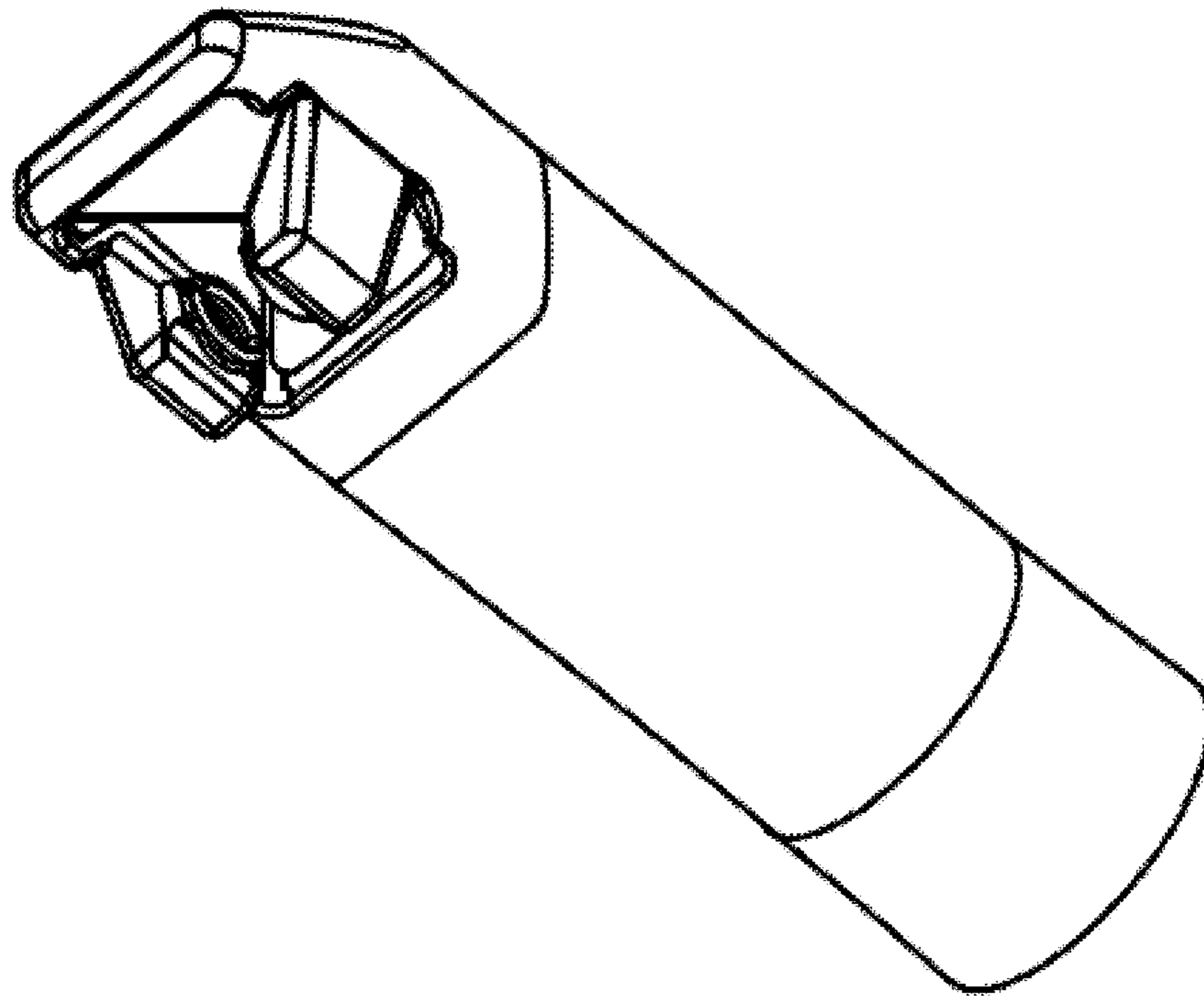


FIG. 5

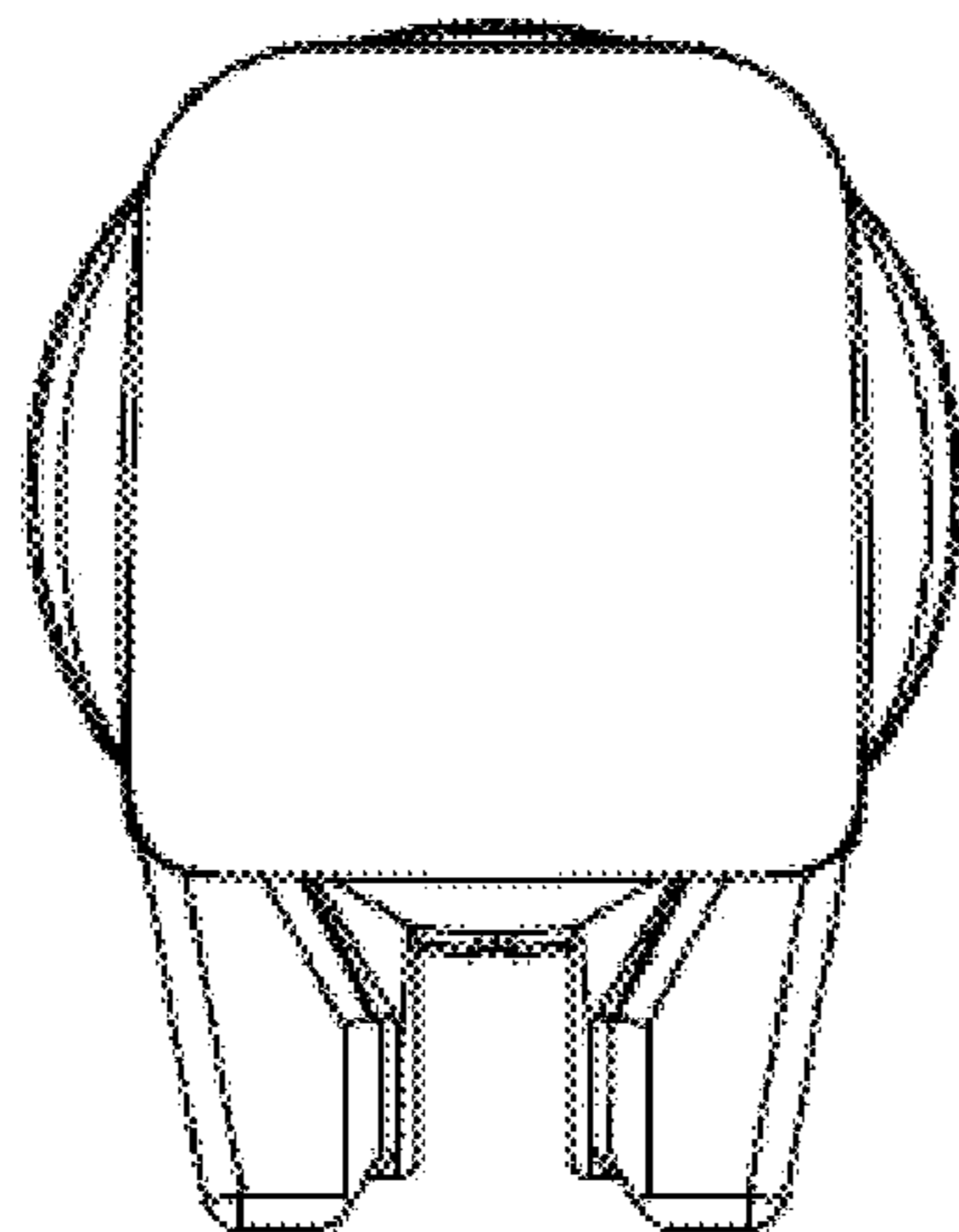


FIG. 6

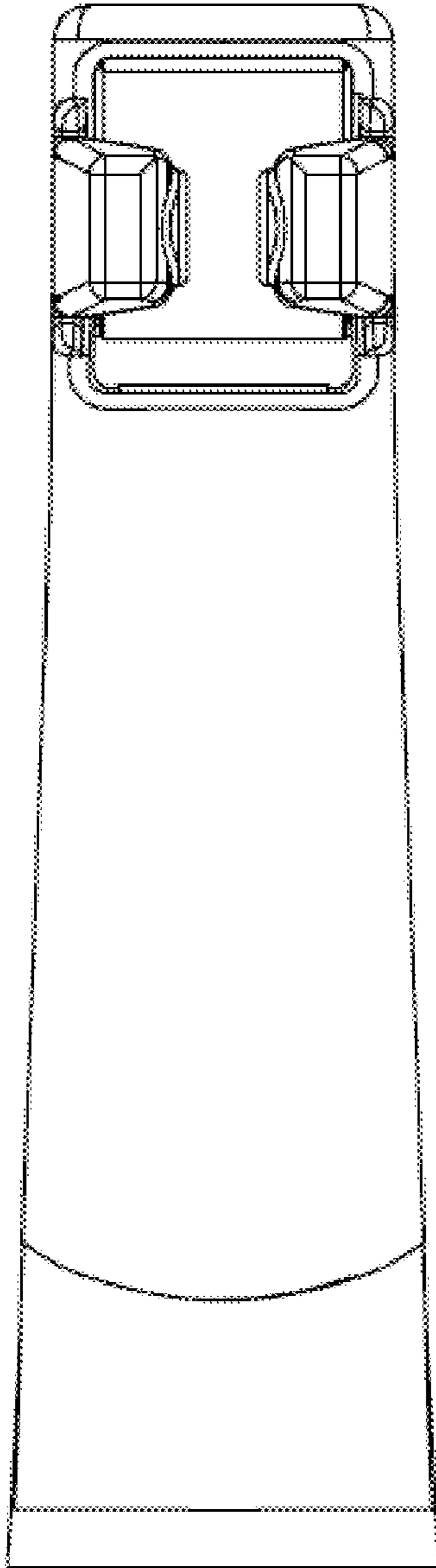


FIG. 7