



US00D918208S

(12) **United States Design Patent** (10) **Patent No.:** **US D918,208 S**
Guo (45) **Date of Patent:** **** May 4, 2021**

(54) **HANDWRITING PEN** D812,060 S * 3/2018 Lehman D14/411
D832,840 S * 11/2018 Shi D14/411
(71) Applicant: **Shenzhen Transborder Technology** D879,098 S * 3/2020 Wu D14/411
Limited, Shenzhen (CN) D888,058 S * 6/2020 Ding D14/411
D889,466 S * 7/2020 Weng D14/411
(72) Inventor: **Feng Guo, Guangdong (CN)** D892,800 S * 8/2020 Xu D14/411
D896,811 S * 9/2020 Nishizawa D14/411
(73) Assignee: **Shenzhen Transborder Technology** D896,812 S * 9/2020 Nishizawa D14/411
Limited, Shenzhen (CN) D909,378 S * 2/2021 Huang D14/411
D911,442 S * 2/2021 You D19/169

(**) Term: **15 Years**

(21) Appl. No.: **29/731,187**

(22) Filed: **Apr. 13, 2020**

(30) **Foreign Application Priority Data**

Dec. 27, 2019 (CN) 201930733427.6

(51) **LOC (13) Cl.** **14-02**

(52) **U.S. Cl.**
USPC **D14/411**

(58) **Field of Classification Search**

USPC D14/372, 496, 432, 371, 125, 126, 129,
D14/299, 411; D16/300-342; 351/158,
351/153, 144; 345/7-9, 905; 455/344;
348/115, 53, 121, 739

CPC G02B 27/017; G06F 3/016; G06F 3/033;
G06F 3/0317; G06F 3/03545; G06F
3/041; G06K 9/222

See application file for complete search history.

(56) **References Cited**

U.S. PATENT DOCUMENTS

D797,741 S * 9/2017 Cebe D14/411
D811,402 S * 2/2018 Nishizawa D14/411

* cited by examiner

Primary Examiner — Austin Murphy

(74) *Attorney, Agent, or Firm* — Wayne & Ken, LLC

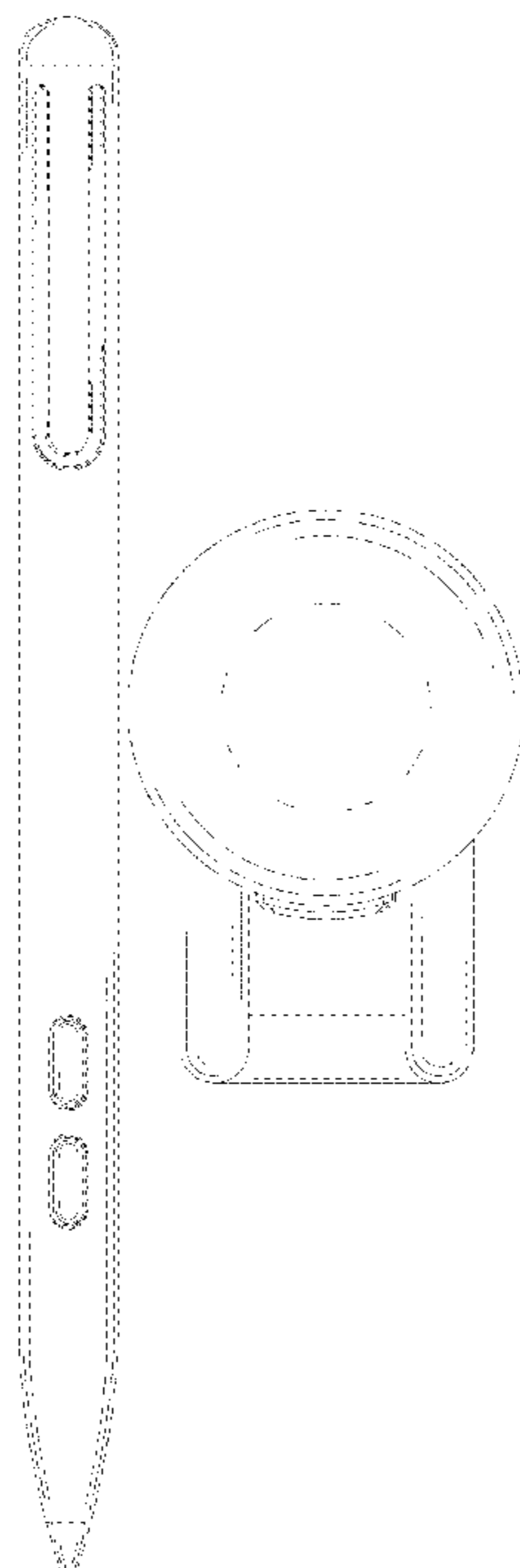
(57) **CLAIM**

The ornamental design for a handwriting pen, as shown and described.

DESCRIPTION

FIG. 1 is a front elevation view of a handwriting pen showing my new design;
FIG. 2 is a back elevation view thereof;
FIG. 3 is a left side view thereof;
FIG. 4 is a right side view thereof;
FIG. 5 is an enlarged top plan view thereof; and,
FIG. 6 is an enlarged bottom plan view thereof.
The broken lines in the drawings illustrate portions of the handwriting pen and form no part of the claimed design.

1 Claim, 6 Drawing Sheets



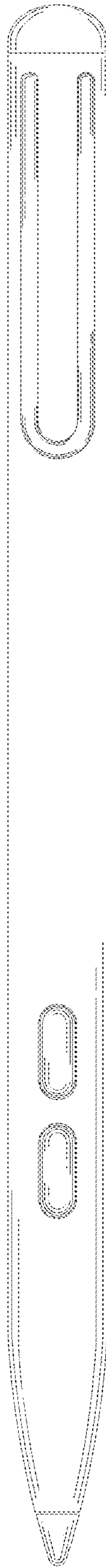


FIG. 1

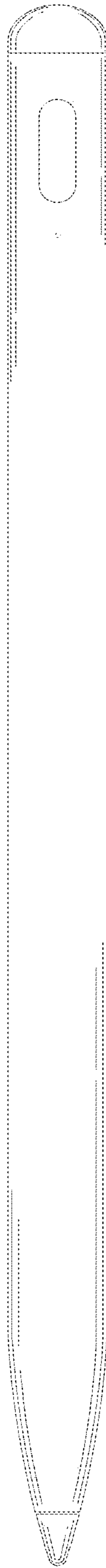


FIG. 2

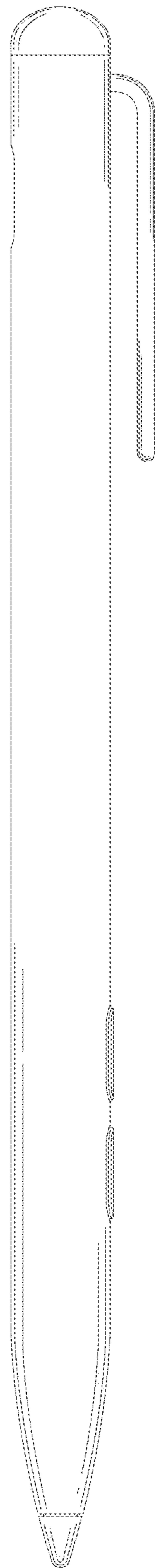


FIG. 3

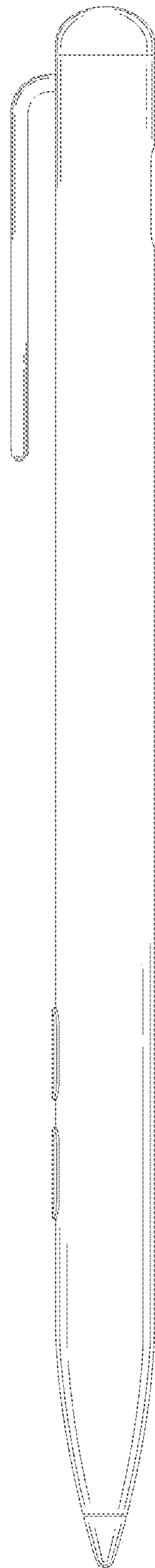


FIG. 4

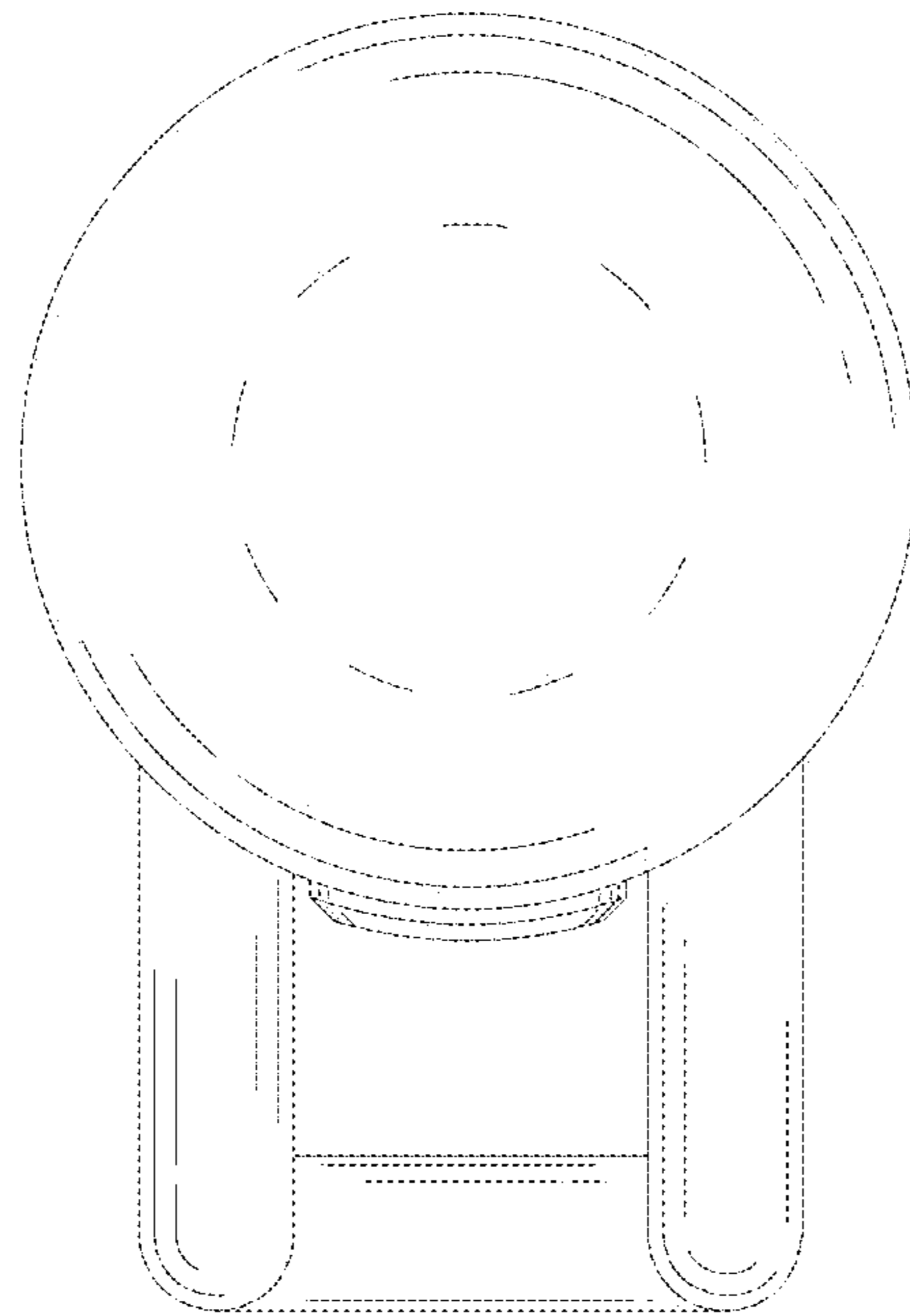


FIG. 5

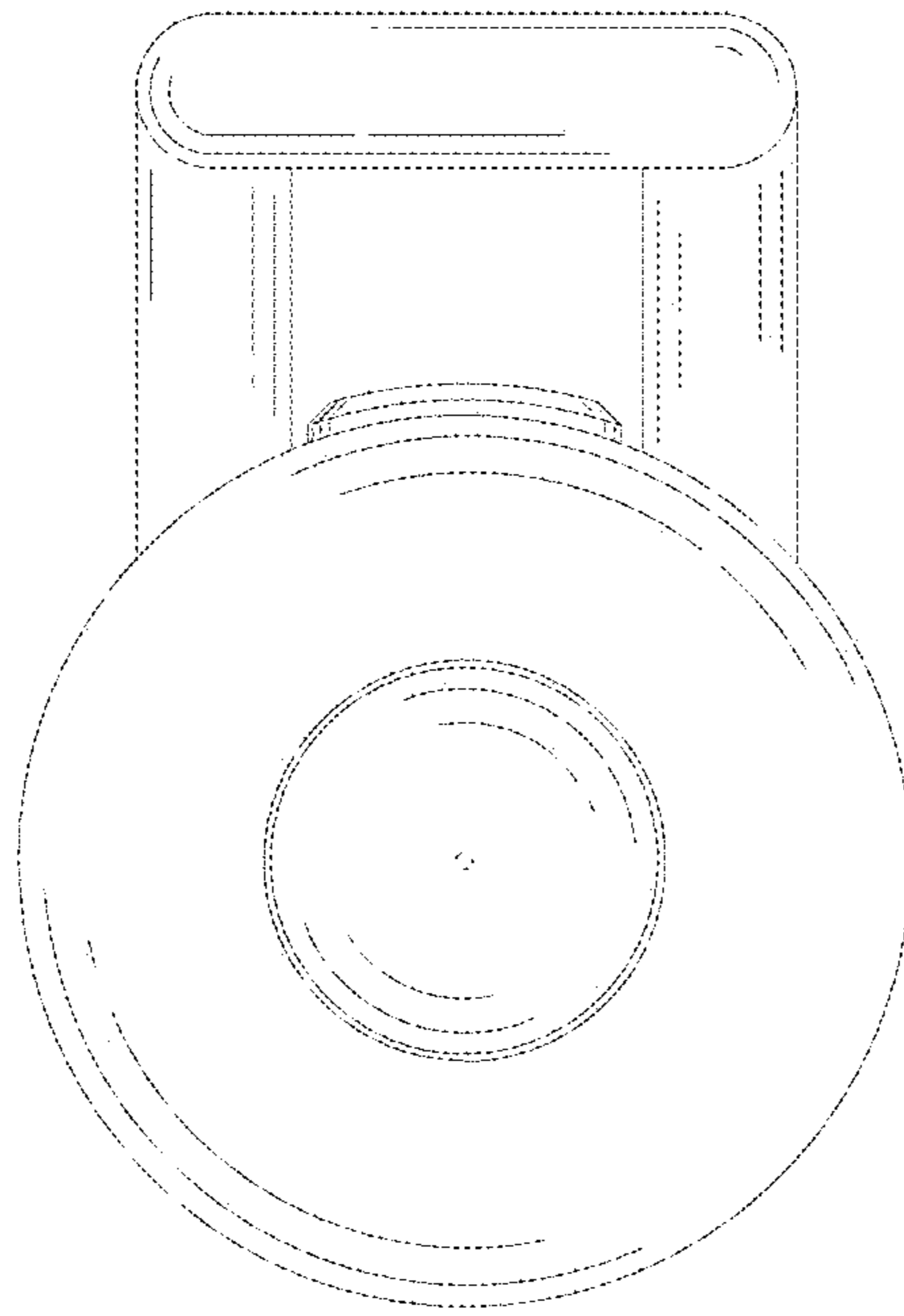


FIG. 6