



US00D918203S

(12) **United States Design Patent**  
**Chen**

(10) **Patent No.:** **US D918,203 S**

(45) **Date of Patent:** **\*\* May 4, 2021**

(54) **VIRTUAL REALITY HEADSET**  
(71) Applicant: **Lenovo (Beijing) Co., Ltd.**, Beijing (CN)  
(72) Inventor: **Boyong Chen**, Beijing (CN)  
(73) Assignee: **Lenovo (Beijing) Co., Ltd.**, Beijing (CN)  
(\*\*) Term: **15 Years**

D800,726 S *	10/2017	Su	.....	D14/372
D806,075 S *	12/2017	Chen	.....	D14/372
D806,710 S *	1/2018	Chen	.....	D14/372
D810,743 S *	2/2018	Yee	.....	D14/372
D819,637 S *	6/2018	Chen	.....	D14/372
D834,019 S *	11/2018	Dallmeyer	.....	D14/372
D843,373 S *	3/2019	Zhao	.....	D14/372
D853,383 S *	7/2019	Dallmeyer	.....	D14/372
D859,406 S *	9/2019	Wei	.....	D14/372
D860,992 S *	9/2019	Bristol	.....	D14/372
D875,093 S *	2/2020	Park	.....	D14/372
D882,568 S *	4/2020	Park	.....	D14/372
D883,280 S *	5/2020	Shao	.....	D14/372
D896,221 S *	9/2020	Lee	.....	D14/372
D896,223 S *	9/2020	Amijo	.....	D14/372

(21) Appl. No.: **35/507,787**

(22) Filed: **Jun. 28, 2019**

\* cited by examiner

(80) **Hague Agreement Data**

Int. Filing Date: **Jun. 28, 2019**  
Int. Reg. No.: **DM/203911**  
Int. Reg. Date: **Jun. 28, 2019**  
Int. Reg. Pub. Date: **Nov. 15, 2019**

*Primary Examiner* — Robert M. Spear

(74) *Attorney, Agent, or Firm* — Oppedahl Patent Law Firm LLC

(30) **Foreign Application Priority Data**

Dec. 28, 2018 (CN) ..... 201830767037.6

(51) **LOC (13) Cl.** ..... **14-02**

(52) **U.S. Cl.**  
USPC ..... **D14/372**

(58) **Field of Classification Search**  
USPC ..... D14/125, 126, 129, 299, 371, 372, 432,  
D14/496; D16/306, 309  
CPC ..... G02B 27/017; G02B 27/0158; G02B  
27/0161; G02B 27/0181; G02B 27/0185;  
G02B 27/0189

See application file for complete search history.

(57) **CLAIM**

The ornamental design for a virtual reality headset, as shown and described.

(56) **References Cited**

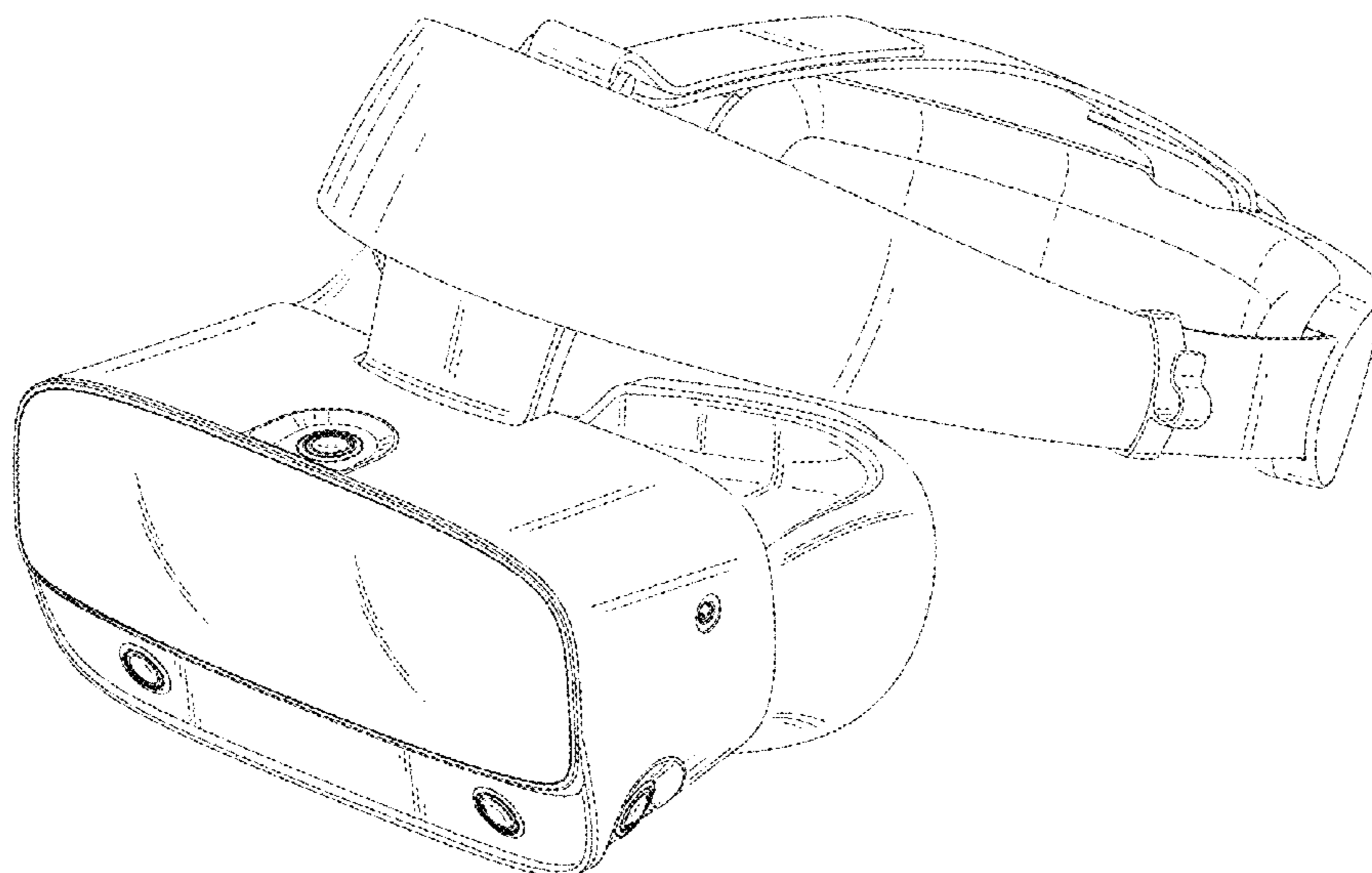
**U.S. PATENT DOCUMENTS**

D759,654 S \* 6/2016 Sullivan ..... D14/372  
D796,507 S \* 9/2017 Chen ..... D14/372

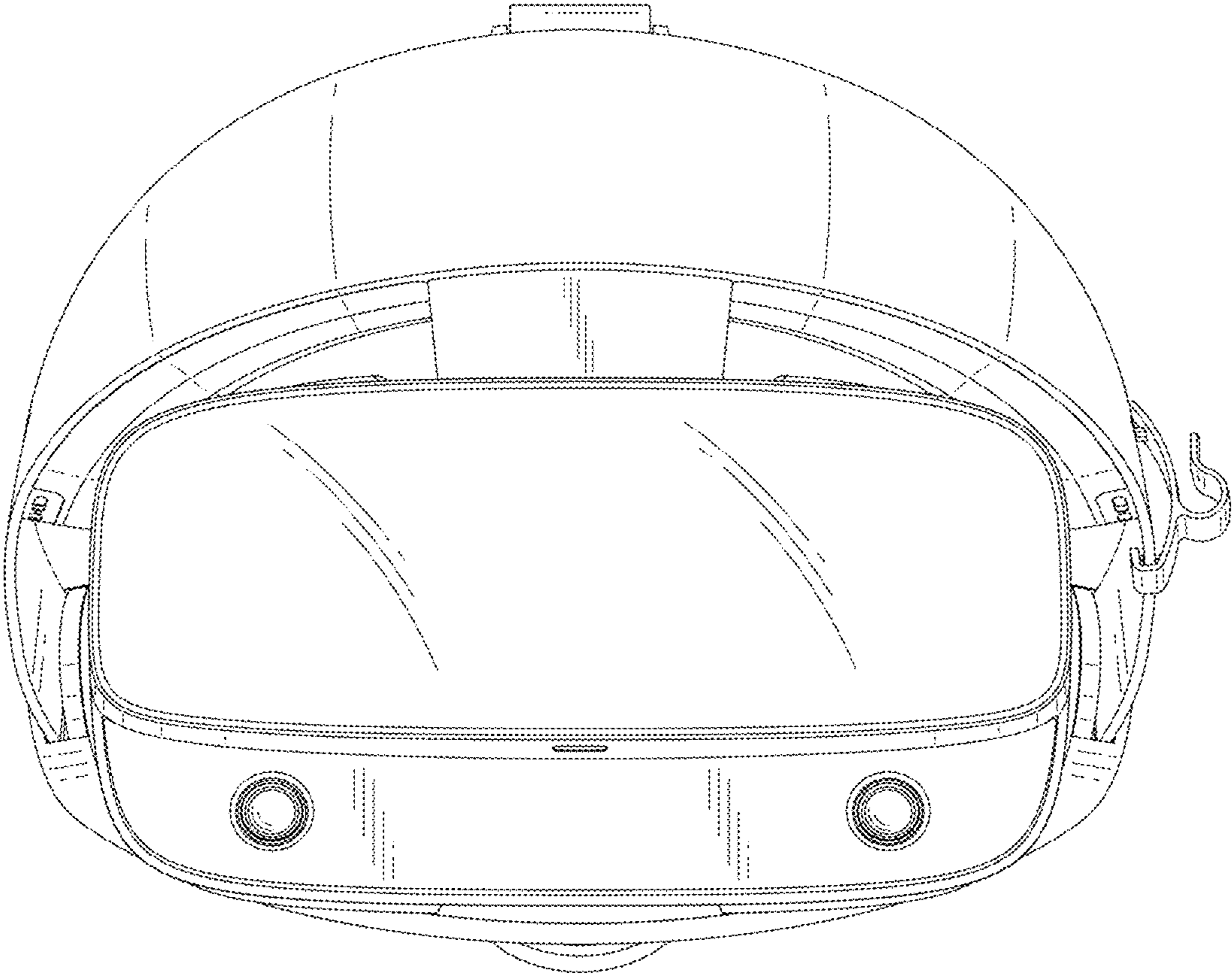
**DESCRIPTION**

- 1. Virtual reality headset
- 1.1 : Front
- 1.2 : Back
- 1.3 : Left
- 1.4 : Right
- 1.5 : Top
- 1.6 : Bottom
- 1.7 : Perspective
- 1.8 : Perspective

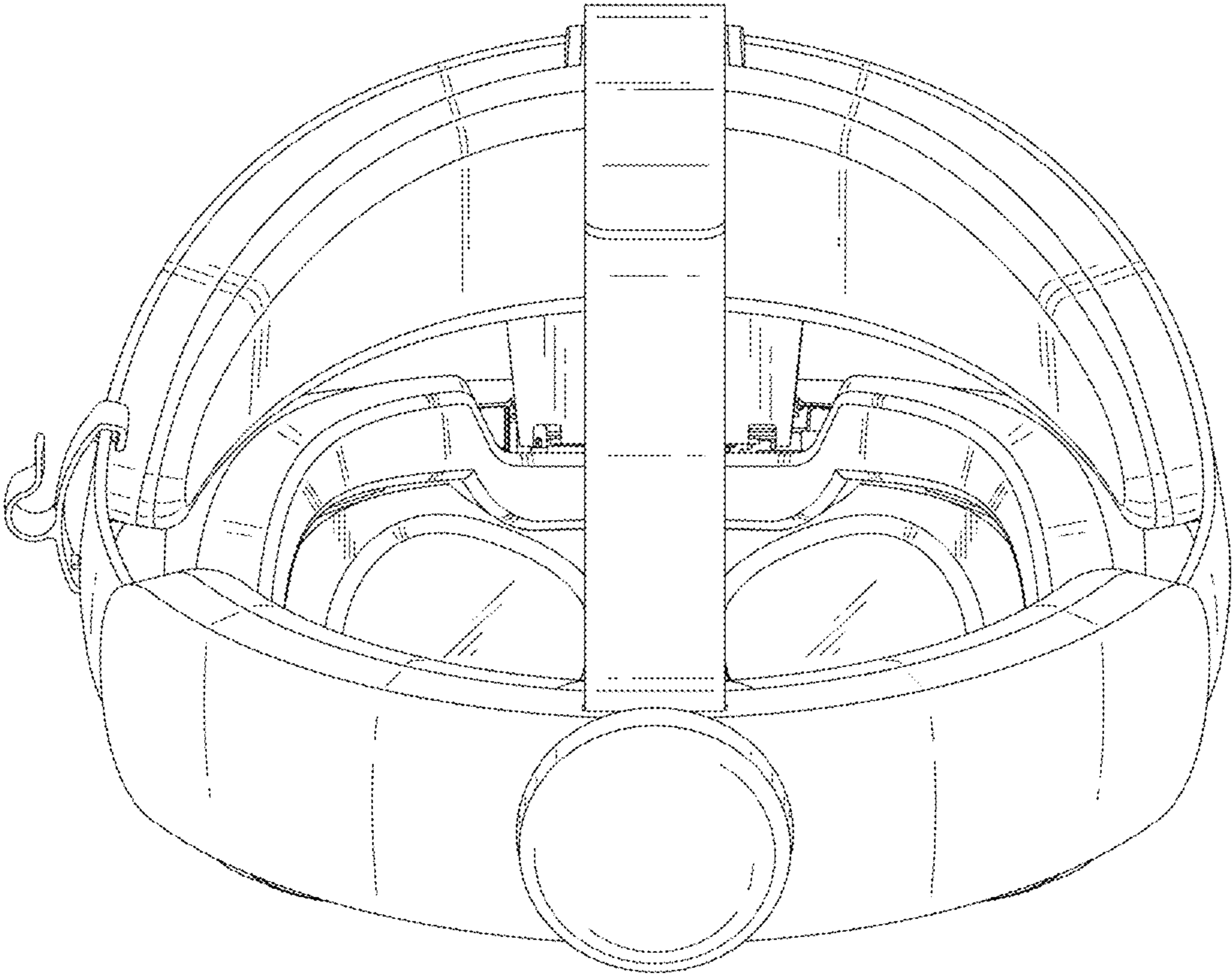
**1 Claim, 8 Drawing Sheets**



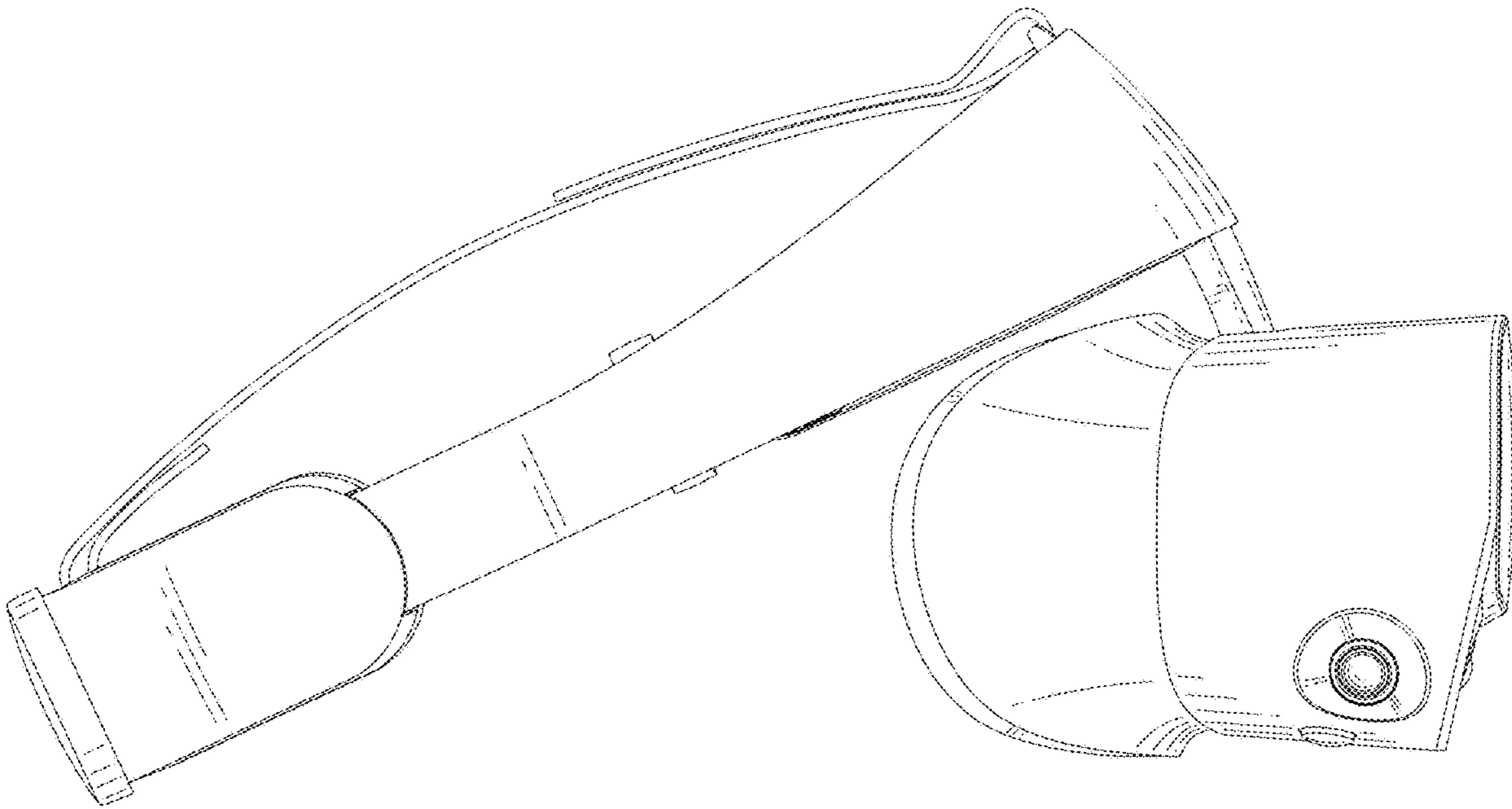
1.1



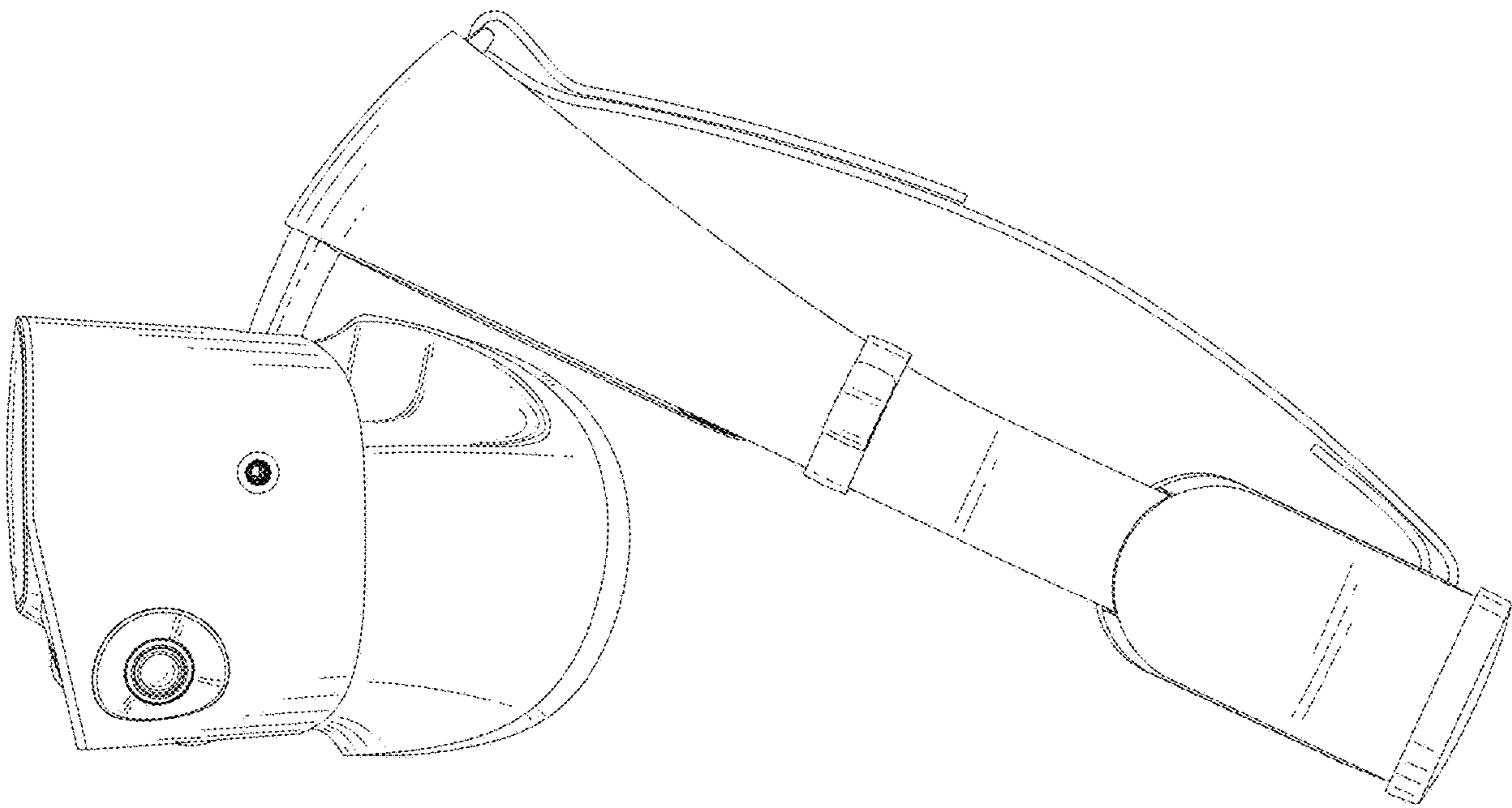
1.2



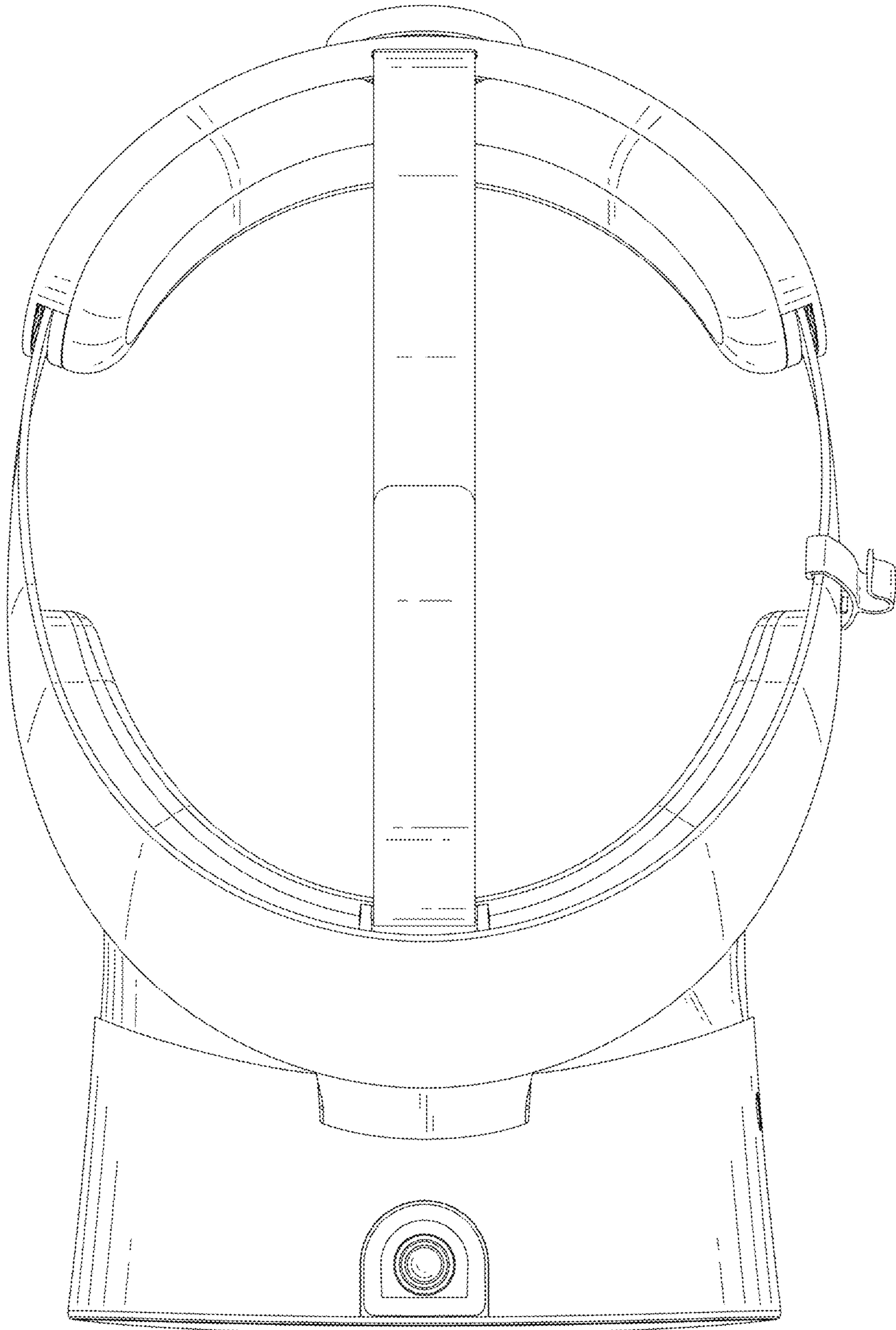
1.3



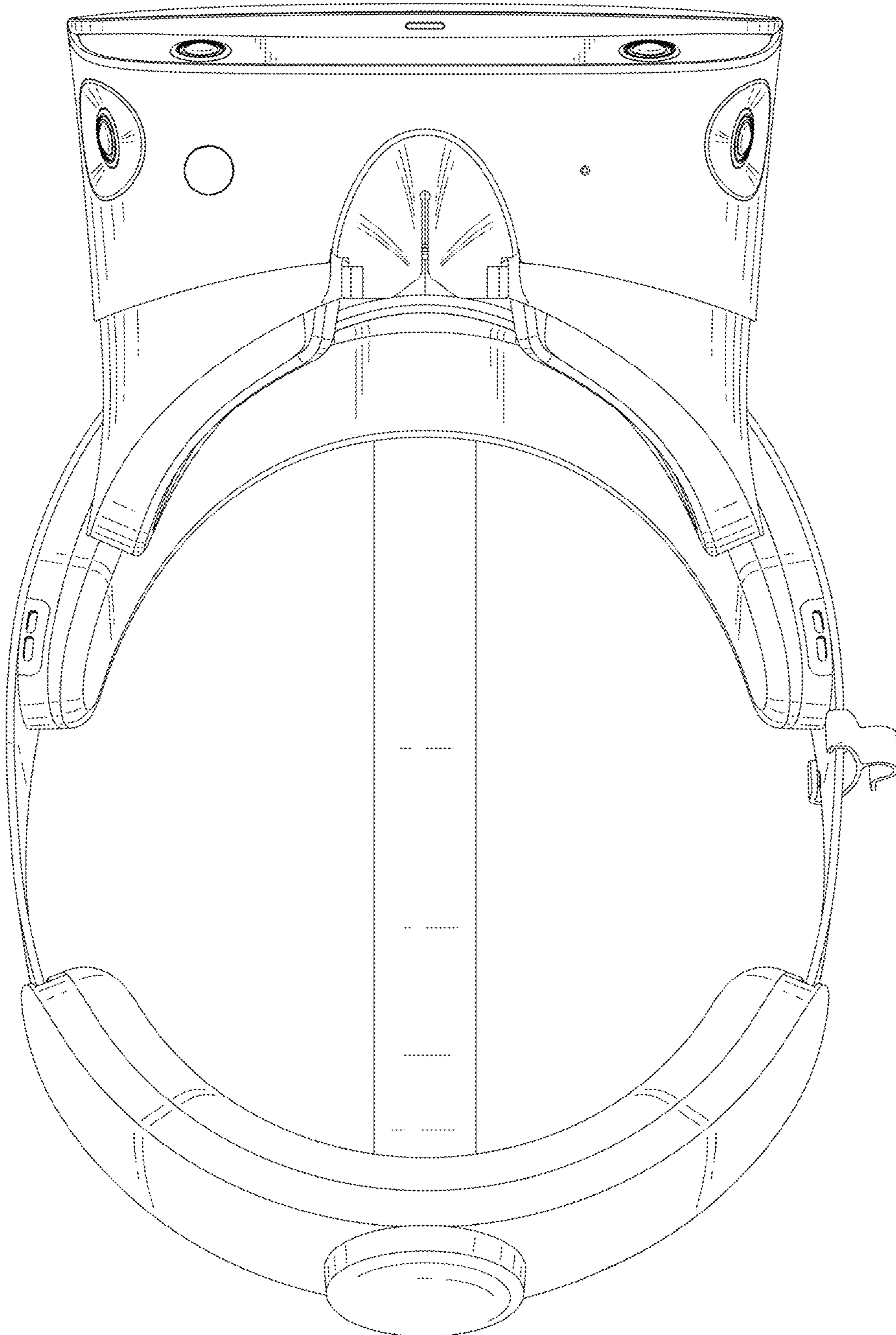
1.4



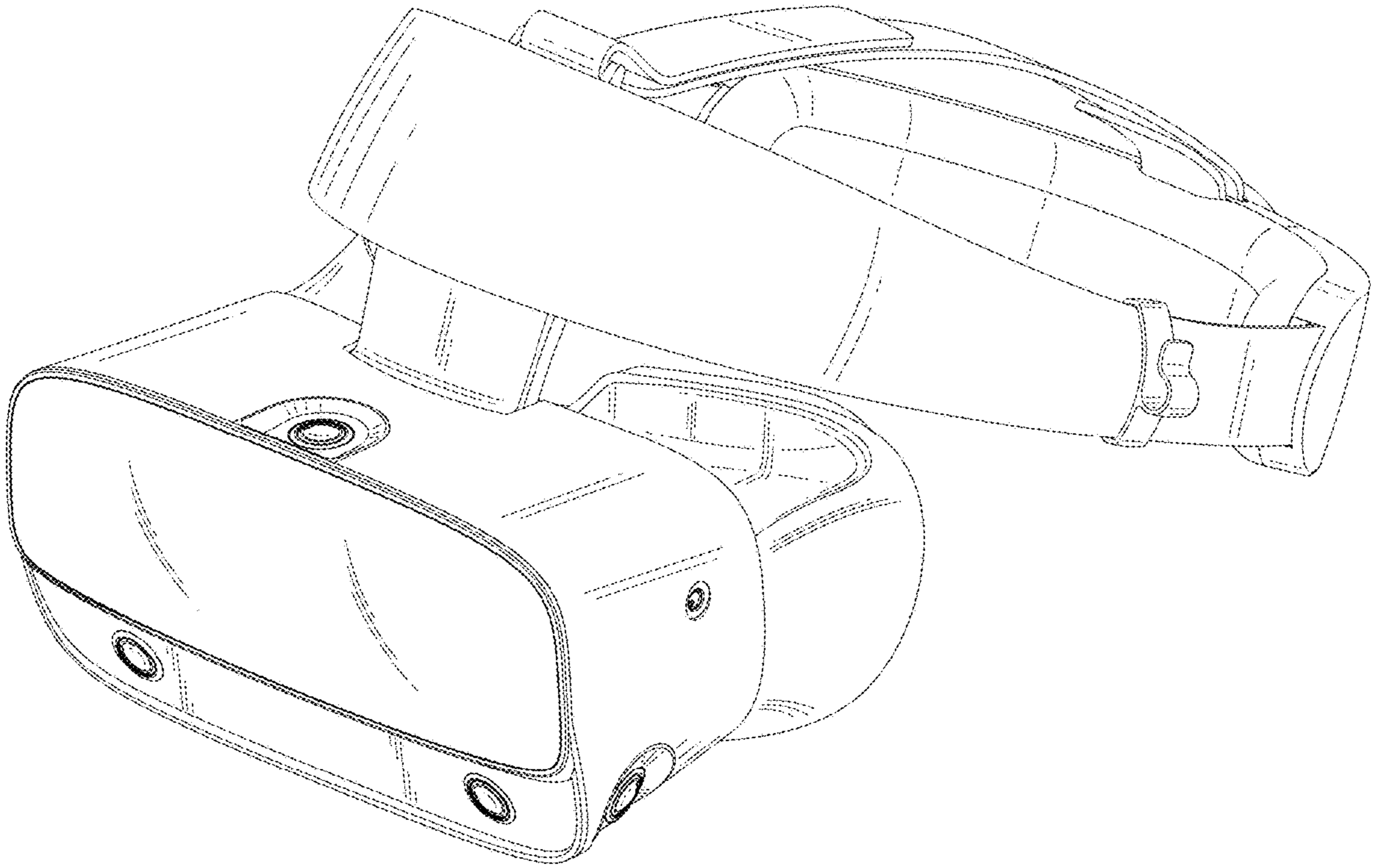
1.5



1.6



1.7





1.8

