



US00D918201S

(12) **United States Design Patent**
Huang et al.

(10) **Patent No.:** **US D918,201 S**

(45) **Date of Patent:** **** May 4, 2021**

(54) **AUGMENTED REALITY HEAD MOUNTED DISPLAY**

(71) Applicant: **GUANGDONG VIRTUAL REALITY TECHNOLOGY CO., LTD.**,
Guangzhou (CN)

(72) Inventors: **Jun Huang**, Guangzhou (CN); **Jingwen Dai**, Guangzhou (CN); **Jie He**, Guangzhou (CN)

(73) Assignee: **GUANGDONG VIRTUAL REALITY TECHNOLOGY CO., LTD.**,
Guangzhou (CN)

(**) Term: **15 Years**

(21) Appl. No.: **29/718,395**

(22) Filed: **Dec. 24, 2019**

(30) **Foreign Application Priority Data**

Jun. 24, 2019 (CN) 201930329395.3

(51) **LOC (13) Cl.** **14-02**

(52) **U.S. Cl.**
USPC **D14/372**

(58) **Field of Classification Search**
USPC D14/372, 496, 432, 371, 125, 126, 129, D14/299; D16/300-342; 351/158, 153, 351/144; 345/7-9, 905; 455/344; 348/115, 53, 121, 739
CPC G02B 27/017; G02B 27/0158; G02B 27/0161; G02B 27/0181; G02B 27/0185; G02B 27/0189
See application file for complete search history.

(56) **References Cited**

U.S. PATENT DOCUMENTS

D807,357 S * 1/2018 Wu D14/372
D859,403 S * 9/2019 Reed D14/372

D872,079 S * 1/2020 Huang D14/372
D874,459 S * 2/2020 Limaye D14/372
D880,476 S * 4/2020 Chen D14/372
D881,881 S * 4/2020 Reed D14/372
D890,170 S * 7/2020 Hu D14/372

* cited by examiner

Primary Examiner — Austin Murphy

(74) *Attorney, Agent, or Firm* — W&G Law Group LLP

(57) **CLAIM**

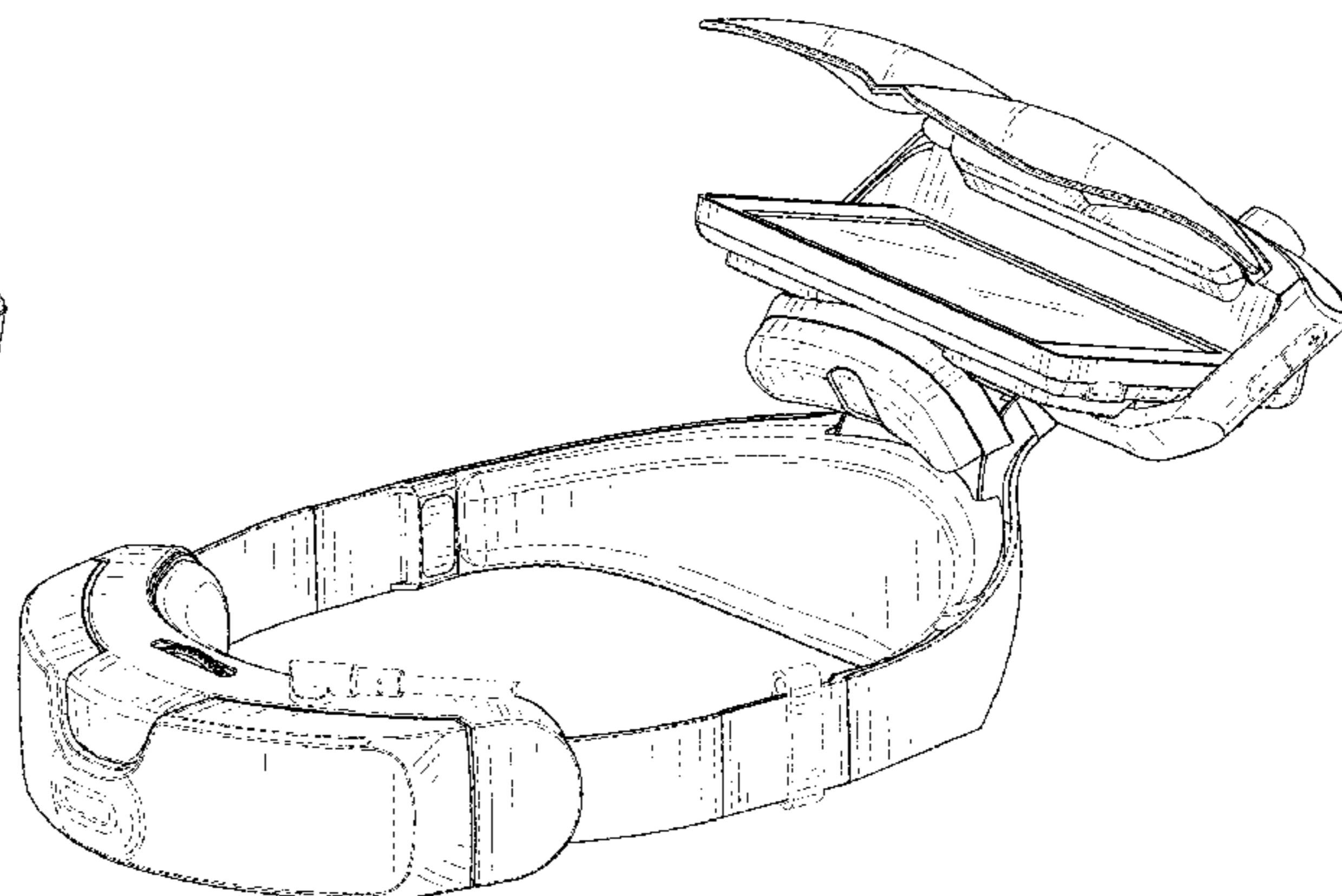
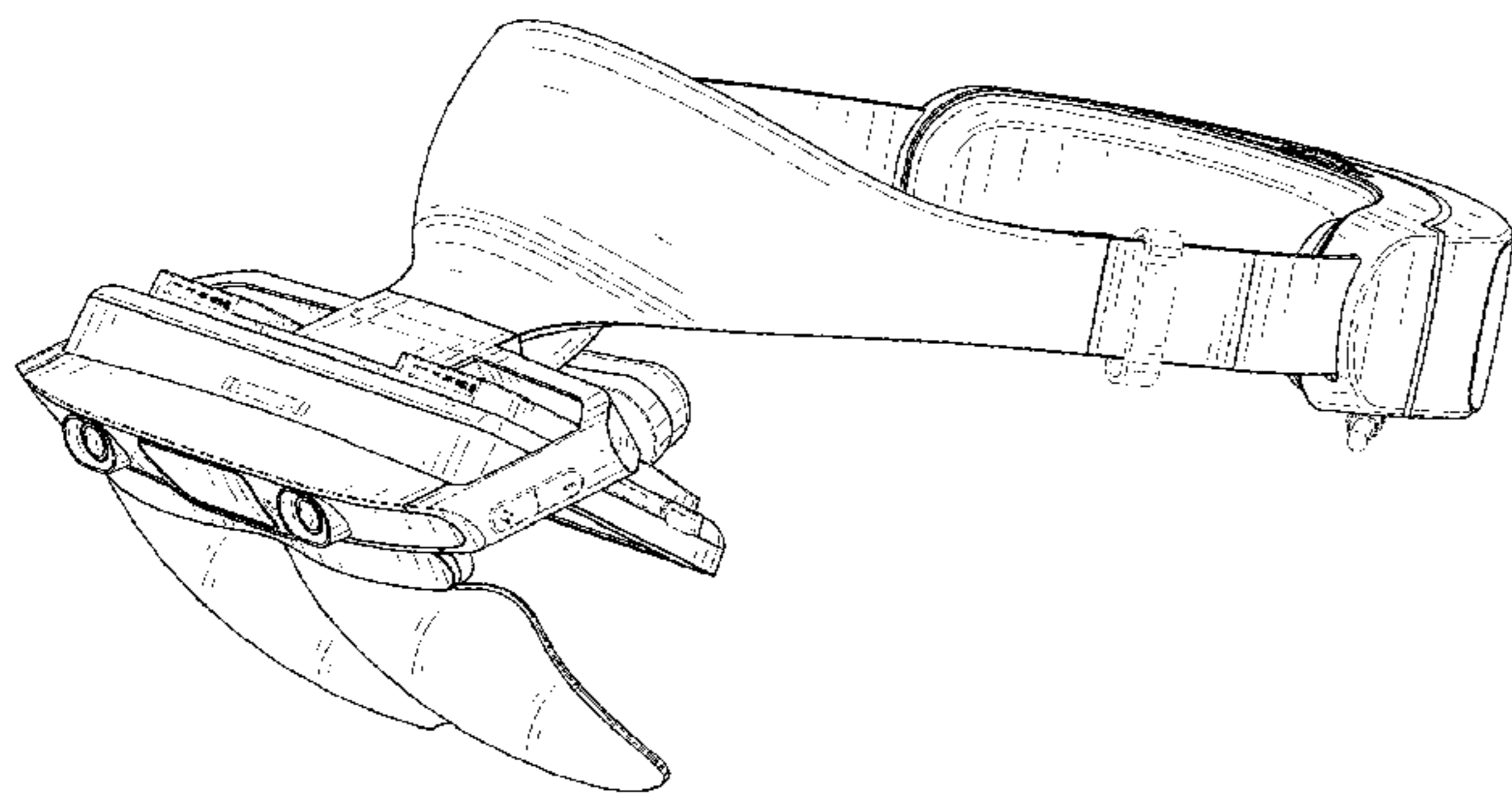
The ornamental design for an augmented reality head mounted display, as shown and described.

DESCRIPTION

FIG. 1 is a first perspective view of an augmented reality head mounted display showing our design;
FIG. 2 is a second perspective view of the augmented reality head mounted display showing our design;
FIG. 3 is a front view thereof;
FIG. 4 is a rear view thereof;
FIG. 5 is a left view thereof;
FIG. 6 is a right view thereof;
FIG. 7 is a top view thereof;
FIG. 8 is a bottom view thereof;
FIG. 9 is a first perspective view of the augmented reality head mounted display in use with an electric wire for reference; and,
FIG. 10 is a second perspective view of the augmented reality head mounted display in use with an electric wire for reference.

The broken lines in the drawings show portions of the augmented reality head mounted display which form no part of the claimed design.

1 Claim, 10 Drawing Sheets



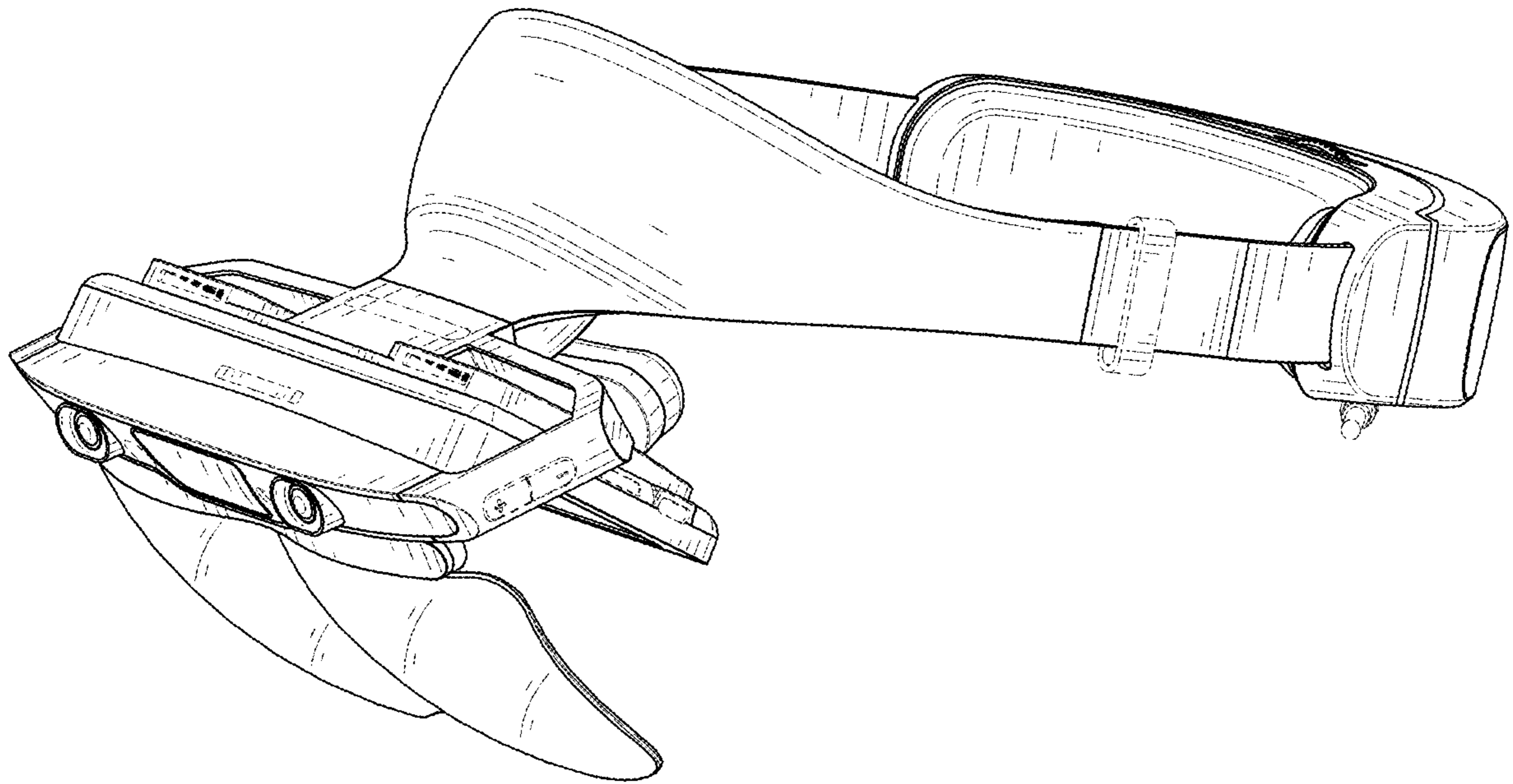


FIG. 1

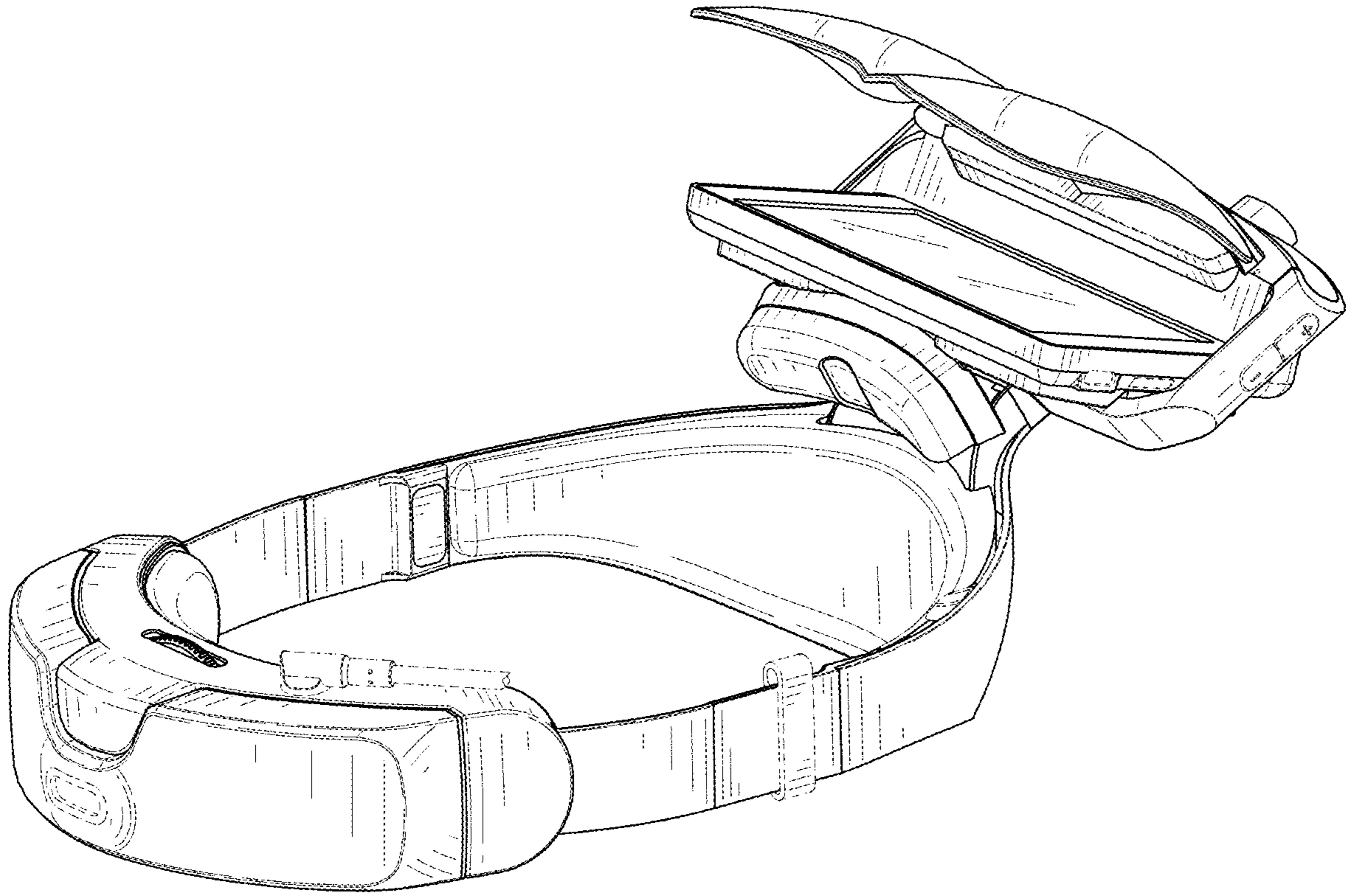


FIG. 2

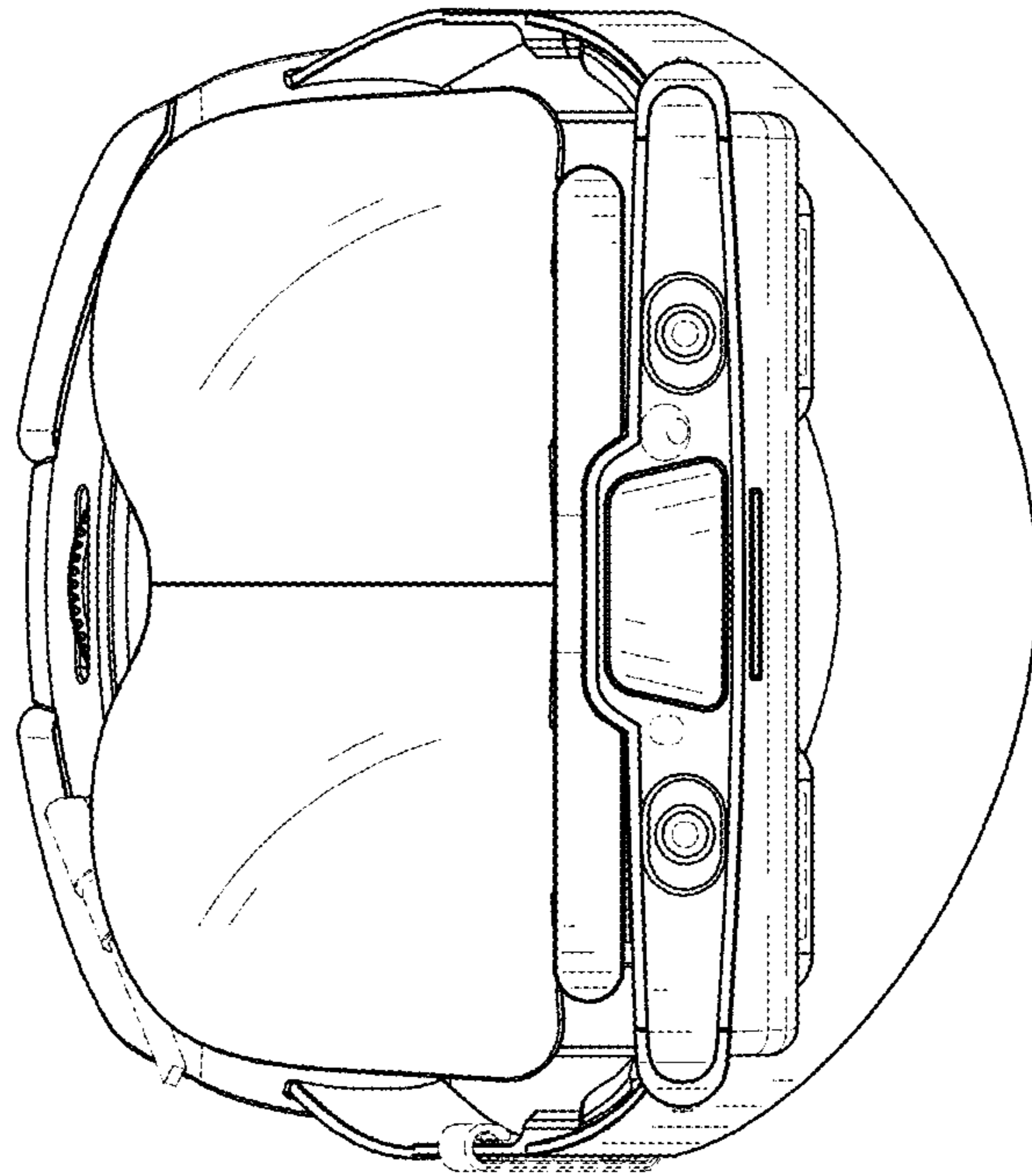


FIG. 3

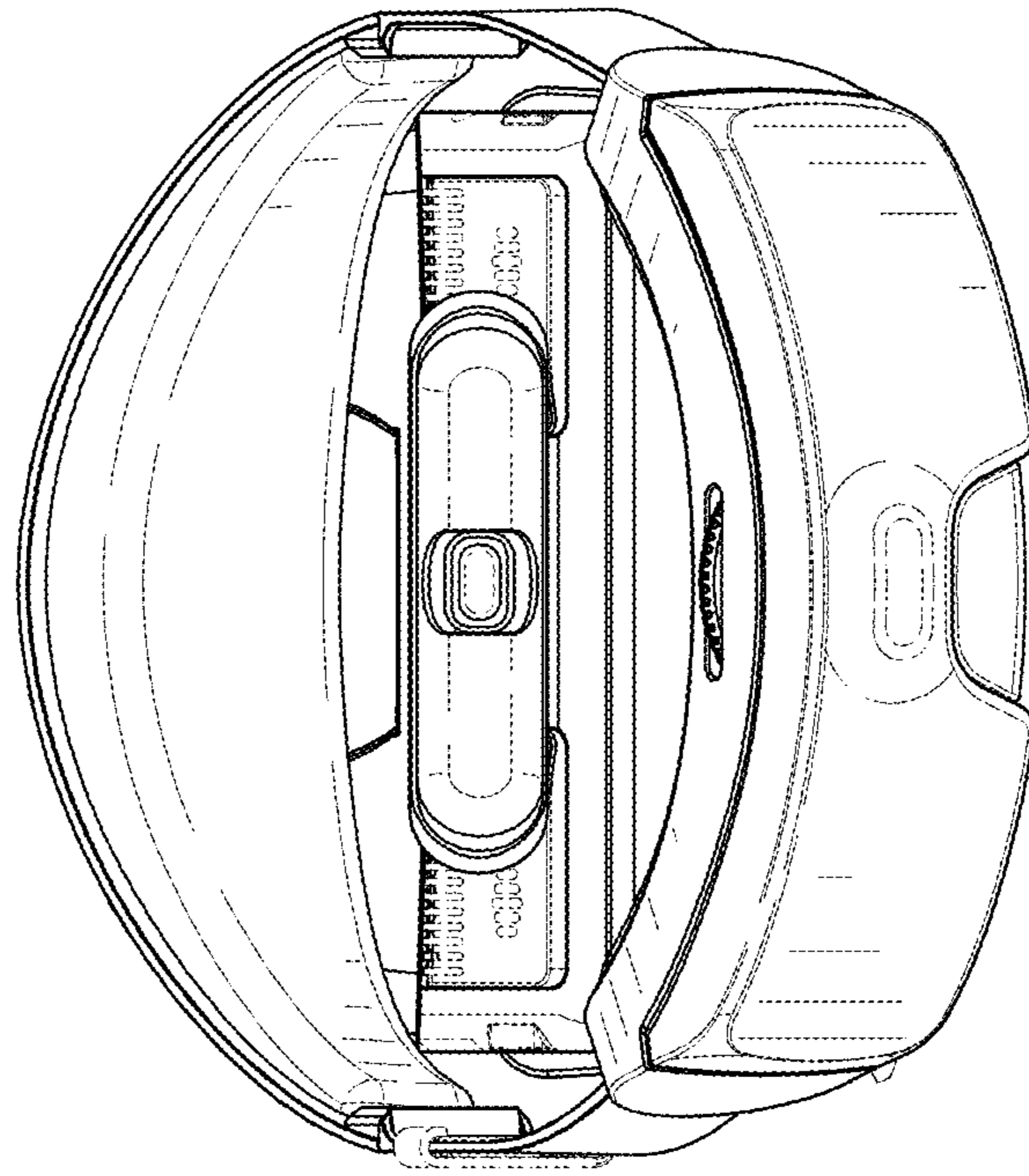


FIG. 4

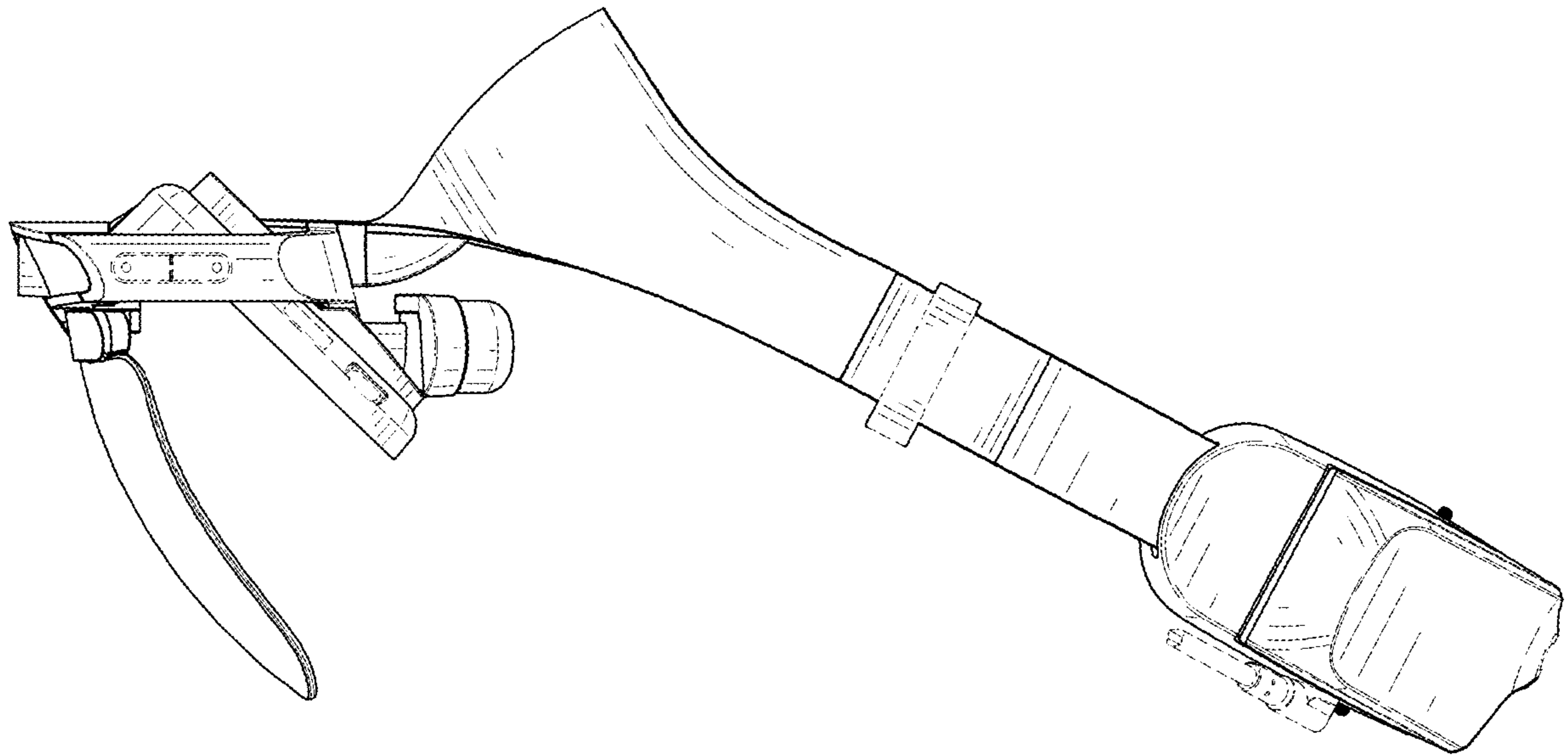


FIG. 5

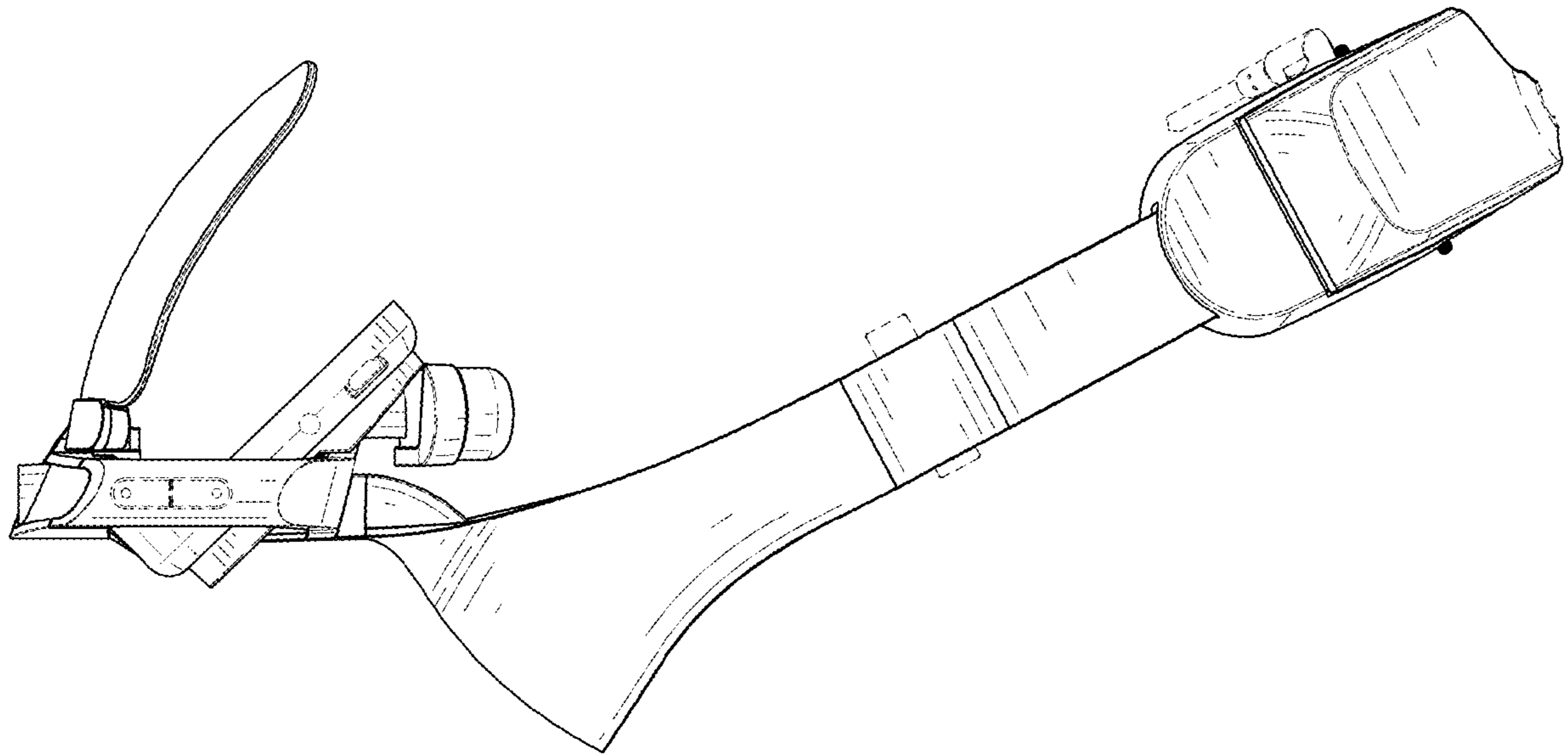


FIG. 6

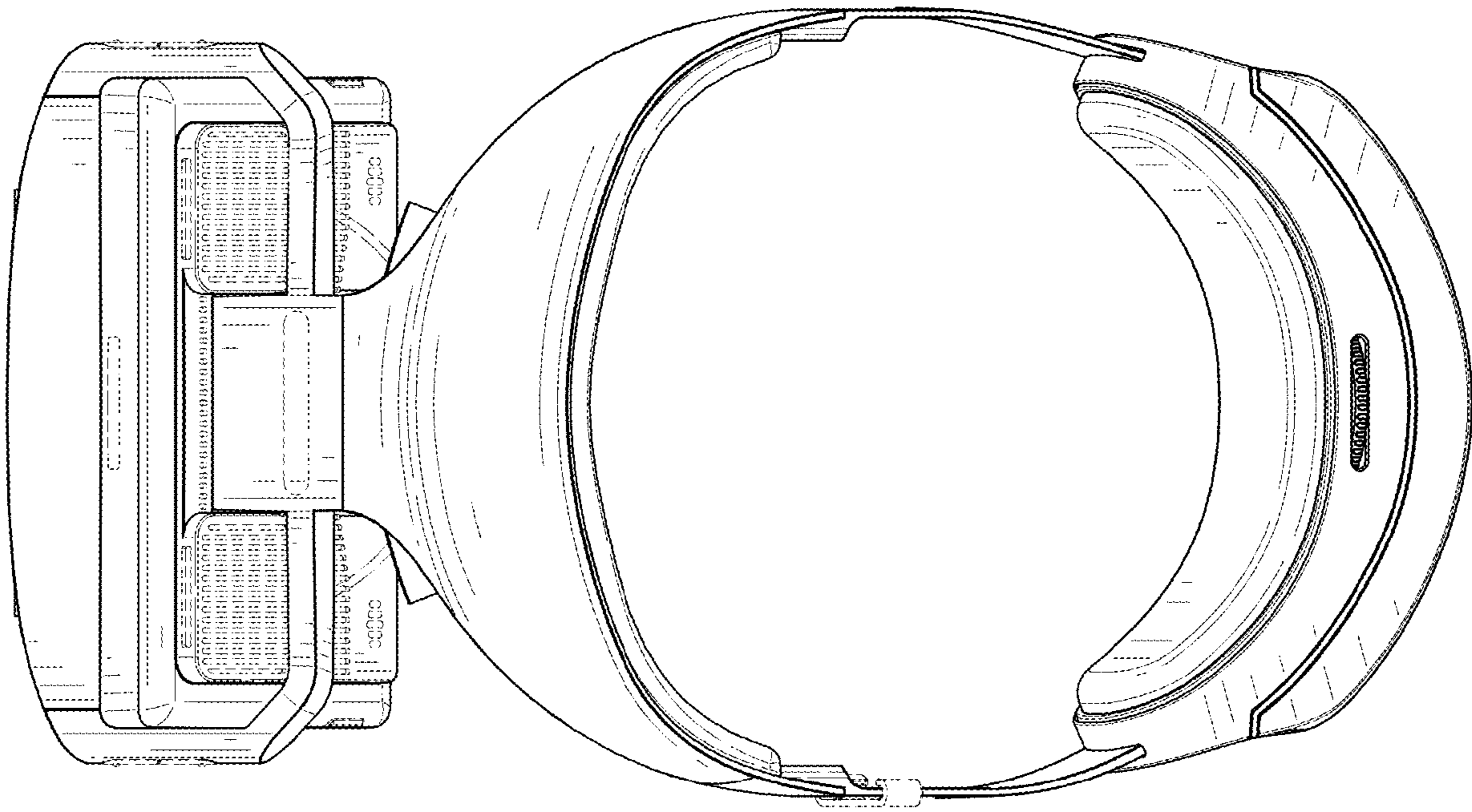


FIG. 7

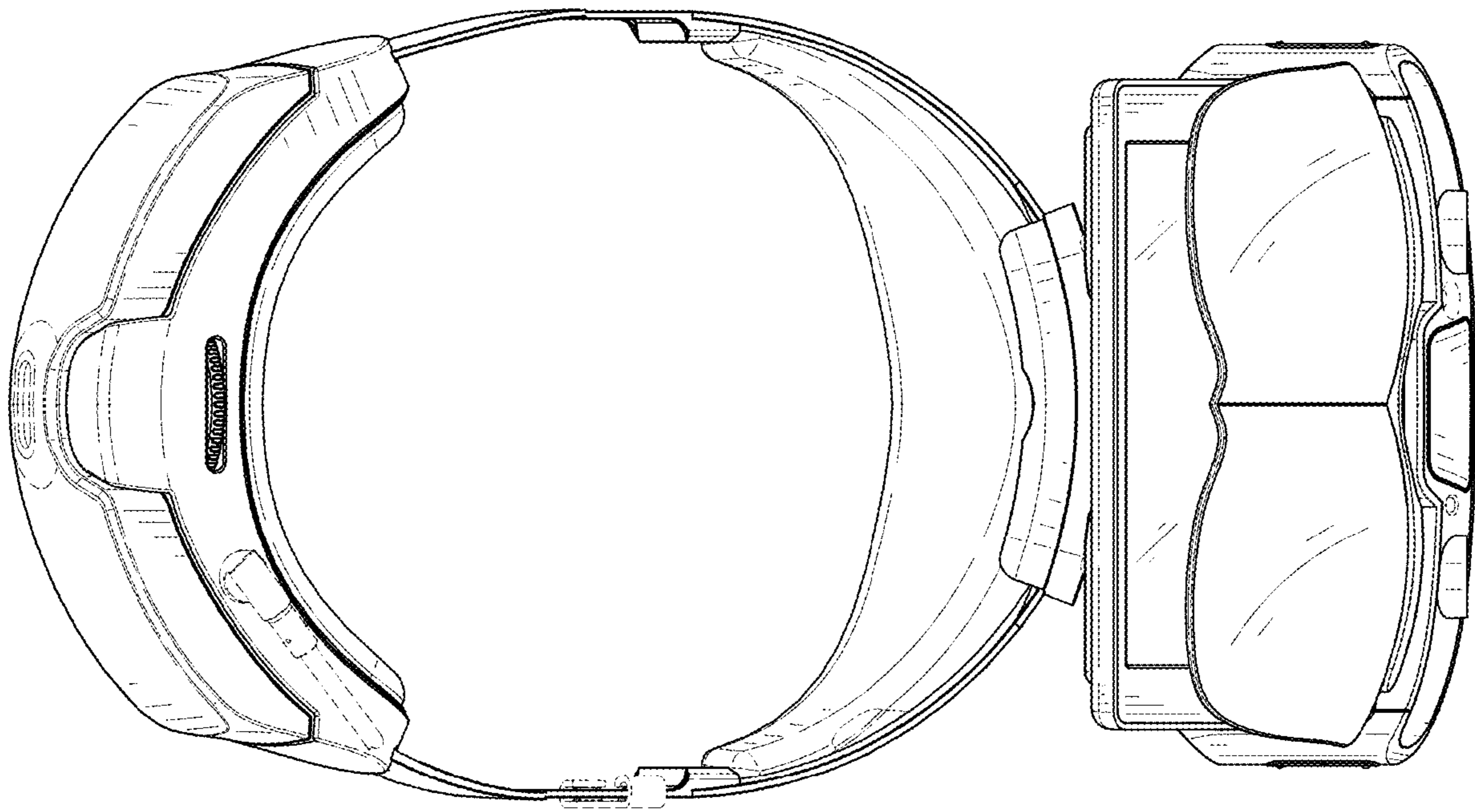


FIG. 8

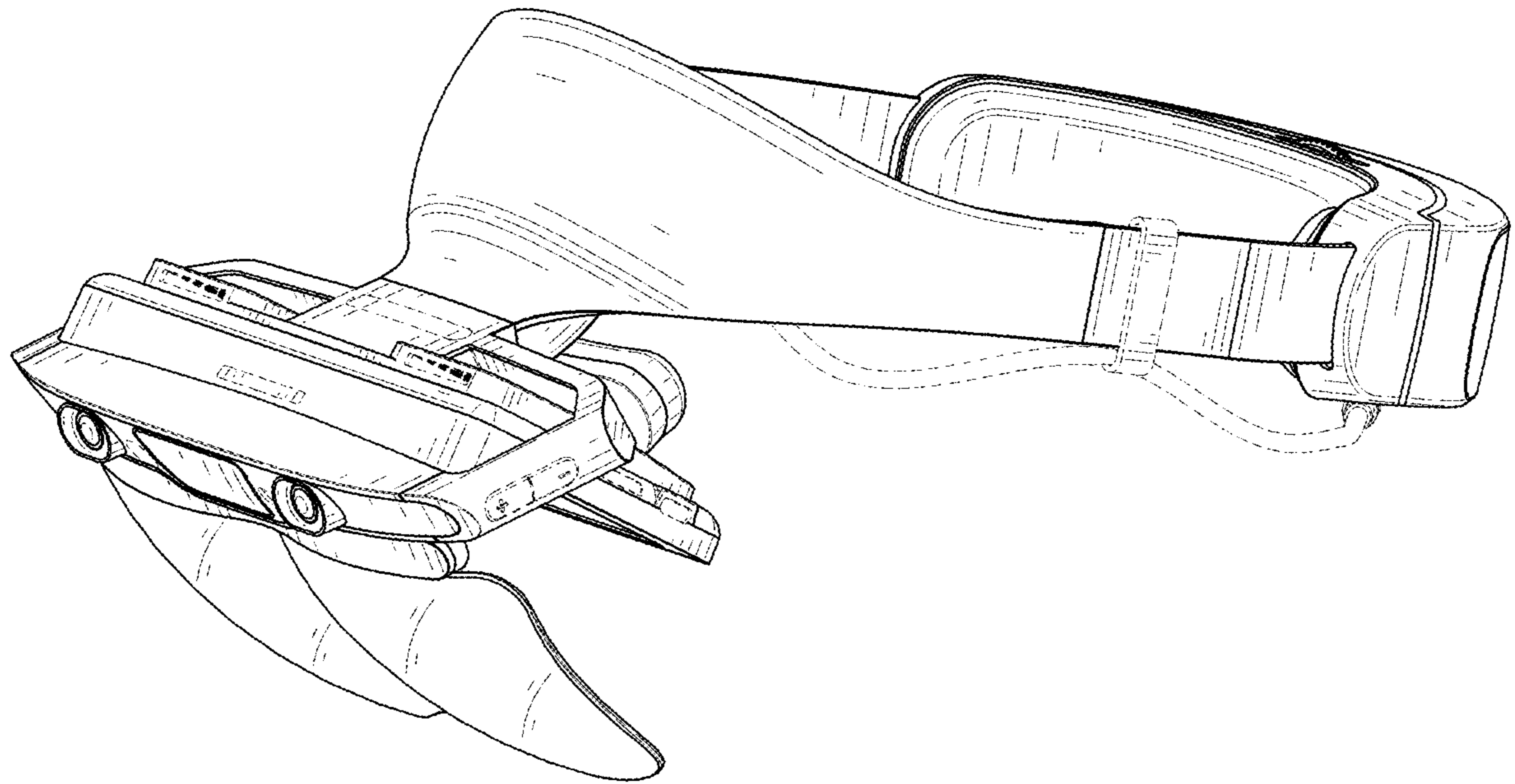


FIG. 9

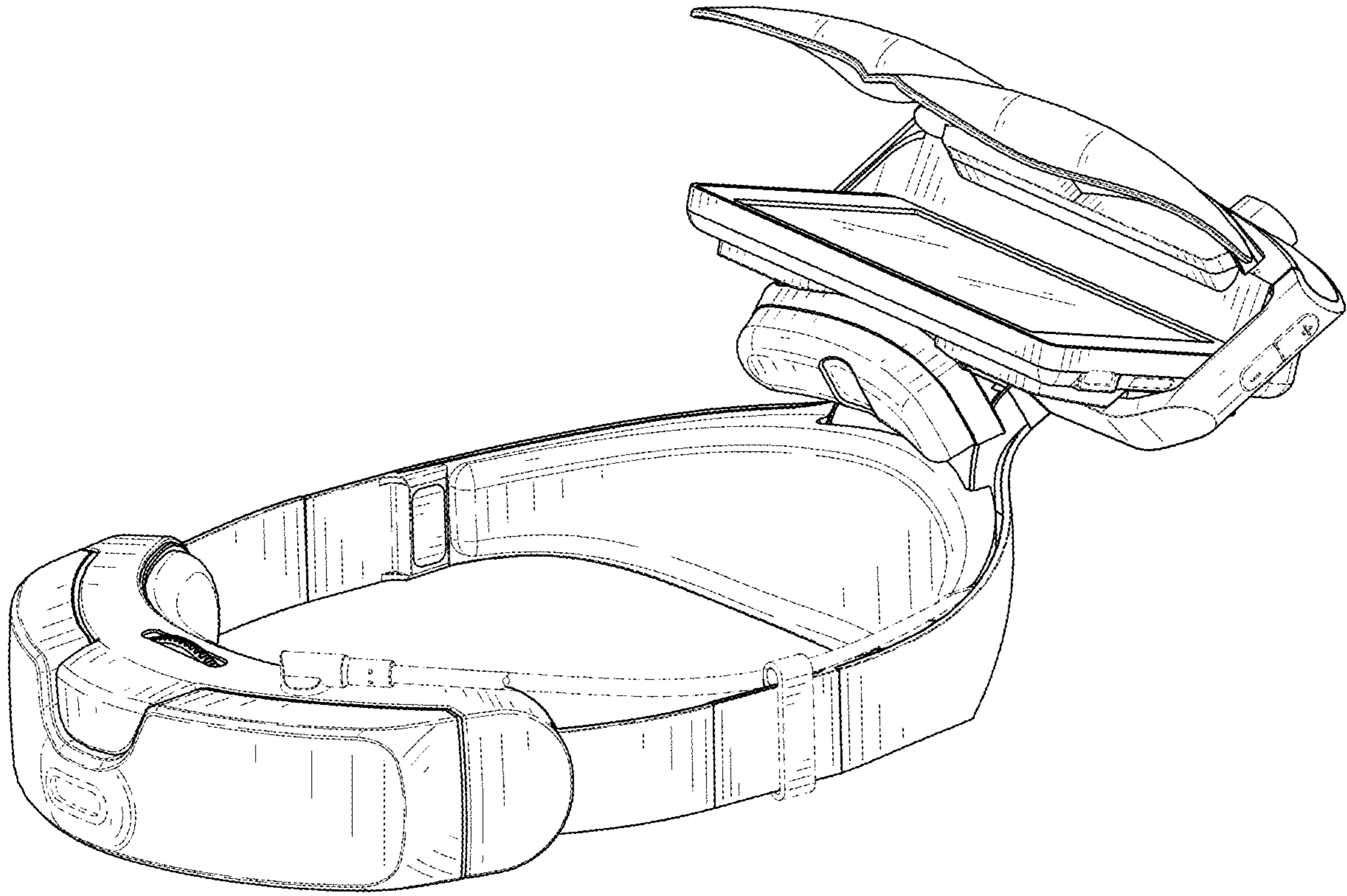


FIG. 10