



US00D918199S

(12) **United States Design Patent** (10) **Patent No.:** **US D918,199 S**
Browy (45) **Date of Patent:** **** May 4, 2021**

(54) **MIXED REALITY SYSTEM**
(71) Applicant: **Chosen Realities, LLC**, Fort Lauderdale, FL (US)
(72) Inventor: **Eric Browy**, Fort Lauderdale, FL (US)
(73) Assignee: **Magic Leap, Inc.**, Plantation, FL (US)
(**) Term: **15 Years**
(21) Appl. No.: **29/653,596**
(22) Filed: **Jun. 15, 2018**
(51) **LOC (13) Cl.** **14-02**
(52) **U.S. Cl.**
USPC **D14/372**; D14/348; D14/344
(58) **Field of Classification Search**
USPC D14/125, 126, 129, 192, 229, 344, 371, D14/372, 432, 496; D16/100, 300, 309, D16/311-313, 340; D29/103-107, 109, D29/110
CPC G02B 27/00; G02B 27/01; G02B 27/017; G06F 3/017; G06F 3/0346
See application file for complete search history.

D879,774 S * 3/2020 Pennington, Jr. D14/348
D881,878 S * 4/2020 Lau D14/372
D883,371 S * 5/2020 Rubins D16/314
D888,059 S * 6/2020 Ranade D14/432
2017/0108892 A1* 4/2017 Lenzi G06F 1/163
2020/0210127 A1* 7/2020 Browy G06F 3/011

OTHER PUBLICATIONS

Dmitryshulgin.com; "Ground Forces Augmented Reality"; [online] 'http://www.dmitryshulgin.com/tag/chosen-realities-llc/'; dated Oct. 30, 2017; accessed Sep. 14, 2020; 3pgs. (Year: 2017).*

* cited by examiner

Primary Examiner — Keli L Hill
(74) *Attorney, Agent, or Firm* — Vista IP Law Group LLP

(57) **CLAIM**

The ornamental design for a mixed reality system, as shown and described.

DESCRIPTION

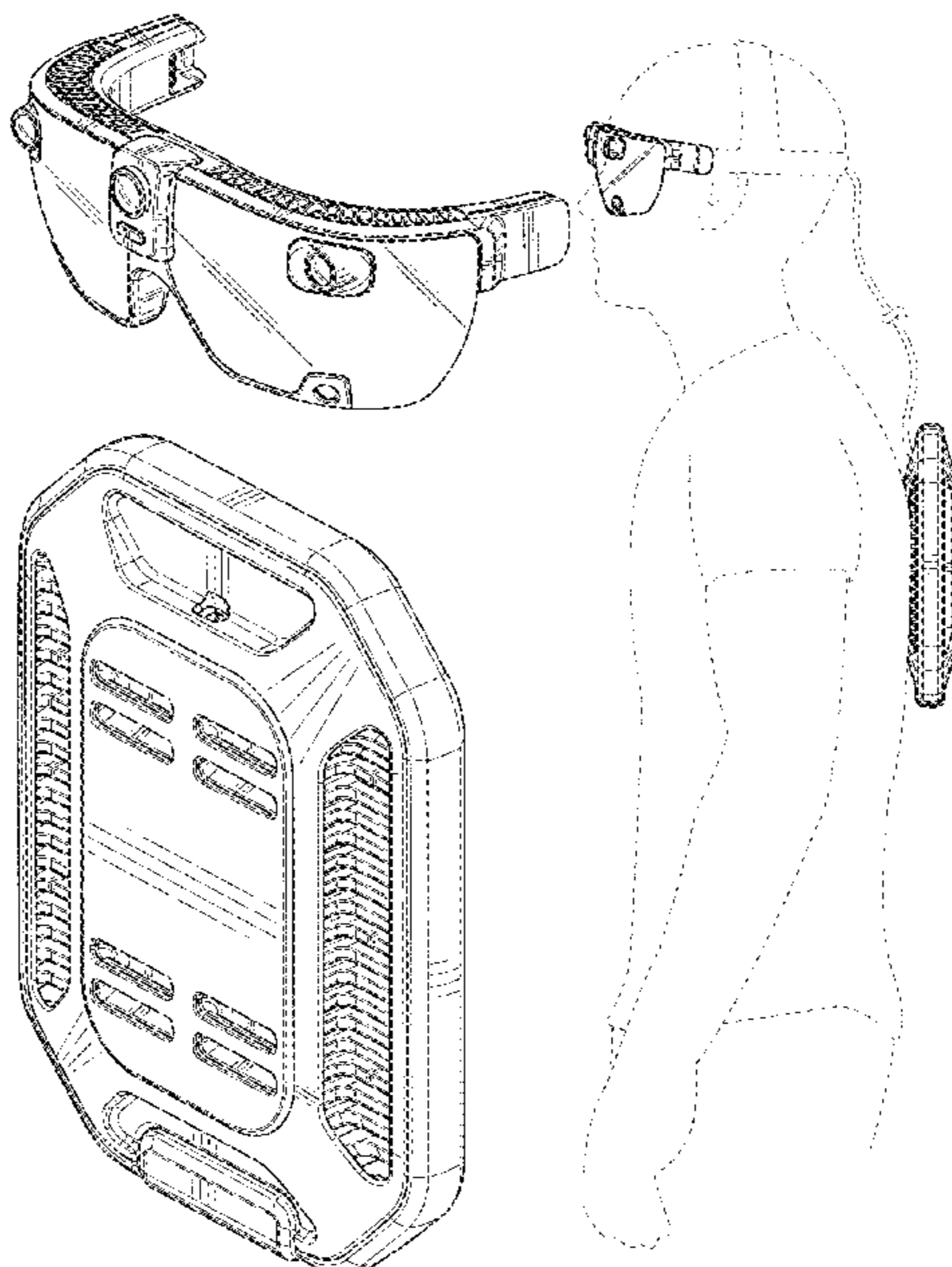
FIG. 1 is a perspective view of the mixed reality system, as seen from the front, left side;
FIG. 2 is a front view thereof;
FIG. 3 is a rear view thereof;
FIG. 4 is a left-side view thereof;
FIG. 5 is a right-side view thereof;
FIG. 6 is a top view thereof;
FIG. 7 is a bottom view thereof;
FIG. 8 is a perspective view thereof showing the location of a head strap, pack straps, and connecting cabling; and,
FIG. 9 is a left-side view thereof showing the mixed reality system worn by a user.
The broken lines in FIGS. 3, 8 and 9 depict portions of the article or are included for the purpose of illustrating an in-use configuration of the article and form no part of the claimed design.

1 Claim, 9 Drawing Sheets

(56) **References Cited**

U.S. PATENT DOCUMENTS

D798,862 S * 10/2017 Wang D14/372
D832,837 S * 11/2018 Pennington, Jr. D14/348
D833,500 S * 11/2018 Su D16/130
D834,017 S * 11/2018 Beynel D14/372
D841,078 S * 2/2019 Liao D16/309
D842,297 S * 3/2019 Pennington, Jr. D14/314
D852,423 S * 6/2019 Pennington, Jr. D29/100
D856,329 S * 8/2019 Wang D14/372
D861,683 S * 10/2019 Chou D14/372
D861,693 S * 10/2019 Ranade D14/432
D872,079 S * 1/2020 Huang D14/372
D875,730 S * 2/2020 Lau D14/372



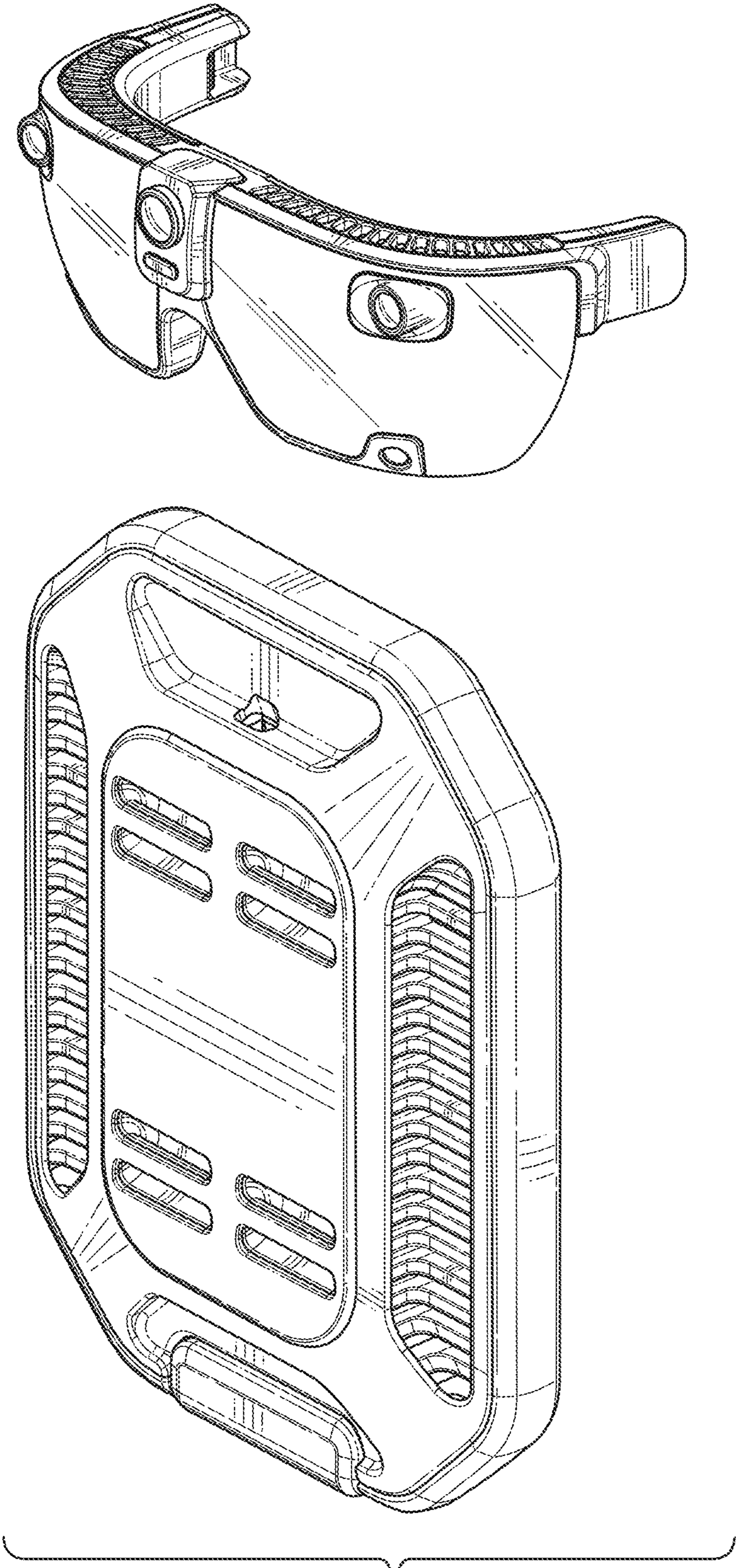


FIG. 1

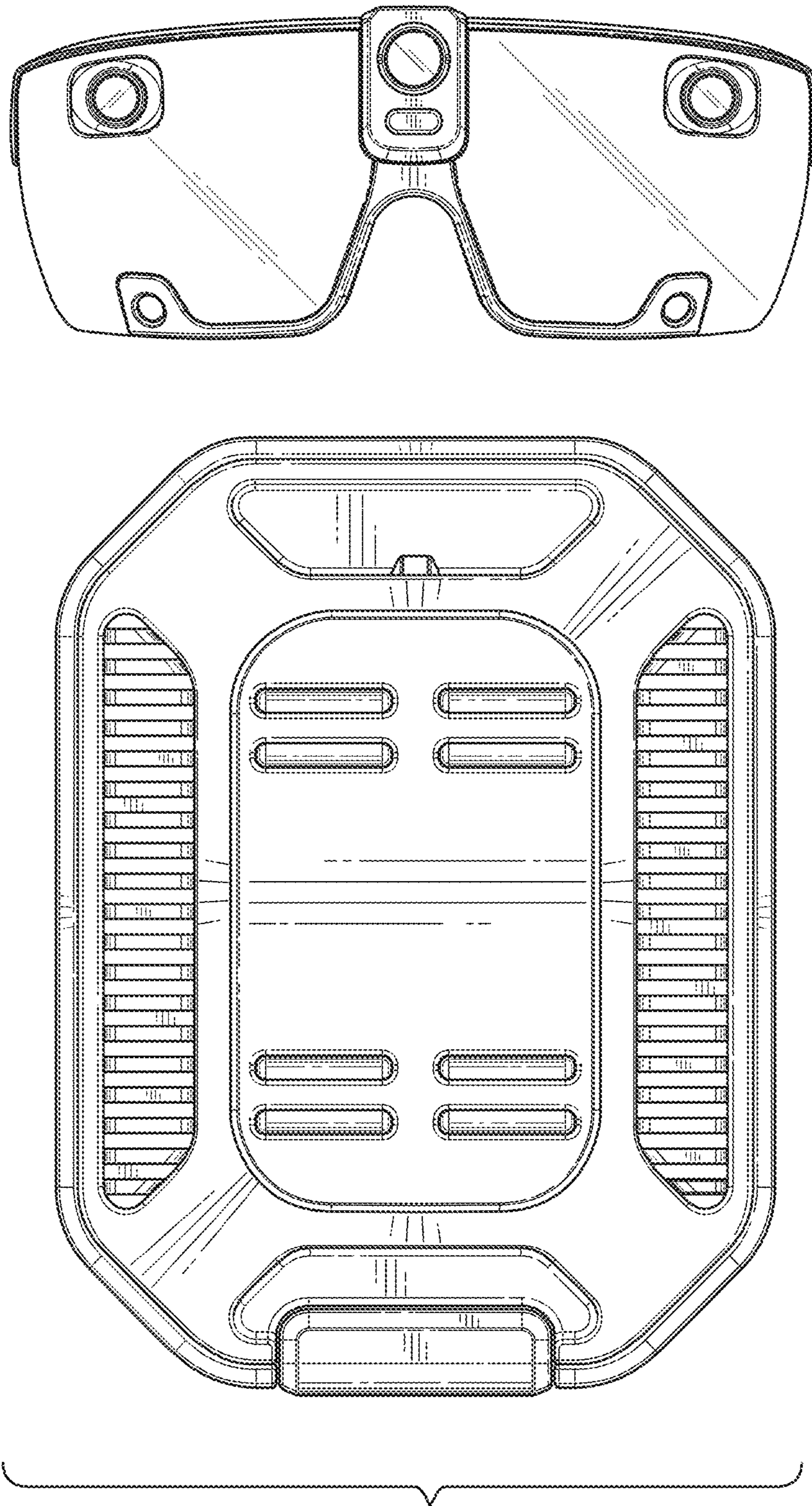


FIG. 2

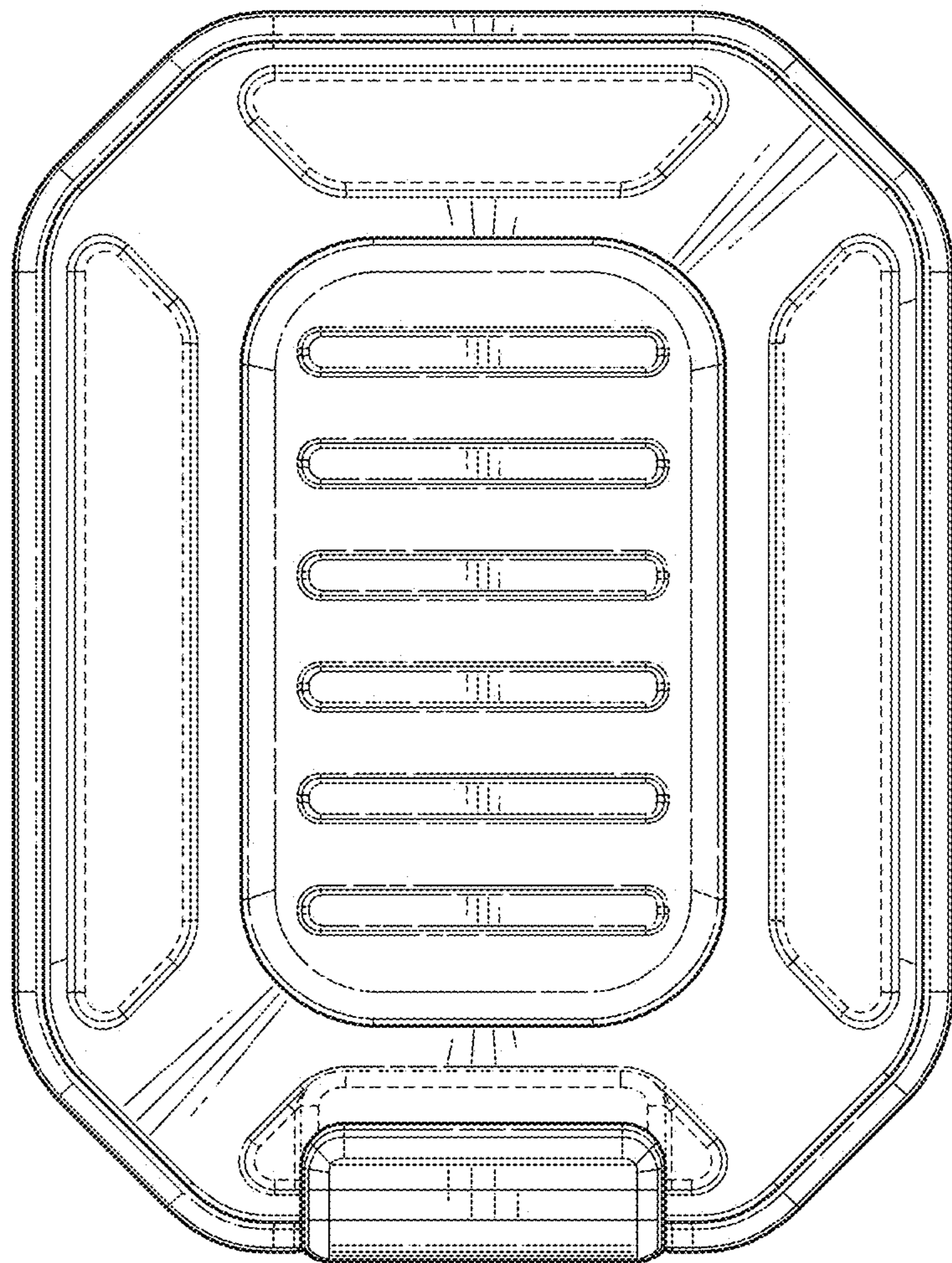
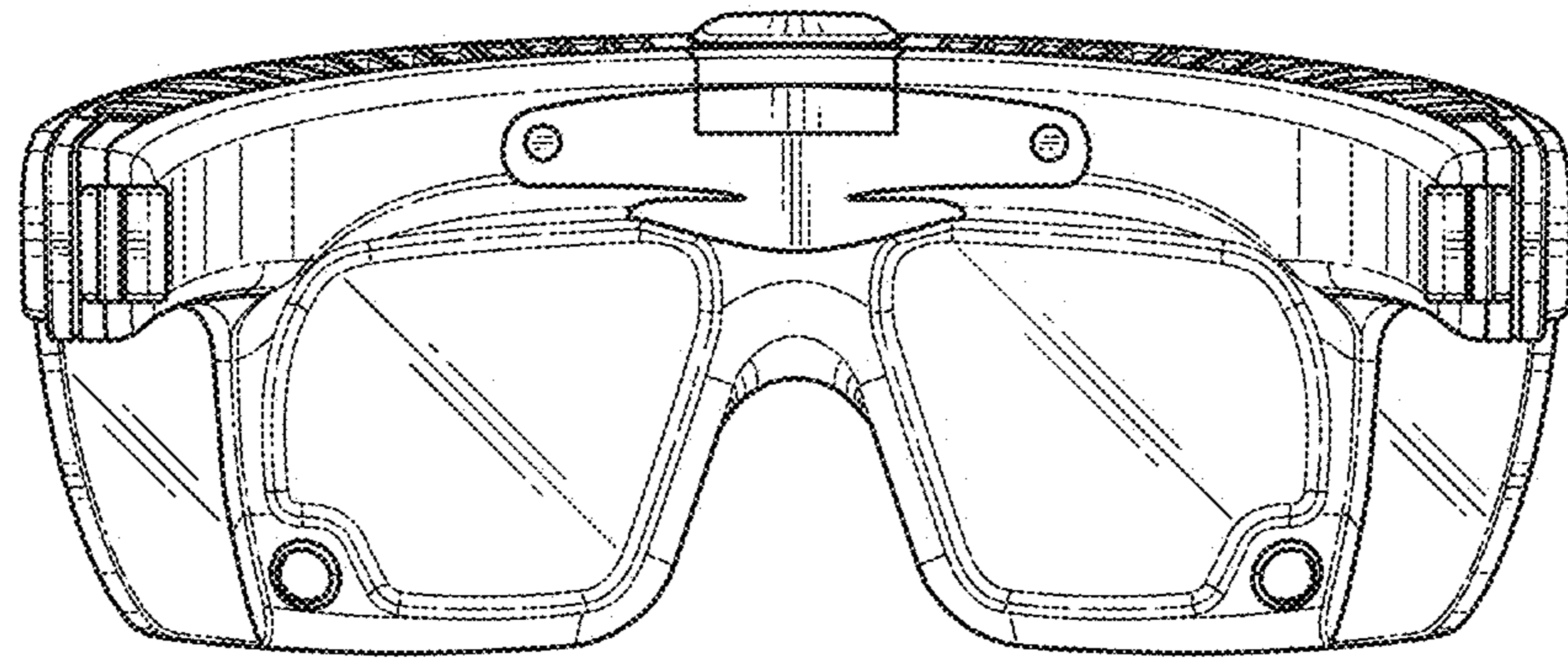


FIG. 3

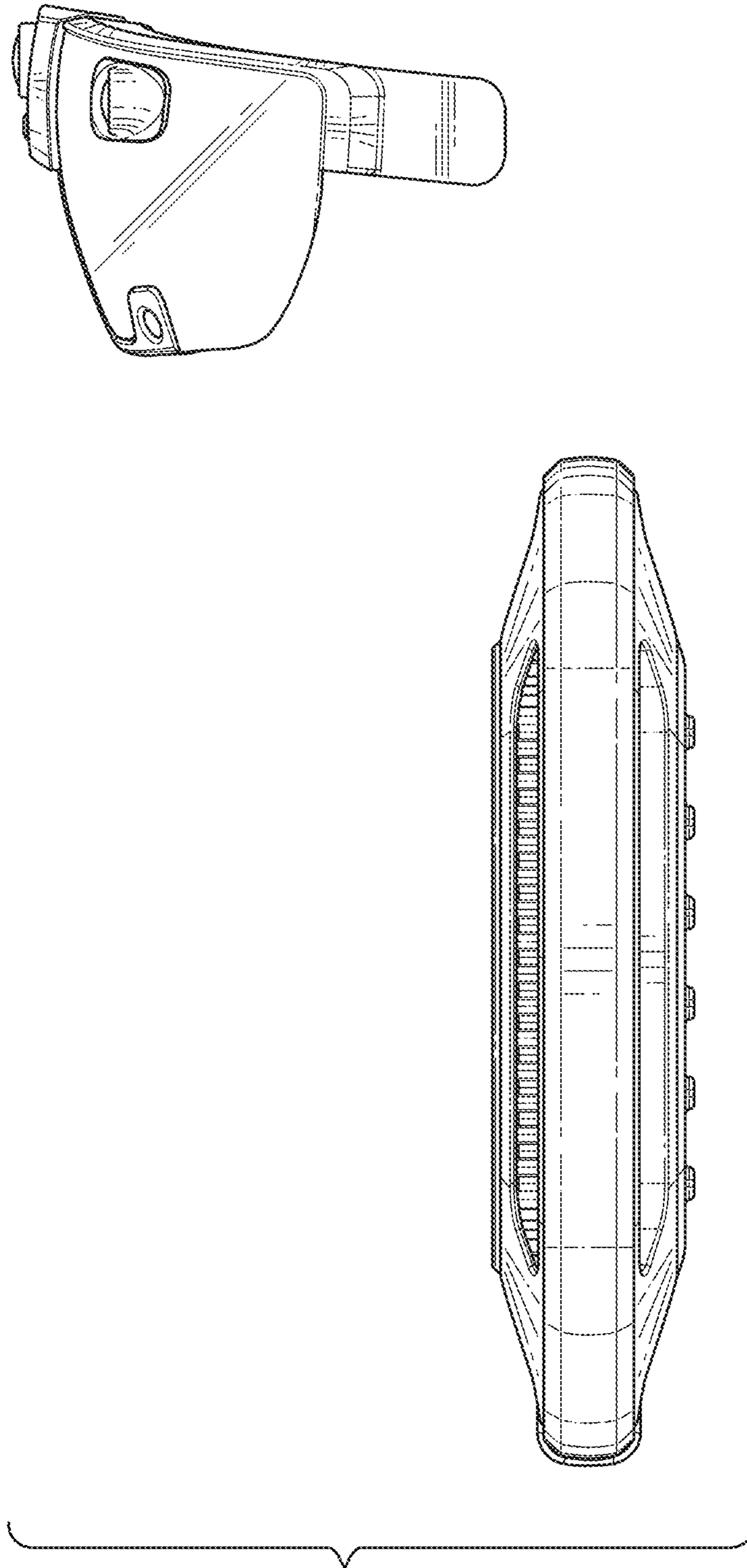


FIG. 4

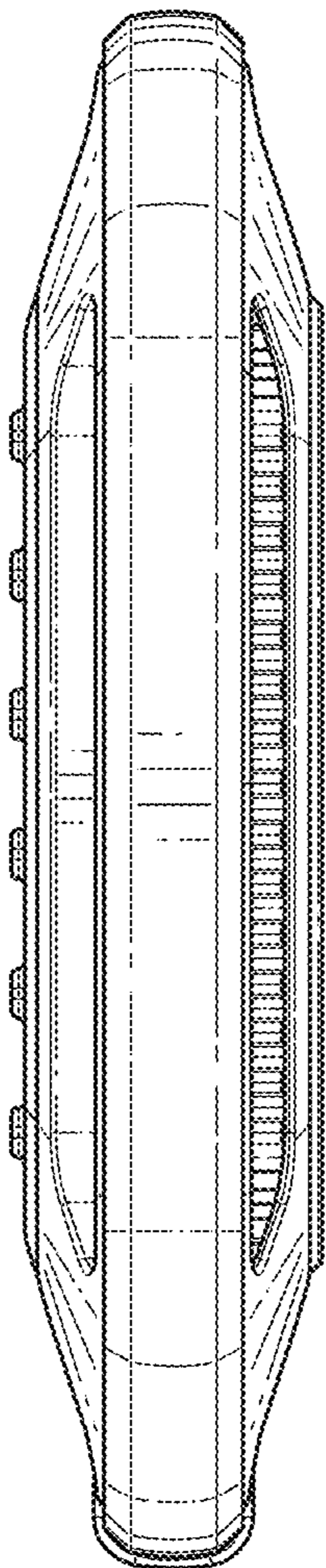
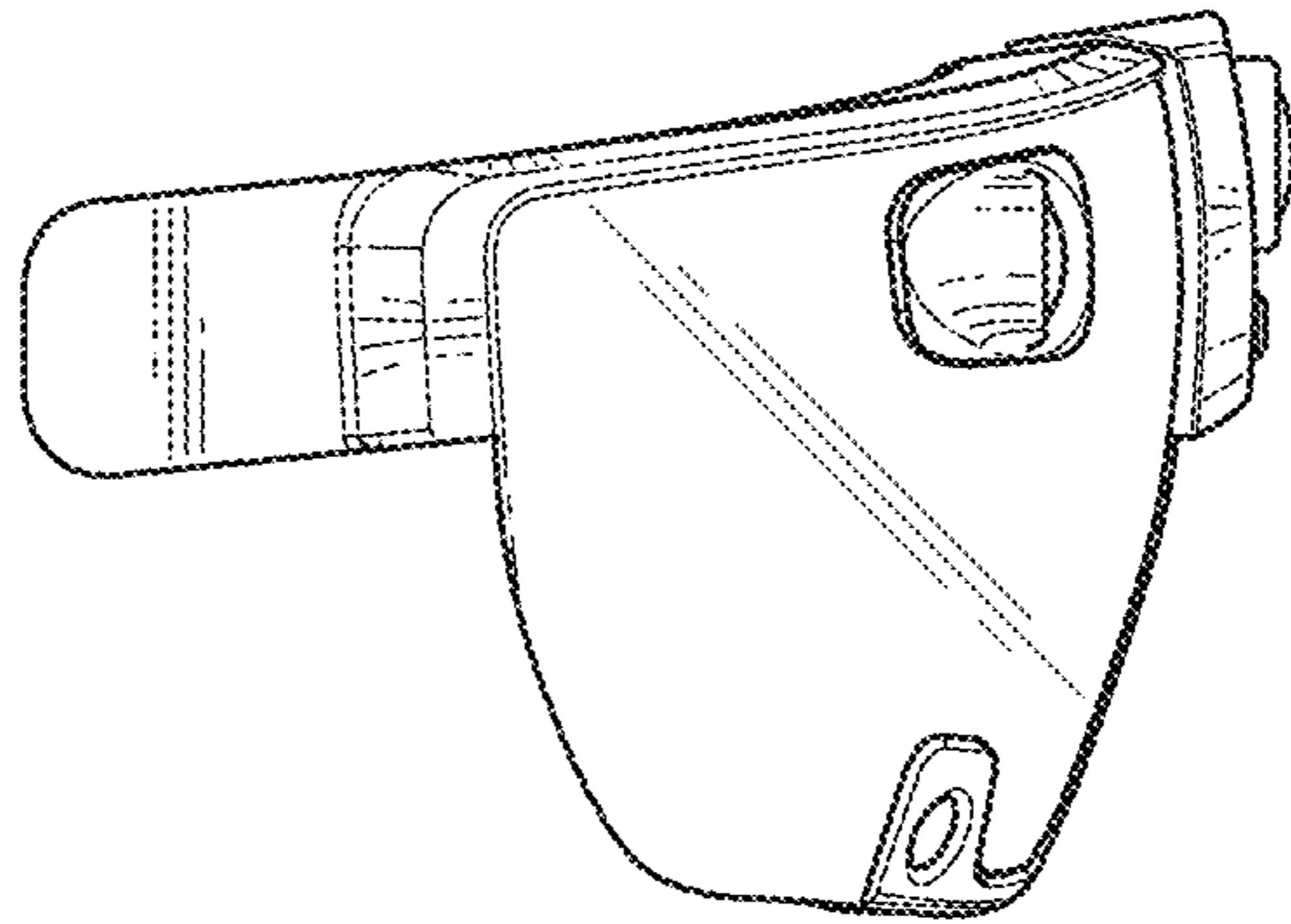


FIG. 5

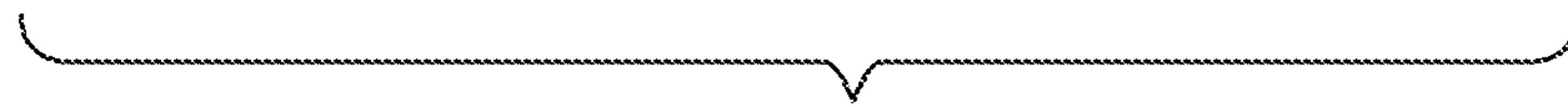
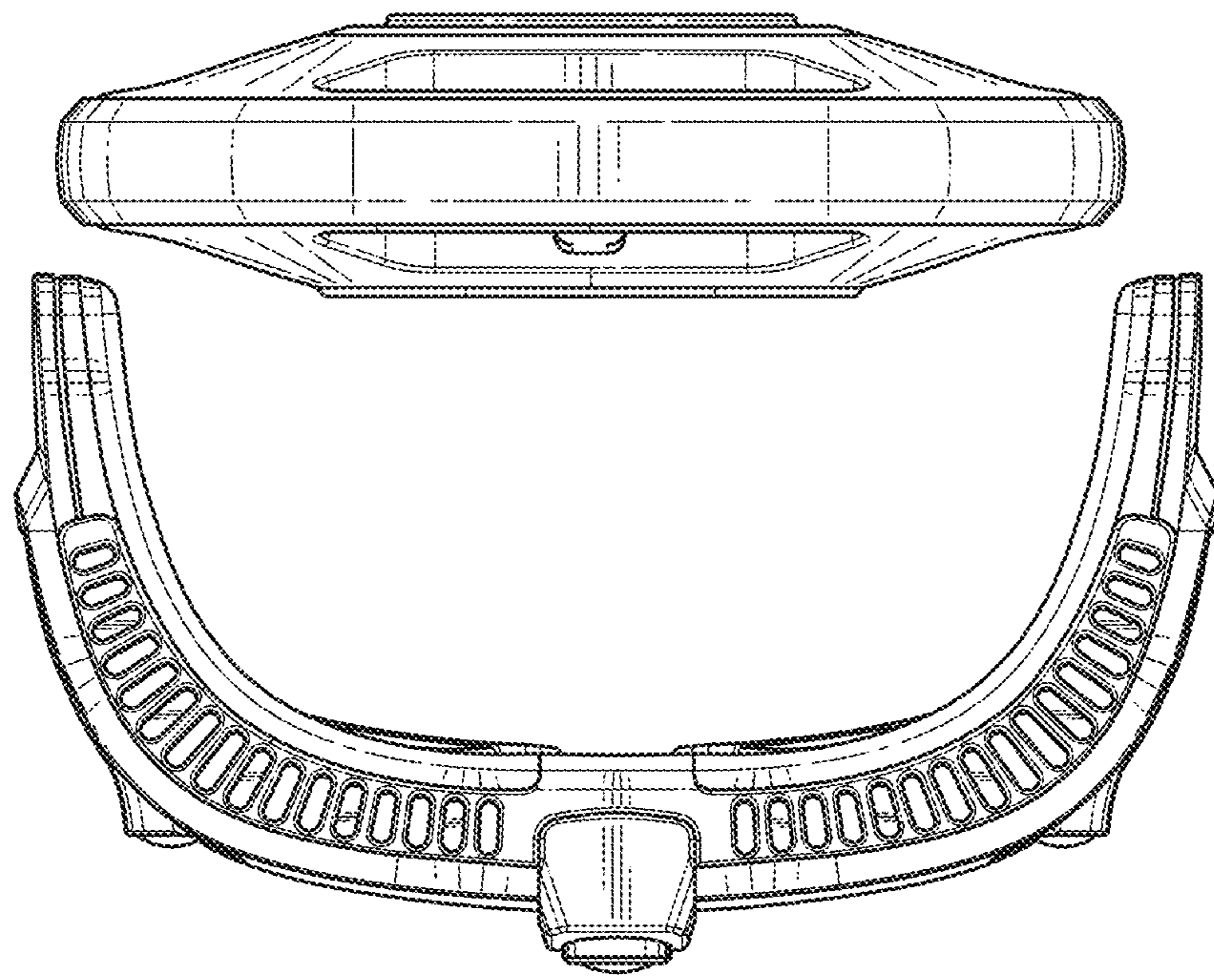


FIG. 6

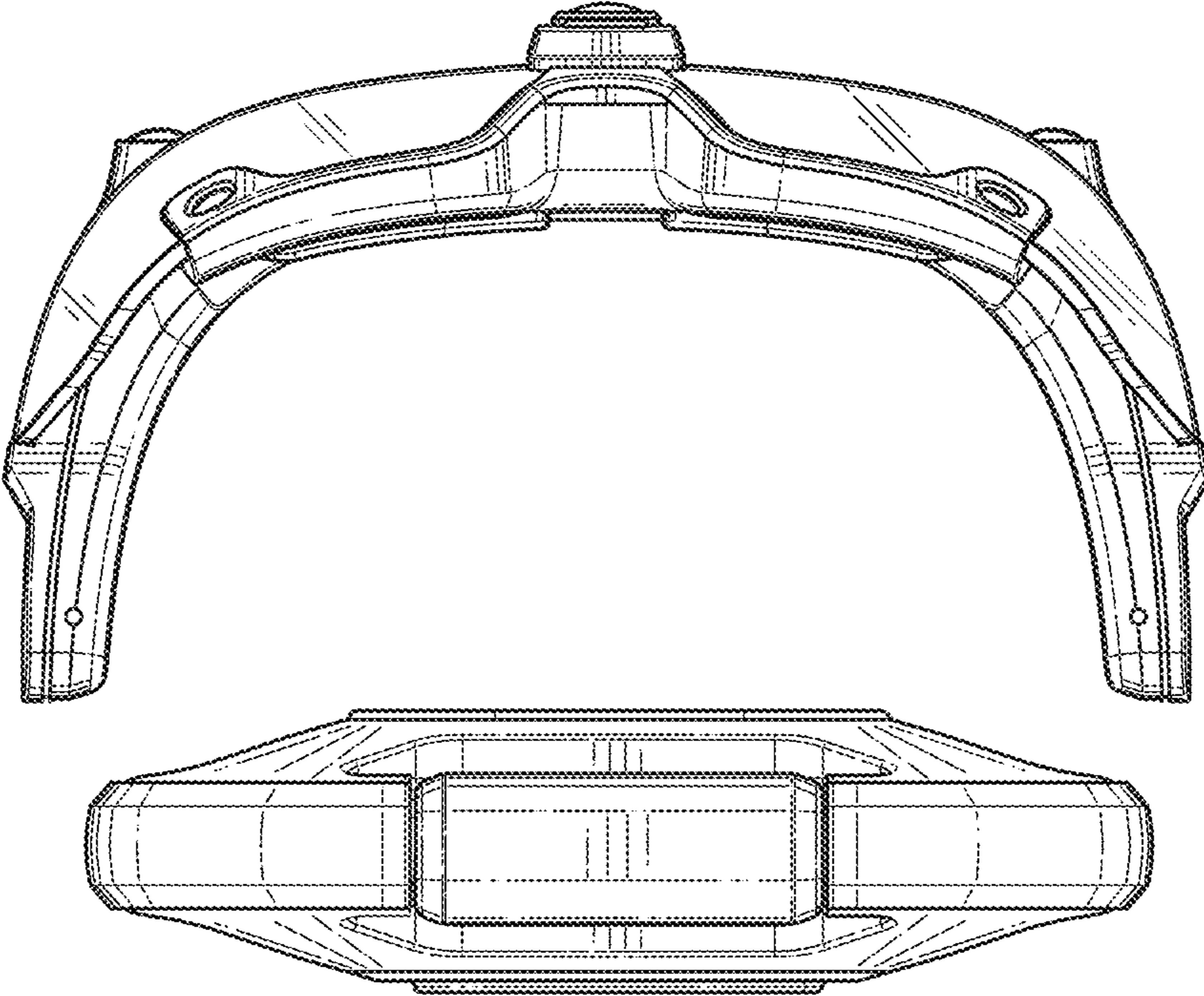


FIG. 7

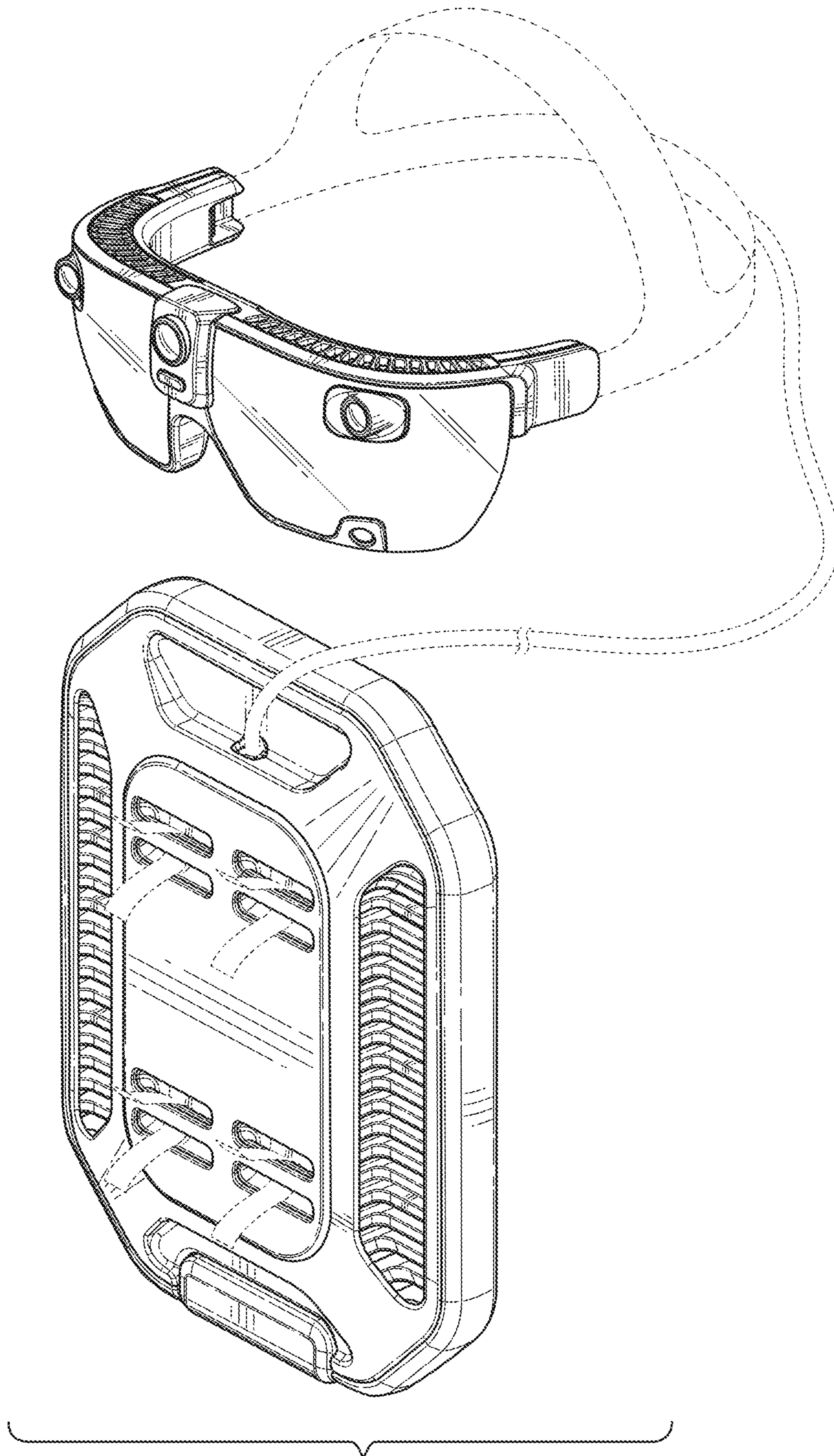


FIG. 8

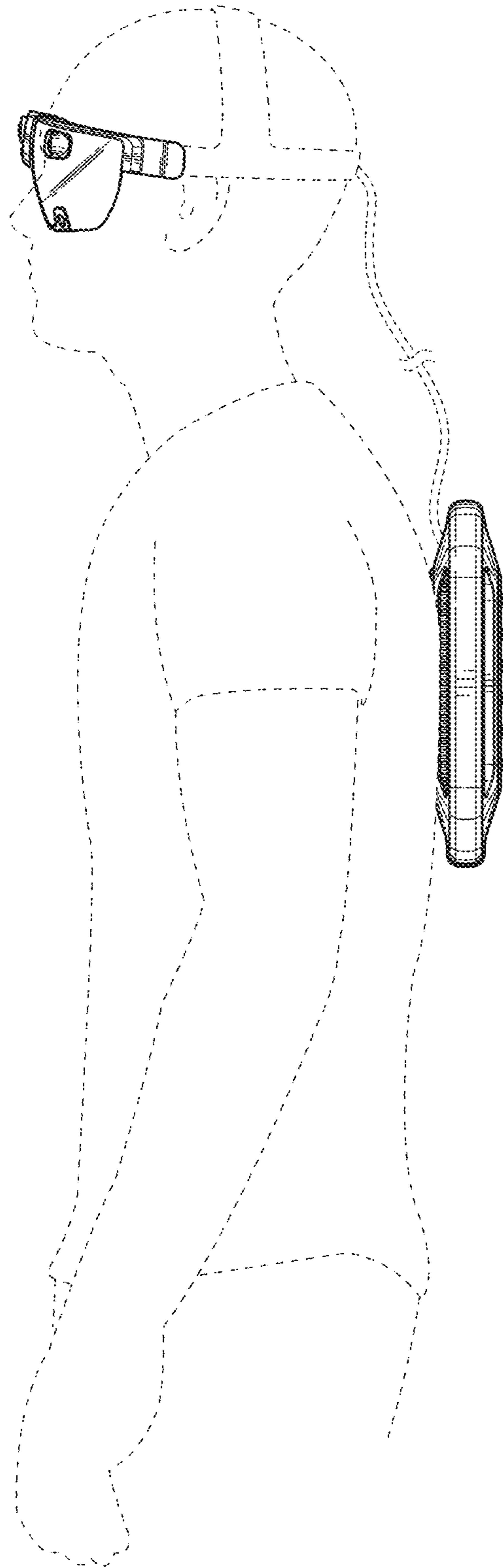


FIG. 9