



US00D918198S

(12) **United States Design Patent** (10) **Patent No.:** **US D918,198 S**  
**McMillen et al.** (45) **Date of Patent:** **\*\* May 4, 2021**

(54) **GLOVE**  
(71) Applicant: **BeBop Sensors, Inc.**, Berkeley, CA (US)  
(72) Inventors: **Keith A. McMillen**, Berkeley, CA (US); **Kyle Lobedan**, Oakland, CA (US); **William Walls**, Oakland, CA (US); **Alex Vittum**, Oakland, CA (US)  
(73) Assignee: **BeBop Sensors, Inc.**, Berkeley, CA (US)

D459,859 S \* 7/2002 Poteat ..... D2/617  
D488,284 S \* 4/2004 Kavana ..... D2/614  
D499,528 S \* 12/2004 Hoskins ..... D2/617  
D594,602 S \* 6/2009 Whitehead, II ..... A63B 71/148  
D29/113  
D635,877 S \* 4/2011 Salnave ..... D11/2  
D650,532 S \* 12/2011 Choi ..... D29/123  
8,209,775 B2 \* 7/2012 Makis ..... A63B 71/141  
2/162  
8,998,831 B2 \* 4/2015 Sankai ..... A61B 5/1121  
601/40  
9,389,684 B2 \* 7/2016 Sebastian ..... G06F 3/014  
9,529,433 B2 \* 12/2016 Shankar ..... G06F 3/014  
(Continued)

(\*\*) Term: **15 Years**

(21) Appl. No.: **29/667,932**  
(22) Filed: **Oct. 25, 2018**  
(51) **LOC (13) Cl.** ..... **14-02**  
(52) **U.S. Cl.**  
USPC ..... **D14/344**  
(58) **Field of Classification Search**  
USPC ..... D14/344, 388, 427; D11/26; D24/167,  
D24/169, 186-187, 164, 200, 214;  
D2/616, 617, 619, 623, 614-615;  
D21/684; D29/113-114  
CPC .... A41D 1/002; A41D 19/0034; A41D 13/08;  
A41D 13/081; A41D 19/00; A41D  
19/0027; A41D 19/0058; G06F 1/163;  
G06F 3/014; H04B 1/385; H04B 1/3888;  
H04B 2001/3861; A63F 13/21; A61B  
5/6806  
See application file for complete search history.

(56) **References Cited**

**U.S. PATENT DOCUMENTS**

2,011,362 A \* 8/1935 Hayward ..... A63B 71/146  
482/105  
D355,750 S \* 2/1995 Fouillard ..... D2/616  
D436,148 S \* 1/2001 Villepigue ..... D21/684  
D459,479 S \* 6/2002 Perricone ..... D24/200

**OTHER PUBLICATIONS**

BeBop Sensors, Smart Glove sensing with haptics, Drum Pad at CES 2018, posted Jan. 25, 2018, [retrieved Aug. 31, 2020], Retrieved from Internet, <URL: <https://www.youtube.com/watch?v=fdwDf3ILqEw> >.\*

*Primary Examiner* — Sheryl Lane  
*Assistant Examiner* — Calvin E Vansant  
(74) *Attorney, Agent, or Firm* — Weaver Austin Villeneuve & Sampson LLP

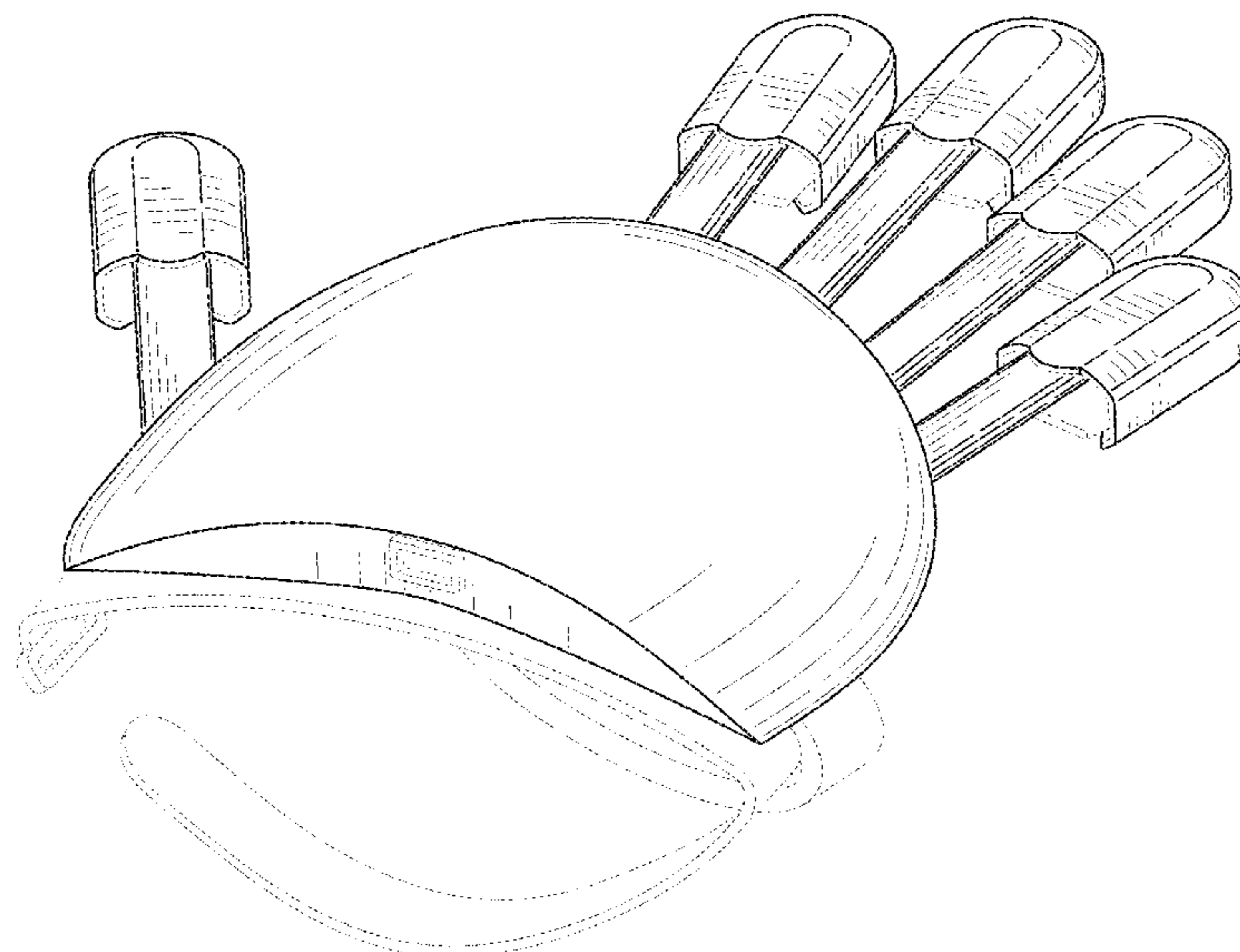
(57) **CLAIM**

What is claimed is a glove, as shown and described.

**DESCRIPTION**

FIG. 1 is a perspective view of a glove.  
FIG. 2 is a front view of the glove of FIG. 1.  
FIG. 3 is a rear view of the glove of FIG. 1.  
FIG. 4 is a left side view of the glove of FIG. 1.  
FIG. 5 is a right side view of the glove of FIG. 1.  
FIG. 6 is a top view of the glove of FIG. 1; and,  
FIG. 7 is a bottom view of the glove of FIG. 1.  
A glove is depicted. The broken lines in the figures depict portions of the glove that form no part of the claimed design.

**1 Claim, 5 Drawing Sheets**



(56)

**References Cited**

U.S. PATENT DOCUMENTS

D787,515	S *	5/2017	Friedman .....	D14/388
9,855,486	B2 *	1/2018	Shupe .....	A41D 19/01517
10,055,017	B2 *	8/2018	Young .....	A63F 13/245
10,310,608	B1 *	6/2019	Keller .....	G06F 3/014
10,420,387	B2 *	9/2019	Zambriski .....	A61B 5/7445
10,546,471	B1 *	1/2020	West .....	G06F 3/016
2020/0012344	A1 *	1/2020	McMillen .....	G10H 1/0008

\* cited by examiner

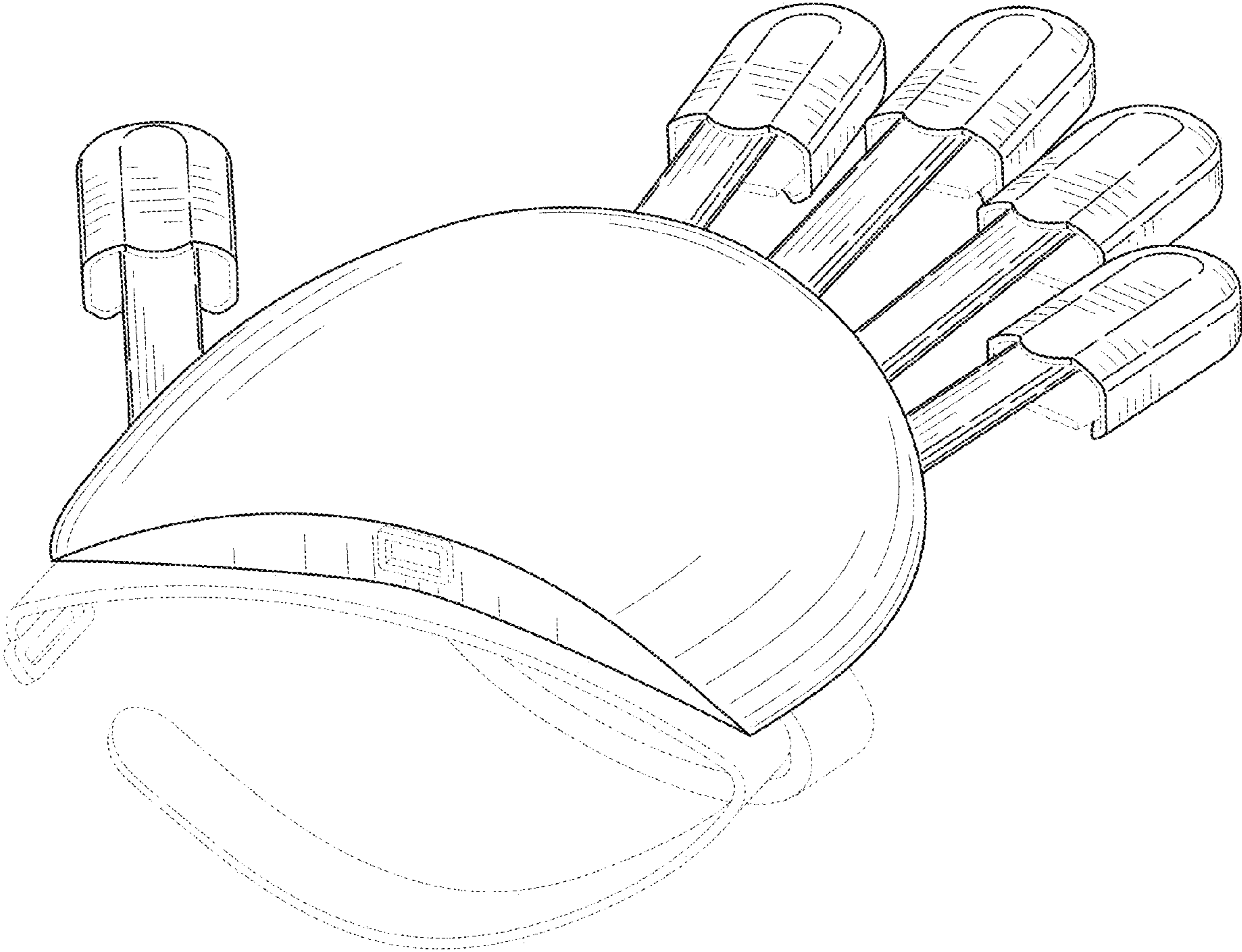


Fig. 1

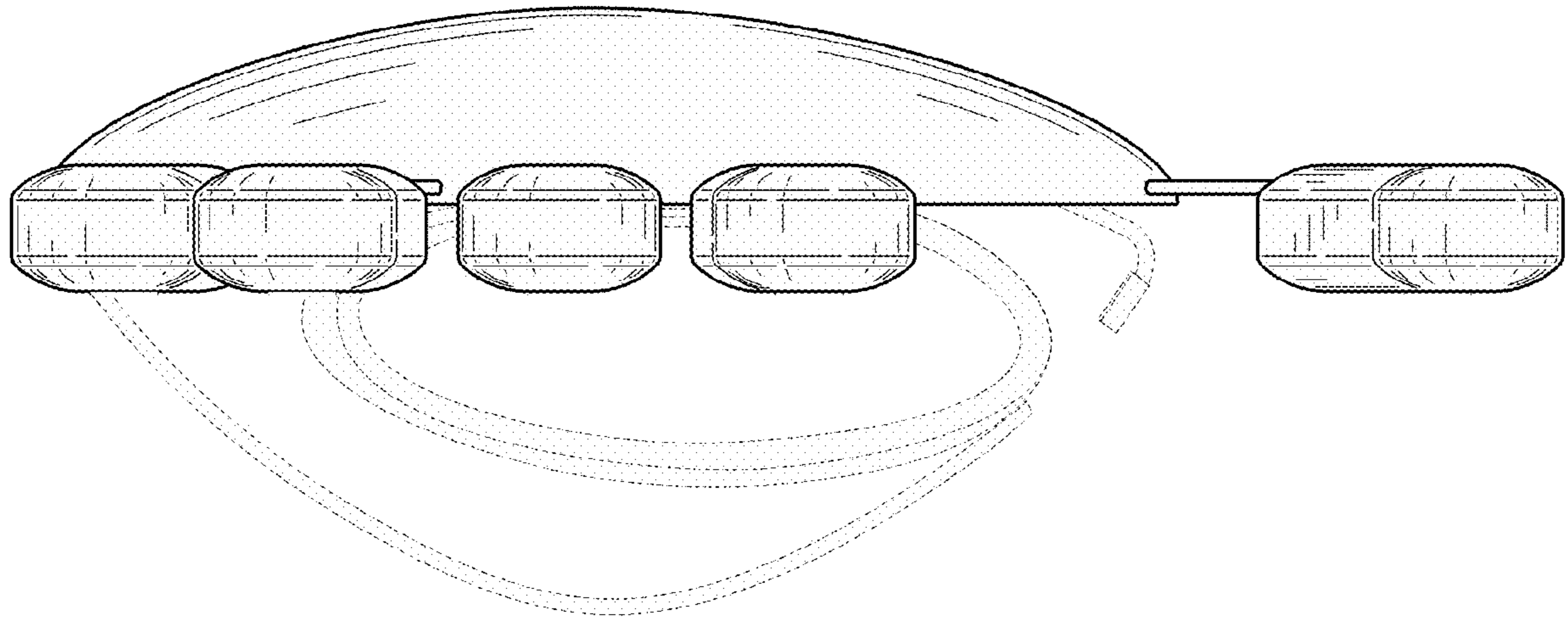


Fig. 2

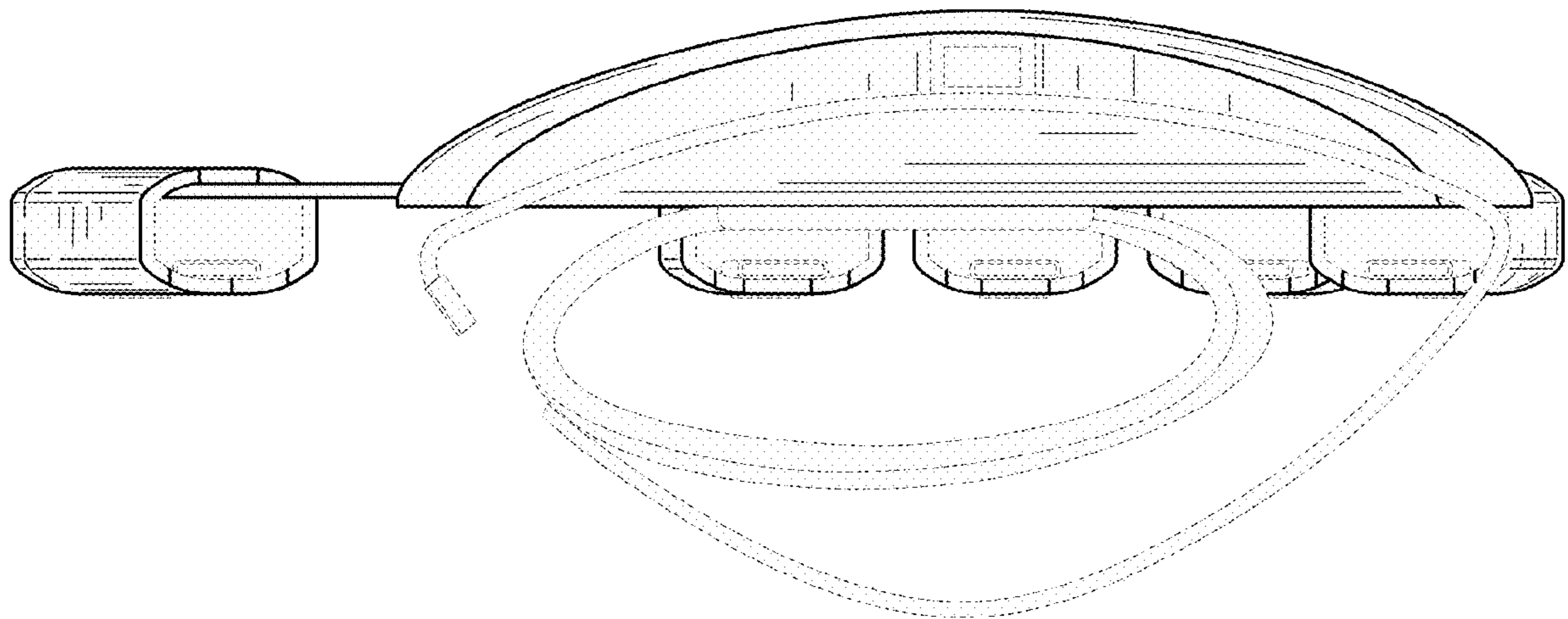


Fig. 3

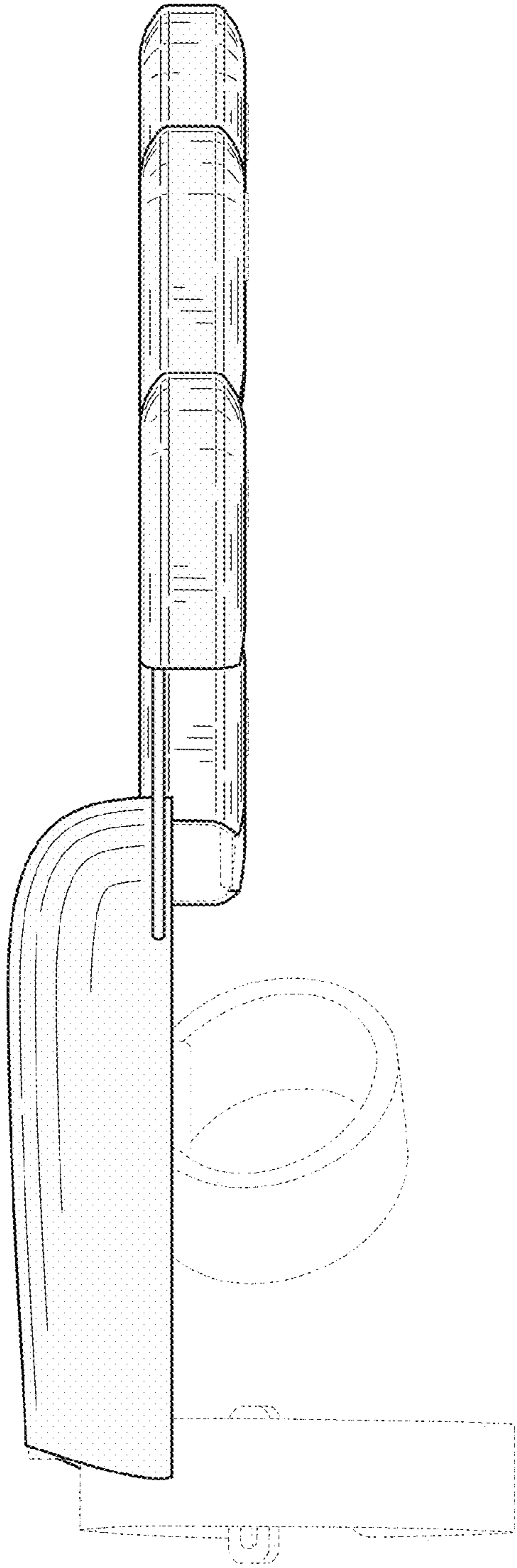


Fig. 4

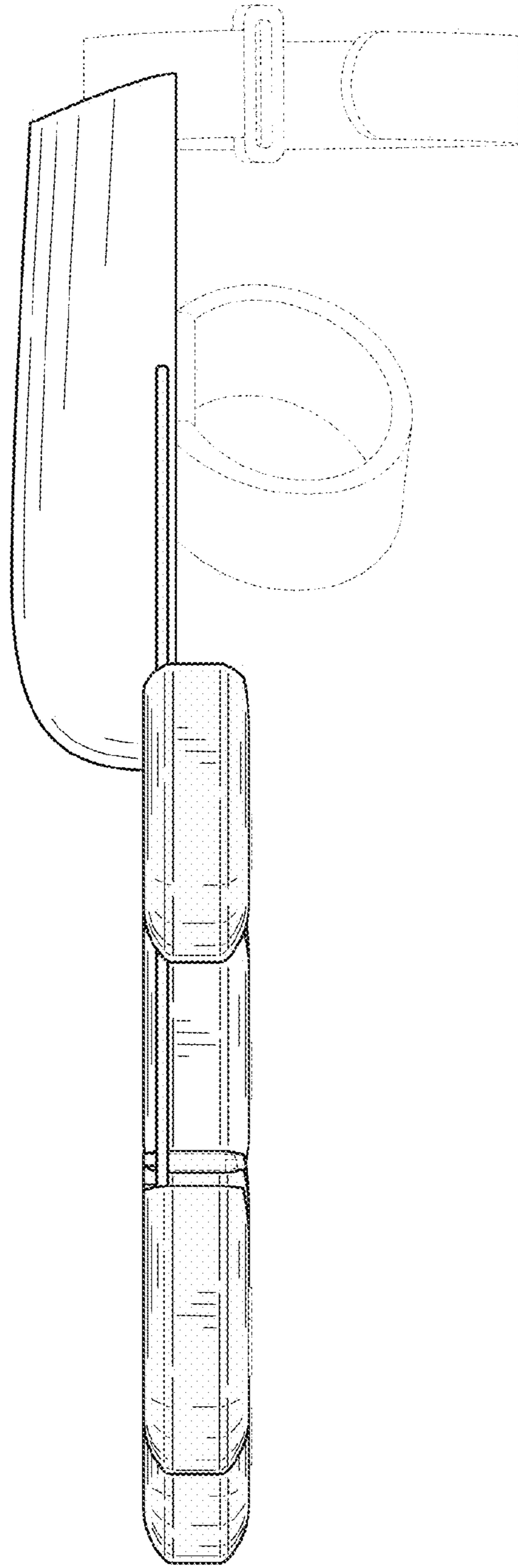


Fig. 5

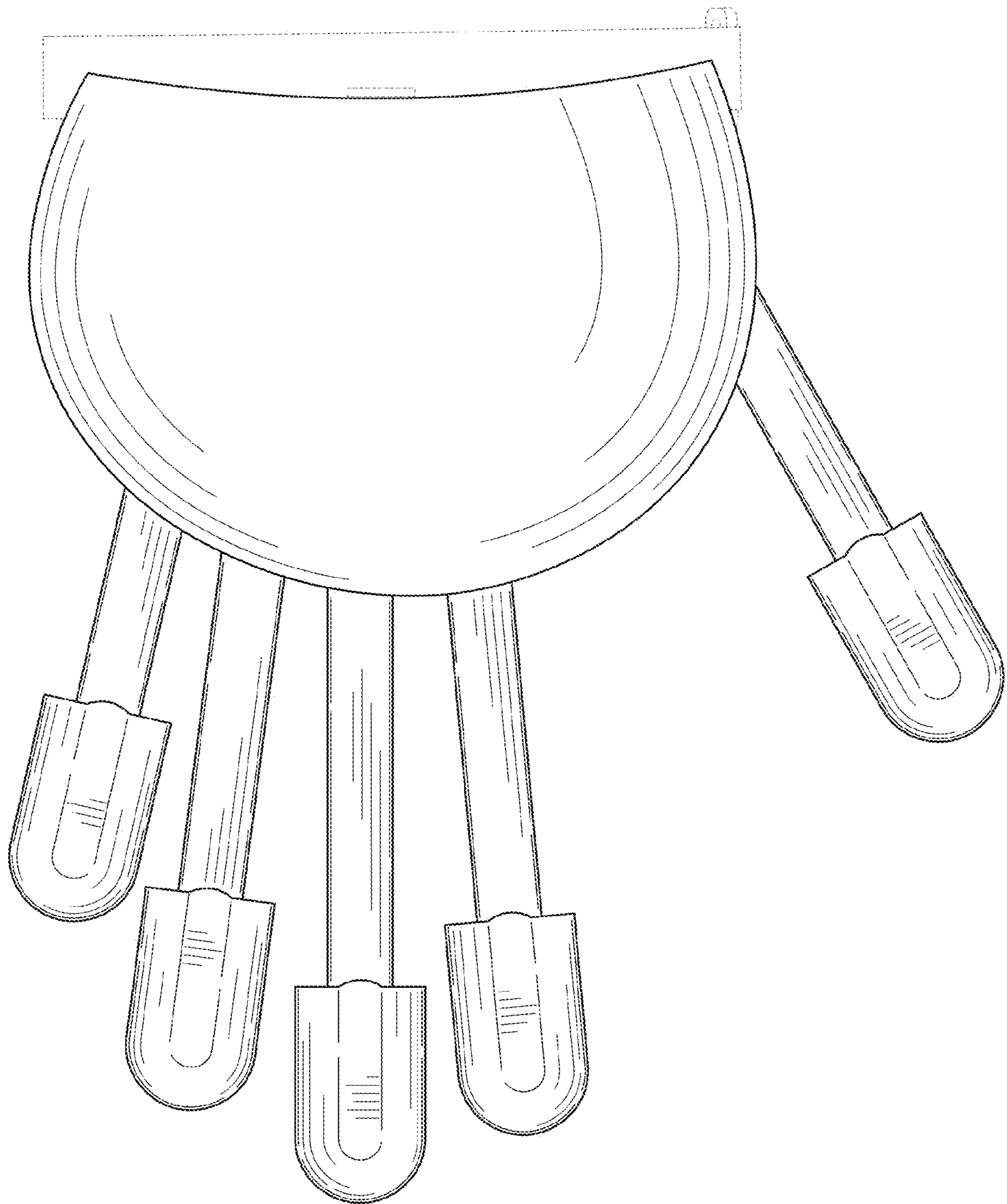


Fig. 6

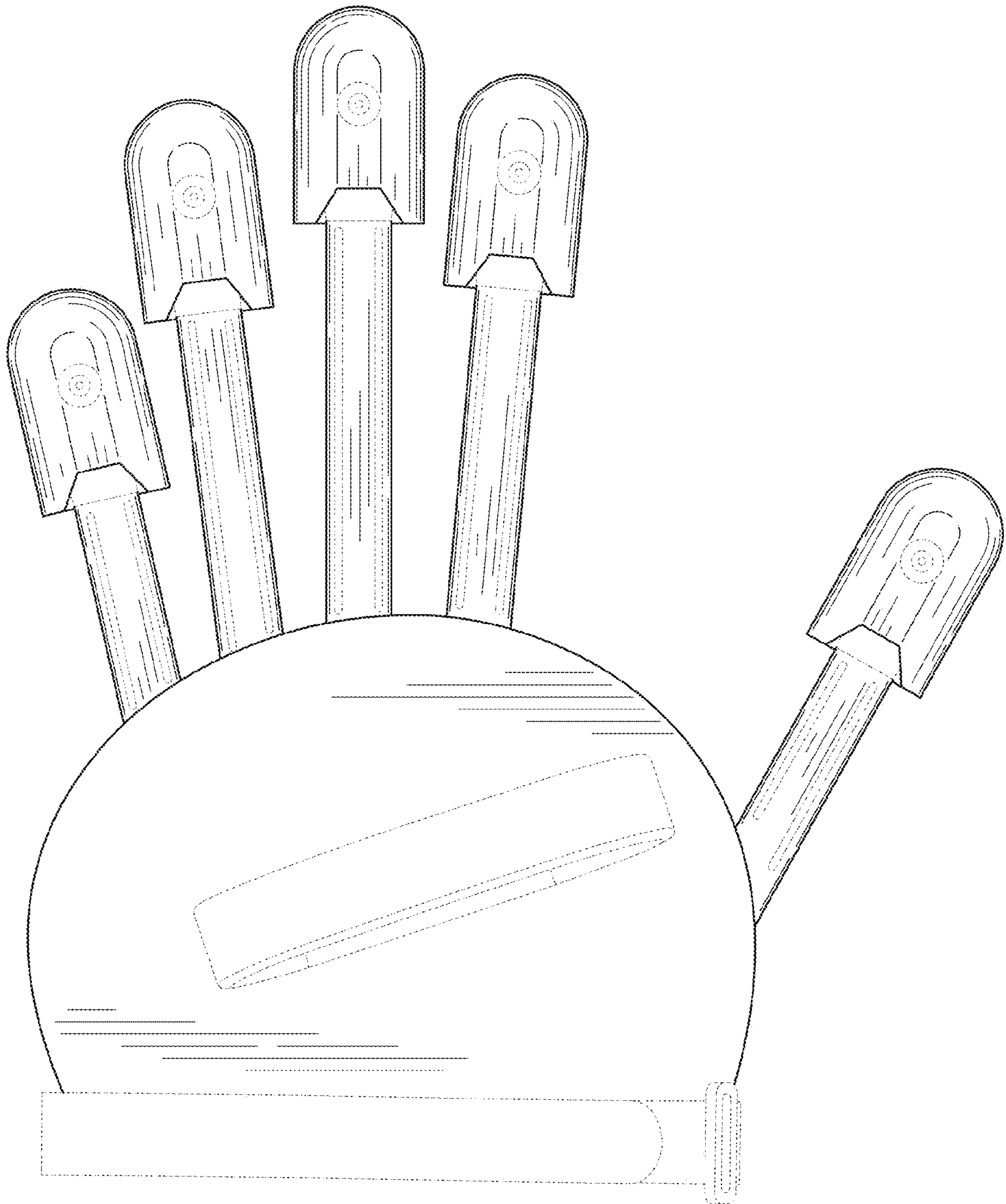


Fig. 7