



US00D918197S

(12) **United States Design Patent** (10) **Patent No.:** **US D918,197 S**
Zheng (45) **Date of Patent:** **** May 4, 2021**

(54) **SMART BRACELET**

(71) Applicant: **SHENZHEN LOOKCARE INDUSTRY CO., LTD**, Shenzhen (CN)

(72) Inventor: **Yongjian Zheng**, Shenzhen (CN)

(73) Assignee: **Shenzhen Lookcare Industry Co., Ltd.**

(**) Term: **15 Years**

(21) Appl. No.: **29/661,258**

(22) Filed: **Aug. 26, 2018**

(51) **LOC (13) Cl.** **14-02**

(52) **U.S. Cl.**
USPC **D14/344**

(58) **Field of Classification Search**
USPC ... D14/138 R, 144, 341, 344, 358, 388, 218, D14/485-495; D10/30-39, 70, 98; D11/3, 4, 26, 93-94, 78.1, 79, 86; D24/167, 169, 186-187, 164
CPC A41D 1/002; A41D 19/0034; G06F 1/04; G06F 1/08; G06F 1/10; G06F 1/14; G06F 1/1626; G06F 1/1628; G06F 1/163; G06F 1/1635; G06F 1/3203; G06Q 20/10; G06Q 20/12; G06Q 20/108; G06Q 20/145; H04B 1/3833; H04B 1/385; H04B 1/3888; H04M 1/02; H04M 1/03; H04M 1/04; H04M 1/05; H04M 1/667; H04M 1/6058; Y02B 60/1217

See application file for complete search history.

(56) **References Cited**

U.S. PATENT DOCUMENTS

D790,374 S *	6/2017	Lean	D10/39
D798,183 S *	9/2017	Monachon	D11/3
D802,453 S *	11/2017	Page	D10/70
D806,589 S *	1/2018	Le Bihan	D10/70
D817,784 S *	5/2018	Swenson	D10/32
D818,467 S *	5/2018	Son	D14/344
D831,645 S *	10/2018	Wu	D14/344
2005/0237704 A1 *	10/2005	Ceresoli	G06F 1/163 361/679.03

* cited by examiner

Primary Examiner — Sheryl Lane

Assistant Examiner — Calvin E Vansant

(57) **CLAIM**

The ornamental design for a smart bracelet, as shown and described.

DESCRIPTION

FIG. 1 is a front view of a smart bracelet showing our new design;

FIG. 2 is a back view thereof;

FIG. 3 is a left side view thereof;

FIG. 4 is a right side view thereof;

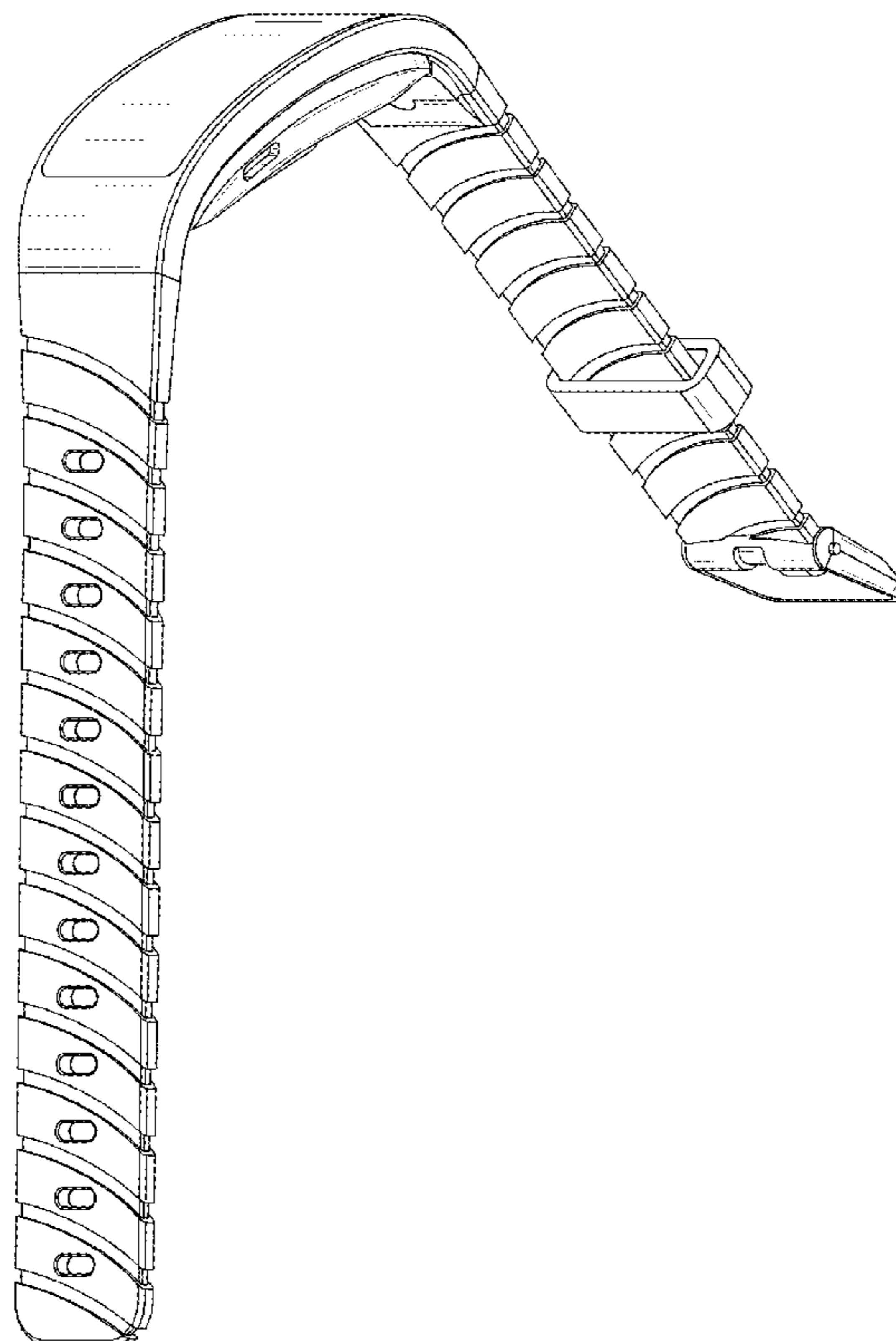
FIG. 5 is a top view thereof;

FIG. 6 is a bottom view thereof;

FIG. 7 is a perspective view thereof; and,

FIG. 8 is another perspective view thereof.

1 Claim, 6 Drawing Sheets



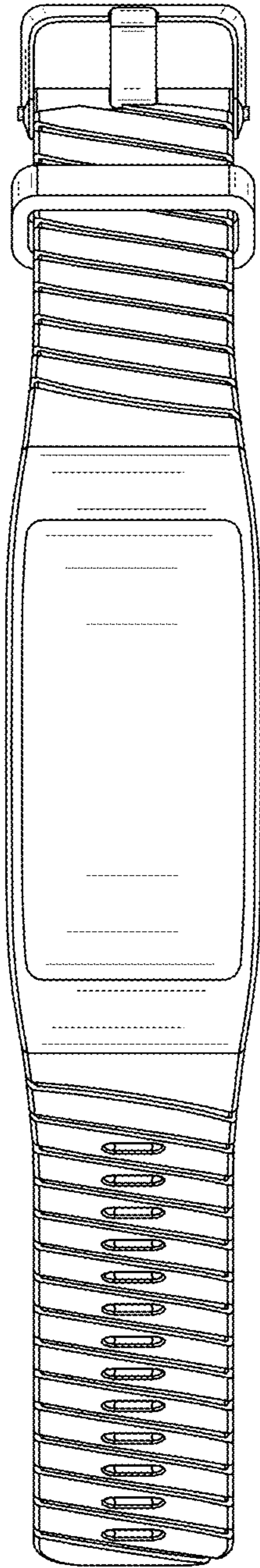


Fig.1

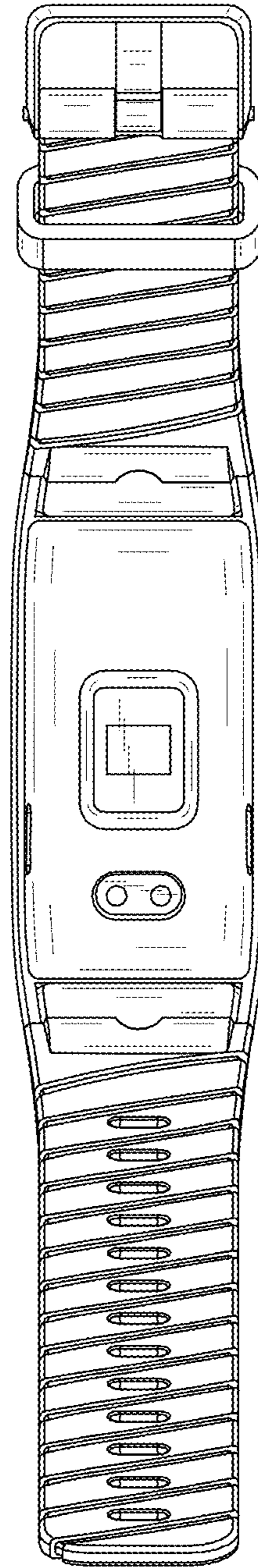


Fig.2

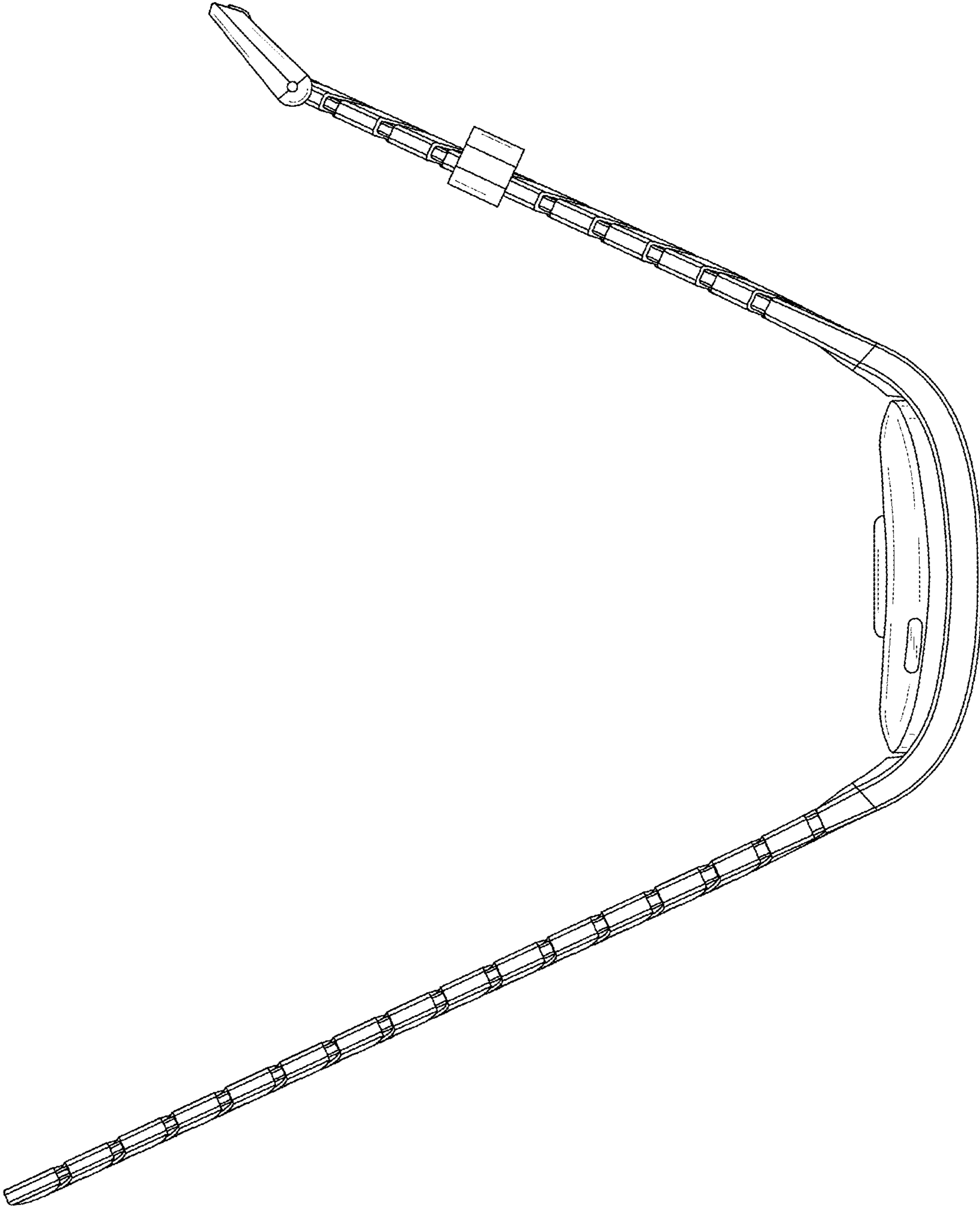


Fig3

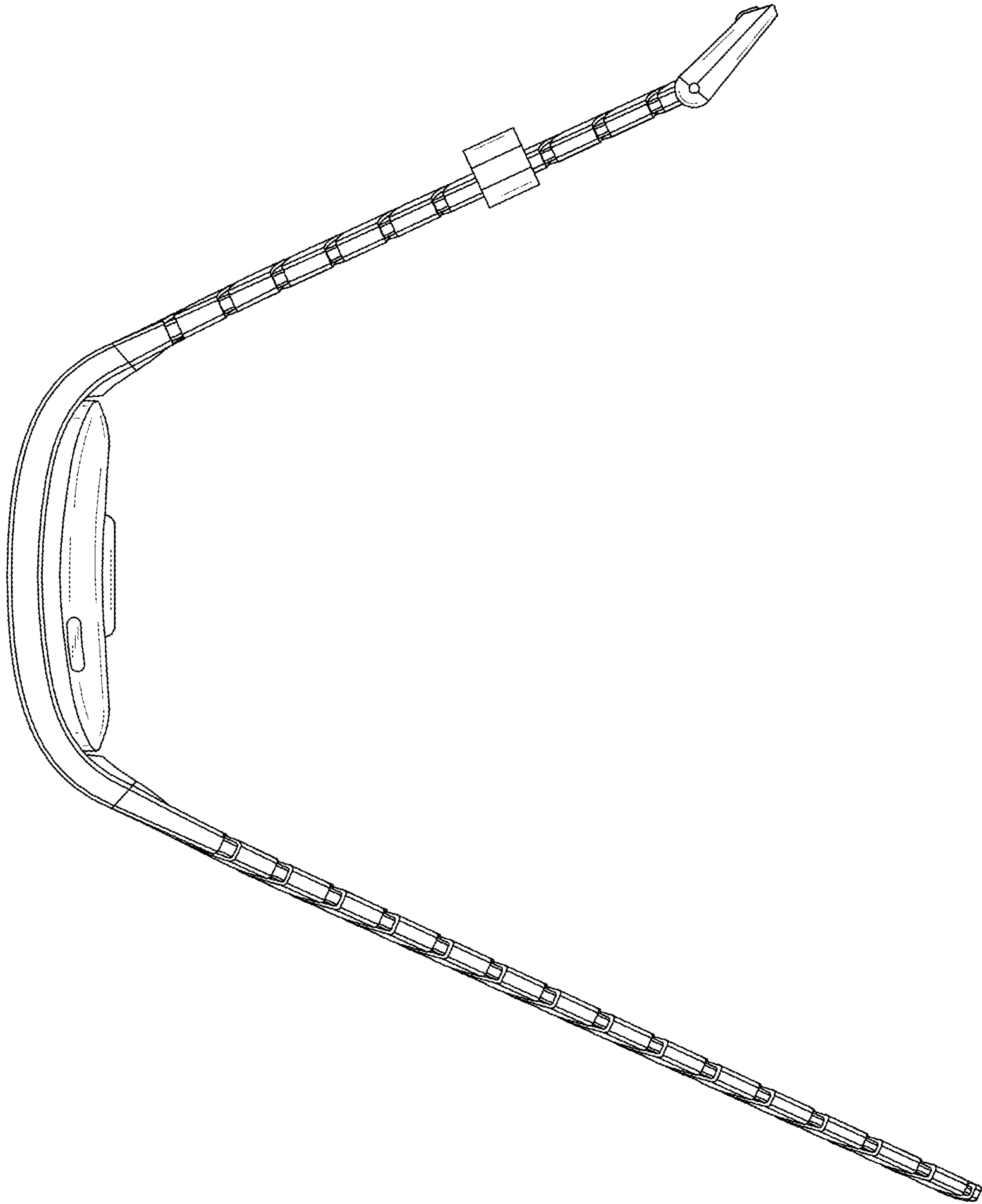


Fig.4

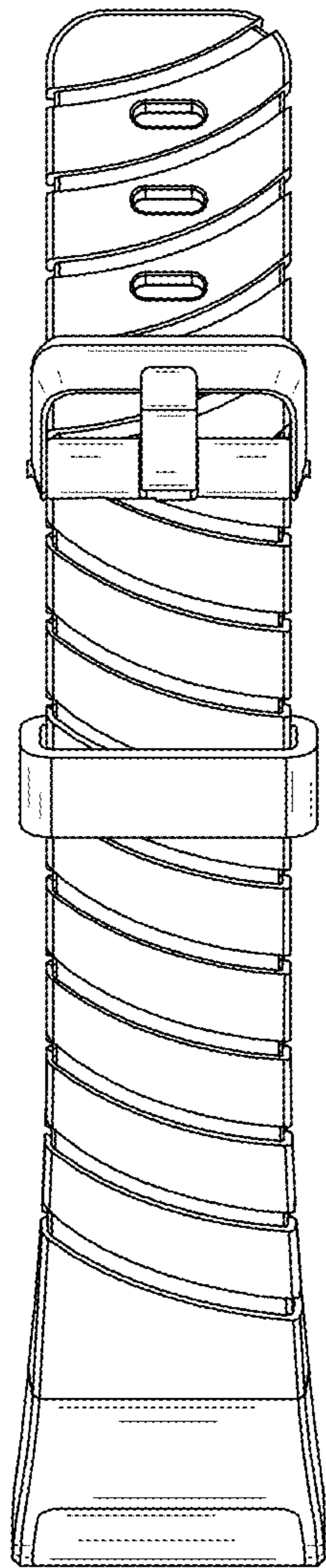


Fig.5

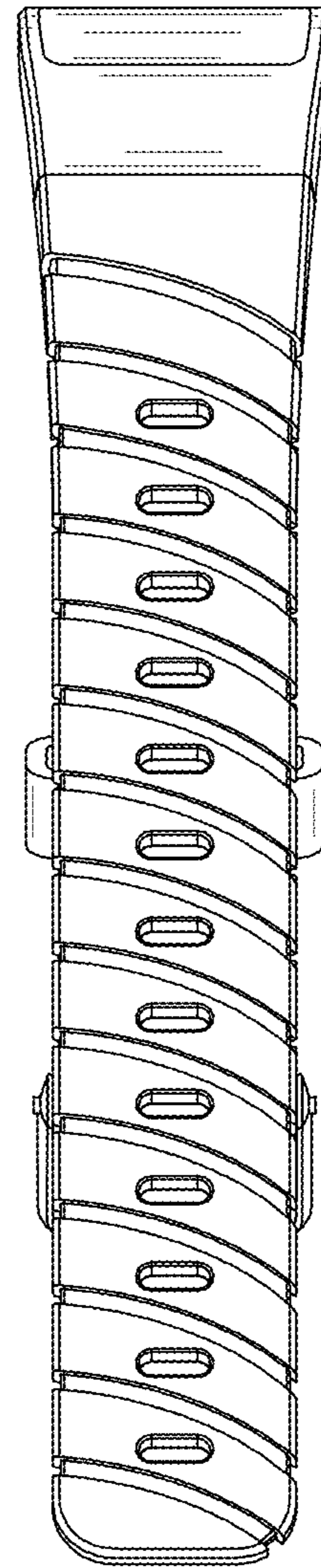


Fig.6

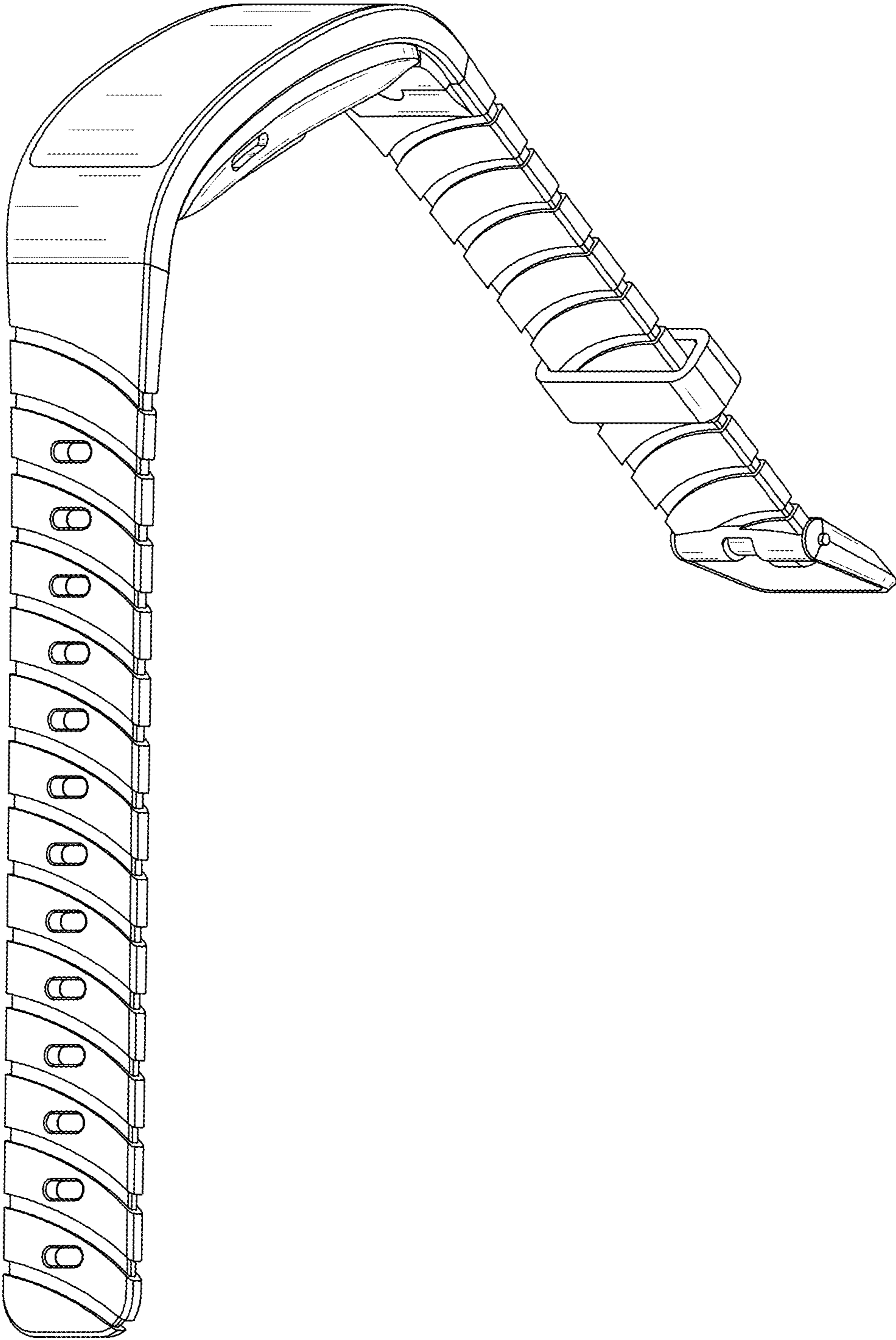


Fig.7

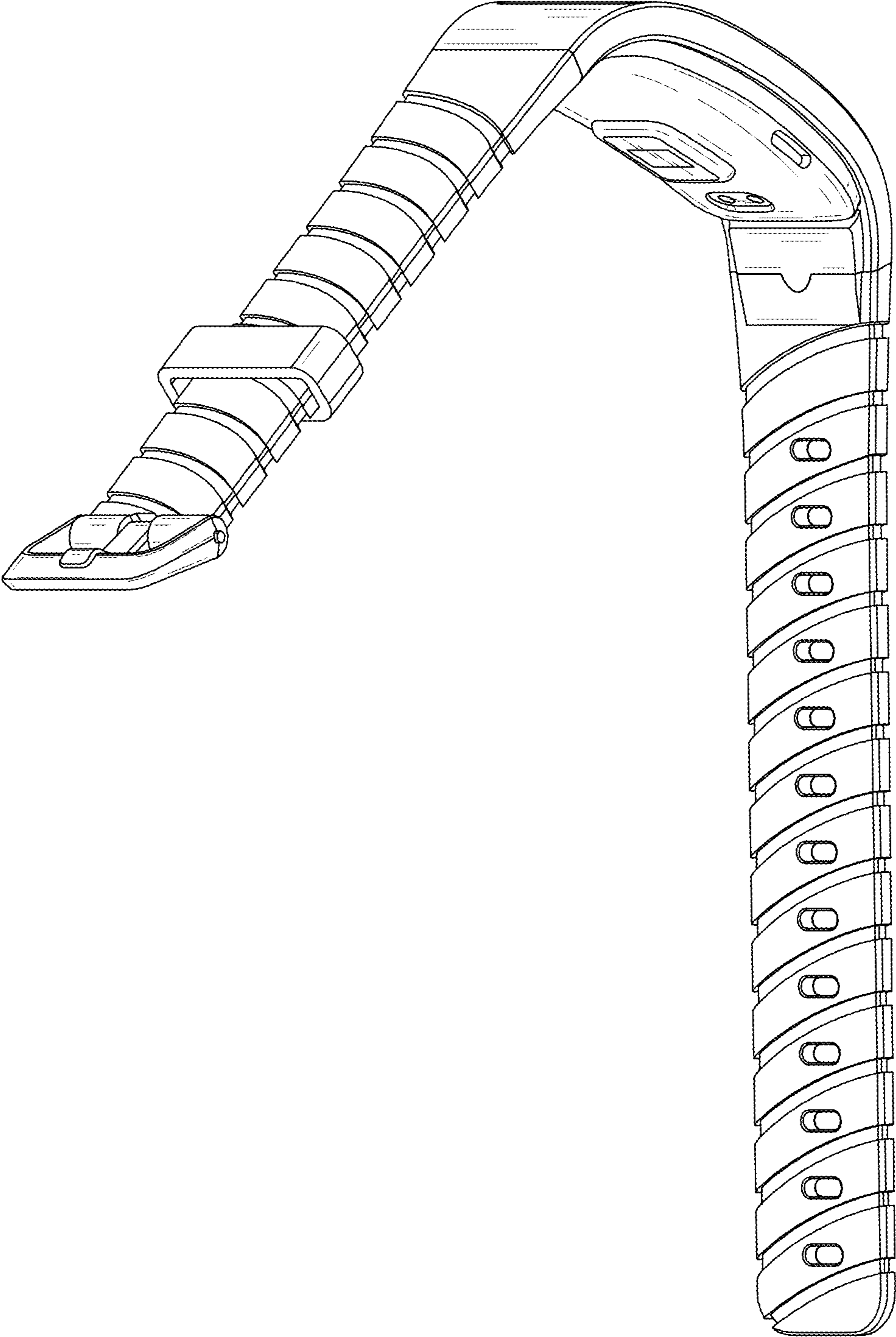


Fig.8