



US00D918194S

(12) **United States Design Patent** (10) **Patent No.:** **US D918,194 S**
Birgeoglu (45) **Date of Patent:** **** May 4, 2021**

- (54) **KIOSK**
- (71) Applicant: **Zivelo, Inc.**, Scottsdale, AZ (US)
- (72) Inventor: **Zubair Birgeoglu**, Scottsdale, AZ (US)
- (73) Assignee: **ZIVELO INC.**, Scottsdale, AZ (US)
- (**) Term: **15 Years**
- (21) Appl. No.: **29/739,359**
- (22) Filed: **Jun. 24, 2020**

D721,696 S *	1/2015	Birgeoglu	D14/307
D722,313 S *	2/2015	Birgeoglu	D14/307
D723,025 S *	2/2015	Birgeoglu	D14/307
D723,026 S *	2/2015	Birgeoglu	D14/307
D734,315 S *	7/2015	Masuda	D14/307
D751,061 S *	3/2016	Berini	D14/307
D752,032 S *	3/2016	Taylor	D14/307
D783,596 S *	4/2017	Payne	D14/307
D795,242 S *	8/2017	Birgeoglu	D14/307
D836,098 S *	12/2018	Vaananen	D14/307

(Continued)

Primary Examiner — Austin Murphy
(74) *Attorney, Agent, or Firm* — Greenberg Traurig LLP

Related U.S. Application Data

- (62) Division of application No. 29/614,583, filed on Aug. 21, 2017, now Pat. No. Des. 889,455, which is a division of application No. 29/513,992, filed on Jan. 7, 2015, now Pat. No. Des. 795,242, which is a division of application No. 29/432,551, filed on Sep. 17, 2012, now Pat. No. Des. 723,025.

- (51) **LOC (13) Cl.** **14-02**
- (52) **U.S. Cl.**
USPC **D14/307**

- (58) **Field of Classification Search**
USPC D14/302–307, 900–902; D13/163;
D20/10; D21/332, 325, 369, 370;
D99/28; D6/397, 466; 361/679.01,
361/679.02, 679.04, 679.21, 679.57, 725
CPC G06Q 20/18; G06Q 20/10; G06Q 20/123;
G06Q 20/20; G06Q 30/02; G06Q 30/06;
A47F 9/047

See application file for complete search history.

- (56) **References Cited**

U.S. PATENT DOCUMENTS

D585,943 S *	2/2009	Pymm	D20/10
D639,800 S *	6/2011	Magruder	D14/307
D676,038 S *	2/2013	Masuda	D14/307

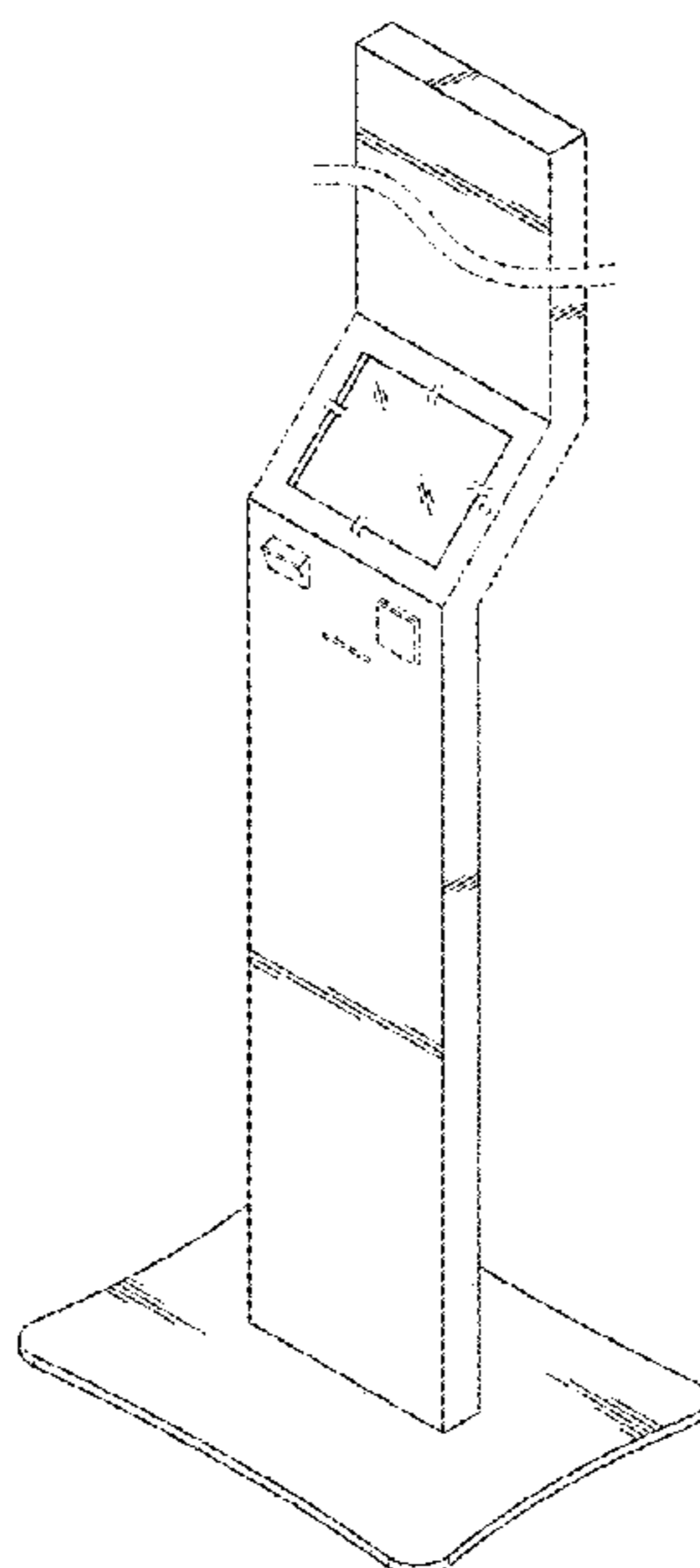
(57) **CLAIM**

The ornamental design for a kiosk, as shown and described.

DESCRIPTION

FIG. 1 is a top, front, and right side perspective of another embodiment of a kiosk embodying my new design.
 FIG. 2 is a top, back, and right side perspective of the embodiment of FIG. 1.
 FIG. 3 is a front view of the embodiment of FIG. 1.
 FIG. 4 is a back view of the embodiment of FIG. 1.
 FIG. 5 is a right side view of the embodiment of FIG. 1.
 FIG. 6 is a left side view of the embodiment of FIG. 1.
 FIG. 7 is a top view of the embodiment of FIG. 1.
 FIG. 8 is a bottom view of the embodiment of FIG. 1.
 FIG. 9 is a top, front, and right side perspective of another embodiment of a kiosk embodying my new design.
 FIG. 10 is a top, back, and right side perspective of the embodiment of FIG. 9.
 FIG. 11 is a front view of the embodiment of FIG. 9.
 FIG. 12 is a back view of the embodiment of FIG. 9.
 FIG. 13 is a right side view of the embodiment of FIG. 9.
 FIG. 14 is a left side view of the embodiment of FIG. 9.
 FIG. 15 is a top view of the embodiment of FIG. 9; and
 FIG. 16 is a bottom view of the embodiment of FIG. 9.

1 Claim, 14 Drawing Sheets



(56)

References Cited

U.S. PATENT DOCUMENTS

D836,099	S	*	12/2018	Vaananen	D14/307
D853,378	S	*	7/2019	Vaananen	D14/307
D889,455	S	*	7/2020	Birgeoglu	D14/307
2002/0124271	A1	*	9/2002	Herrmann	H04N 21/4782
						725/151
2011/0192681	A1	*	8/2011	Johnson	G06Q 20/18
						186/52

* cited by examiner

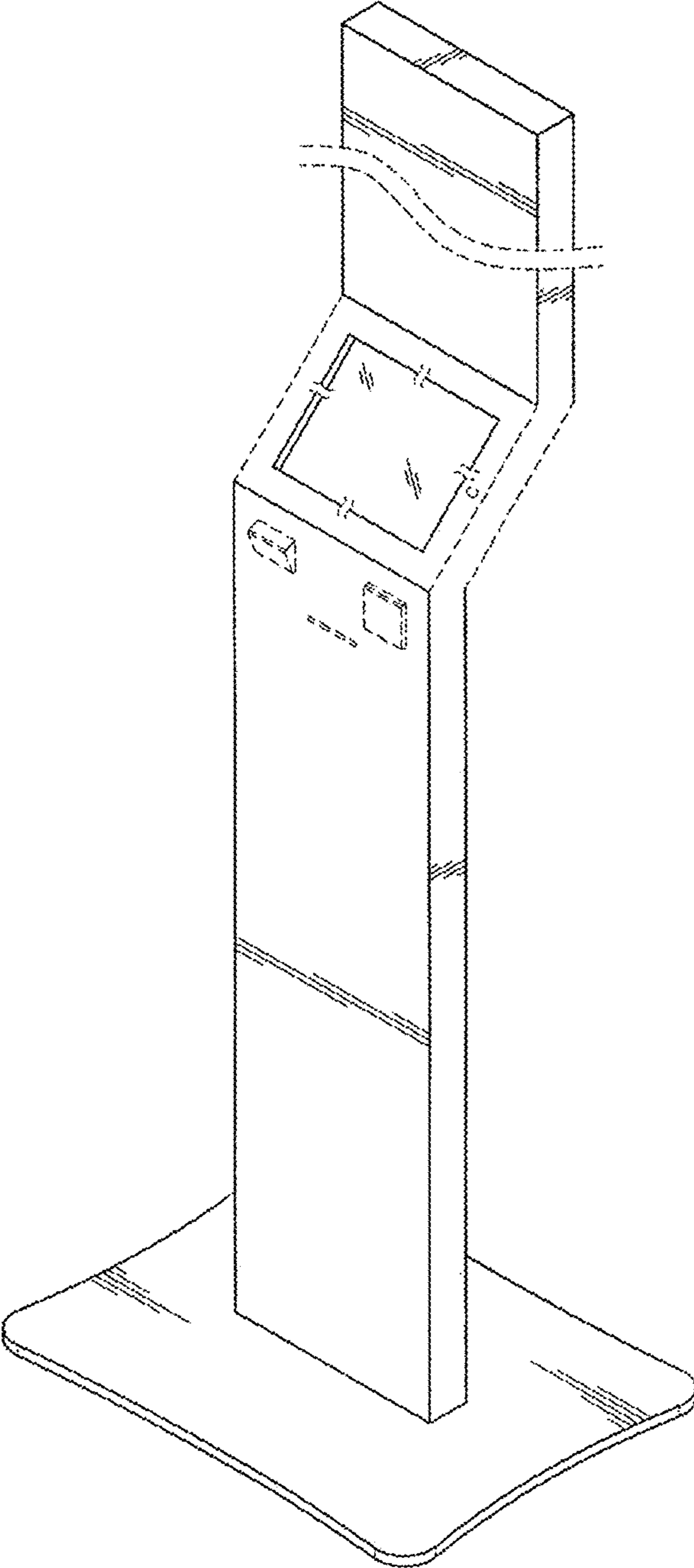


FIG. 1

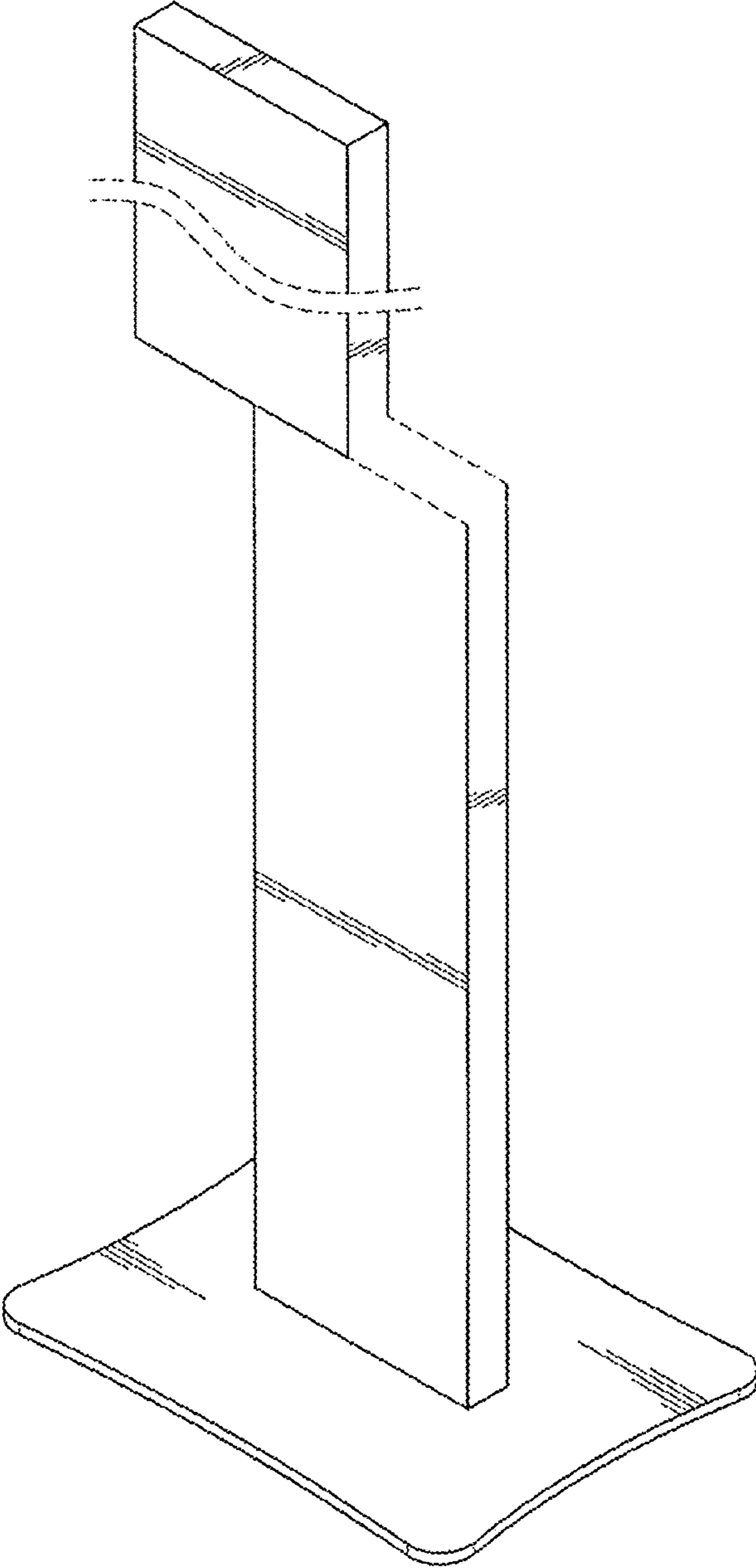


FIG. 2

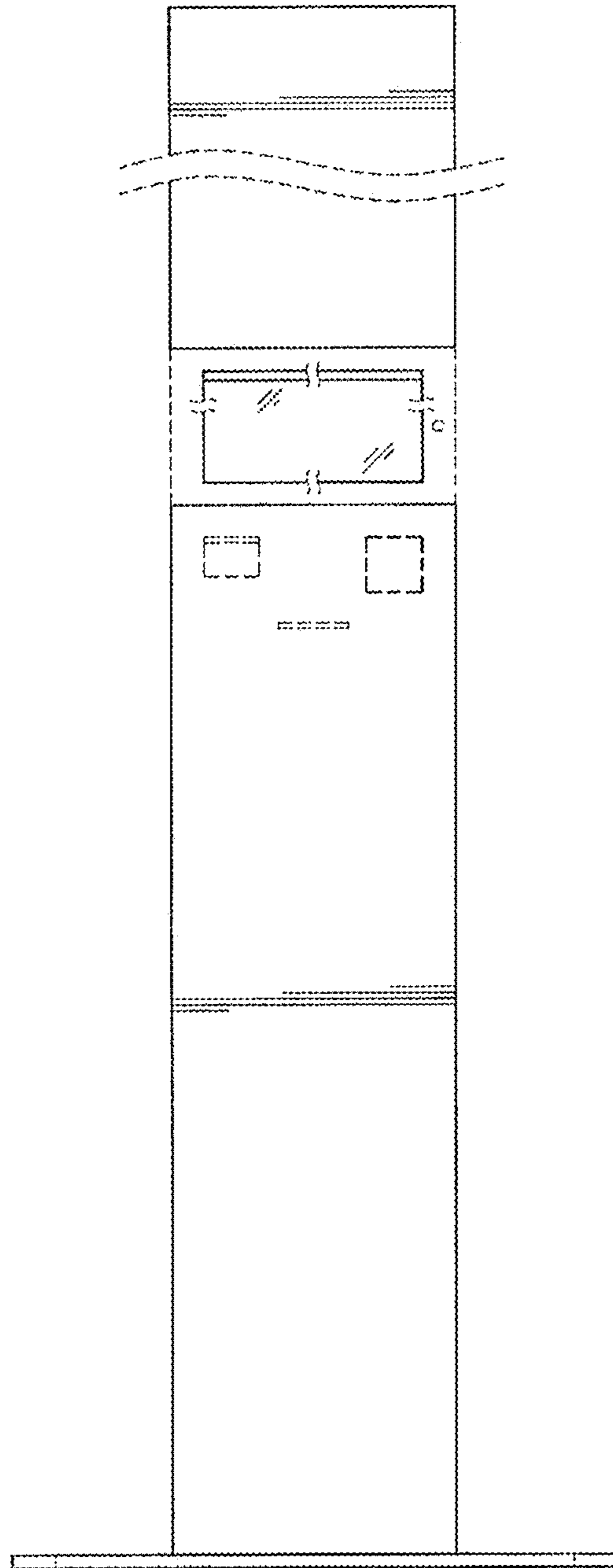


FIG. 3

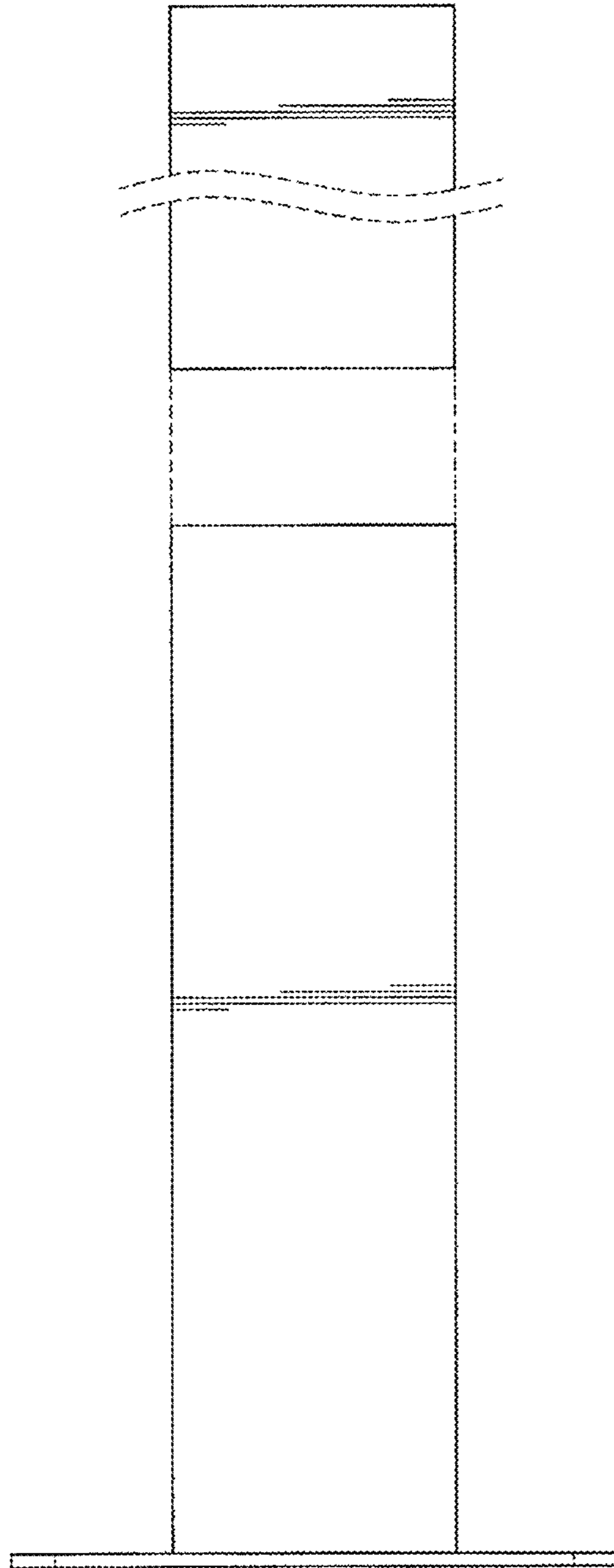


FIG. 4

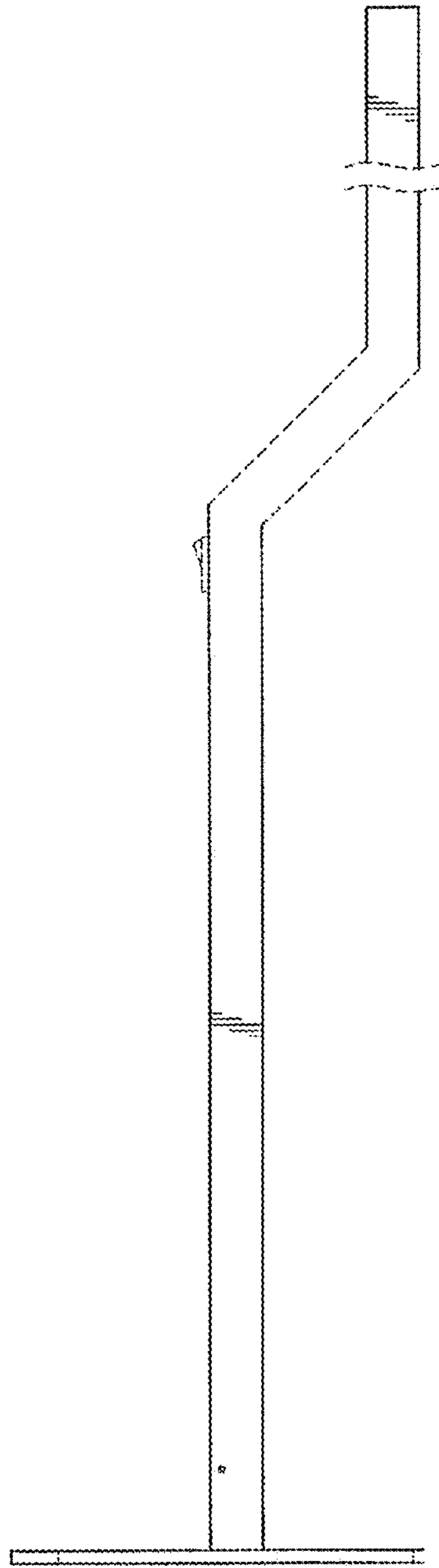


FIG. 5

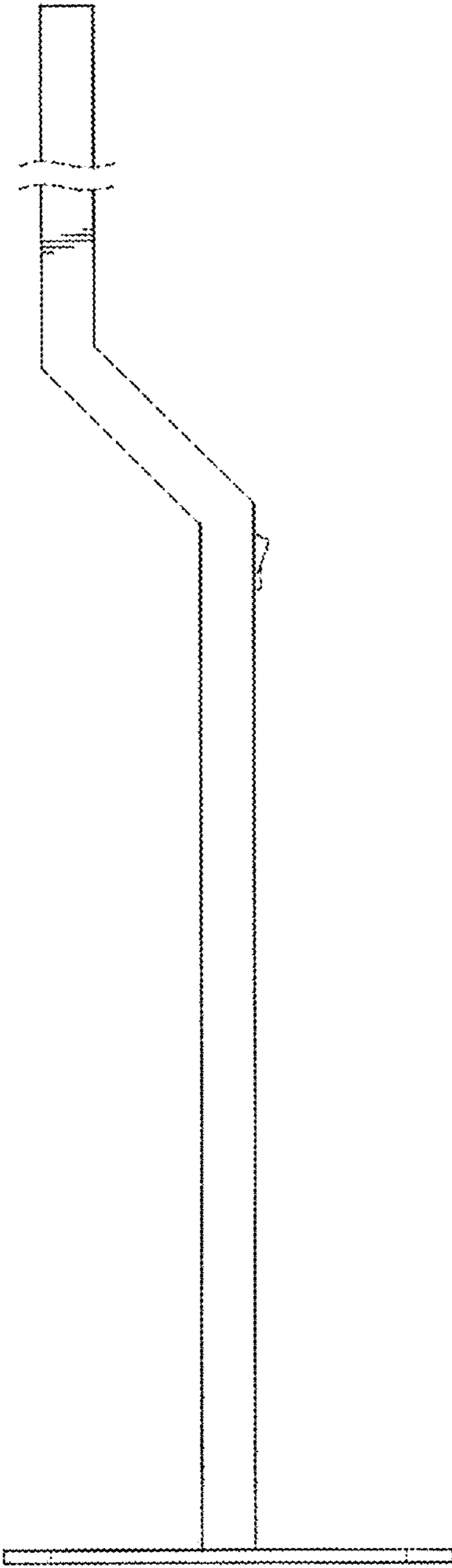


FIG. 6

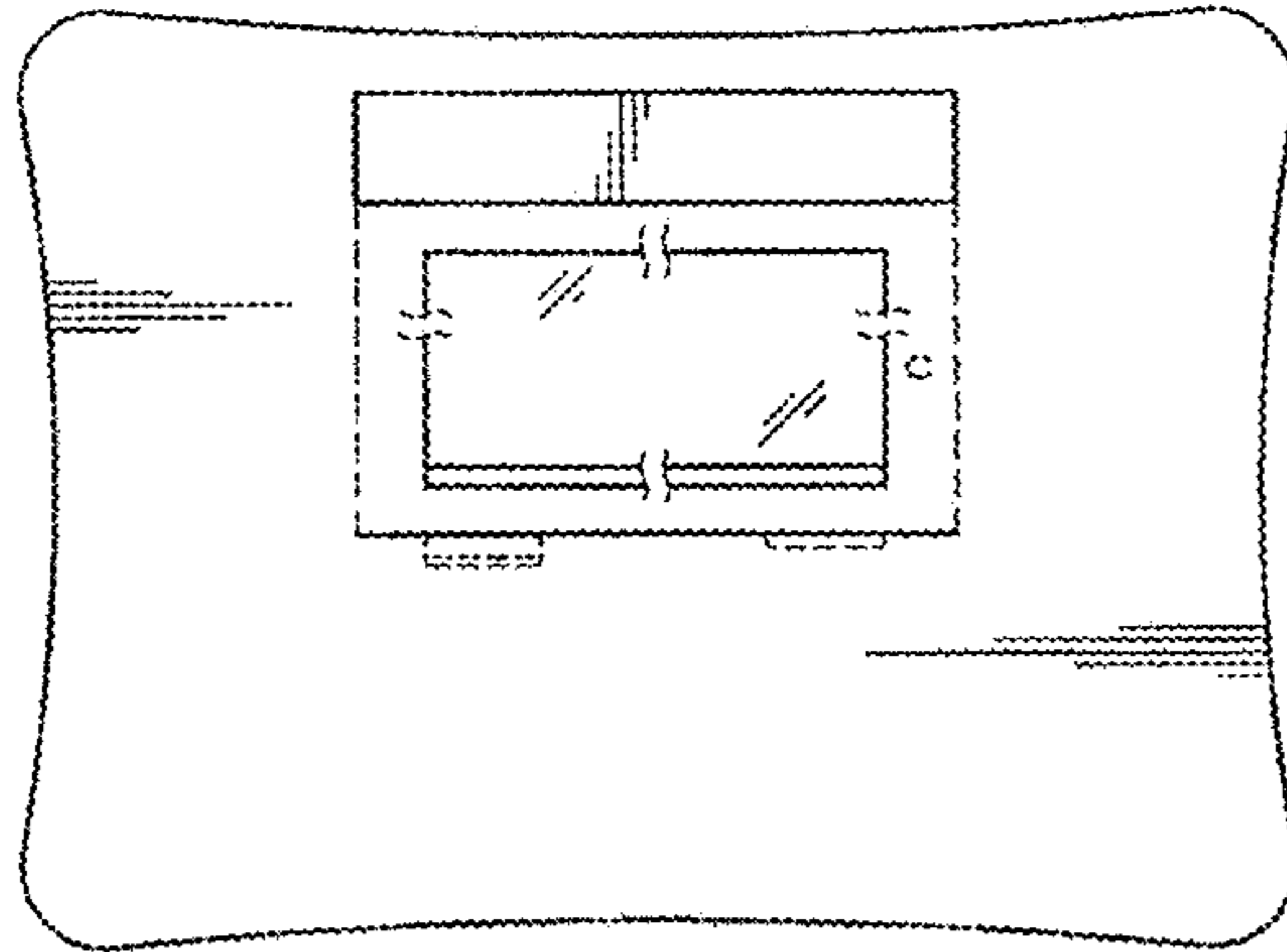


FIG. 7

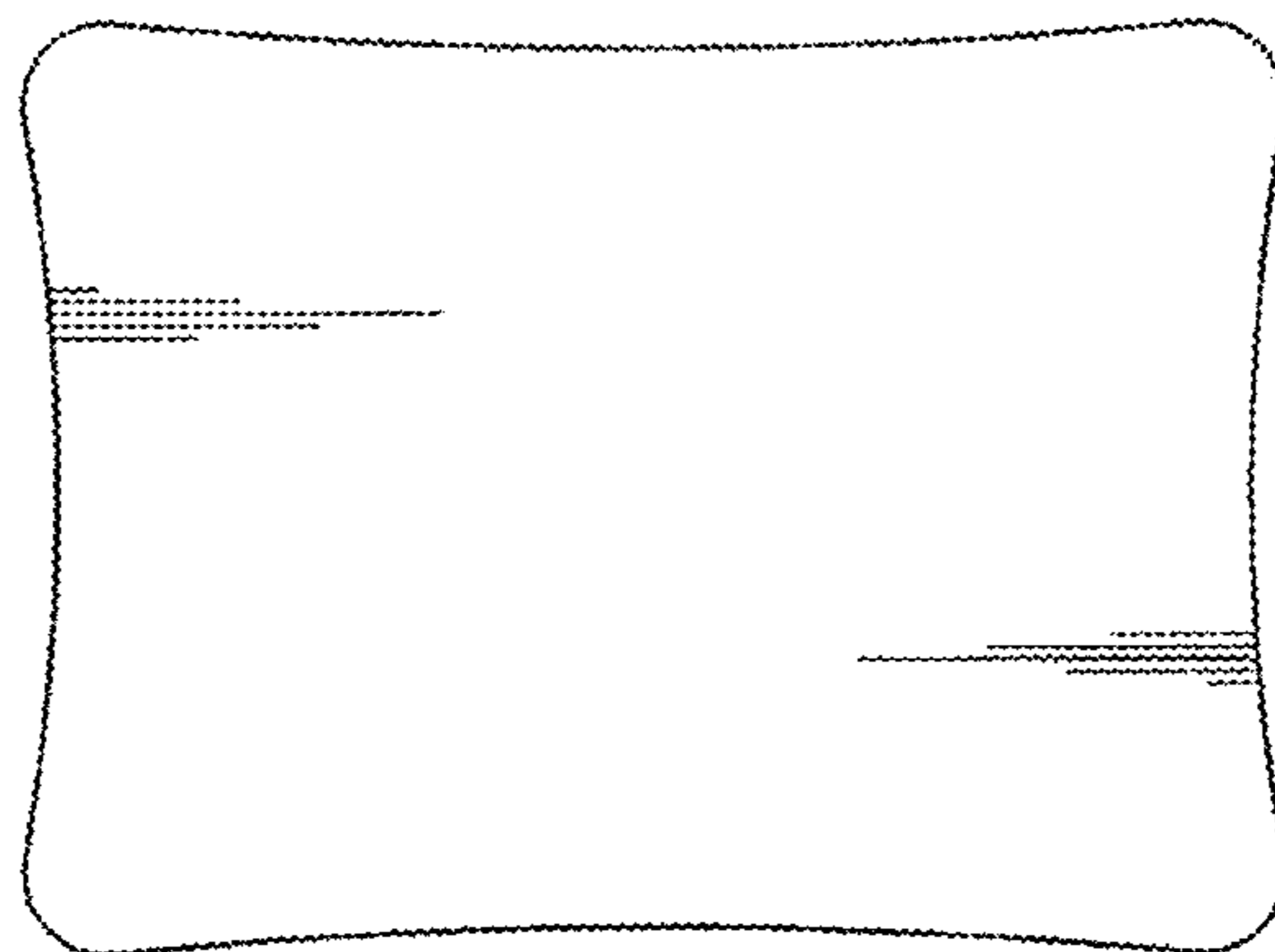


FIG. 8

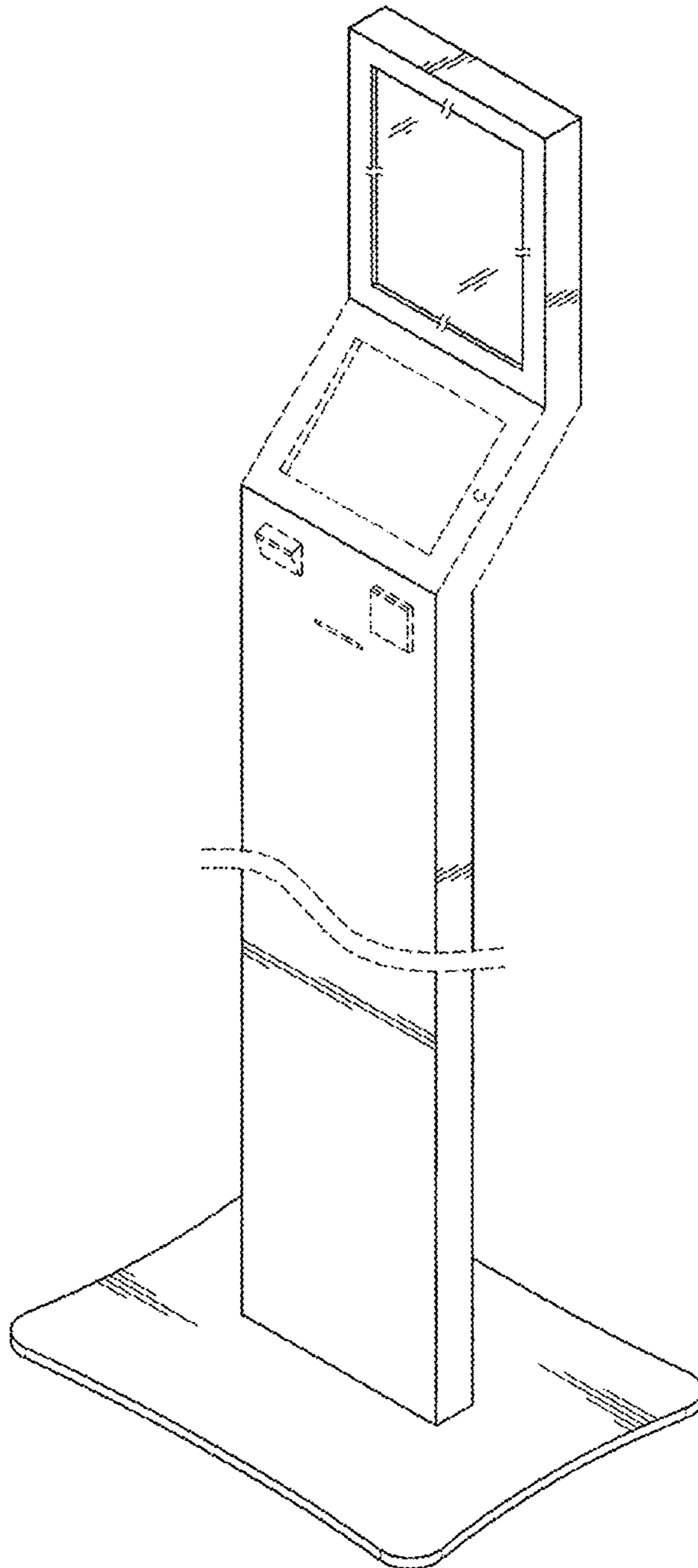


FIG. 9

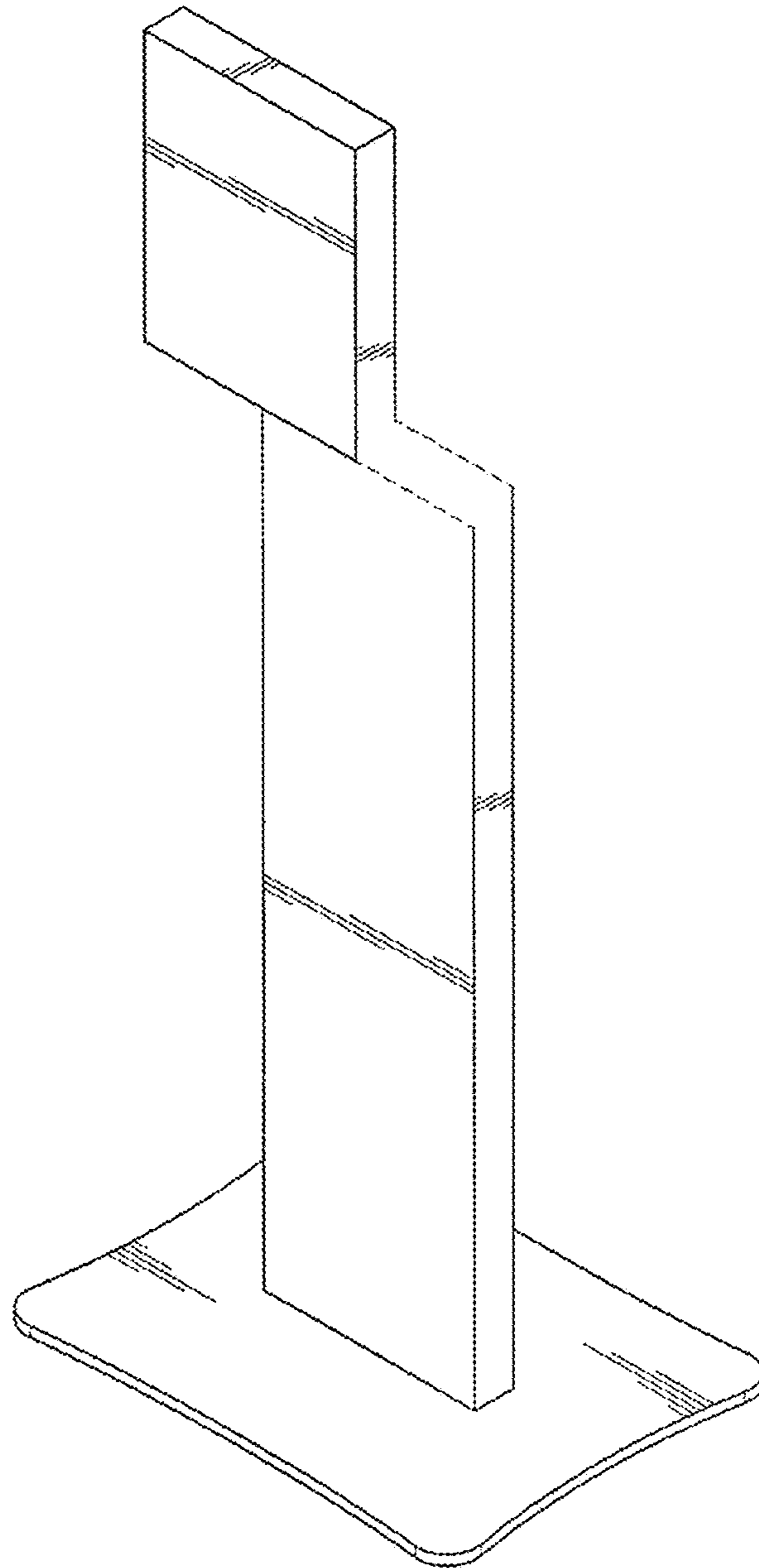


FIG. 10

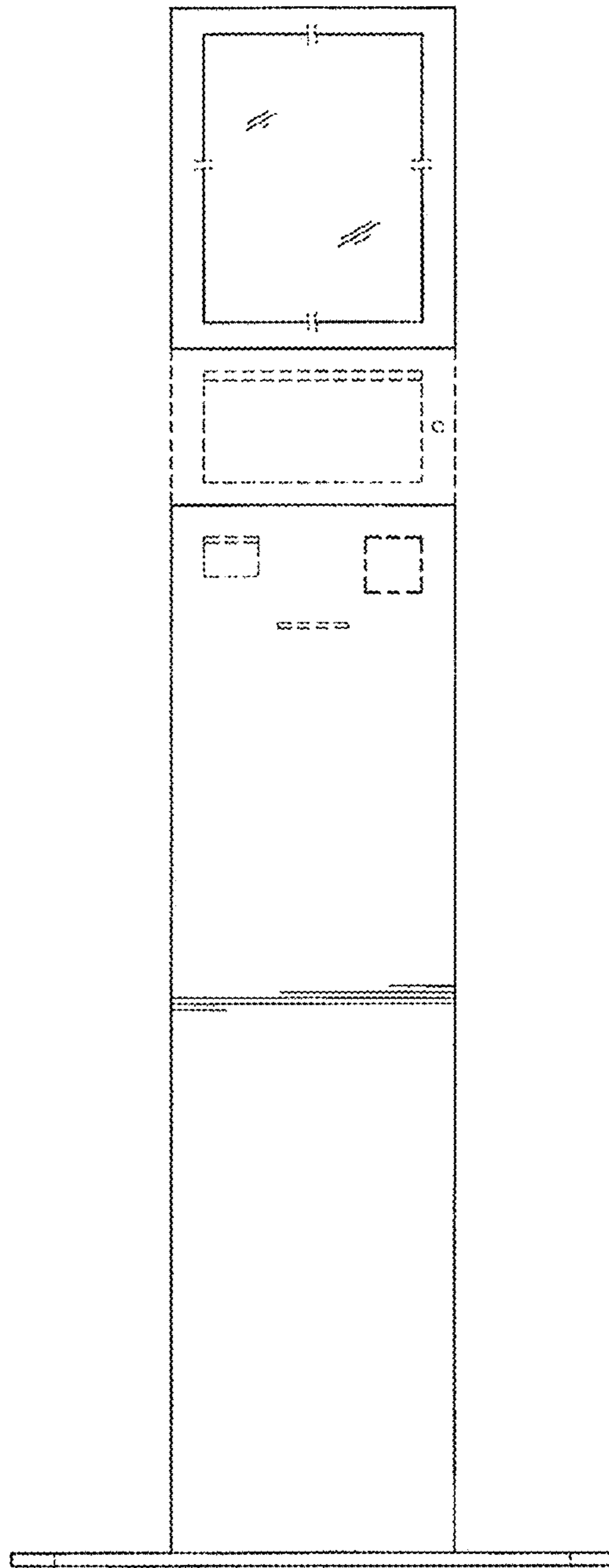


FIG. 11

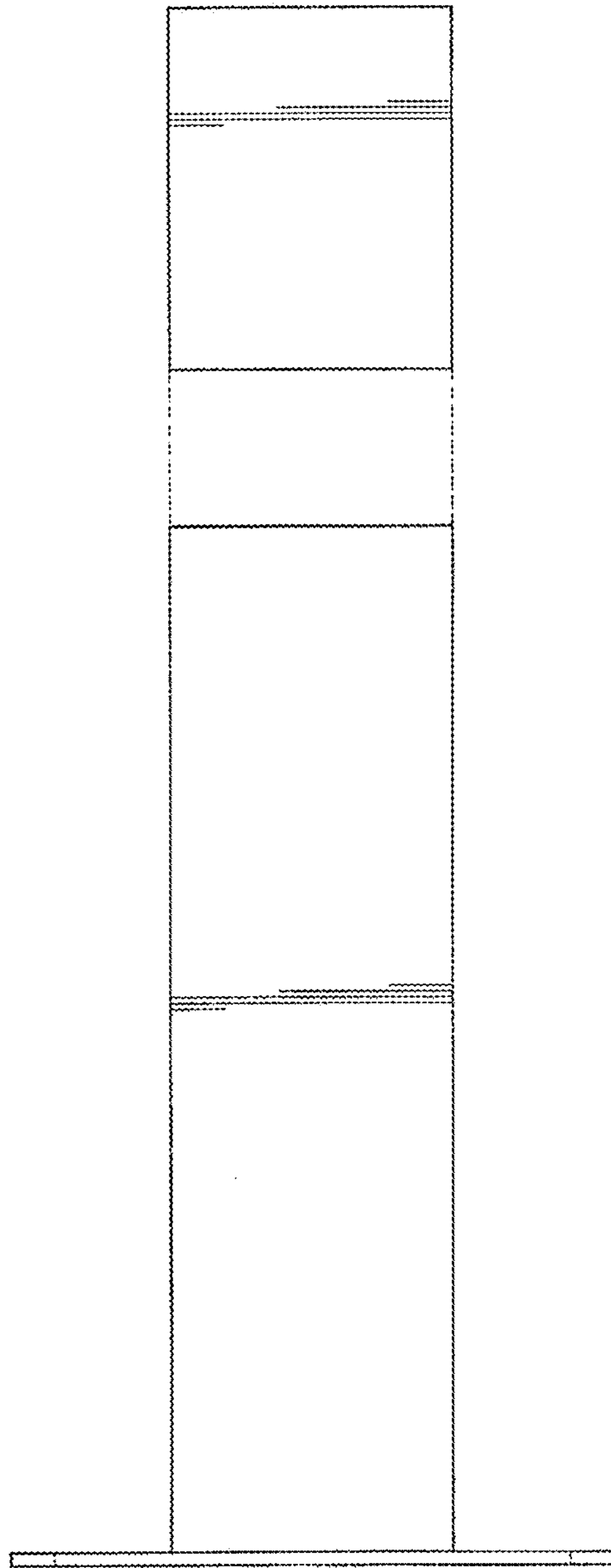


FIG. 12

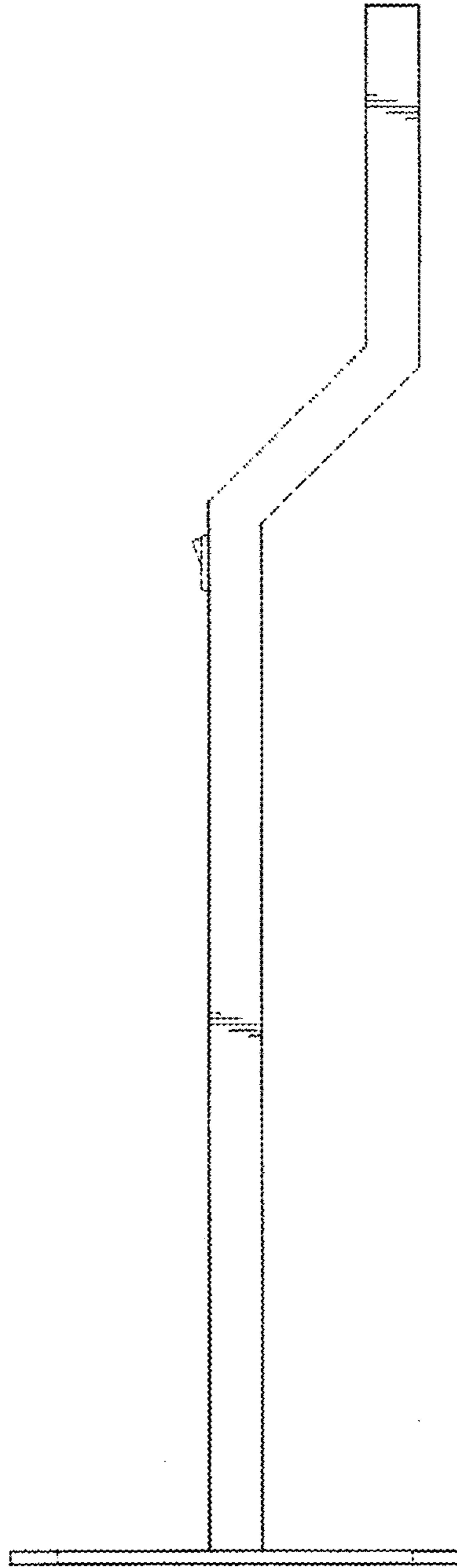


FIG. 13

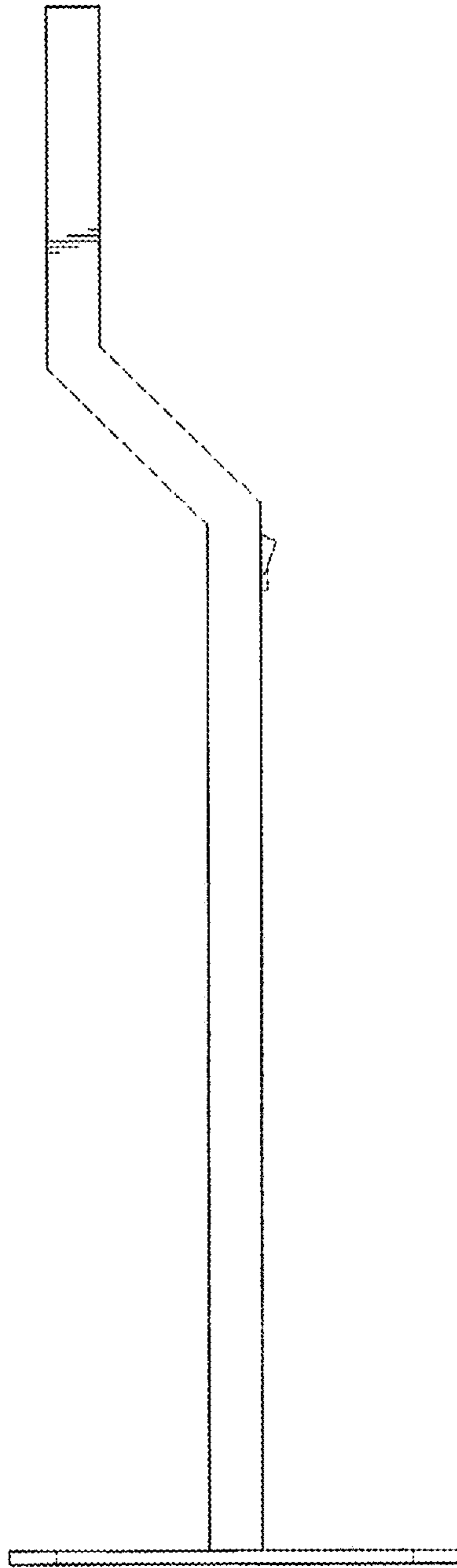


FIG. 14

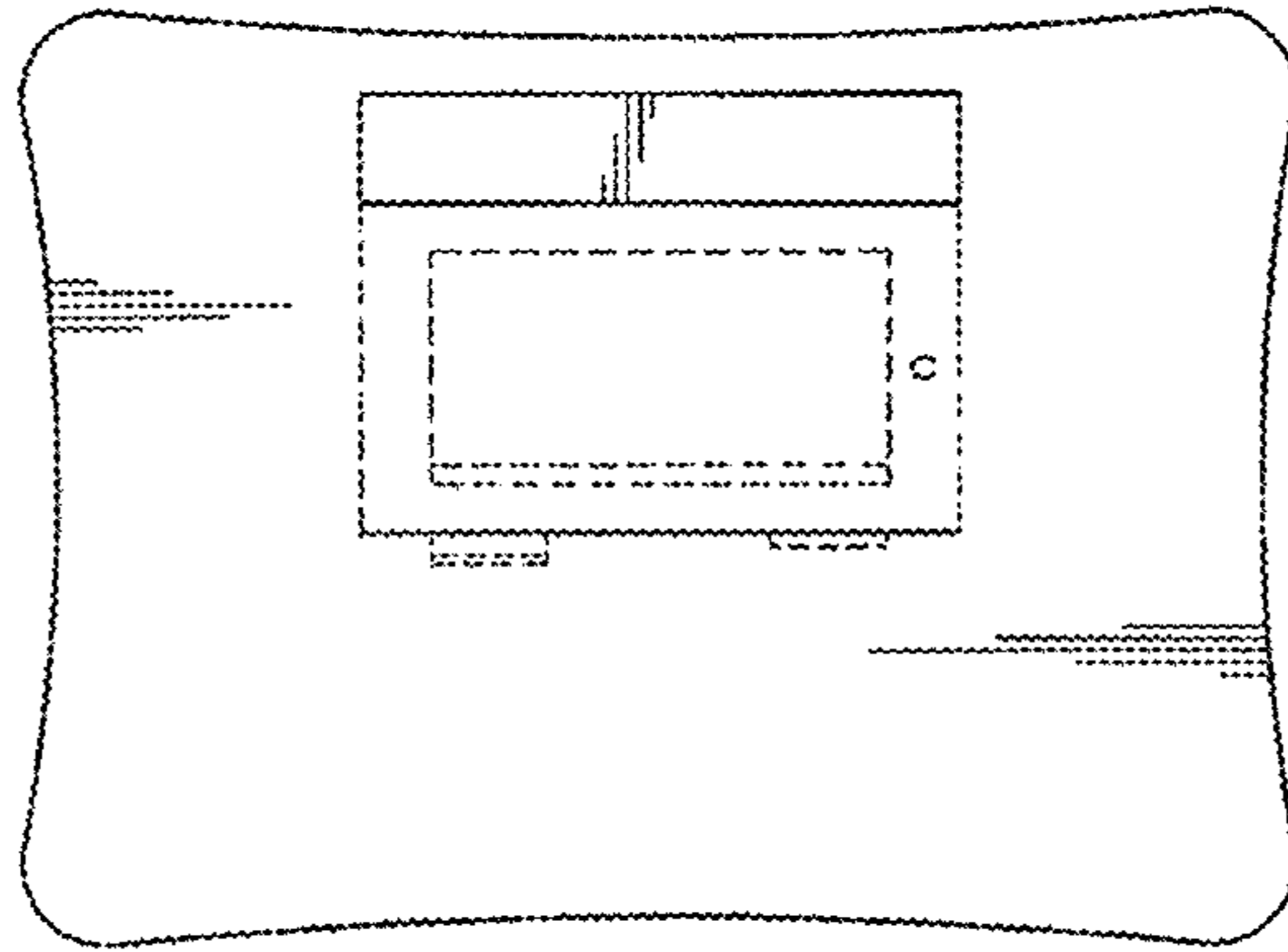


FIG. 15

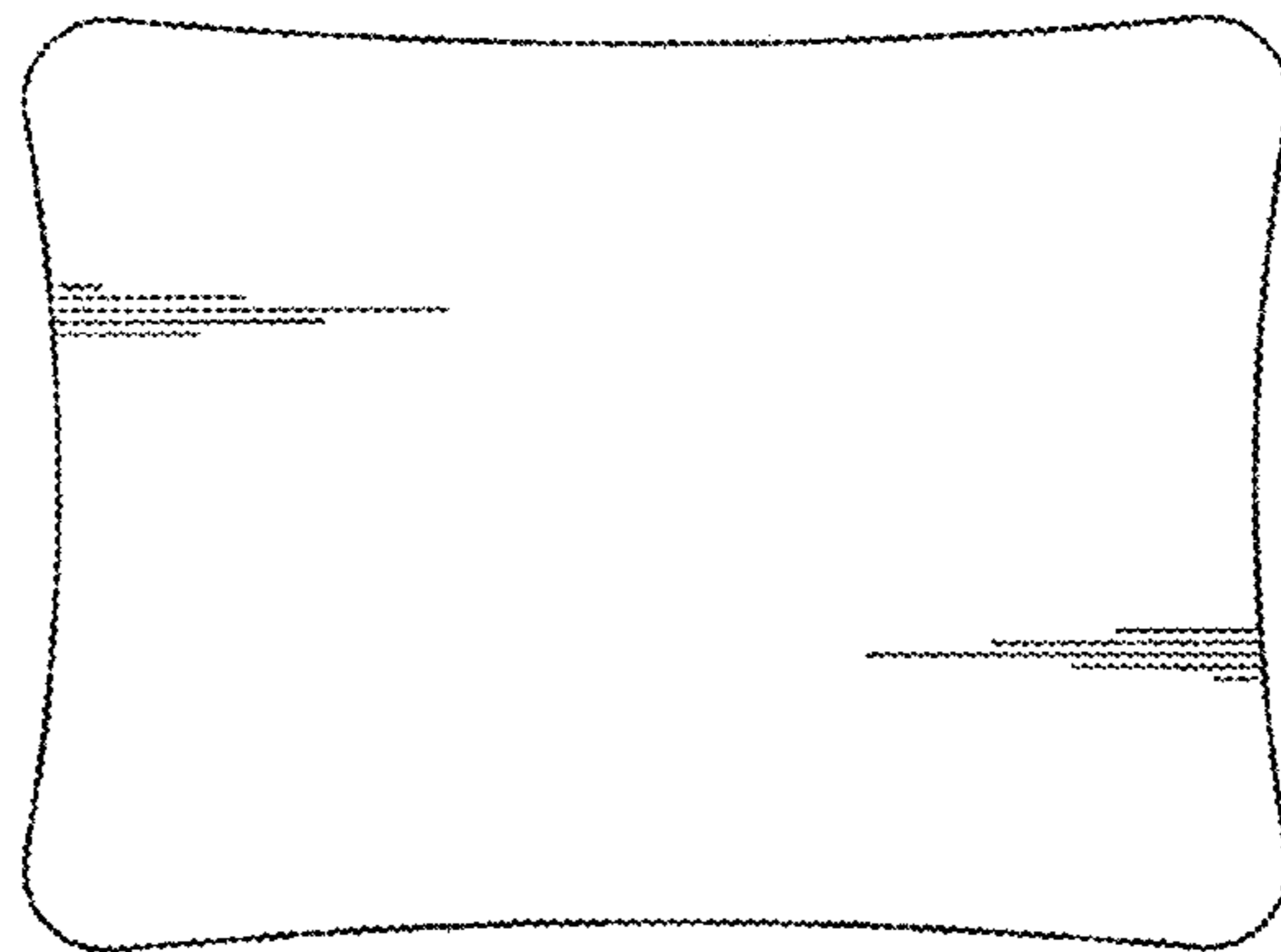


FIG. 16