



US00D918193S

(12) **United States Design Patent**
Fredette et al.

(10) **Patent No.:** **US D918,193 S**
(45) **Date of Patent:** **** May 4, 2021**

(54) **ELECTRONIC DEVICE**

(71) Applicant: **TOAST, INC.**, Boston, MA (US)

(72) Inventors: **Stephen Fredette**, Boston, MA (US);
Yeuyu Wang, Boston, MA (US);
James H. Barber, Glenview, IL (US);
Boon Ping Ng, Andover, MA (US)

(73) Assignee: **Toast, Inc.**, Boston, MA (US)

(**) Term: **15 Years**

(21) Appl. No.: **29/732,820**

(22) Filed: **Apr. 28, 2020**

(51) **LOC (13) Cl.** **14-02**

(52) **U.S. Cl.**
USPC **D14/307**

(58) **Field of Classification Search**
USPC D14/302-307, 900-902; D13/163;
D20/10; D21/332, 325, 369, 370;
(Continued)

(56) **References Cited**

U.S. PATENT DOCUMENTS

D724,040 S * 3/2015 Chan D14/126
D743,394 S * 11/2015 Chang D14/375
(Continued)

Primary Examiner — Austin Murphy

(74) *Attorney, Agent, or Firm* — Richard K. Huffman;
Huffman Patent Group, LLC

(57) **CLAIM**

The ornamental design for an electronic device, as shown and described.

DESCRIPTION

FIG. 1 is a perspective view of an electronic device showing our new design in a first configuration;

FIG. 2 is a front elevational view thereof;
FIG. 3 is a rear elevational view thereof;
FIG. 4 is a right side elevational view thereof;
FIG. 5 is a left side elevational view thereof;
FIG. 6 is a top plan view thereof;
FIG. 7 is a bottom plan view thereof;
FIG. 8 is another perspective view thereof;
FIG. 9 is a perspective view of the electronic device showing our new design in a second configuration;
FIG. 10 is a front elevational view thereof;
FIG. 11 is a rear elevational view thereof;
FIG. 12 is a right side elevational view thereof;
FIG. 13 is a left side elevational view thereof;
FIG. 14 is a top plan view thereof;
FIG. 15 is a bottom plan view thereof; and,
FIG. 16 is another perspective view thereof.

The broken lines in each of FIGS. 1-5, 7-9, and 11-16 show portions of the electronic device that form no part of the claimed design.

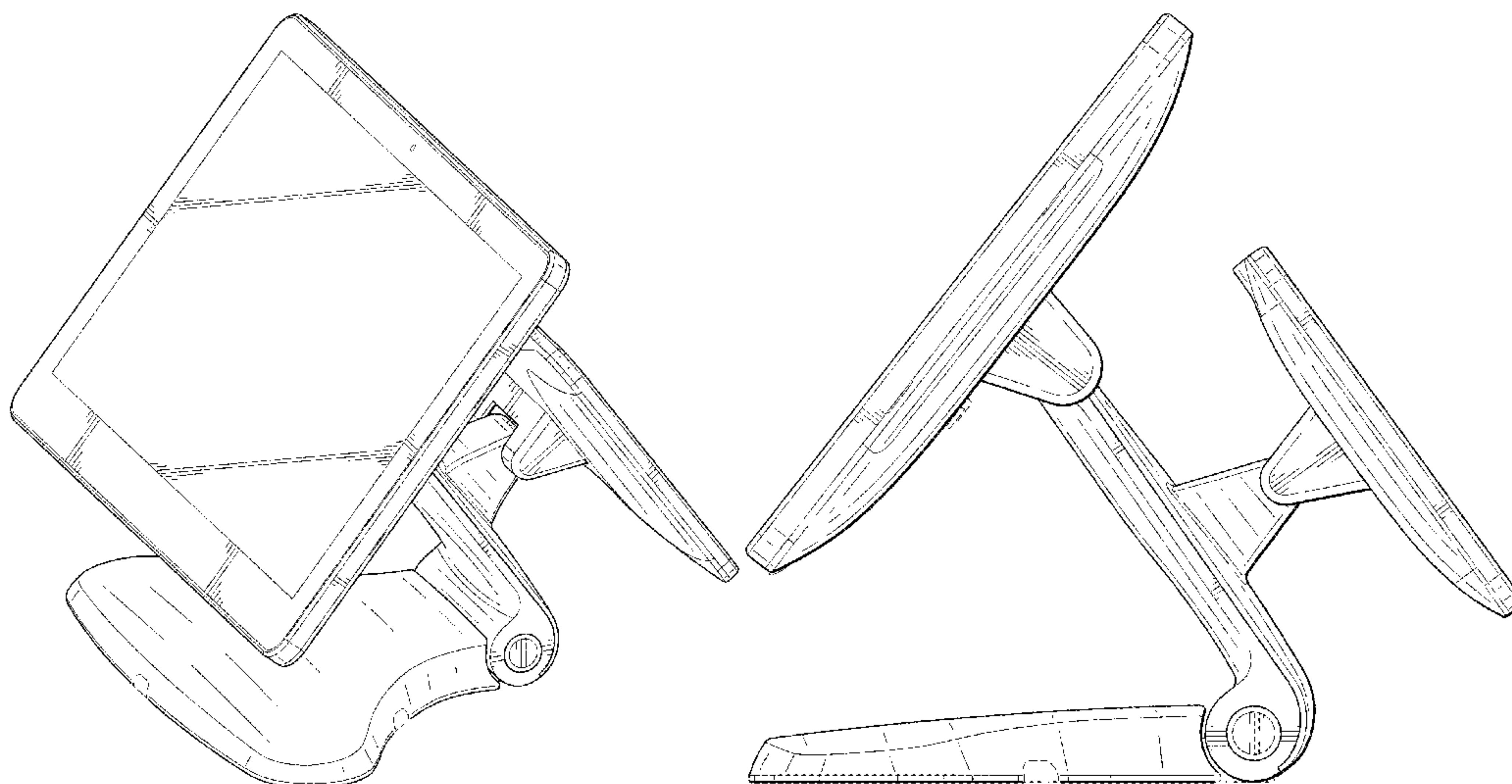
The surface shadings and contour lines shown in FIGS. 1-16 represent the three-dimensional character and contour of the electronic device, and are not intended to limit the electronic device to any particular materials, colors, or surface decorations. The different surface shadings are used to indicate contrasting materials.

The electronic device includes a base portion, an arm portion pivotably coupled to the base portion, a small display portion pivotably coupled to the arm portion, and a large display portion pivotably coupled to the arm portion.

In the first configuration of the electronic device illustrated in FIGS. 1-8, the arm portion is pivoted to an upper position relative to the base portion, the large display portion is pivoted to a first front facing position relative to the arm portion, and the small display portion is pivoted to a first rear facing position relative to the arm portion.

In the second configuration of the electronic device illustrated in FIGS. 9-16, the arm portion is pivoted to a lower position relative to the base portion, the large display portion is pivoted to a second front facing position relative to the arm portion, and the small display portion is pivoted to a second rear facing position relative to the arm portion.

1 Claim, 16 Drawing Sheets



(58) **Field of Classification Search**

USPC D99/28; D6/397, 466; 194/206;
361/679.01, 679.02, 679.04, 679.21,
361/679.57, 725

CPC G06Q 20/18; G06Q 20/10; G06Q 20/123;
G06Q 20/20; G06Q 30/02; G06Q 30/06;
A47F 9/047

See application file for complete search history.

(56) **References Cited**

U.S. PATENT DOCUMENTS

D763,255	S	*	8/2016	Lee	D14/371
D814,559	S	*	4/2018	Oross	D18/4.4
D818,524	S	*	5/2018	Dong	D18/4.4
D829,704	S	*	10/2018	Oross	D14/307
D842,296	S	*	3/2019	Oross	D14/307
D857,689	S	*	8/2019	Birgeoglu	D14/307
D864,193	S	*	10/2019	Oosawa	D14/307
D882,680	S	*	4/2020	Eun	D18/4.5
D892,110	S	*	8/2020	Birgeoglu	D14/307
D900,089	S	*	10/2020	Harris	D14/307
D902,918	S	*	11/2020	Friedli	D14/307

* cited by examiner

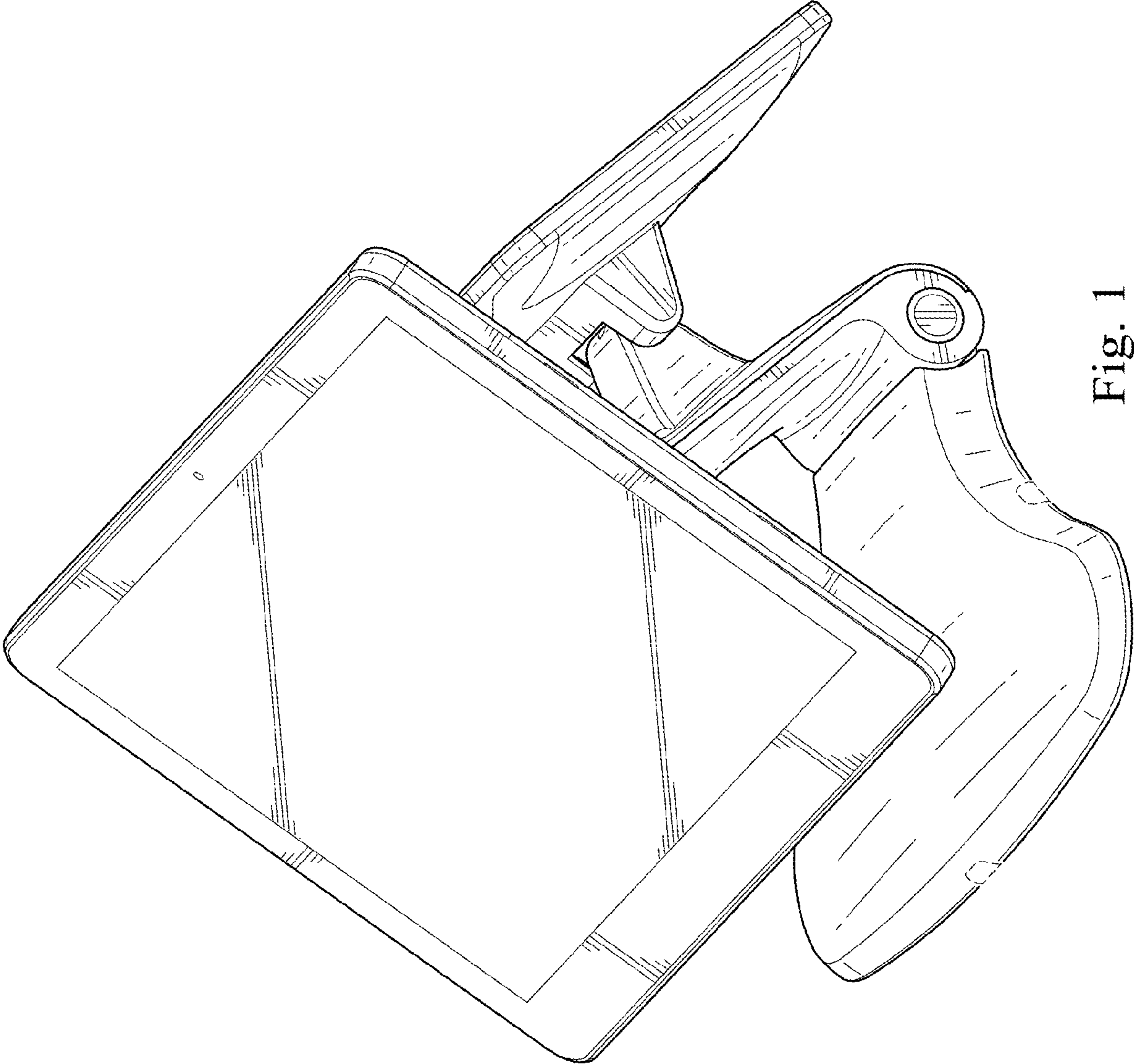


Fig. 1

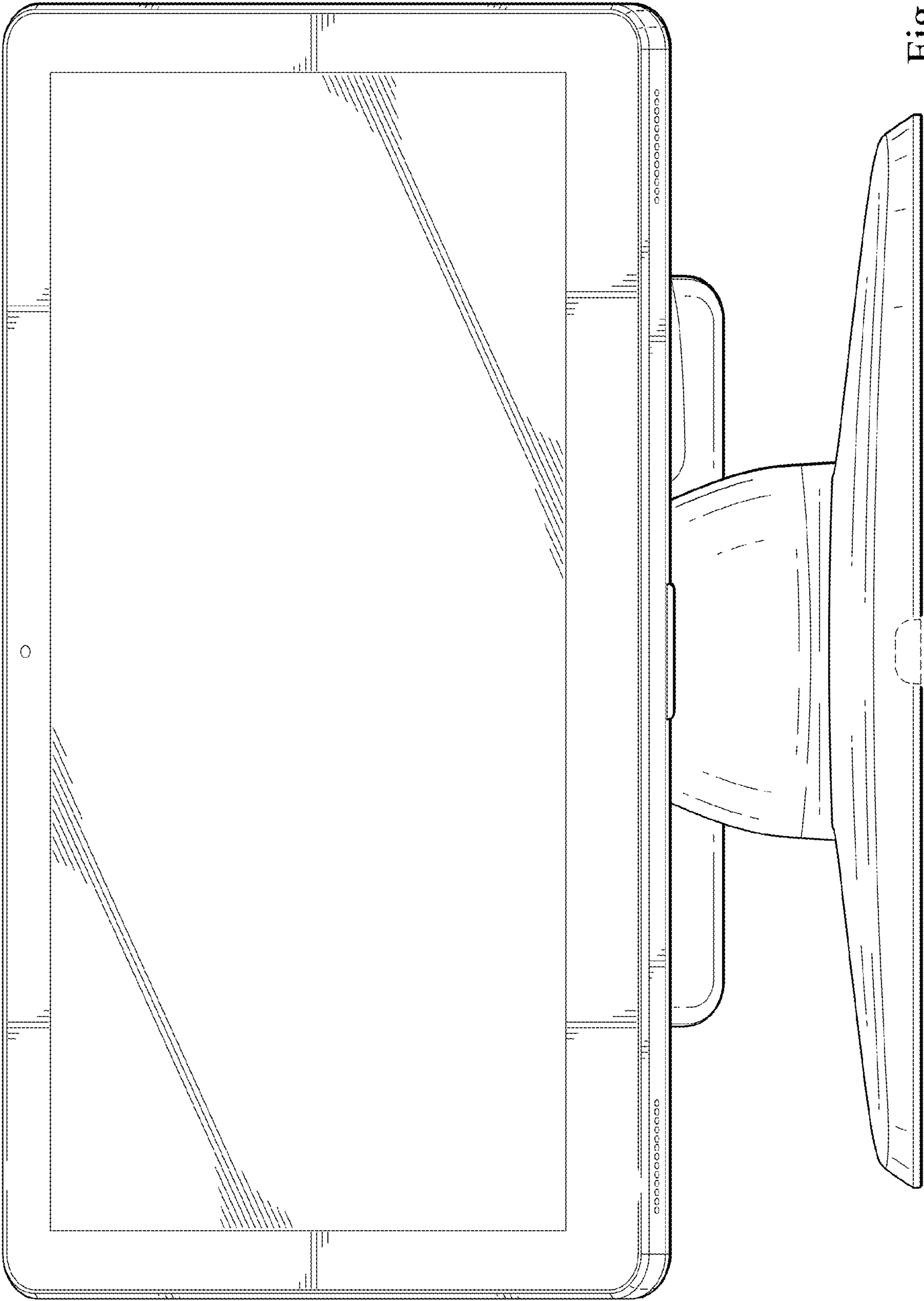


Fig. 2

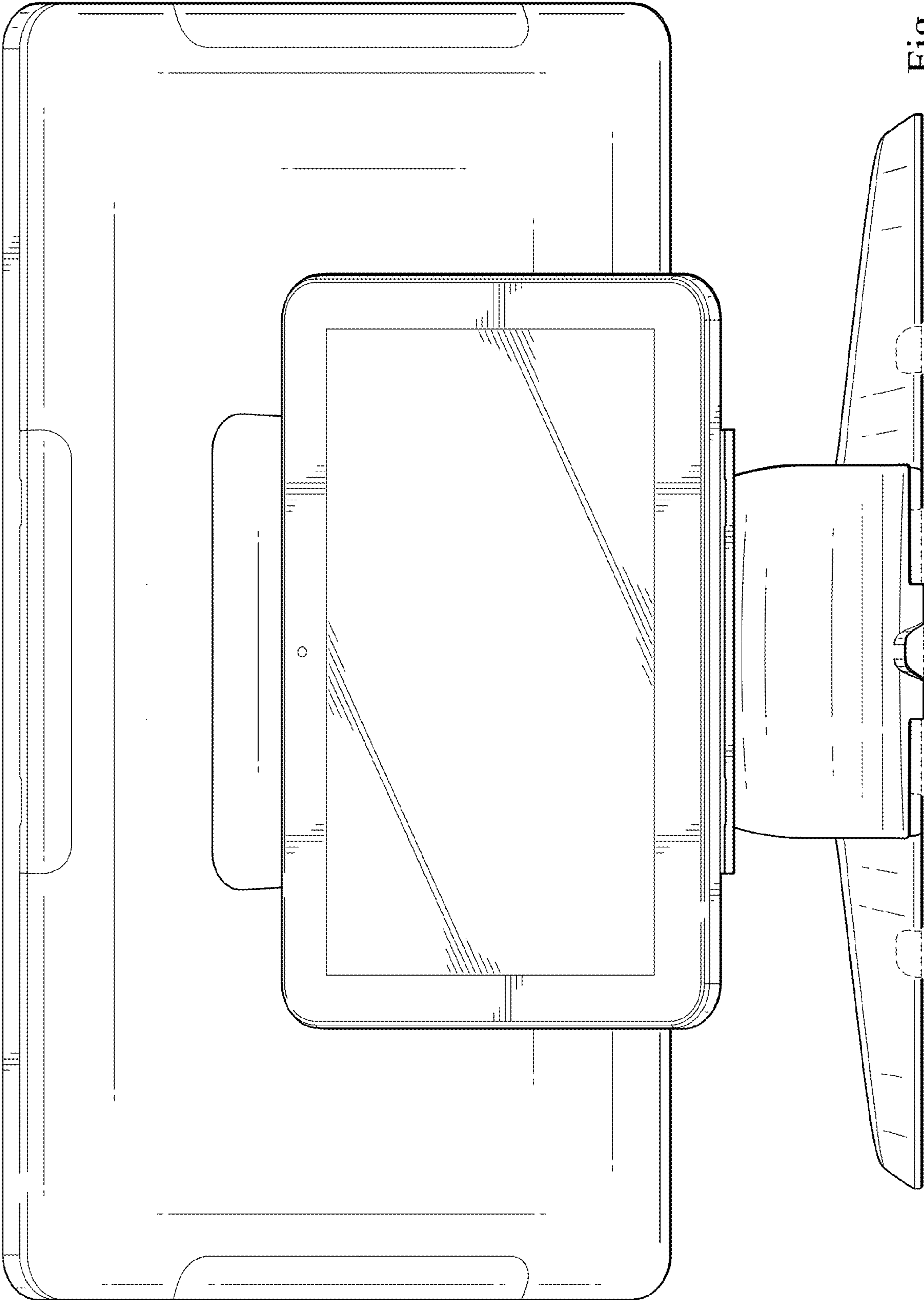


Fig. 3

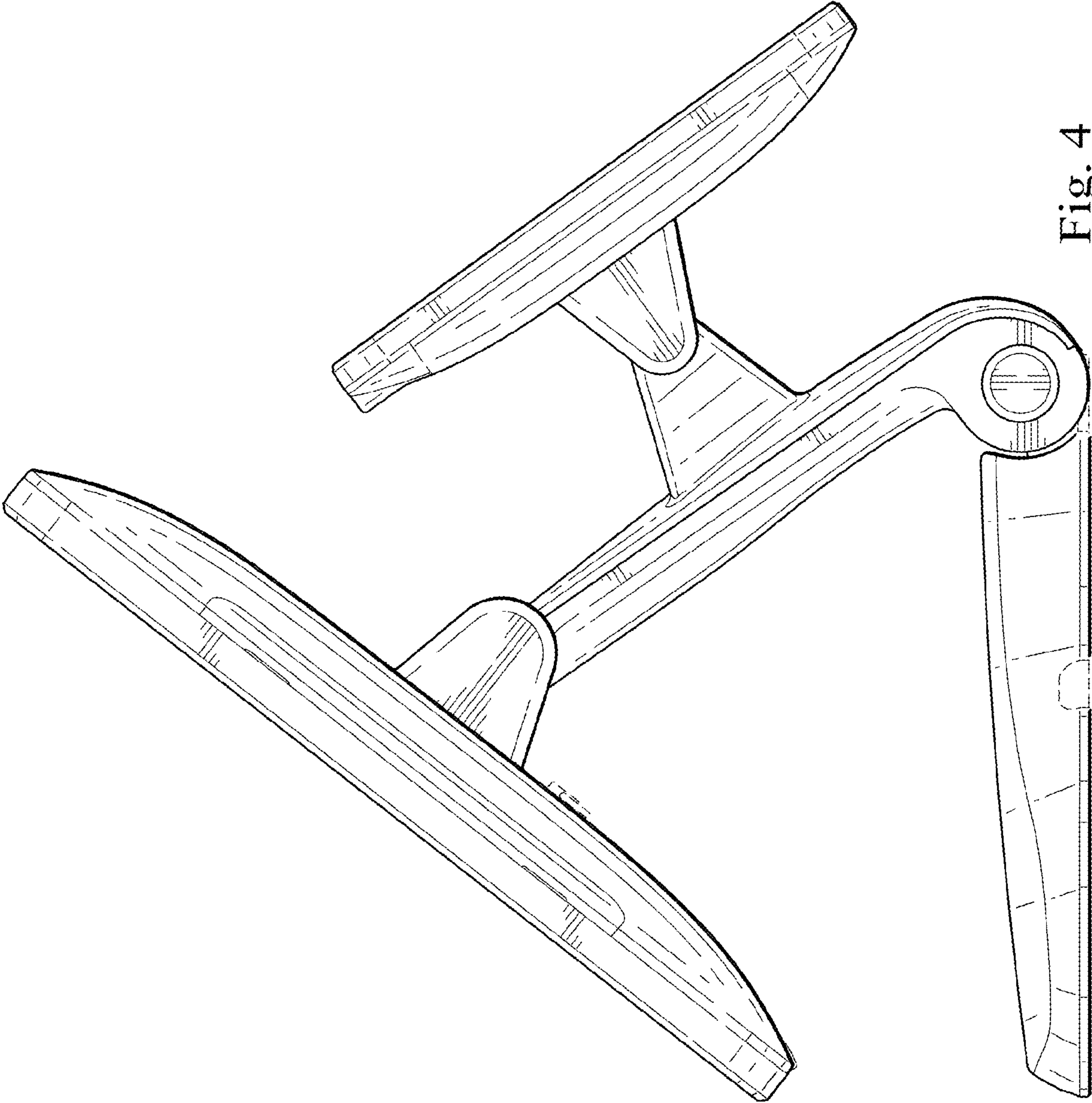


Fig. 4

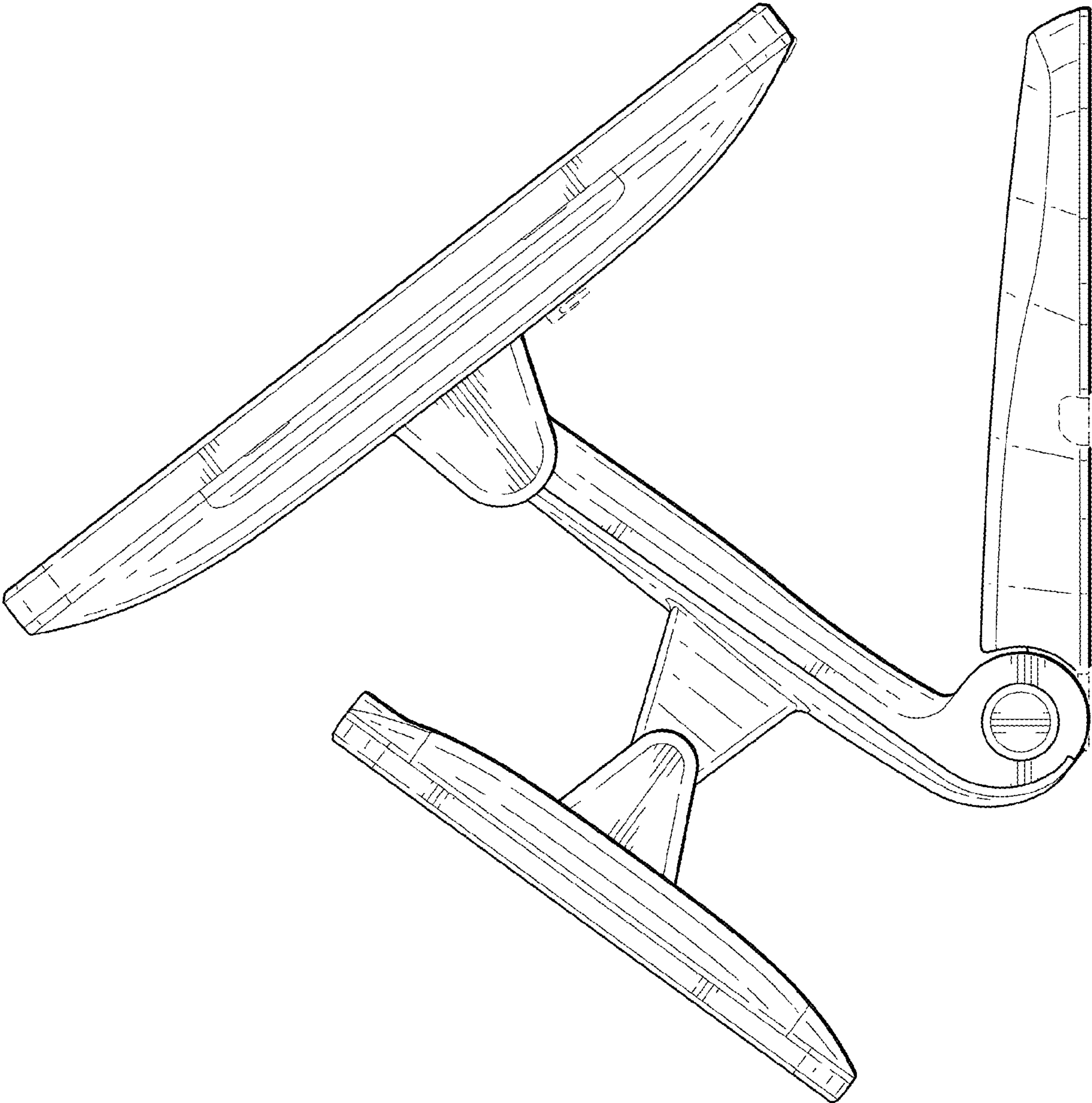
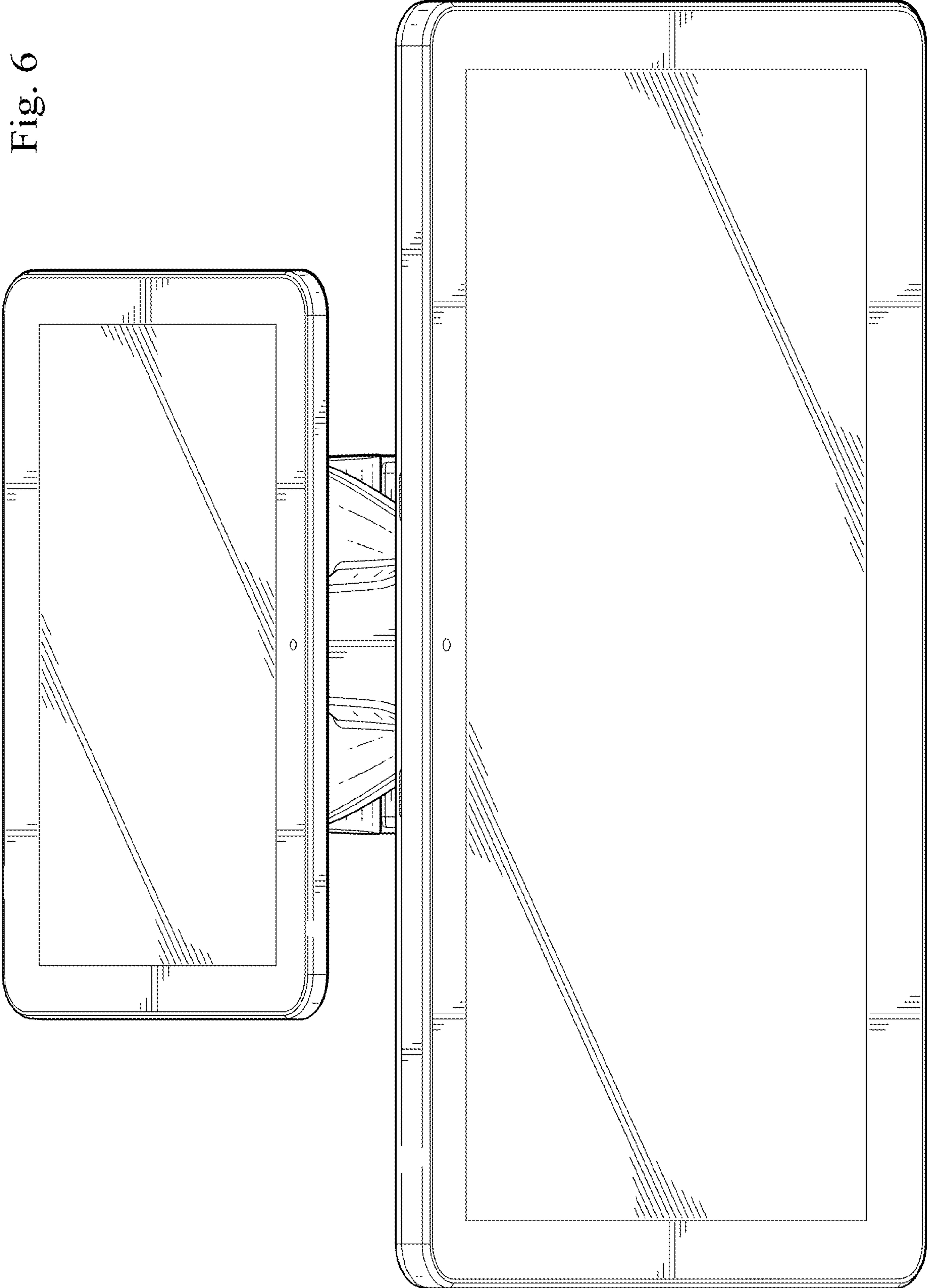


Fig. 5

Fig. 6



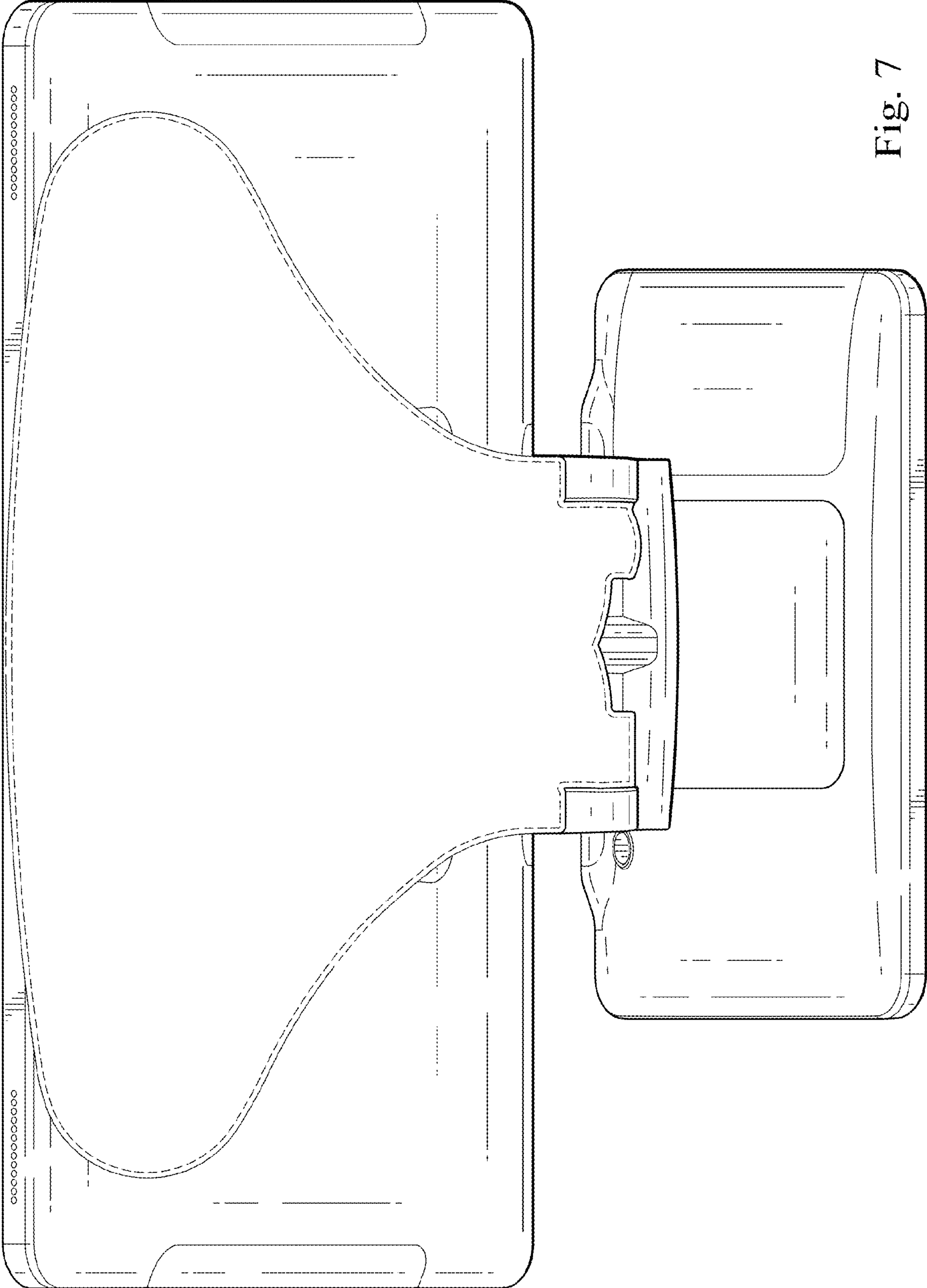


Fig. 7

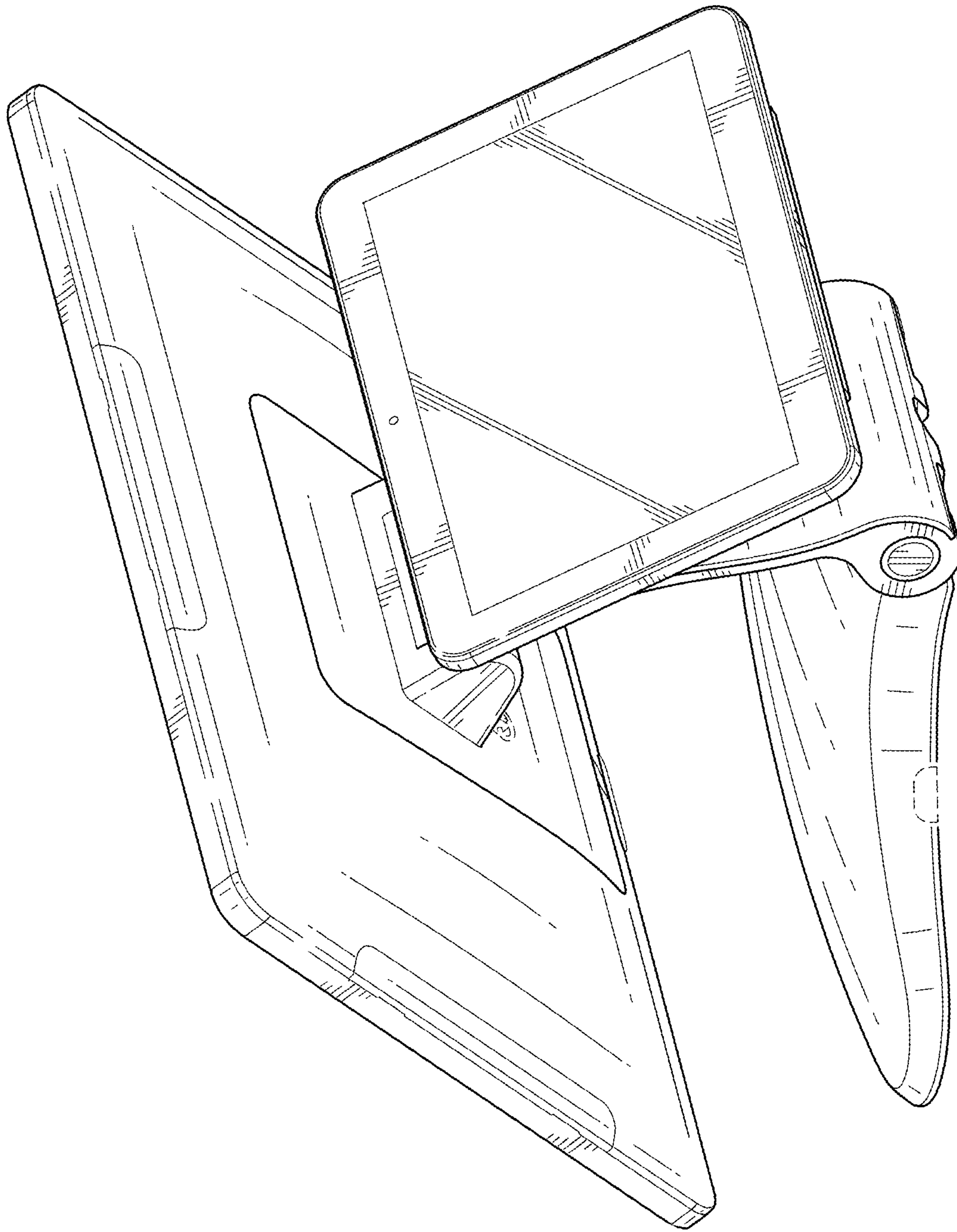


Fig. 8

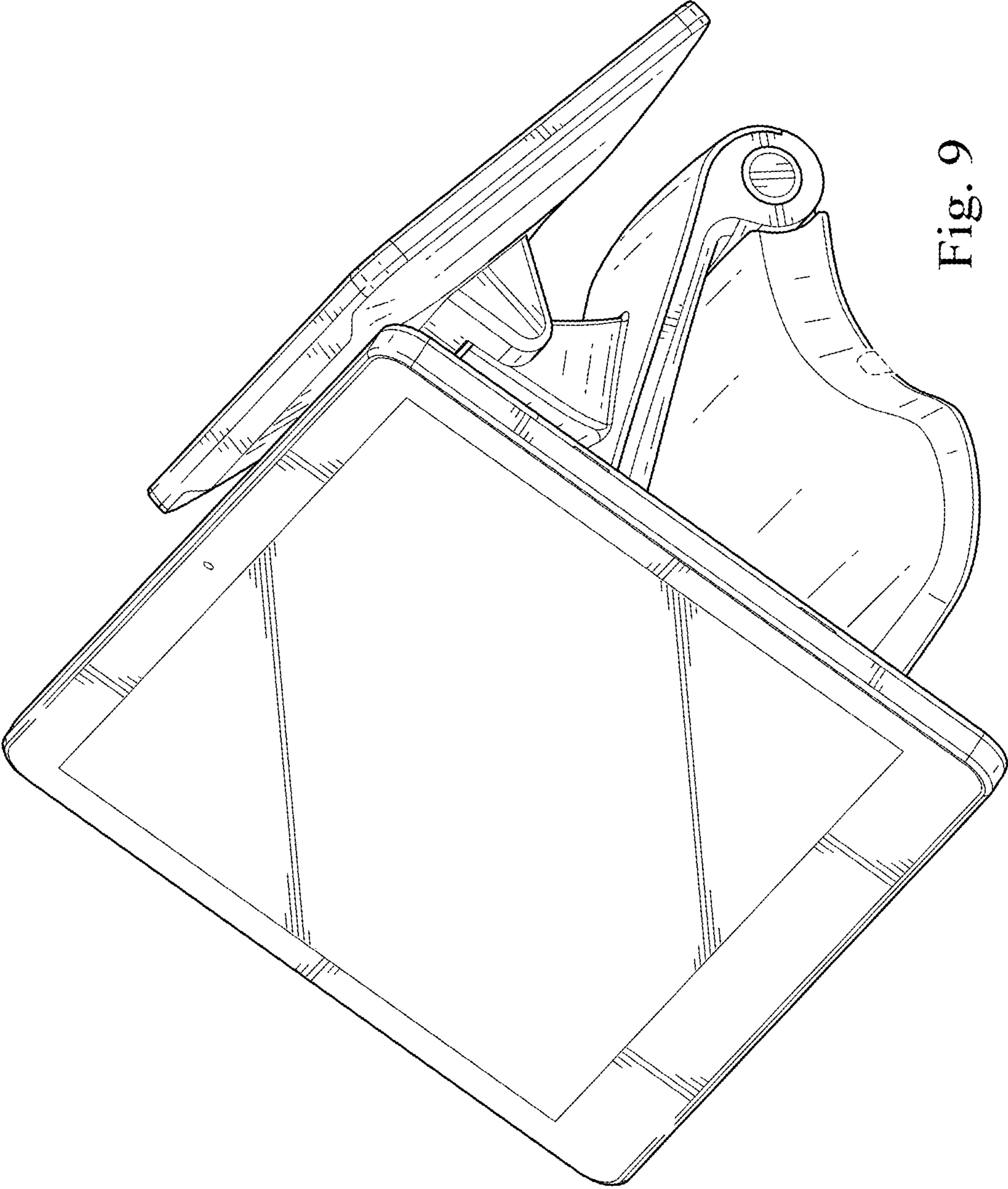


Fig. 9

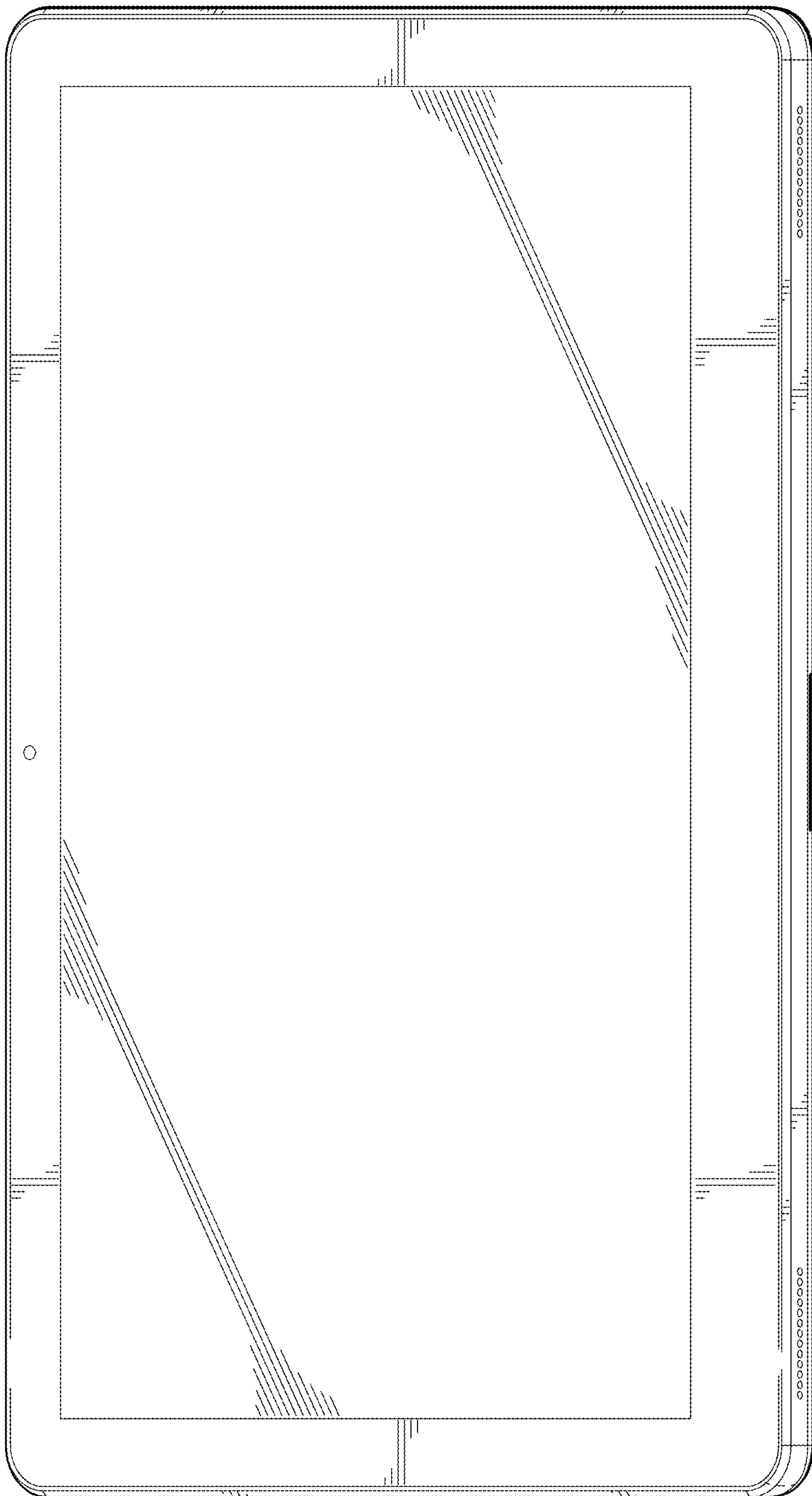


Fig. 10

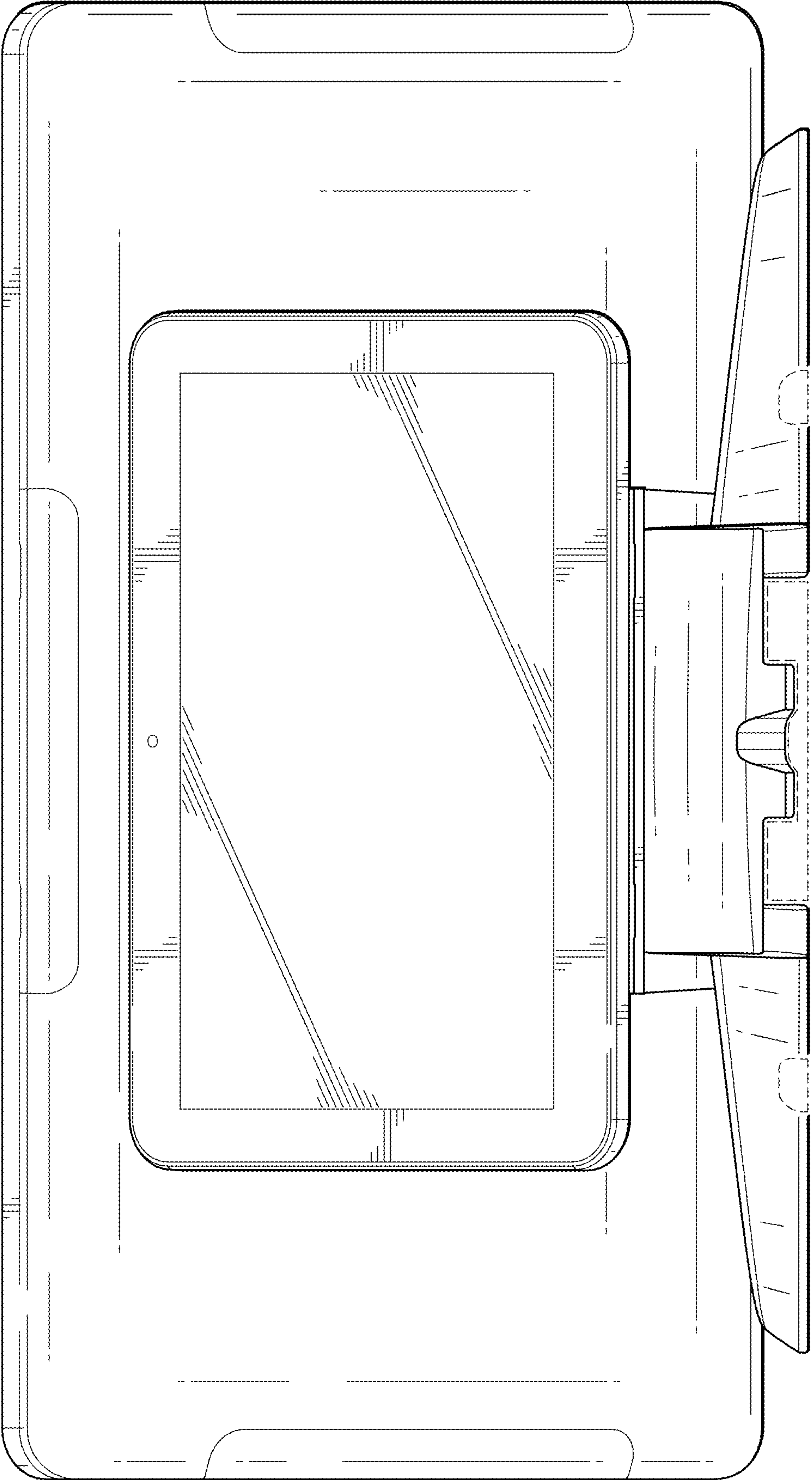


Fig. 11

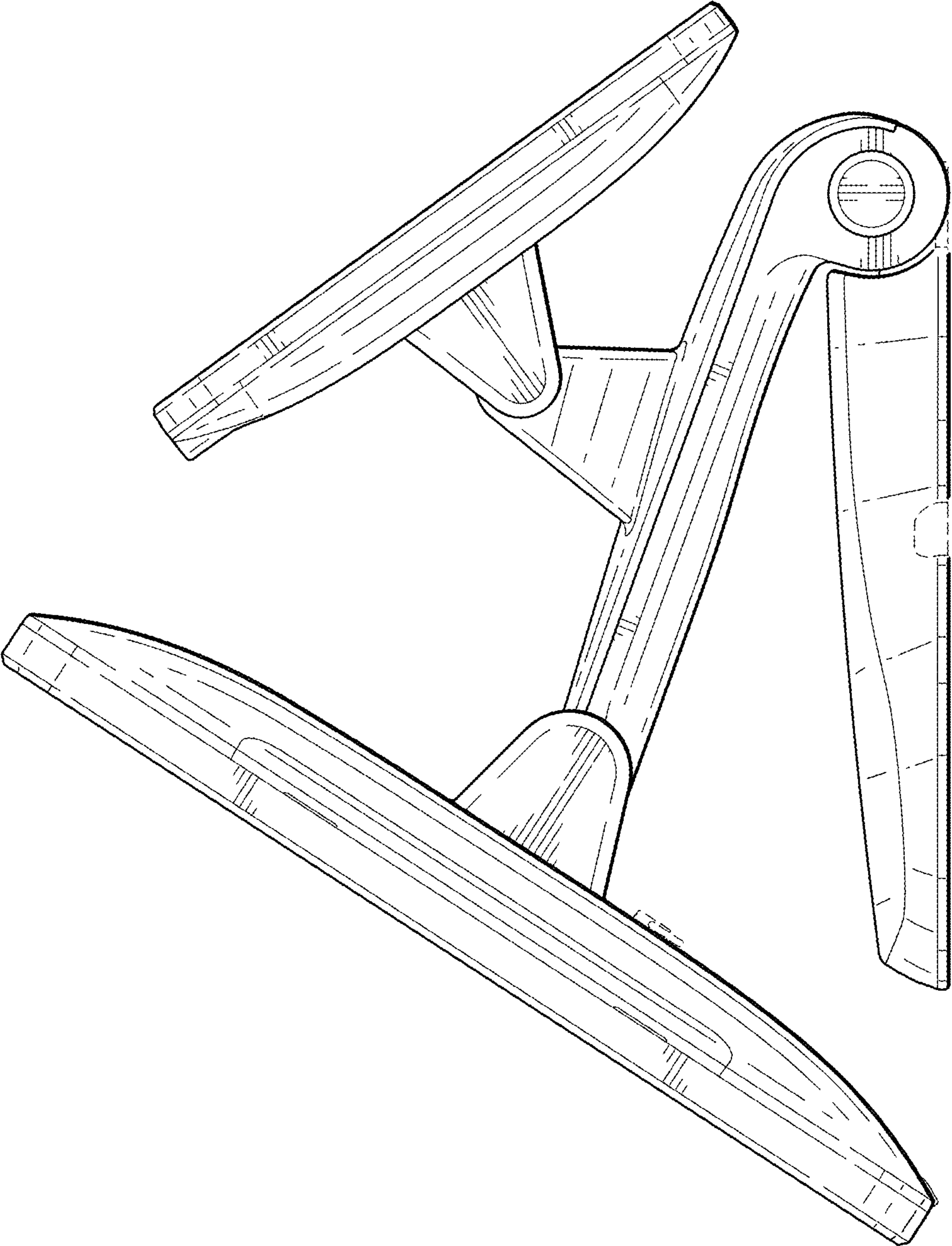


Fig. 12

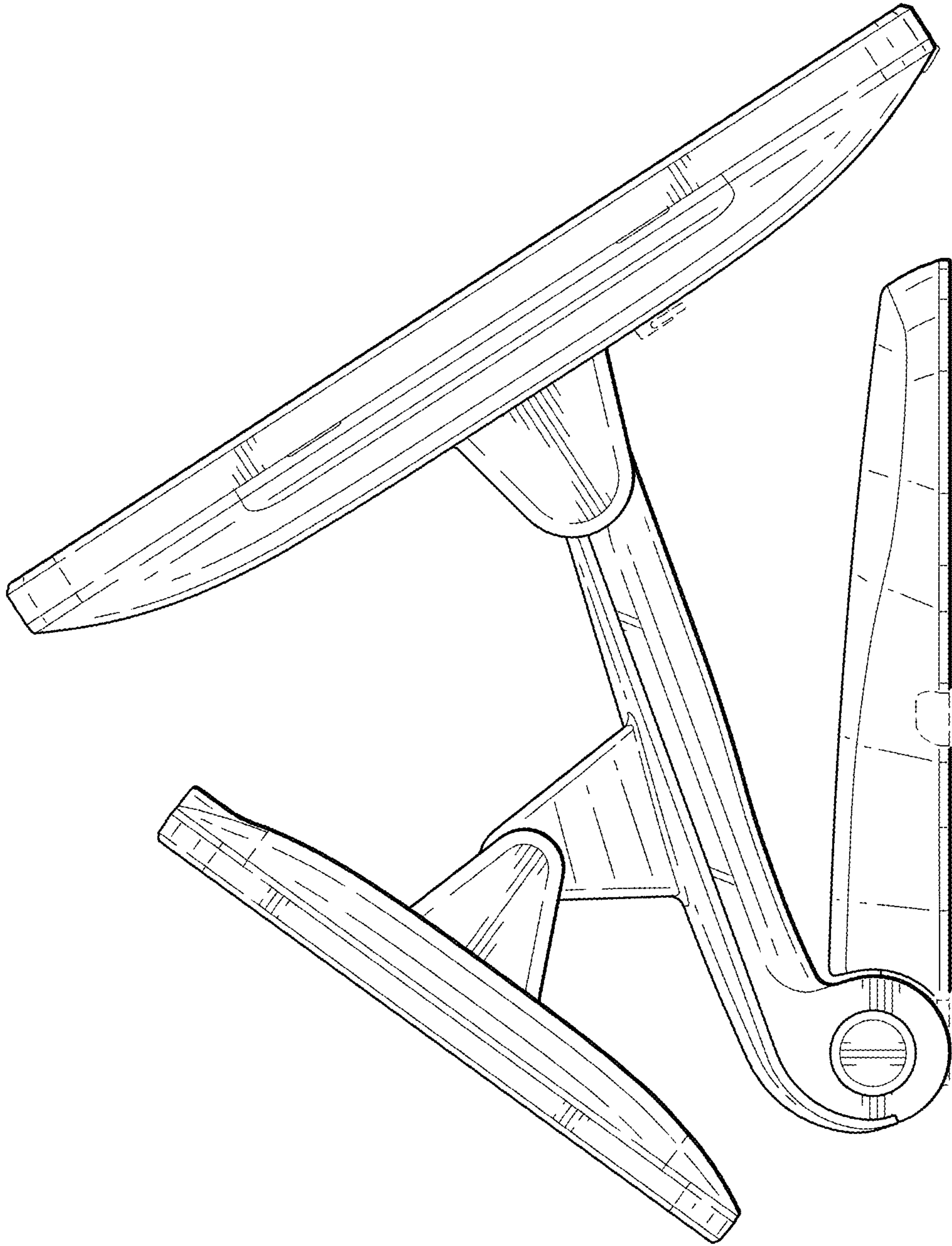
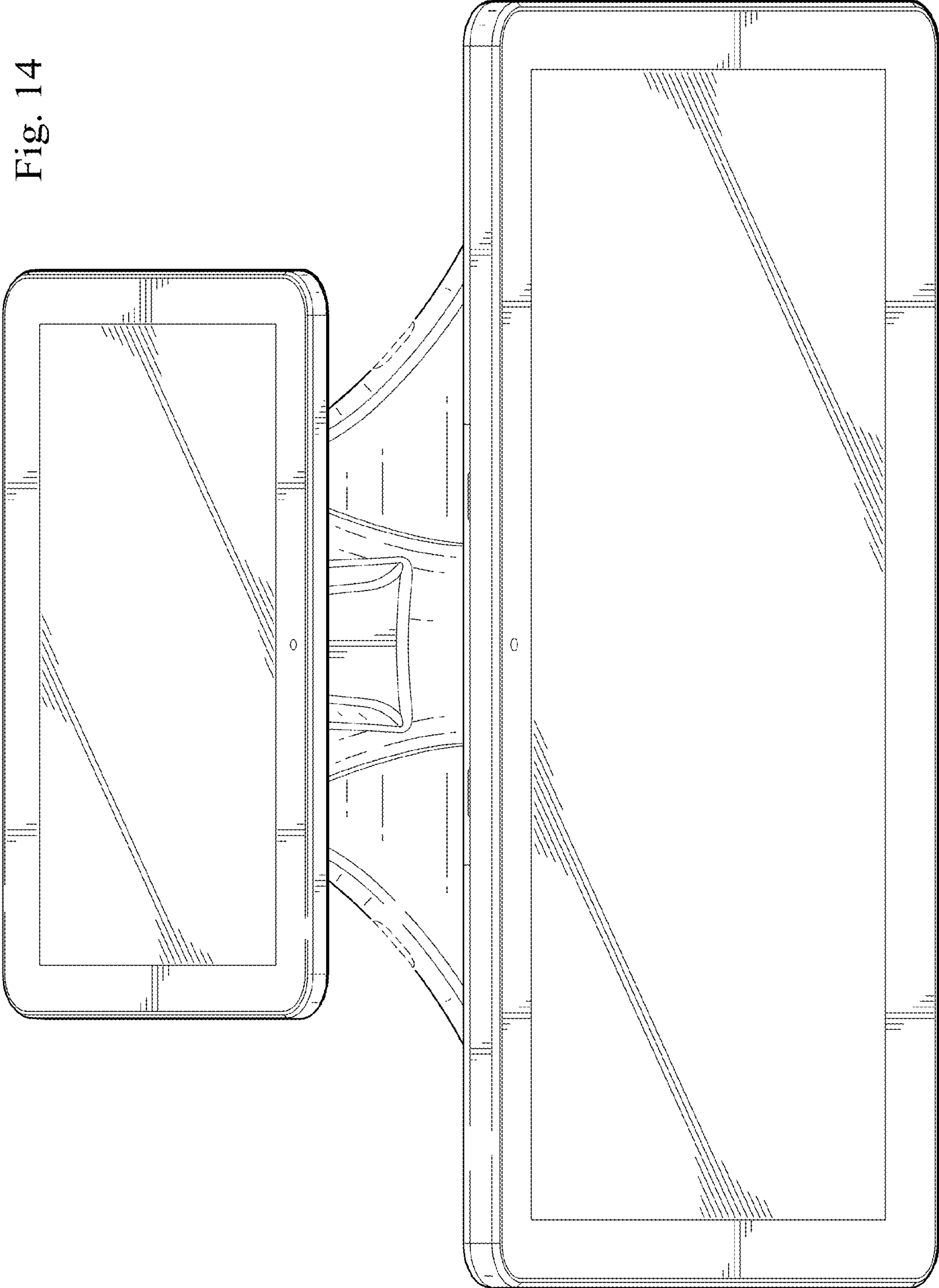


Fig. 13

Fig. 14



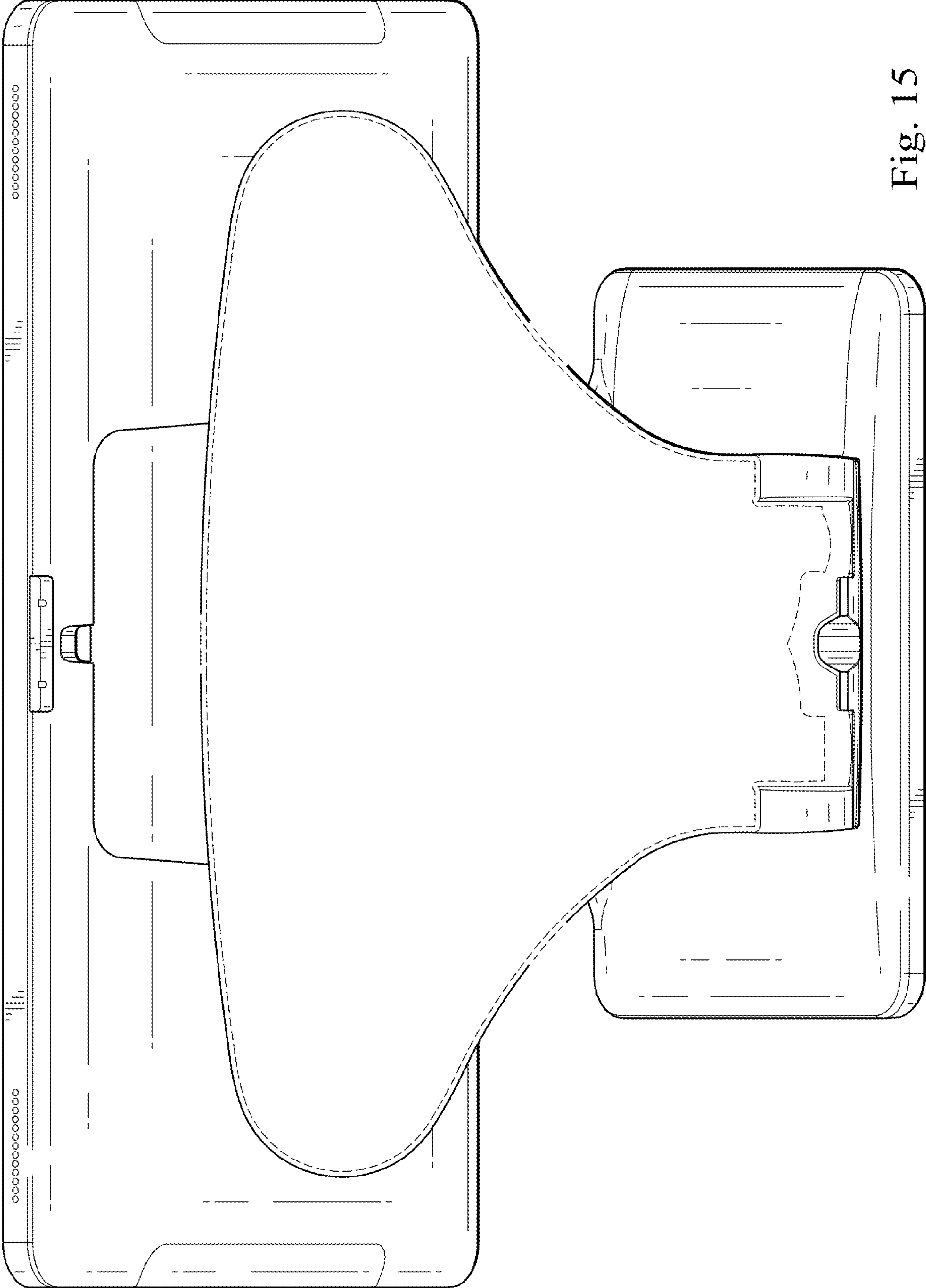


Fig. 15

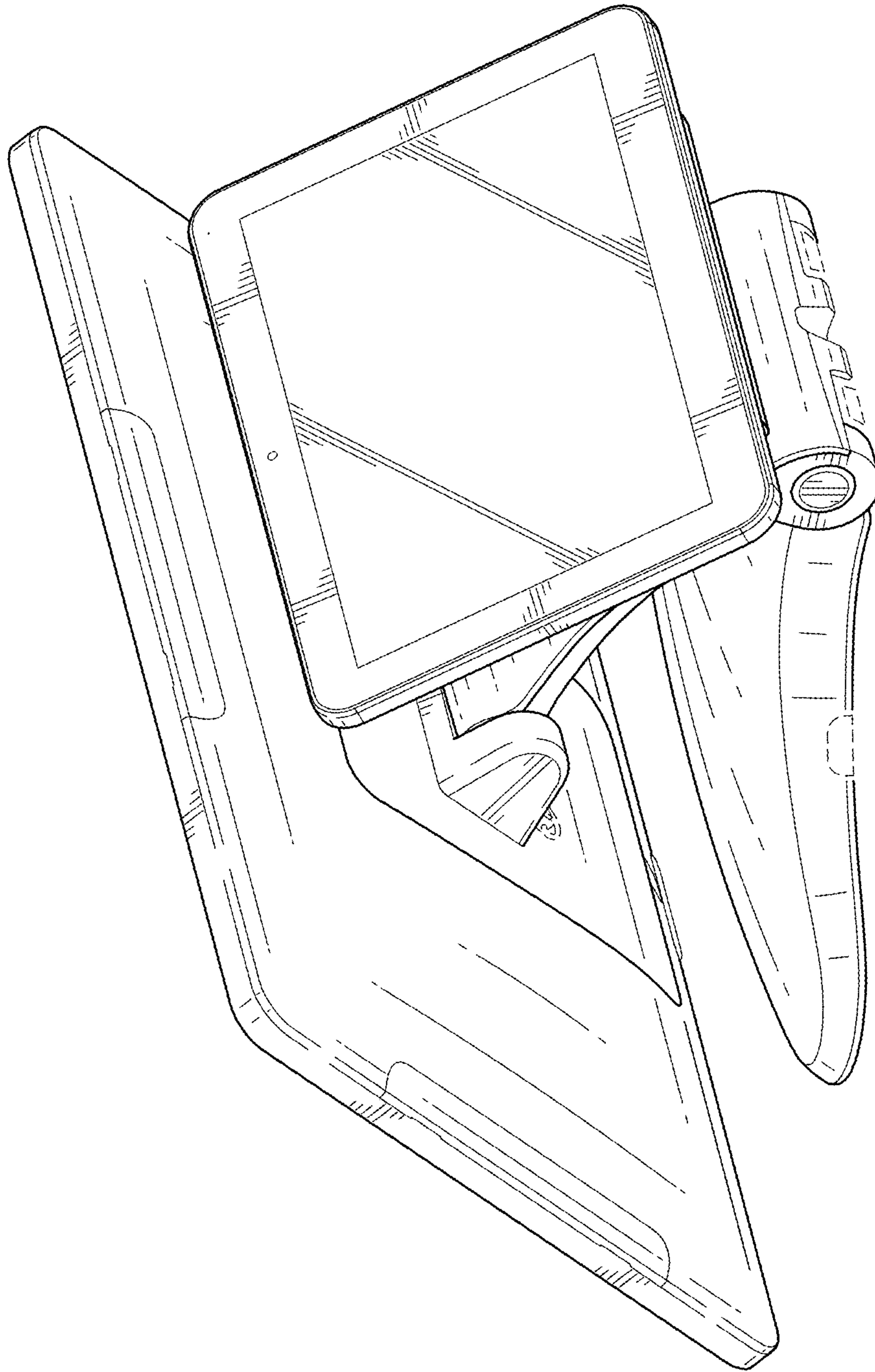


Fig. 16