



US00D918190S

(12) **United States Design Patent**  
**Hong**

(10) **Patent No.:** **US D918,190 S**

(45) **Date of Patent:** **\*\* May 4, 2021**

- (54) **PHONE STAND WITH SCREEN MAGNIFIER**
- (71) Applicant: **SHENZHEN JUSHI TECHNOLOGY CO., LTD.**, Shenzhen (CN)
- (72) Inventor: **Yiyi Hong**, Nanan (CN)
- (73) Assignee: **SHENZHEN JUSHI TECHNOLOGY CO., LTD.**, Shenzhen (CN)

(\*\*) Term: **15 Years**

(21) Appl. No.: **29/759,367**

(22) Filed: **Nov. 23, 2020**

(51) **LOC (13) Cl.** ..... **14-03**

(52) **U.S. Cl.**  
USPC ..... **D14/253; D16/135**

(58) **Field of Classification Search**  
USPC ..... D14/251-253, 447, 440; D12/415;  
D3/218; D8/349; D13/108; D16/135  
CPC ..... H04M 1/04; H04M 1/06; H04M 1/11;  
H04M 1/12; H04M 1/13; A45F  
2200/0516; A45F 2200/0525  
See application file for complete search history.

(56) **References Cited**

**U.S. PATENT DOCUMENTS**

D631,903 S *	2/2011	Sugiyama	.....	D16/225
D661,329 S *	6/2012	Hui	.....	D16/135
D664,584 S *	7/2012	Turpault	.....	D16/225
D716,787 S *	11/2014	Takabatake	.....	D14/252
D717,289 S *	11/2014	Takabatake	.....	D14/252
D733,113 S *	6/2015	Krantz	.....	D14/251
D753,642 S *	4/2016	Iimuro	.....	D14/253
D756,442 S *	5/2016	Bourque	.....	D16/225
D758,471 S *	6/2016	van Hees	.....	D16/225
D848,516 S *	5/2019	Park	.....	D16/225
D861,002 S *	9/2019	Bergeron-Mirsky	.....	D14/447
D870,096 S *	12/2019	McSweyn	.....	D14/253
D879,035 S *	3/2020	Li	.....	D13/108

D880,471 S *	4/2020	Yoo	.....	D14/253
D881,123 S *	4/2020	Zhang	.....	D13/108
D884,045 S *	5/2020	Lin	.....	D16/135
D894,989 S *	9/2020	Hong	.....	D16/135
D898,017 S *	10/2020	Zhang	.....	D14/253
D903,689 S *	12/2020	Zheng	.....	D14/447
D905,686 S *	12/2020	Zhang	.....	D14/253
D906,347 S *	12/2020	Yang	.....	D14/447
D907,628 S *	1/2021	Feng	.....	D14/253
D907,644 S *	1/2021	Li	.....	D14/447
D908,688 S *	1/2021	Zhang	.....	D14/253

(Continued)

*Primary Examiner* — Janice Hallmark

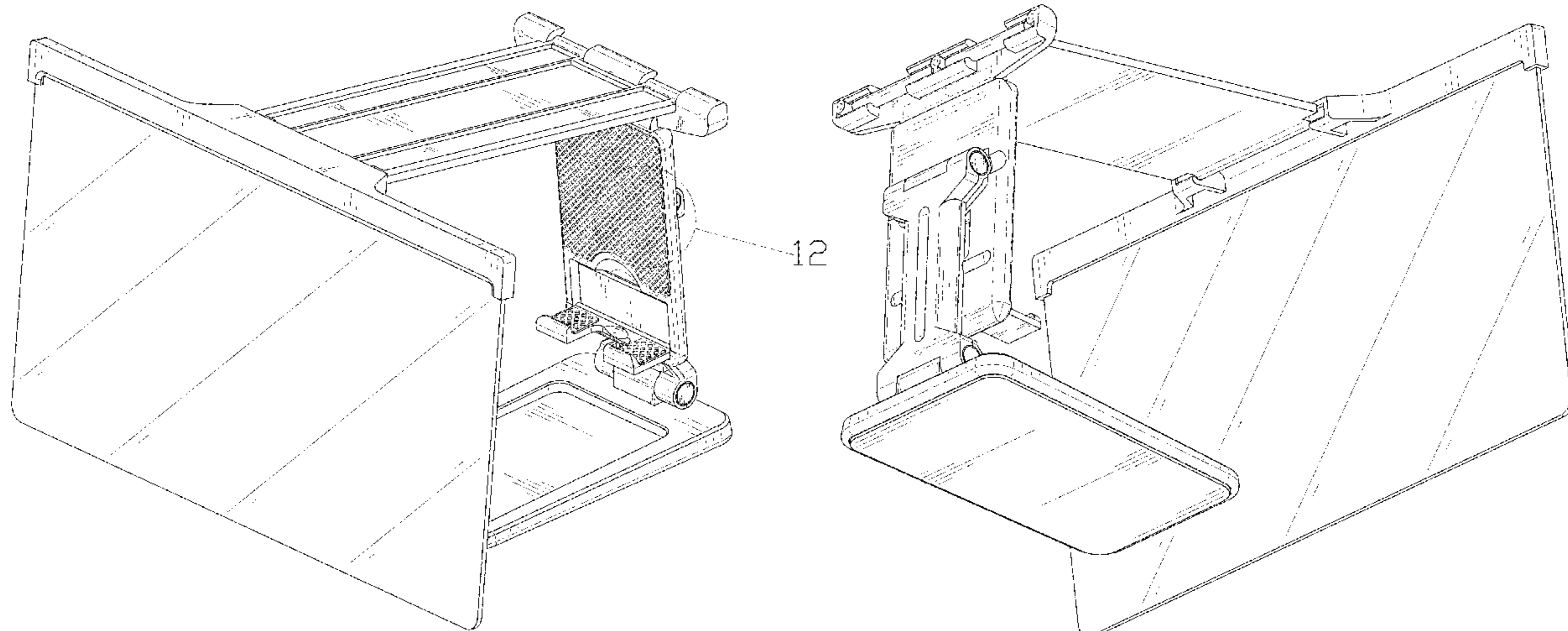
(57) **CLAIM**

The ornamental design for a phone stand with screen magnifier, as shown and described.

**DESCRIPTION**

FIG. 1 is a perspective view of a phone stand with screen magnifier showing my new design;  
 FIG. 2 is another perspective view thereof;  
 FIG. 3 is a front elevational view thereof;  
 FIG. 4 is a rear elevational view thereof;  
 FIG. 5 is a left side elevational view thereof;  
 FIG. 6 is a right side elevational view thereof;  
 FIG. 7 is a top plan view thereof;  
 FIG. 8 is a bottom plan view thereof;  
 FIG. 9 is a perspective view of the phone stand with screen magnifier where the phone stand with screen magnifier is in a configuration of use;  
 FIG. 10 is an exploded perspective view of the phone stand with screen magnifier;  
 FIG. 11 is another exploded perspective view of the phone stand with screen magnifier; and,  
 FIG. 12 is an enlarged view of portion 12 shown in FIG. 1.  
 The broken lines in the drawings depict portions of the phone stand with screen magnifier that form no part of the claimed design.

**1 Claim, 12 Drawing Sheets**



(56)

**References Cited**

U.S. PATENT DOCUMENTS

D911,277 S *	2/2021	Shang .....	D13/108
D911,304 S *	2/2021	Hong .....	D14/204
D912,036 S *	3/2021	Zhang .....	D14/253
D912,654 S *	3/2021	Weng .....	D14/253
2015/0338635 A1 *	11/2015	Gantz .....	G02B 25/002 345/32

\* cited by examiner

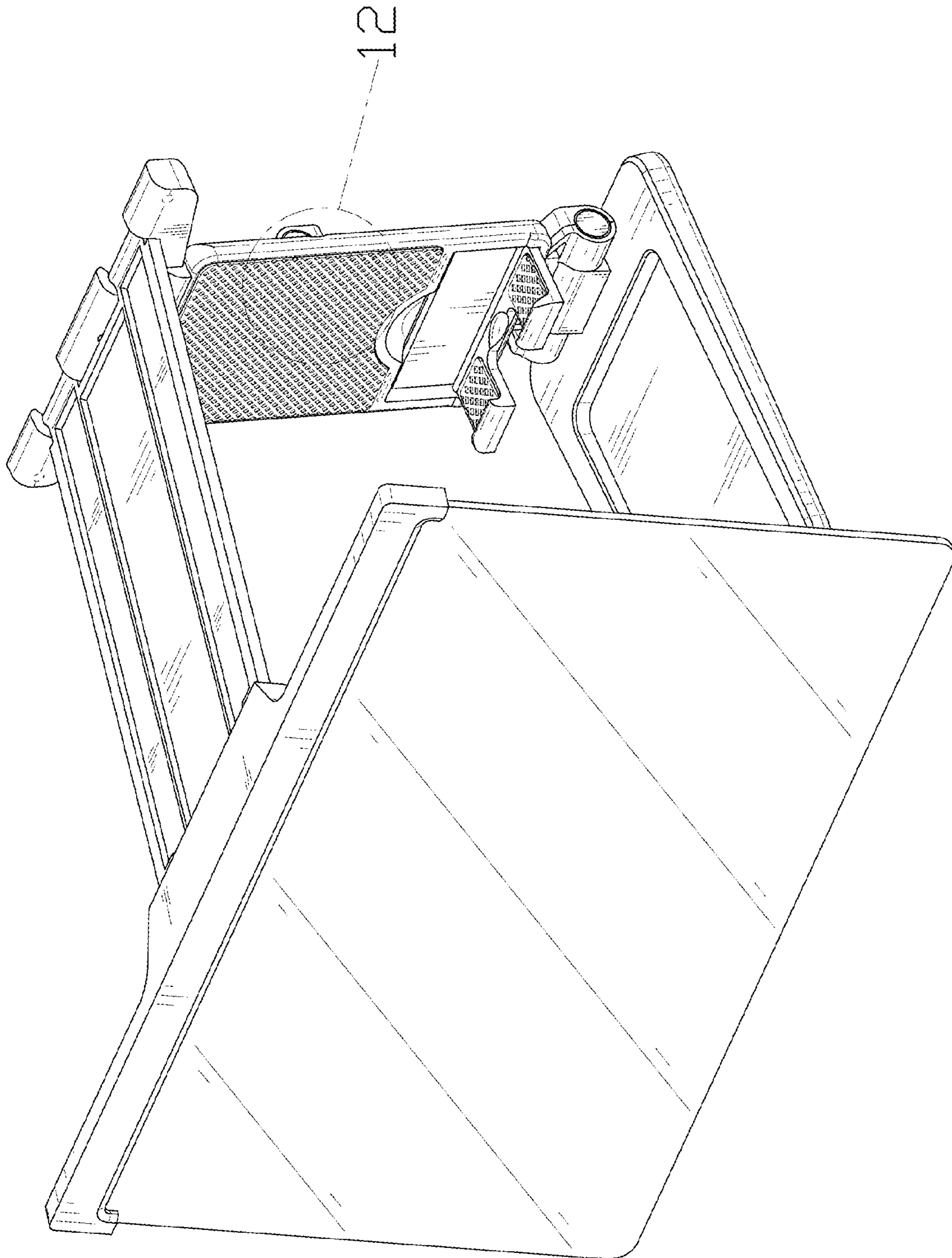


FIG. 1



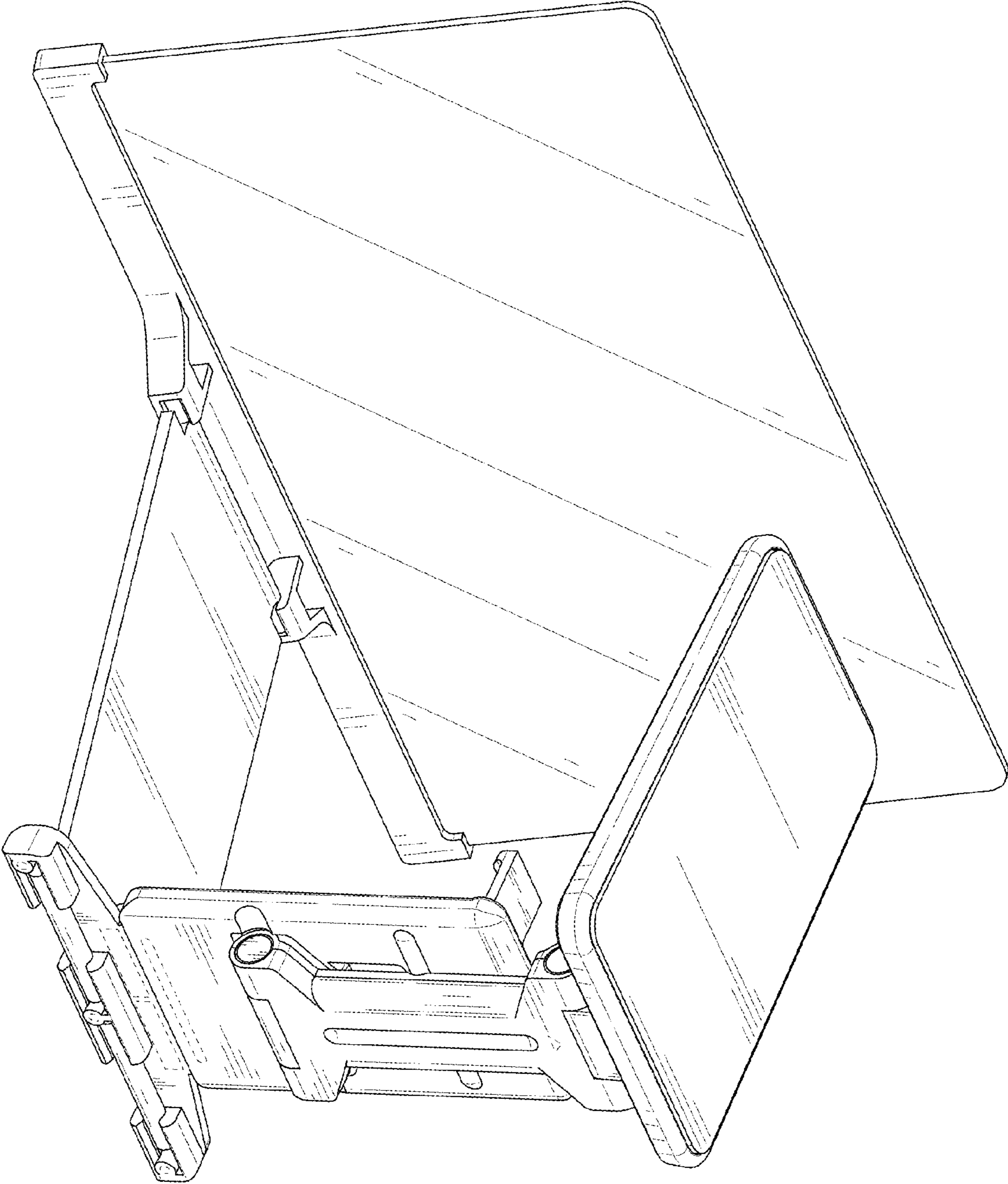


FIG. 2

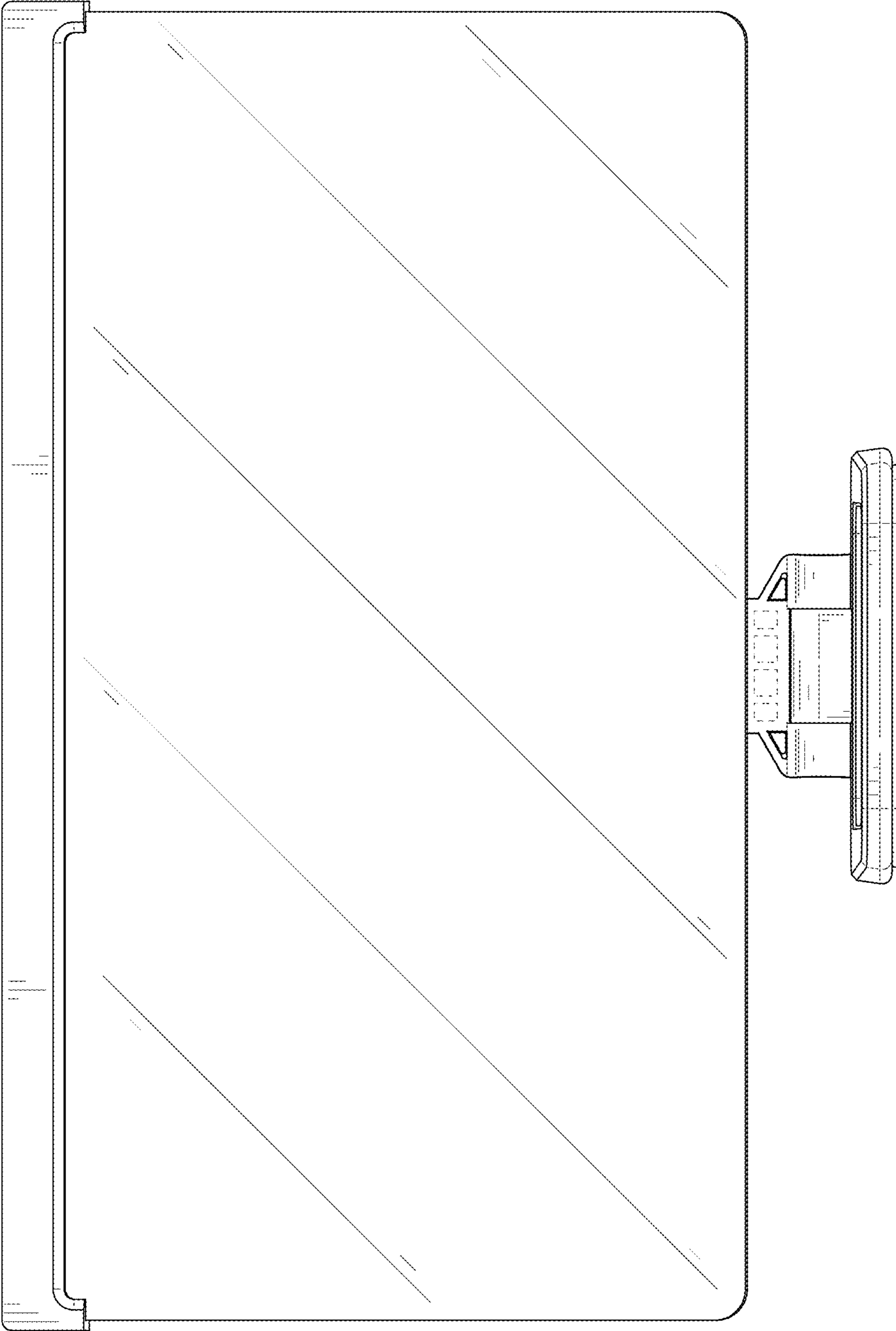


FIG. 3

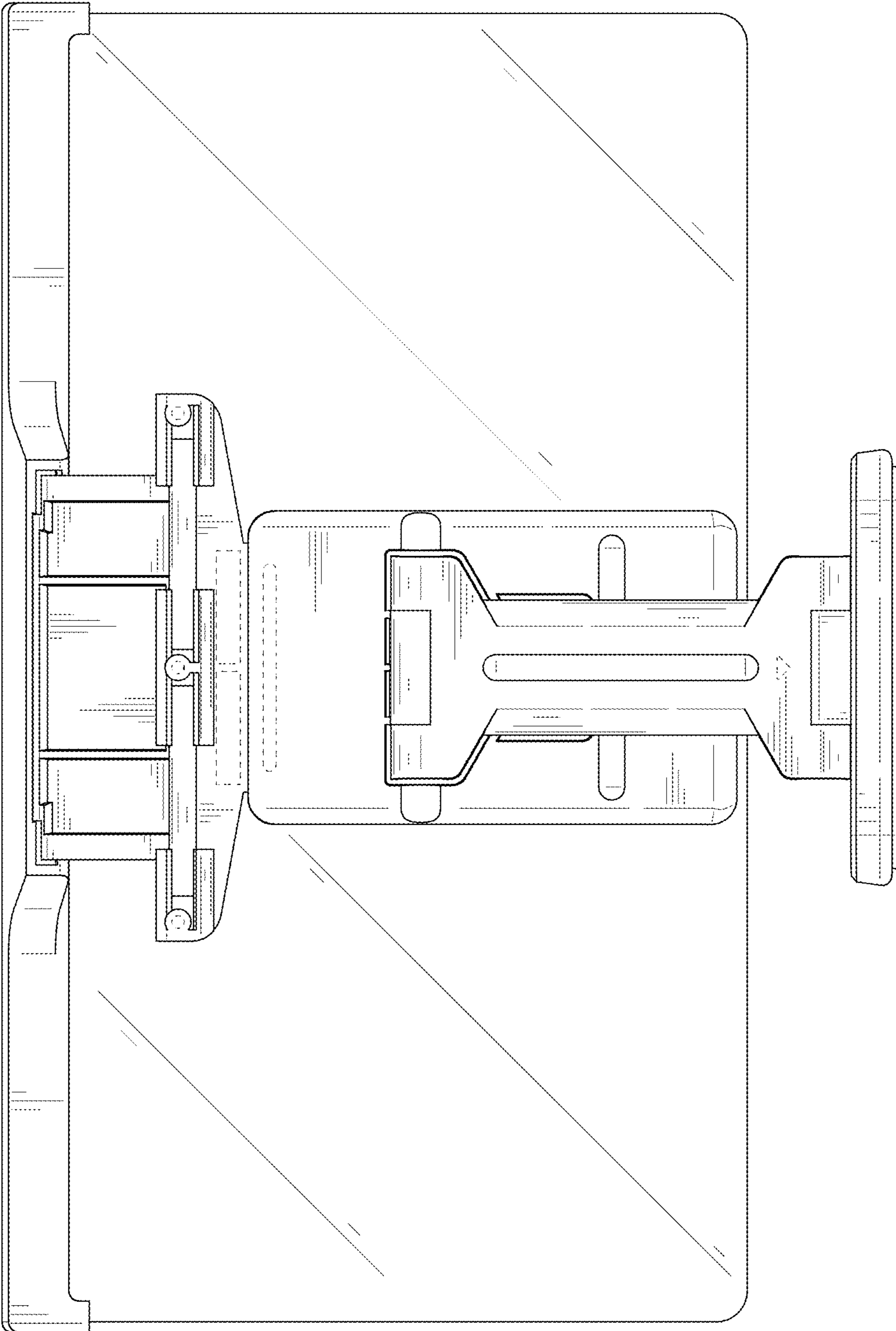


FIG. 4

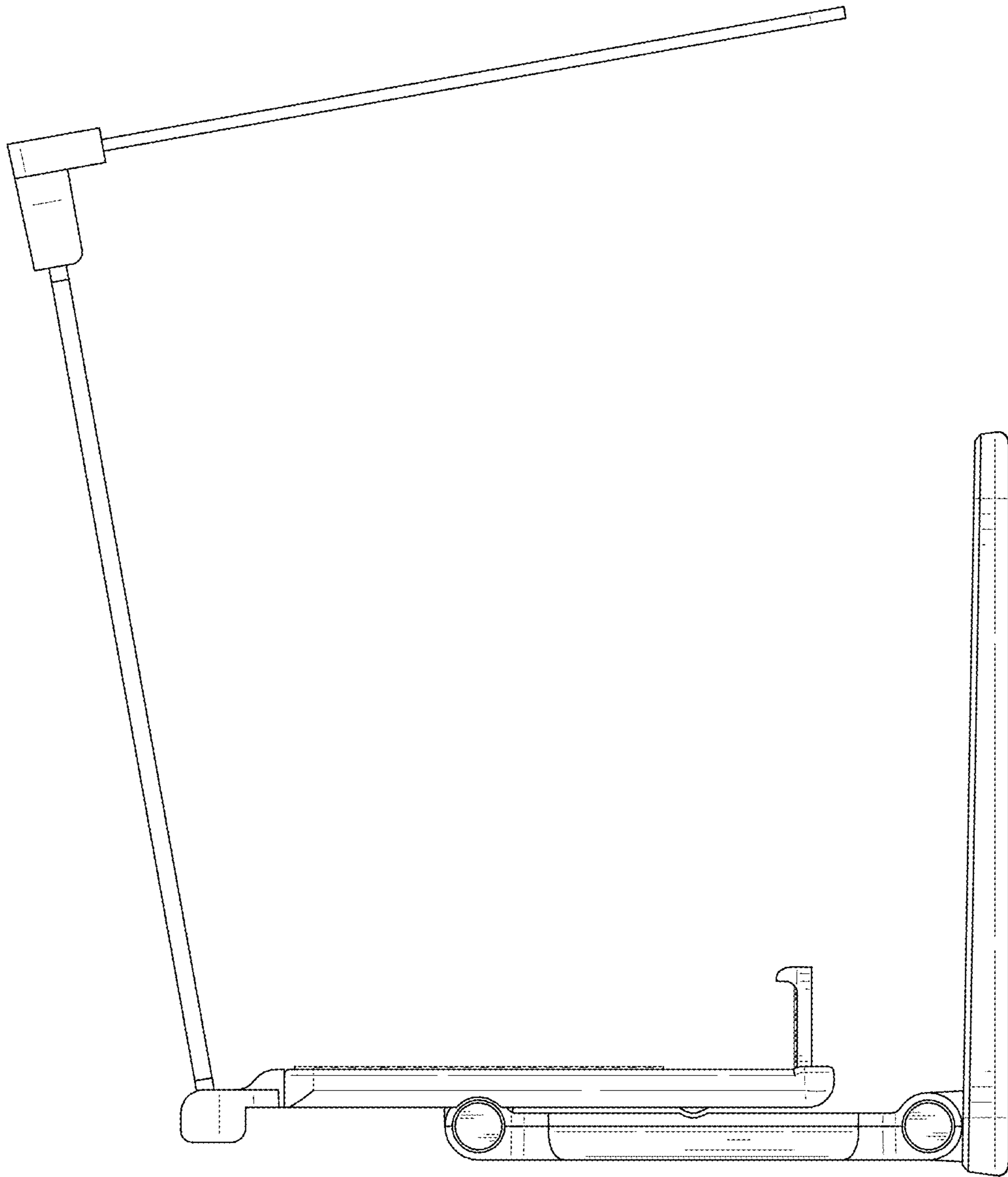


FIG. 5

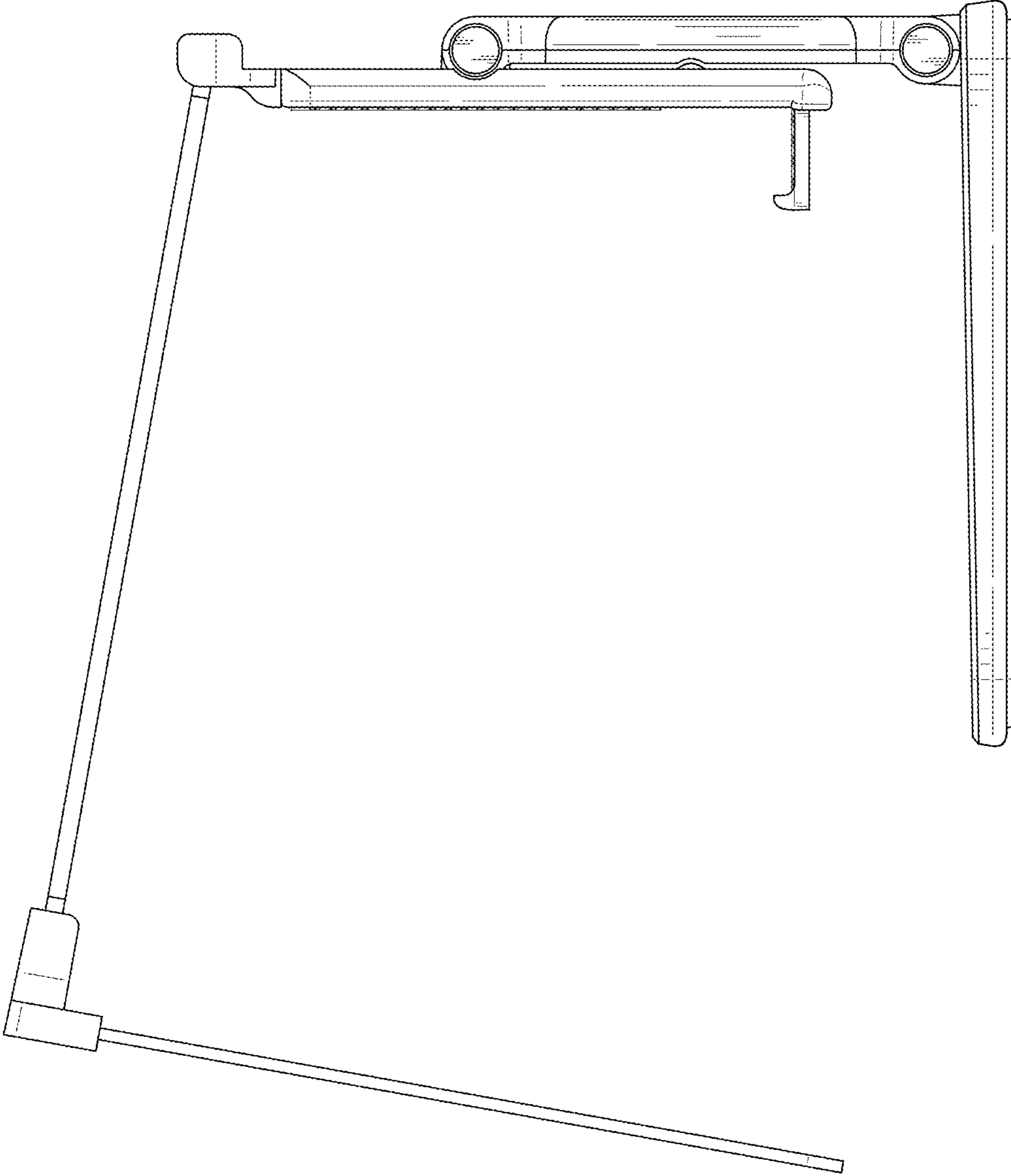


FIG. 6



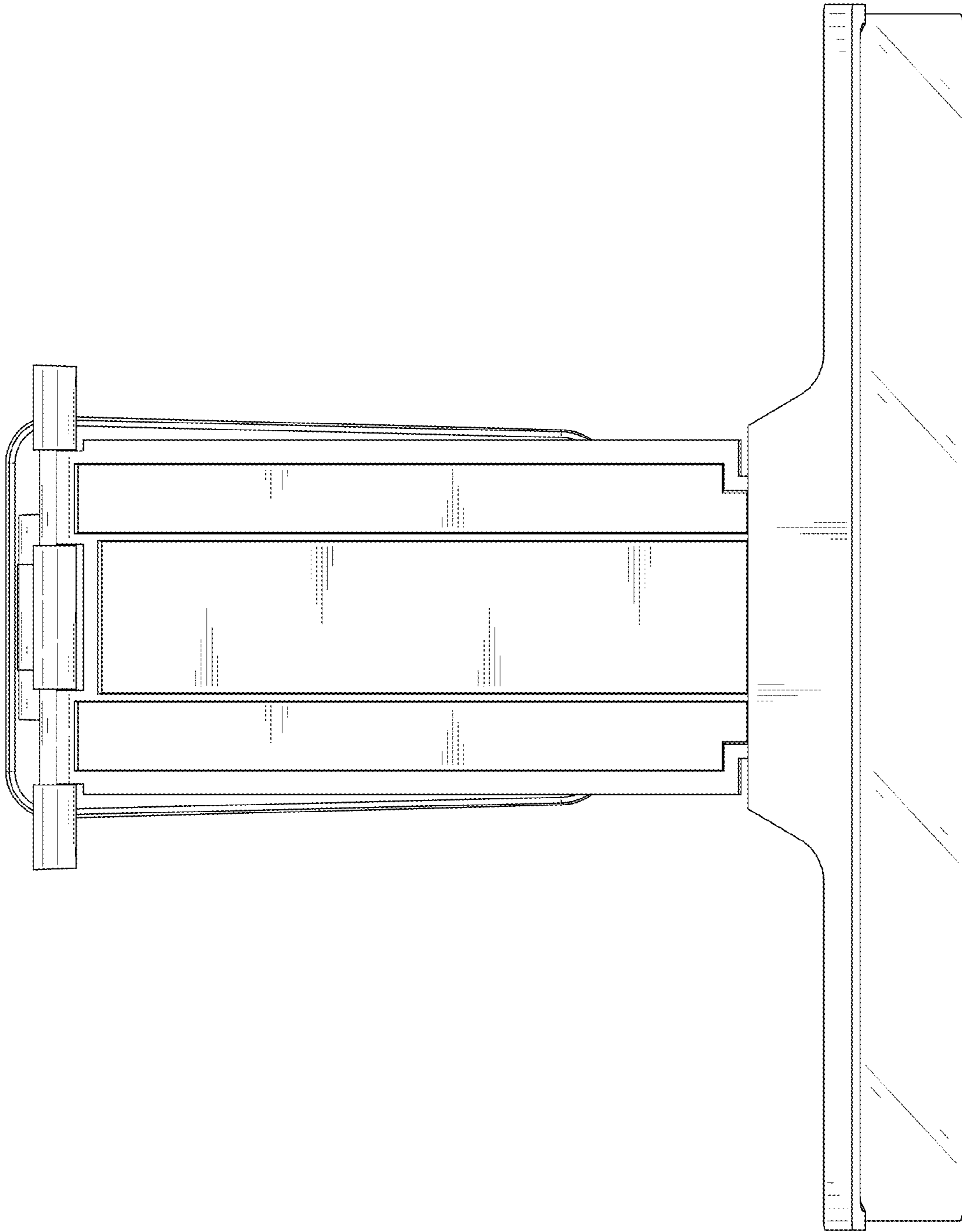


FIG. 7

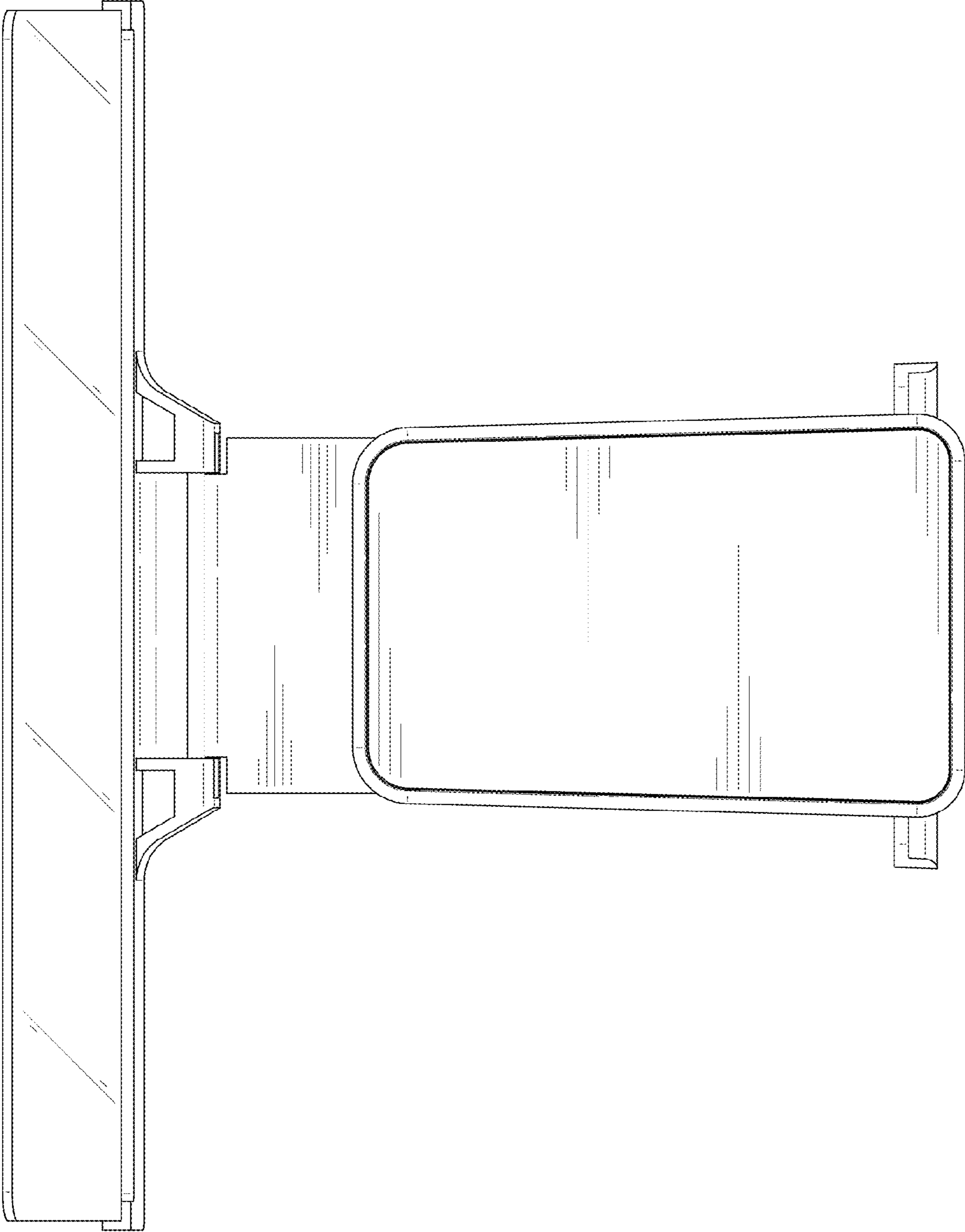


FIG. 8

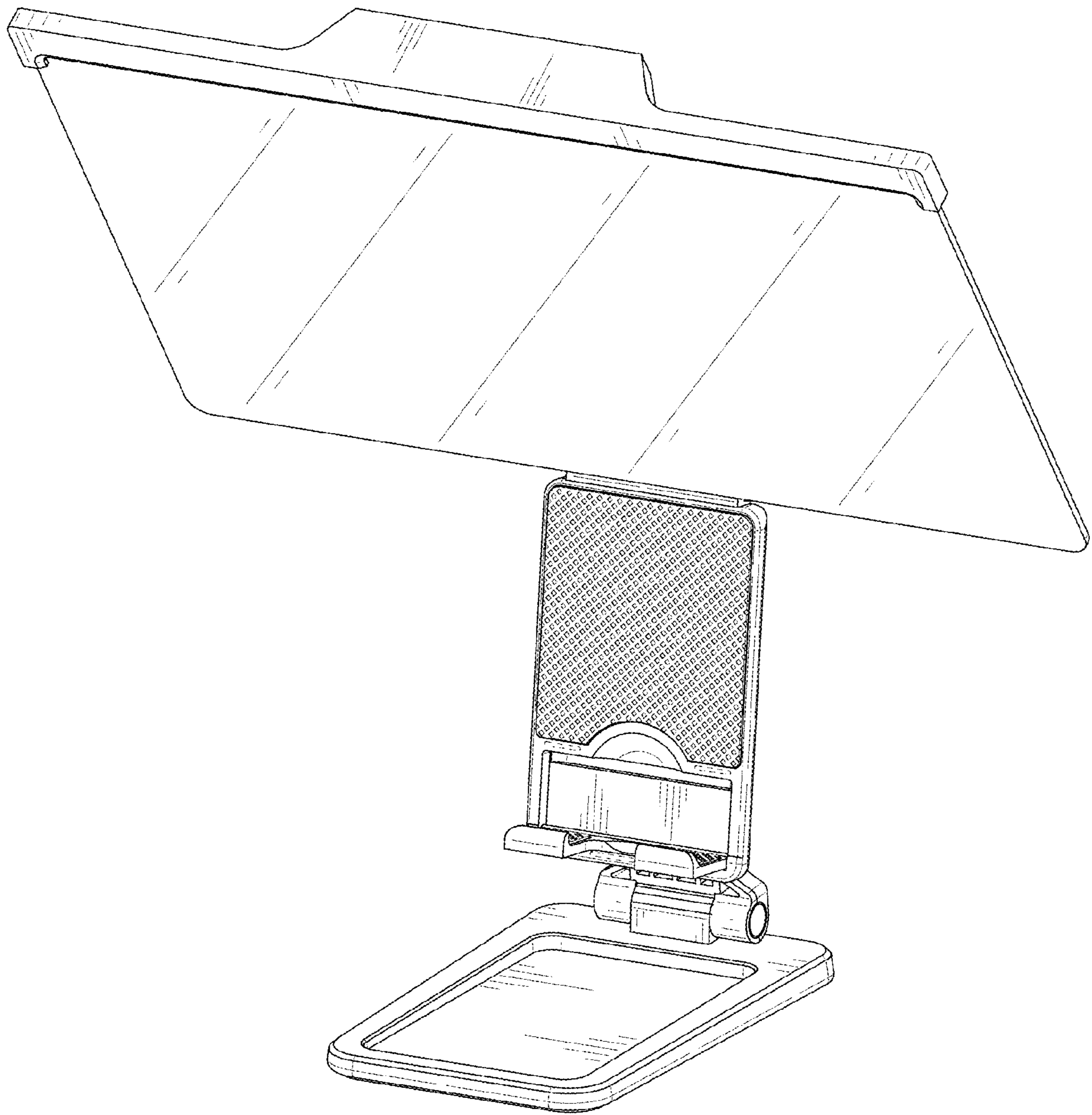


FIG. 9

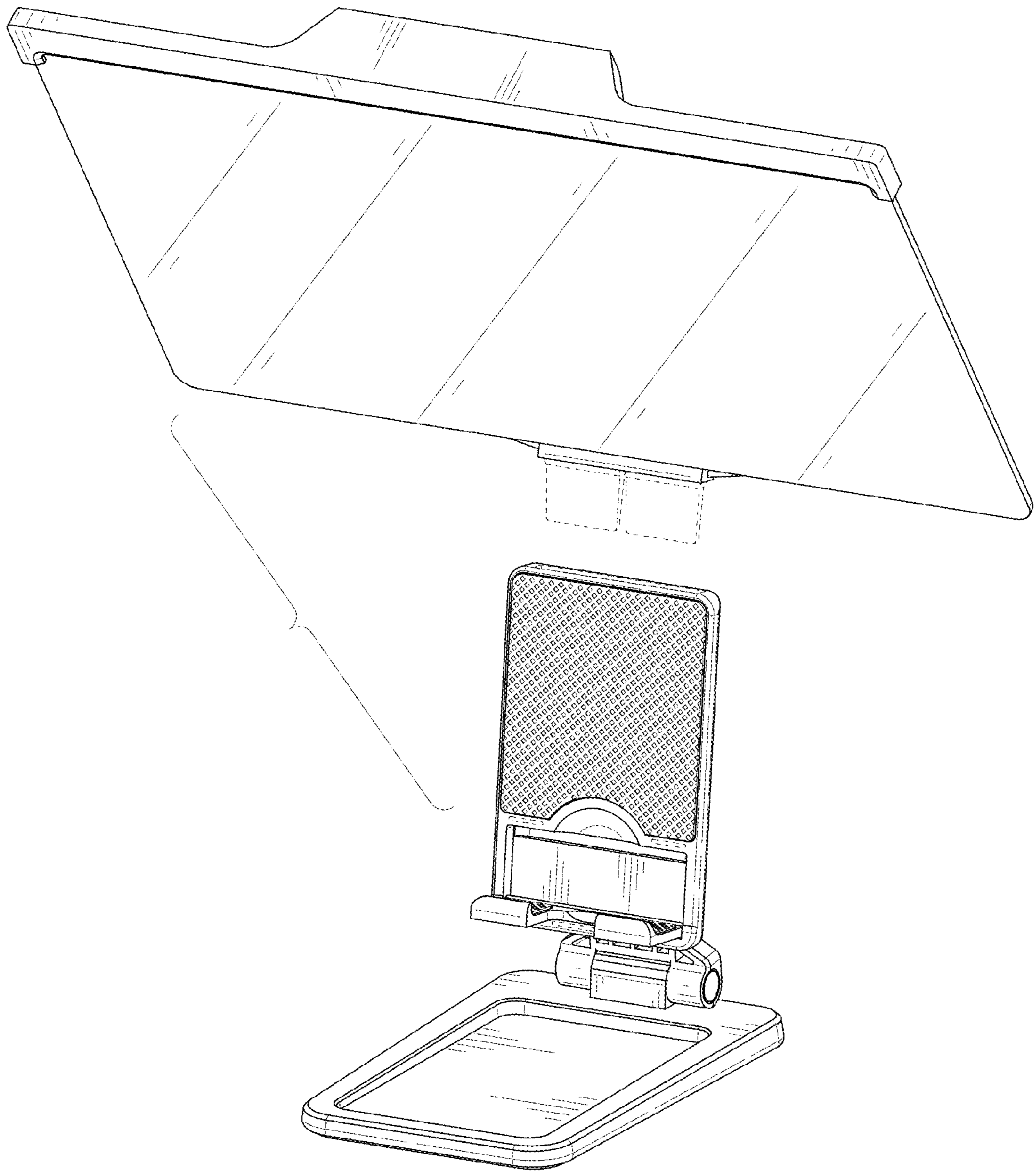


FIG. 10

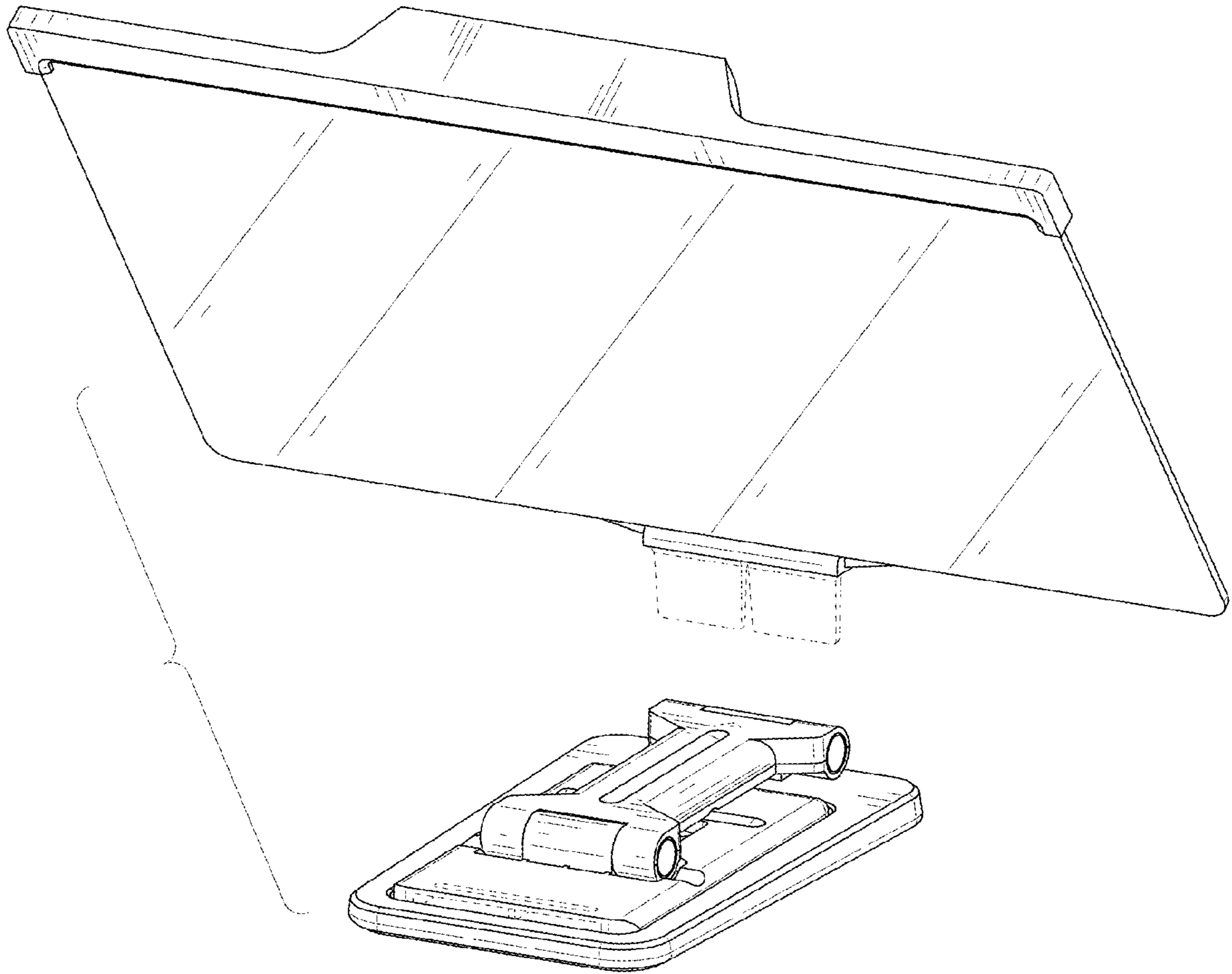


FIG. 11



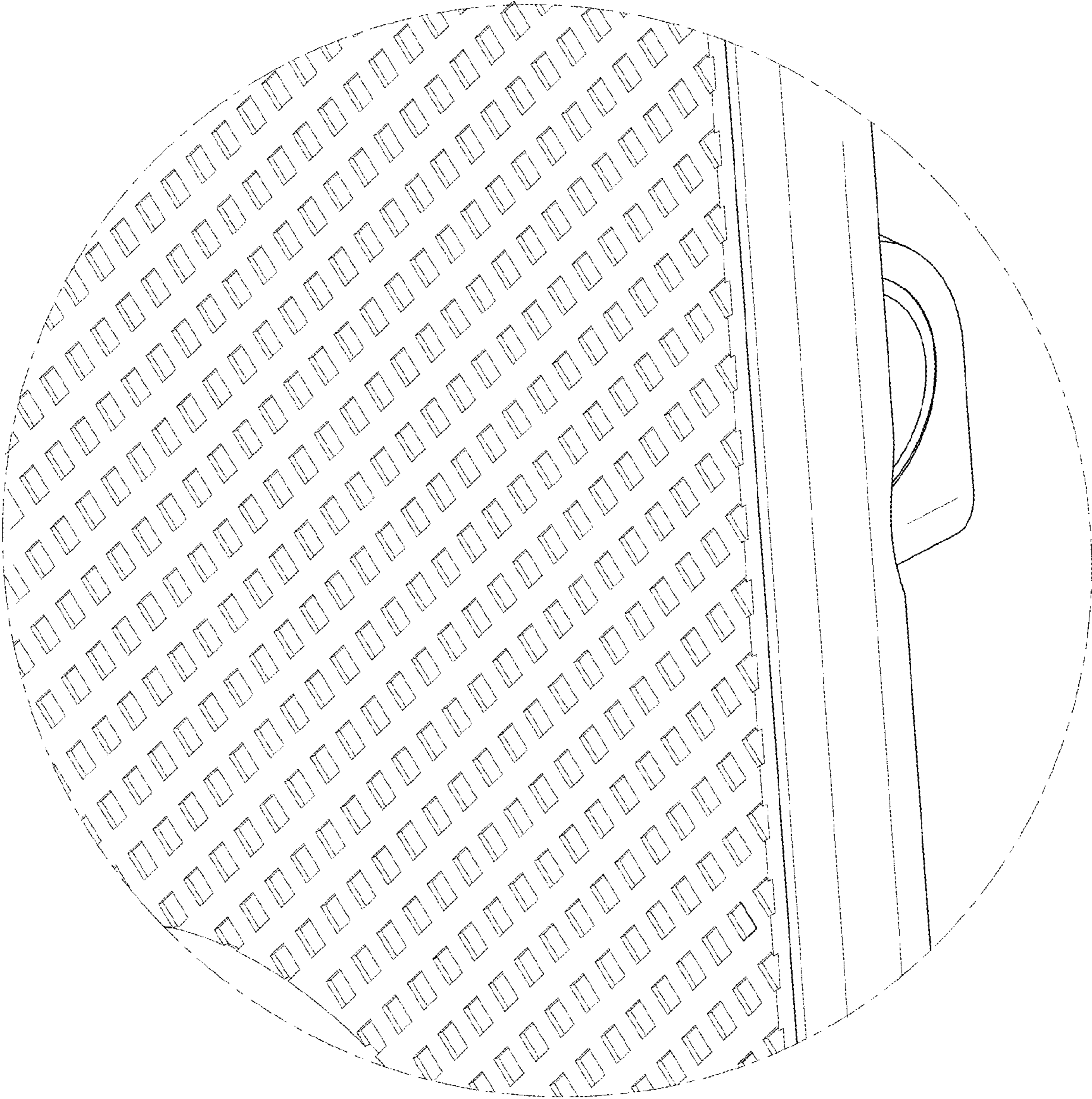


FIG. 12