



US00D918189S

(12) **United States Design Patent**  
**Lu**

(10) **Patent No.:** **US D918,189 S**

(45) **Date of Patent:** **\*\* May 4, 2021**

(54) **DISPLAY MOUNT**

7,891,622 B1 \* 2/2011 O'Keene ..... F16M 11/18  
248/292.13

(71) Applicant: **SHENZHEN PRIME TECHNOLOGY CO., LTD**, Shenzhen (CN)

9,829,151 B1 \* 11/2017 Stenhouse ..... F16M 13/02  
D837,225 S 1/2019 Russell et al.  
D842,283 S \* 3/2019 Pei ..... D14/239

(Continued)

(72) Inventor: **Chengan Lu**, Shenzhen (CN)

**FOREIGN PATENT DOCUMENTS**

(73) Assignee: **SHENZHEN PRIME TECHNOLOGY CO., LTD**, Shenzhen (CN)

WO WO-2012055117 A1 \* 5/2012 ..... H04N 5/64

**OTHER PUBLICATIONS**

(\*\*) Term: **15 Years**

Walmart. Link: <https://www.walmart.com/ip/Tilting-TV-Wall-Mount-Kit-for-24-to-84-TVs-with-HDMI-Cable-ONA16TM013E/55836007>. Visited Feb. 24, 2021. Tilting TV Wall Mount Kit for 24" to 84" TVs with HDMI Cable (ONA16TM013E). (Year: 2021).\*

(Continued)

(21) Appl. No.: **29/749,596**

(22) Filed: **Sep. 8, 2020**

(51) **LOC (13) Cl.** ..... **14-03**

(52) **U.S. Cl.**

USPC ..... **D14/239**

(58) **Field of Classification Search**

USPC ..... D14/239, 371, 372, 373, 374, 447-452,  
D14/125, 127, 128, 129, 335-337, 375,  
D14/376, 377, 341; D8/355, 363, 373;  
D6/672, 682

CPC ..... F16M 11/2085; F16M 11/2092; F16M  
11/2007; F16M 11/2014; F16M 11/2021;  
F16M 11/105; F16M 11/10; F16M  
11/048; F16M 11/12; F16M 13/022

See application file for complete search history.

*Primary Examiner* — Lauren D McVey

(57) **CLAIM**

The ornamental design for a display mount, as shown and described.

**DESCRIPTION**

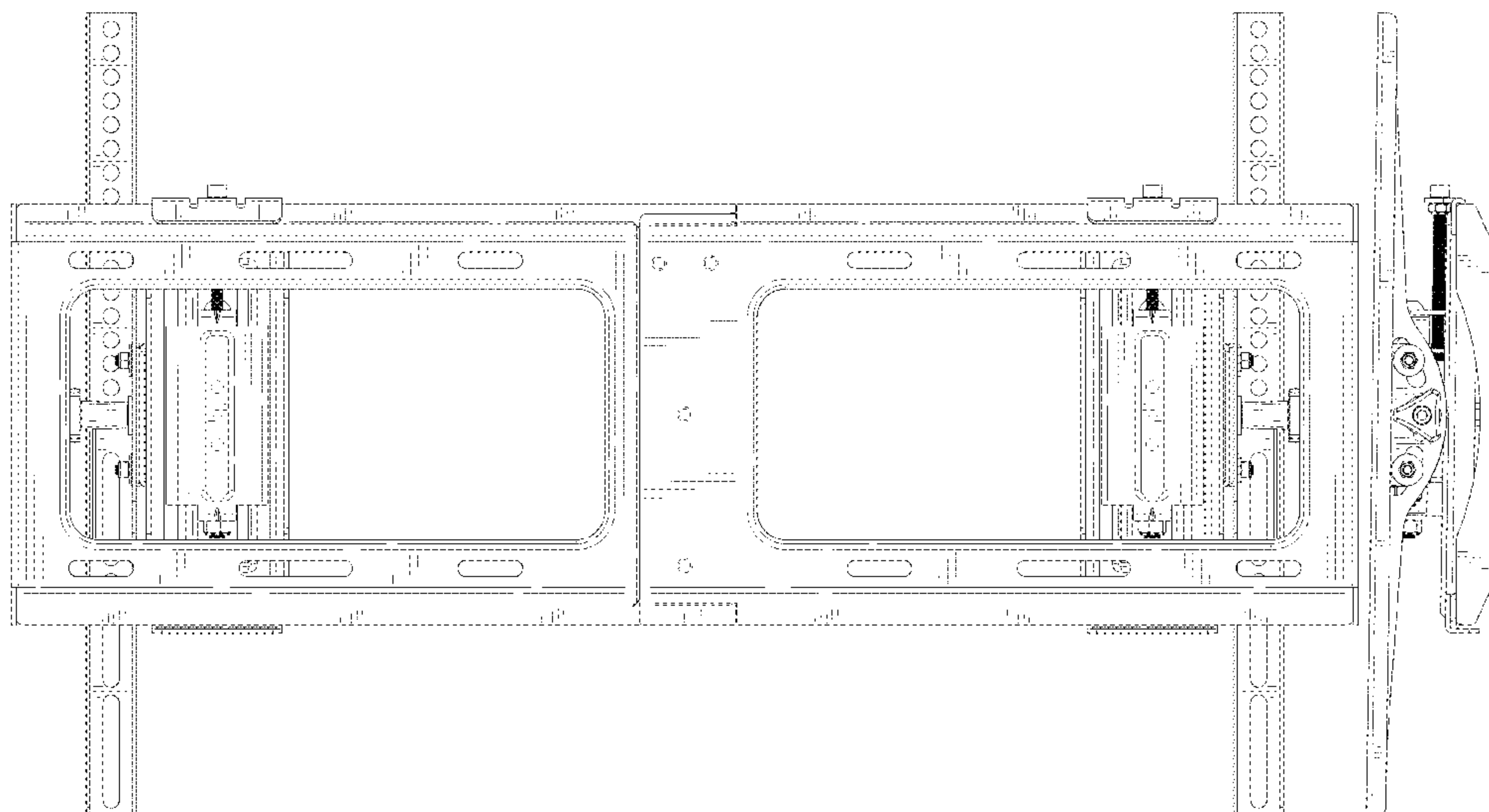
FIG. 1 is a perspective view of a display mount showing my new design;  
FIG. 2 is another perspective view thereof;  
FIG. 3 is a front elevational view thereof;  
FIG. 4 is a rear elevational view thereof;  
FIG. 5 is a left side elevational view thereof;  
FIG. 6 is a right side elevational view thereof;  
FIG. 7 is a top plan view thereof;  
FIG. 8 is a bottom plan view thereof; and,  
FIG. 9 is an enlarged view of portion 9 shown in FIG. 7.  
The broken lines in the drawings depict portions of the display mount that form no part of the claimed design. The dot-dash broken lines encircling portions of the claimed design in FIG. 7 that are illustrated in an enlargement in FIG. 9 form no part of the claimed design.

(56) **References Cited**

**U.S. PATENT DOCUMENTS**

D537,706 S 3/2007 Ly Hau et al.  
D553,483 S \* 10/2007 Grey ..... D8/380  
D563,962 S \* 3/2008 Grey ..... D14/452  
D565,399 S \* 4/2008 Grey ..... D8/380  
D587,694 S \* 3/2009 Sculler ..... D14/239  
D593,081 S \* 5/2009 Grolle ..... D14/239  
D602,923 S 10/2009 Skull  
7,871,048 B2 \* 1/2011 Sculler ..... F16M 11/10  
248/220.21

**1 Claim, 9 Drawing Sheets**



(56)

**References Cited**

U.S. PATENT DOCUMENTS

D848,989 S \* 5/2019 Pei ..... D14/239  
D852,174 S \* 6/2019 Pei ..... D14/239  
2007/0235614 A1 \* 10/2007 O'Keene ..... F16M 13/02  
248/309.1  
2019/0203873 A1 \* 7/2019 Pei ..... F16M 11/126

OTHER PUBLICATIONS

Amazon. Link: [https://www.amazon.com/Monoprice-Stable-Tilt-Mount-Bracket/dp/B00EFPUIU8/ref=sr\\_1\\_1?dchild=1&keywords=Monoprice+10483+EZ+Series+Tilt+TV+Wall+Mount+Bracket&qid=1614200772&sr=8-1](https://www.amazon.com/Monoprice-Stable-Tilt-Mount-Bracket/dp/B00EFPUIU8/ref=sr_1_1?dchild=1&keywords=Monoprice+10483+EZ+Series+Tilt+TV+Wall+Mount+Bracket&qid=1614200772&sr=8-1). Aug. 10, 2013. Monoprice Stable Series Tilt TV Wall Mount Bracket. (Year: 2013).\*

Amazon. Link: [https://www.amazon.com/FORGING-MOUNT-Articulating-Extension-VESA600x400mm/dp/B08FXN2RTV/ref=psdc\\_760796\\_t3\\_B08P3VD9D5](https://www.amazon.com/FORGING-MOUNT-Articulating-Extension-VESA600x400mm/dp/B08FXN2RTV/ref=psdc_760796_t3_B08P3VD9D5). Aug. 14, 2020. Forging Mount Long Arm TV Mount. (Year: 2020).\*

\* cited by examiner

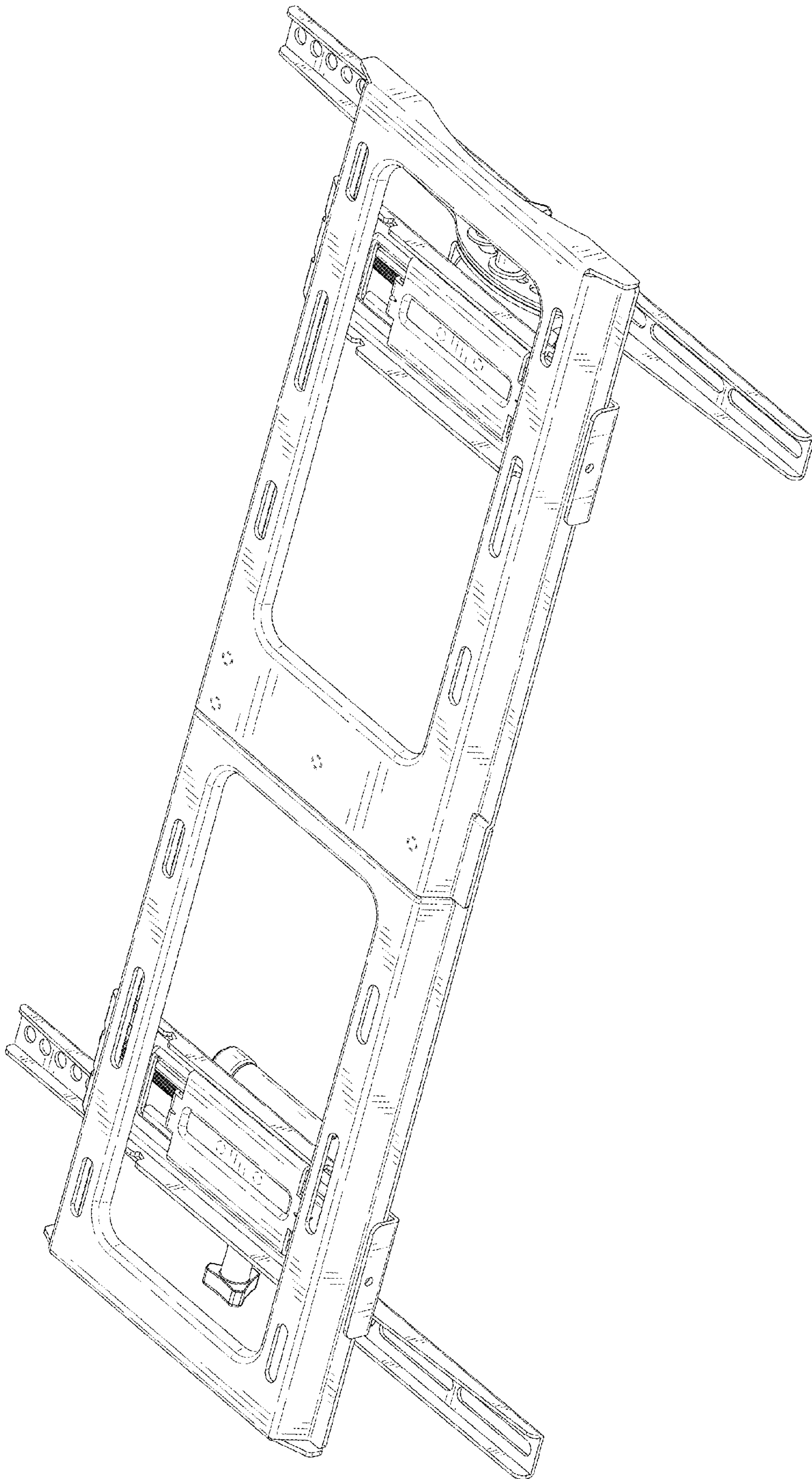


FIG. 1



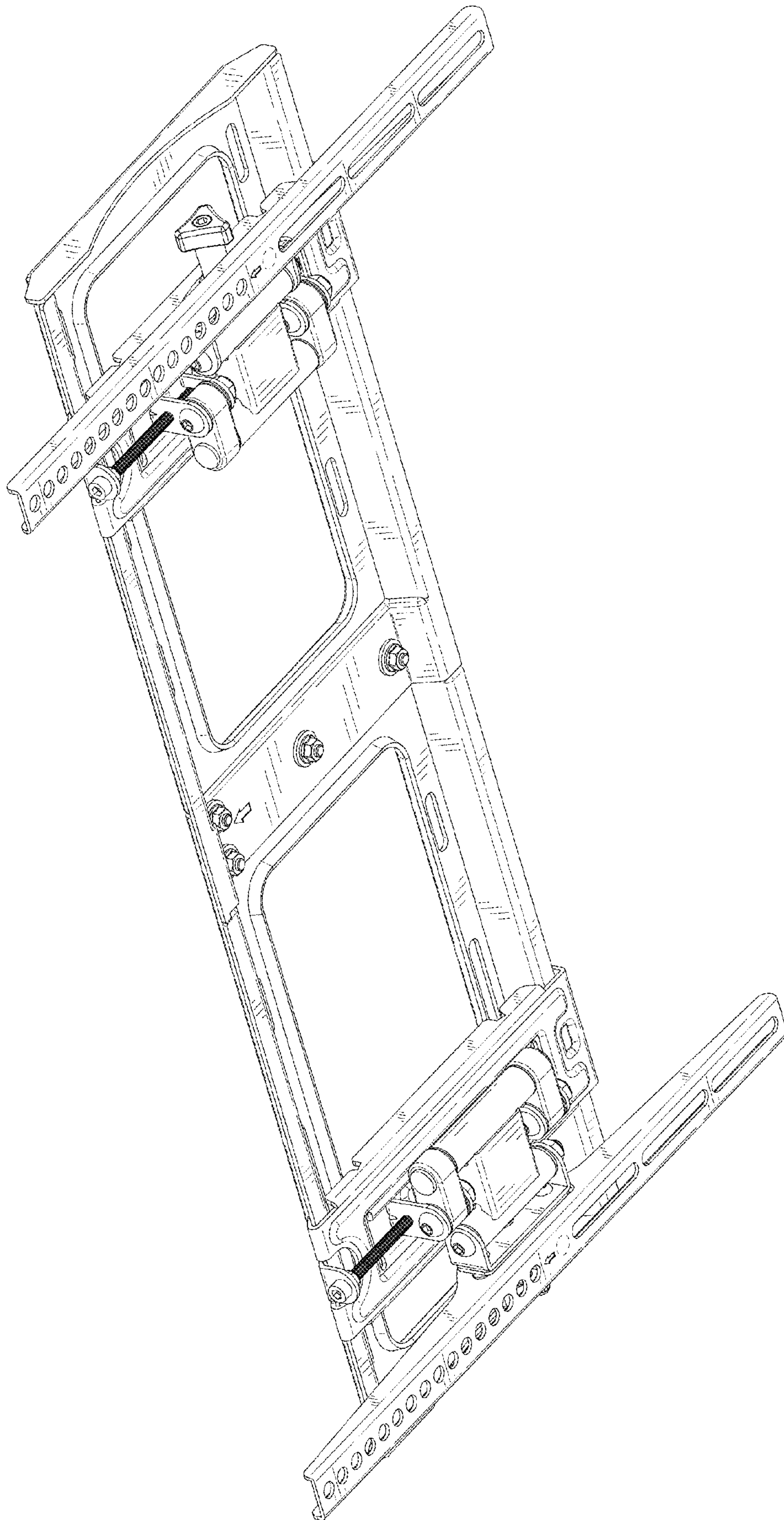


FIG. 2

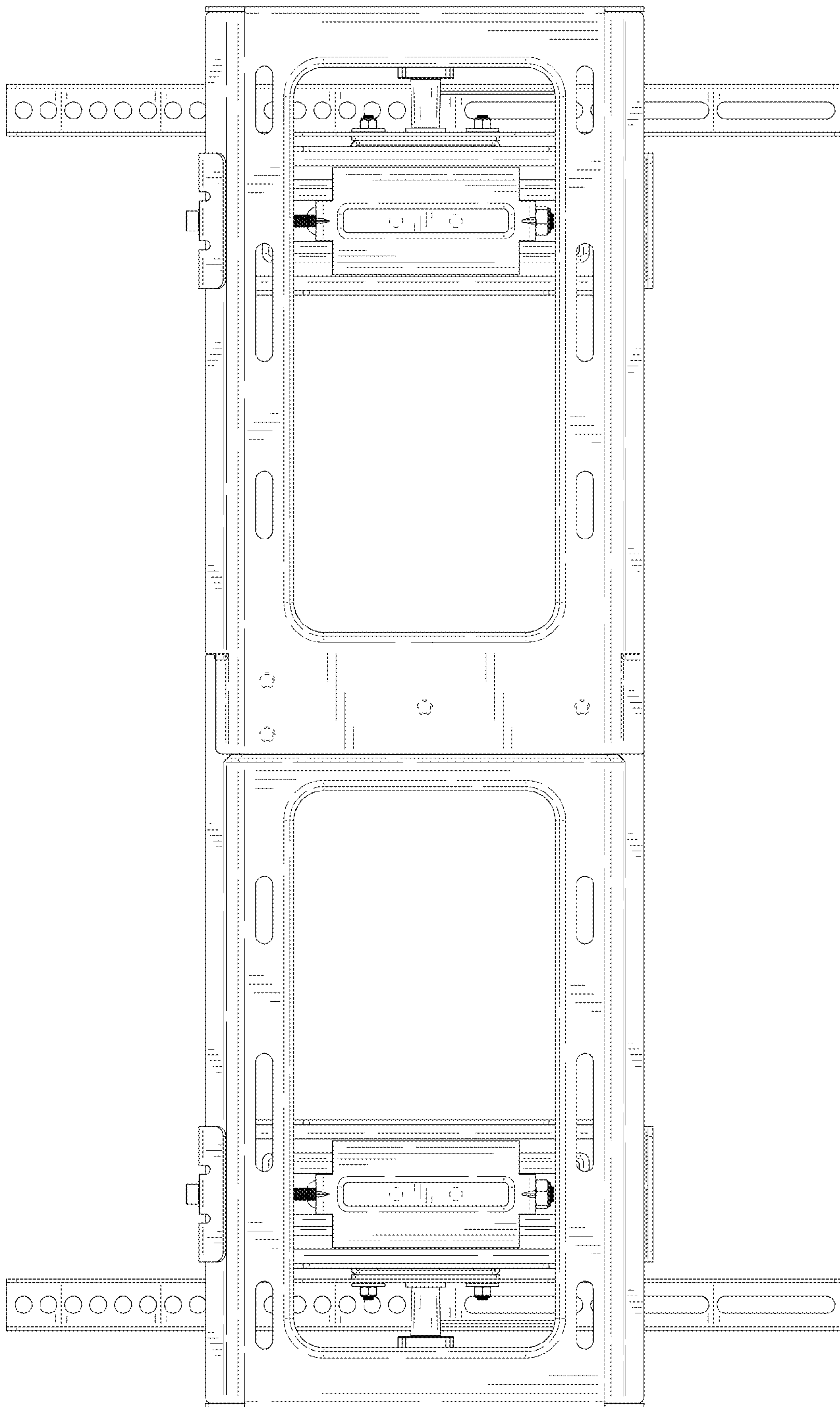


FIG. 3

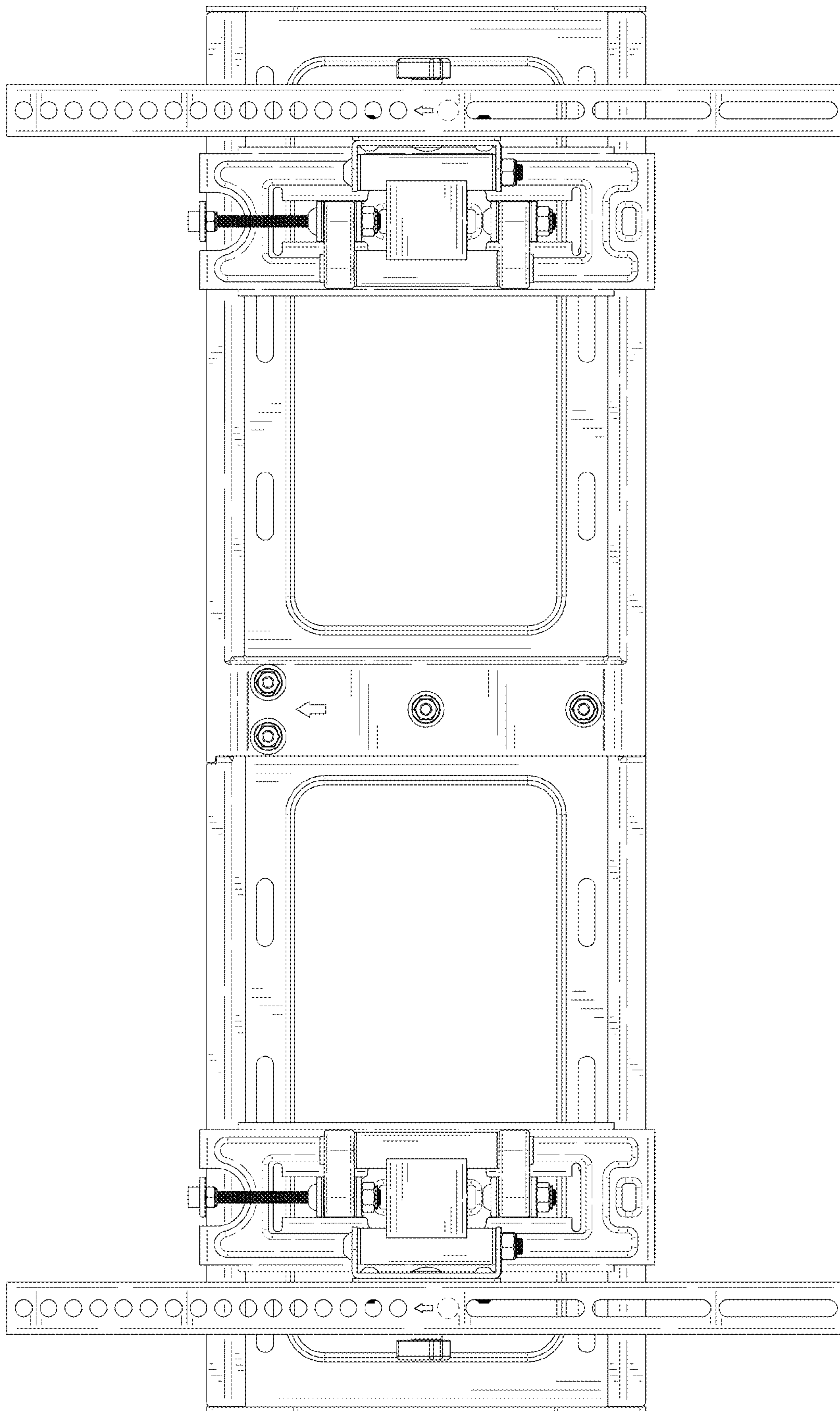


FIG. 4

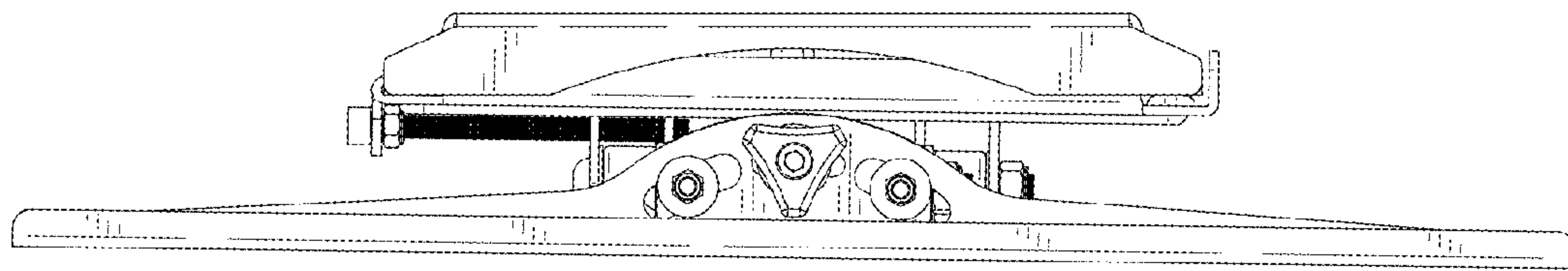


FIG. 5

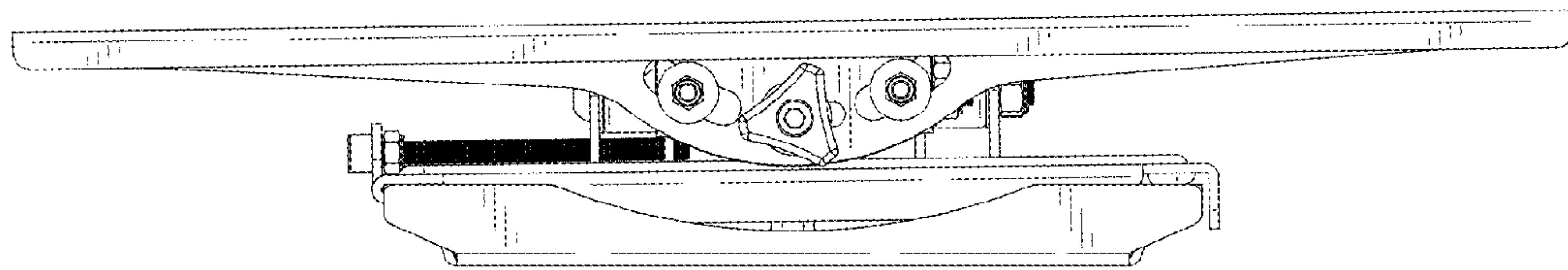


FIG. 6



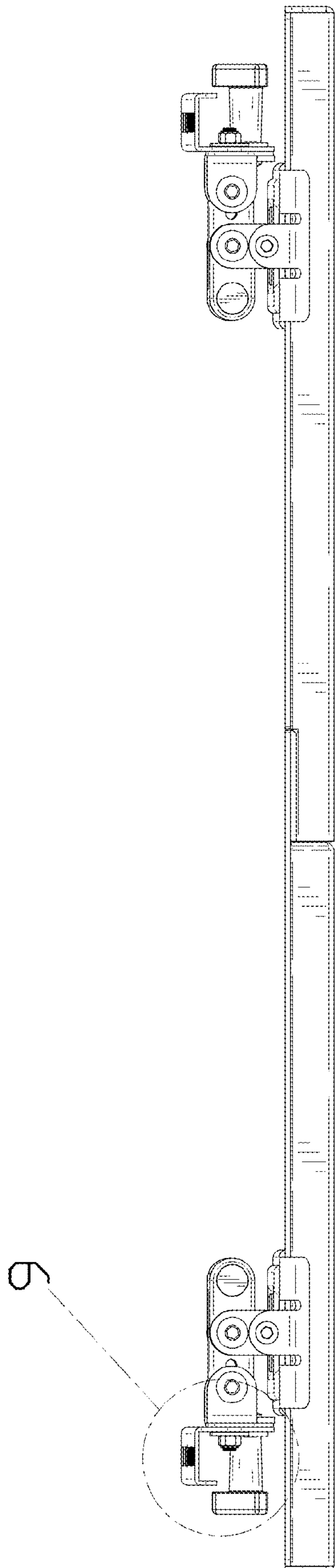


FIG. 7

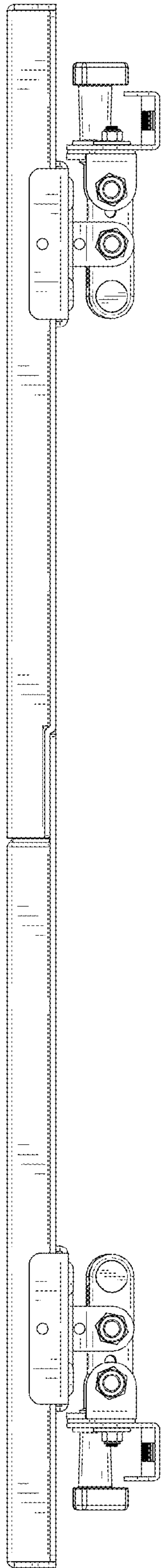


FIG. 8

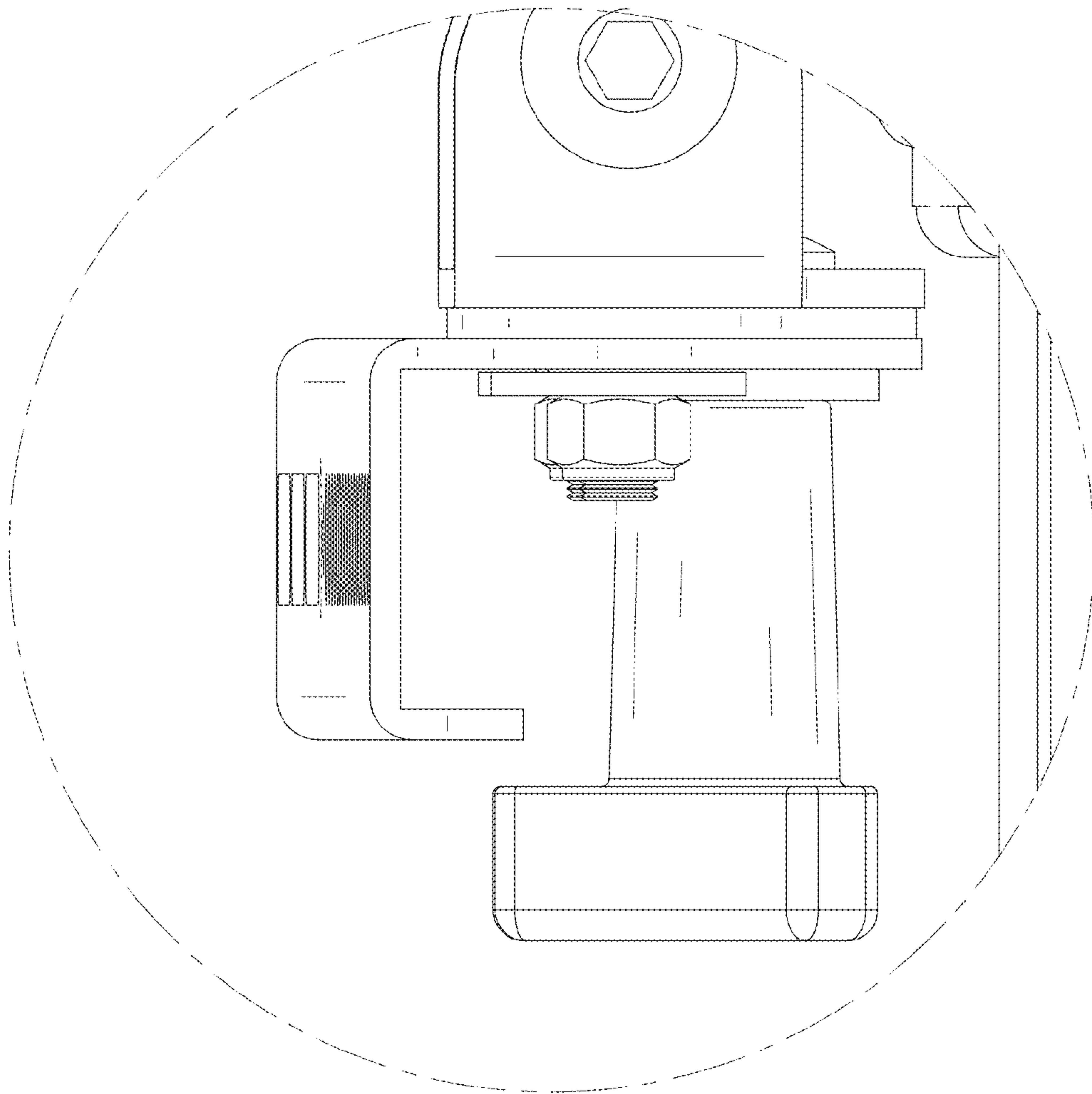


FIG. 9