



US00D918188S

(12) **United States Design Patent** (10) **Patent No.:** **US D918,188 S**
Liu (45) **Date of Patent:** **** May 4, 2021**

(54) **MOUNTING BRACKET FOR GPS ANTENNA**

(71) Applicant: **Boyuan Liu**, Jiangsu (CN)

(72) Inventor: **Boyuan Liu**, Jiangsu (CN)

(73) Assignee: **BYM Industrial Products Co., Ltd**,
Jiangsu (CN)

(**) Term: **15 Years**

(21) Appl. No.: **29/745,427**

(22) Filed: **Aug. 6, 2020**

(51) **LOC (13) Cl.** **14-03**

(52) **U.S. Cl.**
USPC **D14/238**

(58) **Field of Classification Search**
USPC D14/230–238, 299, 358; D8/353, 354,
D8/363, 381, 373
CPC F16C 11/04; H01Q 1/12
See application file for complete search history.

(56) **References Cited**

U.S. PATENT DOCUMENTS

| | | | | |
|--------------|---------|----------------|-------|---------|
| D230,607 S * | 3/1974 | Martin | | D14/238 |
| D246,585 S * | 12/1977 | Parduhn | | D14/238 |
| D248,026 S * | 5/1978 | Gostomski | | 343/715 |
| D249,517 S * | 9/1978 | Parduhn | | 343/715 |
| D361,068 S | 8/1995 | Brehmer et al. | | |
| D486,554 S | 2/2004 | Nien | | |

| | | | | |
|-------------------|---------|-------------------|-------|------------------------|
| D538,610 S | 3/2007 | Bryant | | |
| D581,912 S | 12/2008 | Blair, Jr. | | |
| D581,913 S | 12/2008 | Blair, Jr. | | |
| D604,281 S | 11/2009 | Kang et al. | | |
| D743,952 S * | 11/2015 | Venghaus | | D14/238 |
| D831,014 S * | 10/2018 | Delibie | | D14/242 |
| D855,439 S | 8/2019 | Schmonsees et al. | | |
| 2010/0025559 A1 * | 2/2010 | Rathbone | | H01Q 1/1228 248/534 |
| 2017/0288292 A1 * | 10/2017 | Renilson | | H01Q 3/08 |

* cited by examiner

Primary Examiner — Keli L Hill

Assistant Examiner — Harold E Blackwell, II

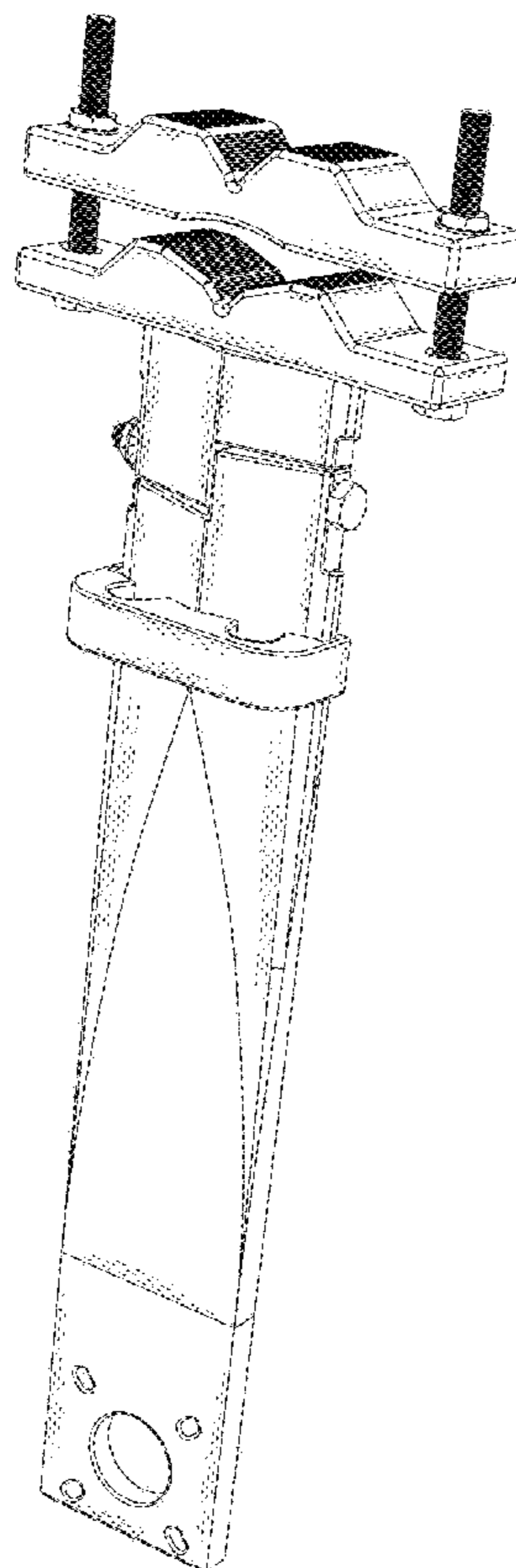
(57) **CLAIM**

The ornamental design for a mounting bracket for GPS antenna, as shown and described.

DESCRIPTION

FIG. 1 is a perspective view of a mounting bracket for GPS antenna showing my new design;
FIG. 2 is a front elevation view thereof;
FIG. 3 is a rear elevation view thereof;
FIG. 4 is a left side elevation view thereof;
FIG. 5 is a right side elevation view thereof;
FIG. 6 is a top plan view thereof;
FIG. 7 is a bottom plan view thereof;
FIG. 8 is in FIG. 2; and,
FIG. 9 is in FIG. 3.

1 Claim, 9 Drawing Sheets



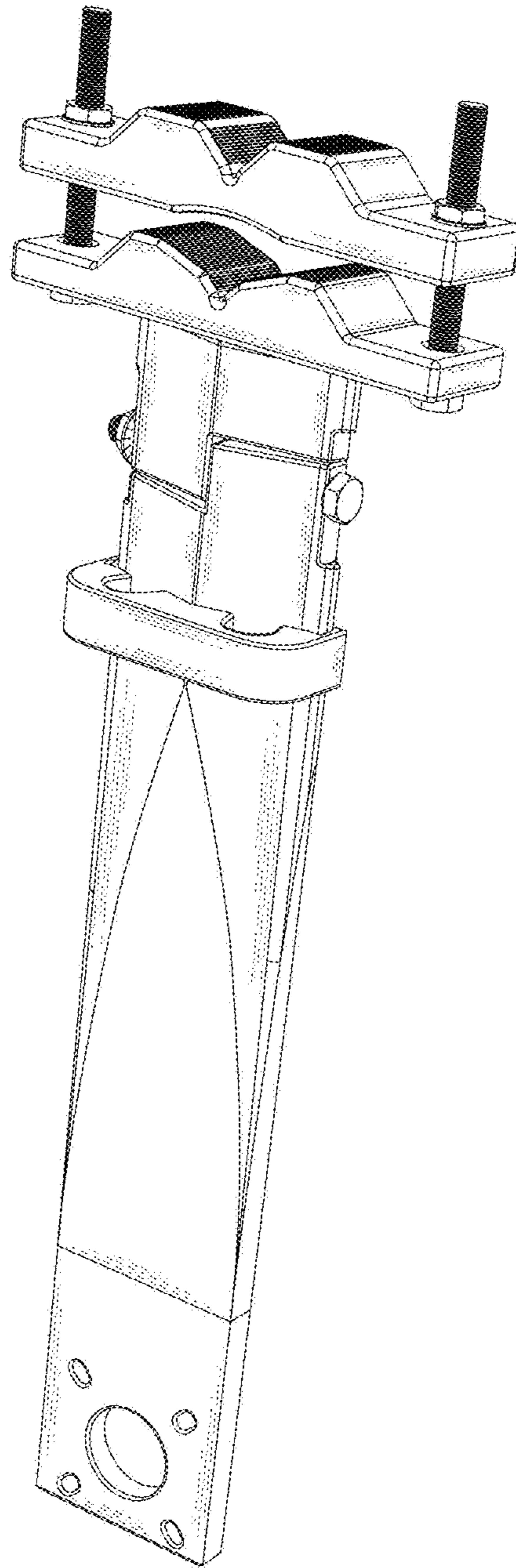


FIG. 1

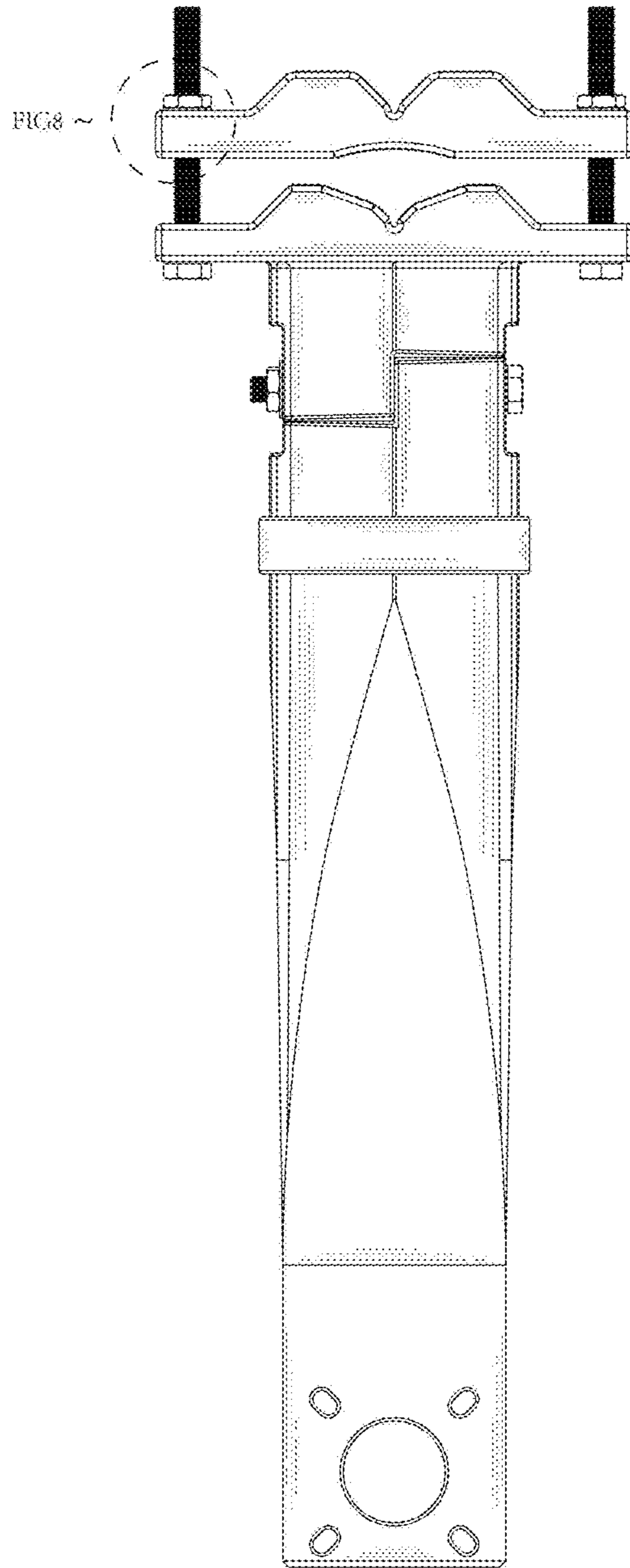


FIG. 2

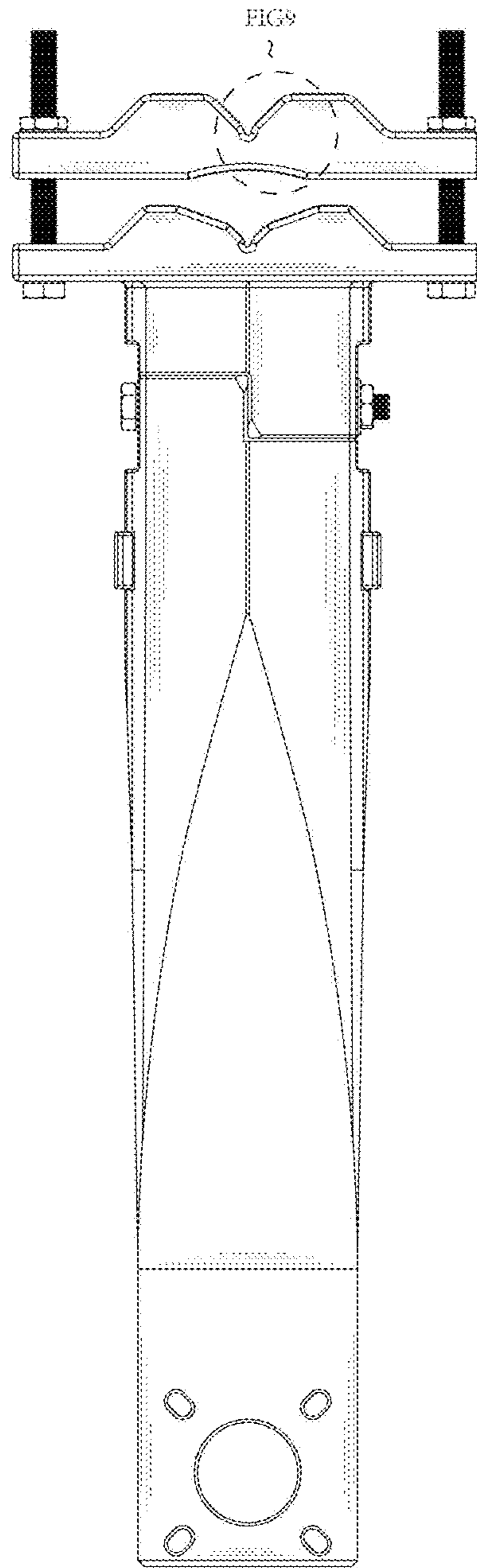


FIG. 3

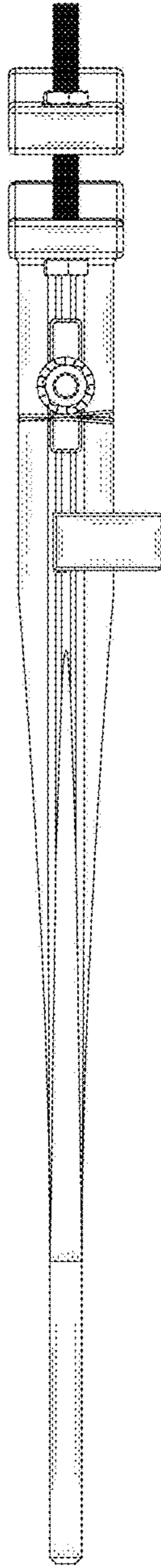


FIG. 4

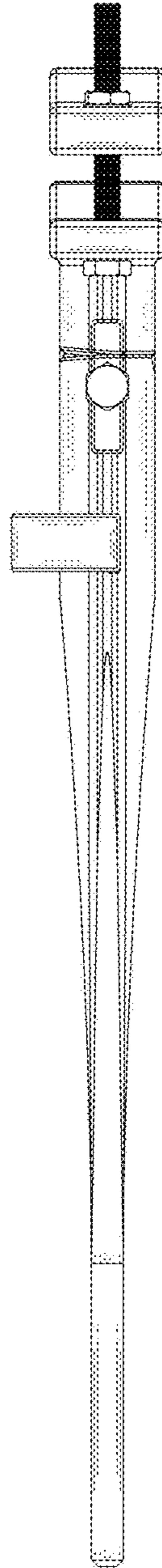


FIG. 5

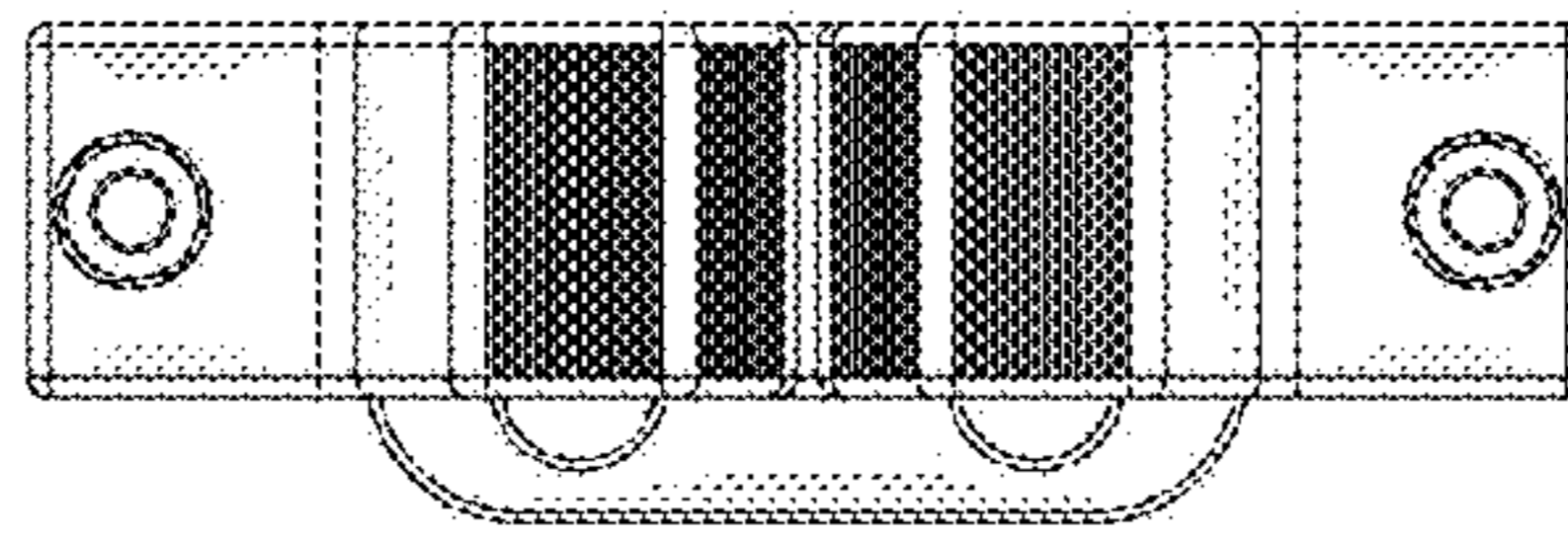


FIG. 6

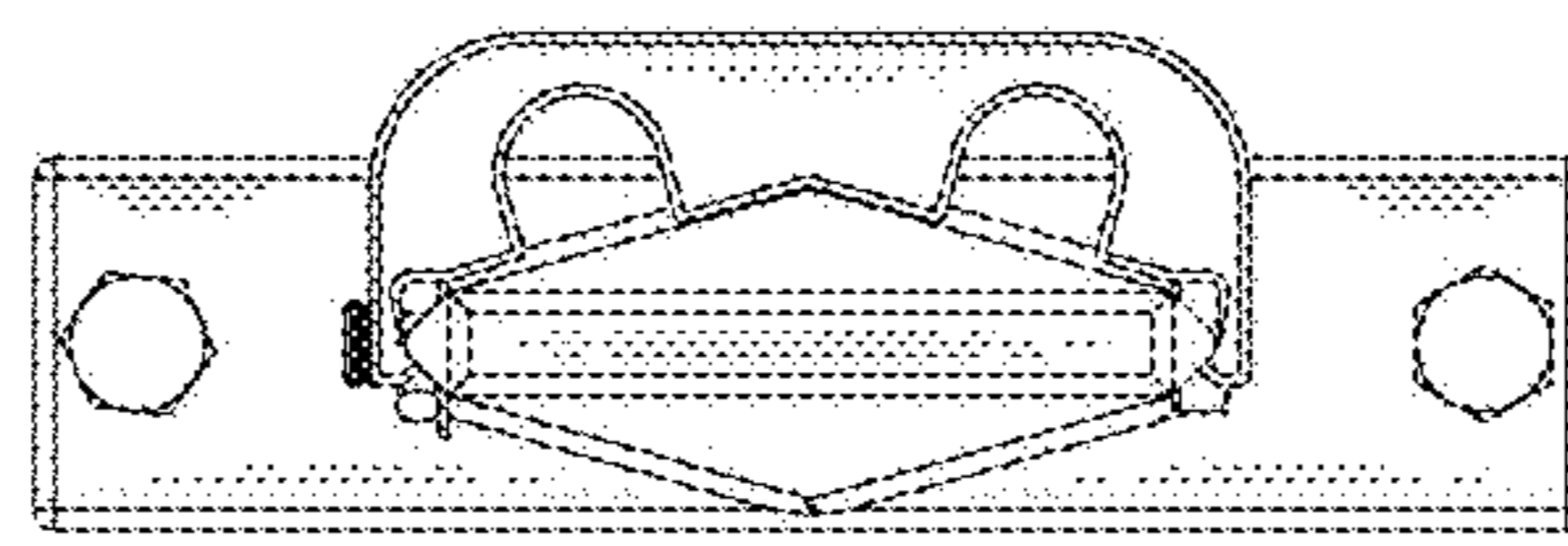


FIG. 7

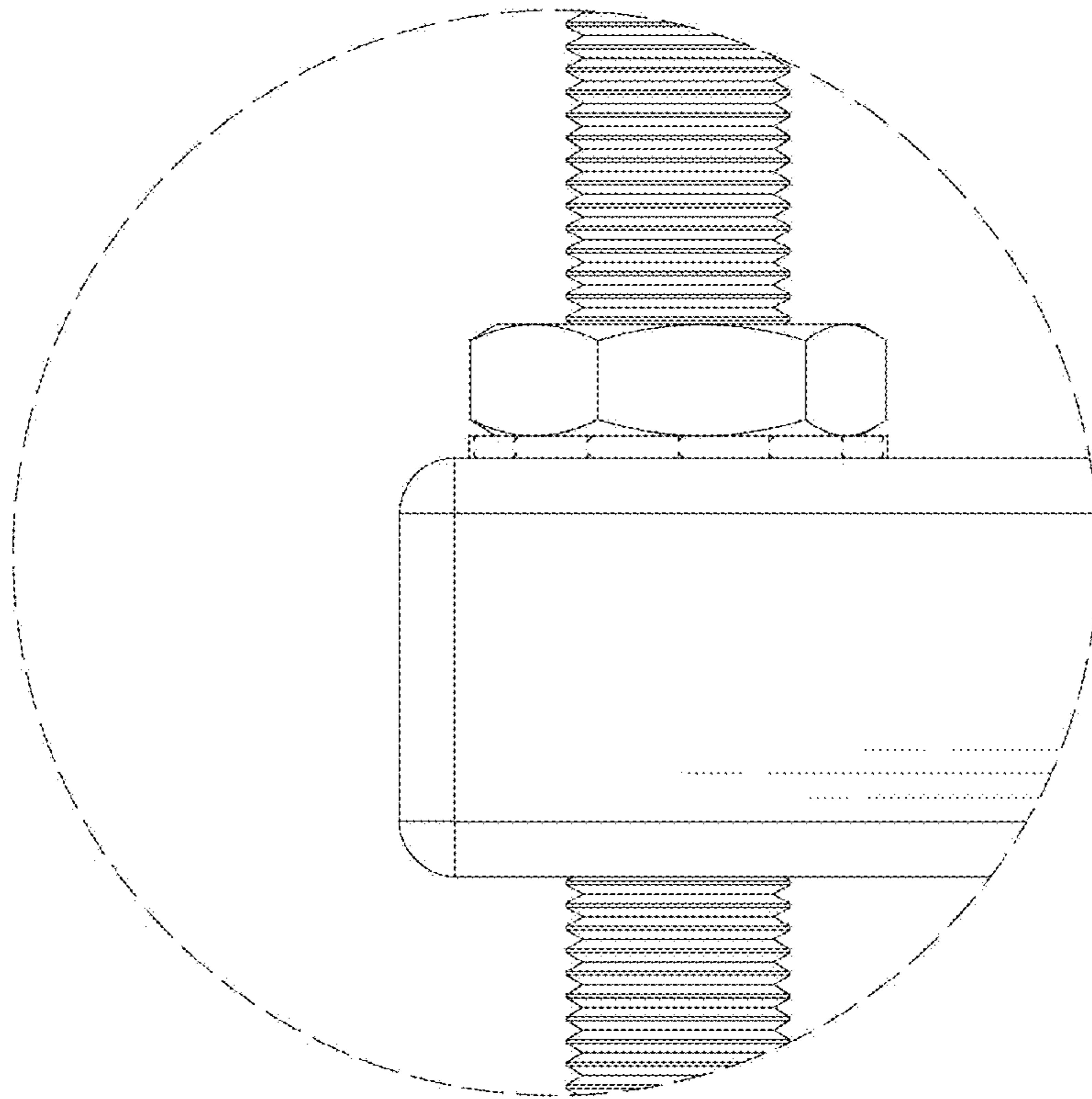


FIG. 8

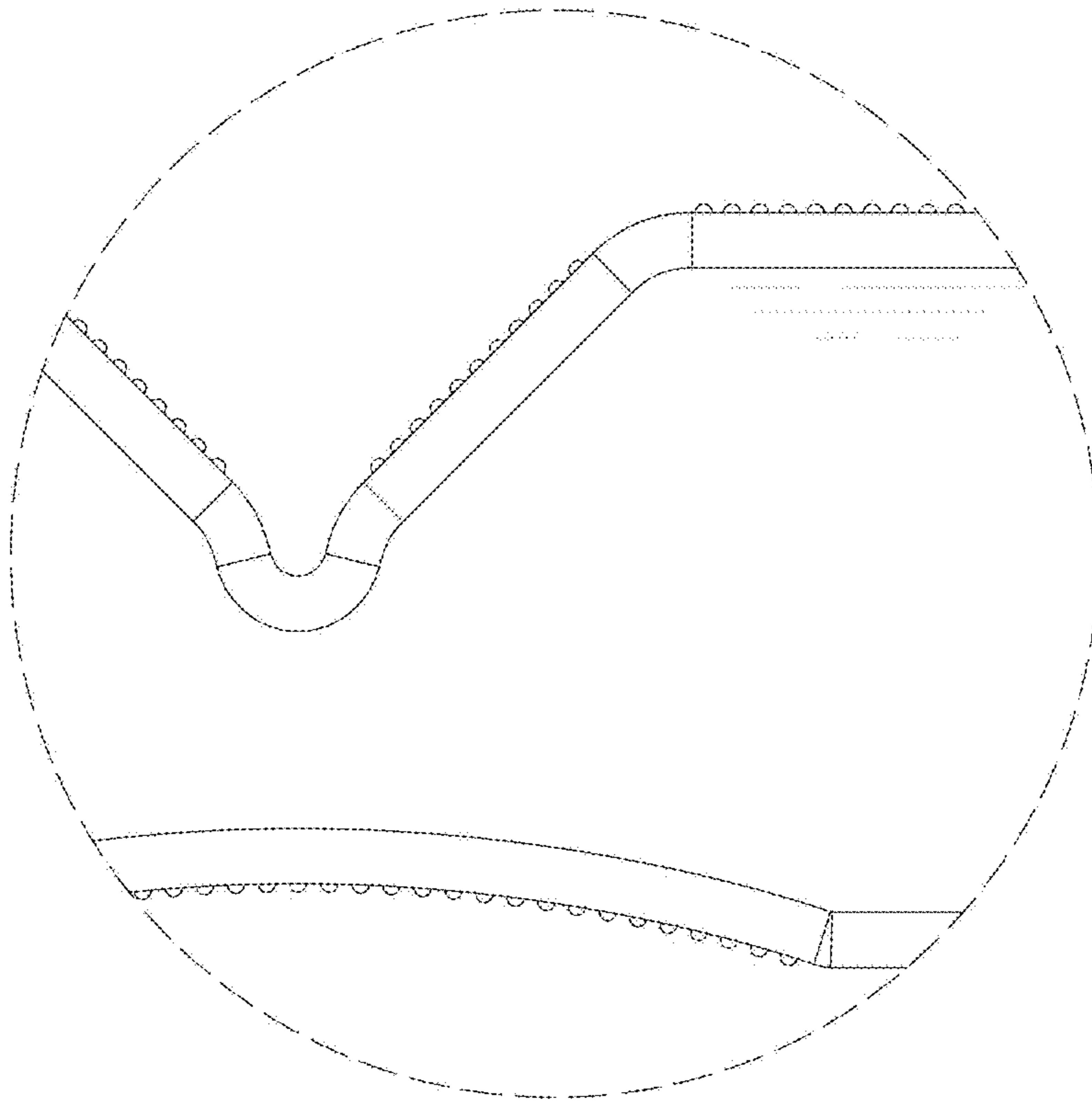


FIG. 9