



US00D918186S

(12) **United States Design Patent**
Mai

(10) **Patent No.:** **US D918,186 S**
(45) **Date of Patent:** **** May 4, 2021**

(54) **MICROPHONE**

(71) Applicant: **SHENZHEN XUNWEIJIA TECHNOLOGY DEVELOPMENT CO., LTD.**, Shenzhen (CN)

(72) Inventor: **Qibin Mai**, Shenzhen (CN)

(73) Assignee: **SHENZHEN XUNWEIJIA TECHNOLOGY DEVELOPMENT CO., LTD.**, Shenzhen (CN)

(**) Term: **15 Years**

(21) Appl. No.: **29/741,108**

(22) Filed: **Jul. 9, 2020**

(51) **LOC (13) Cl.** **14-01**

(52) **U.S. Cl.**
USPC **D14/227; D14/229**

(58) **Field of Classification Search**
USPC D14/227, 229, 225, 228, 226, 497, 155, D14/240, 243, 256, 140, 452, 252, 251; D10/104.1; D13/108, 110; 181/158; 381/355, 361, 113, 191, 357, 174, 362; D21/483; 248/411, 278.1, 184.1, 558, 248/222.13, 917, 185.1, 206.5; D6/513, D6/716.8, 574; D8/355; D16/214, 131, D16/130, 135; 379/454; 224/553; 403/61, 55

CPC H04R 9/08; H04R 19/02; H04R 19/04; H04R 19/06; H04R 25/00; H04R 11/04; H04R 3/00; H04R 1/08; H04R 1/20; H04R 1/02; H04R 1/086; A47F 5/00; F16M 11/00; F16M 13/02
See application file for complete search history.

(56) **References Cited**

U.S. PATENT DOCUMENTS

1,680,560 A * 8/1928 McDonald F21V 21/26 403/55
1,988,001 A * 1/1935 Flanders H04R 1/083 381/113

2,081,622 A * 5/1937 Foster H04R 1/08 381/361
2,123,103 A * 7/1938 Fischel H01R 39/00 439/23
2,156,367 A * 5/1939 Zadek F16M 11/10 403/93
2,459,040 A * 1/1949 Miller F16M 11/10 248/183.1
2,459,785 A * 1/1949 Allerton F16B 7/1427 248/412

(Continued)

FOREIGN PATENT DOCUMENTS

CN 302164904 * 11/2012
CN 306149396 * 11/2020

(Continued)

Primary Examiner — Paula Allen Greene

(74) *Attorney, Agent, or Firm* — Law Offices of Steven W. Weinrieb

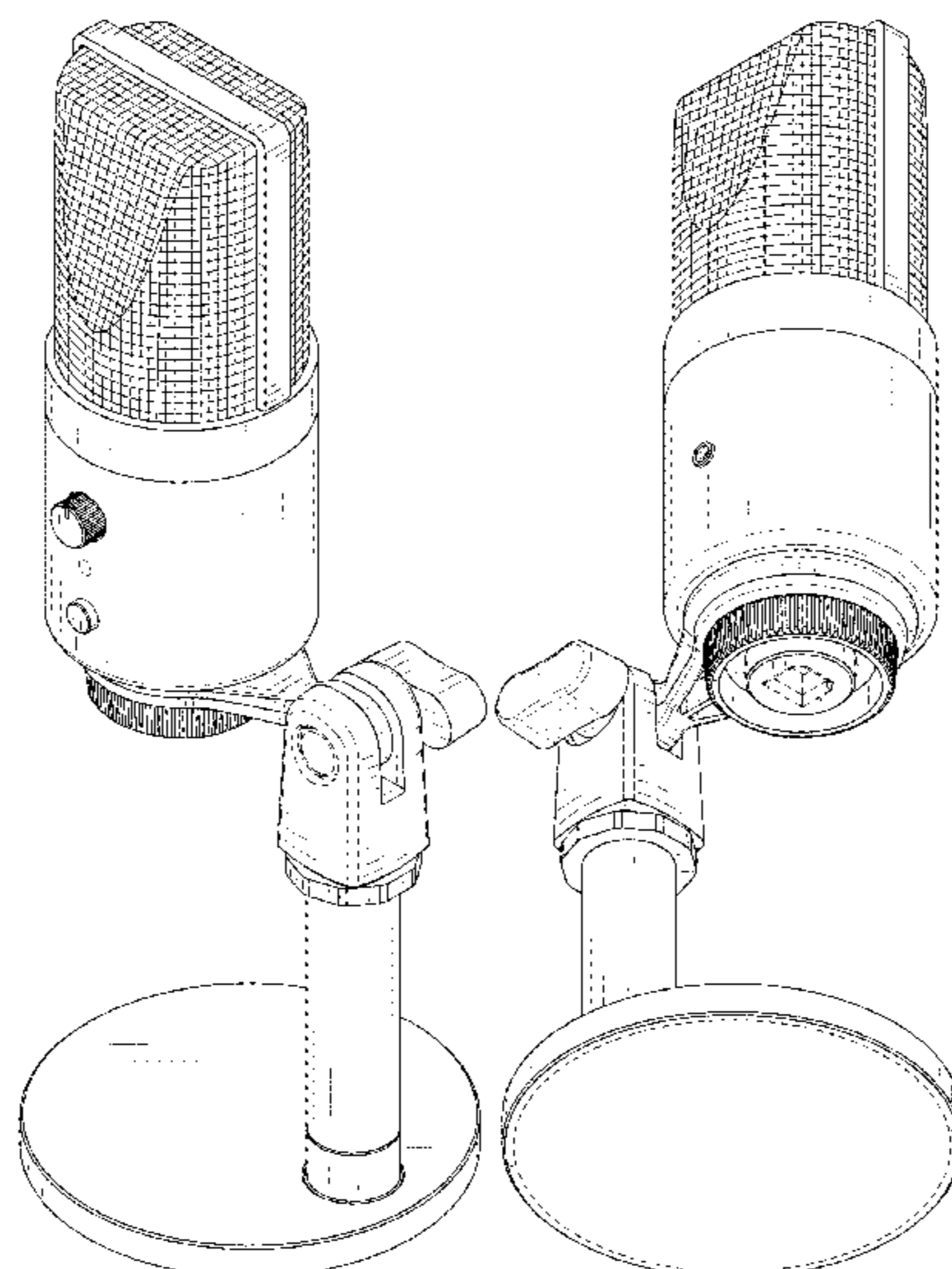
(57) **CLAIM**

The ornamental design for a microphone, as shown and described.

DESCRIPTION

FIG. 1 is a front, right side, top perspective view of a microphone showing my new design; FIG. 2 is a rear, left side, bottom perspective view thereof; FIG. 3 is a front elevational view thereof; FIG. 4 is a rear elevational view thereof; FIG. 5 is a left side elevational view thereof; FIG. 6 is a right side elevational view thereof; FIG. 7 is a top plan view thereof; and, FIG. 8 is a bottom plan view thereof. The broken lines depict portions of the microphone that form no part of the claimed design.

1 Claim, 8 Drawing Sheets



(56)

References Cited

U.S. PATENT DOCUMENTS

D864,921 S * 10/2019 Mai D14/227
 D864,922 S * 10/2019 Mai D14/227
 D868,754 S * 12/2019 Chou D14/225
 D881,168 S * 4/2020 Chen D14/228
 D889,442 S * 7/2020 Bovin D14/228
 D890,141 S * 7/2020 Chen D14/228
 D890,732 S * 7/2020 Chen D14/227
 D892,090 S * 8/2020 Xiang D14/228
 D895,583 S * 9/2020 Smith D14/227
 D898,001 S * 10/2020 Chen D14/228
 D898,771 S * 10/2020 You D14/497
 D905,023 S * 12/2020 Renwick D14/227
 2003/0179898 A1 * 9/2003 Chen H04R 1/08
 381/355
 2005/0056751 A1 * 3/2005 Slatter A01K 91/08
 248/288.11
 2006/0002576 A1 * 1/2006 Akino H04R 1/021
 381/361

2007/0012825 A1 * 1/2007 Yeh F16M 11/105
 248/122.1
 2008/0061199 A1 * 3/2008 Chen F16M 11/2064
 248/205.8
 2008/0152174 A1 * 6/2008 Marshall H04R 19/04
 381/172
 2010/0208929 A1 * 8/2010 Heil H04R 11/04
 381/355
 2010/0237206 A1 * 9/2010 Barker G03B 17/561
 248/206.5
 2011/0044477 A1 * 2/2011 Huang H04R 1/083
 381/122
 2014/0071339 A1 * 3/2014 Baker G03B 17/48
 348/373
 2017/0149121 A1 * 5/2017 Zachara H01Q 11/08

FOREIGN PATENT DOCUMENTS

CN 306203680 * 12/2020
 CN 306216876 * 12/2020

* cited by examiner

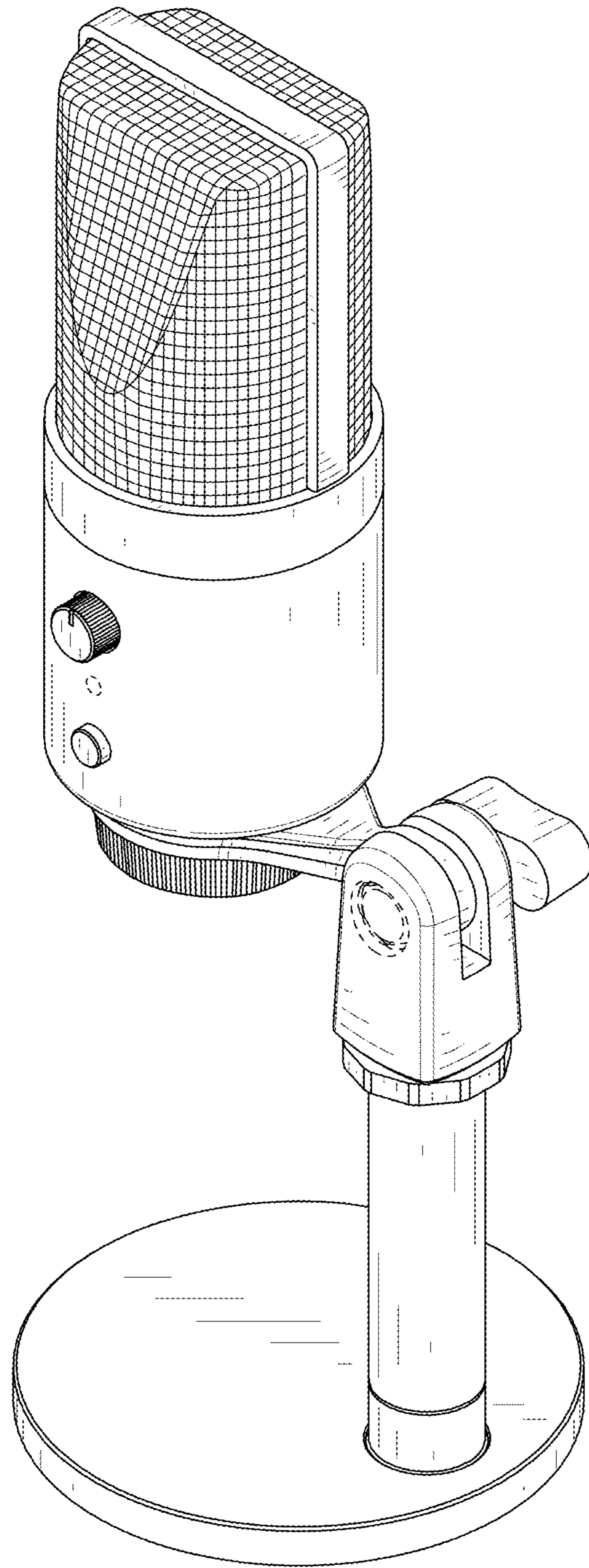


FIG. 1

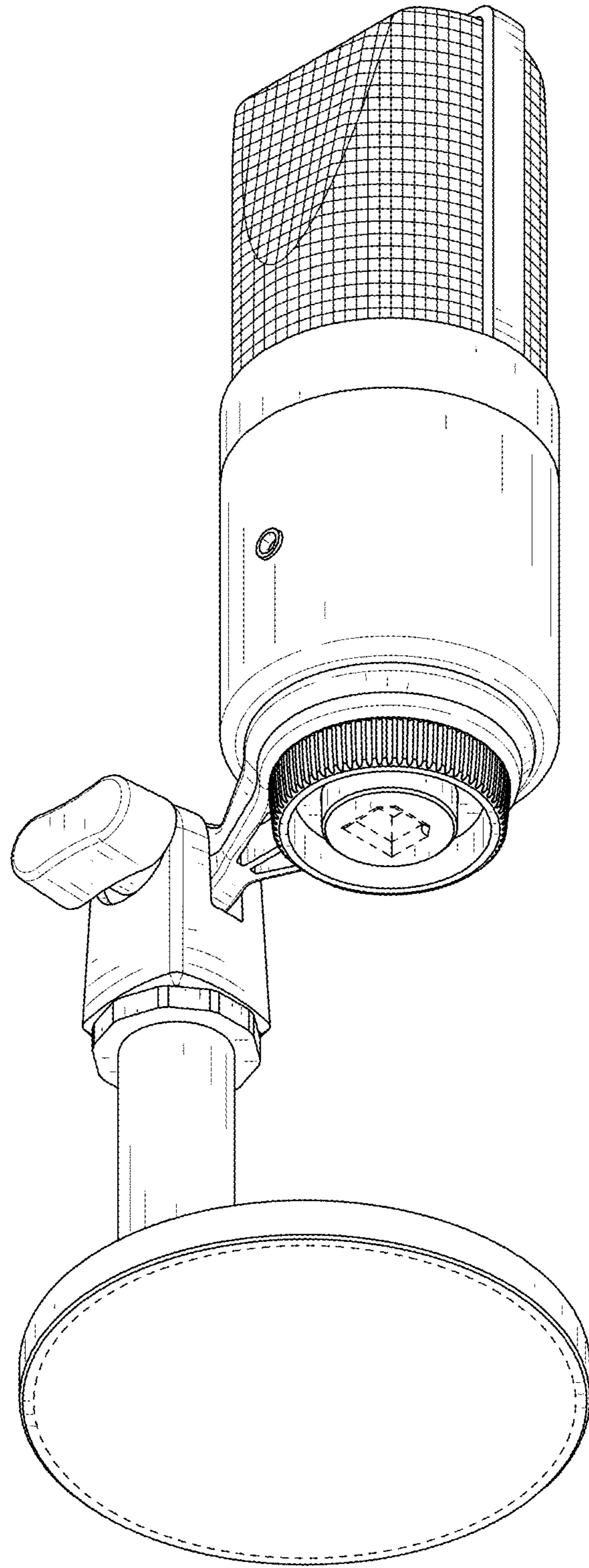


FIG. 2

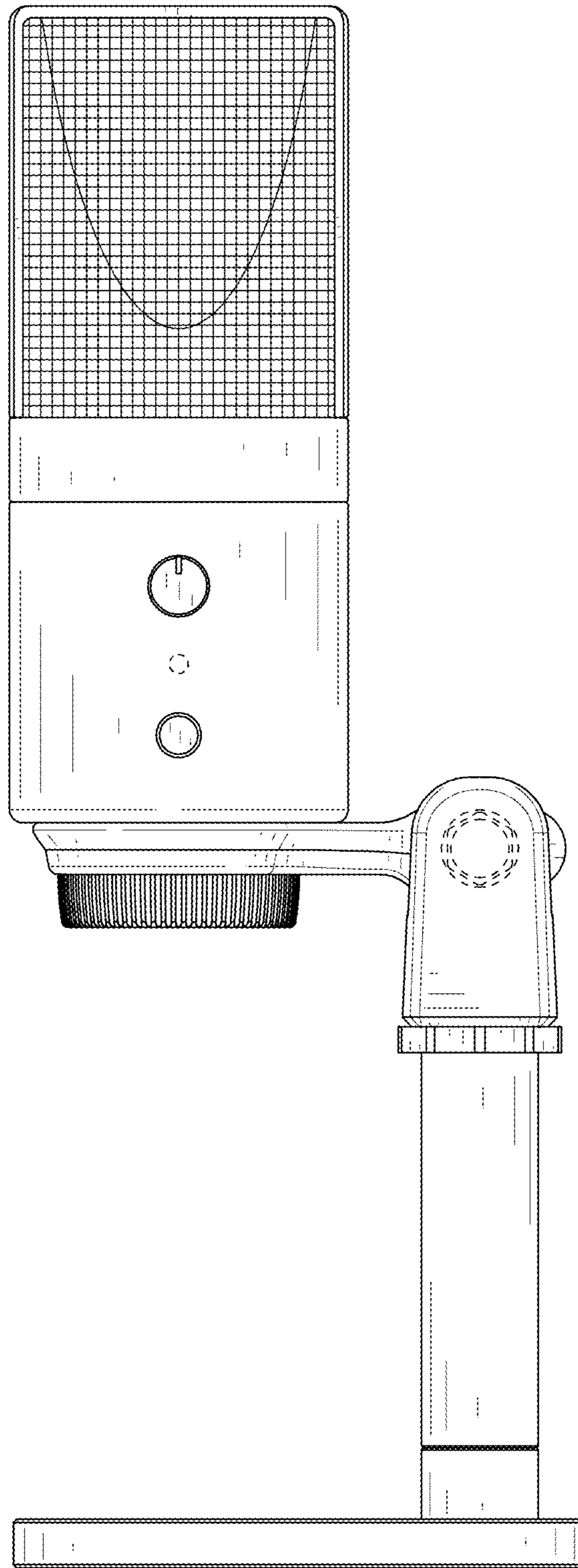


FIG. 3

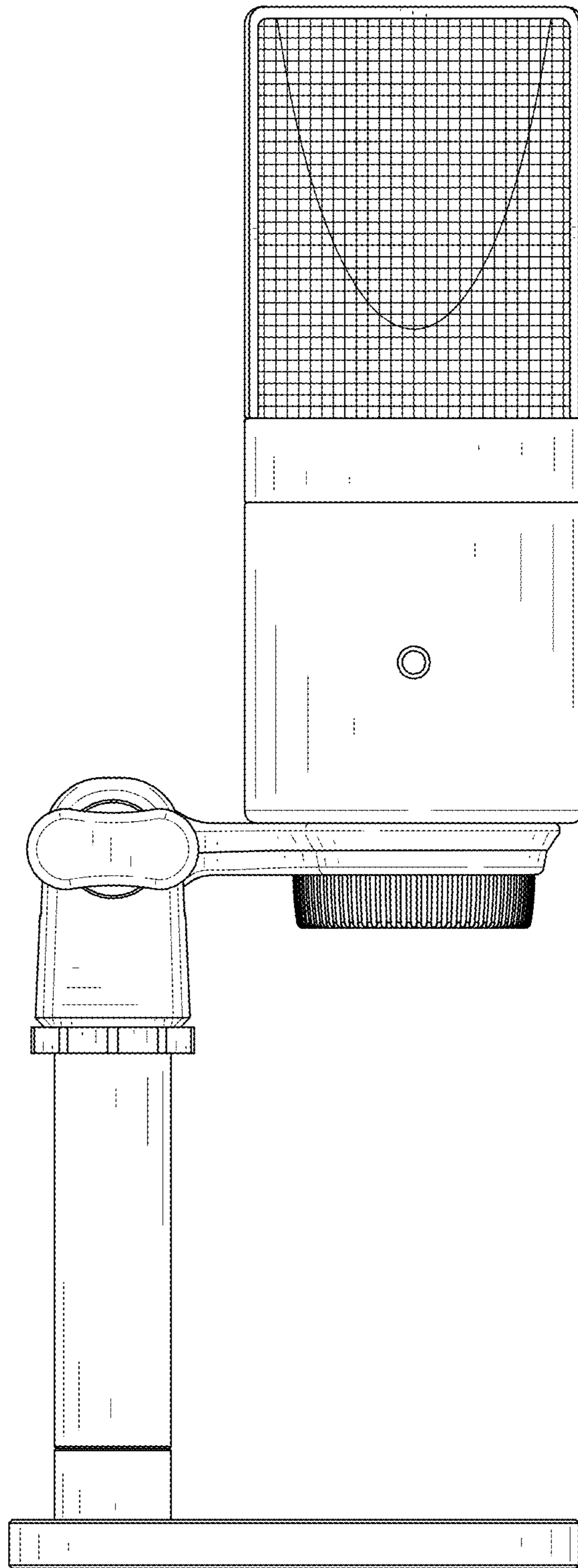


FIG. 4

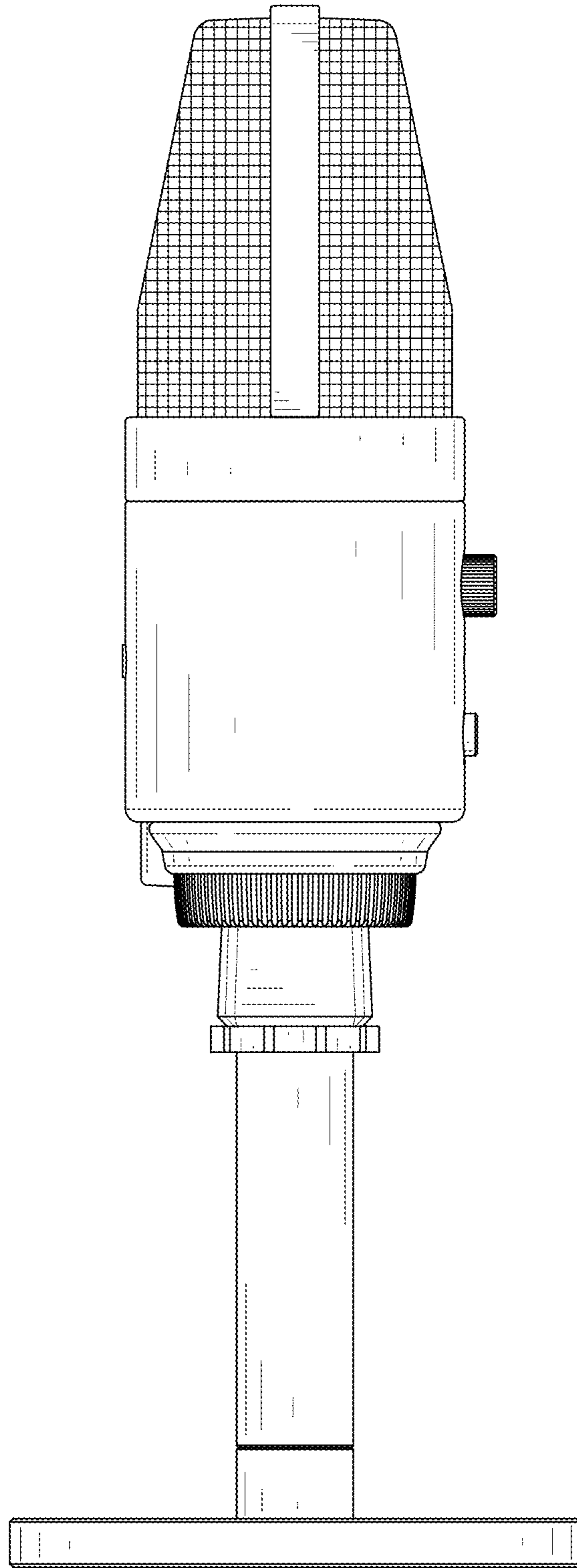


FIG. 5

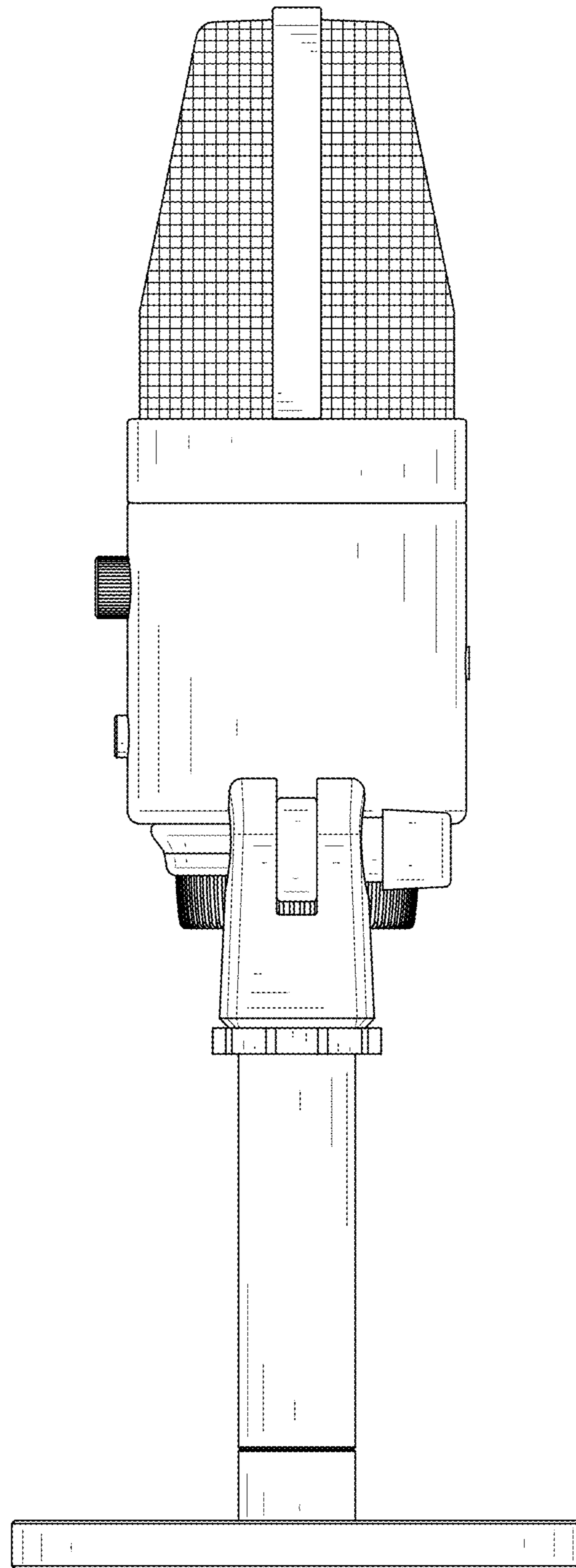


FIG. 6

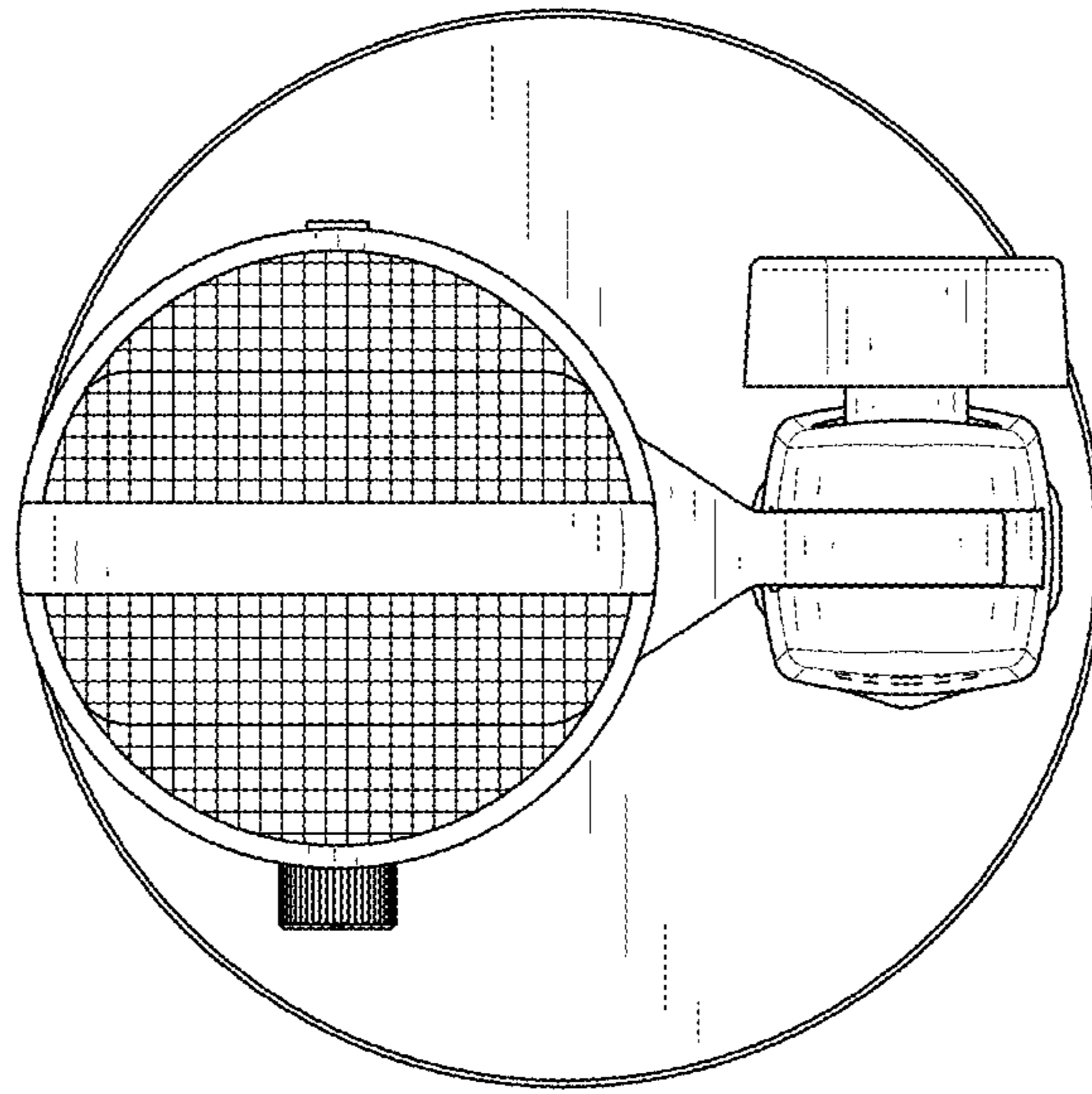


FIG. 7

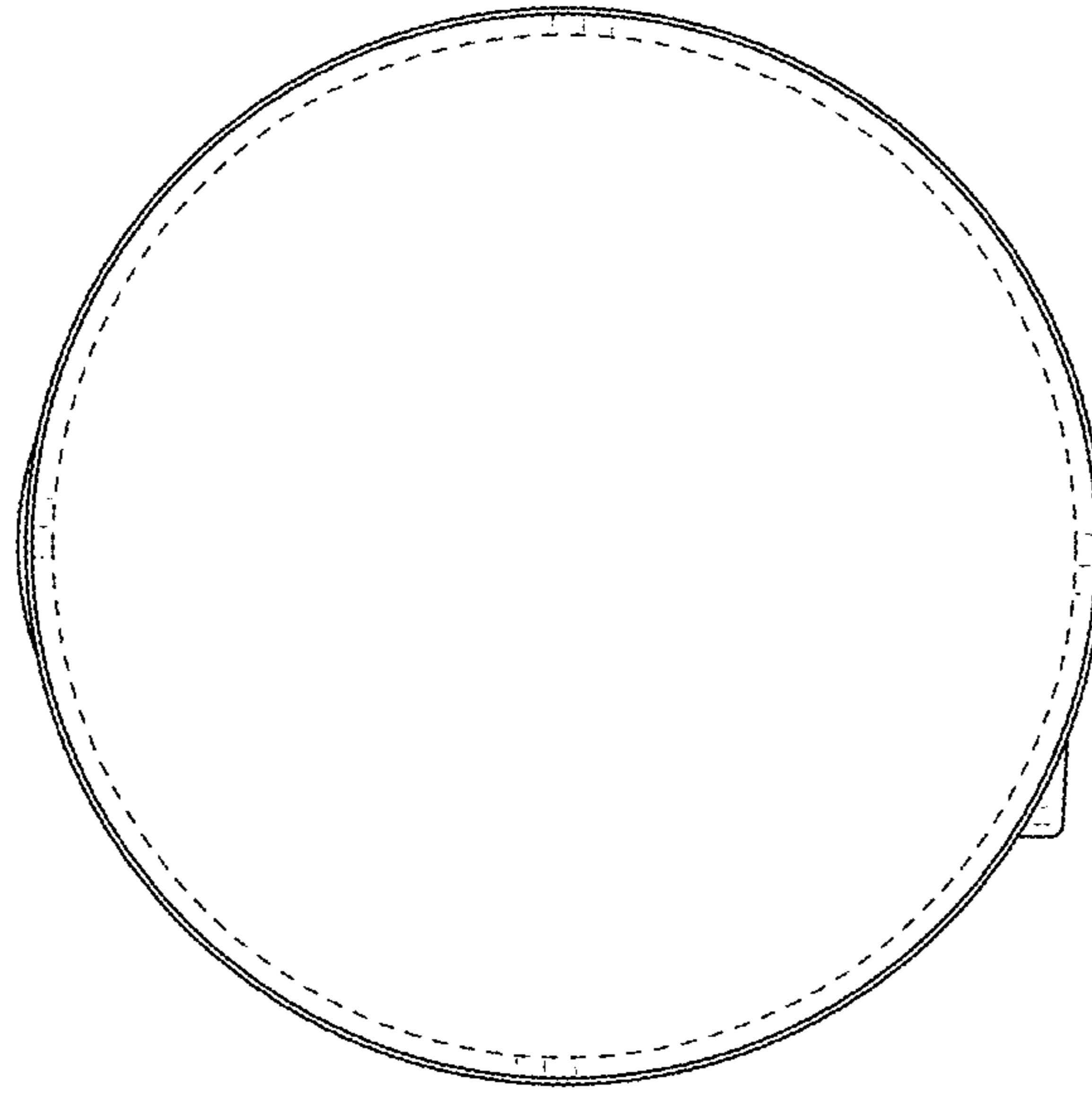


FIG. 8