



US00D918184S

(12) **United States Design Patent**  
**Xiang**

(10) **Patent No.:** **US D918,184 S**

(45) **Date of Patent:** **\*\* May 4, 2021**

- (54) **MICROPHONE**
- (71) Applicant: **ZHAOQING HEJIA ELECTRONICS CO., LTD.**, Zhaoqing (CN)
- (72) Inventor: **Yong Xiang**, Zhaoqing (CN)
- (73) Assignee: **ZHAOQING HEJIA ELECTRONICS, CO., LTD.**, Zhaoqing (CN)

- 2,920,140 A \* 1/1960 Morgan ..... H04R 19/04  
381/113
- 3,007,012 A \* 10/1961 Olson ..... H04R 19/04  
381/357
- D220,108 S \* 3/1971 Van de Poel ..... D14/228
- 3,718,862 A \* 2/1973 Norris ..... H04B 5/06  
455/95
- D239,290 S \* 3/1976 Saito et al. .... D14/225
- D247,706 S \* 4/1978 Armstrong ..... D14/228
- 4,344,184 A \* 8/1982 Edwards ..... H04B 1/04  
343/702
- 4,600,077 A \* 7/1986 Drever ..... H04R 1/086  
181/158

(\*\*) Term: **15 Years**

(Continued)

- (21) Appl. No.: **29/740,536**
- (22) Filed: **Jul. 6, 2020**
- (51) **LOC (13) Cl.** ..... **14-01**
- (52) **U.S. Cl.**  
USPC ..... **D14/225**; D14/228
- (58) **Field of Classification Search**  
USPC ..... D14/225, 228, 226, 229, 497, 155, 240,  
D14/243, 256, 140; D10/104.1;  
D13/108, 110; 181/158; D21/483;  
381/355, 361, 113, 191, 357, 174, 362  
CPC ..... H04R 9/08; H04R 19/02; H04R 19/04;  
H04R 25/00; H04R 11/04; H04R 3/00;  
H04R 1/08; H04R 1/20; H04R 1/02;  
H04R 1/1086; H04R 1/1023  
See application file for complete search history.

**FOREIGN PATENT DOCUMENTS**

- CN 306161817 \* 11/2020
- CN 306196602 \* 11/2020
- CN 306216876 \* 12/2020

*Primary Examiner* — Paula Allen Greene

(74) *Attorney, Agent, or Firm* — Law Offices of Steven W. Weinrieb

(57) **CLAIM**

The ornamental design for a microphone, as shown and described.

**DESCRIPTION**

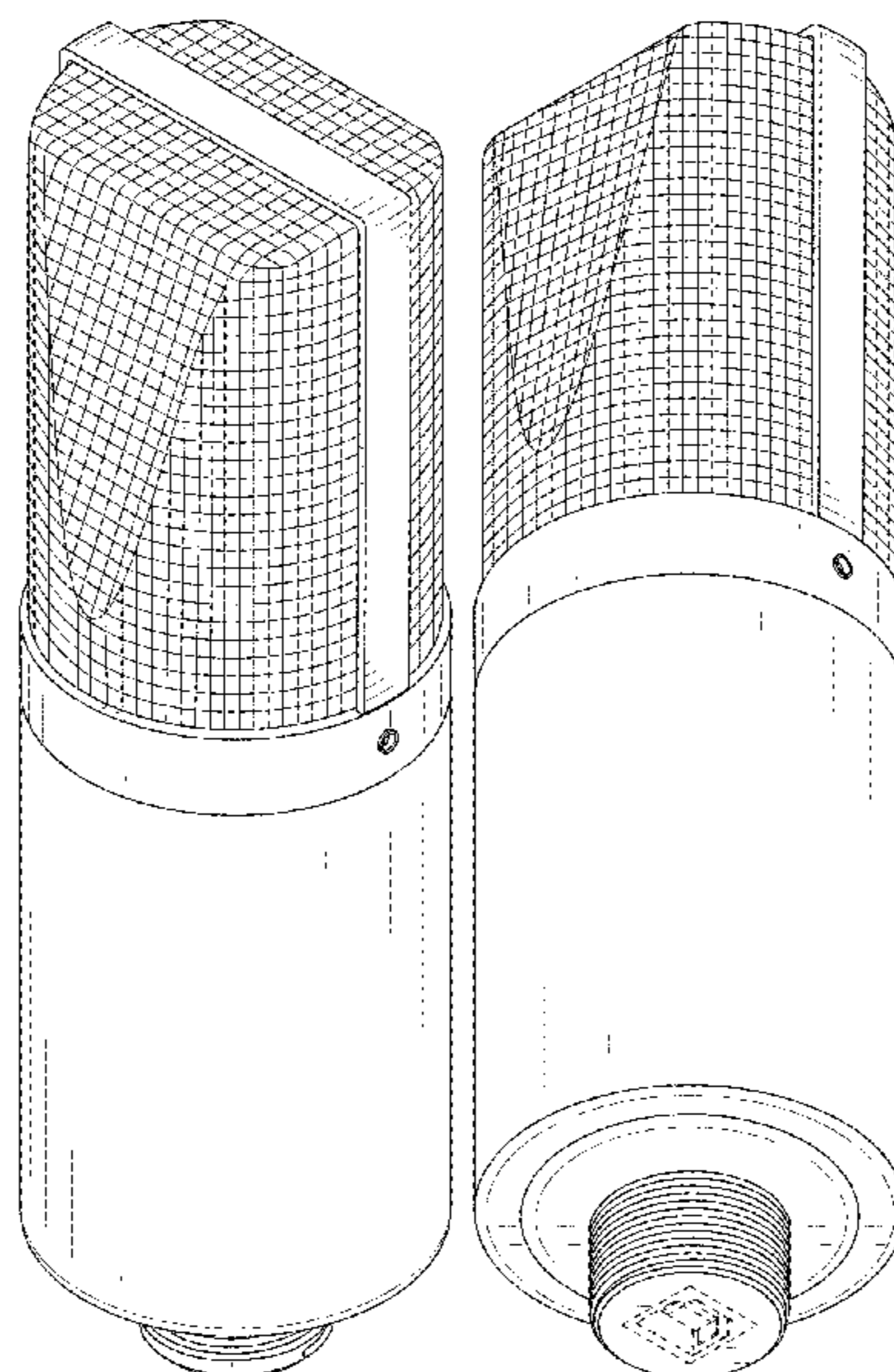
FIG. 1 is a front, right side, top perspective view of a microphone showing my new design;  
 FIG. 2 is a rear, left side, bottom perspective view thereof;  
 FIG. 3 is a front elevational view thereof;  
 FIG. 4 is a rear elevational view thereof;  
 FIG. 5 is a left side elevational view thereof;  
 FIG. 6 is a right side elevational view thereof;  
 FIG. 7 is a top plan view thereof; and,  
 FIG. 8 is a bottom plan view thereof.  
 The broken lines depict portions of the microphone that form no part of the claimed design.

**1 Claim, 8 Drawing Sheets**

(56) **References Cited**

**U.S. PATENT DOCUMENTS**

- 1,988,001 A \* 1/1935 Flanders ..... H04R 1/083  
381/113
- 2,081,622 A \* 5/1937 Foster ..... H04R 1/08  
381/361
- 2,567,875 A \* 9/1951 Carrington ..... H04R 1/222  
381/360
- 2,773,933 A \* 12/1956 Hawley ..... H04R 1/406  
381/357



(56)

References Cited

U.S. PATENT DOCUMENTS

4,628,525 A \* 12/1986 Iwahara ..... H04R 1/086  
381/26  
4,789,044 A \* 12/1988 Akino ..... H04R 1/38  
181/158  
4,910,795 A \* 3/1990 McCowen ..... H04R 1/04  
455/95  
D310,368 S \* 9/1990 Derhaag ..... D14/225  
5,357,577 A \* 10/1994 Waji ..... H01J 7/24  
361/704  
D400,540 S \* 11/1998 Cruver, IV ..... D14/228  
6,000,948 A \* 12/1999 Peterson ..... H04R 1/08  
439/22  
D439,852 S \* 4/2001 Hisatsune ..... D10/104.1  
D442,932 S \* 5/2001 Koike ..... D14/155  
D447,131 S \* 8/2001 Hough ..... D14/228  
6,671,382 B2 \* 12/2003 Chen ..... H01R 35/02  
381/189  
D504,126 S \* 4/2005 Saulespurens ..... D14/228  
D516,546 S 3/2006 Sobol  
D551,661 S \* 9/2007 Probst ..... D14/225  
D599,786 S \* 9/2009 Metlen ..... D14/225  
D603,849 S \* 11/2009 Durrett ..... D14/228  
D604,274 S 11/2009 Durrett et al.  
D605,637 S \* 12/2009 Sank ..... D14/225  
D634,307 S \* 3/2011 Arpe ..... D14/228  
D649,139 S \* 11/2011 Waay ..... D14/225  
D708,170 S \* 7/2014 Duek ..... D14/225  
8,848,962 B2 \* 9/2014 Akino ..... H04R 19/04  
381/356

D745,494 S \* 12/2015 Wise ..... D14/227  
D774,494 S \* 12/2016 Sunwoo ..... D14/227  
D791,742 S \* 7/2017 Lai ..... D14/225  
9,877,113 B2 \* 1/2018 Akino ..... H04R 7/122  
D834,004 S \* 11/2018 Chen ..... D14/226  
D834,564 S \* 11/2018 Chen ..... D14/226  
D834,566 S \* 11/2018 Sunwoo ..... D14/227  
D835,612 S \* 12/2018 Tong ..... D14/225  
D849,721 S \* 5/2019 Chen ..... D14/227  
D851,073 S \* 6/2019 Tong ..... D14/227  
D864,921 S \* 10/2019 Mai ..... D14/227  
D864,922 S \* 10/2019 Mai ..... D14/227  
D868,754 S \* 12/2019 Chou ..... D14/225  
D881,168 S \* 4/2020 Chen ..... D14/228  
D889,442 S \* 7/2020 Bovin ..... D14/228  
D890,141 S \* 7/2020 Chen ..... D14/228  
D890,732 S \* 7/2020 Chen ..... D14/227  
D892,090 S \* 8/2020 Xiang ..... D14/228  
D895,583 S \* 9/2020 Smith ..... D14/227  
D898,001 S \* 10/2020 Chen ..... D14/228  
D898,771 S \* 10/2020 You ..... D14/497  
2003/0179898 A1 \* 9/2003 Chen ..... H04R 1/08  
381/355  
2006/0002576 A1 \* 1/2006 Akino ..... H04R 1/021  
381/361  
2008/0152174 A1 \* 6/2008 Marshall ..... H04R 19/04  
381/172  
2010/0208929 A1 \* 8/2010 Heil ..... H04R 11/04  
381/355  
2011/0044477 A1 \* 2/2011 Huang ..... H04R 1/083  
381/122  
2017/0149121 A1 \* 5/2017 Zachara ..... H01Q 11/08

\* cited by examiner

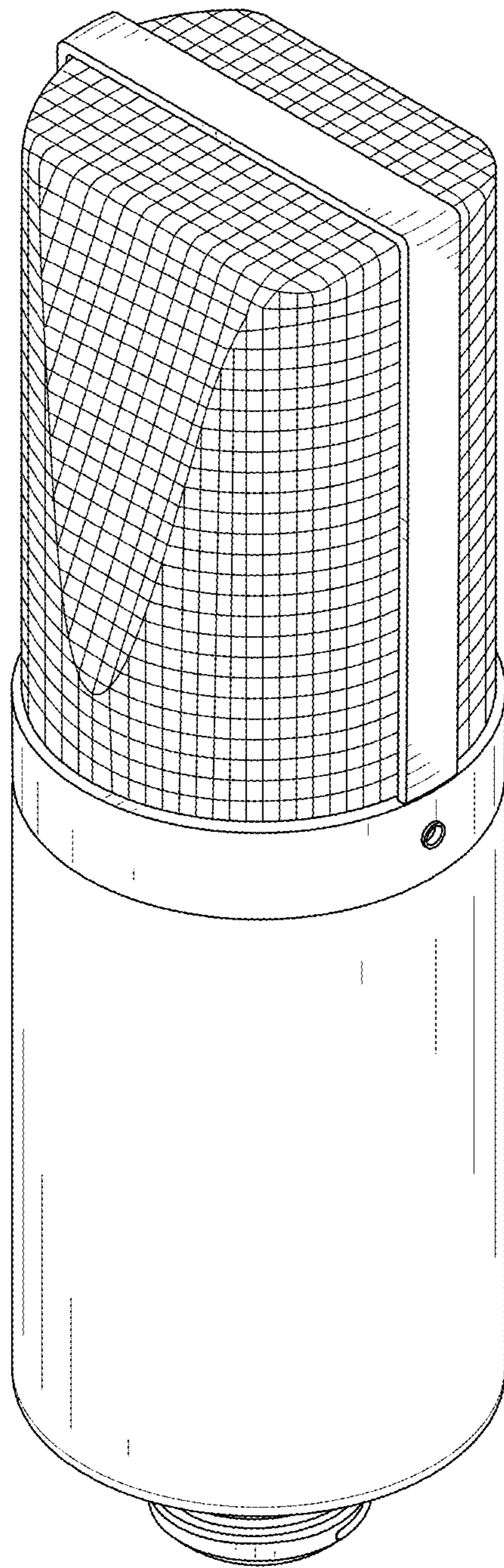


FIG. 1

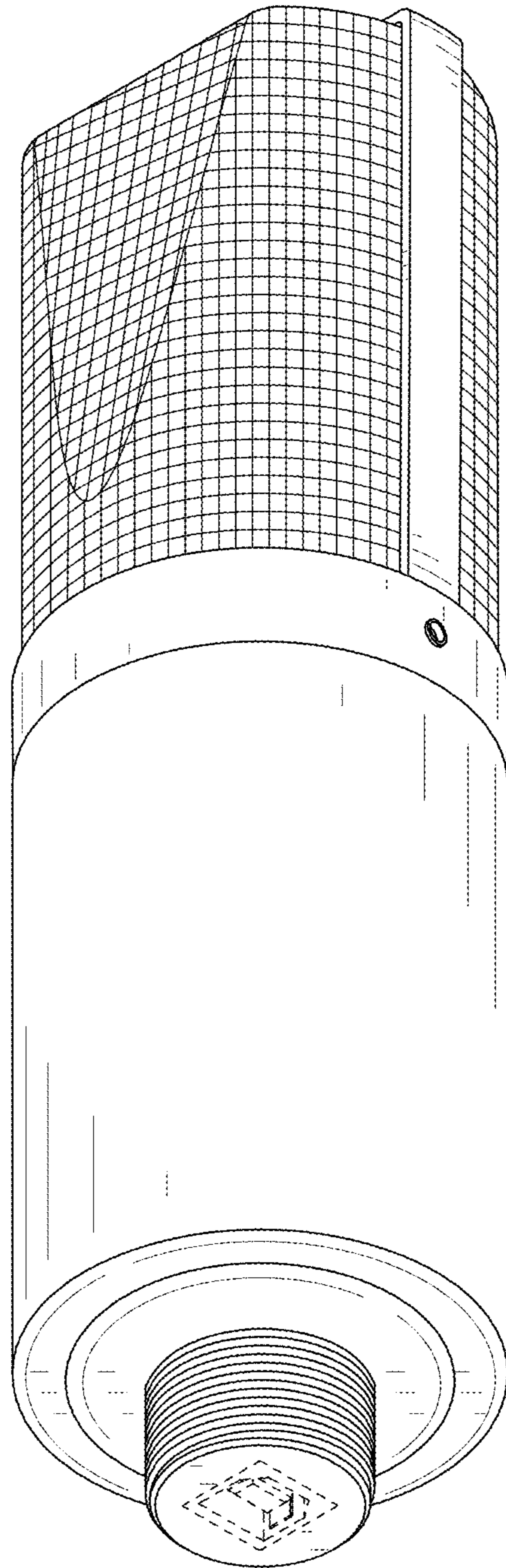


FIG. 2

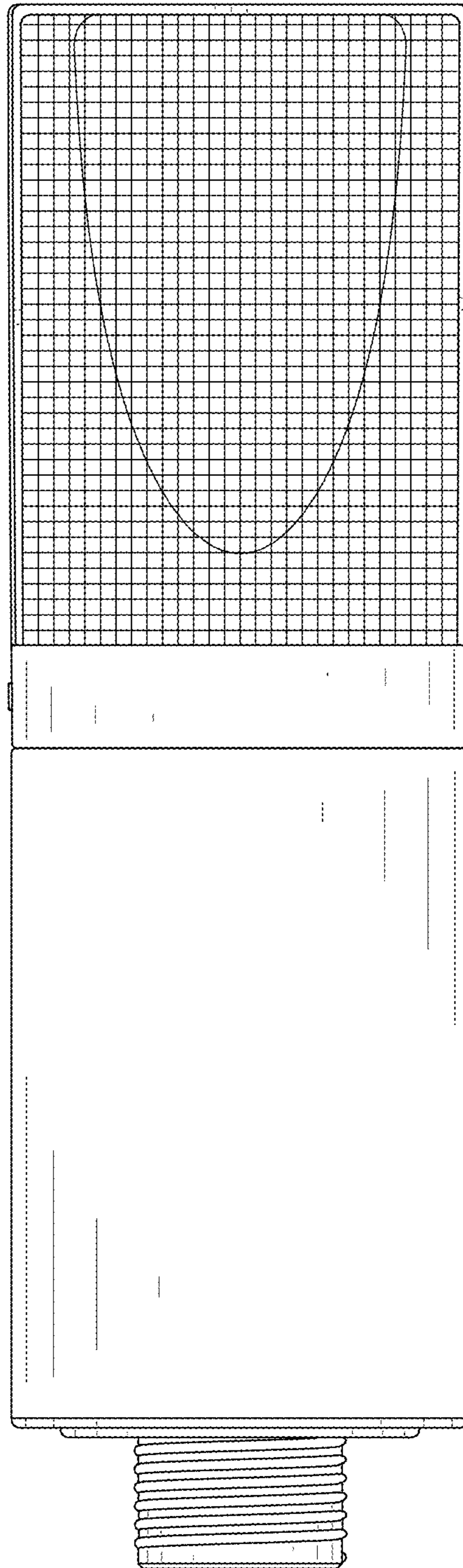


FIG. 3

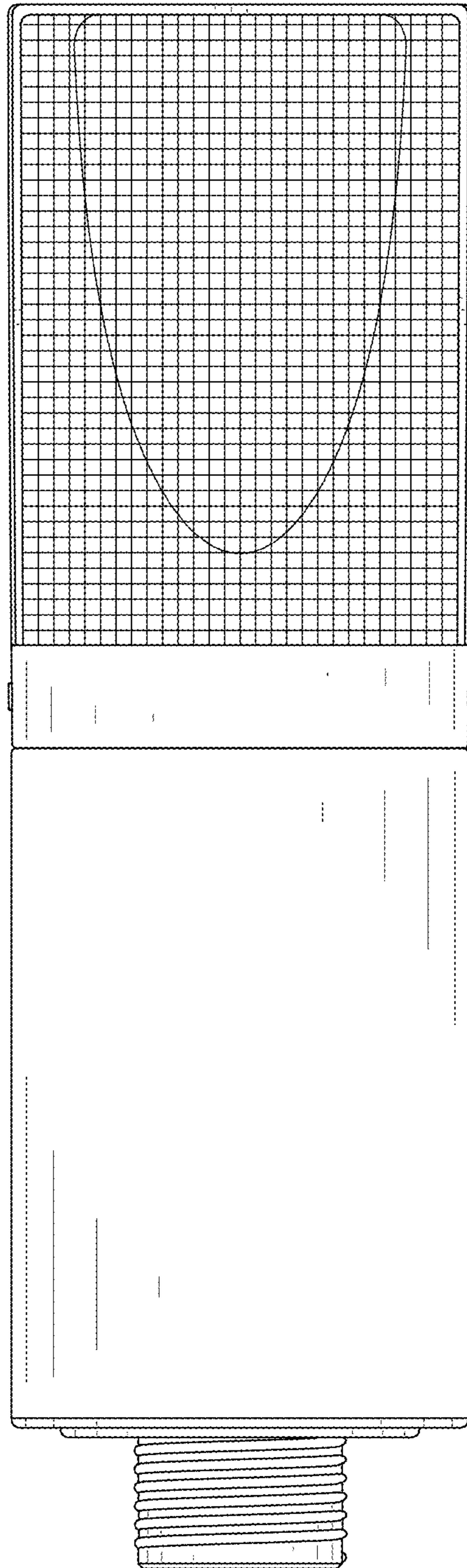


FIG. 4

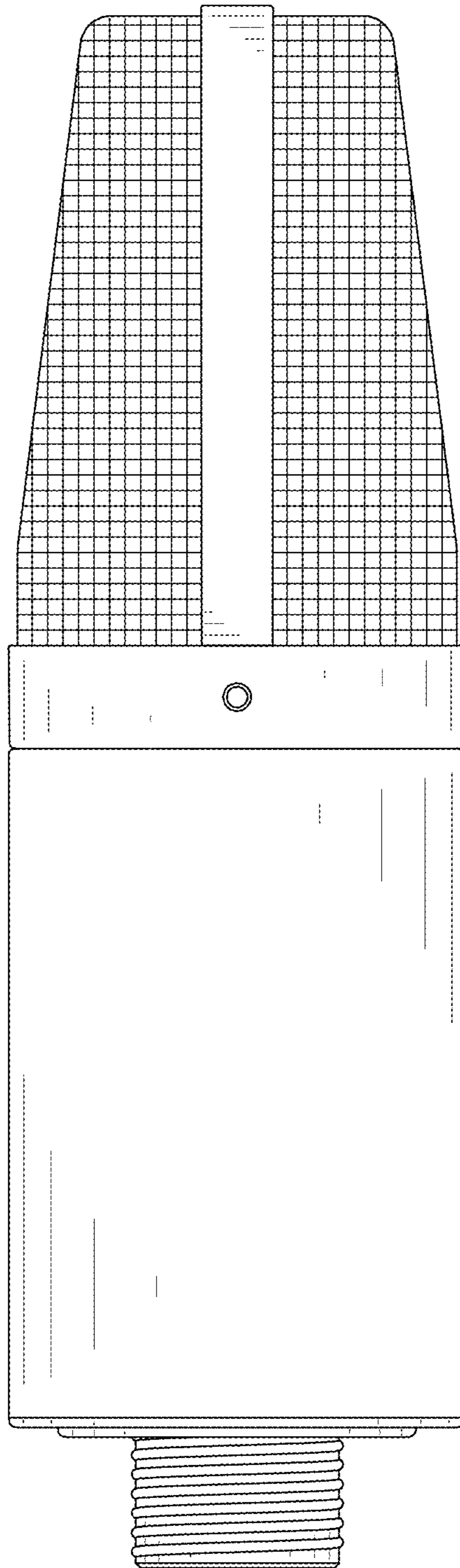


FIG. 5

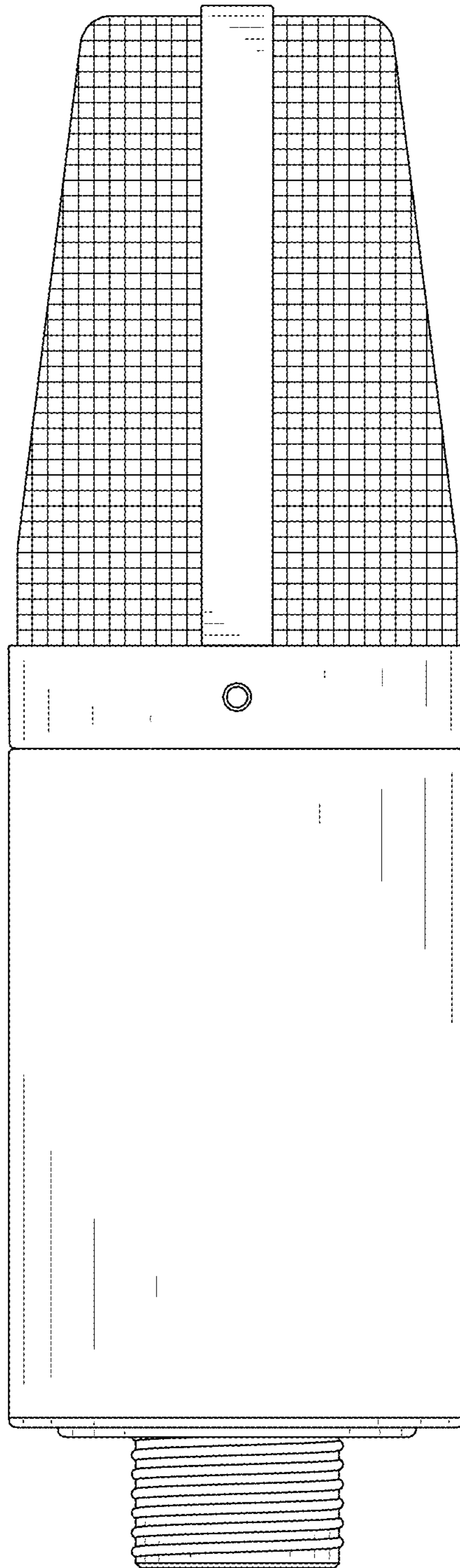


FIG. 6



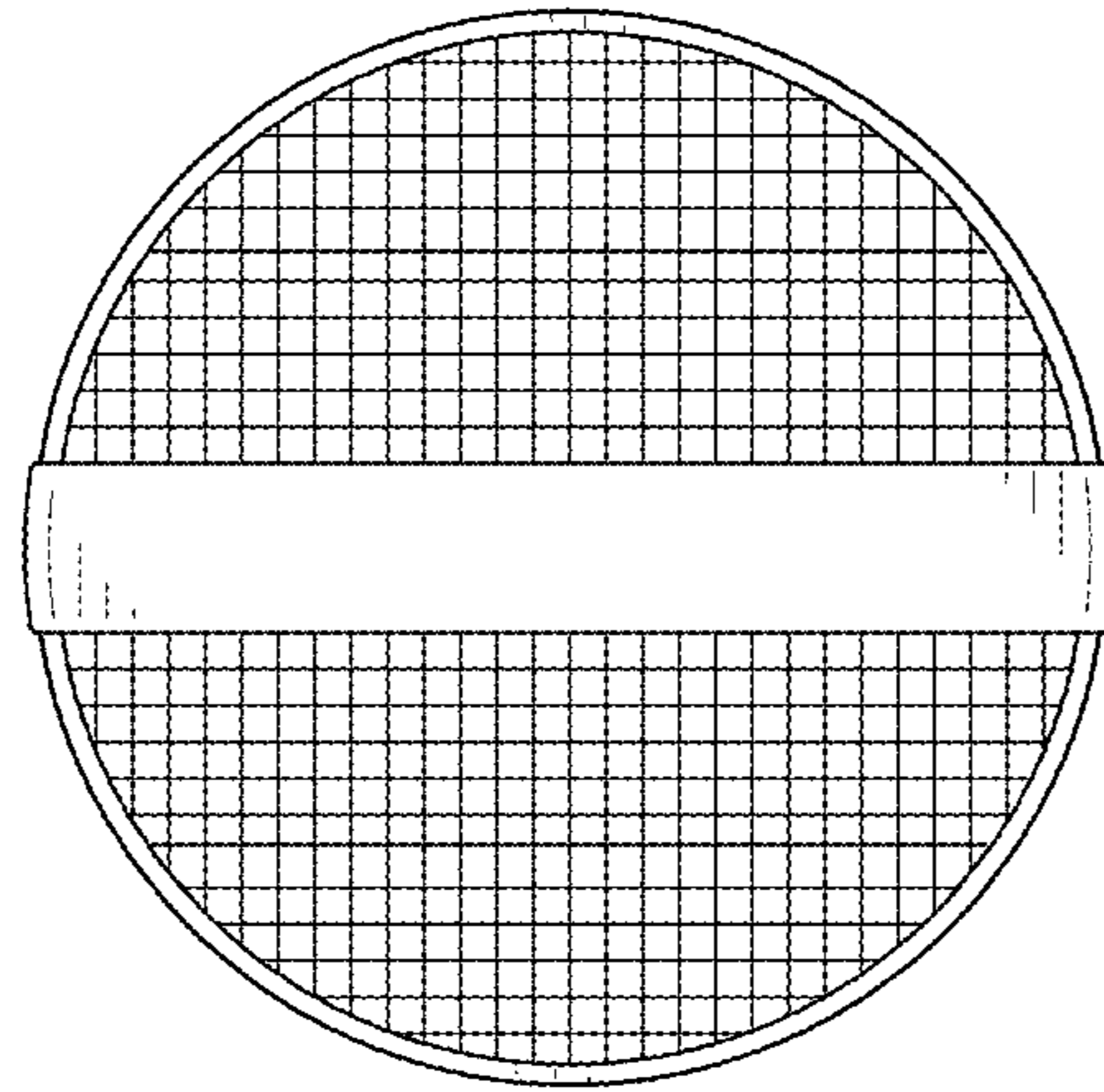


FIG. 7

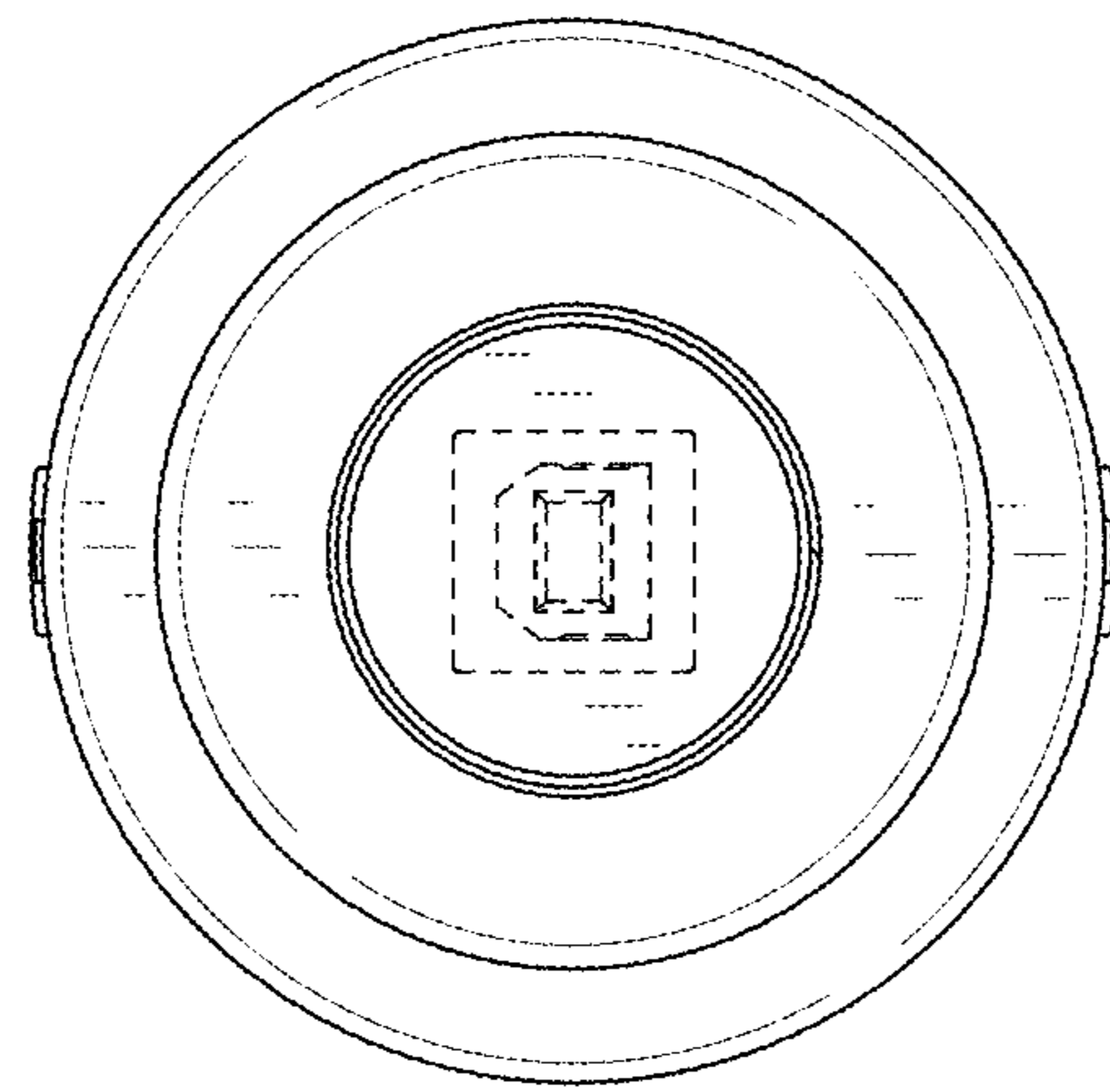


FIG. 8