



US00D918183S

(12) **United States Design Patent**
Kelley et al.

(10) **Patent No.:** **US D918,183 S**

(45) **Date of Patent:** **** May 4, 2021**

(54) **COMMUNICATIONS HEADSET BASE**

(71) Applicant: **Plantronics, Inc.**, Santa Cruz, CA (US)

(72) Inventors: **John A Kelley**, Santa Cruz, CA (US);
Nicholas W Paterson, Santa Cruz, CA (US);
Chase Patrick Bailey, Santa Cruz, CA (US)

(73) Assignee: **Plantronics, Inc.**, Santa Cruz, CA (US)

(**) Term: **15 Years**

(21) Appl. No.: **29/705,243**

(22) Filed: **Sep. 10, 2019**

(51) **LOC (13) Cl.** **14-03**

(52) **U.S. Cl.**
USPC **D14/224**; D14/149

(58) **Field of Classification Search**
USPC ... D14/434, 432, 433, 435, 435.1, 356, 357,
D14/358, 251-253, 217, 299, 496, 169,
(Continued)

(56) **References Cited**

U.S. PATENT DOCUMENTS

D388,434 S * 12/1997 Lepack D14/149
D482,674 S * 11/2003 Rath D14/206
(Continued)

Primary Examiner — Marie D. Fast Horse

(74) *Attorney, Agent, or Firm* — Ferguson Braswell
Fraser Kubasta PC

(57) **CLAIM**

The ornamental design for a communications headset base,
as shown and described.

DESCRIPTION

FIG. 1 is a right side, top down, rear perspective view of the
communications headset base according to a first embodi-
ment having a cradle;

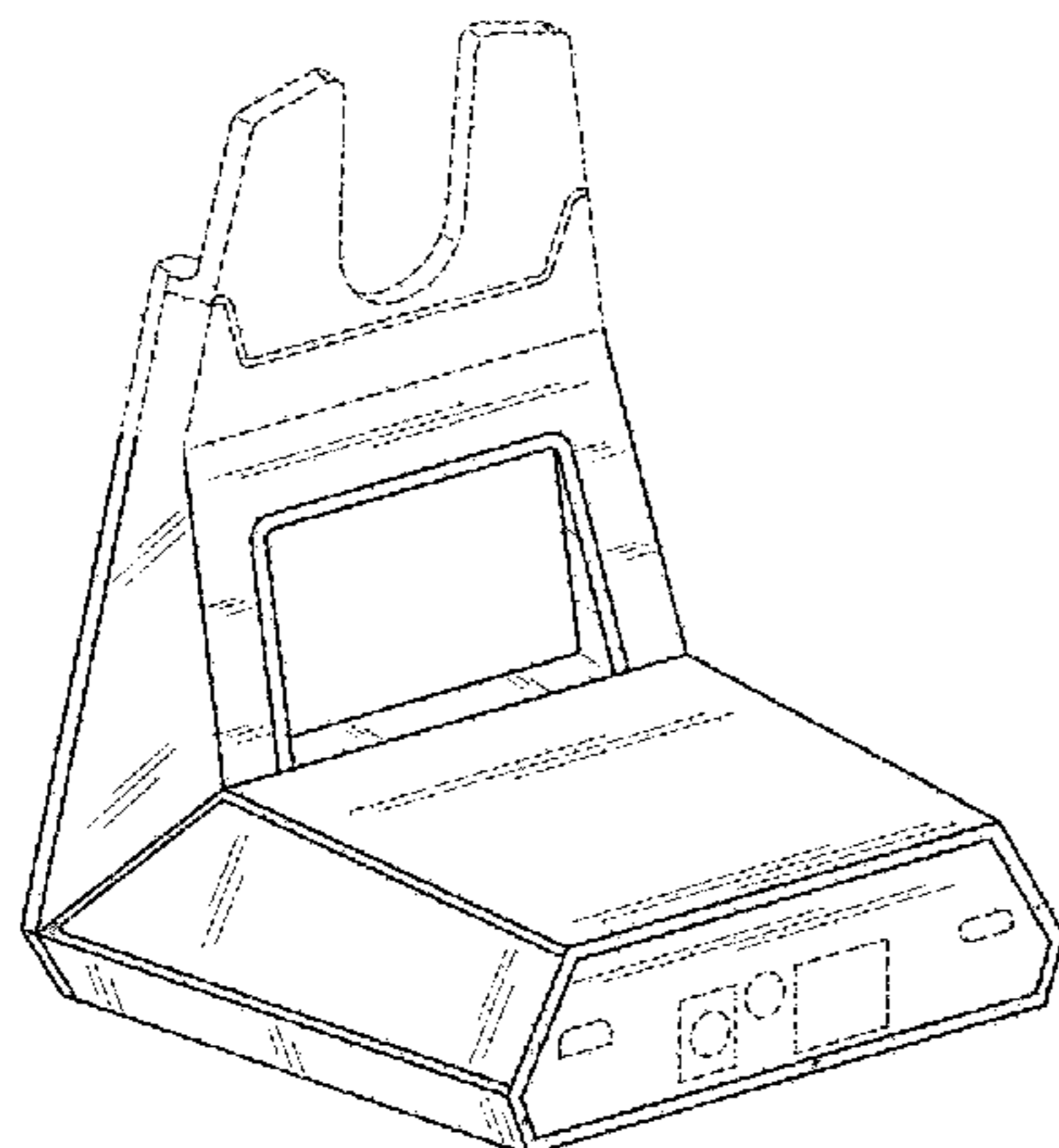


FIG. 2 is a left side, bottom up, front perspective view
thereof;

FIG. 3 is a top down view thereof;

FIG. 4 is a bottom up view thereof;

FIG. 5 is a left side view thereof;

FIG. 6 is a right side view thereof;

FIG. 7 is a front view thereof;

FIG. 8 is a rear view thereof;

FIG. 9 is a right side, top down, rear perspective view of a
second embodiment of a communications headset base,
showing an alternate cradle;

FIG. 10 is a left side, bottom up, front perspective view
thereof;

FIG. 11 is a top down view thereof;

FIG. 12 is a bottom up view thereof;

FIG. 13 is a left side view thereof;

FIG. 14 is a right side view thereof;

FIG. 15 is a front view thereof;

FIG. 16 is a rear view thereof;

FIG. 17 is a right side, top down, rear perspective view of
a third embodiment of a communications headset base,
showing another alternate cradle;

FIG. 18 is a left side, bottom up, front perspective view
thereof;

FIG. 19 is a top down view thereof;

FIG. 20 is a bottom up view thereof;

FIG. 21 is a left side view thereof;

FIG. 22 is a right side view thereof;

FIG. 23 is a front view thereof;

FIG. 24 is a rear view thereof;

FIG. 25 is a right side, top down, rear perspective view of
a fourth embodiment of a communications headset base,
showing another alternate cradle;

FIG. 26 is a left side, bottom up, front perspective view
thereof;

FIG. 27 is a top down view thereof;

FIG. 28 is a bottom up view thereof;

FIG. 29 is a left side view thereof;

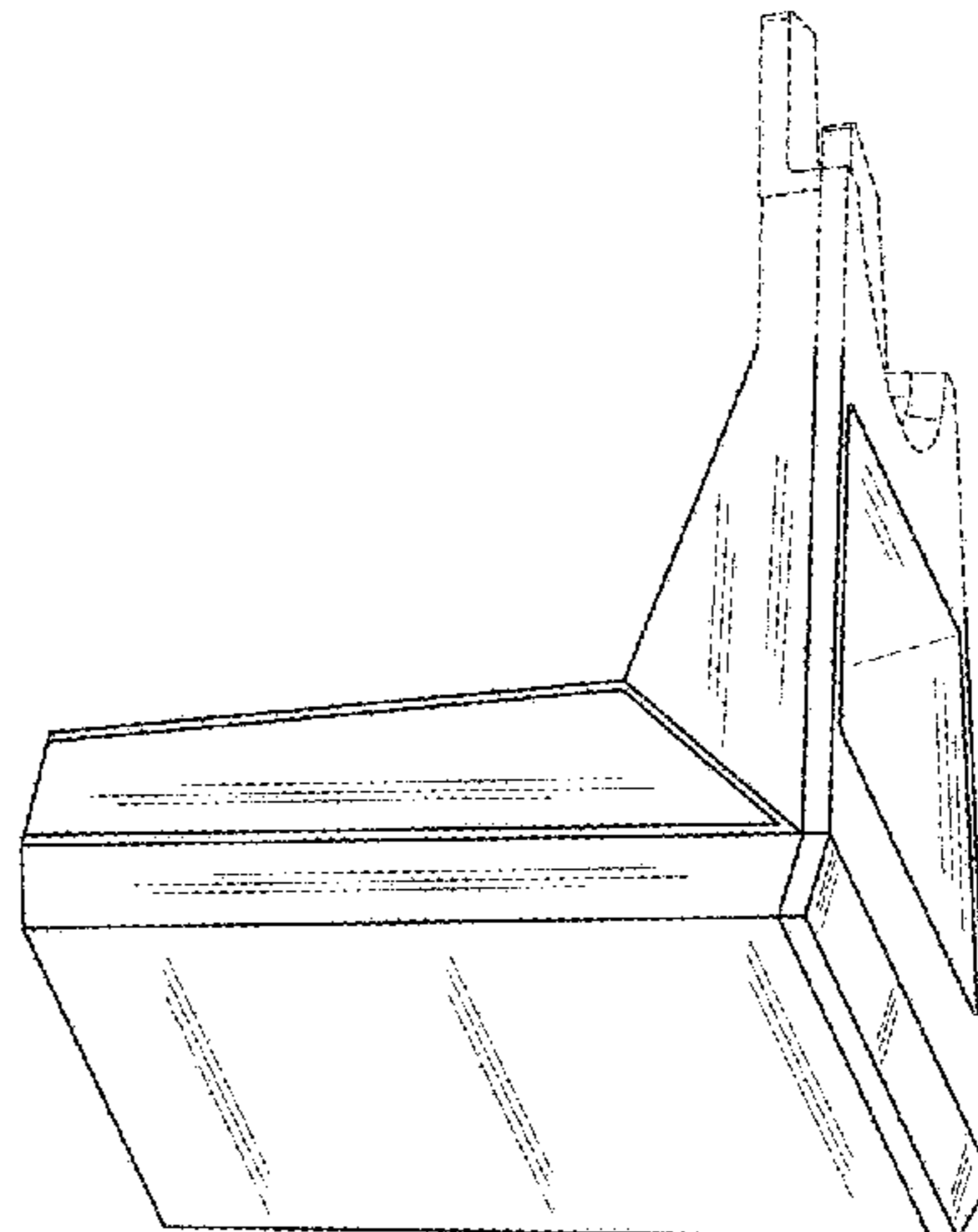
FIG. 30 is a right side view thereof;

FIG. 31 is a front view thereof; and,

FIG. 32 is a rear view thereof.

The broken lines in the drawings depict portions of the
article that form no part of the claimed design.

(Continued)



The shade lines indicate the character and angle of the surfaces represented, not to be confused with surface ornamentation.

1 Claim, 16 Drawing Sheets

(58) Field of Classification Search

USPC D14/451, 452, 454, 240, 242, 204, 125,
 D14/168, 171, 440, 447, 300, 301, 302,
 D14/314, 348, 389, 363, 365, 205, 223,
 D14/224, 149, 140, 142; D13/103, 107,
 D13/108, 184, 110, 123, 133, 135, 179;
 D21/324, 332, 333
 CPC F16M 11/02; F16M 11/041; F16M 3/00;
 H01M 2/1022; H04M 1/72502; H02J
 7/0044

See application file for complete search history.

(56) References Cited

U.S. PATENT DOCUMENTS

D489,323 S * 5/2004 Yoshida D13/108
 D535,615 S * 1/2007 Iwai D13/108

D560,206 S * 1/2008 Hermansen D14/206
 D564,501 S * 3/2008 Rath D14/224
 D602,008 S * 10/2009 Bentley D14/205
 D628,001 S * 11/2010 McGarry D6/534
 D662,089 S * 6/2012 Gougherty D14/224
 D669,888 S * 10/2012 Gougherty D14/224
 D684,145 S * 6/2013 Rath D14/224
 D720,154 S * 12/2014 Provost D6/526
 D765,623 S * 9/2016 Yang D14/224
 D780,186 S * 2/2017 Lee D14/447
 D811,414 S * 2/2018 Lee D14/447
 D813,850 S * 3/2018 Young, III D14/224
 9,973,844 B1 * 5/2018 Young H02J 7/0044
 D834,562 S * 11/2018 Davids D14/224
 D845,306 S * 4/2019 Lee D14/447
 D850,421 S * 6/2019 Tong D14/224
 D854,520 S * 7/2019 Tong D14/224
 D860,174 S * 9/2019 Chong D14/224
 D864,920 S * 10/2019 Chong D14/224
 D866,533 S * 11/2019 Chong D14/224
 D870,038 S * 12/2019 Zeng D13/108
 2010/0164432 A1 * 7/2010 Yang H02J 7/0044
 320/111

* cited by examiner

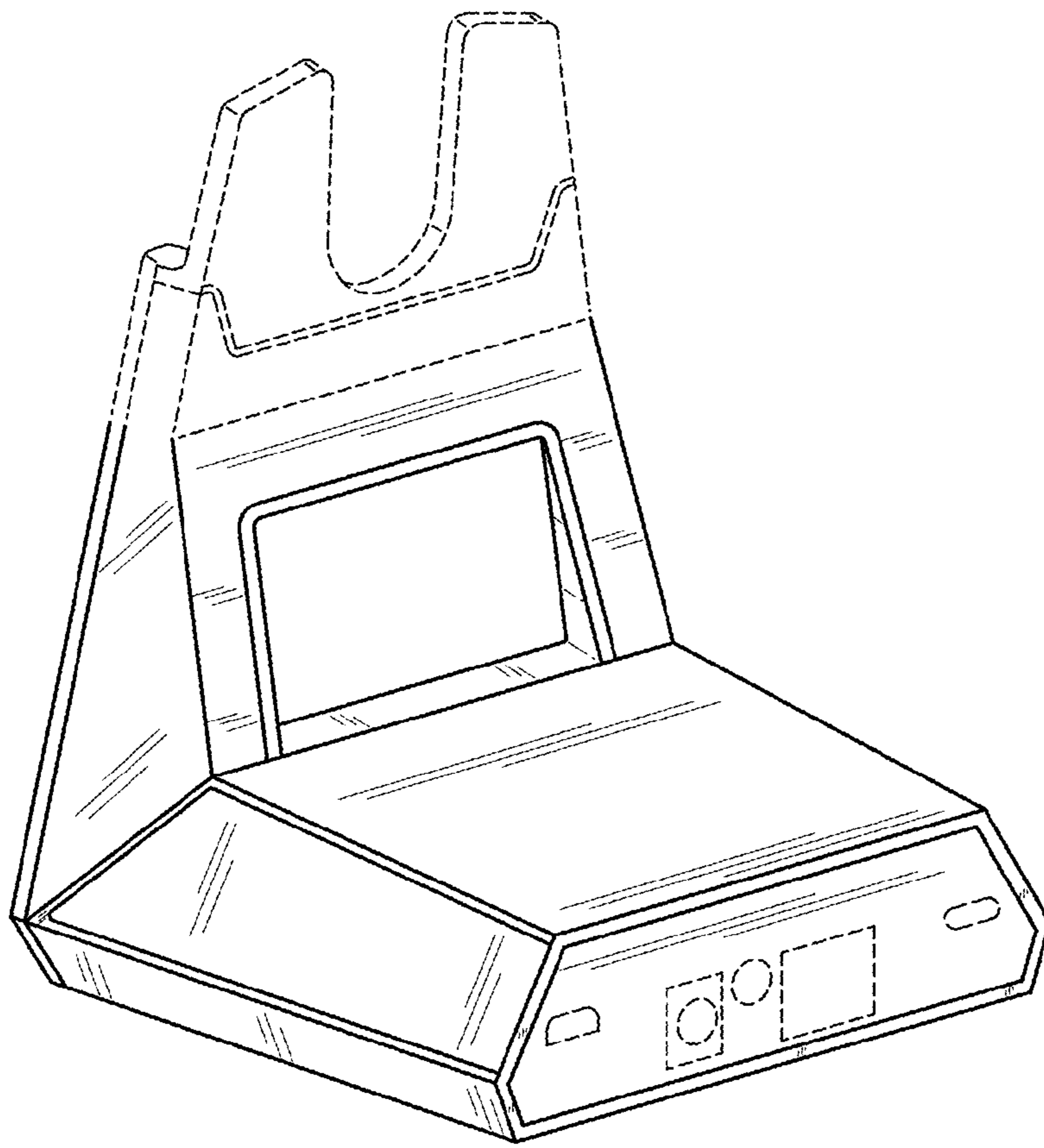


FIG. 1

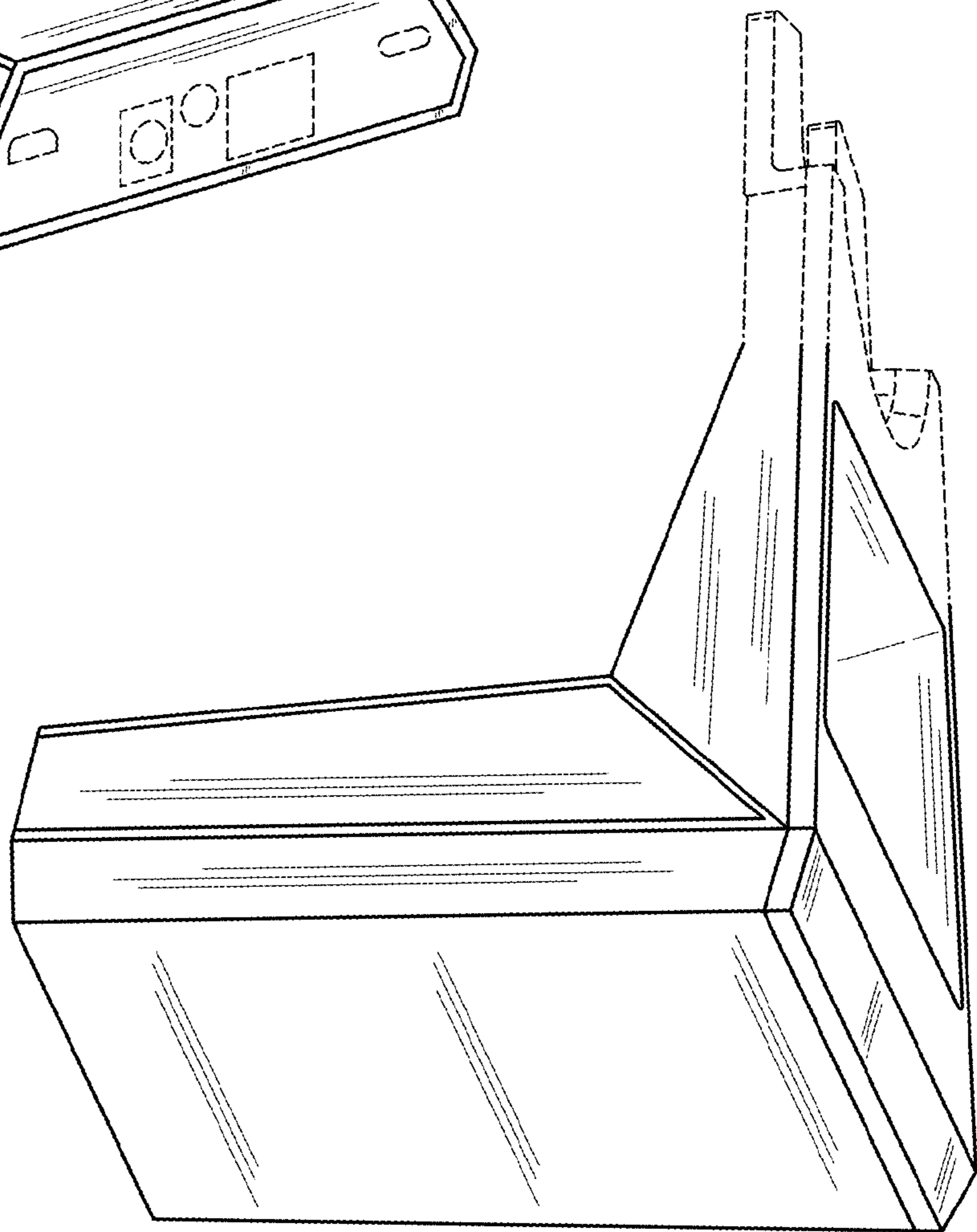


FIG. 2

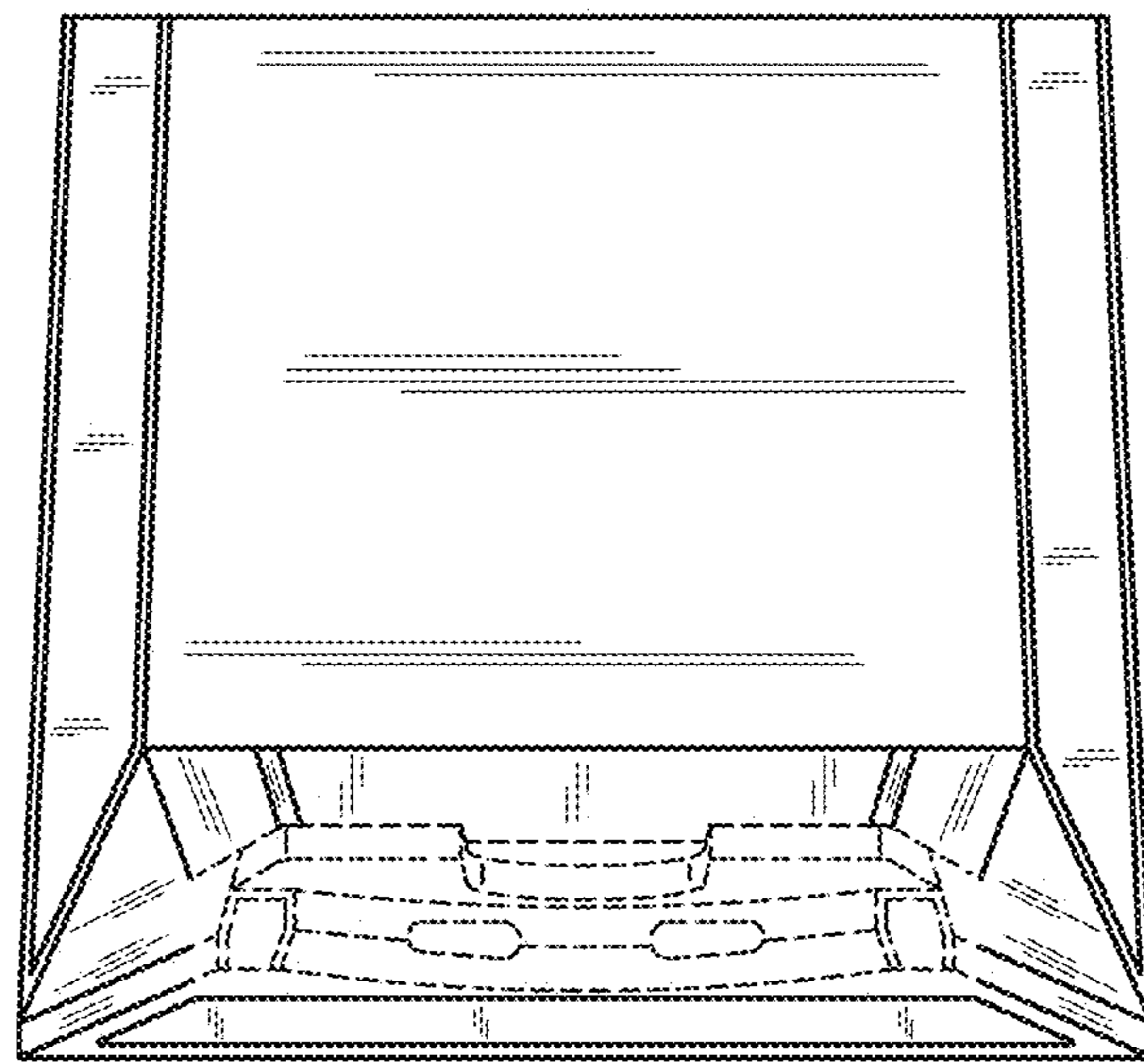


FIG. 3

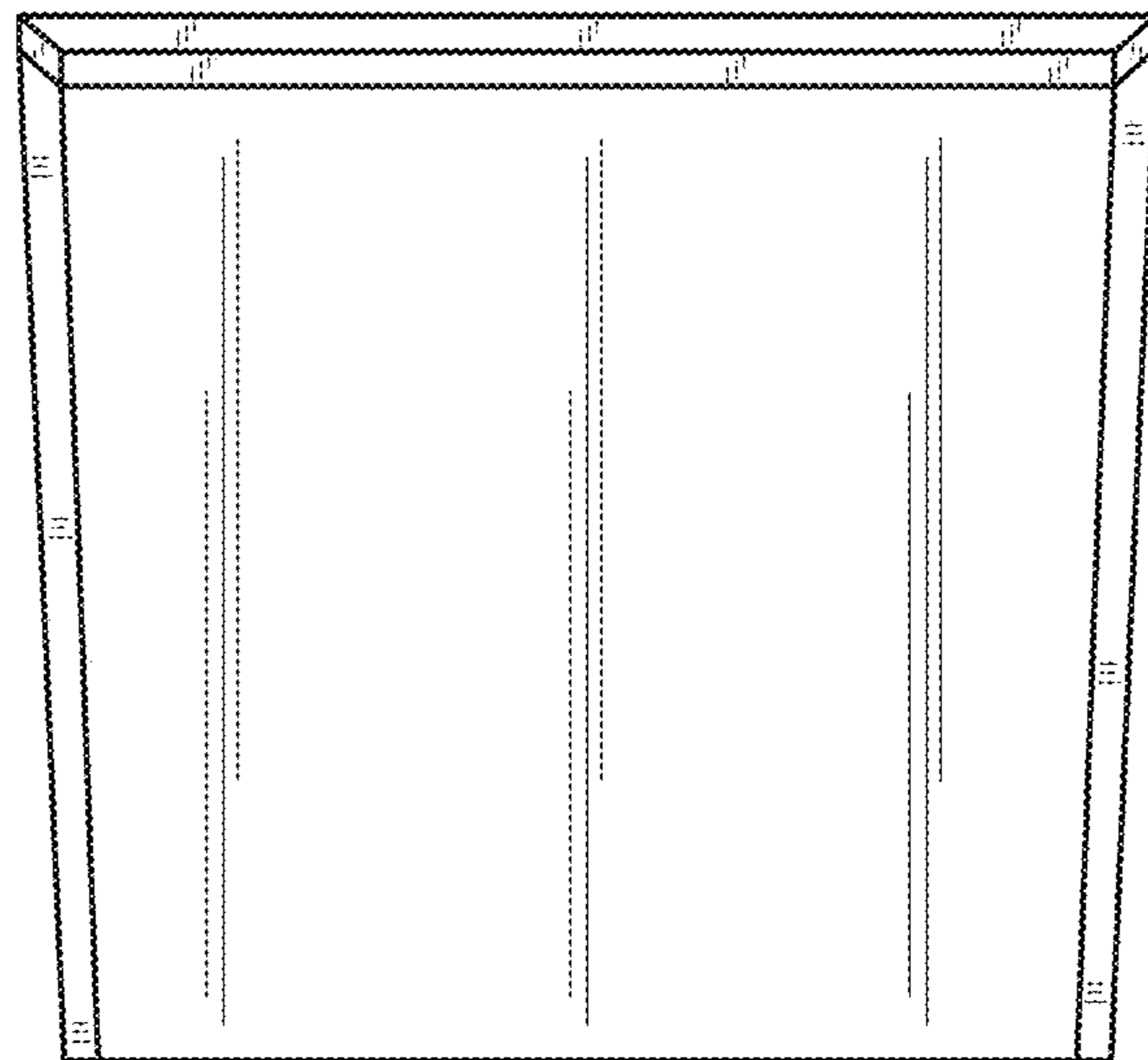


FIG. 4

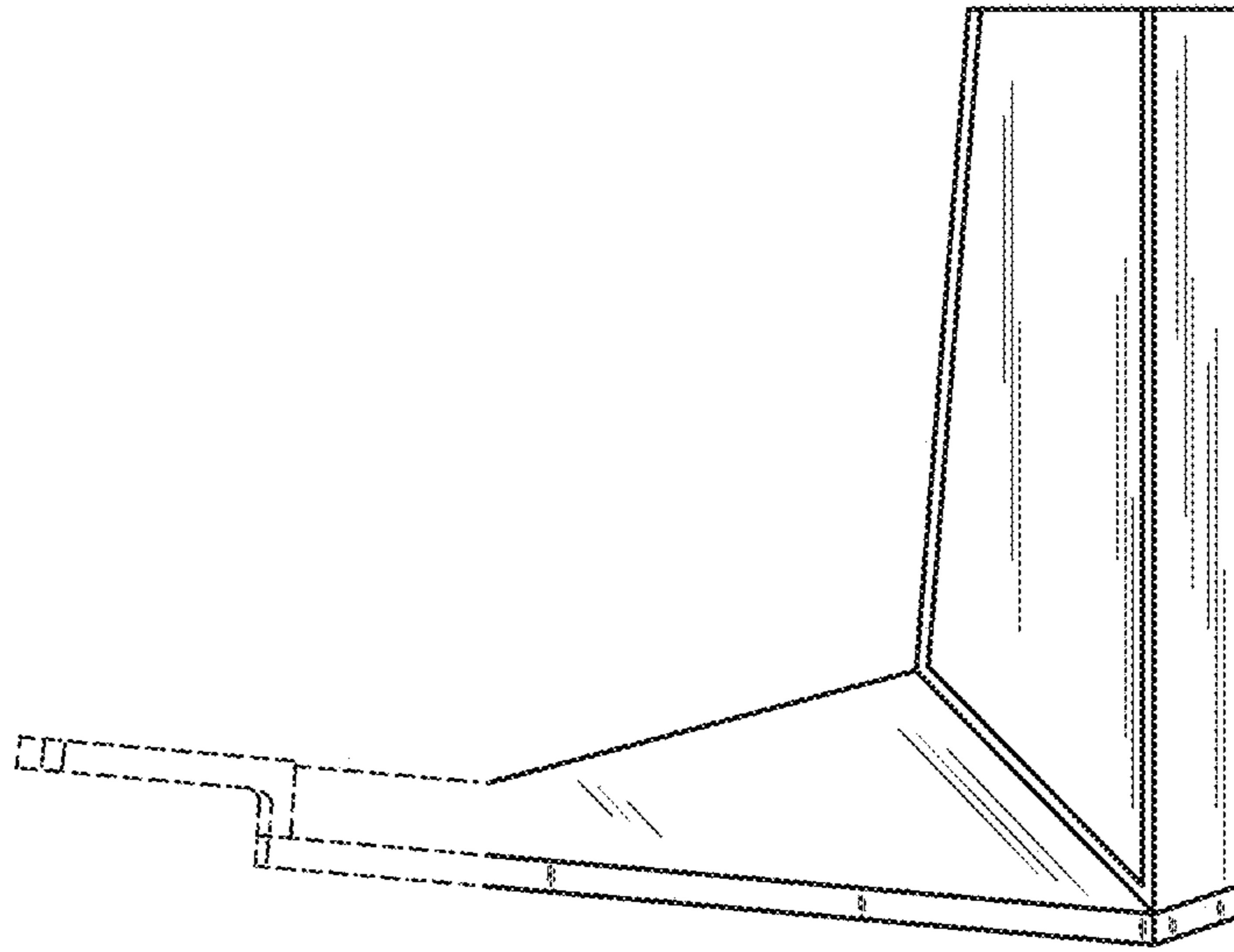


FIG. 5

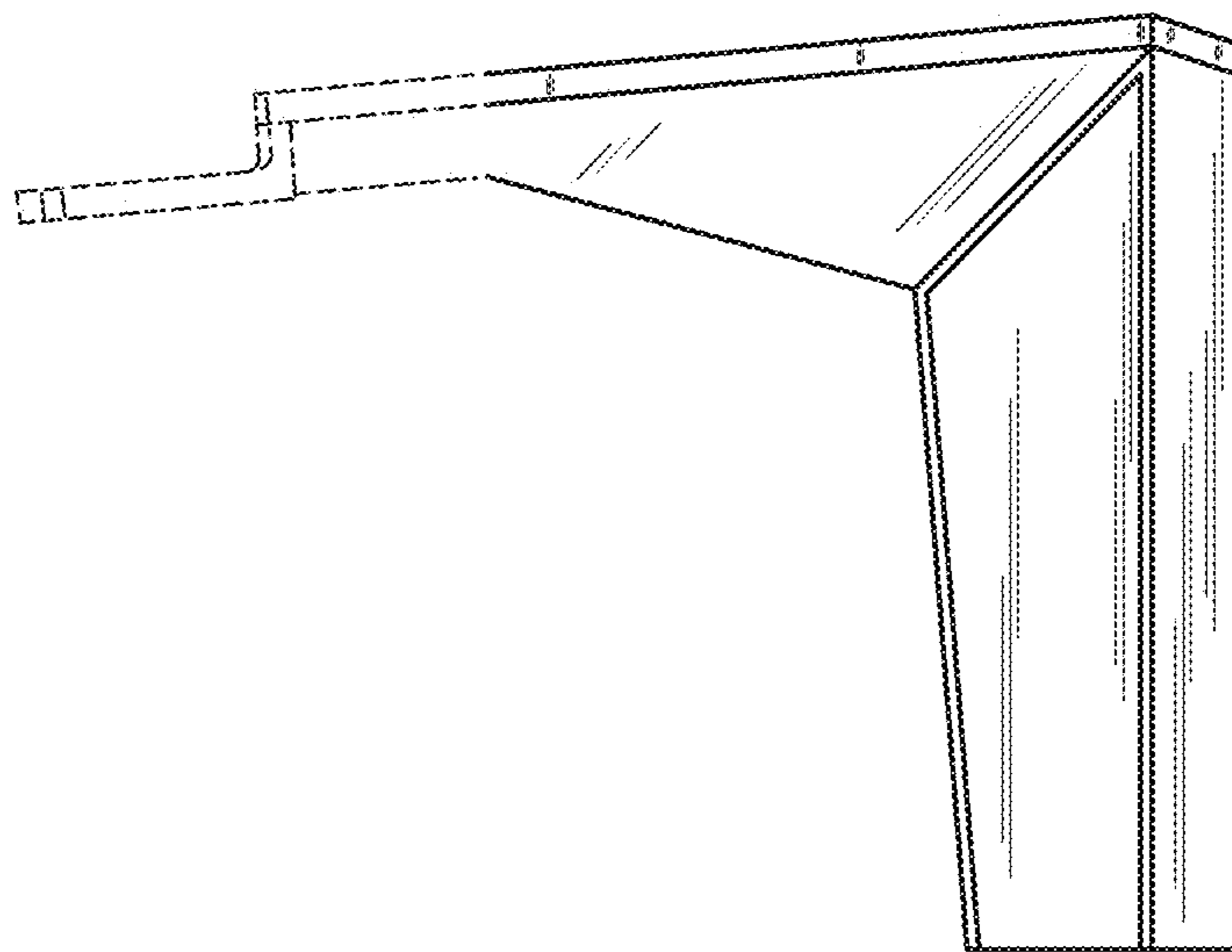


FIG. 6

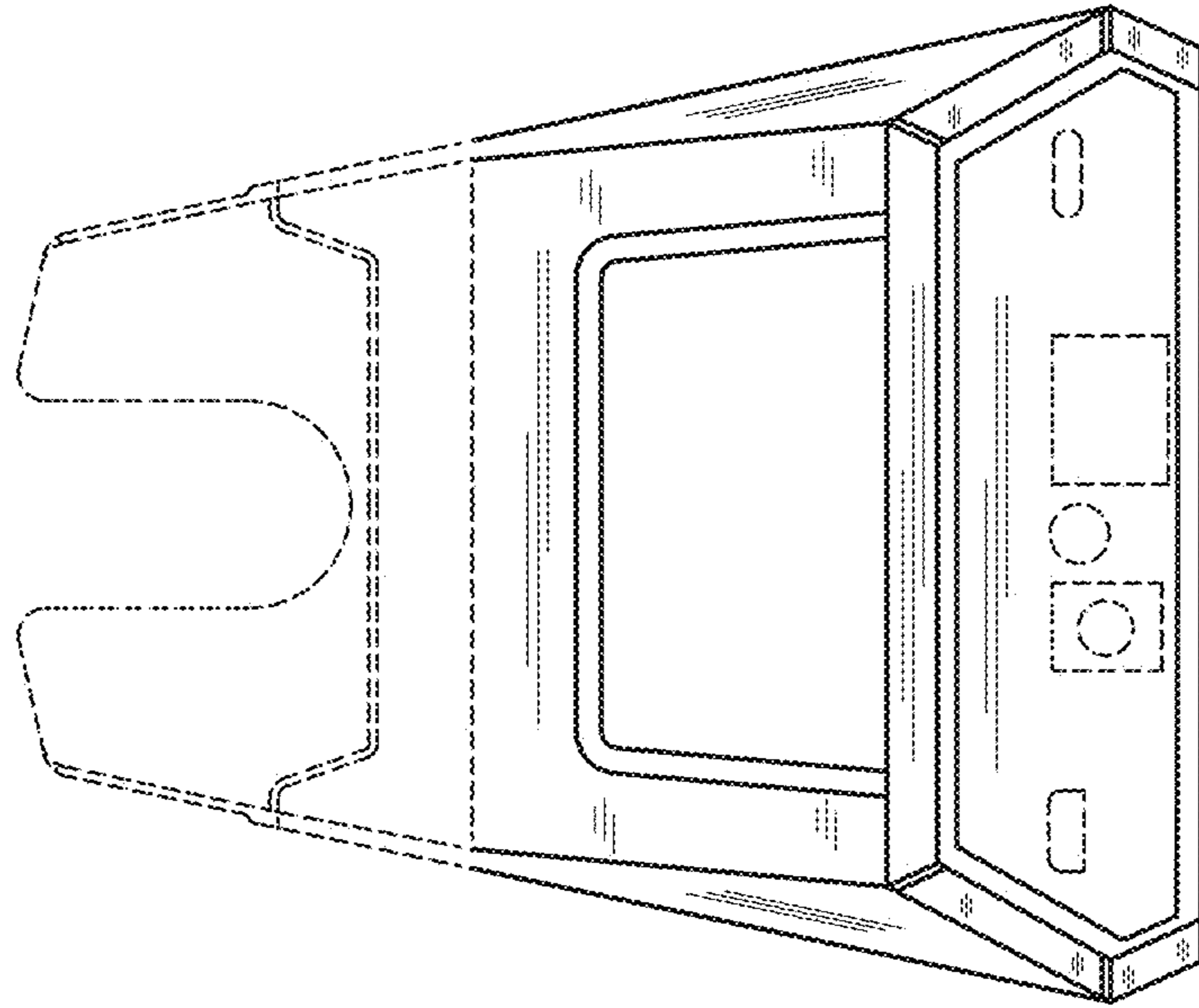


FIG. 7

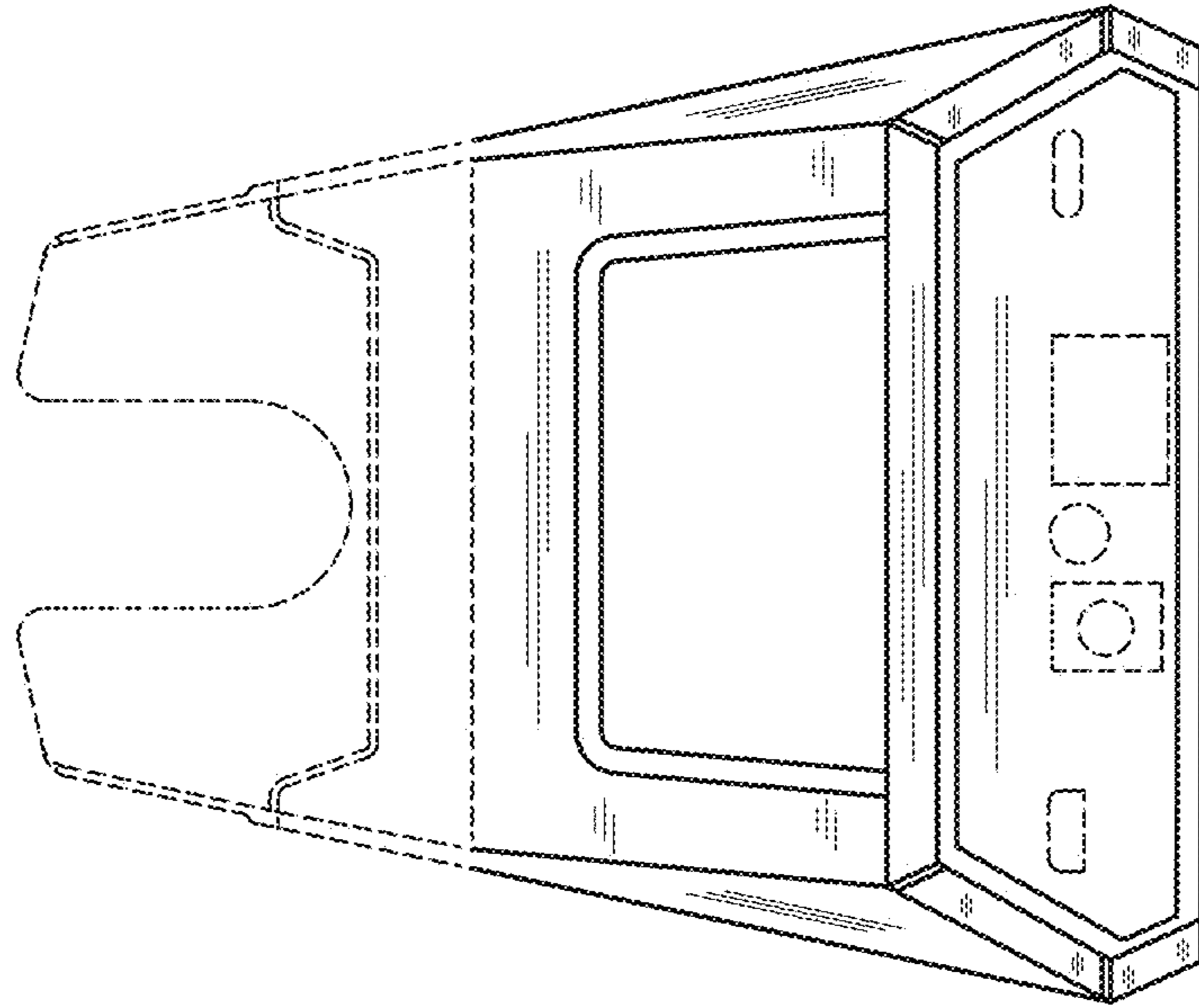


FIG. 8

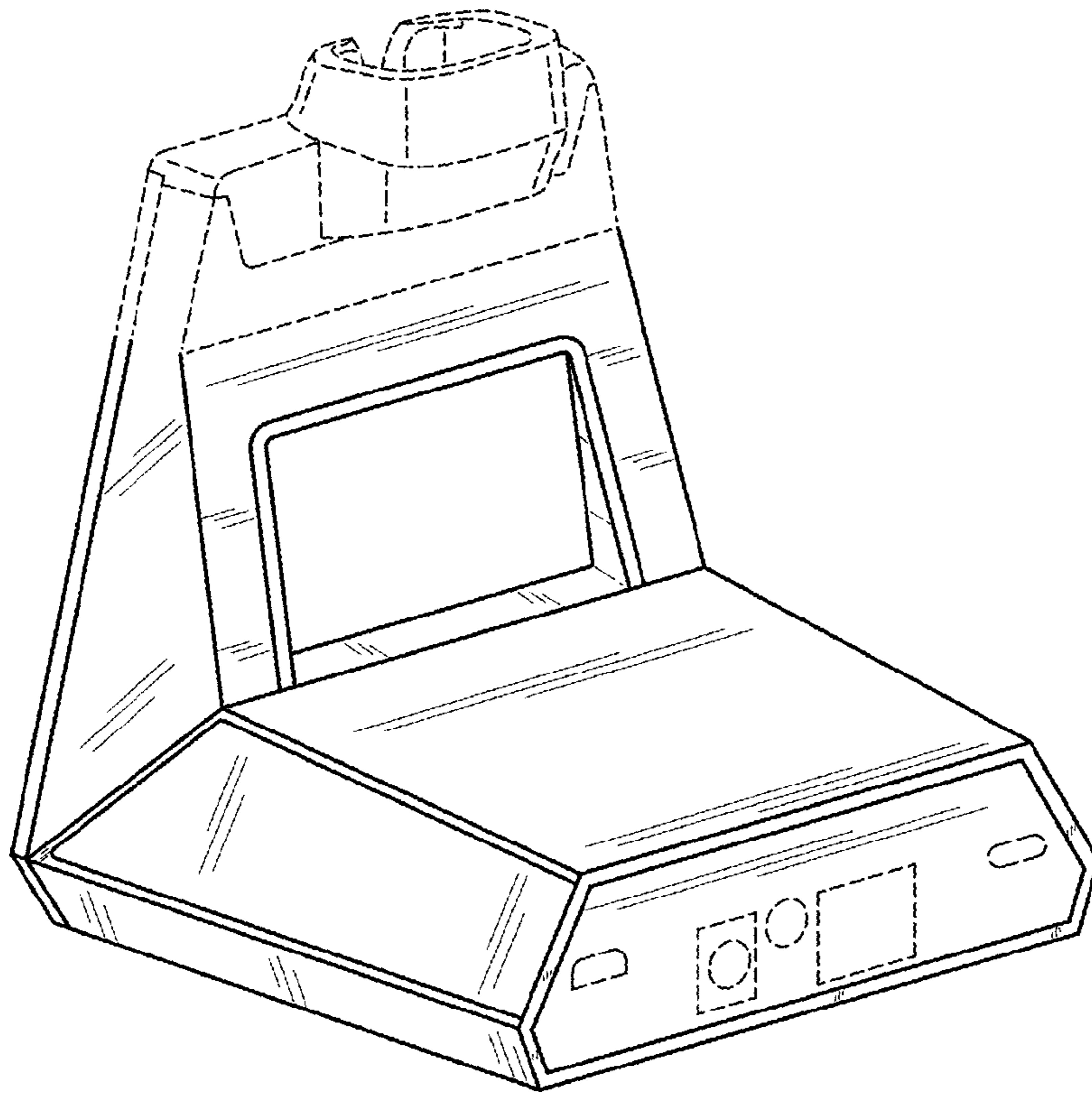


FIG. 9

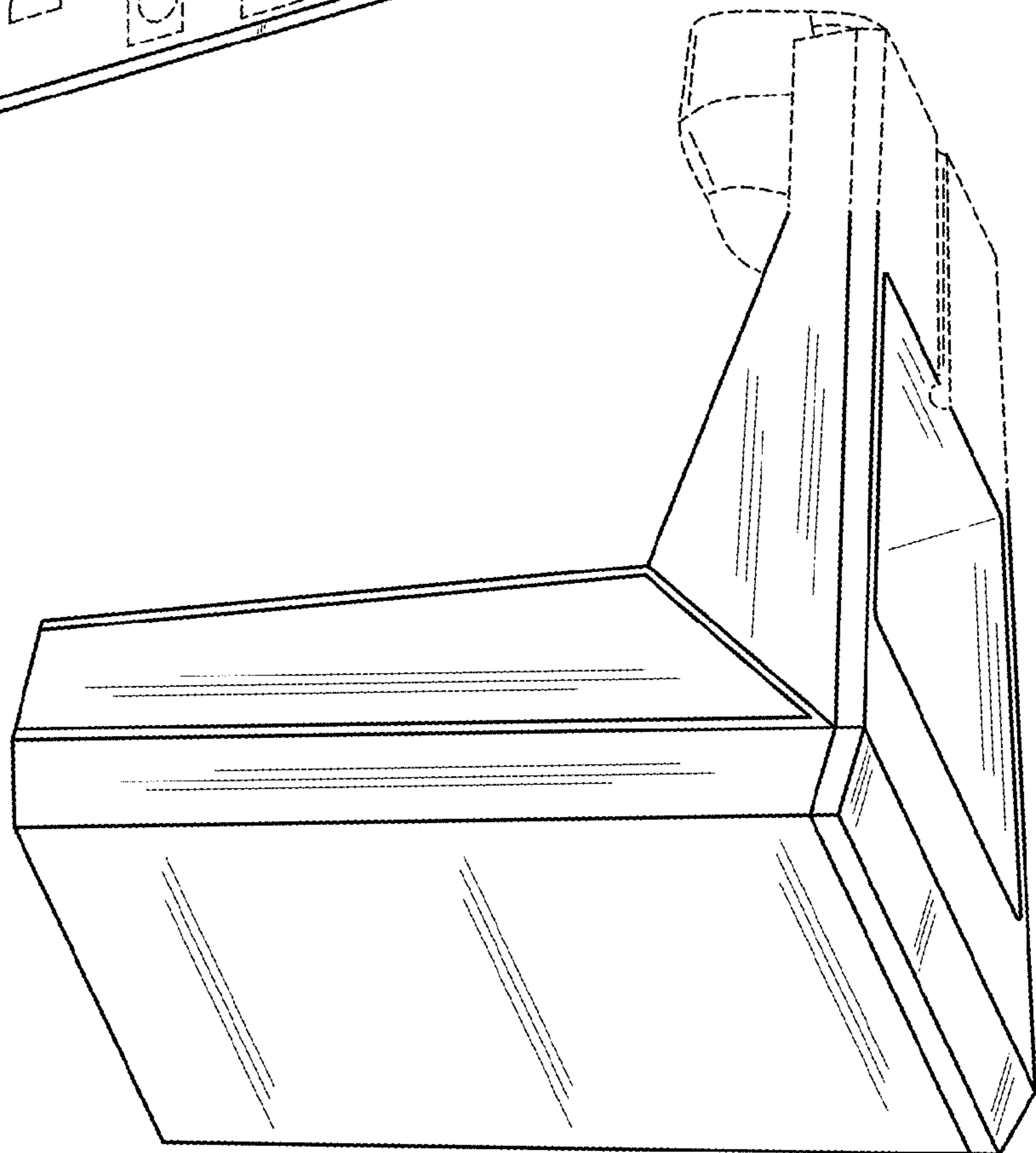


FIG. 10

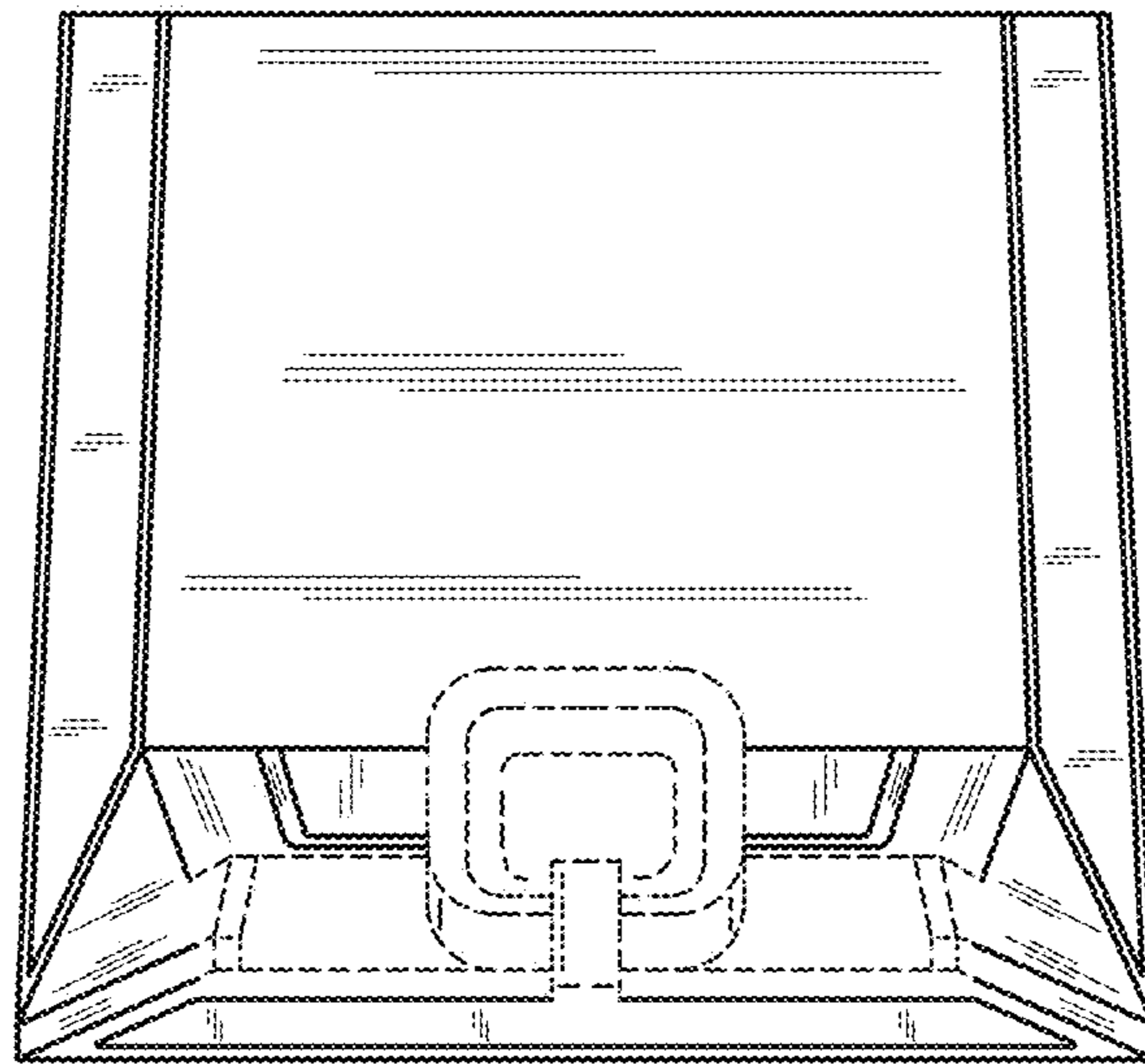


FIG. 11

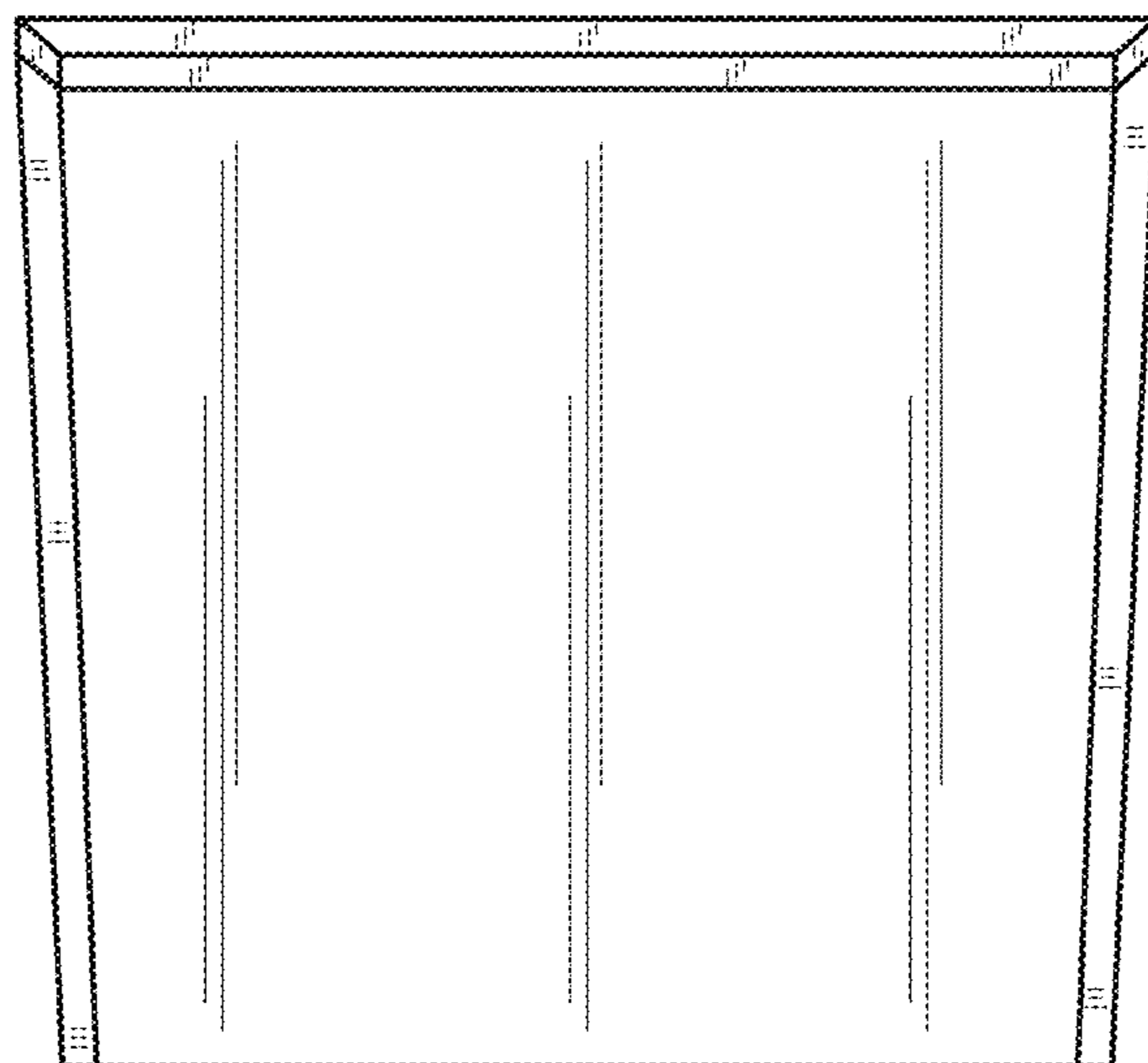


FIG. 12

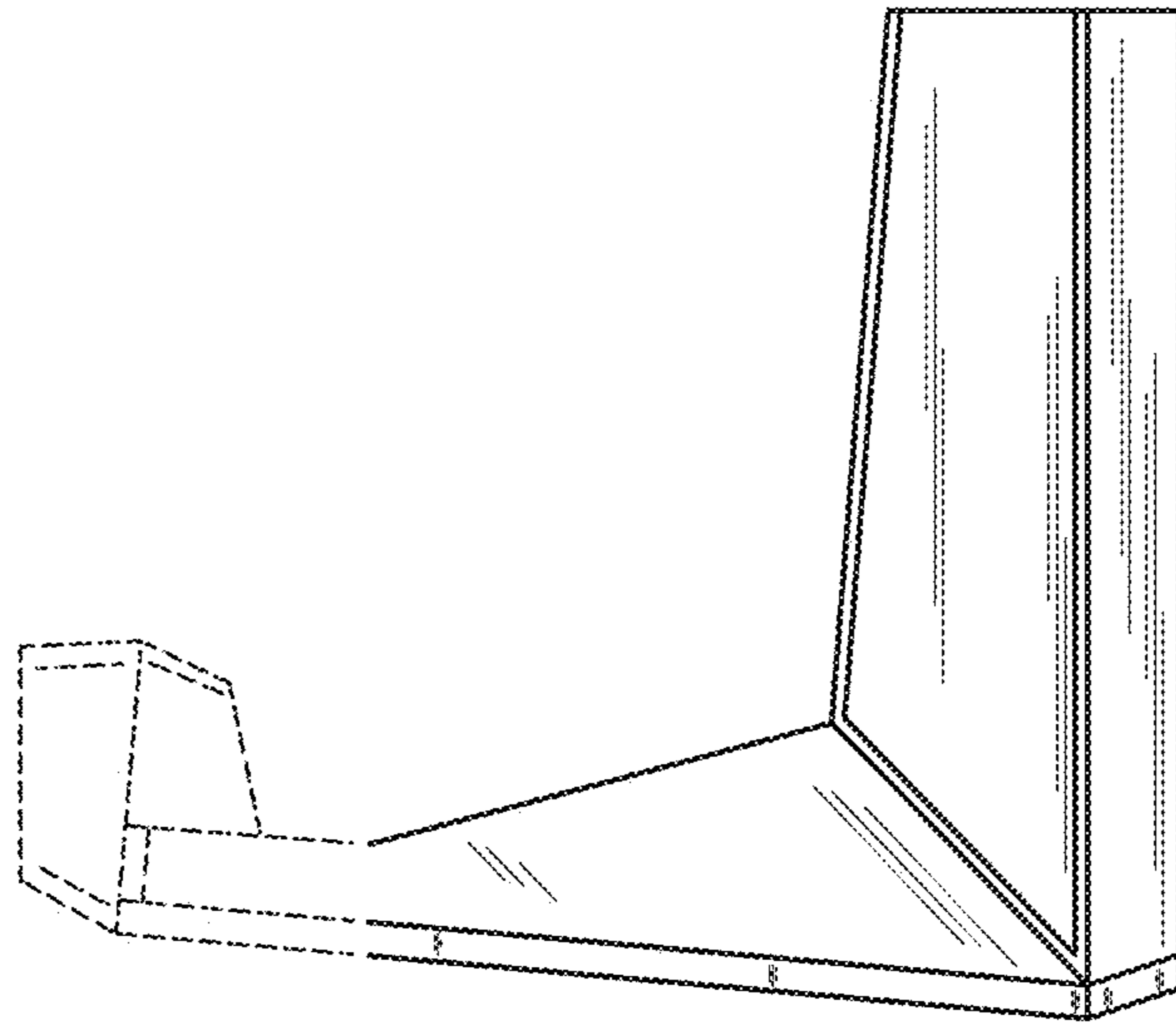


FIG. 14

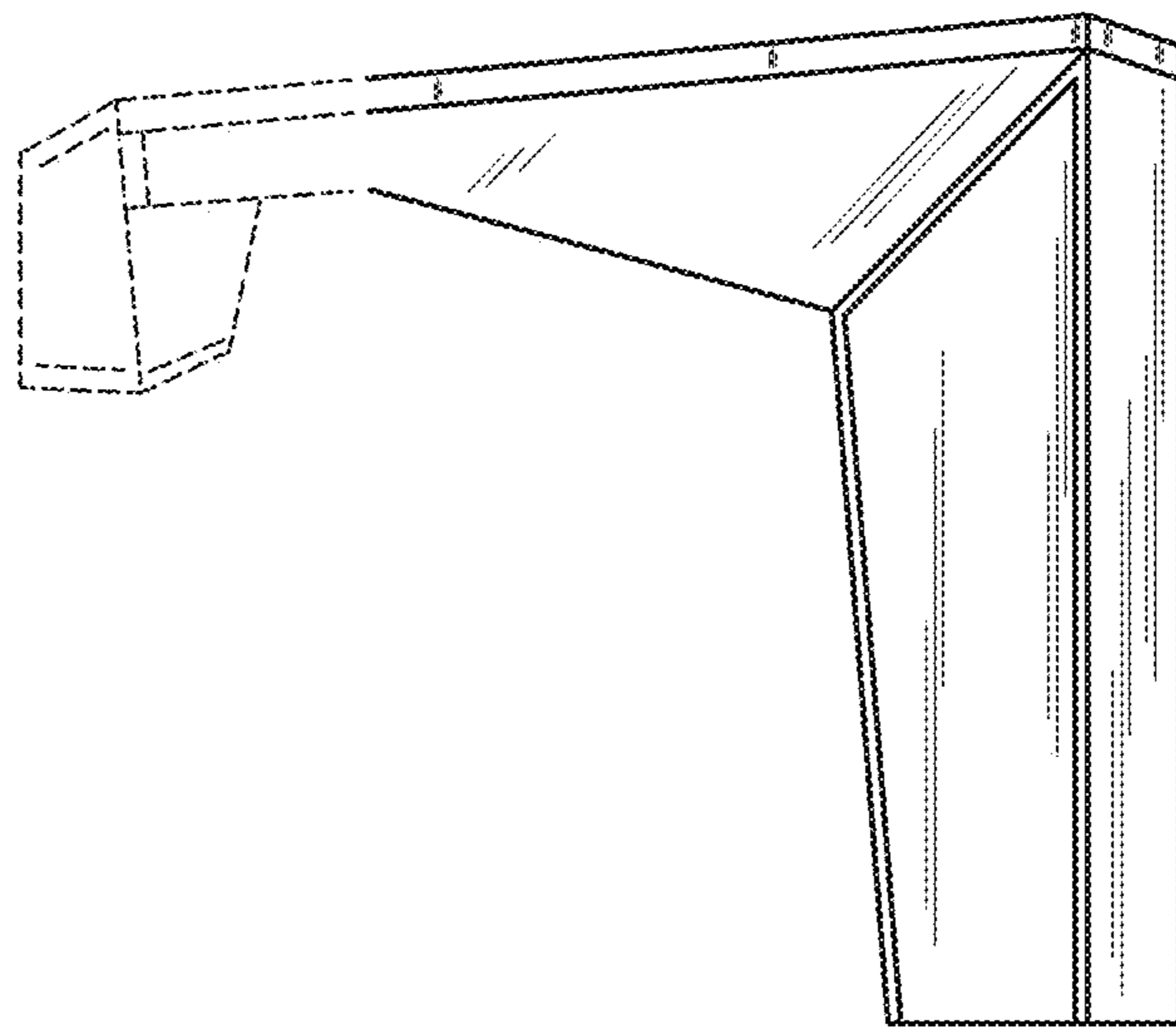


FIG. 13

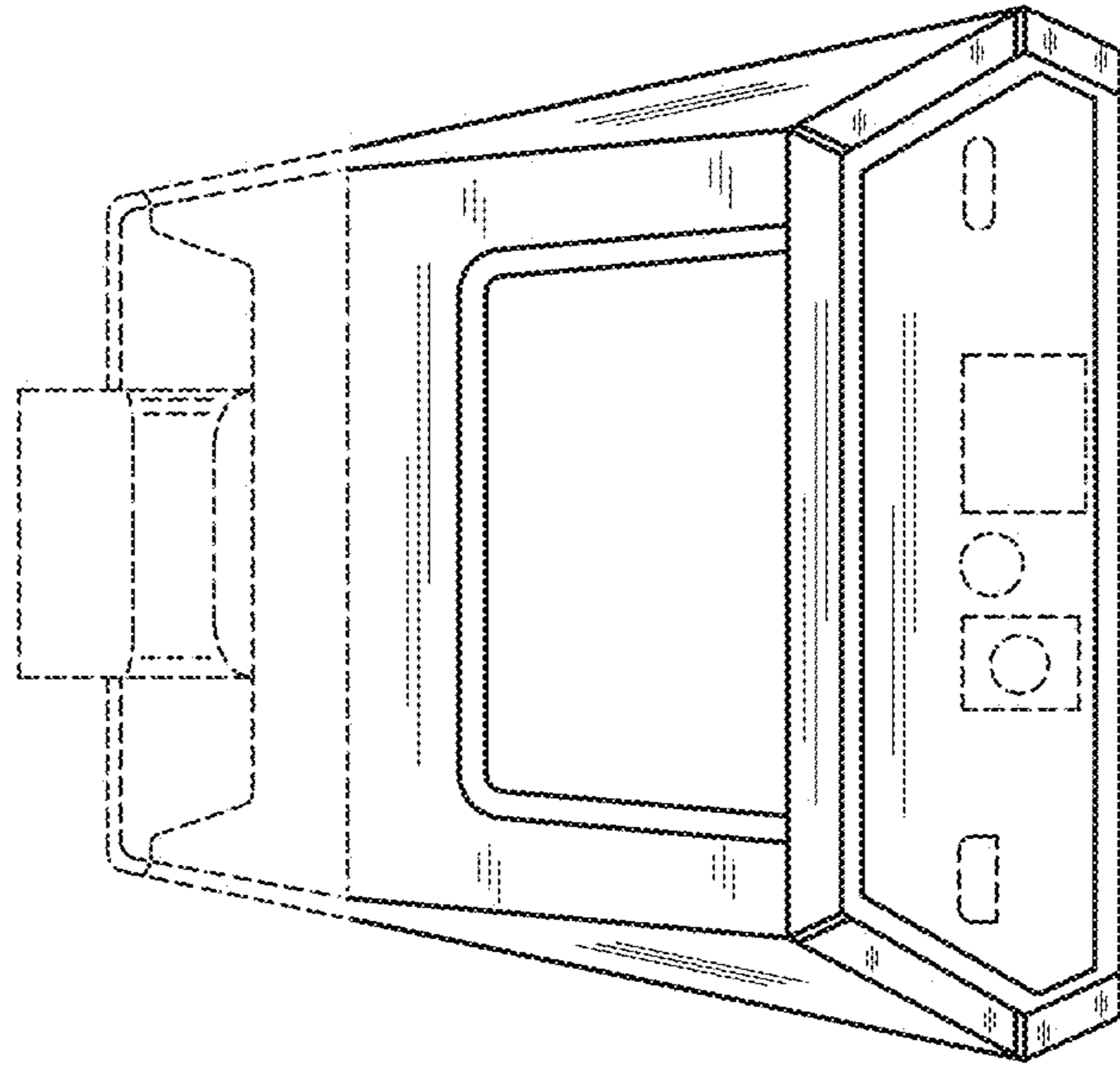


FIG.16

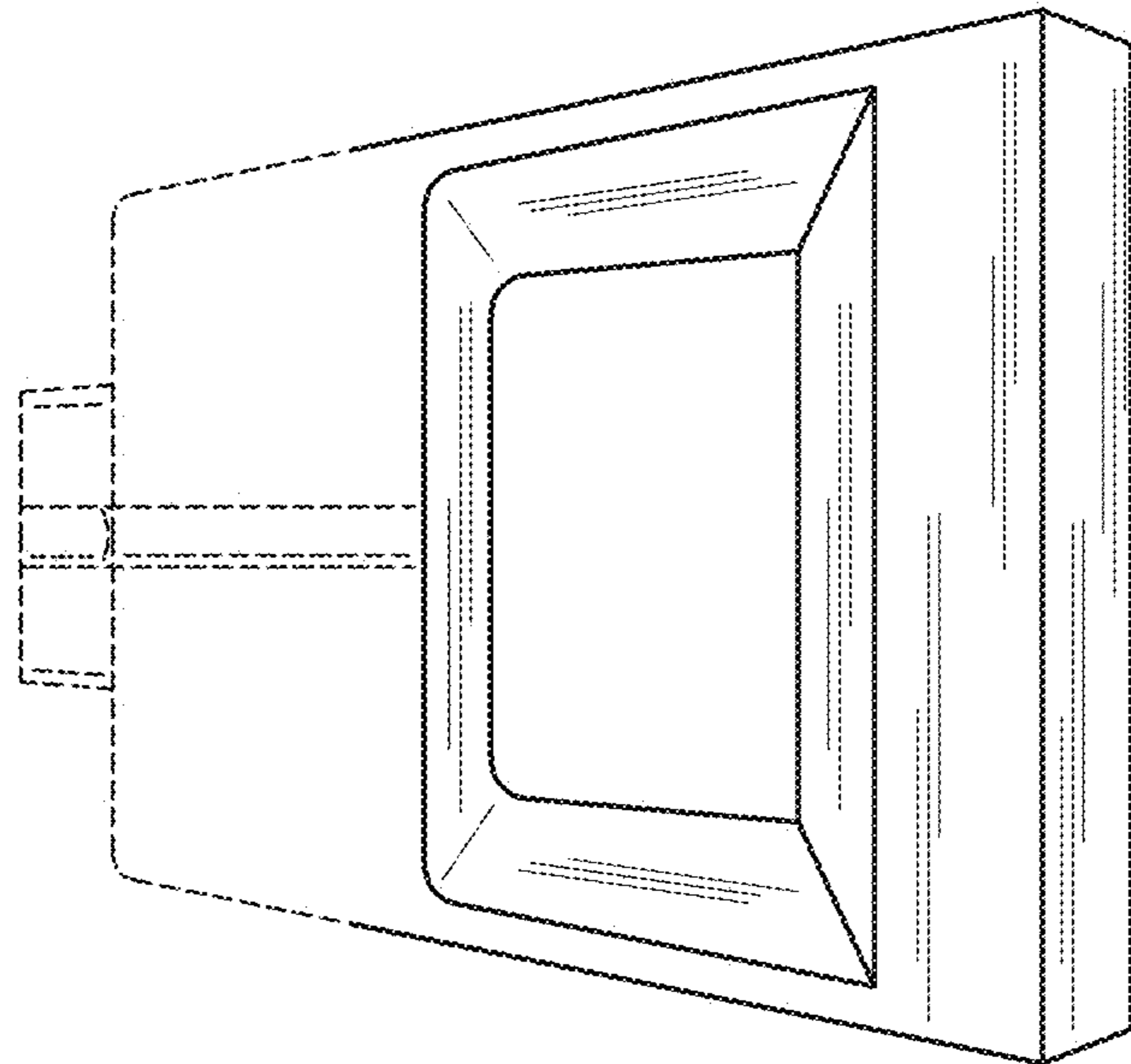


FIG.15

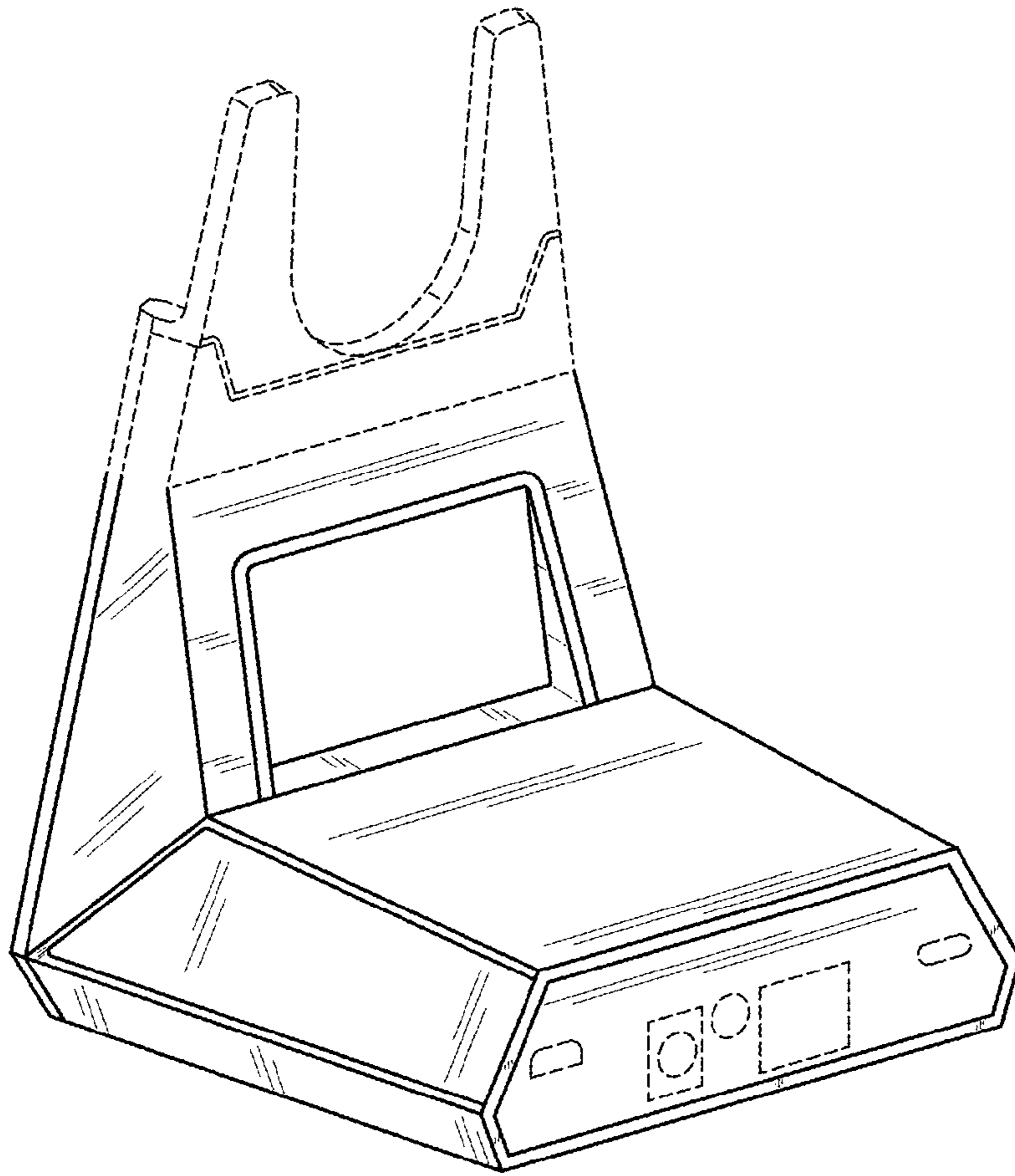


FIG. 17

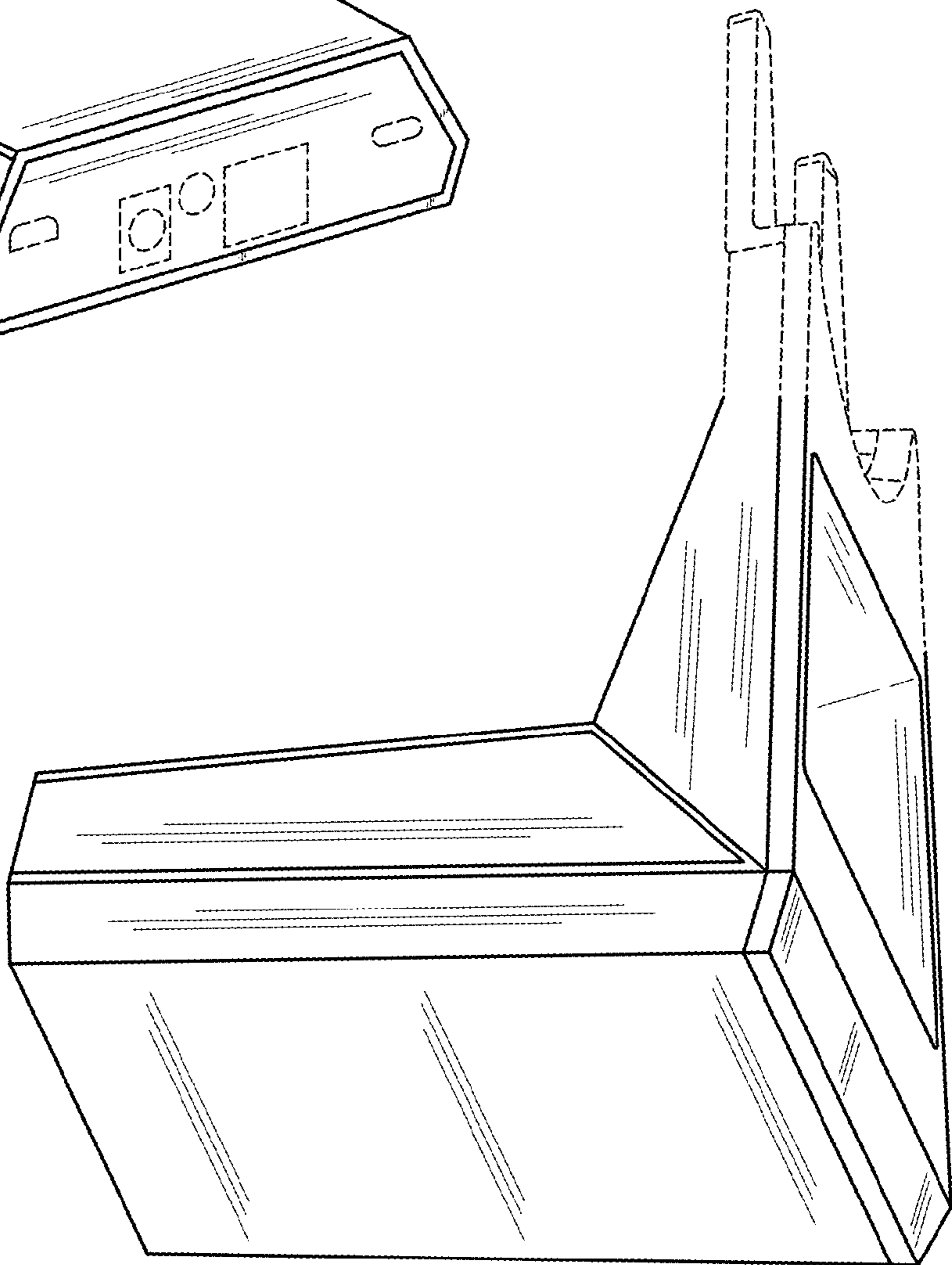


FIG. 18

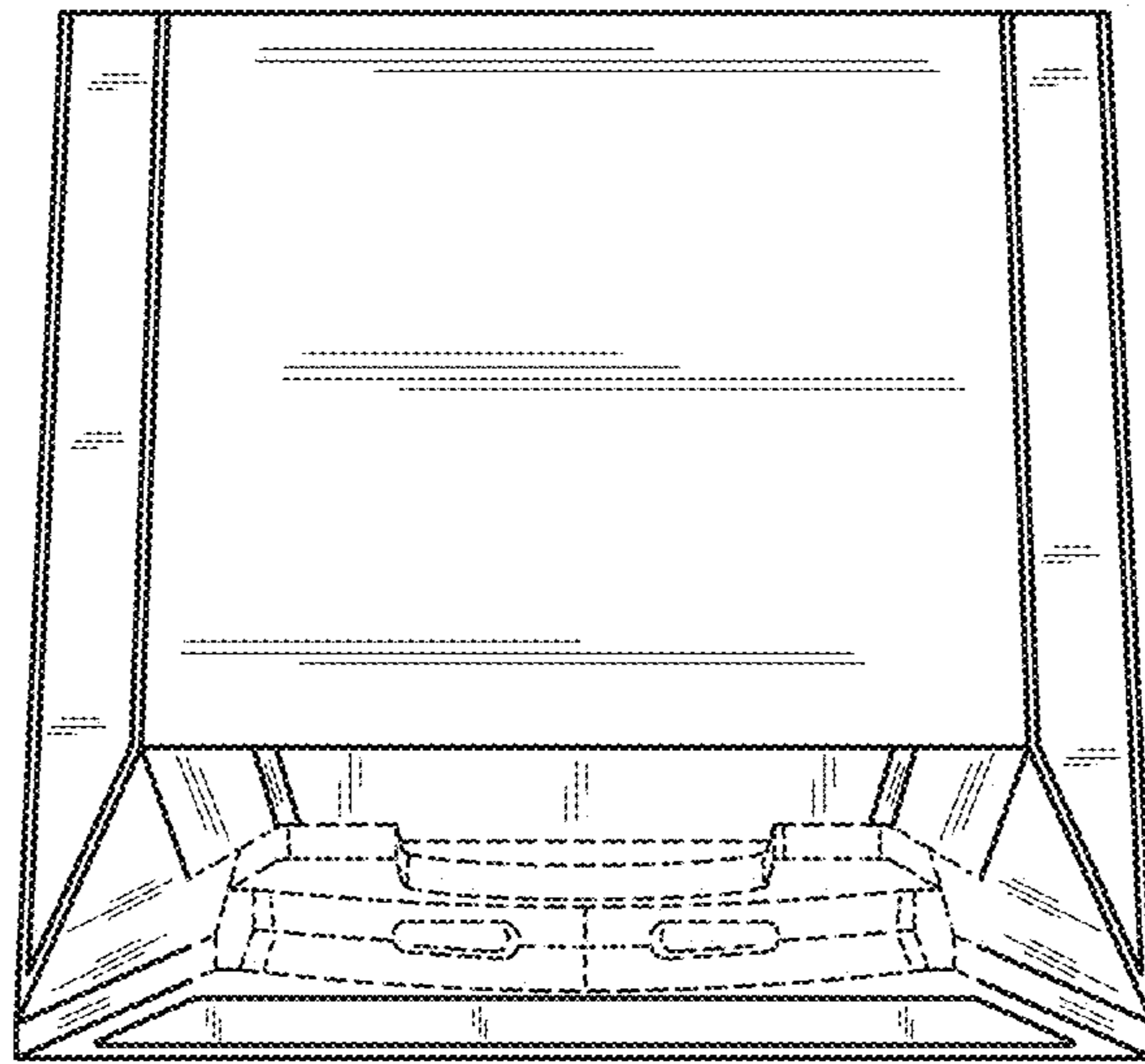


FIG. 19

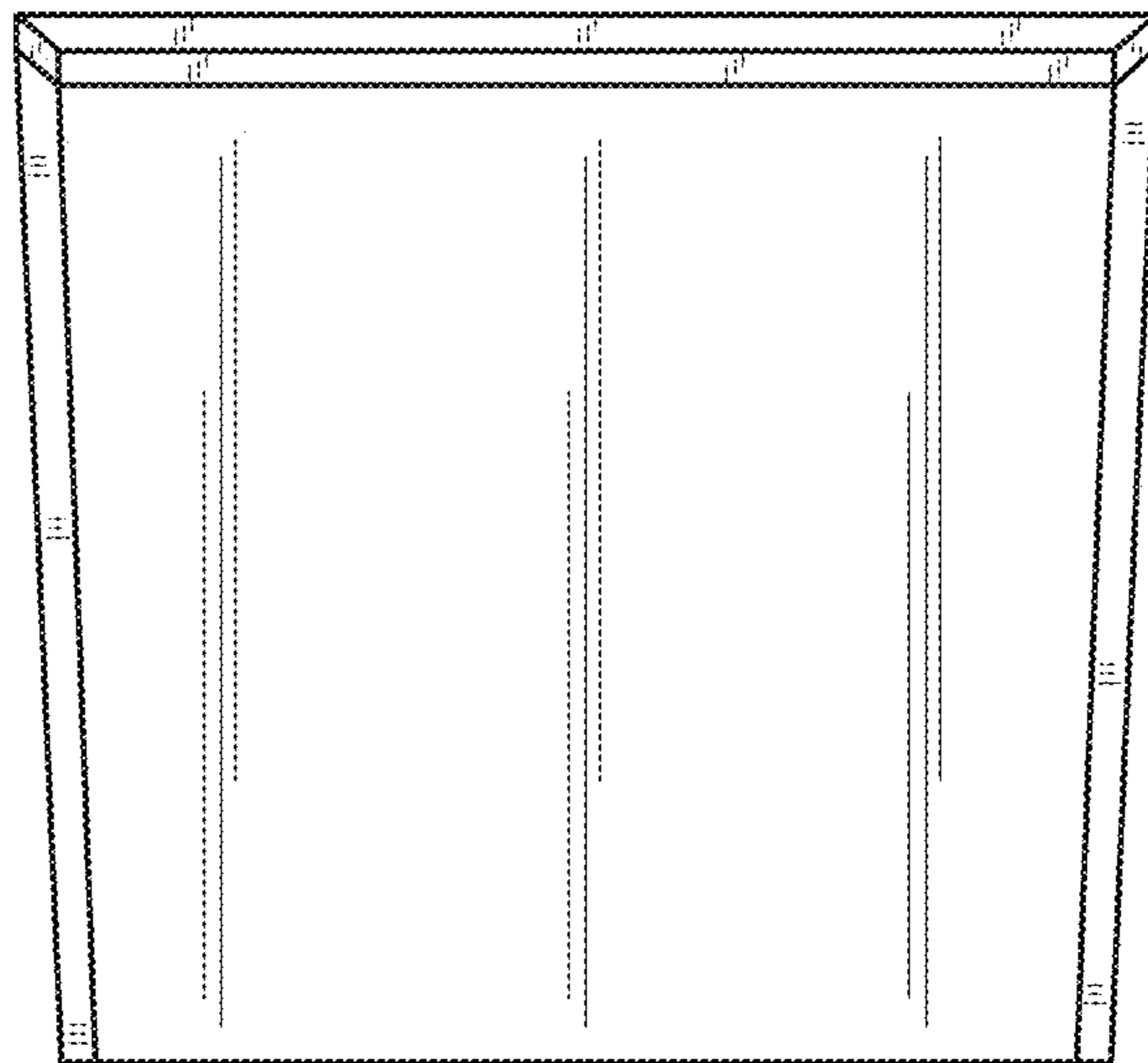


FIG. 20

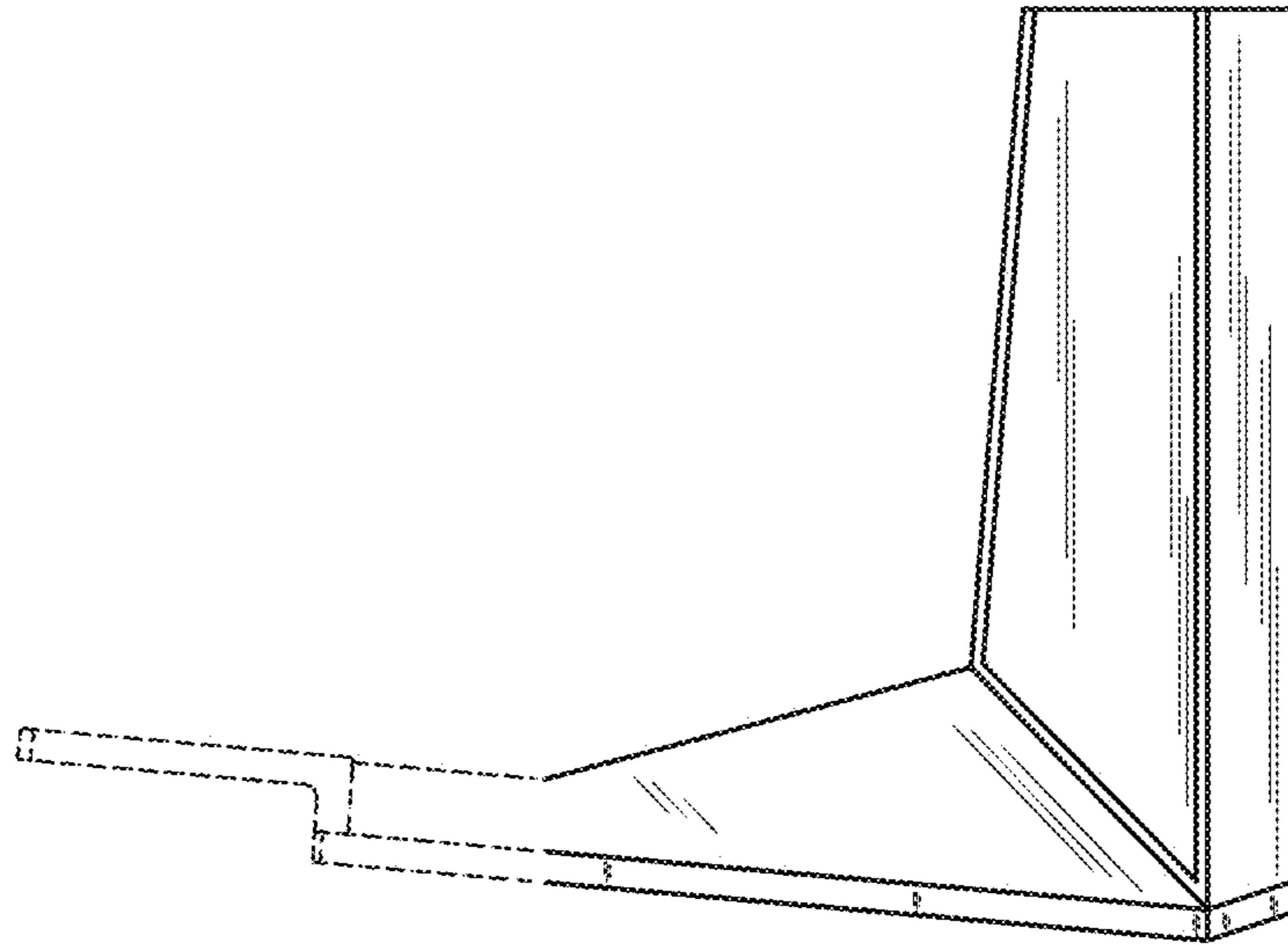


FIG. 22

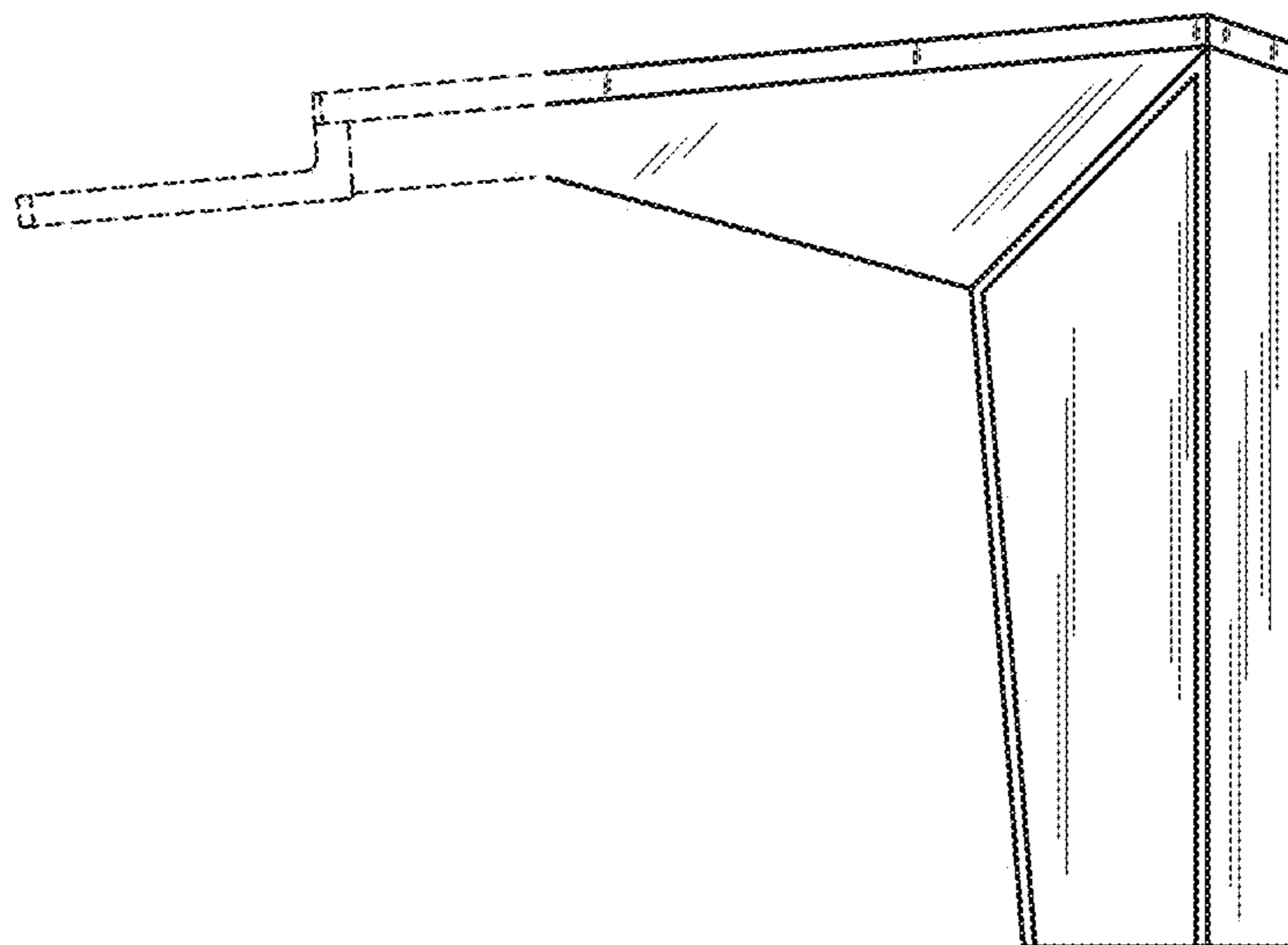


FIG. 21

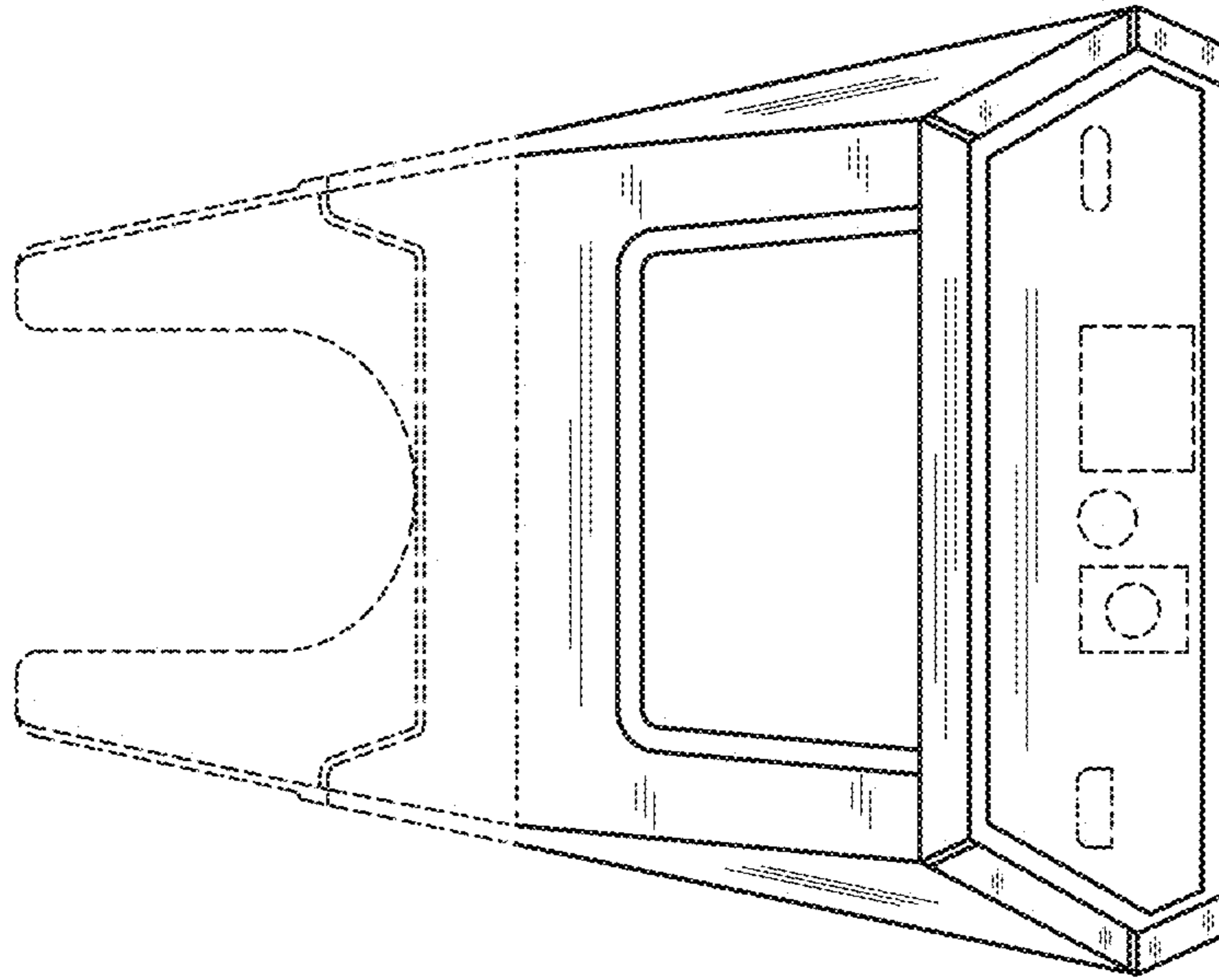


FIG. 23

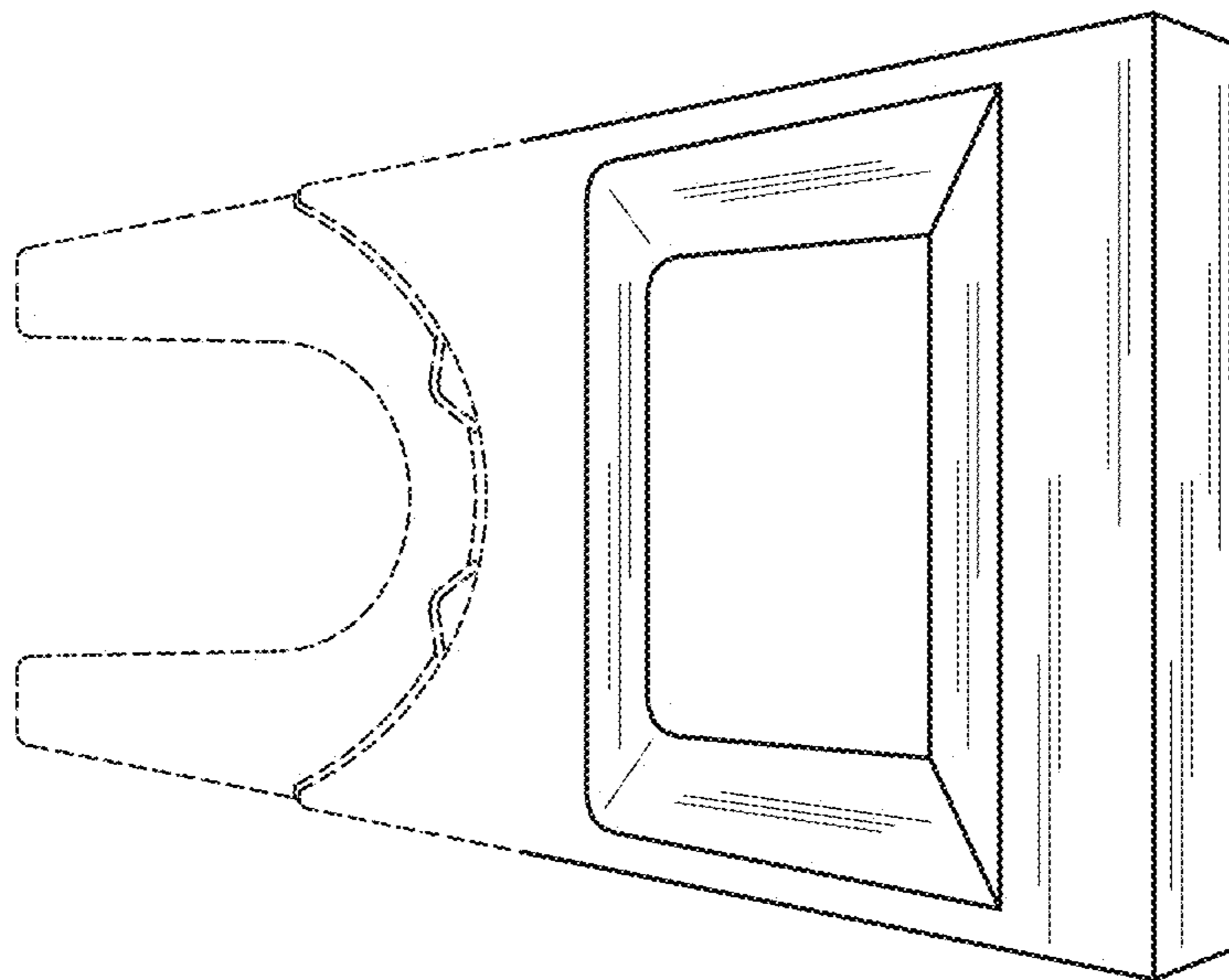


FIG. 24

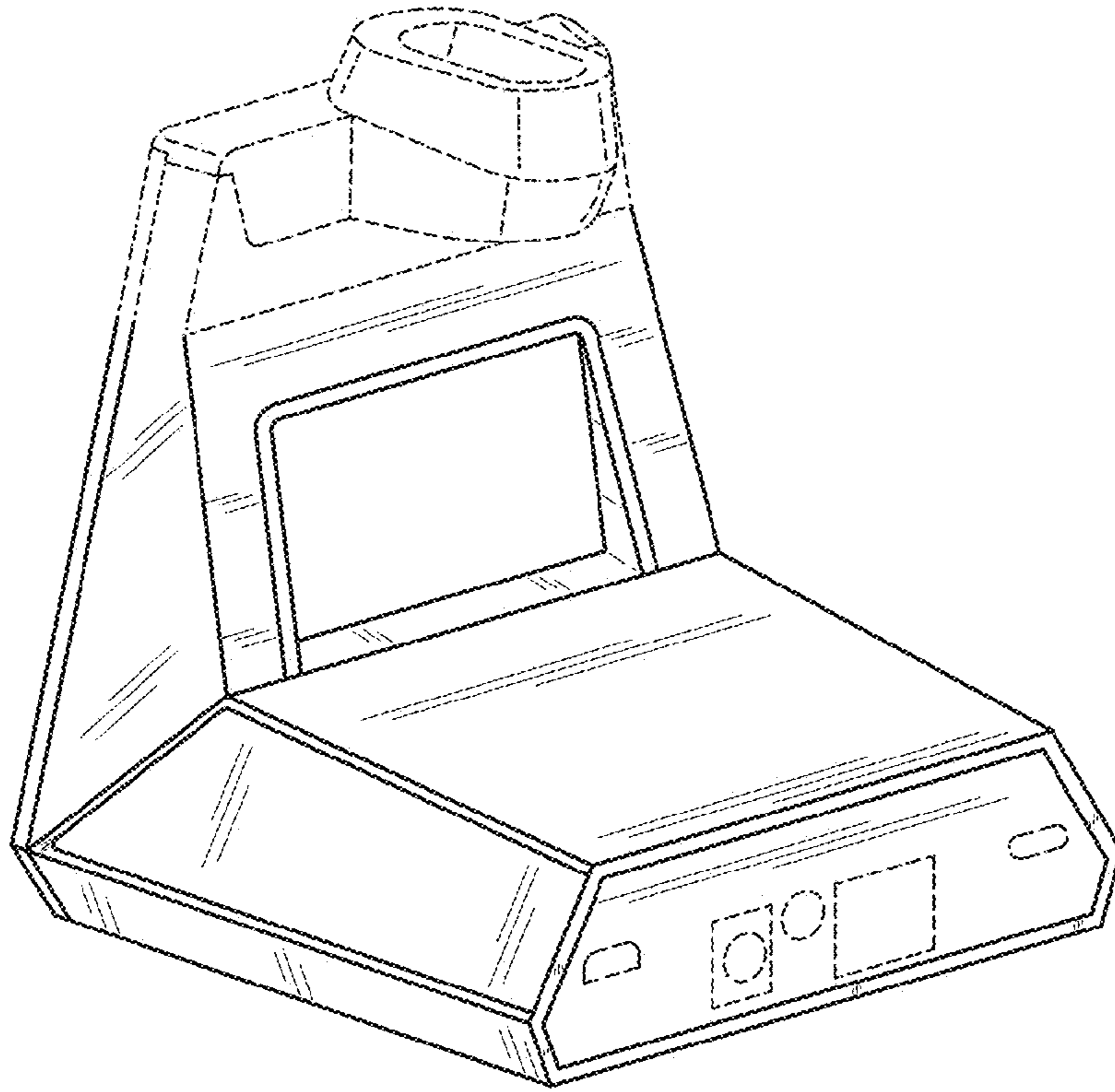


FIG. 25

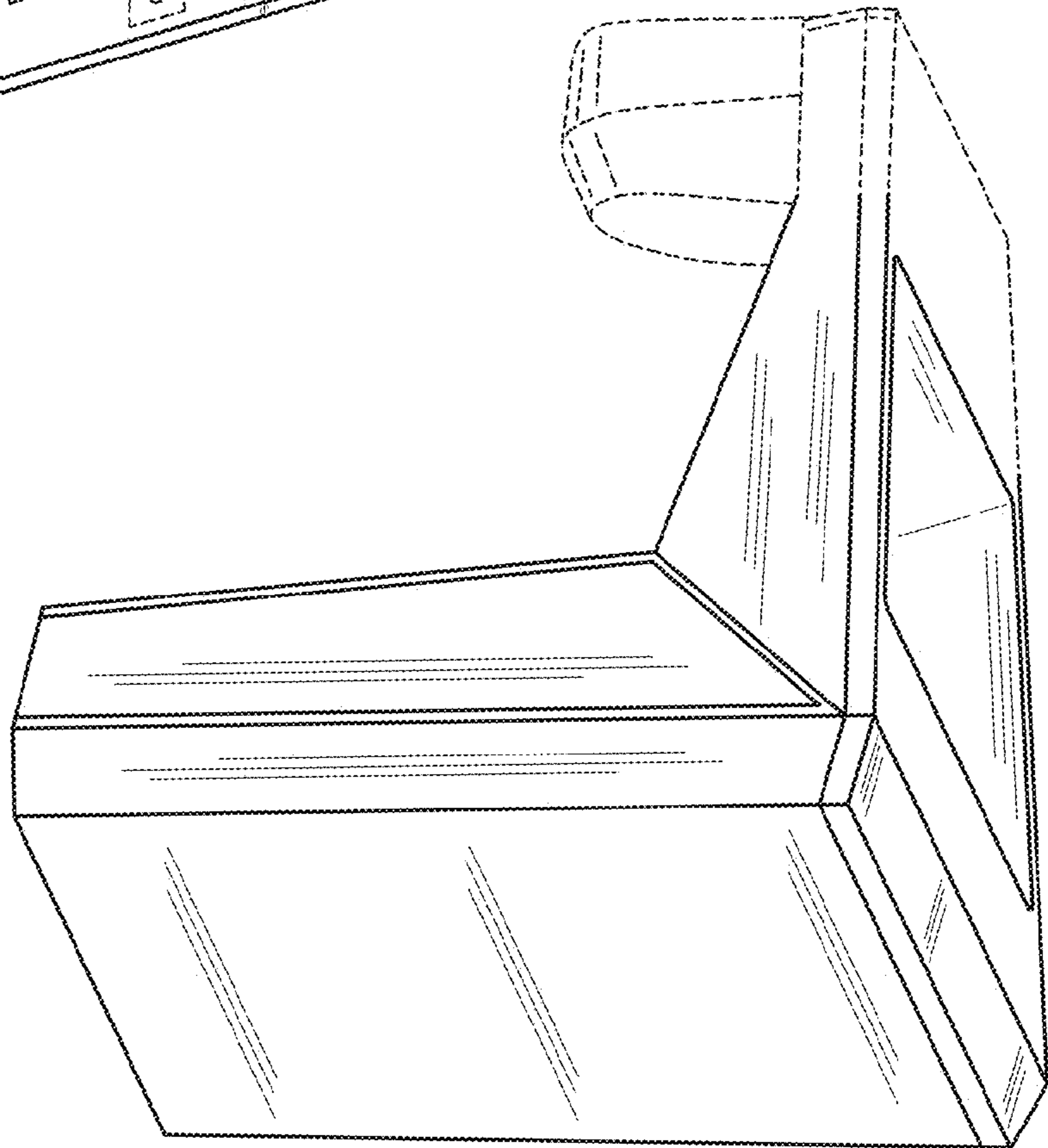


FIG. 26

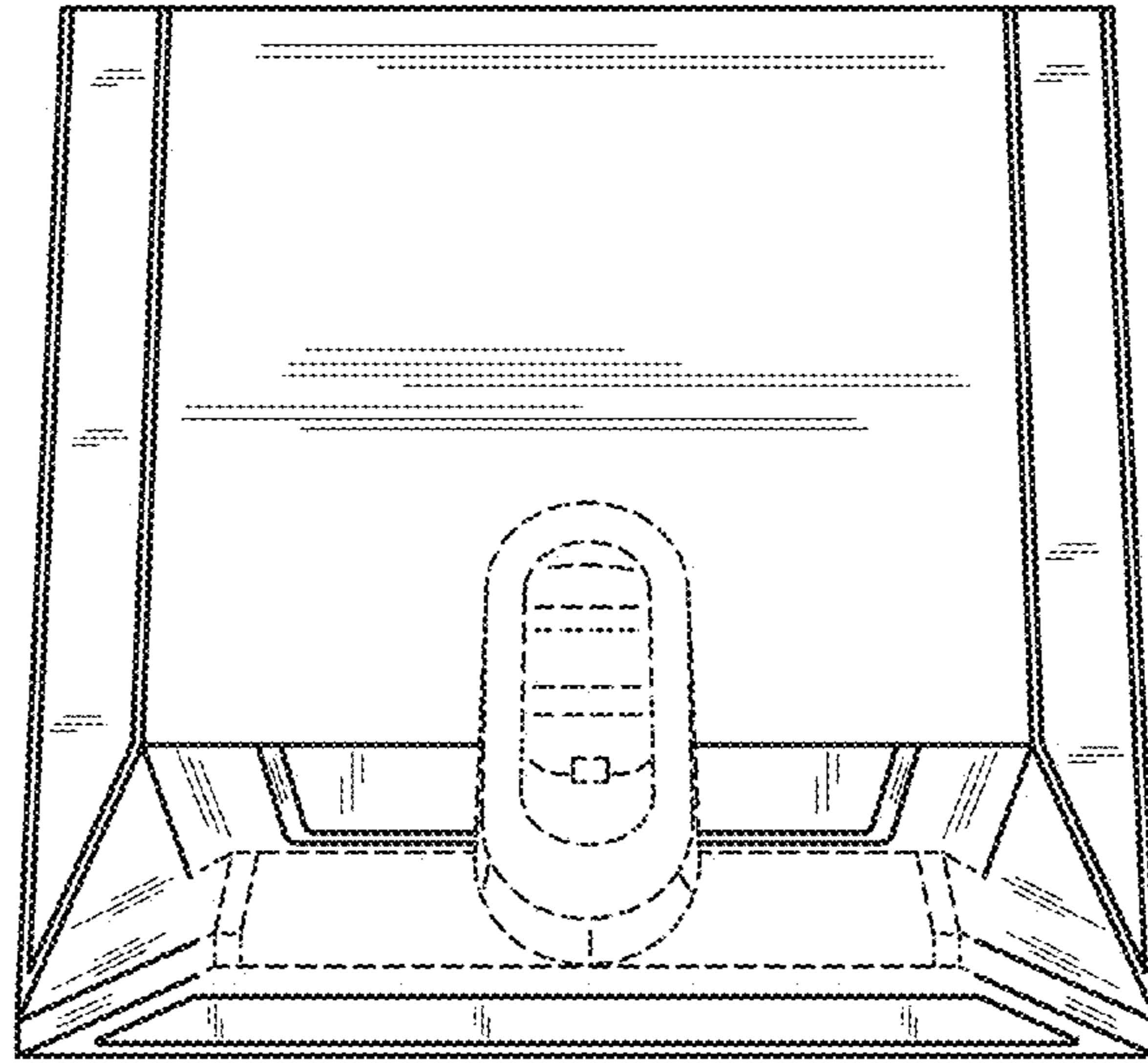


FIG. 27

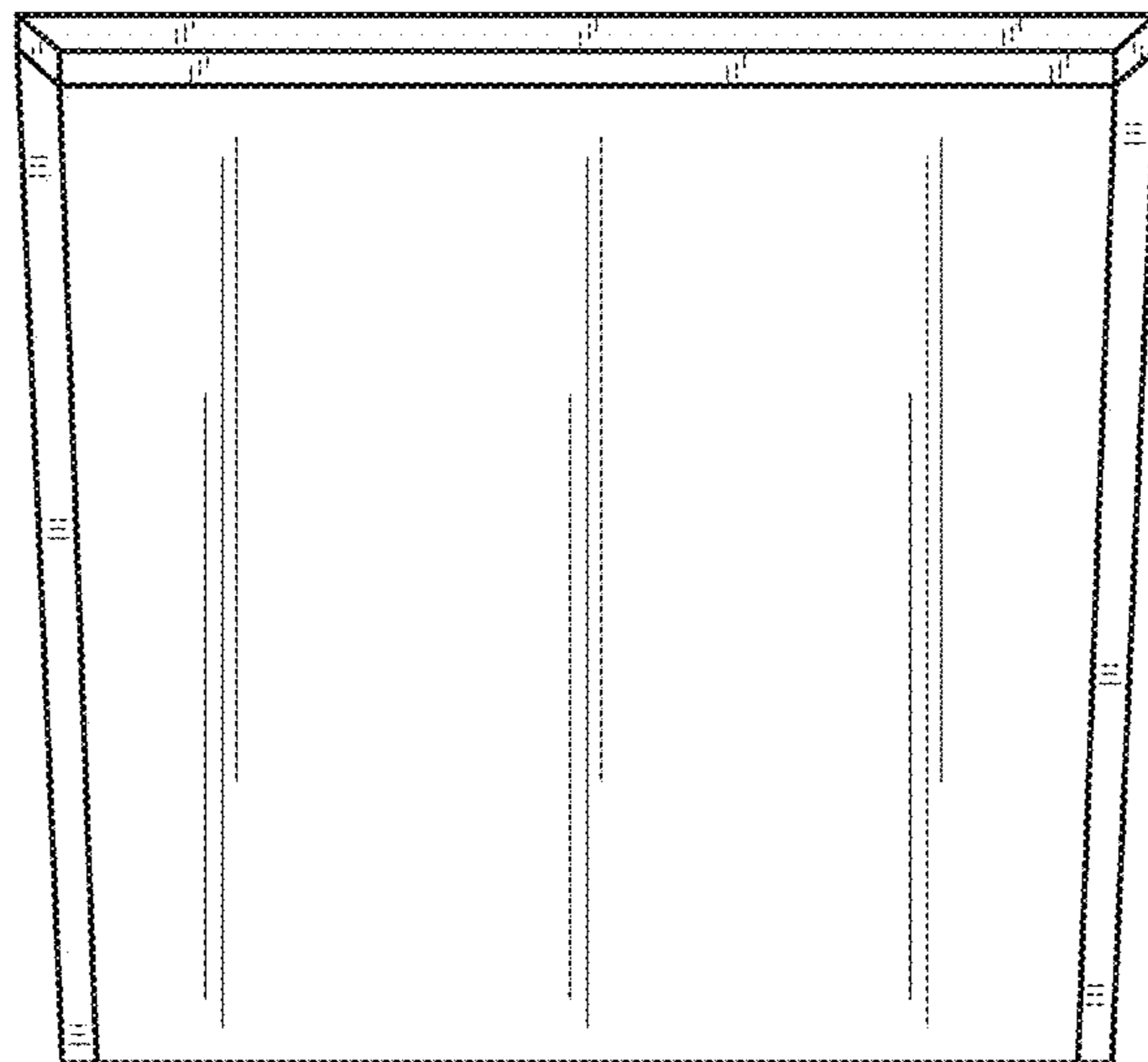


FIG. 28

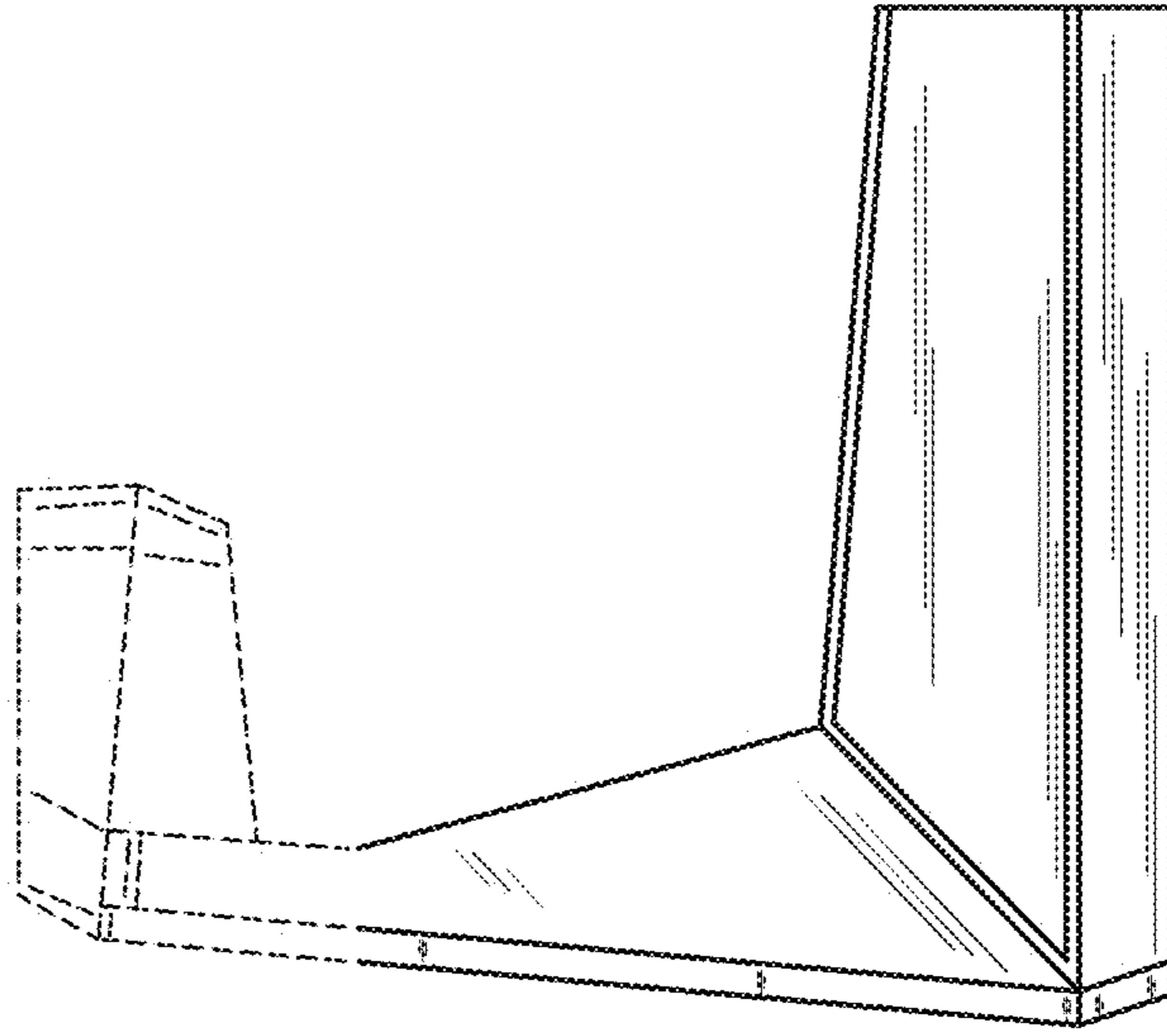


FIG.30

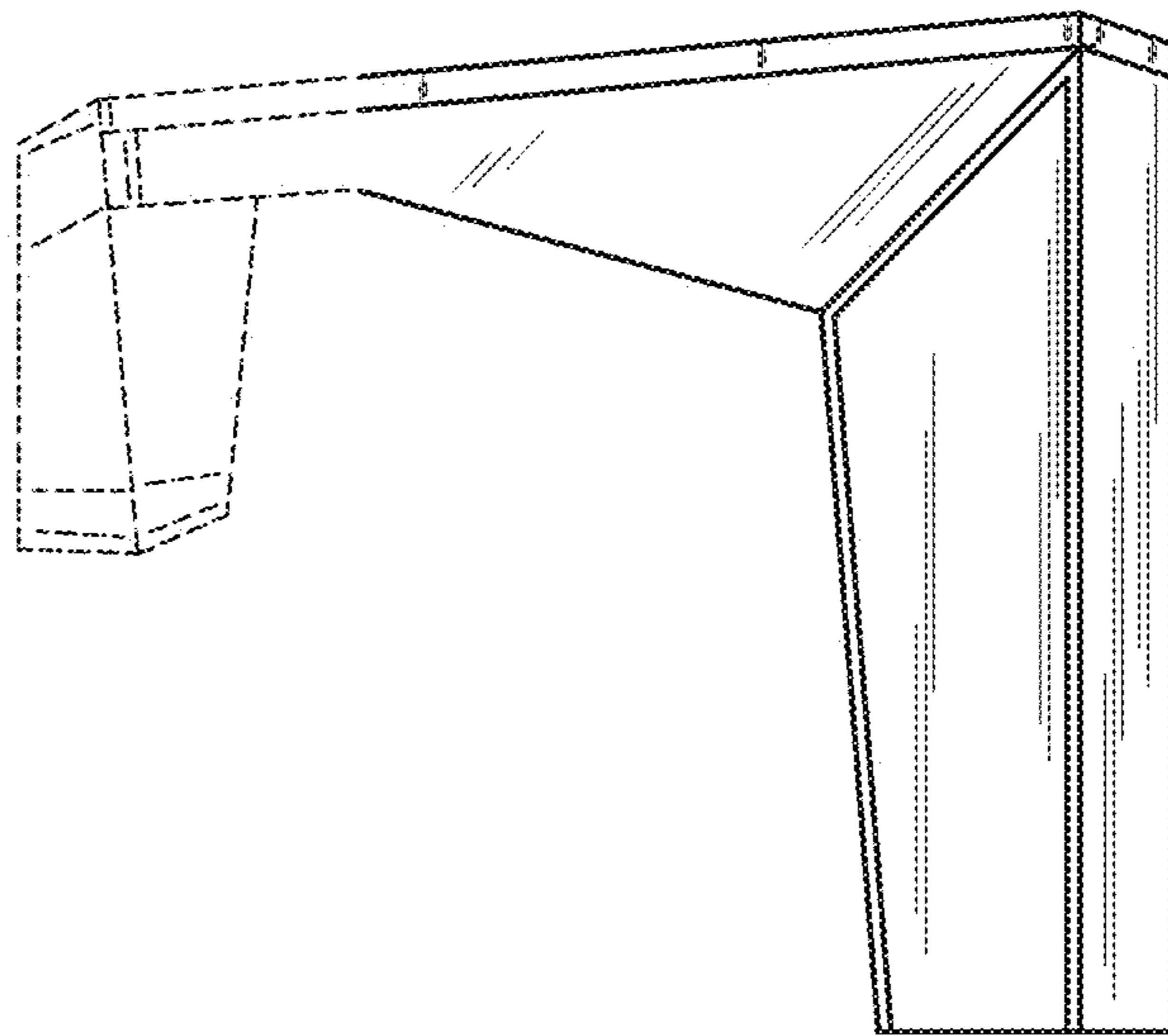


FIG.29

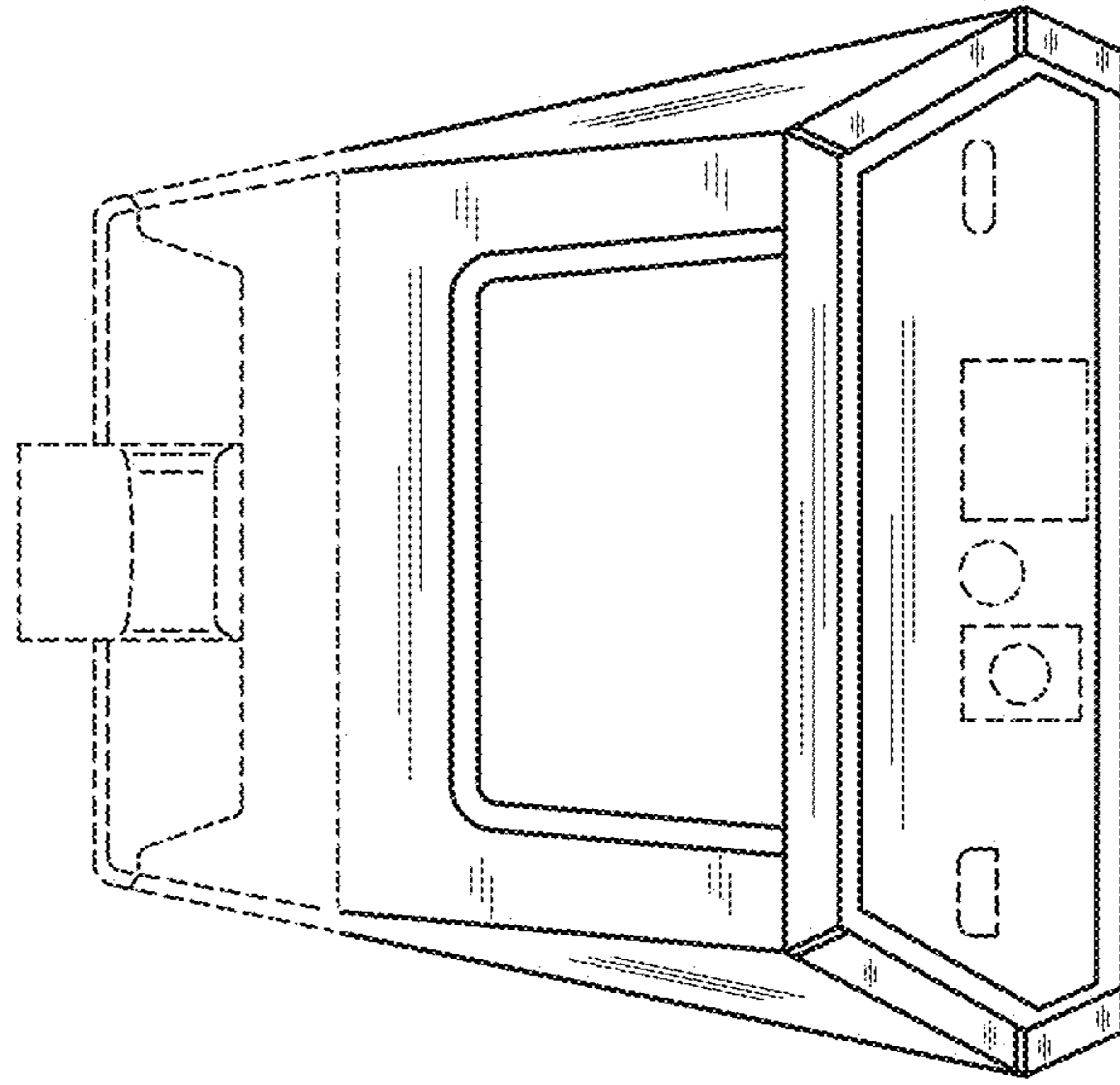


FIG. 32

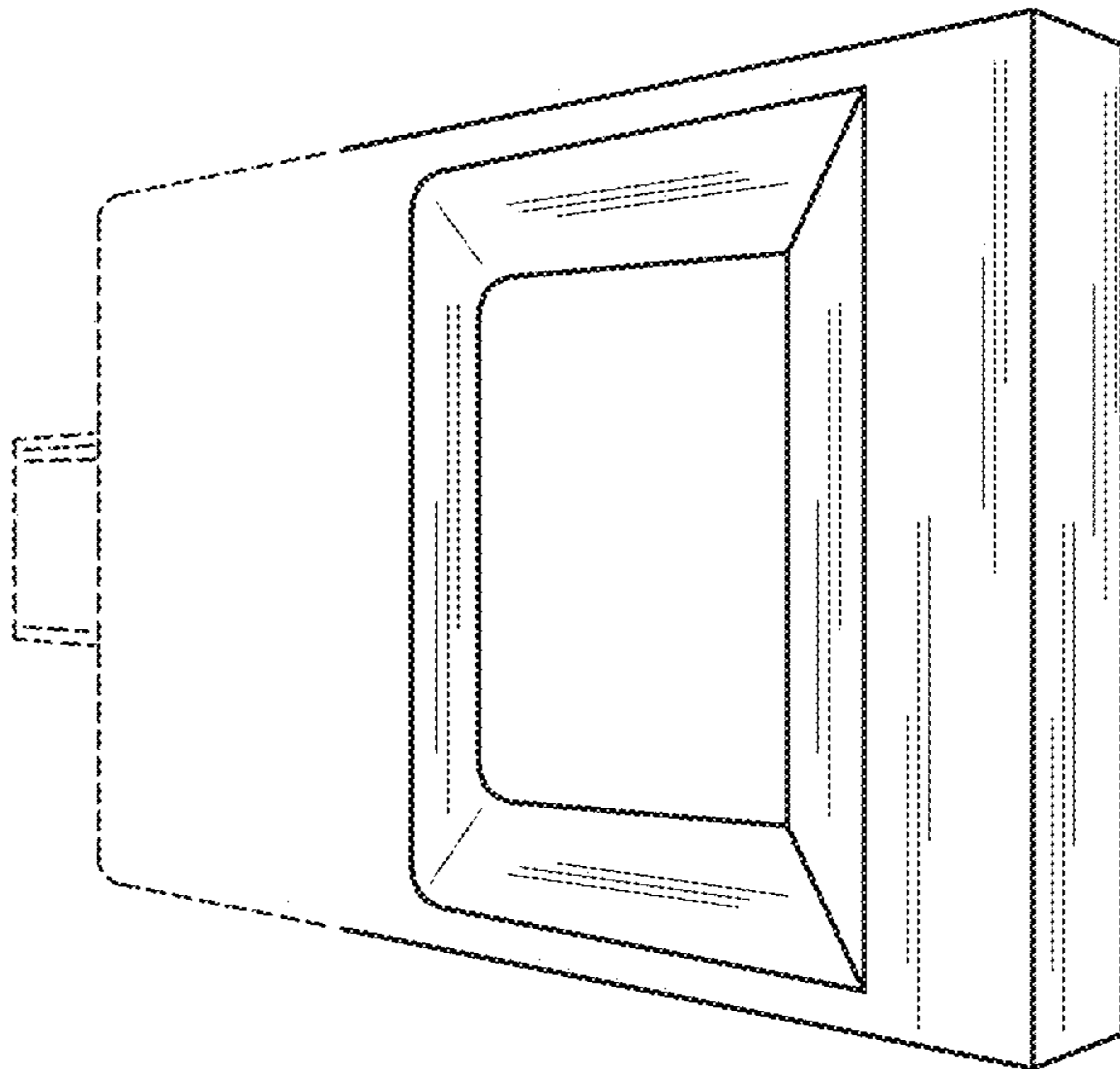


FIG. 31