



US00D918181S

(12) **United States Design Patent**
Bailey et al.

(10) **Patent No.:** **US D918,181 S**

(45) **Date of Patent:** **** May 4, 2021**

(54) **COMMUNICATION EARBUD**

(71) Applicant: **Plantronics, Inc.**, Santa Cruz, CA (US)

(72) Inventors: **Chase Patrick Bailey**, Santa Cruz, CA (US); **Matthew J Mainini**, Santa Cruz, CA (US)

(73) Assignee: **Plantronics, Inc.**, Santa Cruz, CA (US)

(**) Term: **15 Years**

(21) Appl. No.: **29/703,858**

(22) Filed: **Aug. 29, 2019**

(51) **LOC (13) Cl.** **14-01**

(52) **U.S. Cl.**
USPC **D14/223**

(58) **Field of Classification Search**
USPC D14/223, 205; D24/174; 128/864, 865,
128/866; 381/380, 381; 455/90.3, 575.1,
455/569.1

(Continued)

(56) **References Cited**

U.S. PATENT DOCUMENTS

D106,823 S * 11/1937 Sears D24/174
2,248,837 A * 7/1941 Walters H04R 25/652
381/380

(Continued)

FOREIGN PATENT DOCUMENTS

EM 007719497-0001 * 8/2019
EM 007725007-0001 * 3/2020

(Continued)

OTHER PUBLICATIONS

Unknown, "Jabra launches Third Generation true wireless earbuds,"
Jabra Press Releases, Jan. 8, 2018, 7 pages, found at URL <<https://www.jabra.com/about/news-and-press-releases/local/us/2018/3-gen-truewireless-press-release-8-january-2018>>.

(Continued)

Primary Examiner — Paula Allen Greene

(74) *Attorney, Agent, or Firm* — Ferguson Braswell
Fraser Kubasta PC

(57) **CLAIM**

The ornamental design for communication earbud, as shown and described.

DESCRIPTION

FIG. 1 is an outside perspective view of the left earbud according to an embodiment.

FIG. 2 is a front perspective view of the right earbud according to an embodiment.

FIG. 3 is an inside perspective view of the left earbud according to an embodiment.

FIG. 4 is an outside perspective view of the right earbud according to an embodiment.

FIG. 5 is a front view of the left earbud according to an embodiment.

FIG. 6 is a front view of the right earbud according to an embodiment.

FIG. 7 is a back view of the left earbud according to an embodiment.

FIG. 8 is a back view of the right earbud according to an embodiment.

FIG. 9 is an outside view of the left earbud according to an embodiment.

FIG. 10 is an outside view of the right earbud according to an embodiment.

FIG. 11 is a top down view of the left earbud according to an embodiment.

FIG. 12 is a top down view of the right earbud according to an embodiment.

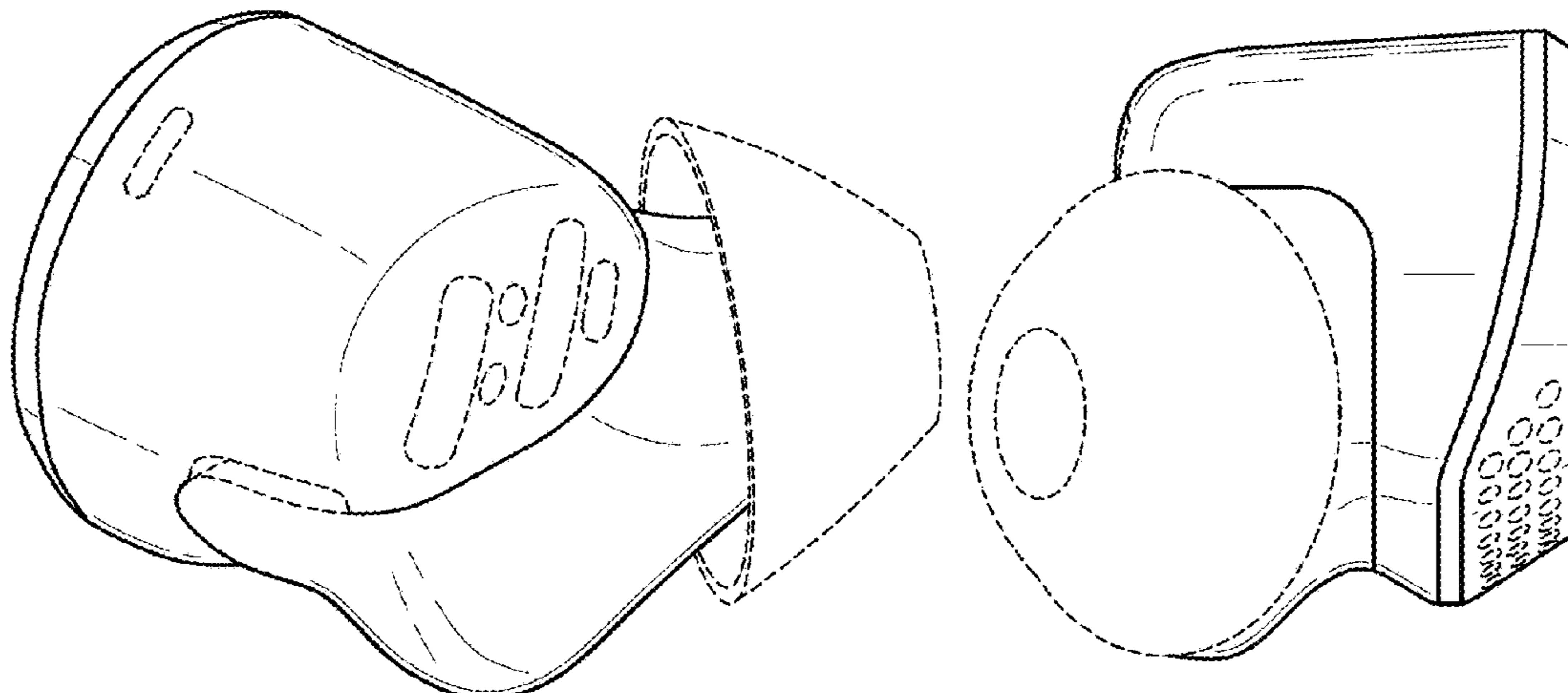
FIG. 13 is a bottom up view of the left earbud according to an embodiment.

FIG. 14 is a bottom up view of the right earbud according to an embodiment.

FIG. 15 is an inside view of the left earbud according to an embodiment; and,

FIG. 16 is an inside view of the right earbud according to an embodiment.

(Continued)



The broken lines showing the ear tips, holes, charging ports, microphone holes are for the purpose of illustrating portions of the article and form no part of the claimed design.

The thin, black lines show contour of the surfaces of the communication earbud, and are not actual lines on the communication earbud.

1 Claim, 9 Drawing Sheets

(58) Field of Classification Search

CPC H04R 1/10; H04R 25/00; H04R 25/02;
H04R 1/1066; H04R 1/1016; H04R
5/033; H04R 5/0335; H04R 1/105; H04R
1/1083; H04R 1/1091

See application file for complete search history.

(56) References Cited

U.S. PATENT DOCUMENTS

5,692,059 A * 11/1997 Kruger H04R 1/1016
381/151
D603,380 S * 11/2009 Hutchieson D14/223
D618,211 S * 6/2010 Oguro D14/205
D621,817 S * 8/2010 Brickstad D14/223
D632,677 S * 2/2011 Brown D14/223
D635,558 S * 4/2011 Zheng D14/223
D641,010 S * 7/2011 Kwon D14/223
D641,011 S * 7/2011 Gondo D14/223
D652,817 S * 1/2012 Lee D14/205
D666,580 S * 9/2012 Lee D14/223
D666,581 S * 9/2012 Perez D14/223
D668,244 S * 10/2012 Matsumura D14/223
D693,795 S * 11/2013 Paradise D14/223
D698,026 S * 1/2014 Kuwata D24/174
D705,757 S * 5/2014 Yashiro H04R 1/10
D14/223
8,776,801 B2 * 7/2014 McIntosh H04R 25/656
128/864
D711,356 S * 8/2014 Yang D14/223
D719,139 S * 12/2014 Henry D14/223
D719,550 S * 12/2014 Yang D14/223
D729,775 S * 5/2015 Seo D14/223
D733,103 S * 6/2015 Jeong D14/224
D735,169 S * 7/2015 Shieh D14/223
D761,770 S * 7/2016 Kanou D14/223
D764,445 S * 8/2016 Czaniecki D14/223
D773,439 S * 12/2016 Walker D14/223
D777,710 S * 1/2017 Palmborg D14/223
D778,267 S * 2/2017 Hsieh D14/223
D781,269 S * 3/2017 Choe D14/223
D788,079 S * 5/2017 Son D14/223
D789,909 S * 6/2017 Hung D14/223
D795,224 S * 8/2017 Valenzuela D14/223
D800,097 S * 10/2017 Chen D14/223
D809,487 S * 2/2018 Lee D14/223
9,961,434 B2 * 5/2018 Kelly H04R 1/1066
D822,008 S * 7/2018 Tsubone D14/223
D822,646 S * 7/2018 Dang D14/223
D824,371 S * 7/2018 Loermann D14/223
D840,372 S * 2/2019 Carr
D841,626 S * 2/2019 Tang D14/223
D843,354 S * 3/2019 Kumano D14/223
D845,932 S * 4/2019 Lu D14/223
D847,126 S * 4/2019 Loermann D14/223
D852,171 S * 6/2019 Cai D14/223
D852,783 S * 7/2019 Hueber D14/223

D852,784 S * 7/2019 Cramer H04R 1/1008
D14/223
D853,987 S * 7/2019 Kelley et al.
D858,489 S * 9/2019 Hu D14/223
D863,263 S * 10/2019 Yu D14/223
D864,919 S * 10/2019 Bonahoom D14/223
D866,530 S * 11/2019 Birger D14/223
D871,376 S * 12/2019 Zhou D14/223
D872,064 S * 1/2020 Cai D14/223
D873,248 S * 1/2020 Weicheng D14/223
D873,805 S * 1/2020 Yang D14/223
D875,070 S * 2/2020 Carr
D876,398 S * 2/2020 Cai D14/223
D877,720 S * 3/2020 Madramotoo D14/223
D883,261 S * 5/2020 Zhang D14/223
D883,262 S * 5/2020 Wu D14/223
D887,395 S * 6/2020 Wang D14/223
D889,441 S * 7/2020 Lin D14/223
D893,461 S * 8/2020 Gu D14/223
D896,205 S * 9/2020 Zhang D14/223
D902,182 S * 11/2020 Wang D14/223
D904,350 S * 12/2020 Zhou D14/223
D905,664 S * 12/2020 He D14/223
2016/0316292 A1 * 10/2016 Huang H04R 1/2834
2017/0094384 A1 * 3/2017 Trainer H04R 1/105
2020/0177981 A1 * 6/2020 Ma H04R 1/1058

FOREIGN PATENT DOCUMENTS

EM 008166235-0002 * 9/2020
JP D1639035 S 8/2019
KR 3010014360000 S 4/2019

OTHER PUBLICATIONS

Unknown, "MOMENTUM True Wireless and forthcoming AMBEO Soundbar set benchmarks in audio," Sennheiser at IFA 2018, Sennheiser Press Release, Aug. 30, 2018, 3 pages, found at URL <<https://en-us.sennheiser.com/momentum-true-wireless-and-forthcoming-ambeo-soundbar-set-benchmarks-in-audio>>.
Sade, "Air Earbuds by CrazyBaby," MAJORHiFi Latest News, Oct. 18, 2016, 3 pages, found at URL <<https://majorhifi.com/air-earbuds-crazybaby/>>.
Vlad Savov, "Samsung Galaxy Buds Review: Imperfectly Acceptable," The Verge Reviews, Mar. 8, 2019, 8 pages, found at URL <<https://www.theverge.com/2019/3/8/18255221/samsung-galaxy-buds-headphones-truly-wireless-review-price-specs-features>>.
Unknown, "Introducing New MWO7 True Wireless Earphones," Master Dynamic Blog, Sep. 1, 2018, 3 pages, found at URL <<https://blog.masterdynamic.com/article/introducing-new-mw07-true-wireless-earphones/>>.
Sean O'Kane, "Bose SoundSport Free Review: Truly Wireless Earbuds Never Sounded So Good," The Verge Reviews, Oct. 27, 2017, 7 pages, found at URL <<https://www.theverge.com/circuitbreaker/2017/10/27/16508068/bose-soundsport-free-review-truly-wireless-earbuds>>.
Sean O'Kane, "Bragi's new wireless earbuds are simpler and a lot cheaper," The Verge Reviews, Sep. 5, 2016, 3 pages, found at URL <<https://www.theverge.com/2016/9/5/12798640/bragi-wireless-headphones-earbuds-price-release-date>>.
Unknown, "Meet Samsung's Cord-Free earbuds, Gear IconX," Samsung Newsroom, Jul. 20, 2016, 6 pages, found at URL <<https://news.samsung.com/global/meet-samsungs-cord-free-earbuds-gear-iconx>>.
Taiwan IPO Search Report for Taiwan Design Application No. 109300897, dated Aug. 24, 2020 and English Translation Thereof (2 pages total).

* cited by examiner

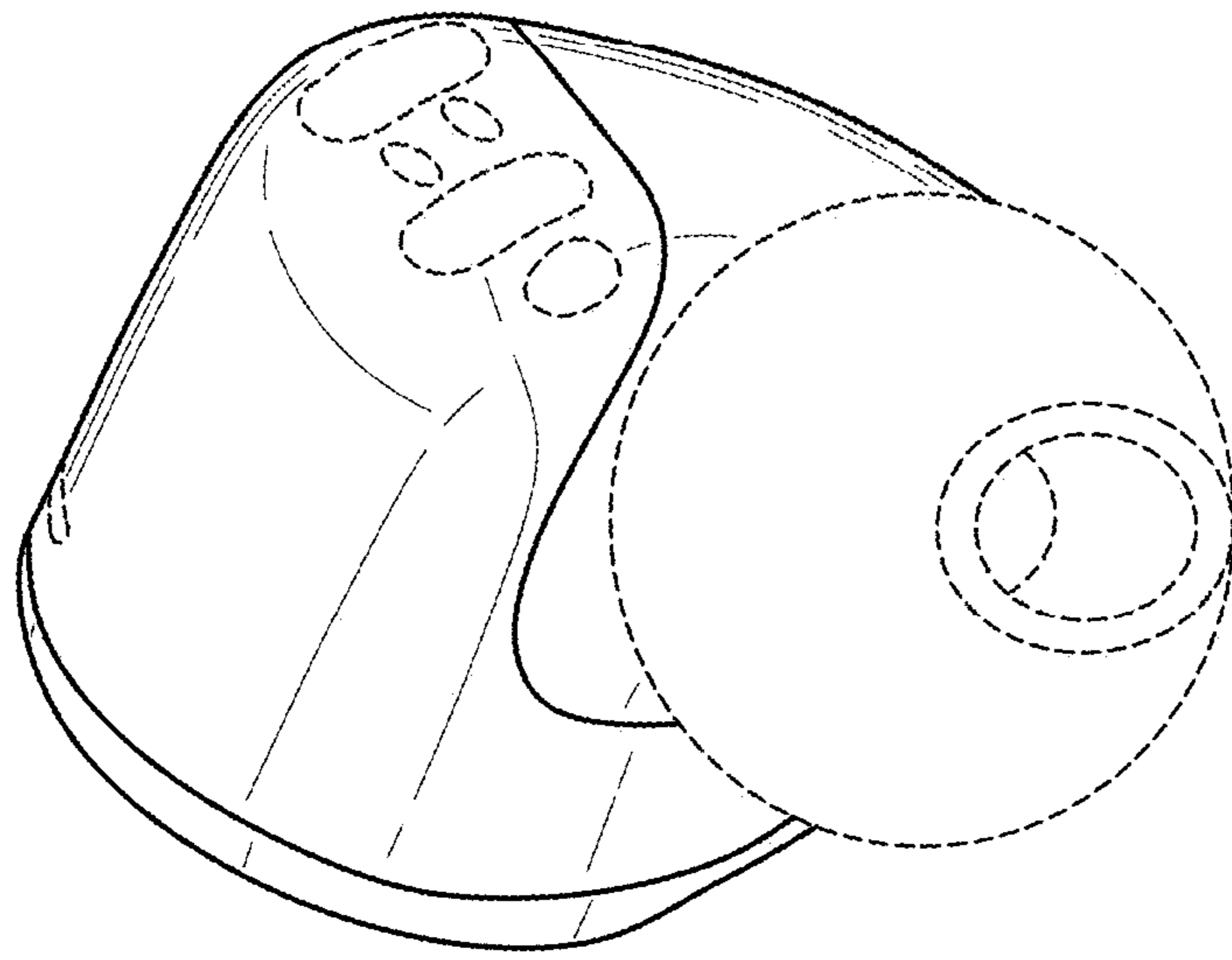


FIG. 2

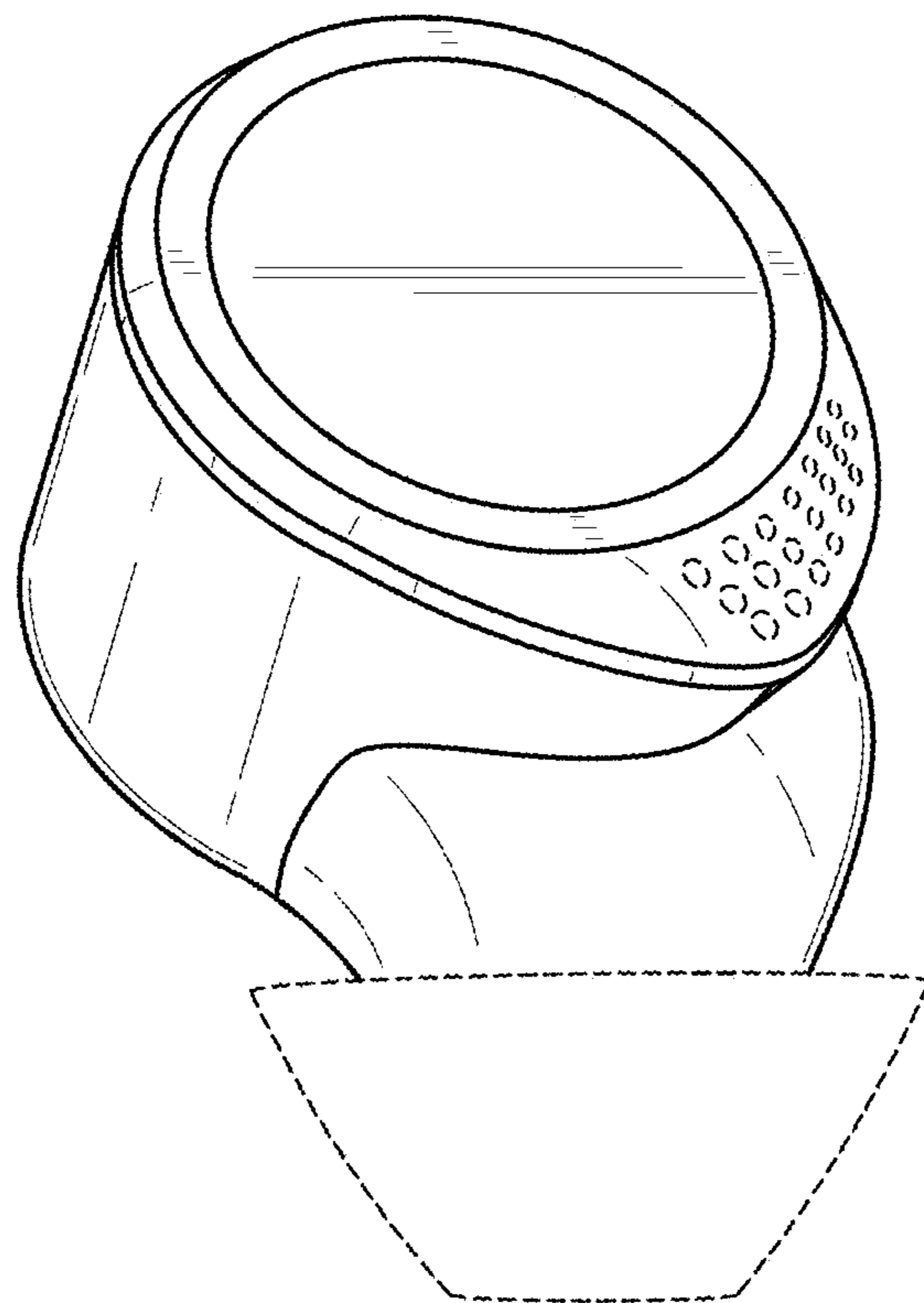


FIG. 1

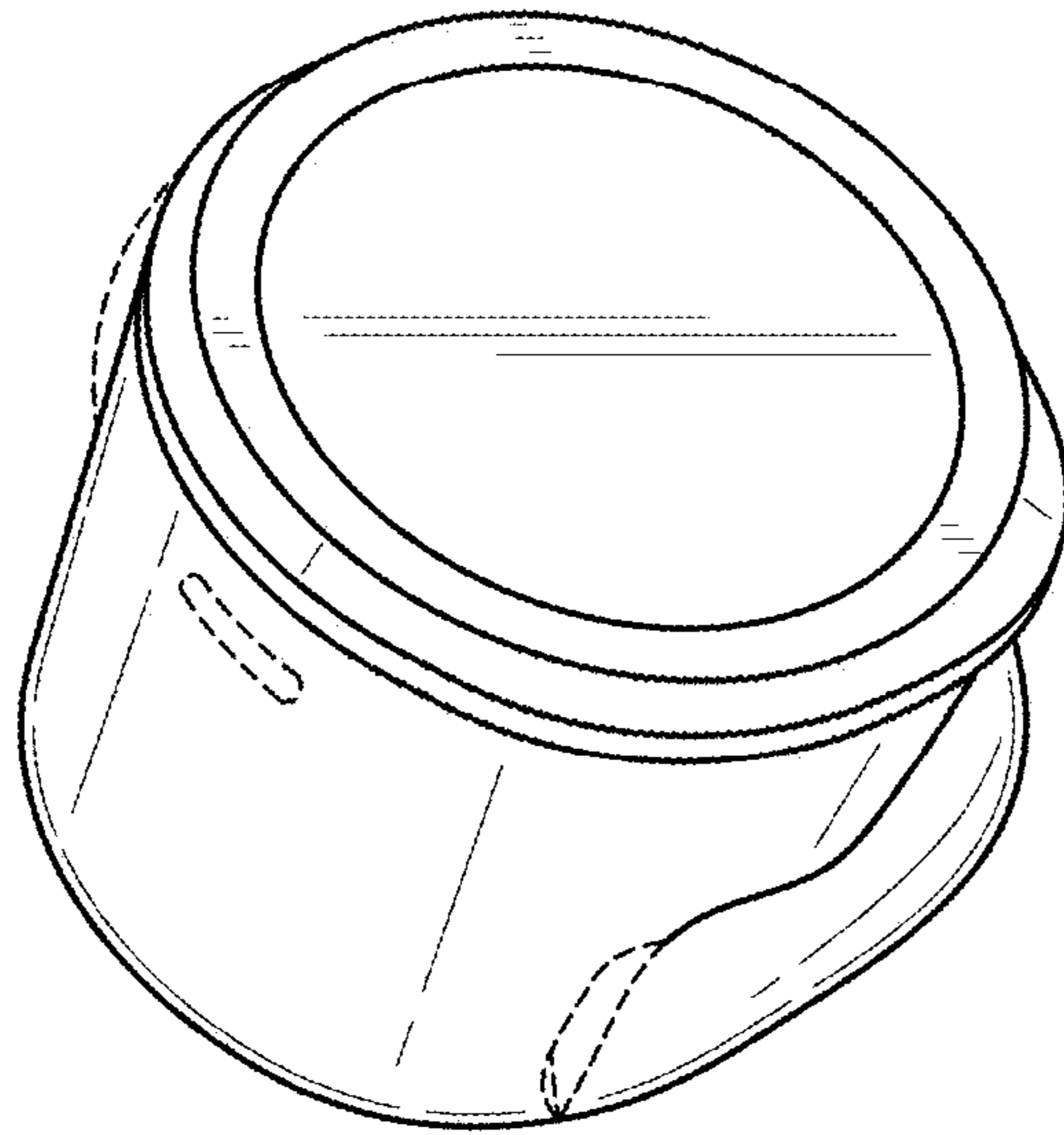


FIG. 4

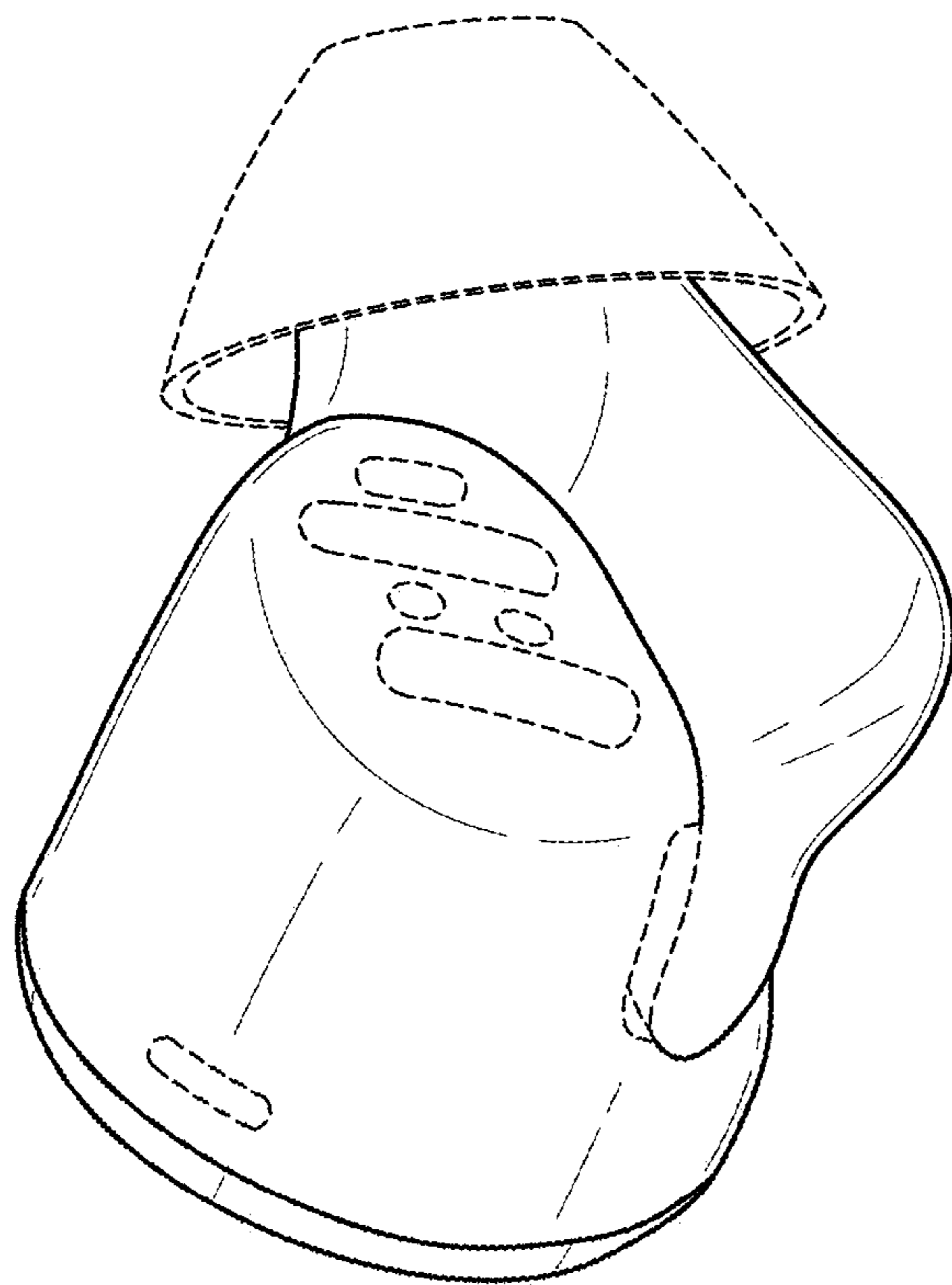


FIG. 3

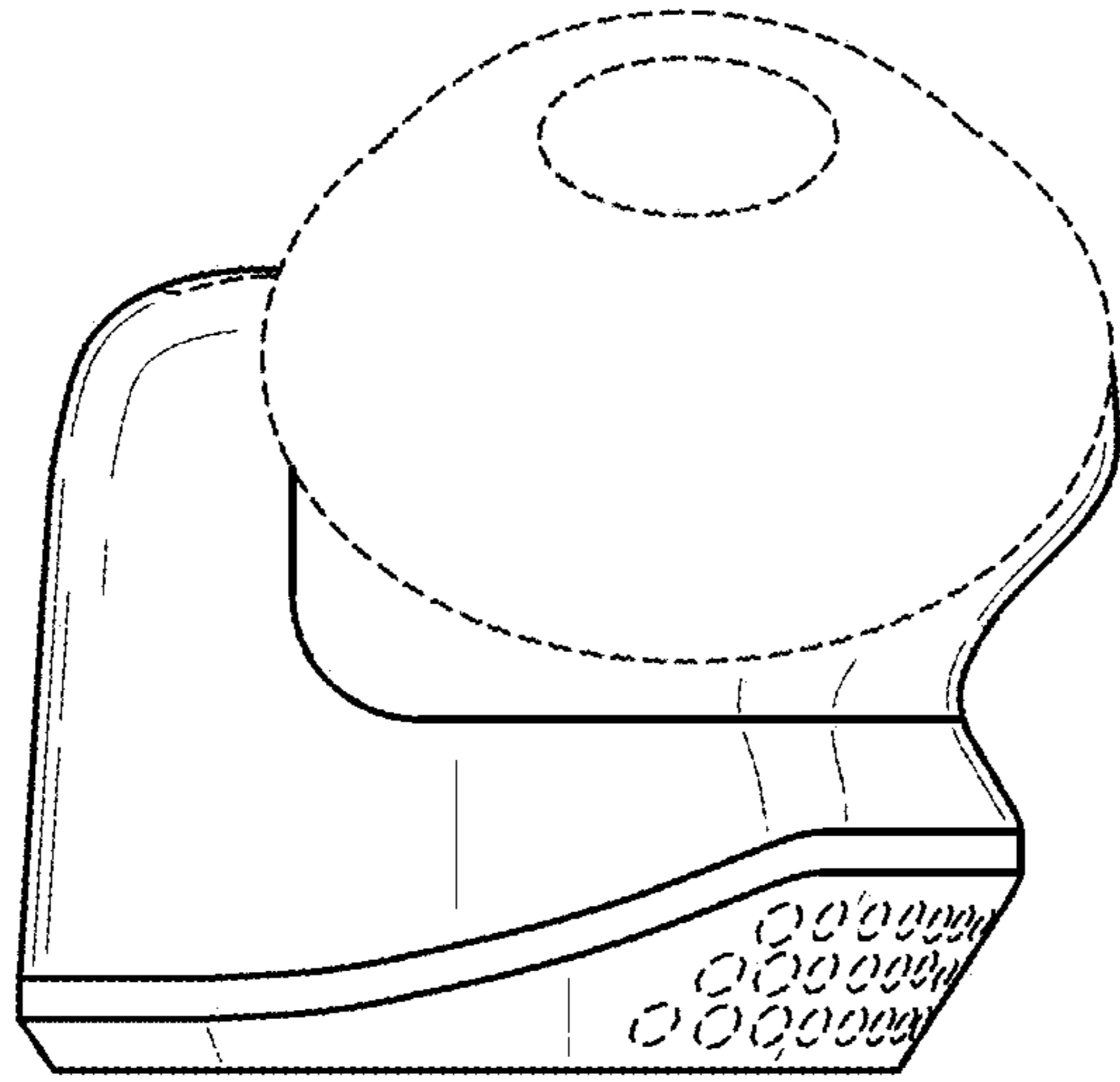


FIG. 6

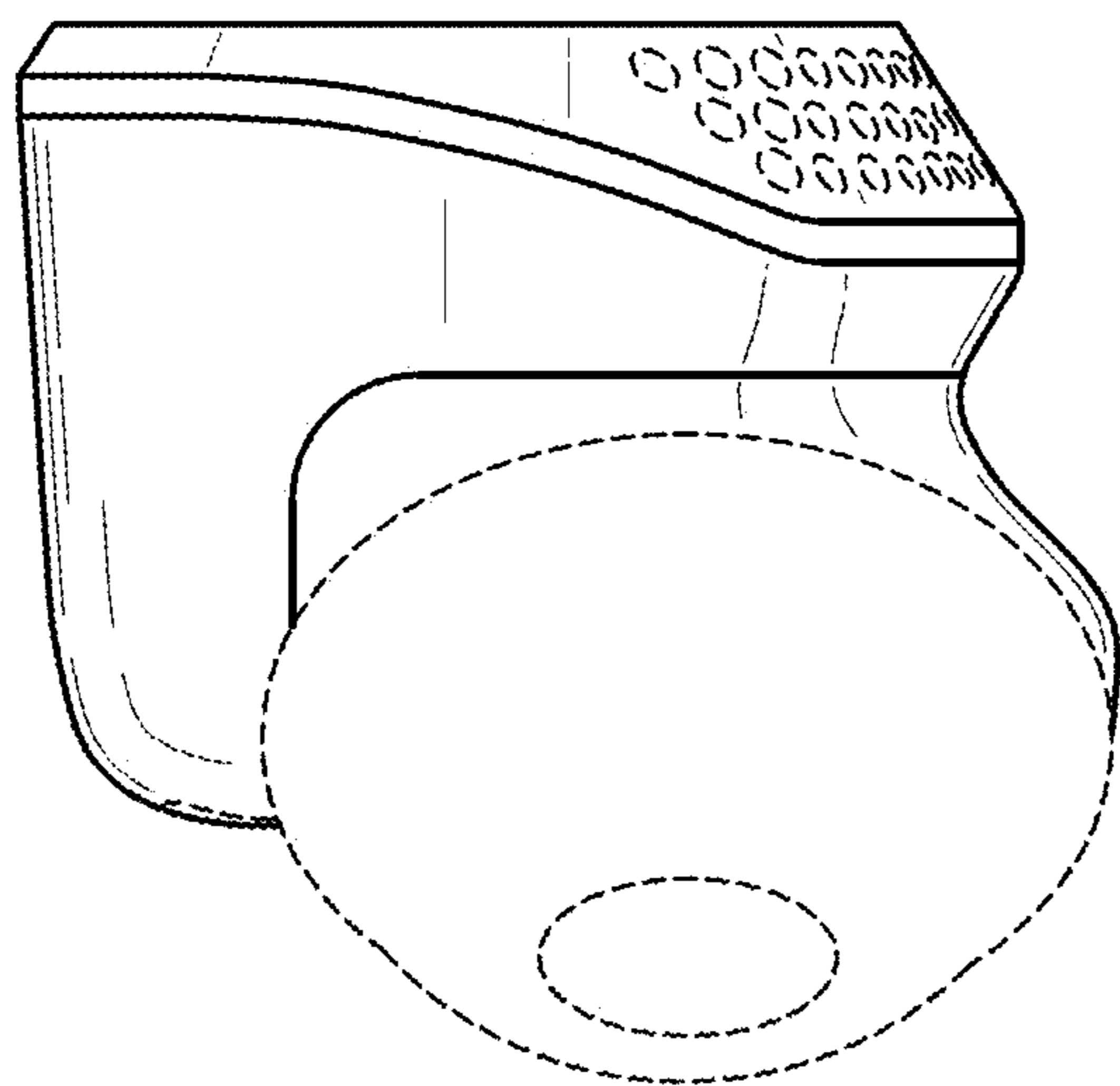


FIG. 5

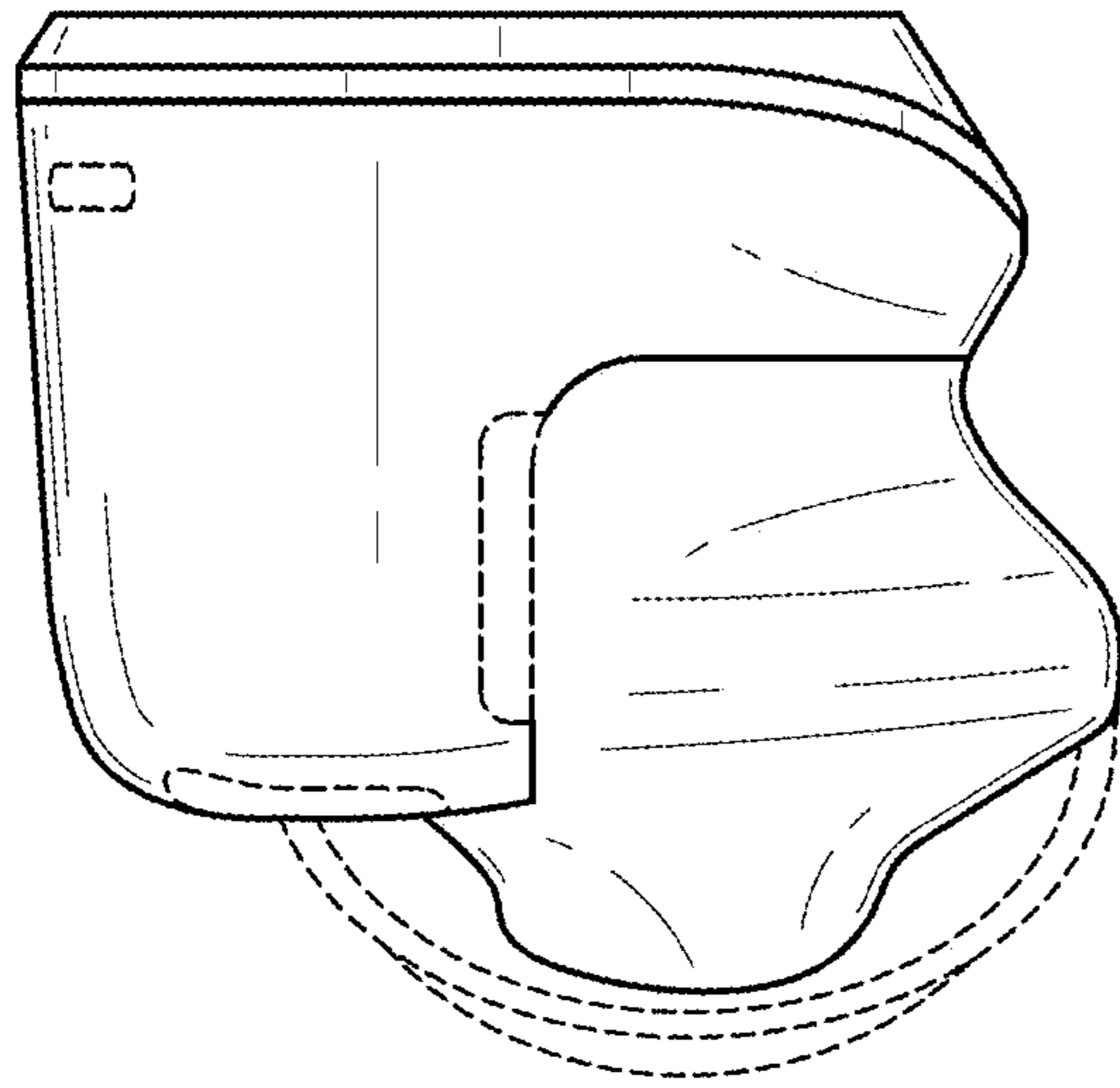


FIG. 8

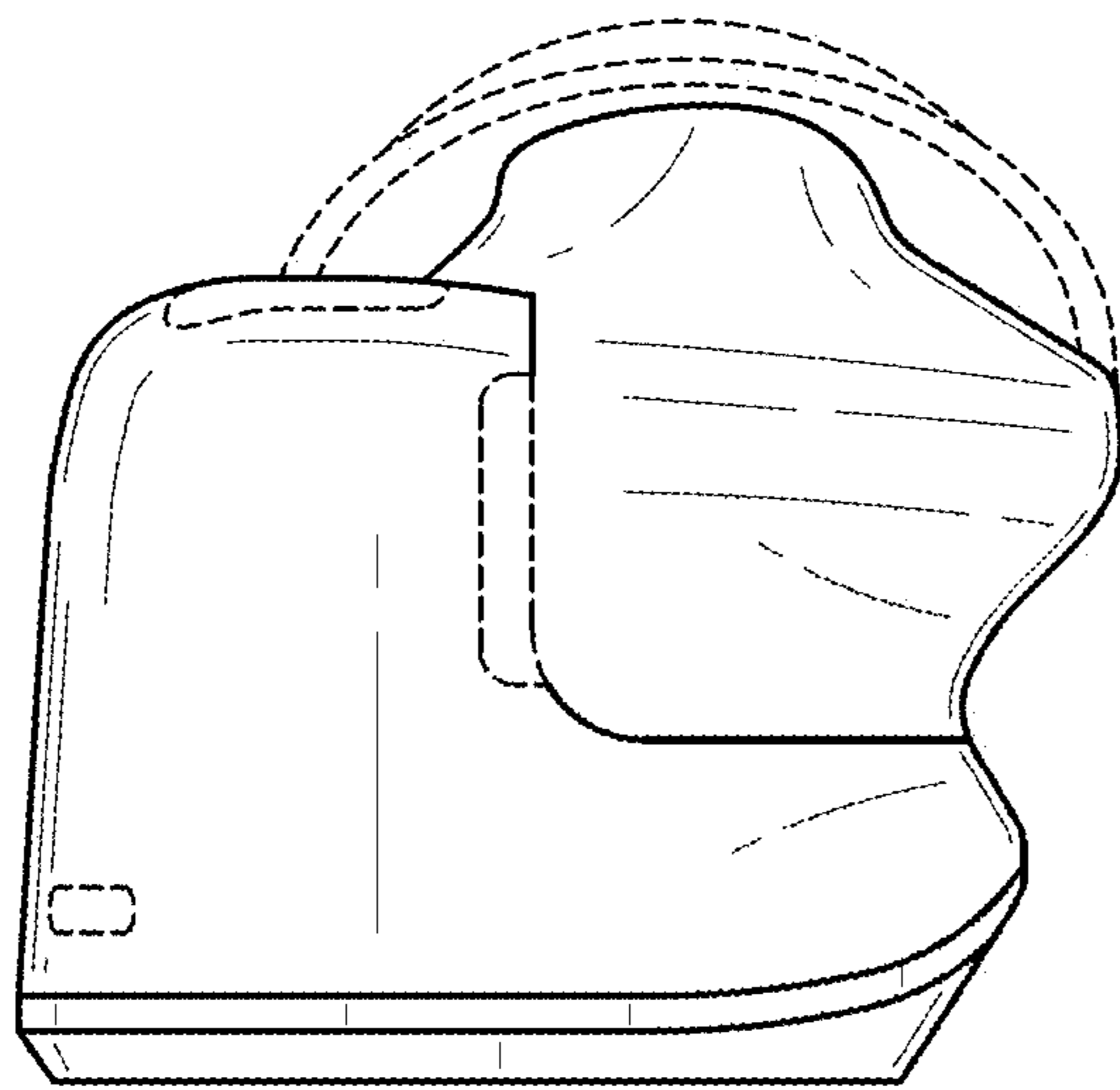


FIG. 7

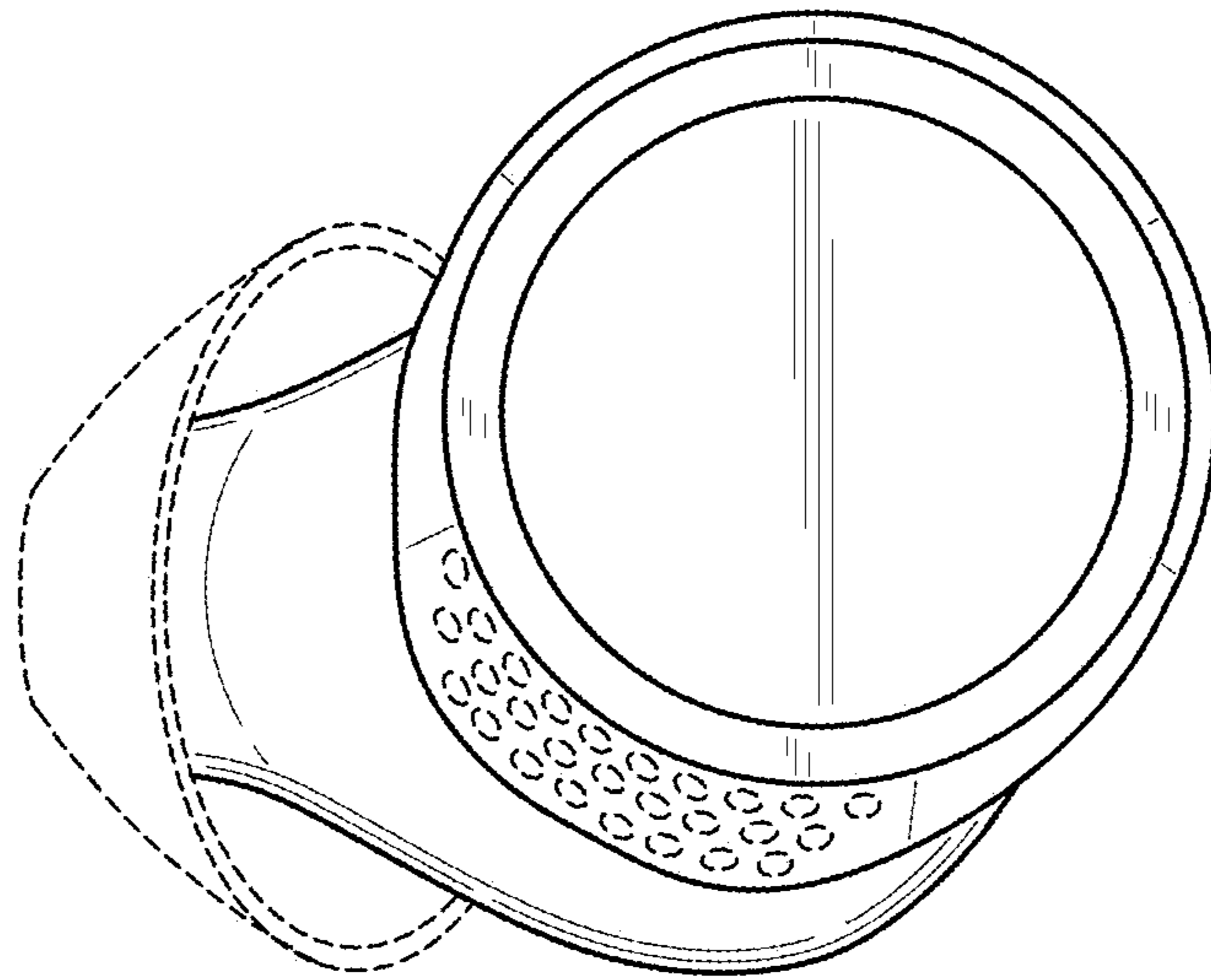


FIG.9

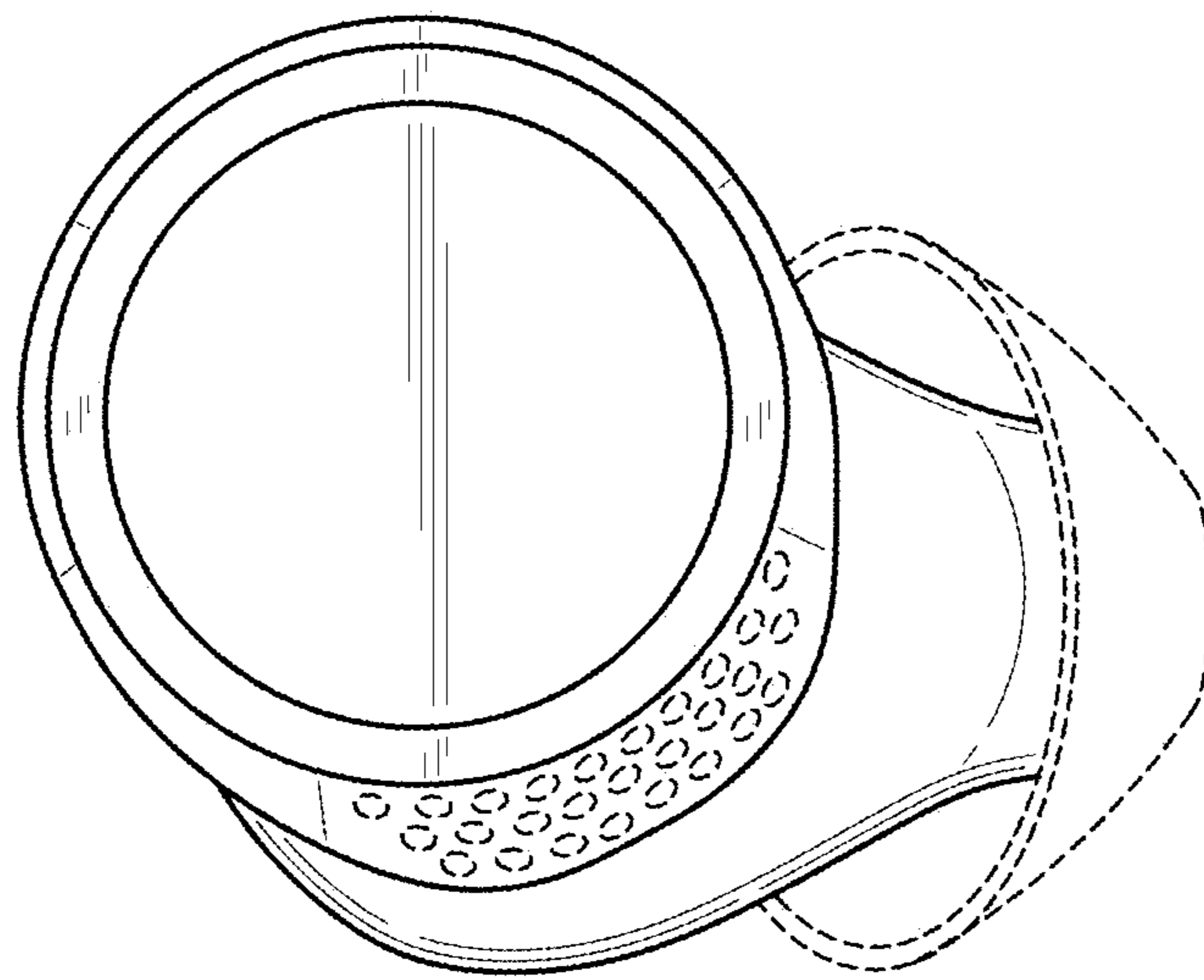


FIG.10

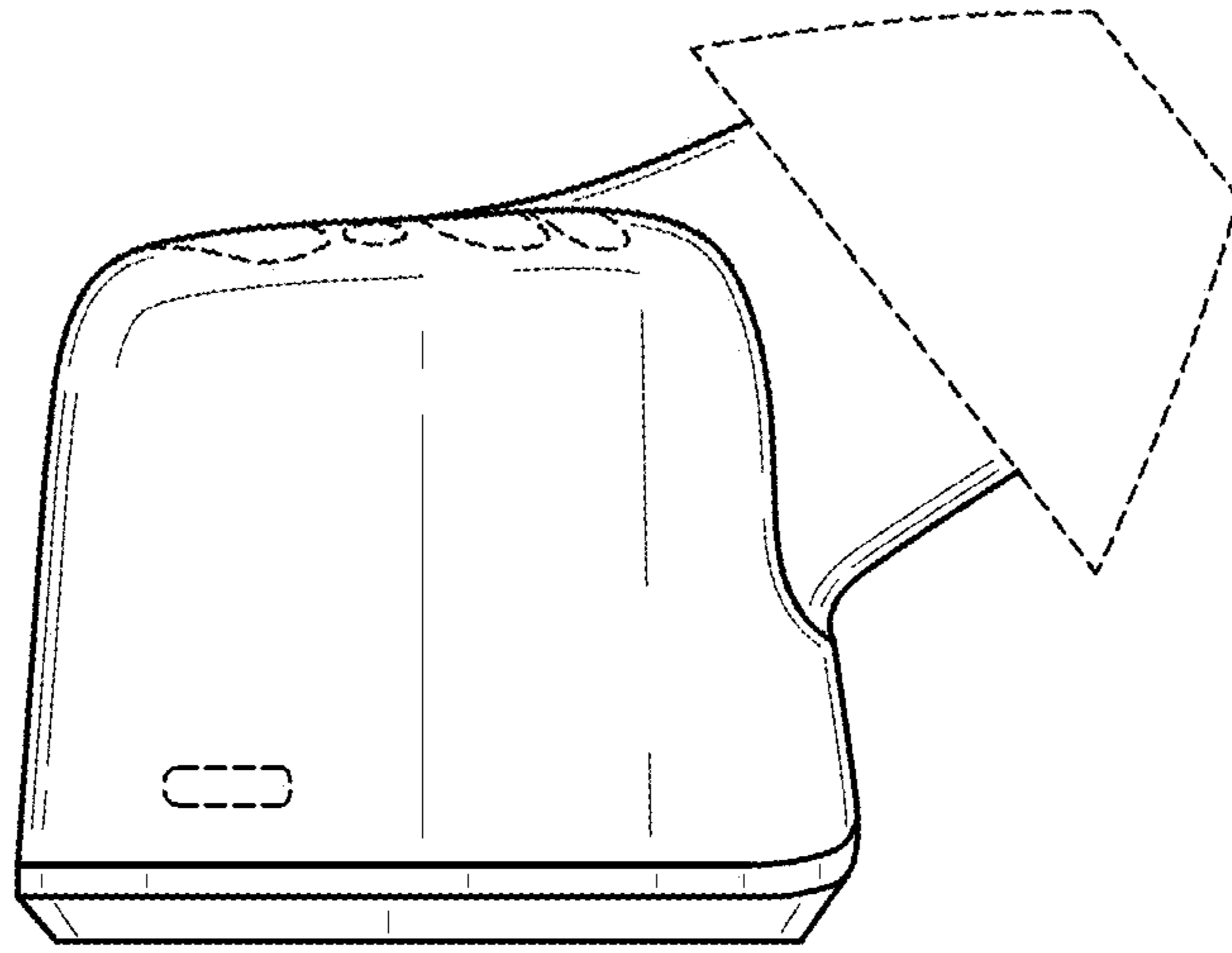


FIG.12

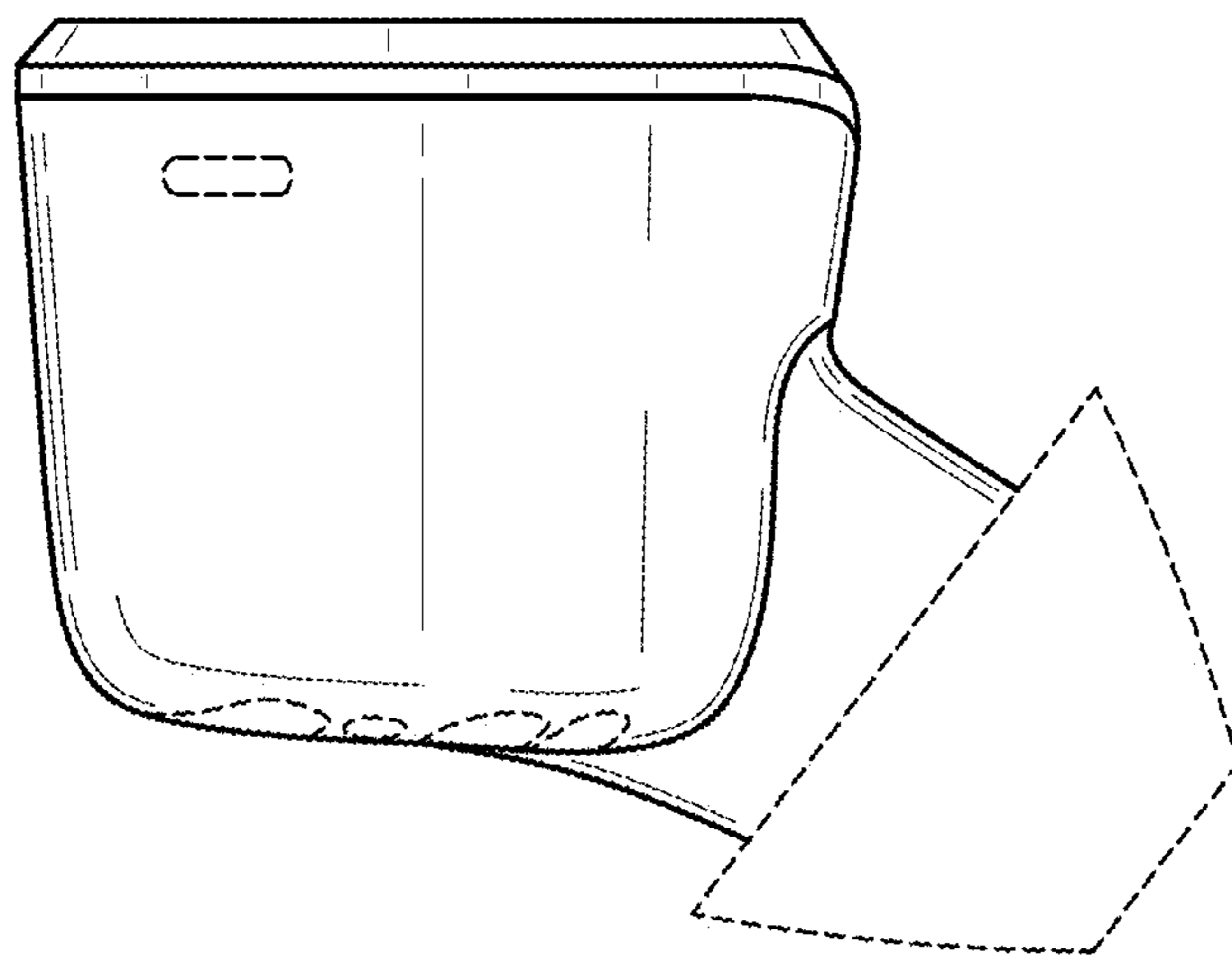


FIG.11

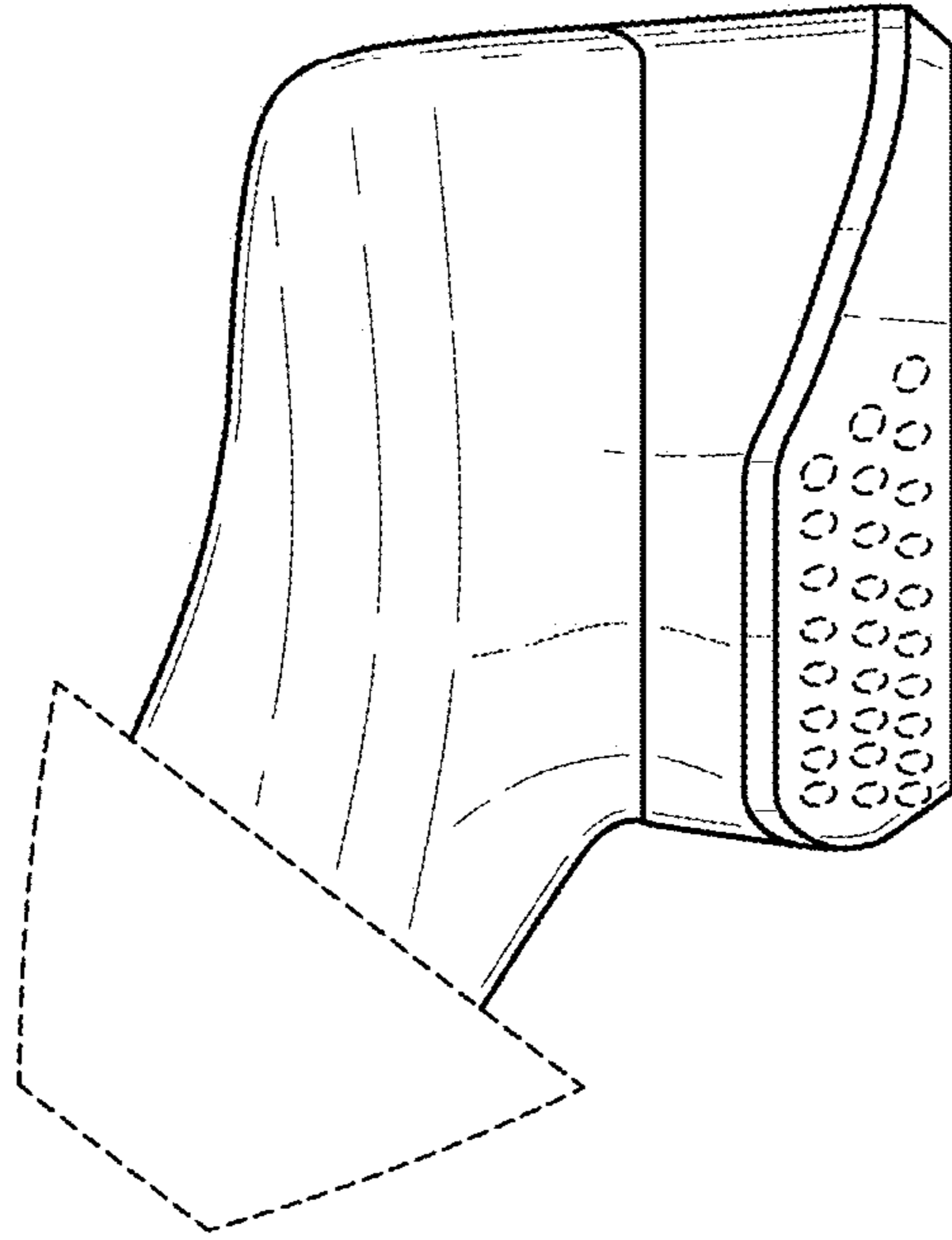


FIG.14

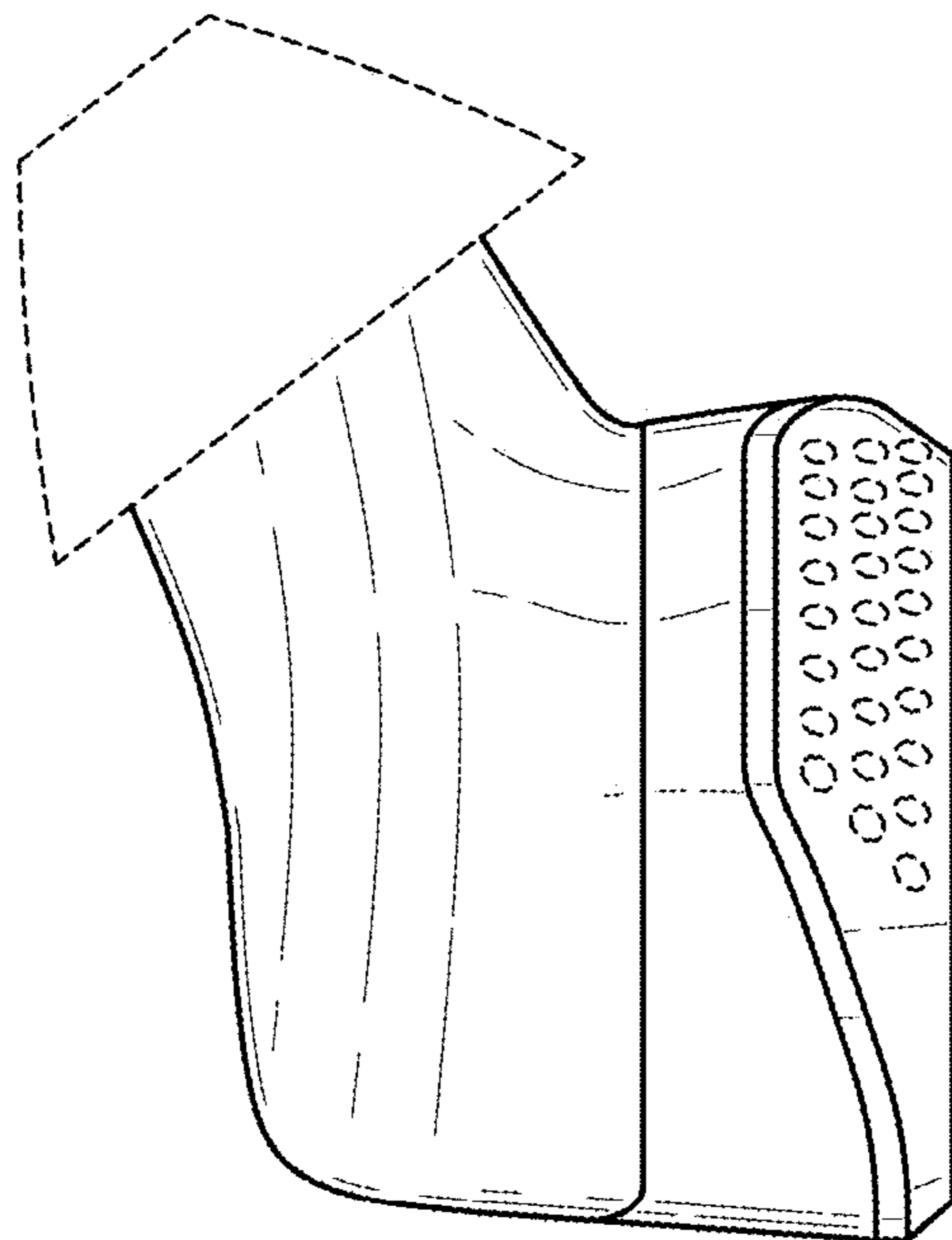


FIG.13

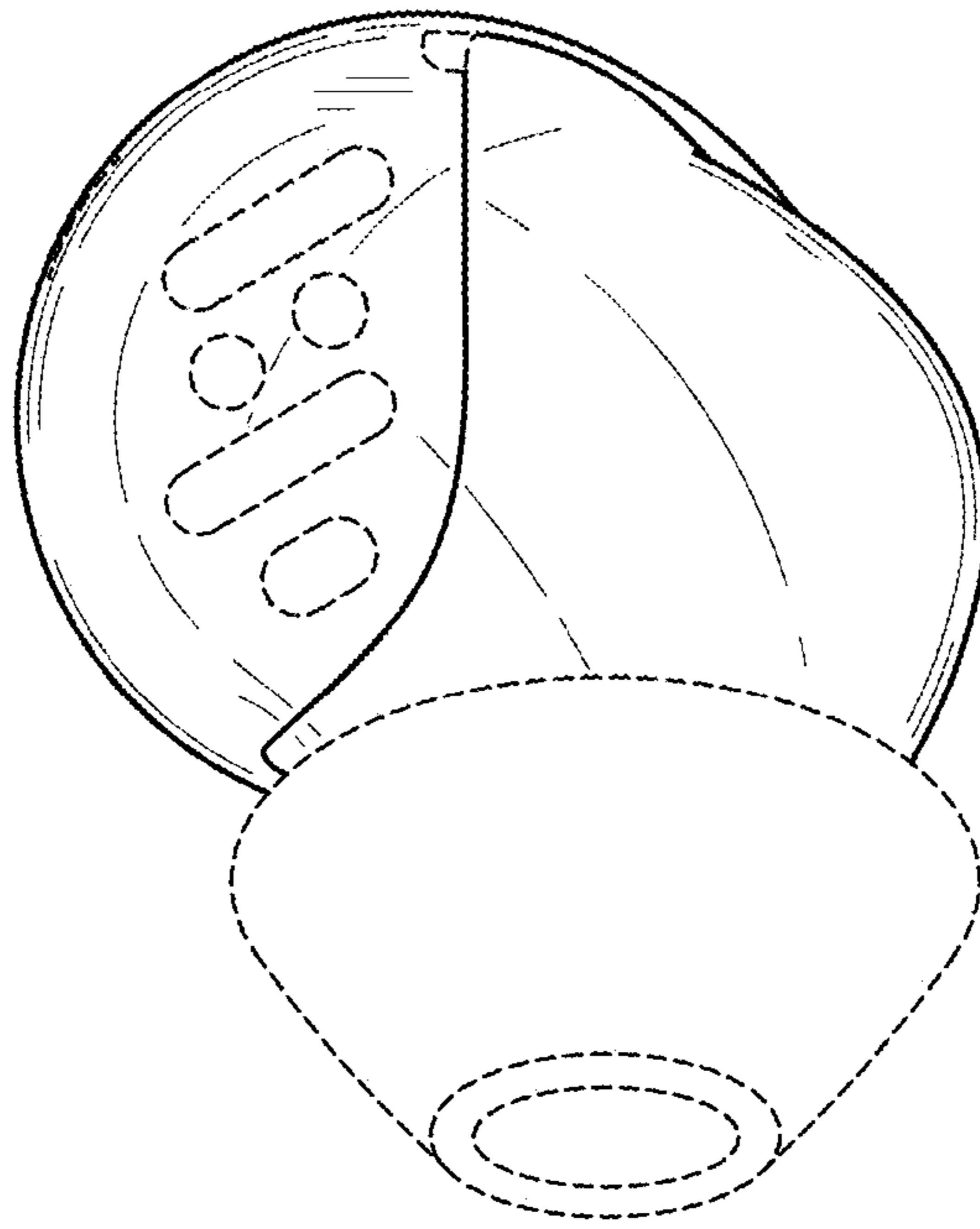


FIG. 15

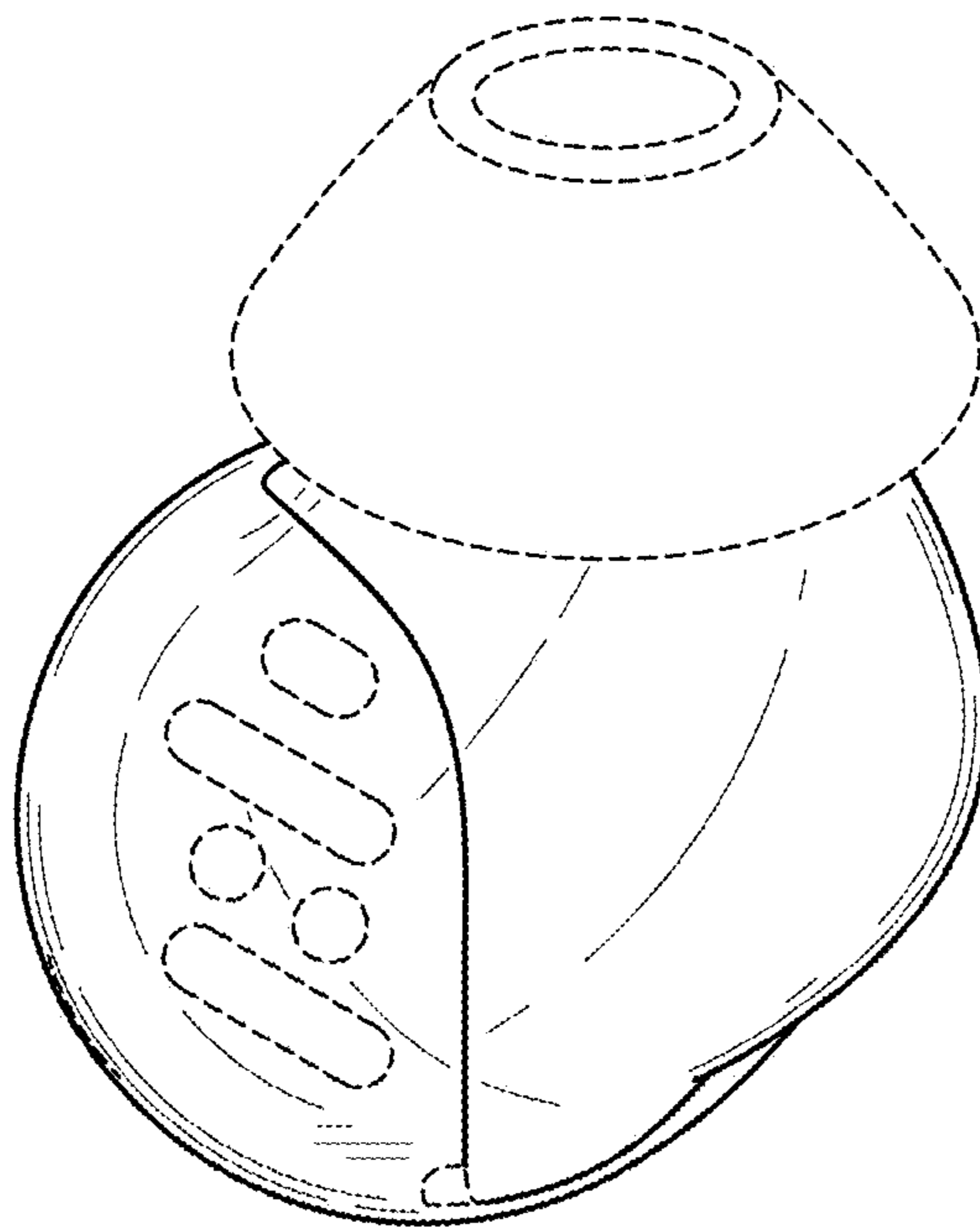


FIG. 16