



US00D918180S

(12) **United States Design Patent**
Bailey et al.

(10) **Patent No.:** **US D918,180 S**
(45) **Date of Patent:** **** May 4, 2021**

(54) **EAR LOOP EARBUD**

(71) Applicant: **Plantronics, Inc.**, Santa Cruz, CA (US)

(72) Inventors: **Chase Patrick Bailey**, Santa Cruz, CA (US); **Bowman Wang**, Ben Lomond, CA (US); **Matthew J Mainini**, Santa Cruz, CA (US)

(73) Assignee: **Plantronics, Inc.**, Santa Cruz, CA (US)

(**) Term: **15 Years**

(21) Appl. No.: **29/703,856**

(22) Filed: **Aug. 29, 2019**

Related U.S. Application Data

(63) Continuation-in-part of application No. 29/662,784, filed on Sep. 7, 2018, now Pat. No. Des. 883,957.

(51) **LOC (13) Cl.** **14-01**

(52) **U.S. Cl.**
USPC **D14/223**

(58) **Field of Classification Search**
USPC D14/223, 205; D24/174; 128/864;
455/90.3, 575.1, 569.1; 381/380, 381
(Continued)

(56) **References Cited**

U.S. PATENT DOCUMENTS

4,069,400 A 1/1978 Johanson et al.
D287,764 S 1/1987 Topholm
(Continued)

FOREIGN PATENT DOCUMENTS

EM 006584298-0001 6/2019
KR 3009387310000 1/2018

OTHER PUBLICATIONS

Taiwan IP Search Report issued in Taiwan Design Patent Application No. 108301236, completed on Sep. 5, 2019 and English translation thereof (2 pages).

(Continued)

Primary Examiner — Paula Allen Greene

(74) *Attorney, Agent, or Firm* — Ferguson Braswell
Fraser Kubasta PC

(57) **CLAIM**

The ornamental design for ear loop earbud, as shown and described.

DESCRIPTION

FIG. 1 is an outside perspective view of the left ear loop earbud according to an embodiment.

FIG. 2 is a front perspective view of the right ear loop earbud according to an embodiment.

FIG. 3 is an inside perspective view of the left ear loop earbud according to an embodiment.

FIG. 4 is a back perspective view of the right ear loop earbud according to an embodiment.

FIG. 5 is a front view of the left ear loop earbud according to an embodiment.

FIG. 6 is a front view of the right ear loop earbud according to an embodiment.

FIG. 7 is a back view of the left ear loop earbud according to an embodiment.

FIG. 8 is a back view of the right ear loop earbud according to an embodiment.

FIG. 9 is an outside view of the right ear loop earbud according to an embodiment.

FIG. 10 is an outside view of the left ear loop earbud according to an embodiment.

FIG. 11 is a top down view of the left ear loop earbud according to an embodiment.

FIG. 12 is a top down view of the right ear loop earbud according to an embodiment.

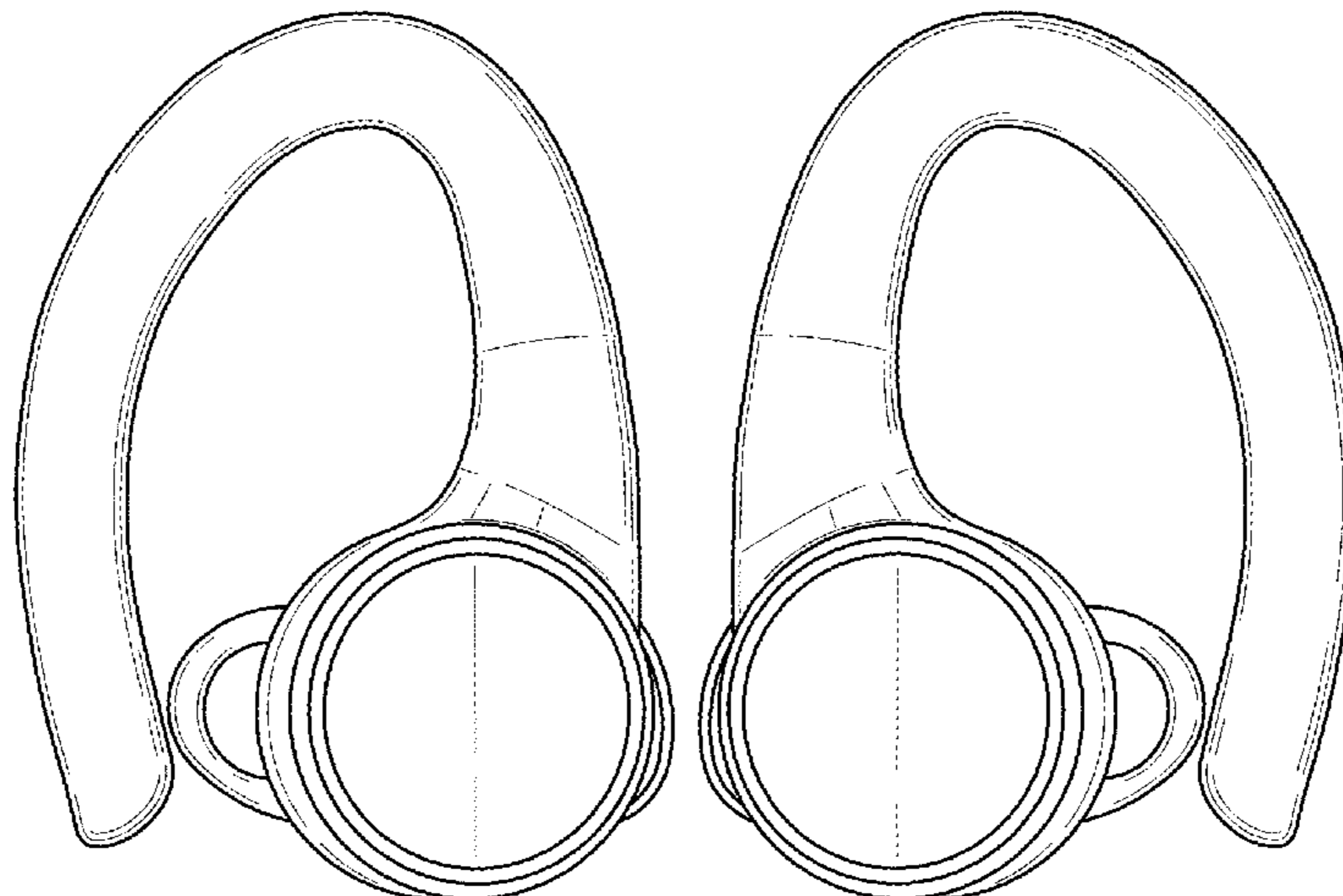
FIG. 13 is a bottom up view of the left ear loop earbud according to an embodiment.

FIG. 14 is a bottom up view of the right ear loop earbud according to an embodiment.

FIG. 15 is an inside view of the left ear loop earbud according to an embodiment; and,

FIG. 16 is an inside view of the right ear loop earbud according to an embodiment.

(Continued)



The broken lines showing the canal in the ear tips, holes, and charging port are for the purpose of illustrating portions of the article and form no part of the claimed design.

The thin, black lines show contour of the surfaces of the ear loop earbud, and are not actual lines on the ear loop earbud.

1 Claim, 9 Drawing Sheets

(58) Field of Classification Search

CPC H04R 1/10; H04R 25/00; H04R 25/02;
H04R 1/1016; H04R 1/1066; H04R
5/033; H04R 5/0335; H04R 1/1083;
H04R 1/105; H04R 1/1091

See application file for complete search history.

(56) References Cited

U.S. PATENT DOCUMENTS

D287,765 S 1/1987 Topholm
D383,757 S 9/1997 Dobrusskin et al.
D470,129 S 2/2003 Hlas et al.
D478,573 S 8/2003 Wrisley et al.
D482,022 S 11/2003 Nakano
6,728,388 B1 4/2004 Nageno et al.
D505,411 S 5/2005 Sakai
D514,094 S * 1/2006 Griffin D14/223
D529,901 S * 10/2006 Ohta D14/223
D538,271 S * 3/2007 Kim D14/223
D543,968 S * 6/2007 Wong D14/205
D543,972 S 6/2007 Taylor
D564,494 S 3/2008 Lee
7,356,362 B2 4/2008 Chang et al.
D574,814 S * 8/2008 Hammond D14/205
D588,111 S 3/2009 Komiyama
D601,126 S 9/2009 Christopher et al.
D603,380 S * 11/2009 Hutchieson D14/223
D617,780 S * 6/2010 Jaakkola D14/223
D629,397 S 12/2010 Hensen
D635,960 S * 4/2011 Gondo D14/223
D652,817 S 1/2012 Lee et al.
D652,822 S 1/2012 Lee et al.
8,111,854 B2 * 2/2012 Peng H04R 1/1075
381/338
D659,682 S * 5/2012 Cheng D14/223
8,391,536 B2 * 3/2013 Hashimoto H04R 1/1016
381/380
D698,023 S * 1/2014 Iseberg D24/174
D699,226 S 2/2014 Yoon
D705,757 S * 5/2014 Yashiro H04R 1/10
D14/223
8,737,669 B2 * 5/2014 Monahan H04R 1/1058
381/380
D710,333 S * 8/2014 Davies H04R 1/10
D14/223
D710,335 S * 8/2014 Yang D14/223
D711,356 S * 8/2014 Yang D14/223
D712,382 S * 9/2014 Brunner D14/223
D718,286 S * 11/2014 Yang D14/223
D725,637 S * 3/2015 Nakajima D14/223

D732,007 S * 6/2015 Oksman D14/223
9,301,037 B1 * 3/2016 Kalyvas H04M 1/6041
D755,158 S * 5/2016 Lee D14/205
D758,355 S * 6/2016 Lee D14/223
D760,189 S * 6/2016 Loh Jun Kern D14/205
D773,438 S * 12/2016 Walker D14/223
D780,157 S * 2/2017 Uggla D14/205
D786,216 S * 5/2017 Silva D14/205
D788,079 S * 5/2017 Son D14/223
D795,225 S * 8/2017 Sumii D14/223
D801,950 S * 11/2017 Otani D14/223
D803,816 S * 11/2017 Bolster D14/223
D809,487 S * 2/2018 Lee D14/223
9,949,014 B2 * 4/2018 Cramer H04R 1/1008
D816,637 S * 5/2018 Hardi D14/205
D817,309 S * 5/2018 Czaniecki D14/223
D817,931 S * 5/2018 Yao D14/223
D818,989 S * 5/2018 Silva D14/205
D822,646 S * 7/2018 Dang D14/223
D828,823 S * 9/2018 Lin D14/223
D828,826 S * 9/2018 Schaal D14/223
D840,372 S * 2/2019 Carr D14/205
D847,116 S * 4/2019 Silva D14/205
10,250,964 B2 * 4/2019 McGarry H04R 1/105
D850,408 S * 6/2019 Kawabata D14/206
D852,784 S * 7/2019 Cramer H04R 1/1008
D14/223
D860,973 S * 9/2019 Ko D14/223
D863,261 S * 10/2019 Zhu D14/223
D863,264 S * 10/2019 Zhang D14/223
D872,061 S * 1/2020 Cui D14/223
D874,443 S * 2/2020 Yan D14/223
D874,444 S * 2/2020 Chang D14/223
D875,710 S * 2/2020 Bailey D14/205
D881,850 S * 4/2020 Zhang D14/223
D883,957 S * 5/2020 Bailey D14/223
D890,726 S * 7/2020 Park D14/223
D905,667 S * 12/2020 Zhao D14/223
2007/0098201 A1 5/2007 Chen
2009/0041288 A1 2/2009 Liu et al.
2011/0123059 A1 5/2011 Hu
2011/0176699 A1 * 7/2011 Lin H04R 1/1016
381/374
2012/0134524 A1 5/2012 Peng
2013/0010997 A1 * 1/2013 Tanaka A61B 5/6817
381/380
2013/0216087 A1 8/2013 MacDonald
2014/0205125 A1 7/2014 Triato
2015/0156579 A1 * 6/2015 Lowry H04R 1/1016
381/380
2016/0037248 A1 2/2016 Cheng
2016/0261942 A1 9/2016 Hayden
2017/0026738 A1 1/2017 Tang
2020/0084531 A1 * 3/2020 Mainini H04R 1/1016

OTHER PUBLICATIONS

Hall, "Beats officially unveils 'totally wireless' Powerbeats Pro with Apple's H1 chip in new AirPods, 'Hey Siri', '9to5mac review, Apr. 3, 2019, 22 pages, found at URL <<https://9to5mac.com/2019/04/03/beats-powerbeats-pro-airpods-sport/>>.

* cited by examiner

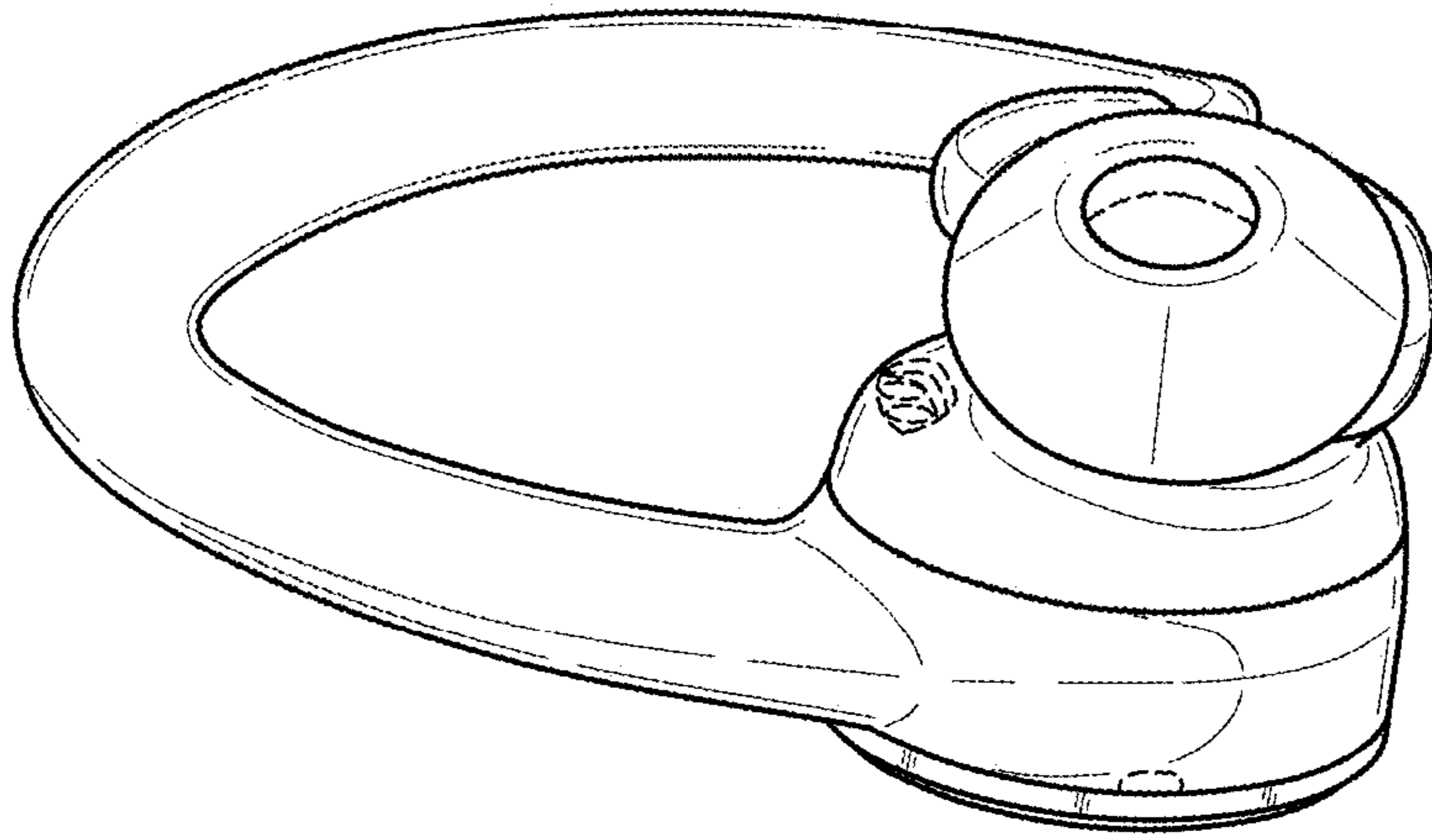


FIG. 2

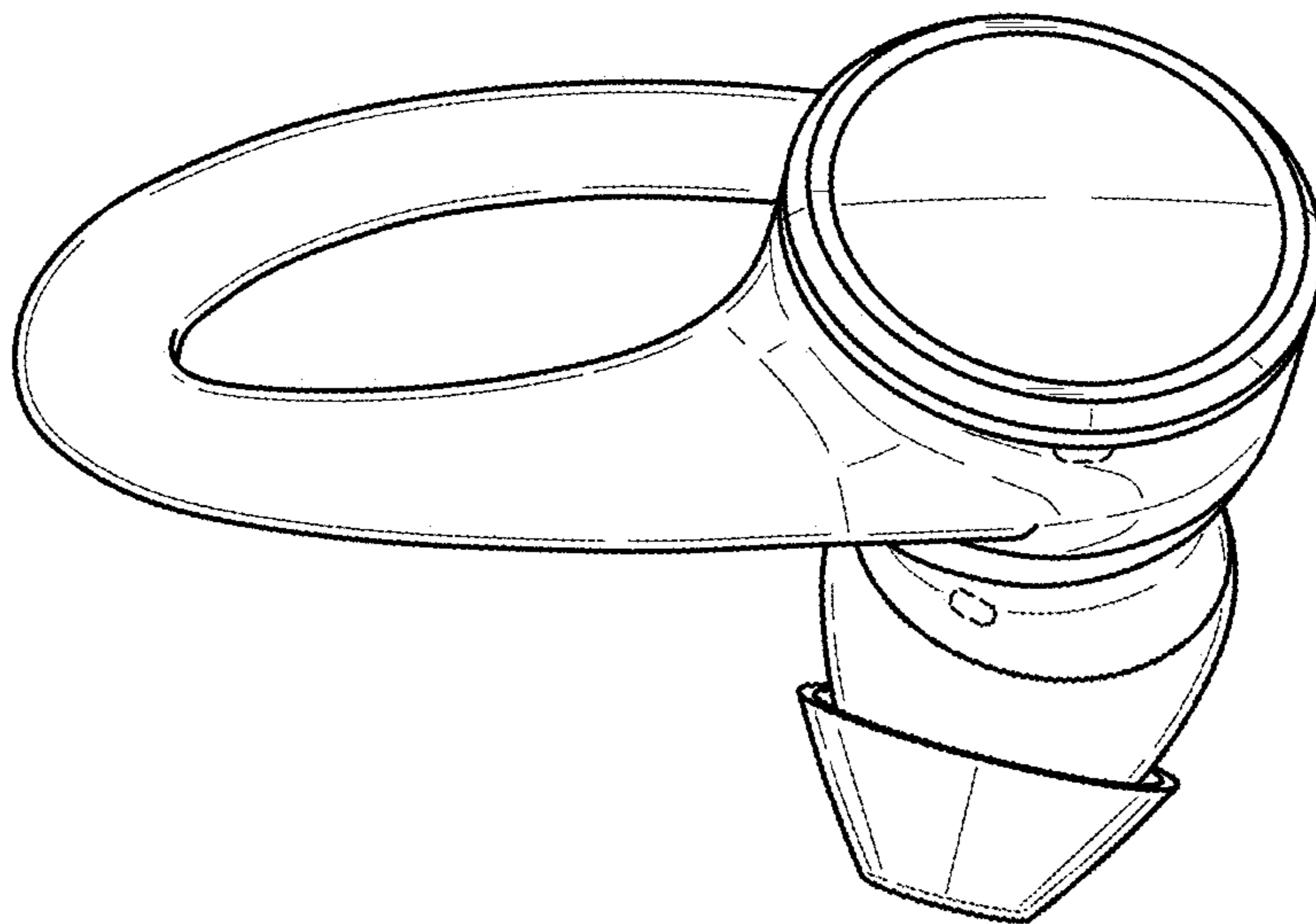


FIG. 1

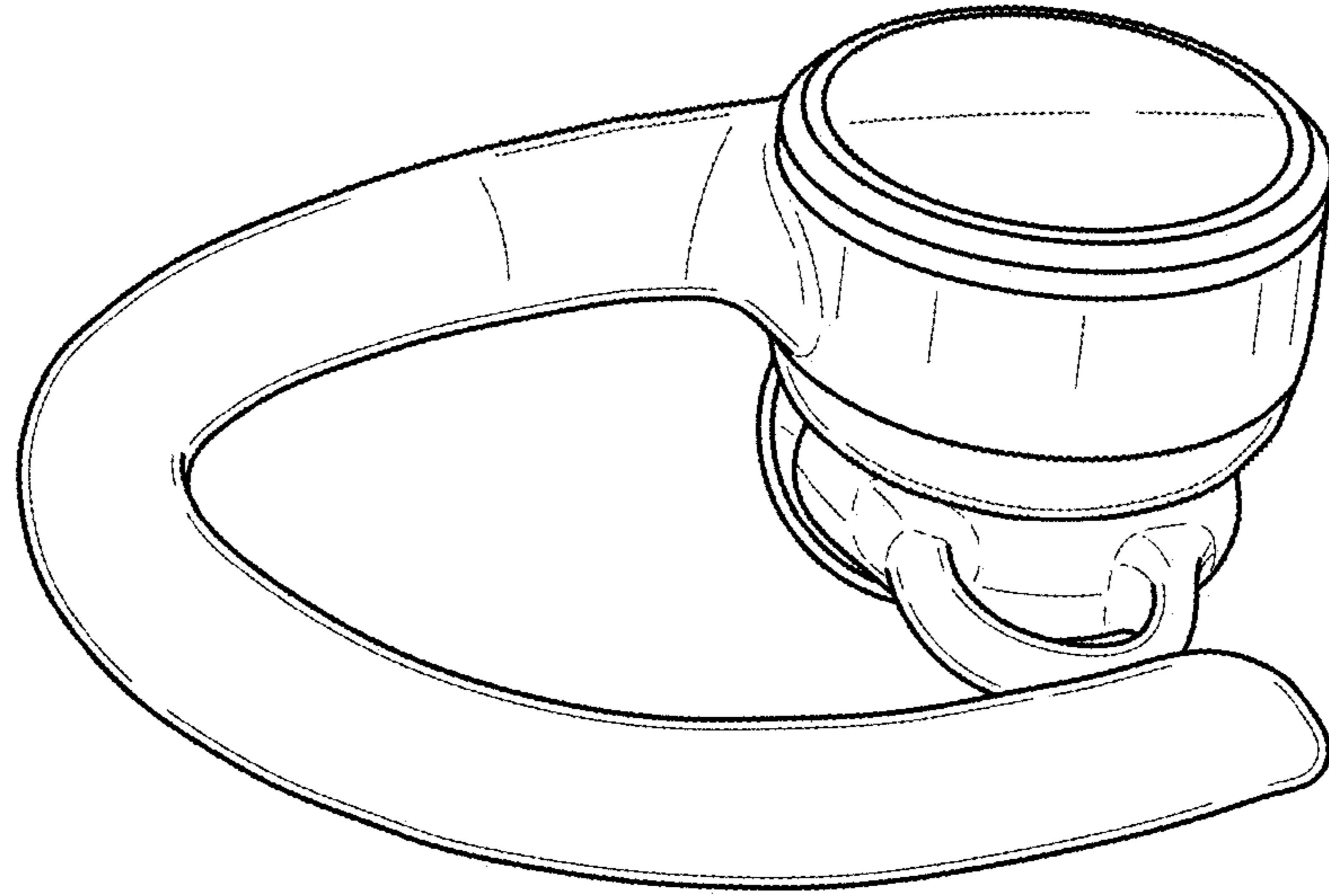


FIG. 4

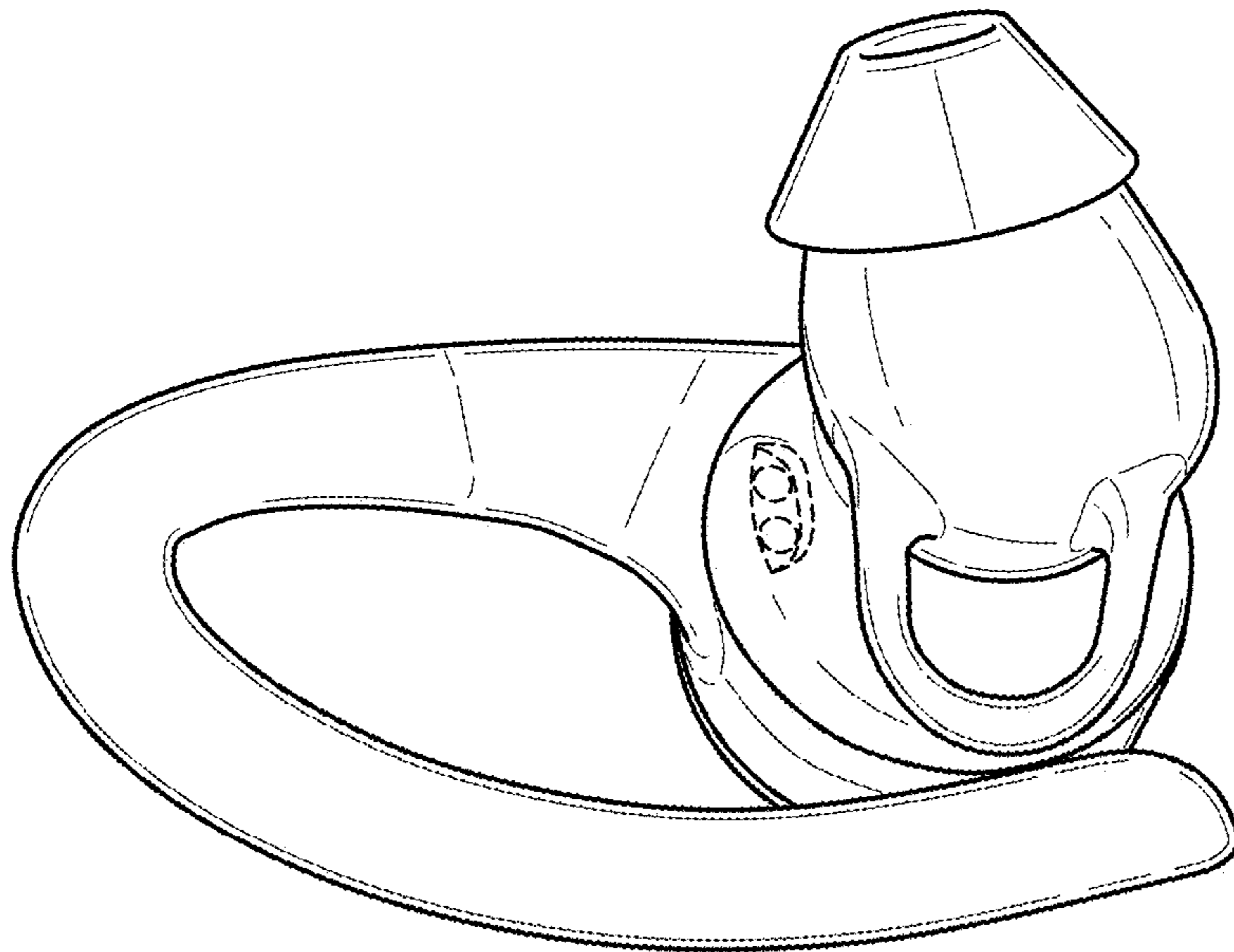


FIG. 3

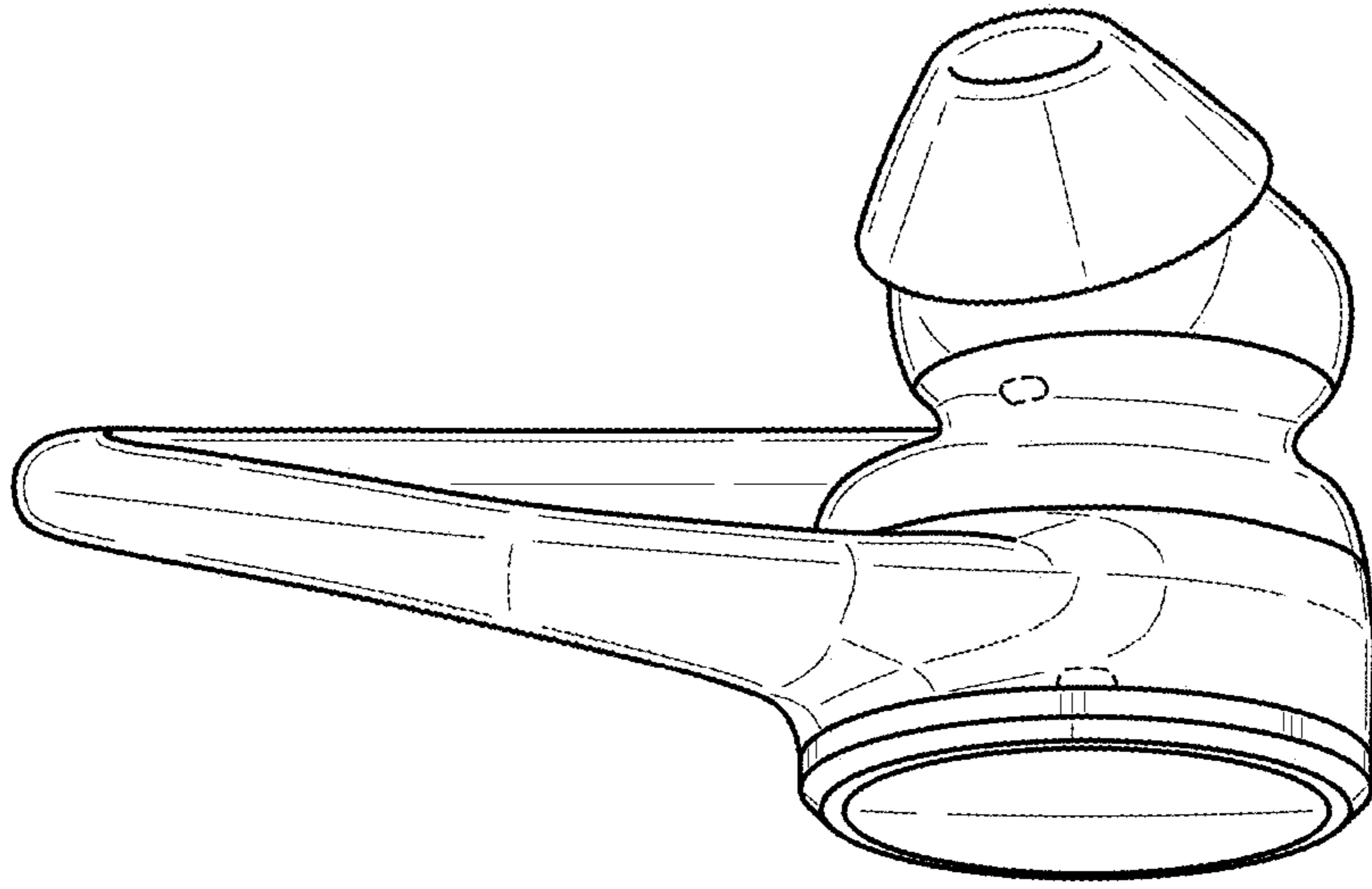


FIG. 6

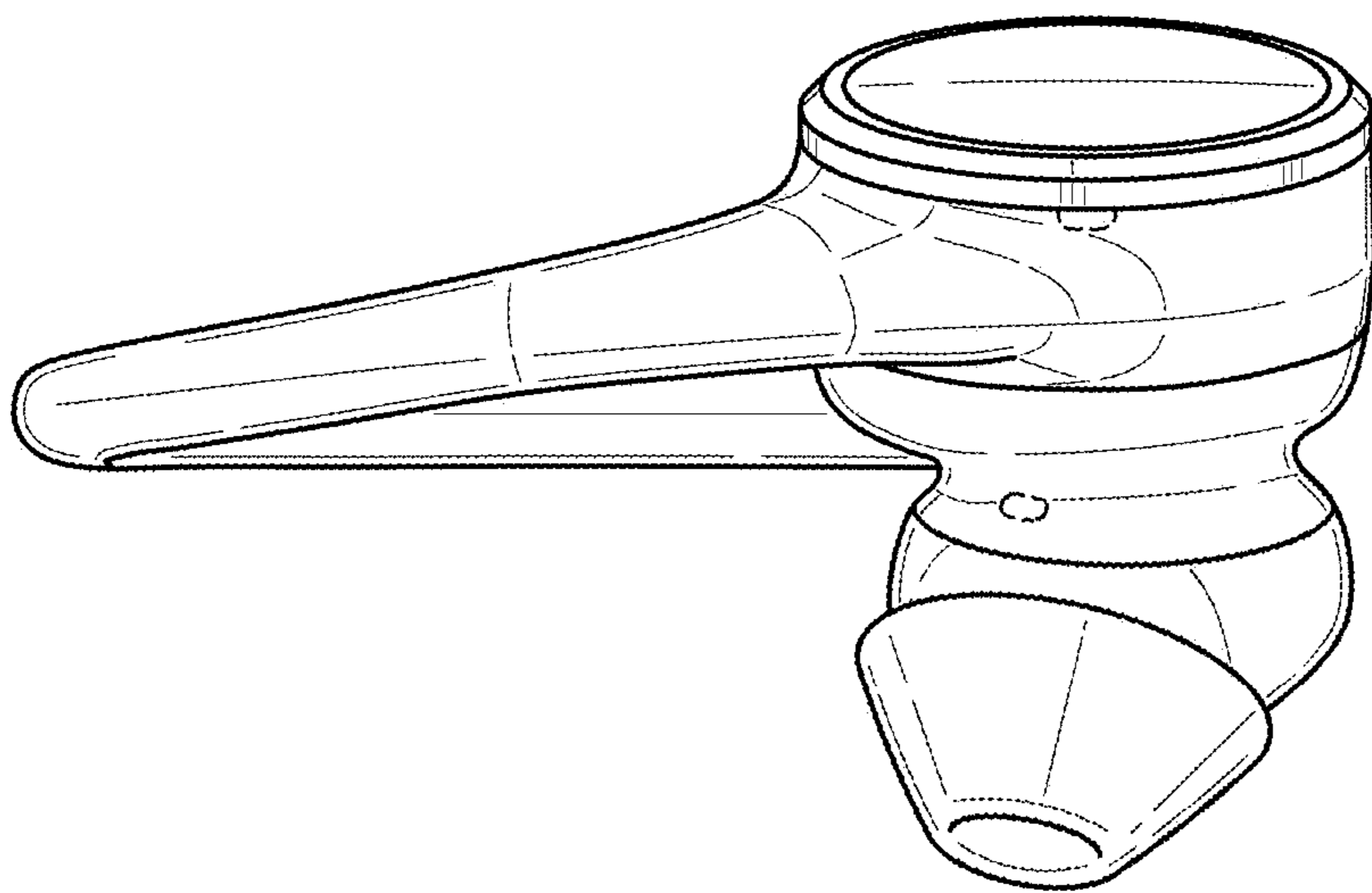


FIG. 5

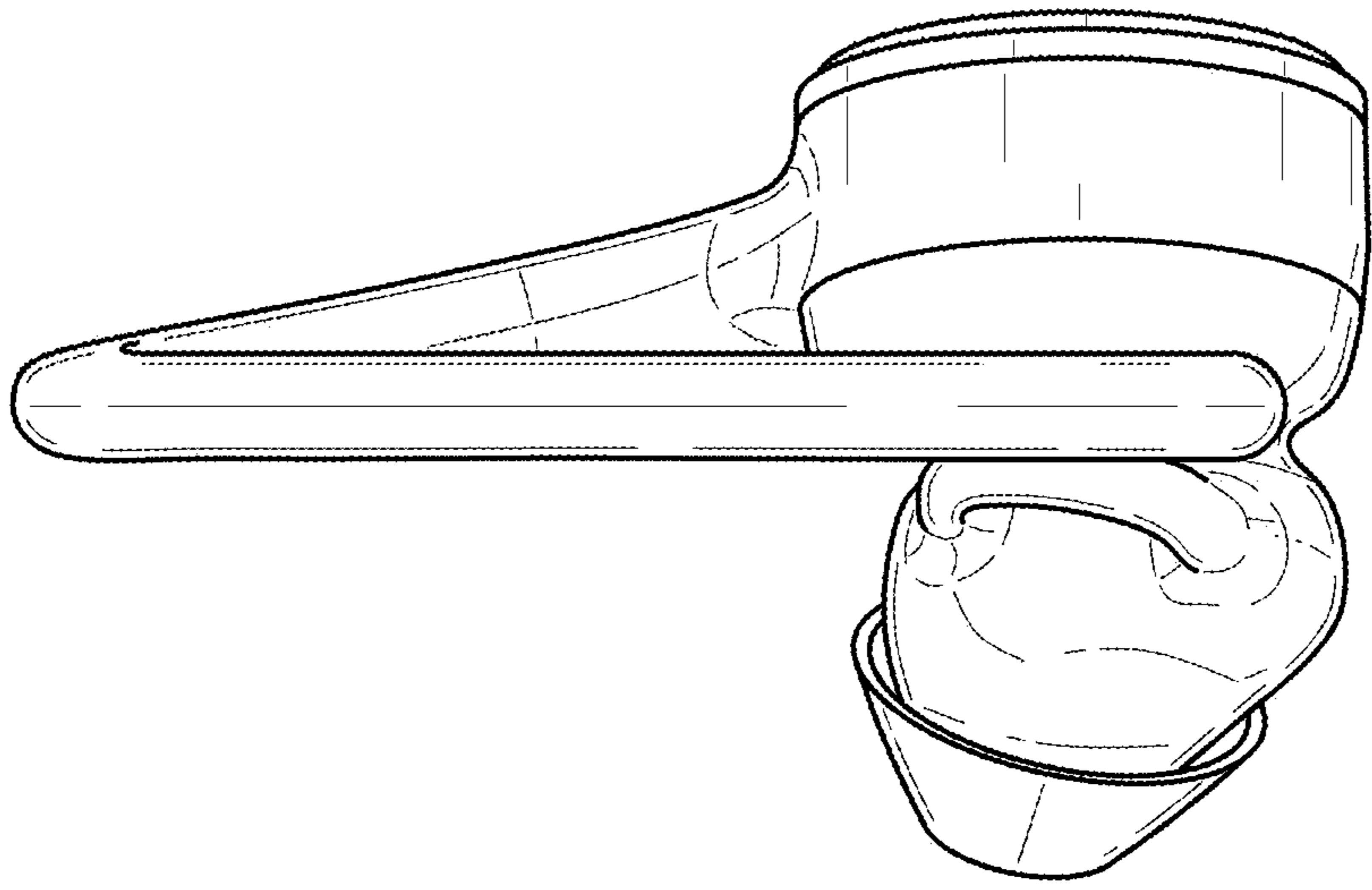


FIG. 8

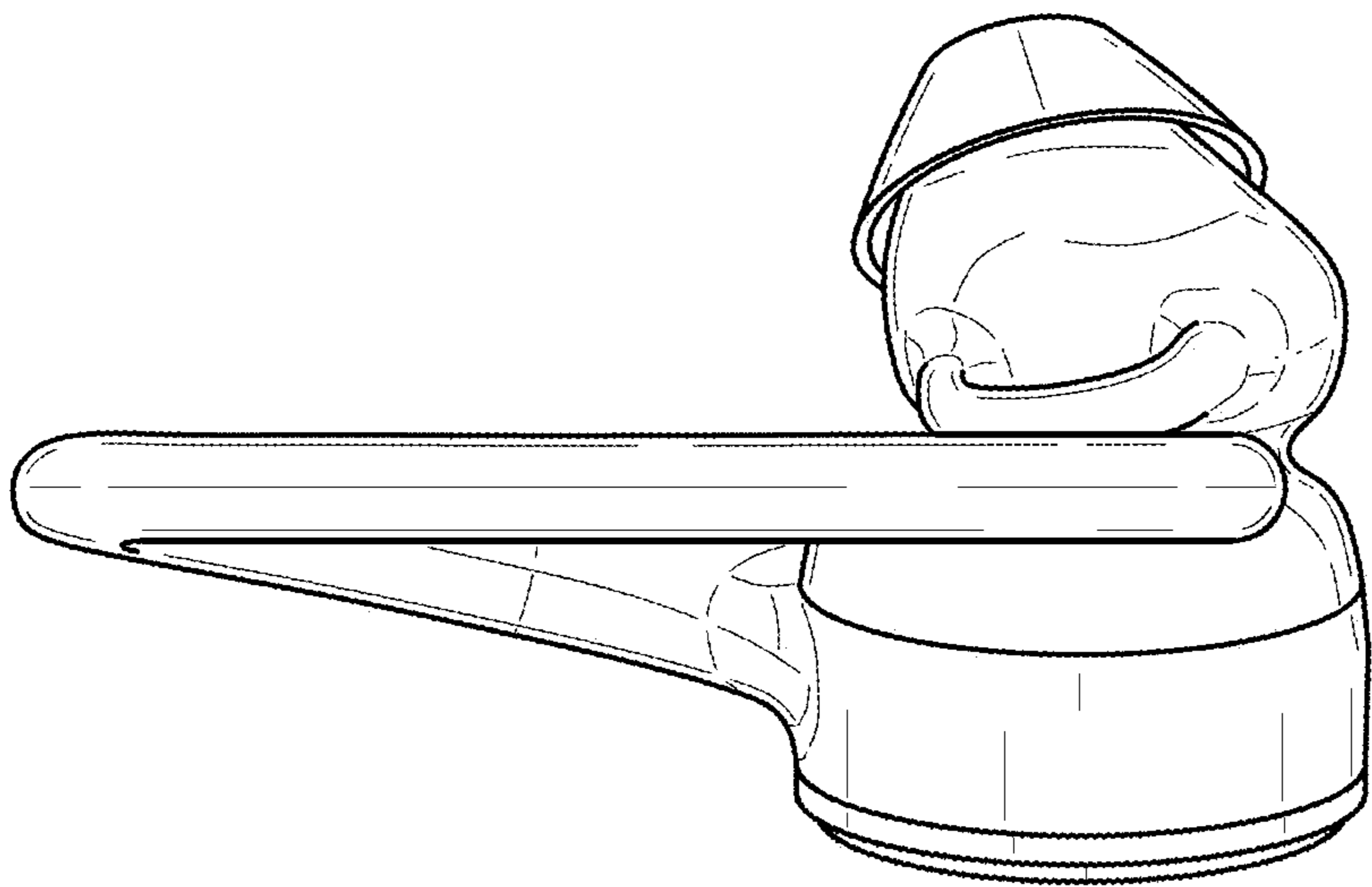


FIG. 7

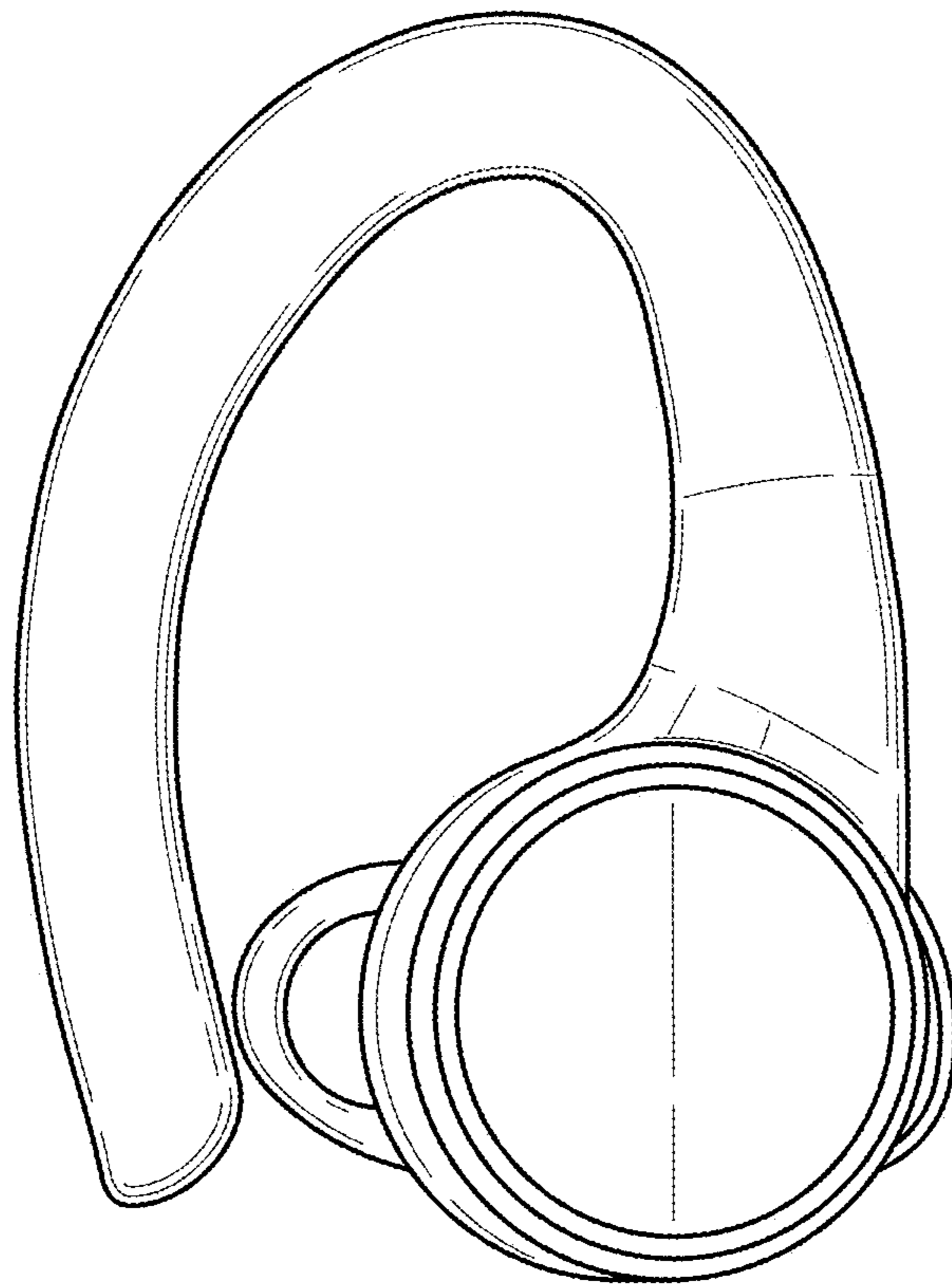


FIG.9

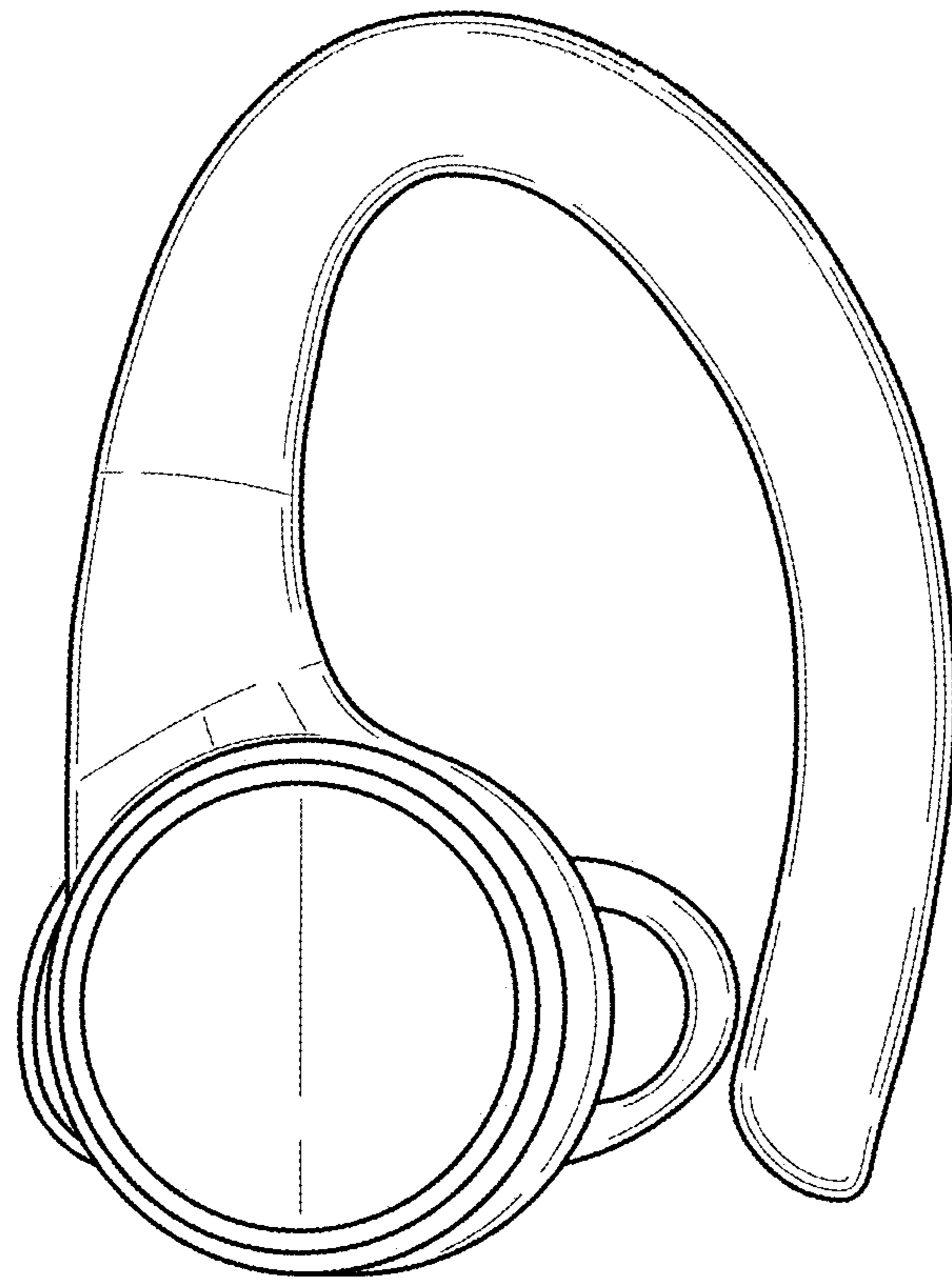


FIG. 10

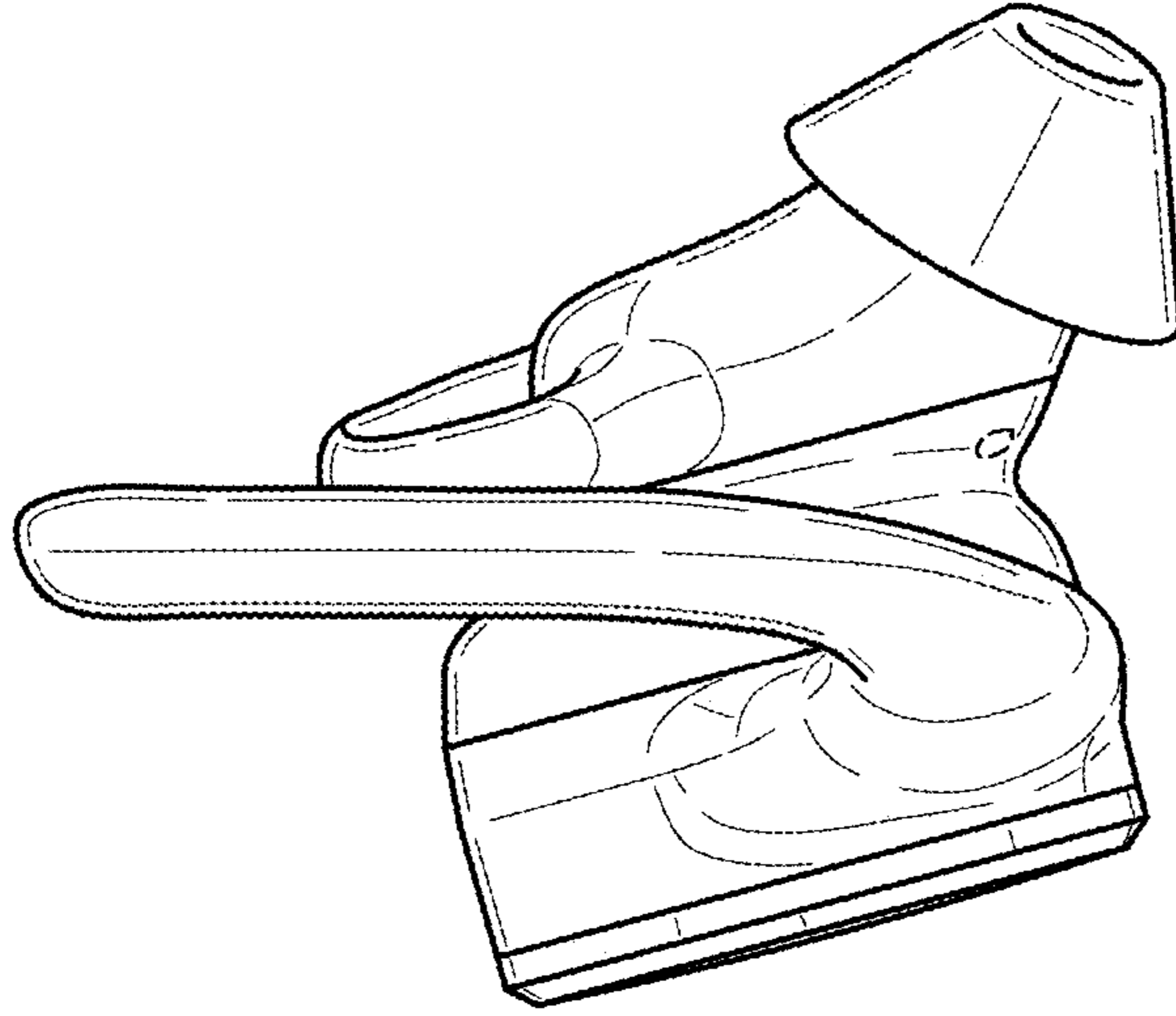


FIG. 12

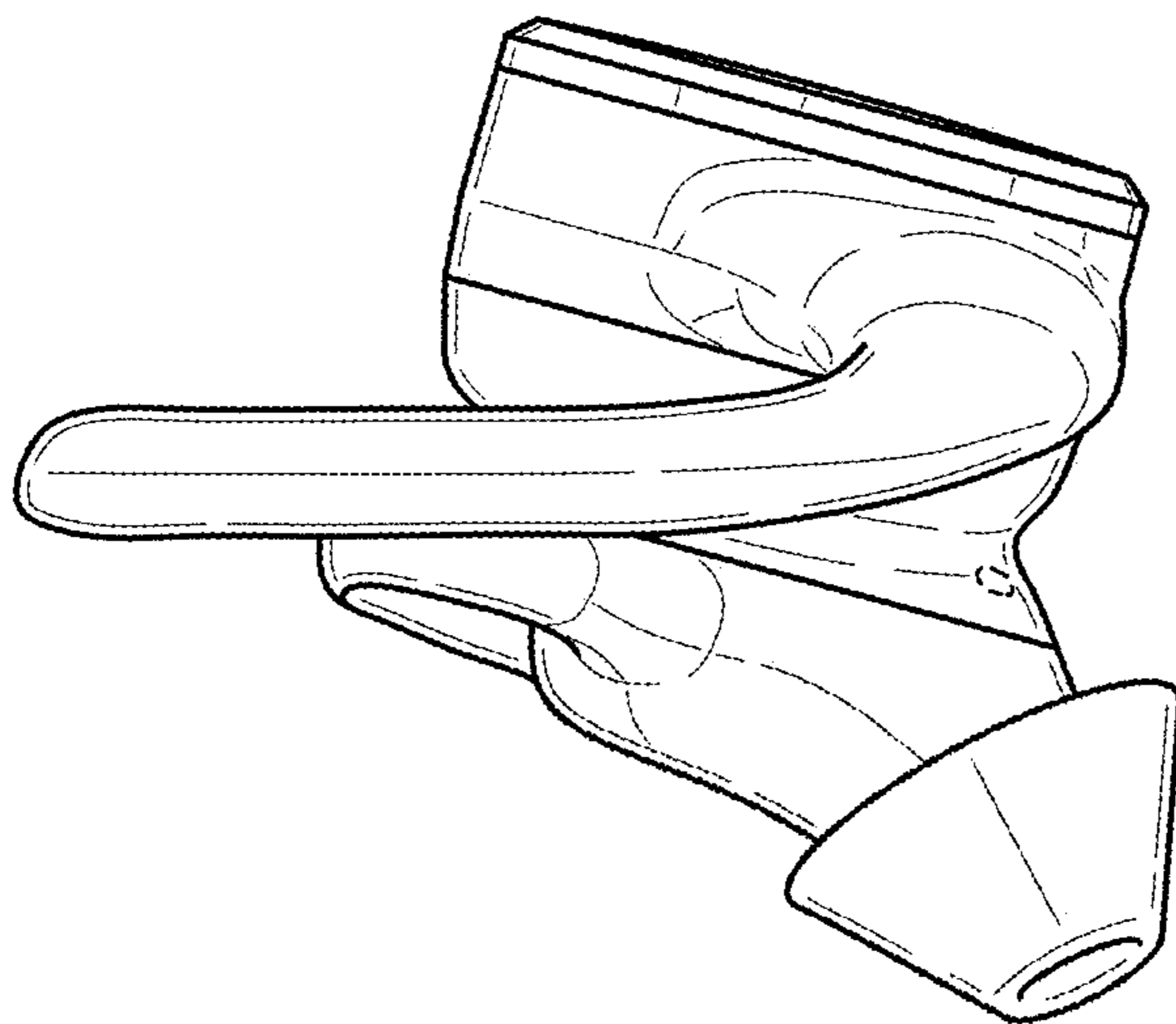


FIG. 11

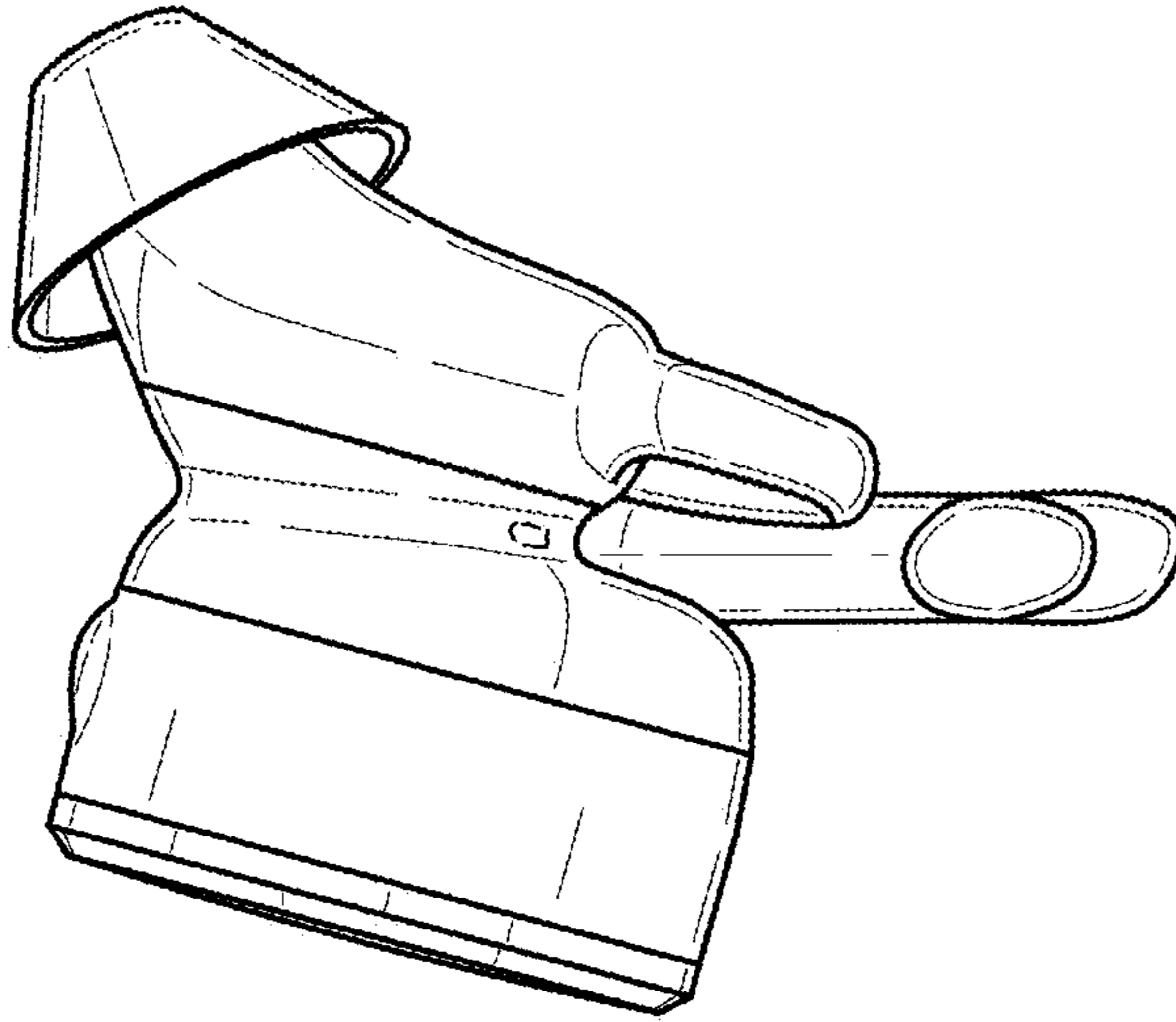


FIG. 14

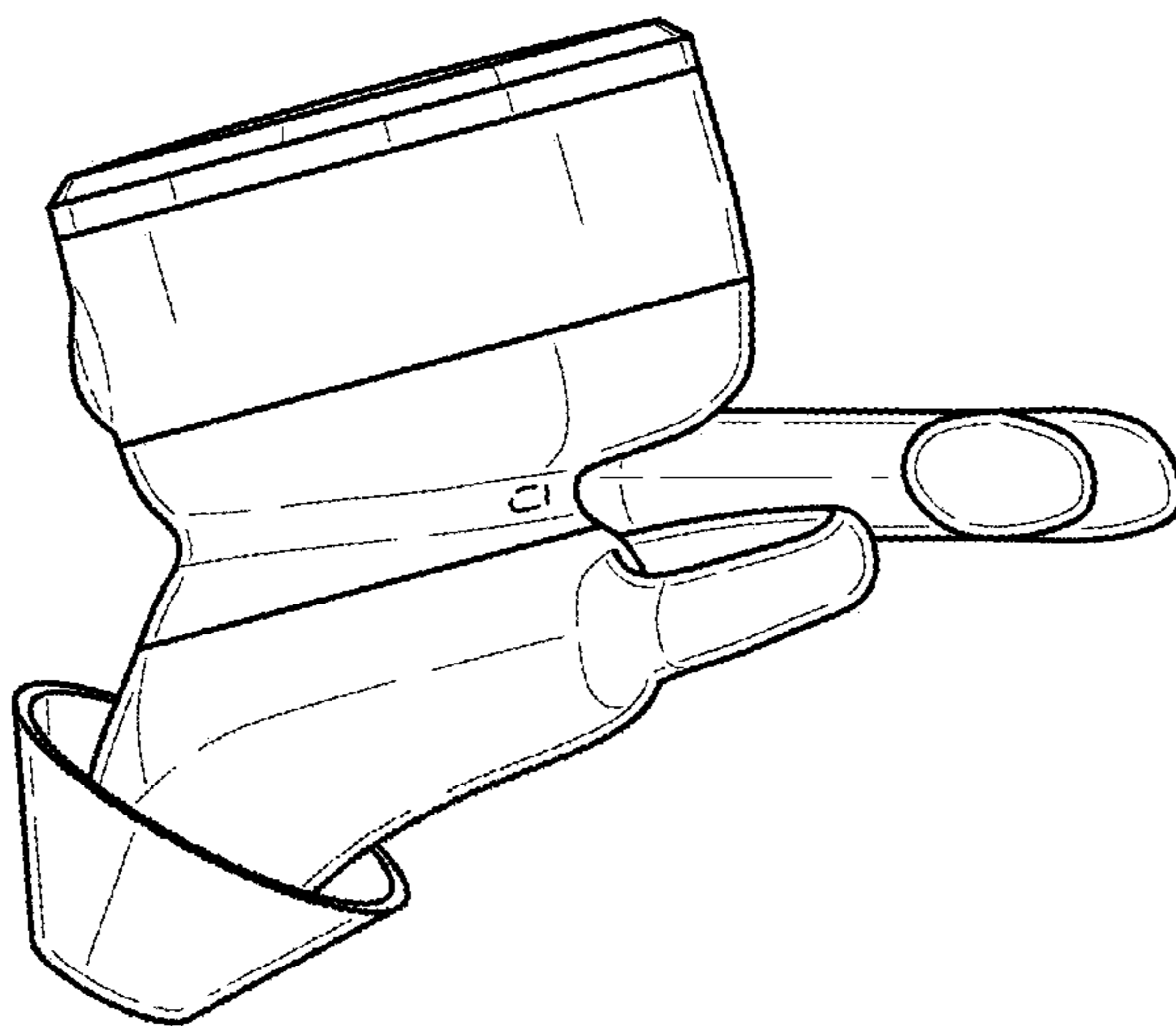


FIG. 13

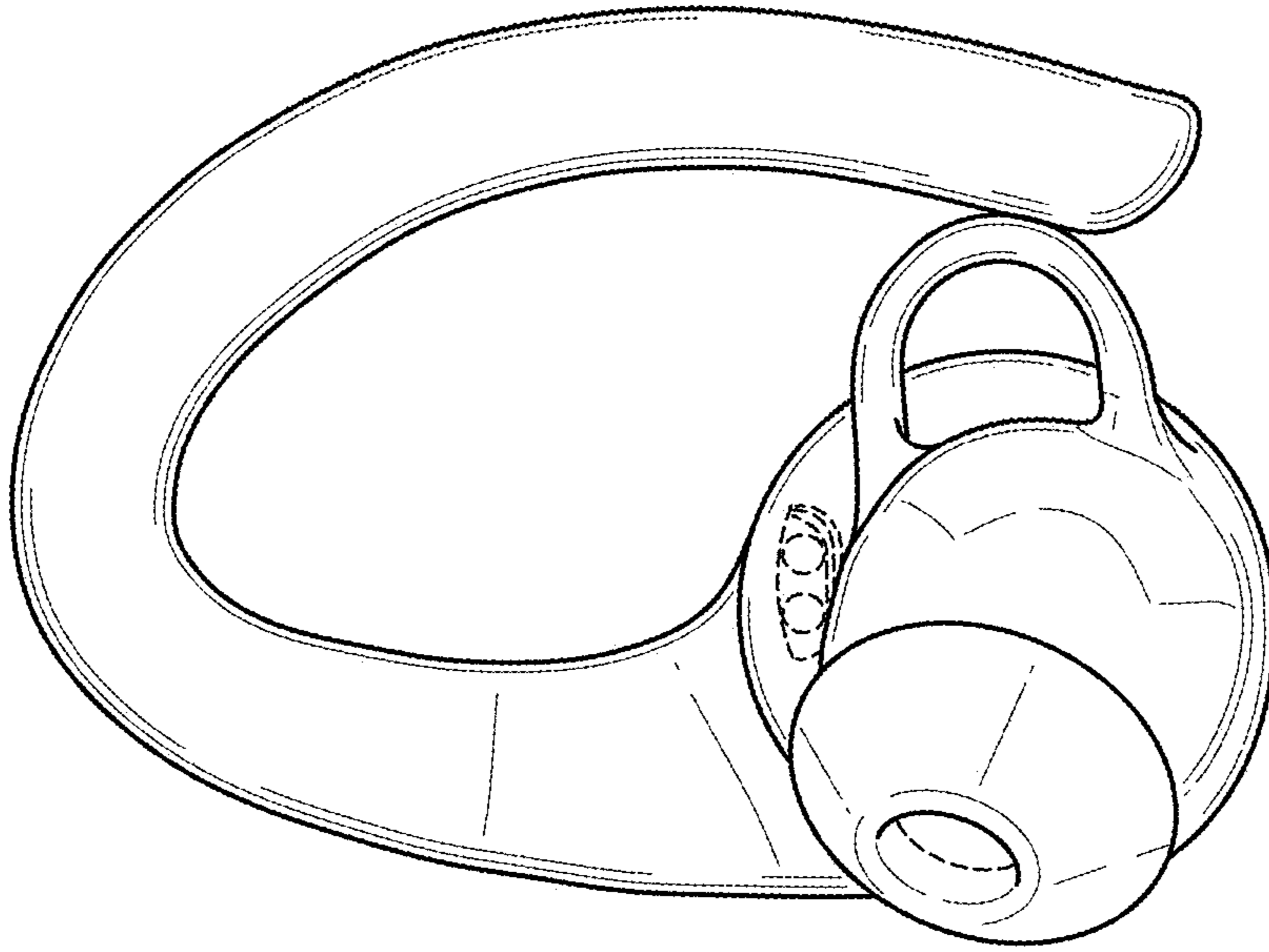


FIG. 15

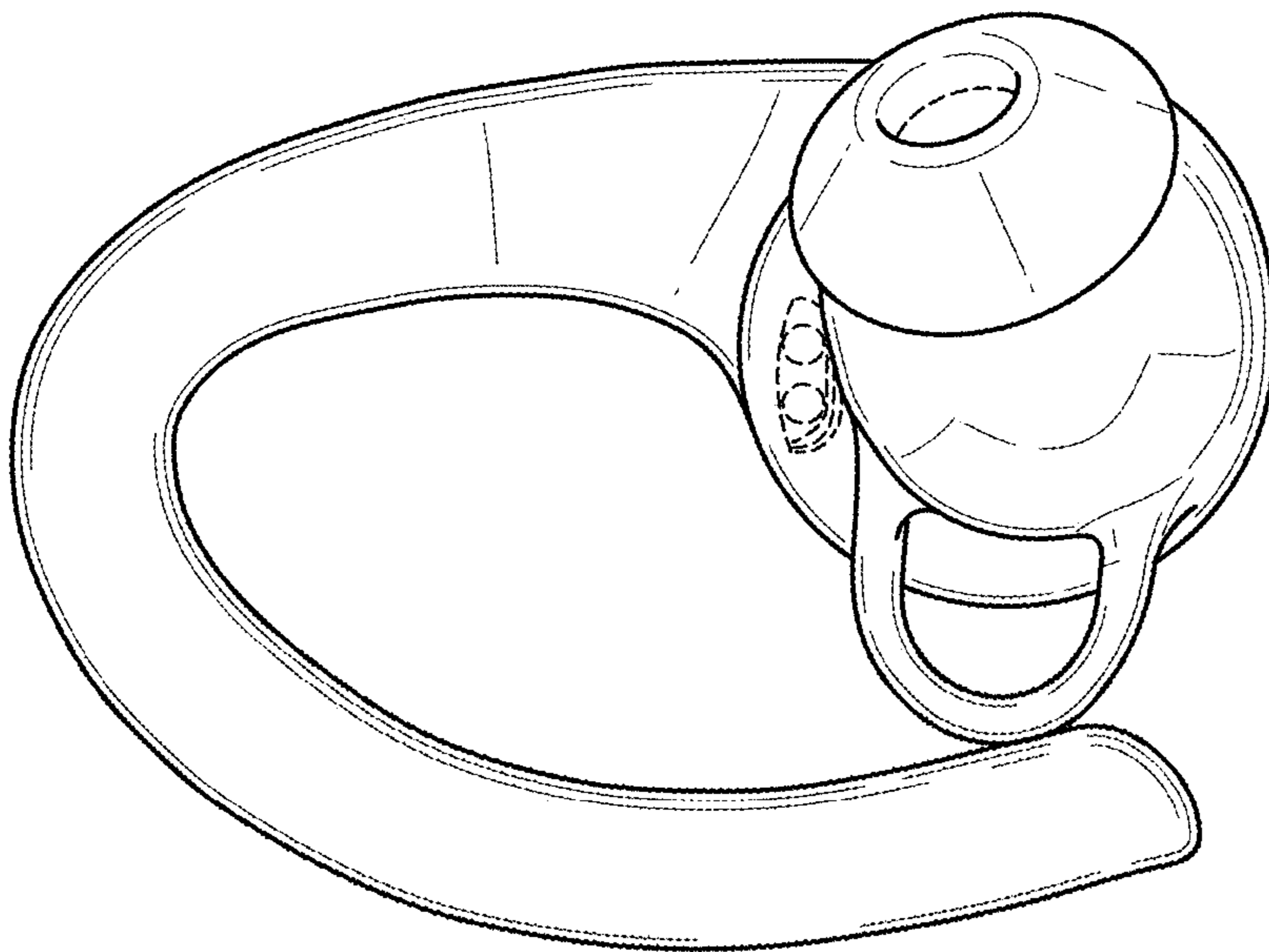


FIG. 16