



US00D918177S

(12) **United States Design Patent**  
**Kosaka**

(10) **Patent No.:** **US D918,177 S**

(45) **Date of Patent:** **\*\* May 4, 2021**

(54) **EARPHONE**

(71) Applicant: **SONY CORPORATION**, Tokyo (JP)

(72) Inventor: **Mayu Kosaka**, Tokyo (JP)

(73) Assignee: **SONY CORPORATION**, Tokyo (JP)

(\*\*) Term: **15 Years**

(21) Appl. No.: **29/684,239**

(22) Filed: **Mar. 19, 2019**

(30) **Foreign Application Priority Data**

Dec. 17, 2018	(CN)	.....	201830731908.9
Dec. 17, 2018	(JP)	.....	D2018-027440
Dec. 17, 2018	(JP)	.....	D2018-027441
Dec. 17, 2018	(JP)	.....	D2018-027442
Dec. 26, 2018	(CN)	.....	201830757874.0
Dec. 26, 2018	(CN)	.....	201830758005.X

(Continued)

(51) **LOC (13) Cl.** ..... **14-01**

(52) **U.S. Cl.**  
USPC ..... **D14/223**

(58) **Field of Classification Search**  
USPC ..... D14/223, 205; 381/380, 381, 374;  
455/90.3, 575.1, 569.1

(Continued)

(56) **References Cited**

**U.S. PATENT DOCUMENTS**

5,809,159 A *	9/1998	Lee	.....	H04M 1/05
				381/174
D539,268 S	3/2007	Suzuki		

(Continued)

**FOREIGN PATENT DOCUMENTS**

CN	300824905 S	9/2008
CN	301558888 S	5/2011

(Continued)

**OTHER PUBLICATIONS**

“Michael young for EOps-EOps noisezerio i+ eco edition in-ear headphones”, Website <https://www.designboom.com/design/michael-young-for-eops/>, Dec. 24, 2010, all design news.

*Primary Examiner* — Paula Allen Greene

(74) *Attorney, Agent, or Firm* — Michael Best and Friedrich LLP

(57) **CLAIM**

The ornamental design for an earphone, as shown and described.

**DESCRIPTION**

FIG. 1 is a perspective view of a first embodiment of an earphone showing my new design;

FIG. 2 is a front elevational view thereof;

FIG. 3 is a right side elevational view thereof;

FIG. 4 is a top plan view thereof; and

FIG. 5 is a bottom plan view thereof.

FIG. 6 is a perspective view of a second embodiment of an earphone showing my new design;

FIG. 7 is a front elevational view thereof;

FIG. 8 is a right side elevational view thereof;

FIG. 9 is a top plan view thereof; and

FIG. 10 is a bottom plan view thereof.

FIG. 11 is a perspective view of a third embodiment of an earphone showing my new design;

FIG. 12 is a front elevational view thereof;

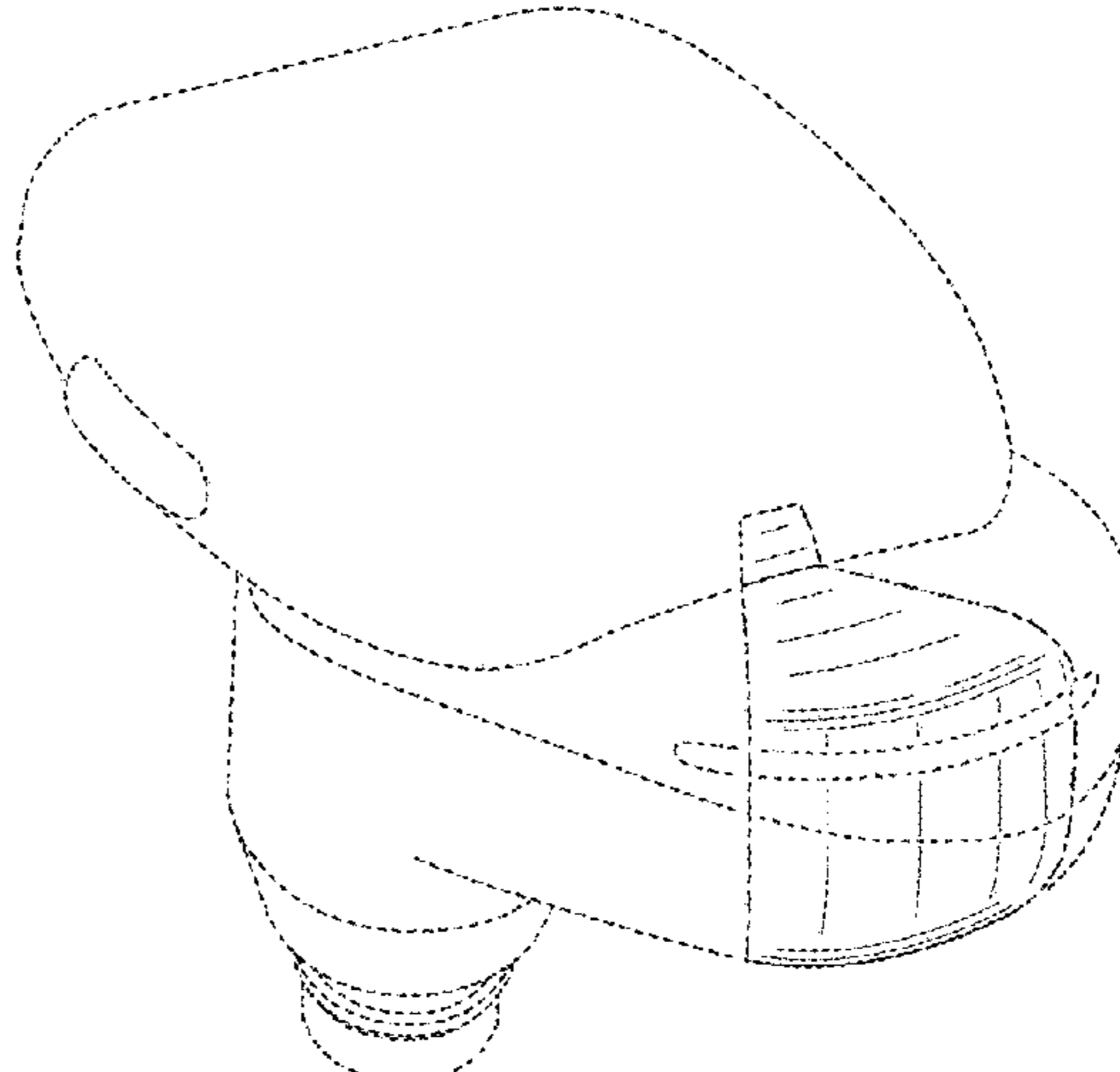
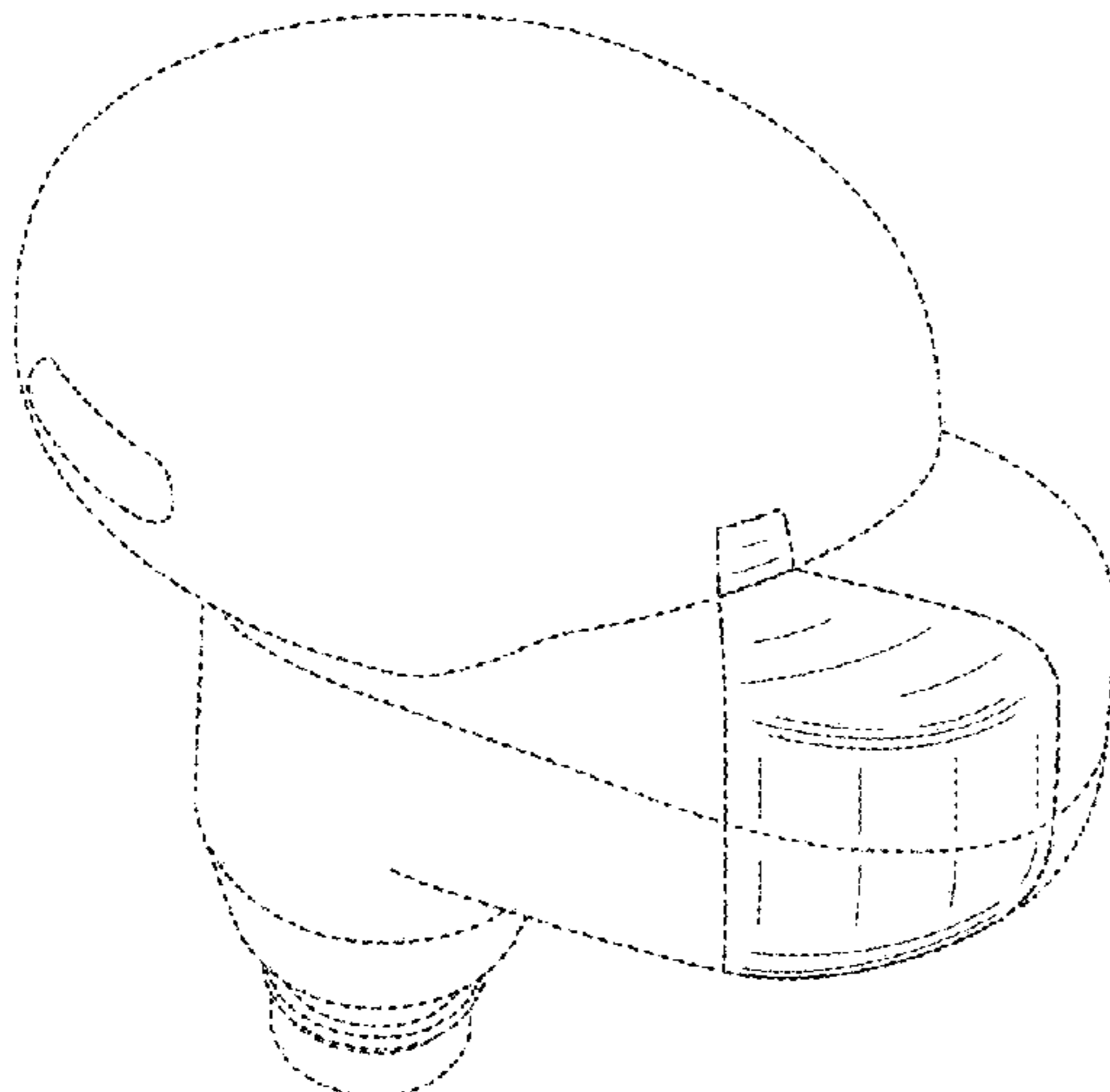
FIG. 13 is a right side elevational view thereof;

FIG. 14 is a top plan view thereof; and,

FIG. 15 is a bottom plan view thereof.

The broken lines illustrating portions of the earphone form no part of the claimed design. The dot-dash broken lines define the boundaries of the claimed design and form no part of the claimed design.

**1 Claim, 15 Drawing Sheets**



(30) Foreign Application Priority Data

Dec. 27, 2018 (CN) ..... 201830761067.6  
 Dec. 27, 2018 (CN) ..... 201830761321.2  
 Dec. 27, 2018 (CN) ..... 201830761547.2

(58) Field of Classification Search

CPC ..... H04R 1/10; H04R 25/00; H04R 1/1016;  
 H04R 1/1066; H04R 5/033; H04R  
 5/0335; H04R 1/1091

See application file for complete search history.

(56) References Cited

U.S. PATENT DOCUMENTS

7,187,948 B2 \* 3/2007 Alden ..... H04B 1/3805  
 D564,495 S \* 3/2008 Sasaki ..... D14/205  
 7,395,090 B2 \* 7/2008 Alden ..... H04B 1/3805  
 381/74  
 D579,005 S 10/2008 Wilhelmsen  
 D601,134 S \* 9/2009 Elabidi ..... D14/223  
 D601,548 S 10/2009 Morisawa  
 D615,206 S \* 5/2010 Vaterlaus ..... D24/174  
 D627,766 S \* 11/2010 Arimoto ..... D14/223  
 D635,558 S 4/2011 Zheng  
 8,014,824 B2 \* 9/2011 Alden ..... H04B 1/3805  
 381/74  
 D664,523 S \* 7/2012 Naitou ..... D14/223  
 D666,990 S 9/2012 Komiyama et al.  
 D677,243 S 3/2013 Komiyama et al.  
 8,391,536 B2 \* 3/2013 Hashimoto ..... H04R 1/1016  
 381/370  
 D679,682 S 4/2013 Shimizu et al.  
 8,457,557 B2 \* 6/2013 Alden ..... H04L 63/0492  
 455/41.2  
 D687,021 S \* 7/2013 Yuen ..... D14/223  
 8,515,115 B2 \* 8/2013 Kelly ..... H04R 1/105  
 381/370  
 8,542,859 B2 \* 9/2013 Alden ..... H04R 1/1066  
 381/367

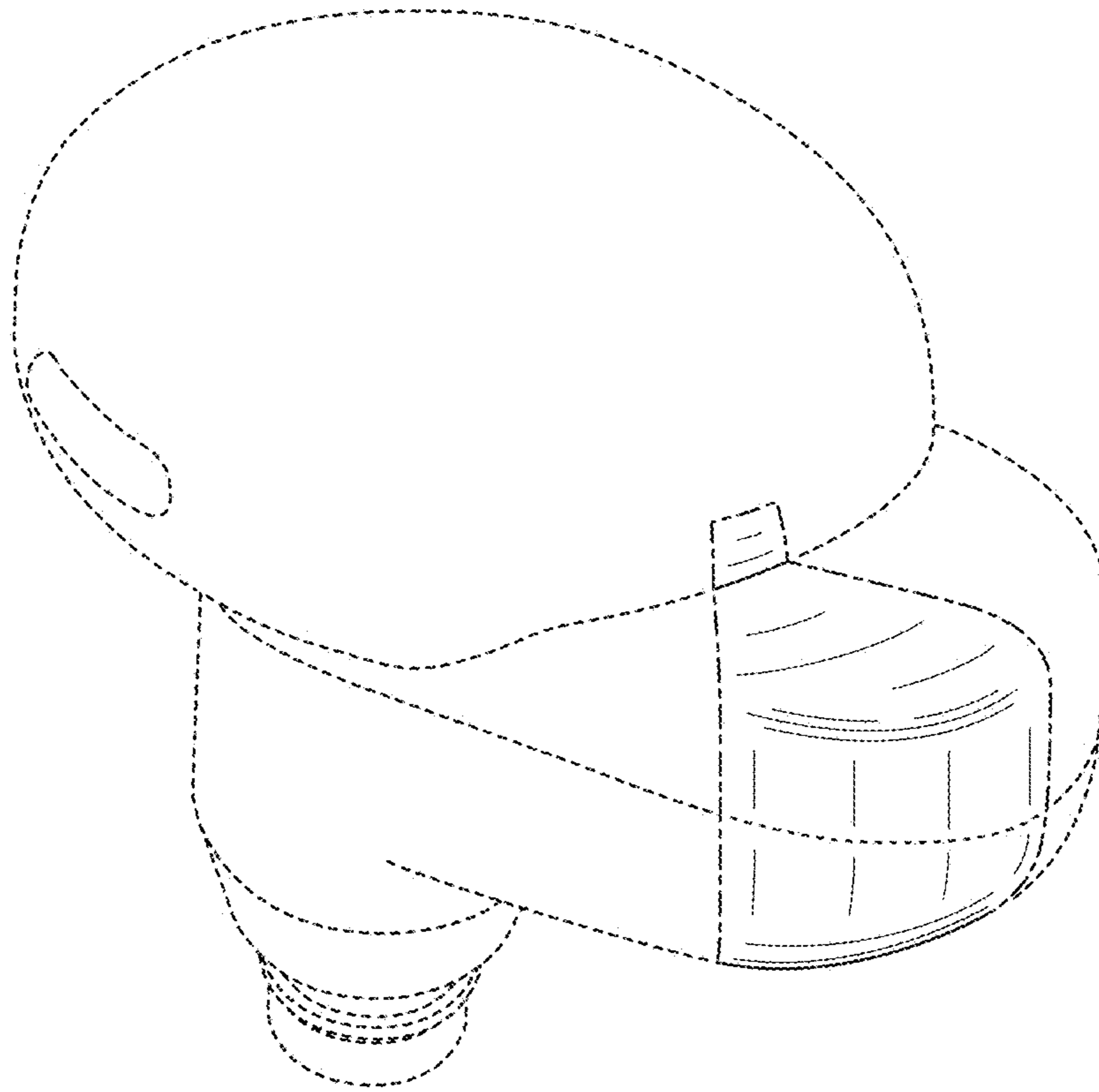
D695,261 S 12/2013 Katsumata  
 8,712,087 B2 \* 4/2014 Ozawa ..... H04R 1/345  
 181/130  
 D728,533 S \* 5/2015 Poulsen ..... D14/223  
 D740,786 S \* 10/2015 Huang ..... D14/205  
 D744,456 S \* 12/2015 Pedersen ..... D14/223  
 D745,489 S \* 12/2015 Bjelle ..... D14/205  
 D755,158 S \* 5/2016 Lee ..... D14/205  
 D773,439 S \* 12/2016 Walker ..... D14/205  
 D783,578 S \* 4/2017 Bristol ..... D14/223  
 D803,185 S 11/2017 Loh Jun Kern et al.  
 D808,934 S \* 1/2018 Tang ..... D14/223  
 D844,585 S 4/2019 Sogabe  
 2014/0056459 A1 \* 2/2014 Oishi ..... H04R 1/10  
 381/370

FOREIGN PATENT DOCUMENTS

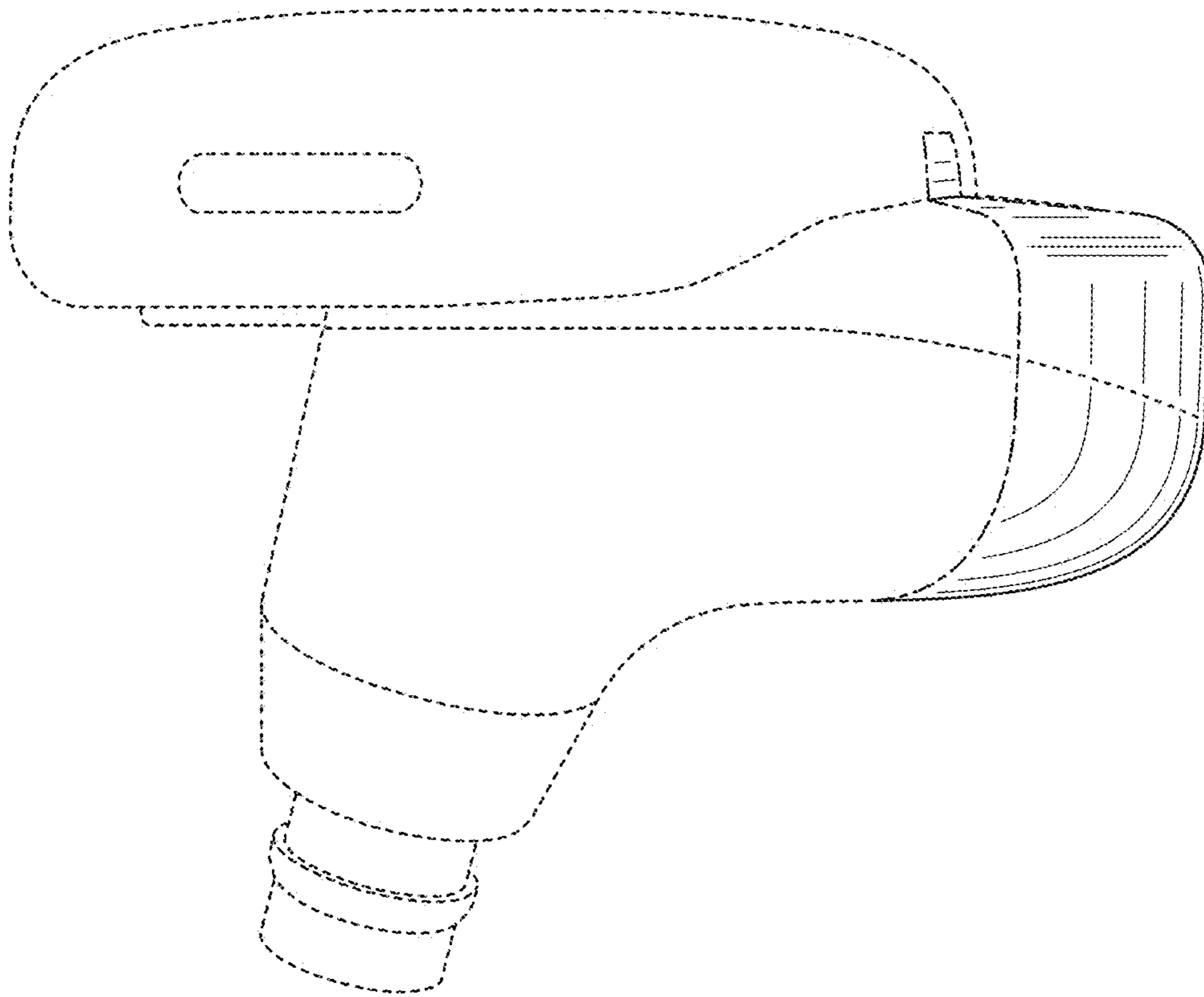
CN 302341056 S 3/2013  
 CN 302423379 S 5/2013  
 CN 302916949 S 8/2014  
 CN 303225604 S 5/2015  
 CN 303287430 S 7/2015  
 CN 303792162 S 8/2016  
 CN 304138836 S 5/2017  
 CN 304240801 S 8/2017  
 CN 304444006 S 1/2018  
 CN 304566264 S 4/2018  
 CN 304635035 S 5/2018  
 CN 304816789 S 9/2018  
 CN 304829575 S 9/2018  
 JP D1083872 S 9/2000  
 JP D1261819 S 2/2006  
 JP D1379169 S 2/2010  
 JP D1397866 S 10/2010  
 JP D1516351 S 2/2015  
 JP D1533201 S 9/2015  
 JP D1580979 S 7/2017  
 JP D1598683 S 3/2018  
 KR 30-0919082 S 8/2017

\* cited by examiner

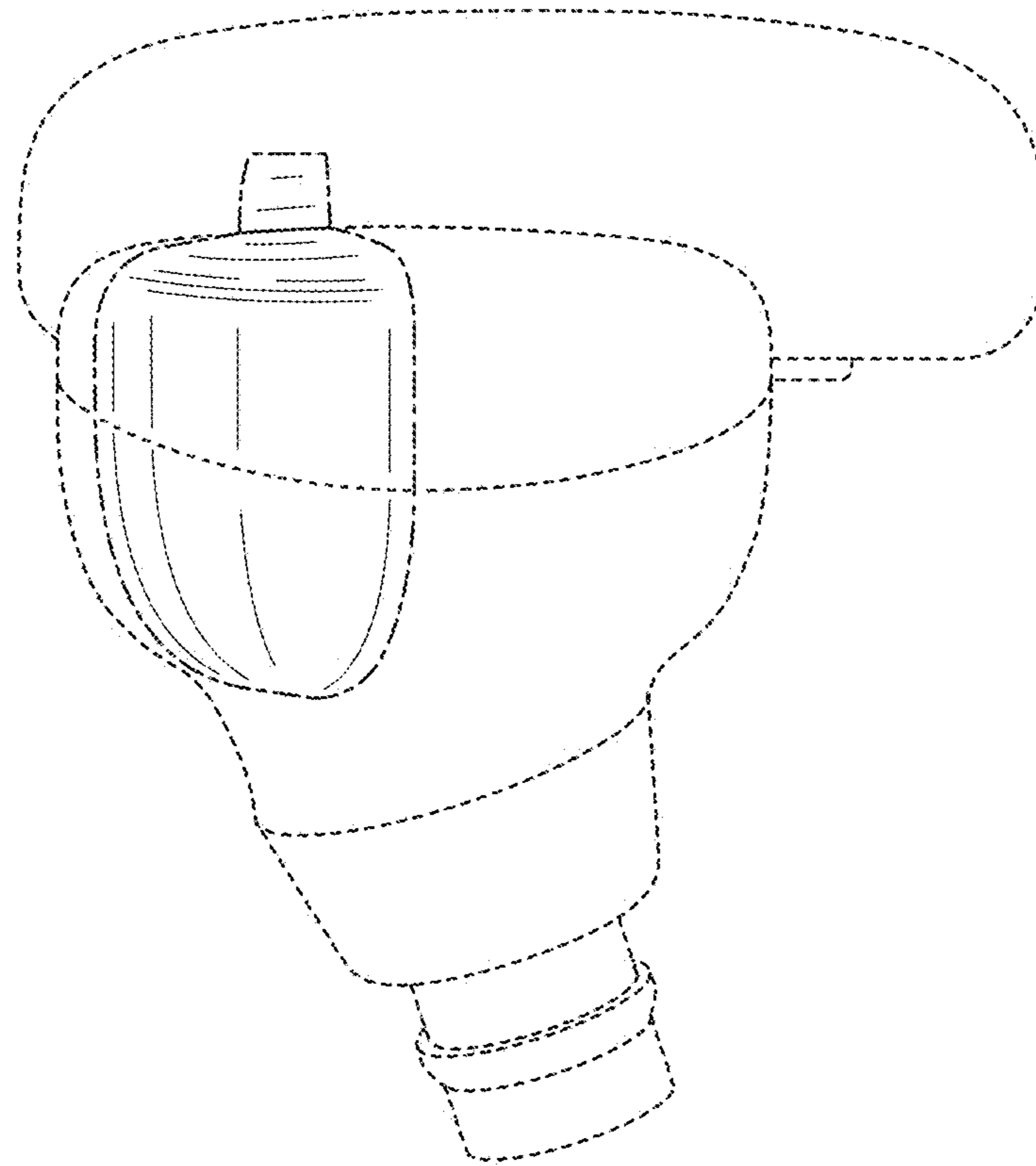
*FIG. 1*



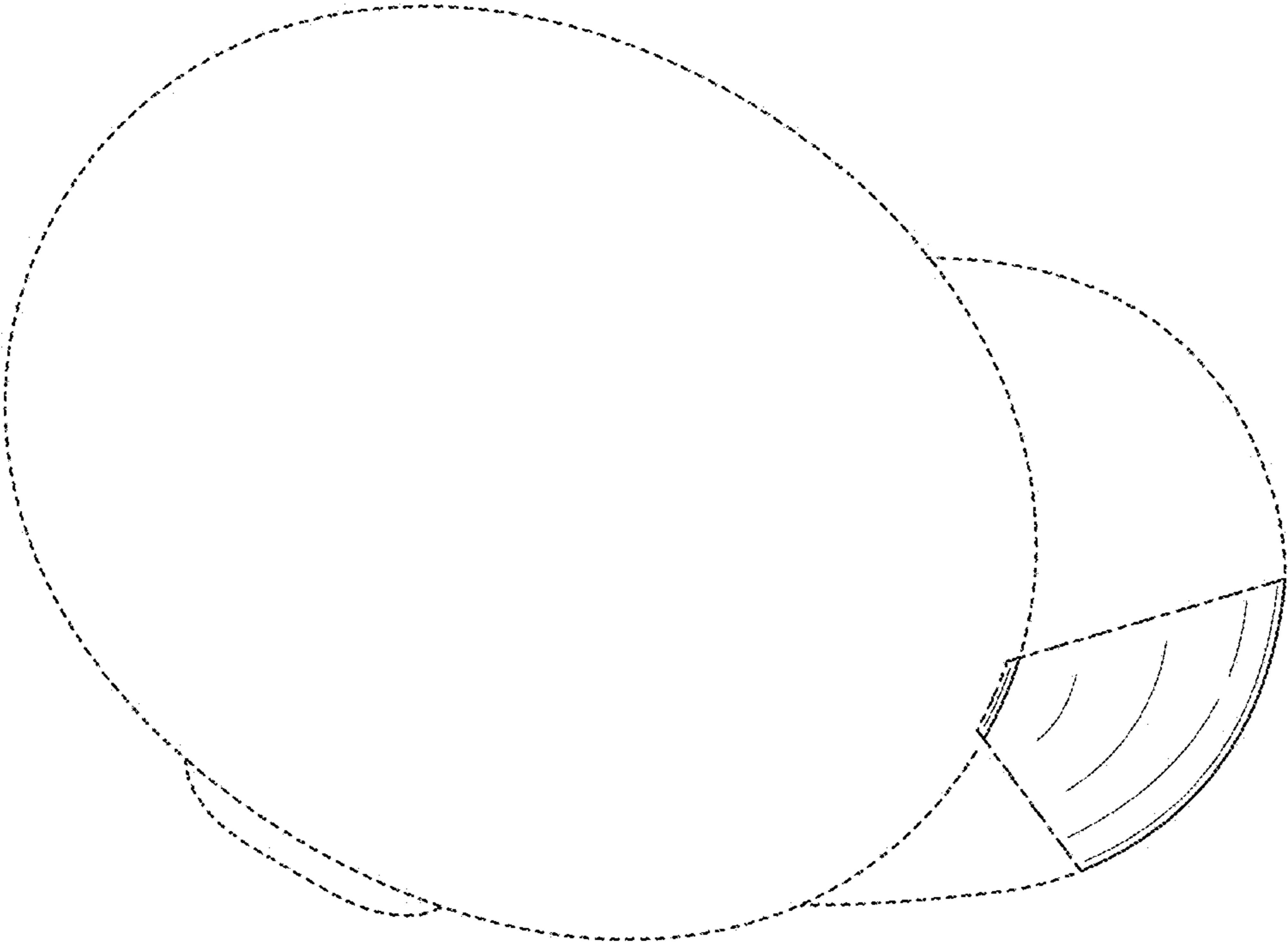
*FIG. 2*



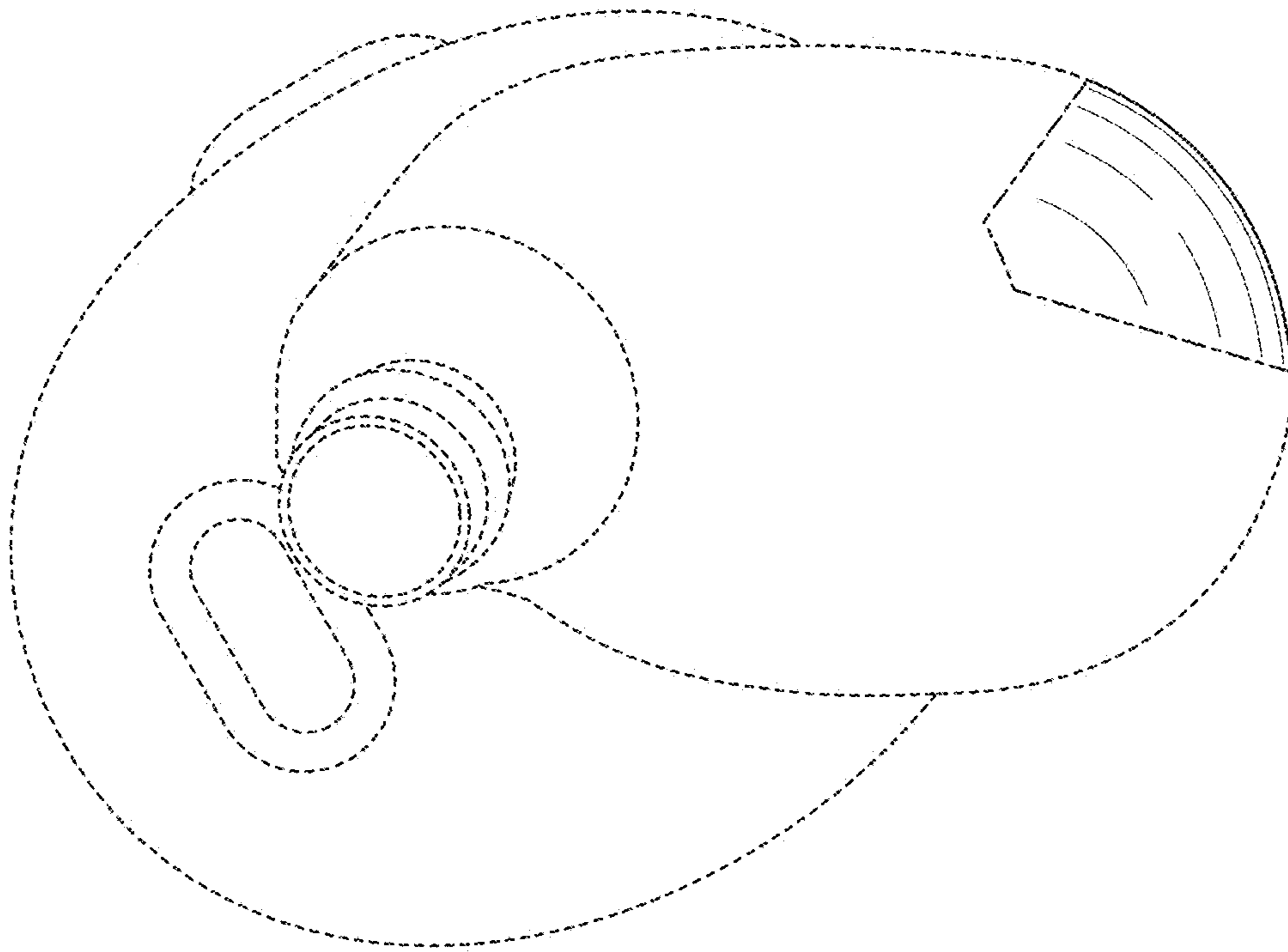
*FIG. 3*



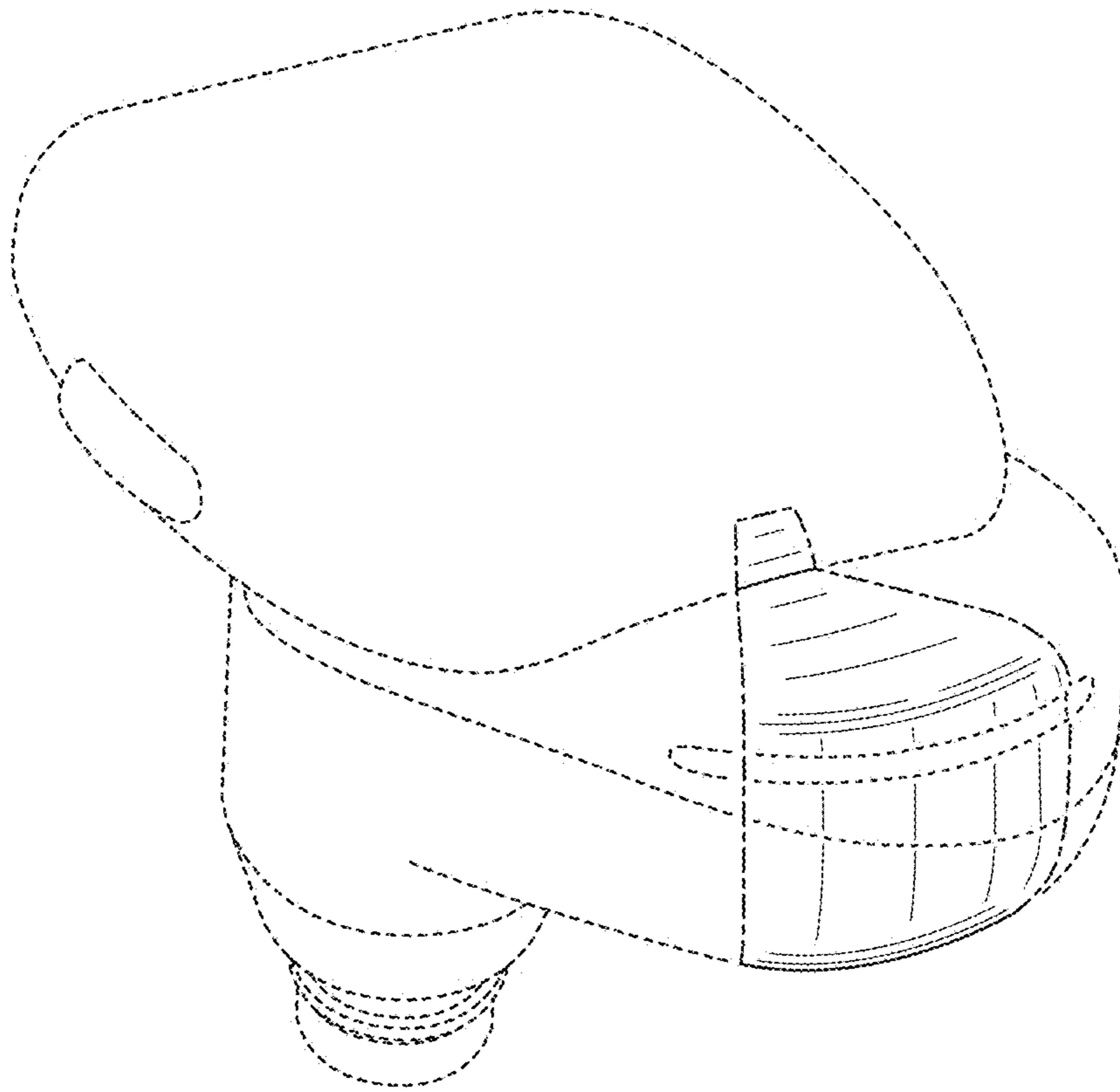
*FIG. 4*



*FIG. 5*

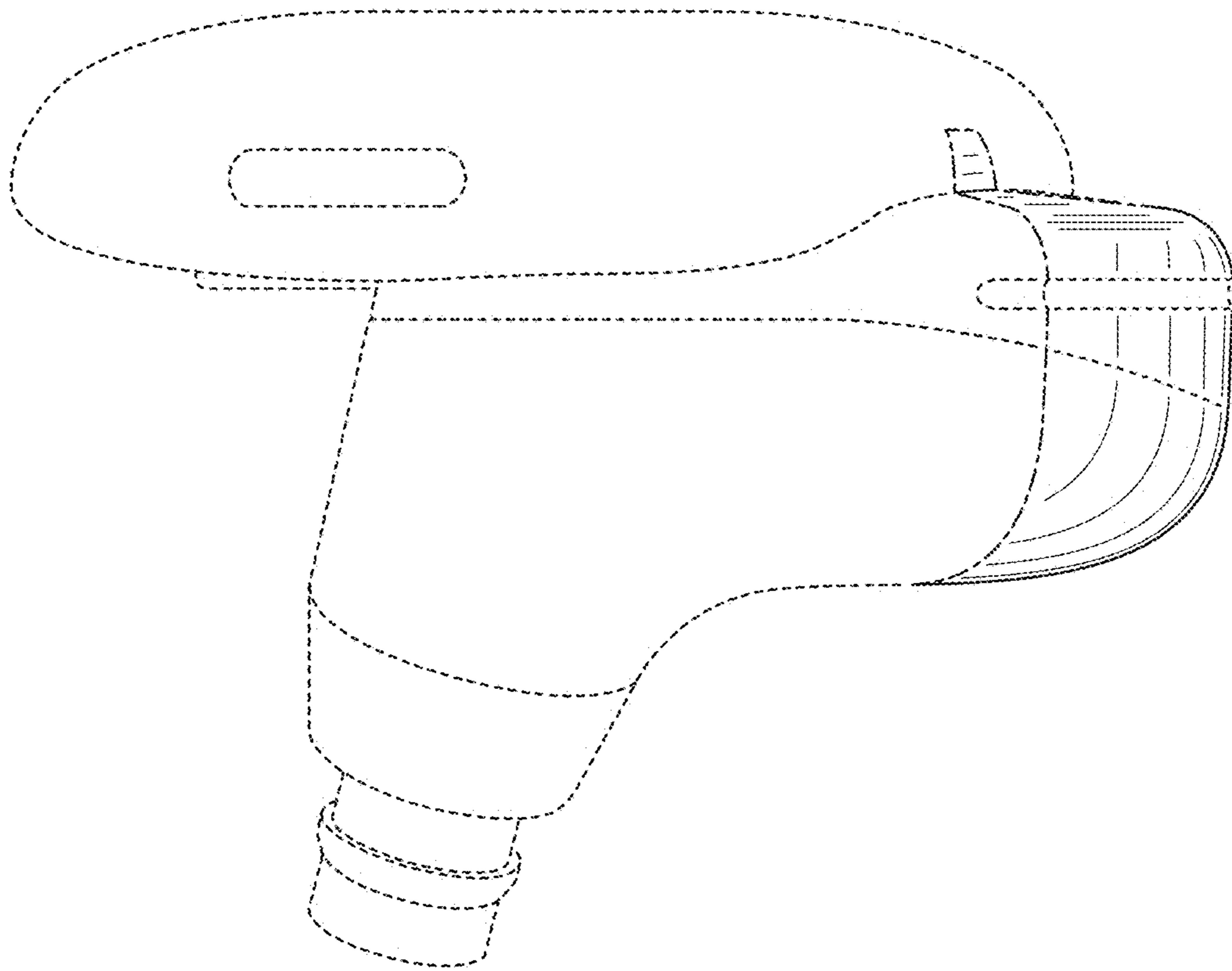


*FIG. 6*

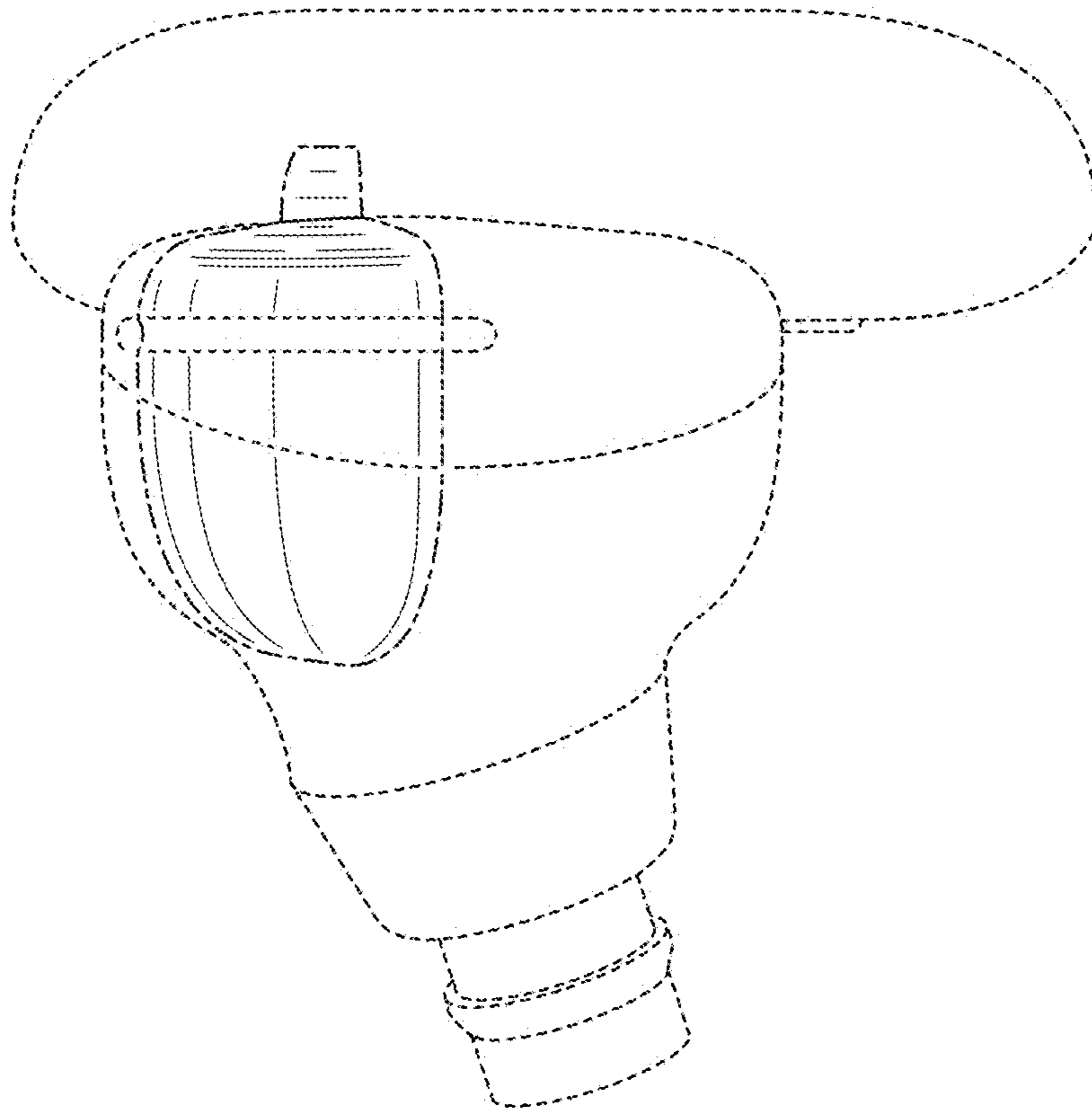




*FIG. 7*



*FIG. 8*



*FIG. 9*

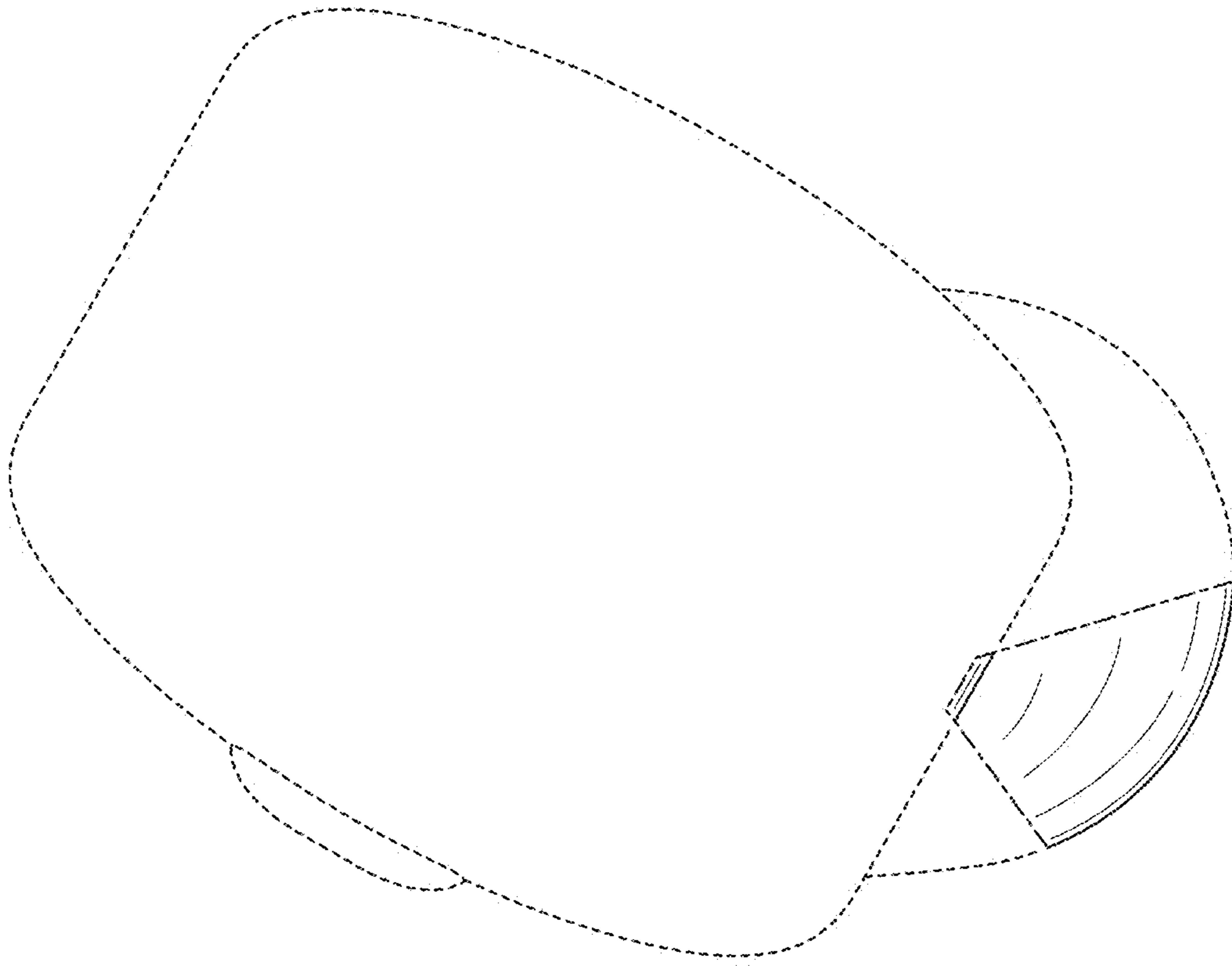
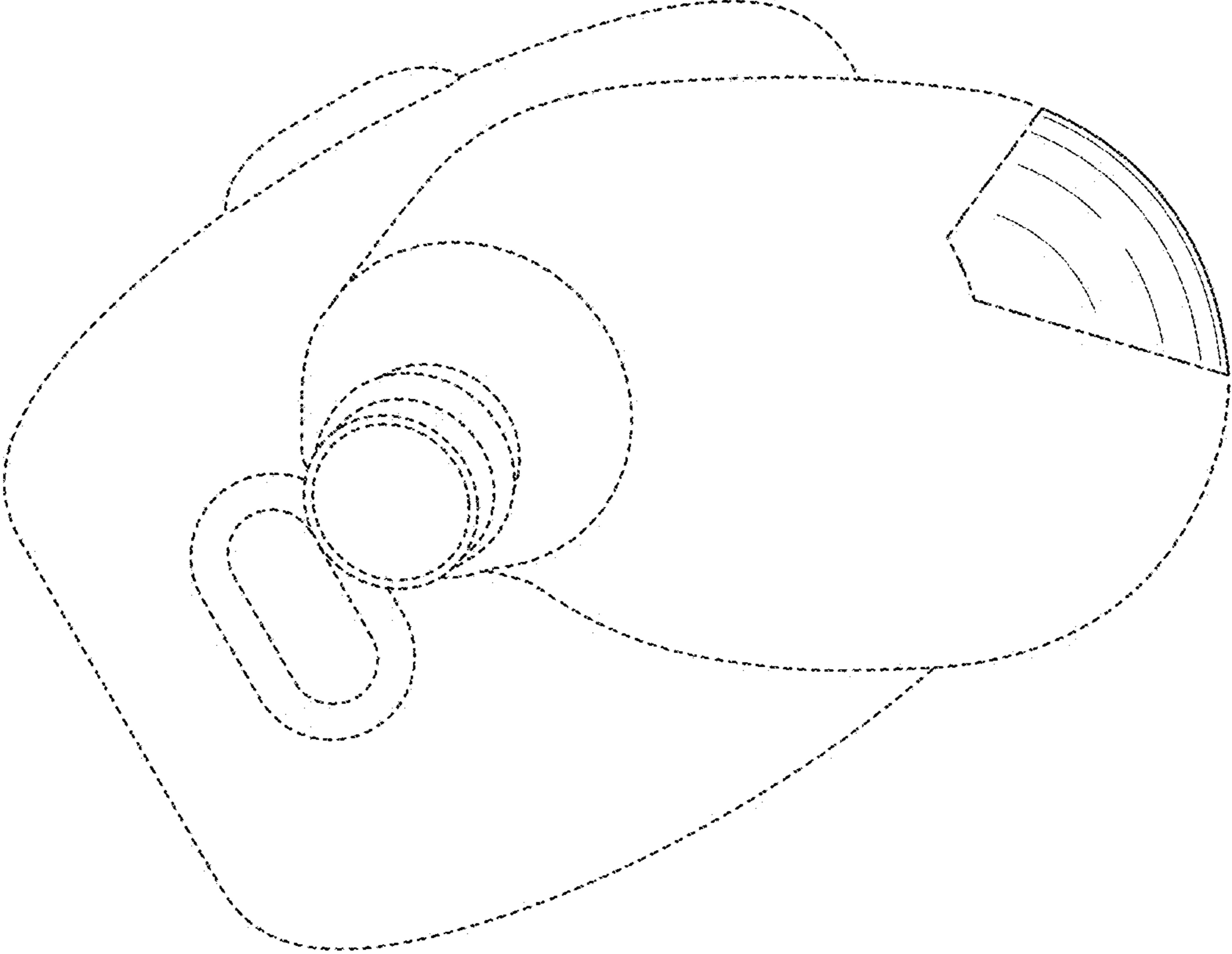
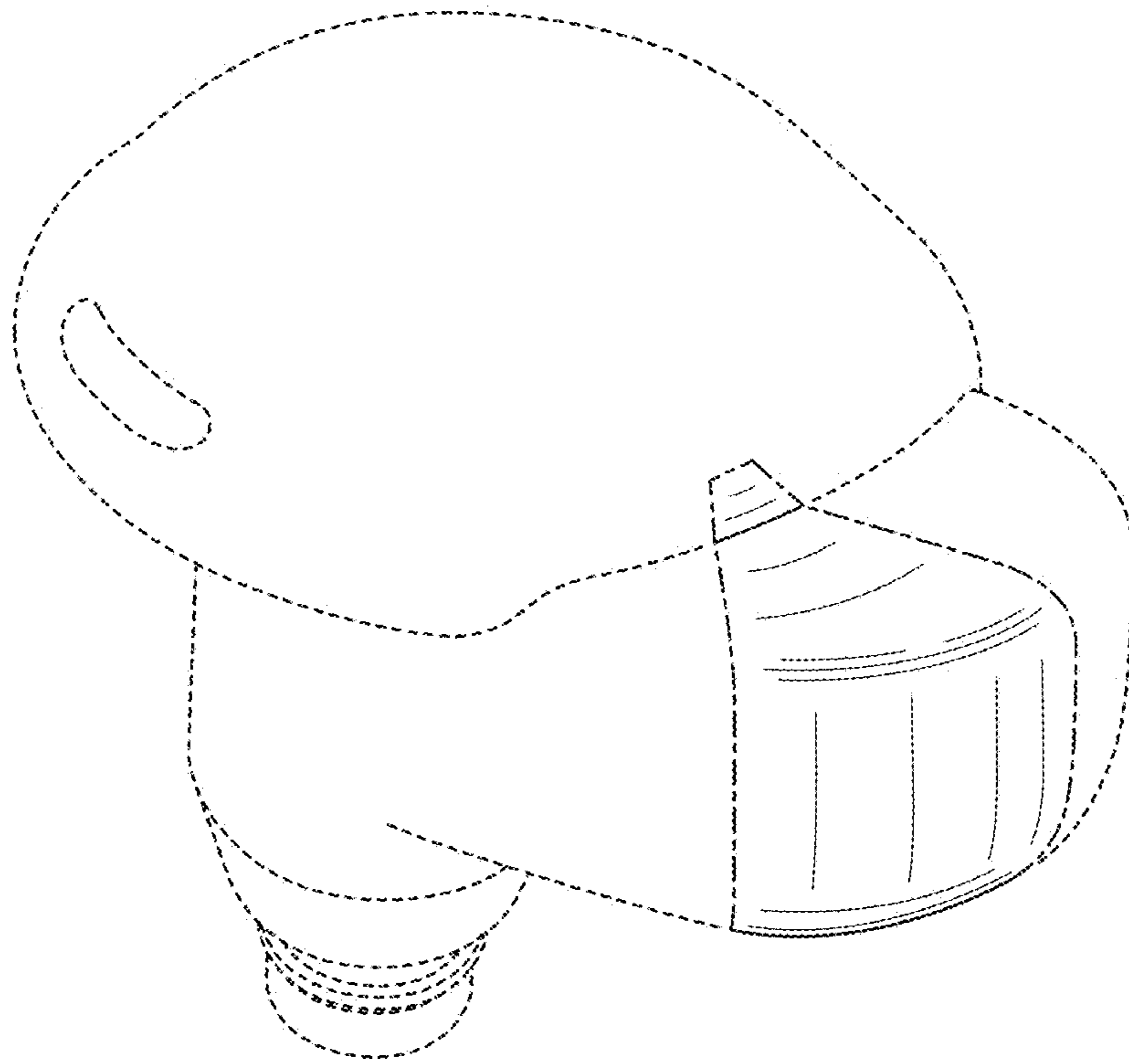


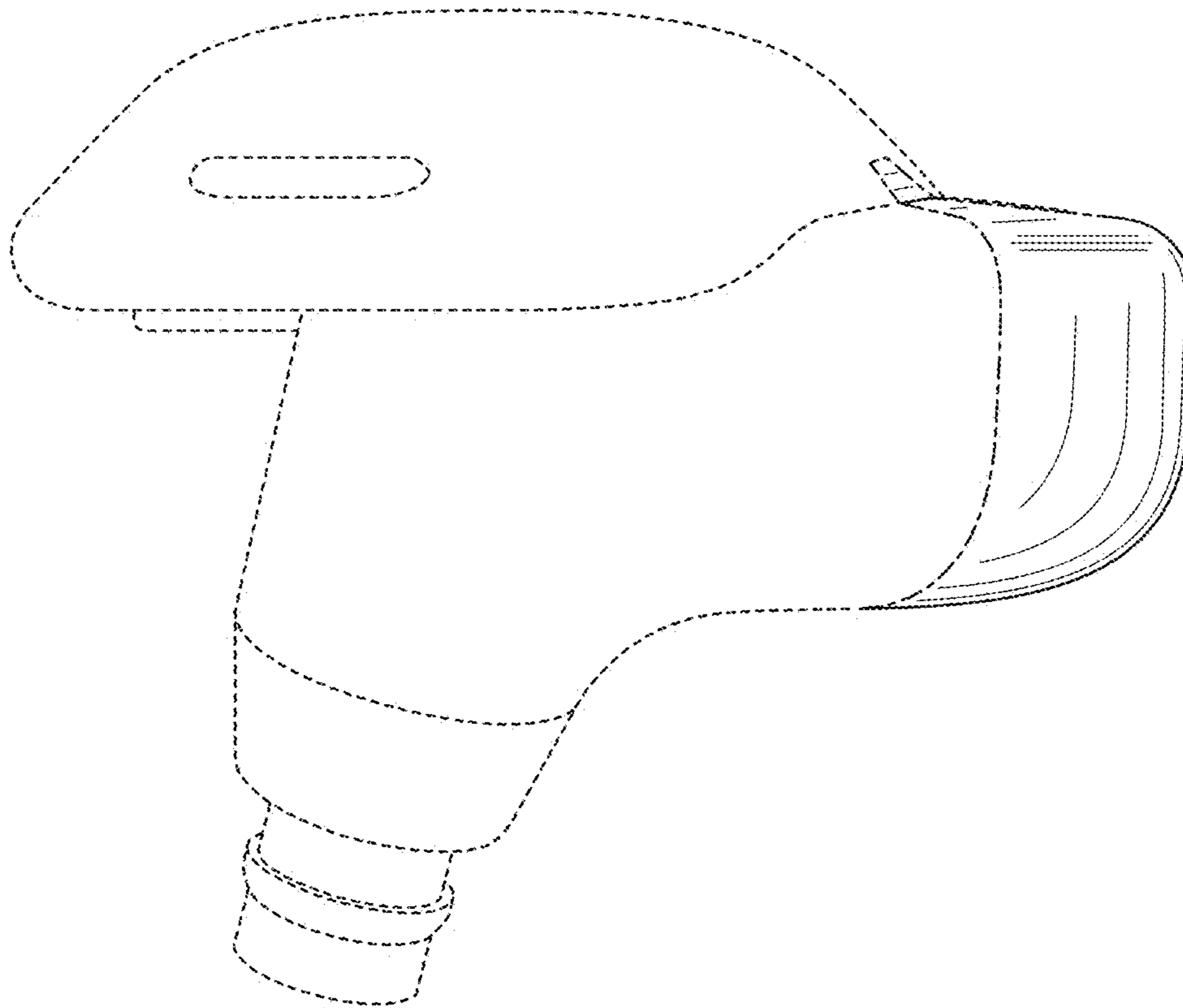
FIG. 10



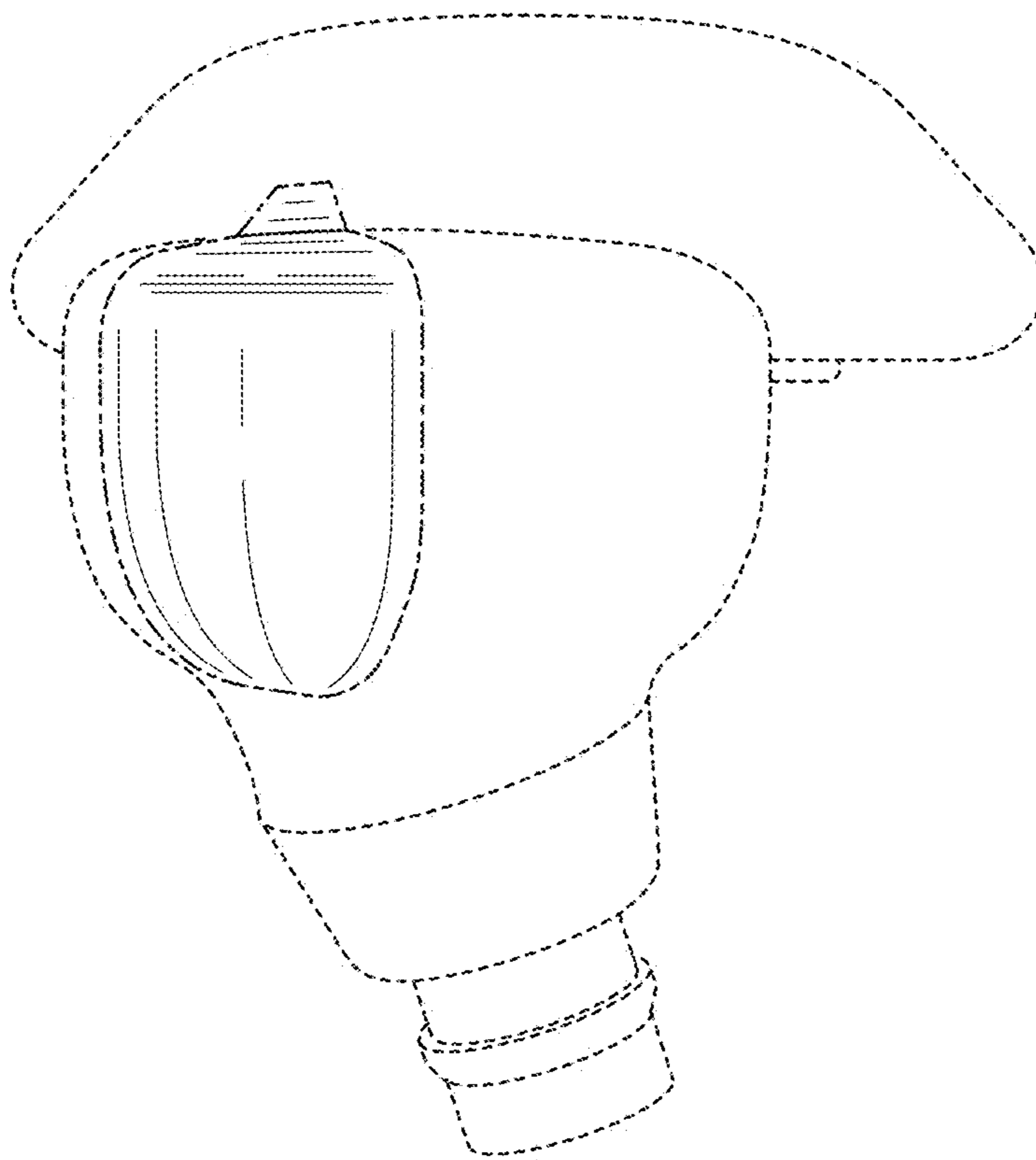
*FIG. 11*



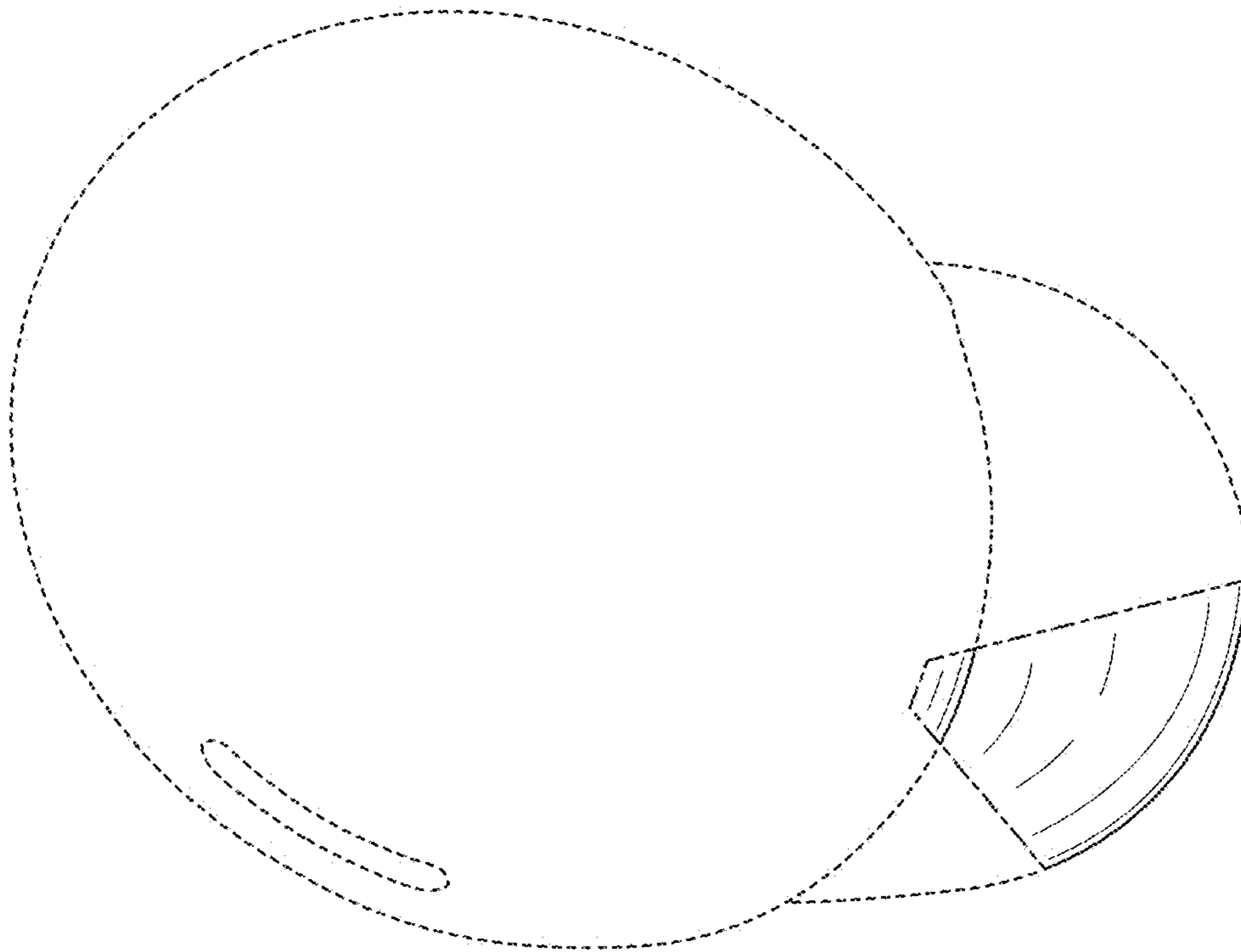
*FIG. 12*



*FIG. 13*



*FIG. 14*





*FIG. 15*

