



US00D918174S

(12) **United States Design Patent**
Czaniecki et al.

(10) **Patent No.:** **US D918,174 S**

(45) **Date of Patent:** **** May 4, 2021**

(54) **LOUDSPEAKER**

(71) Applicant: **Harman International Industries, Incorporated**, Northridge, CA (US)

(72) Inventors: **Rafal Czaniecki**, Shenzhen (CN);
Damian Mackiewicz, Shenzhen (CN);
Joey Verbeke, San Francisco, CA (US);
Davide Di Censo, Sunnyvale, CA (US);
Dan Pye, San Francisco, CA (US);
Stefan Marti, Oakland, CA (US);
Alexander Demin, Shenzhen (CN)

(73) Assignee: **Harman International Industries, Incorporated**, Northridge, CA (US)

(**) Term: **15 Years**

(21) Appl. No.: **29/672,122**

(22) Filed: **Dec. 3, 2018**

Related U.S. Application Data

(60) Division of application No. 29/565,380, filed on May 19, 2016, now Pat. No. Des. 862,416, which is a continuation-in-part of application No. 29/516,628, filed on Feb. 4, 2015, now Pat. No. Des. 766,215, which is a continuation of application No. 29/496,384, filed on Jul. 11, 2014, now abandoned.

(51) **LOC (13) Cl.** **14-01**

(52) **U.S. Cl.**

USPC **D14/216**; D14/215

(58) **Field of Classification Search**

USPC D14/167, 168, 170–172, 188, 194–196,
D14/204, 207, 209.1, 210–216, 219, 221,
D14/222, 224, 239, 496

CPC B60R 11/0217; G06F 1/1688; G10K 9/22;
G10K 11/004; H03F 1/327; H04M 1/03;
H04M 1/035; H04N 5/642; H04N
21/4852; H04R 1/02; H04R 1/06; H04R
1/021; H04R 1/025; H04R 1/026; H04R
1/028; H04R 1/105; H04R 1/323; H04R
1/403; H04R 1/2803; H04R 1/2834;

H04R 5/02; H04R 7/20; H04R 9/06;
H04R 9/025; H04R 2201/021; H04R
2400/00; H04R 2201/07; H04R 2499/11;
H04R 2499/13; H04R 2499/15; H04S
3/00; H04S 7/30

See application file for complete search history.

(56)

References Cited

U.S. PATENT DOCUMENTS

D371,559 S	7/1996	Rozier et al.
D514,548 S	2/2006	Chan
D642,159 S	7/2011	Joseph
D659,680 S	5/2012	Kim et al.
D674,775 S	1/2013	Bolton
D681,010 S	4/2013	Cho et al.
D697,898 S	1/2014	Park
D718,275 S	11/2014	Shim et al.
D734,741 S	7/2015	Brunner et al.
D765,617 S	9/2016	Mackiewicz et al.

(Continued)

Primary Examiner — Keli L Hill

(74) *Attorney, Agent, or Firm* — Plumsea Law Group, LLC

(57)

CLAIM

The ornamental design for a loudspeaker, as shown and described.

DESCRIPTION

FIG. 1 is a front perspective view of a loudspeaker showing our new design;

FIG. 2 is a front view thereof;

FIG. 3 is a rear view thereof;

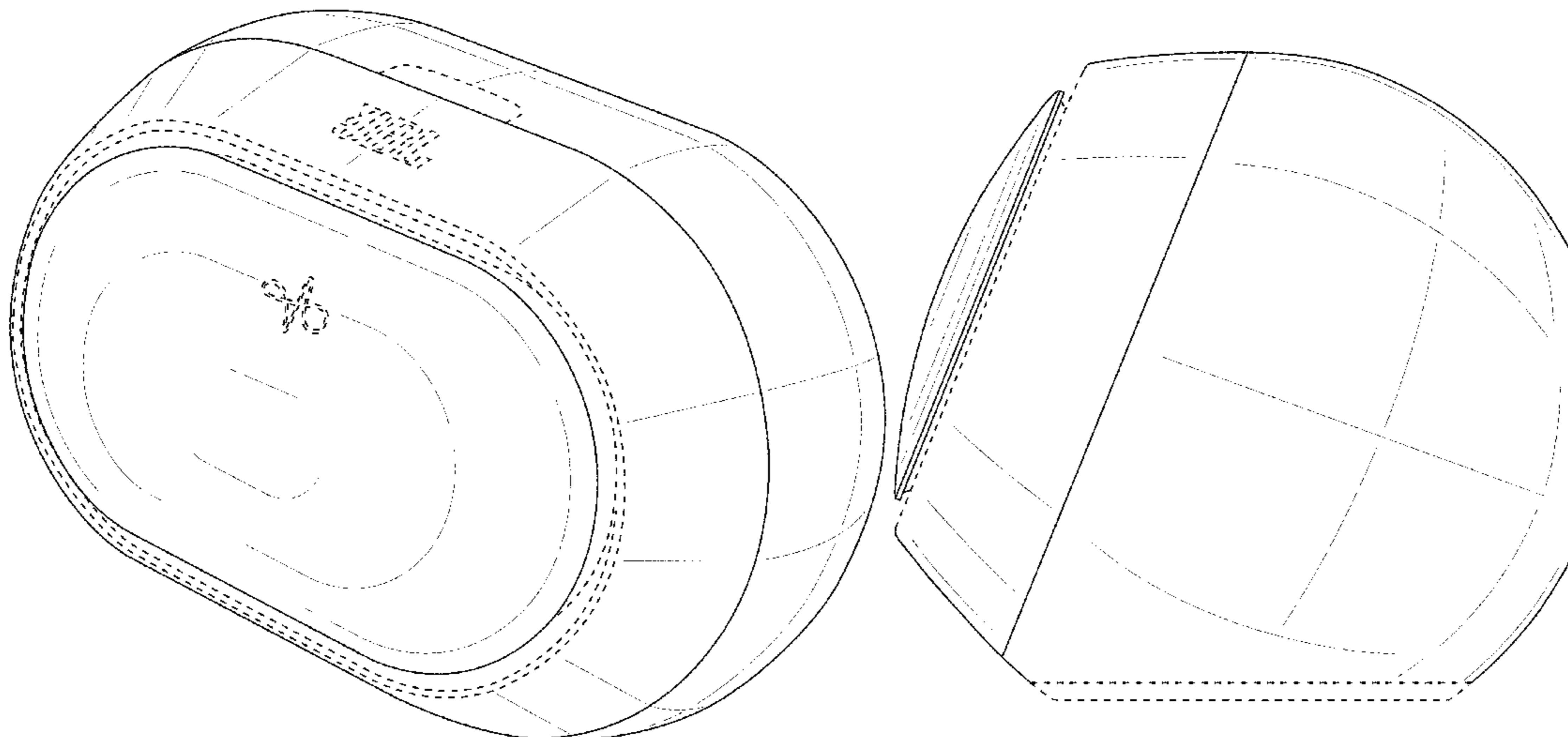
FIG. 4 is a side elevational view of one side thereof;

FIG. 5 is a side elevational view of the opposite side thereof; and,

FIG. 6 is a top view thereof.

The broken lines and unshaded areas form no part of the claimed design.

1 Claim, 6 Drawing Sheets



(56)

References Cited

U.S. PATENT DOCUMENTS

D766,215 S	9/2016	Mackiewicz et al.	
D800,687 S	10/2017	Kim et al.	
D801,307 S	10/2017	Kim et al.	
D818,987 S	5/2018	Sun et al.	
D842,841 S *	3/2019	Demin	D14/216
D892,076 S *	8/2020	Wu	D14/204
D897,989 S *	10/2020	Soofer	D14/207
D897,992 S *	10/2020	Chan	D14/214
D905,110 S *	12/2020	Zhang	D14/496

* cited by examiner

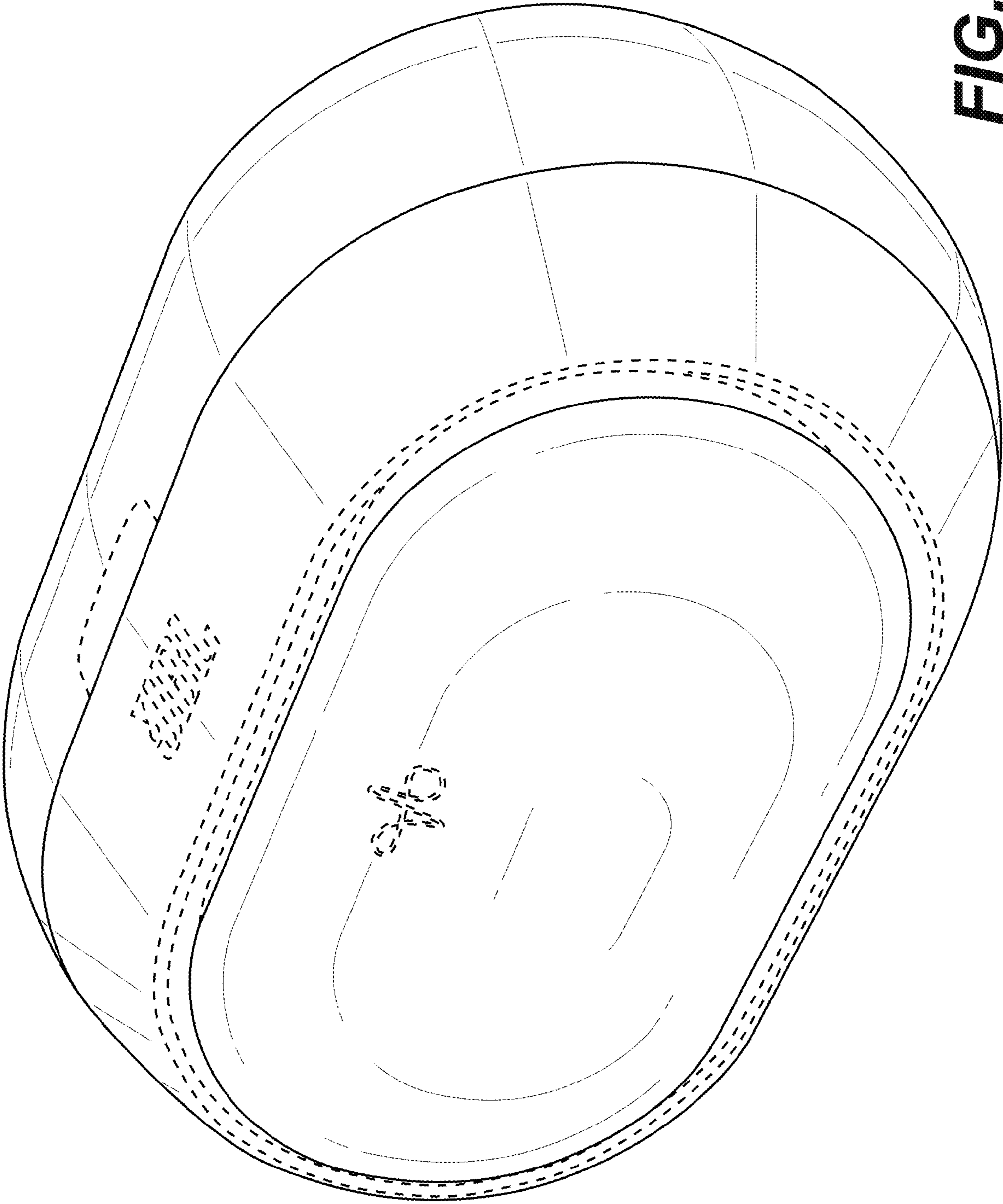


FIG. 1

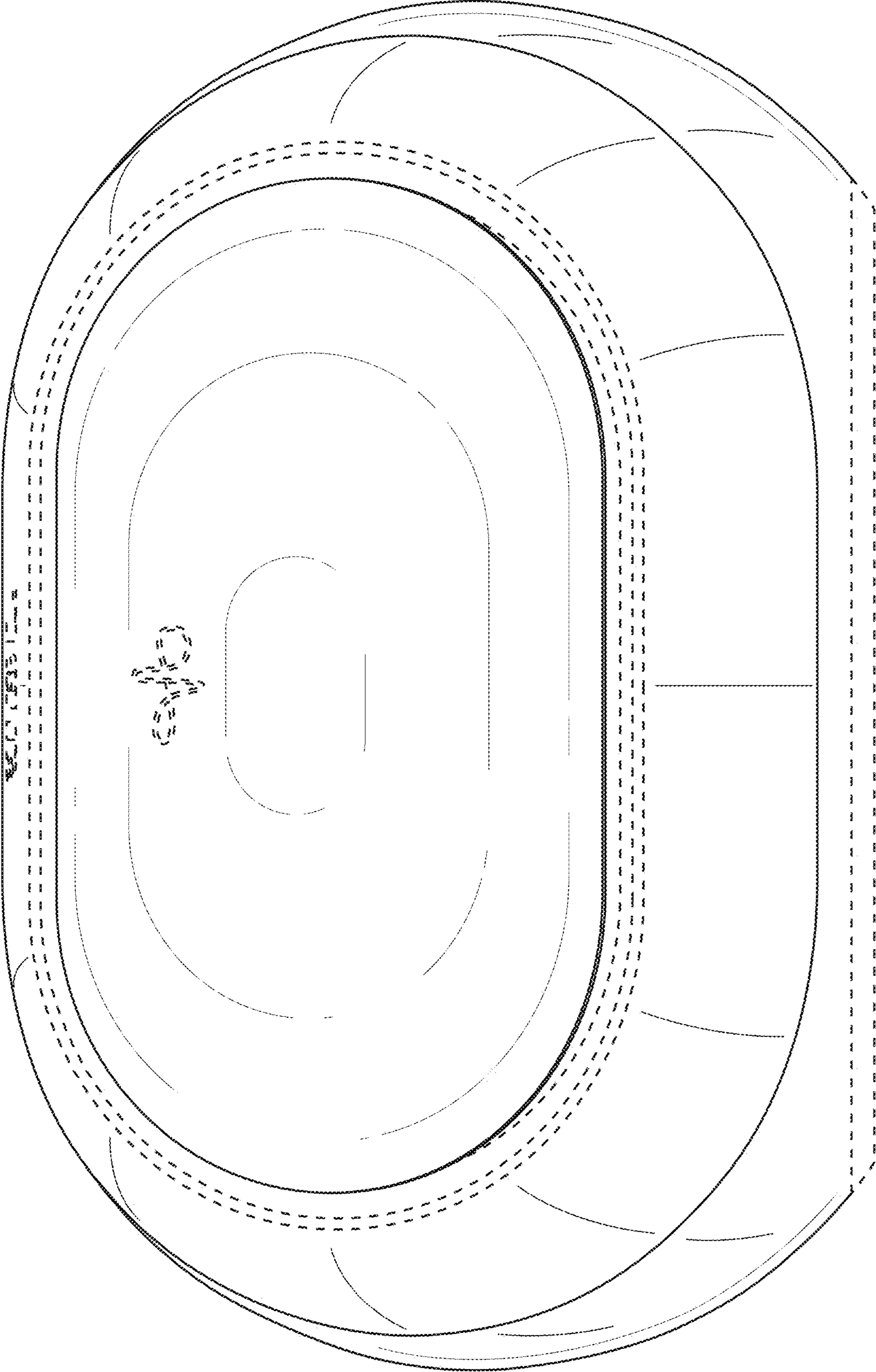


FIG. 2

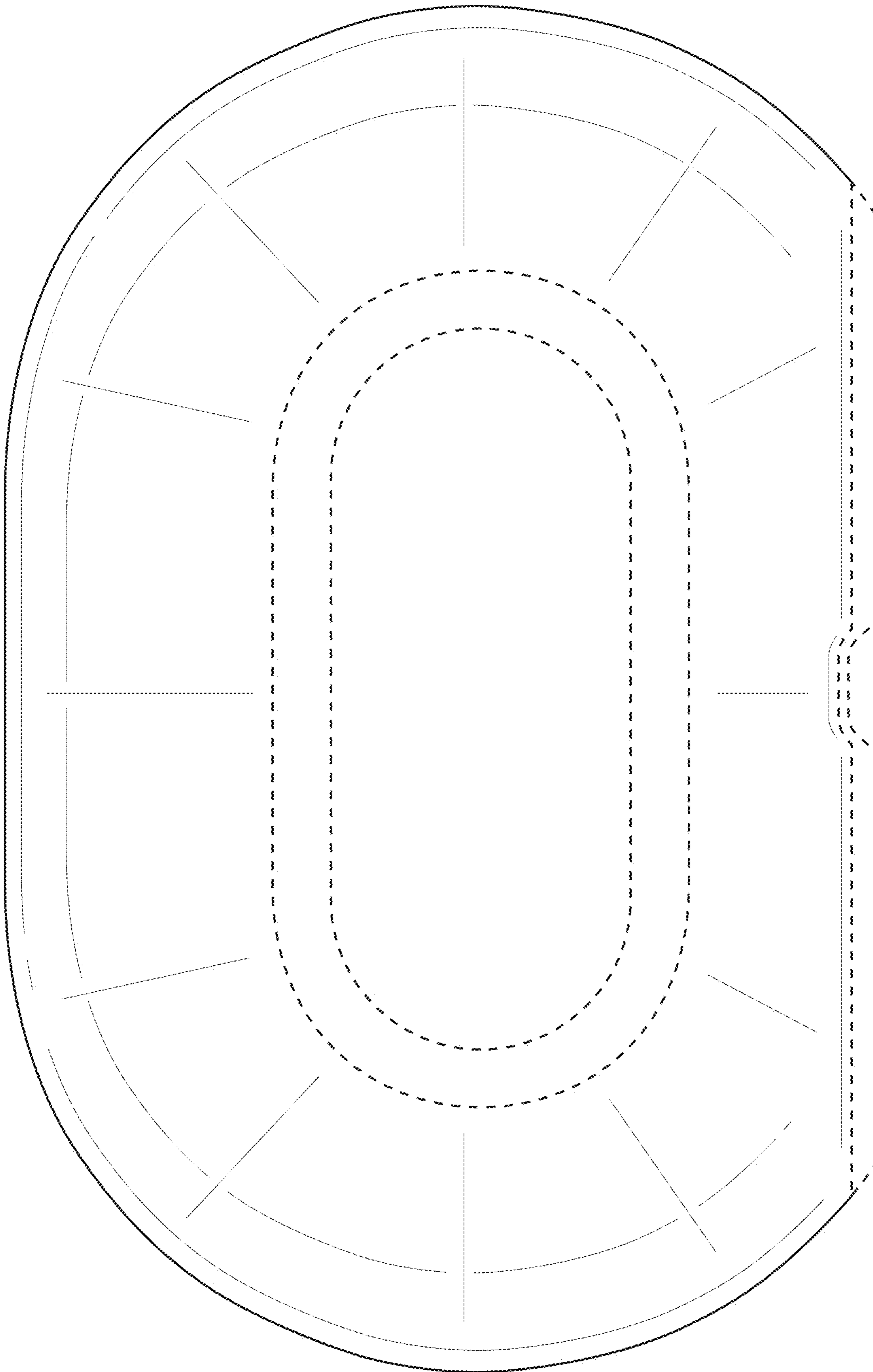


FIG. 3

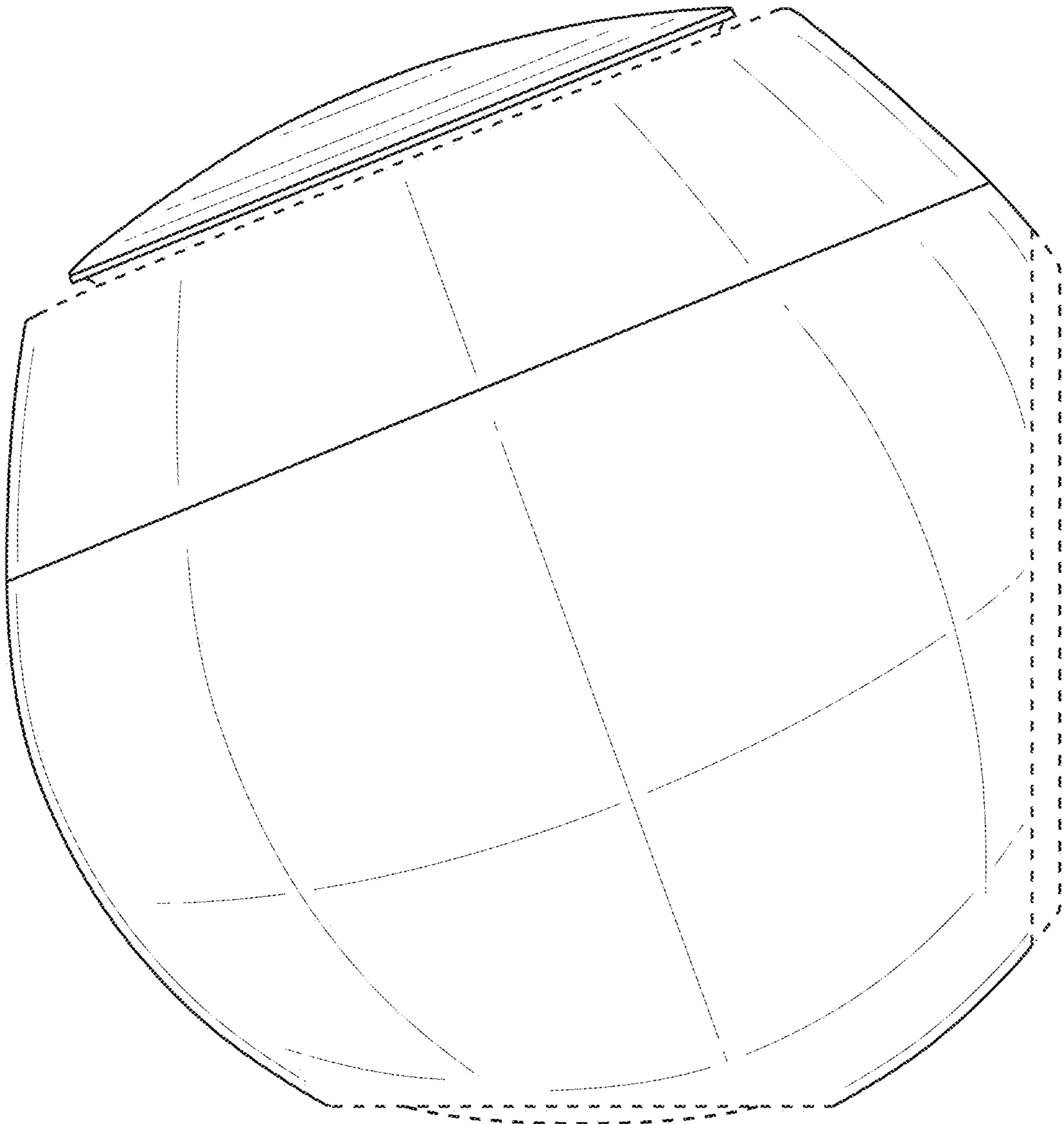


FIG. 4

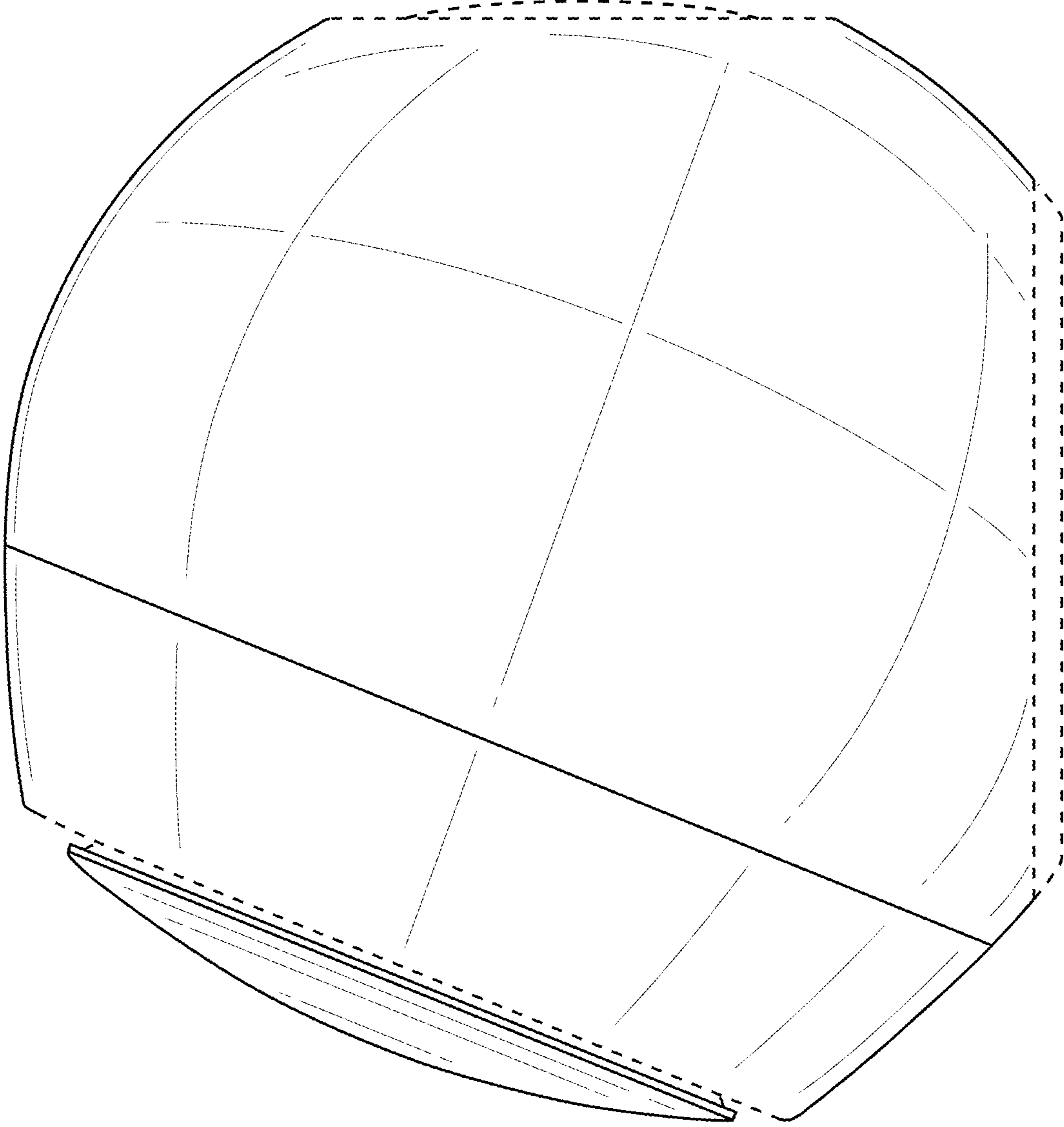


FIG. 5

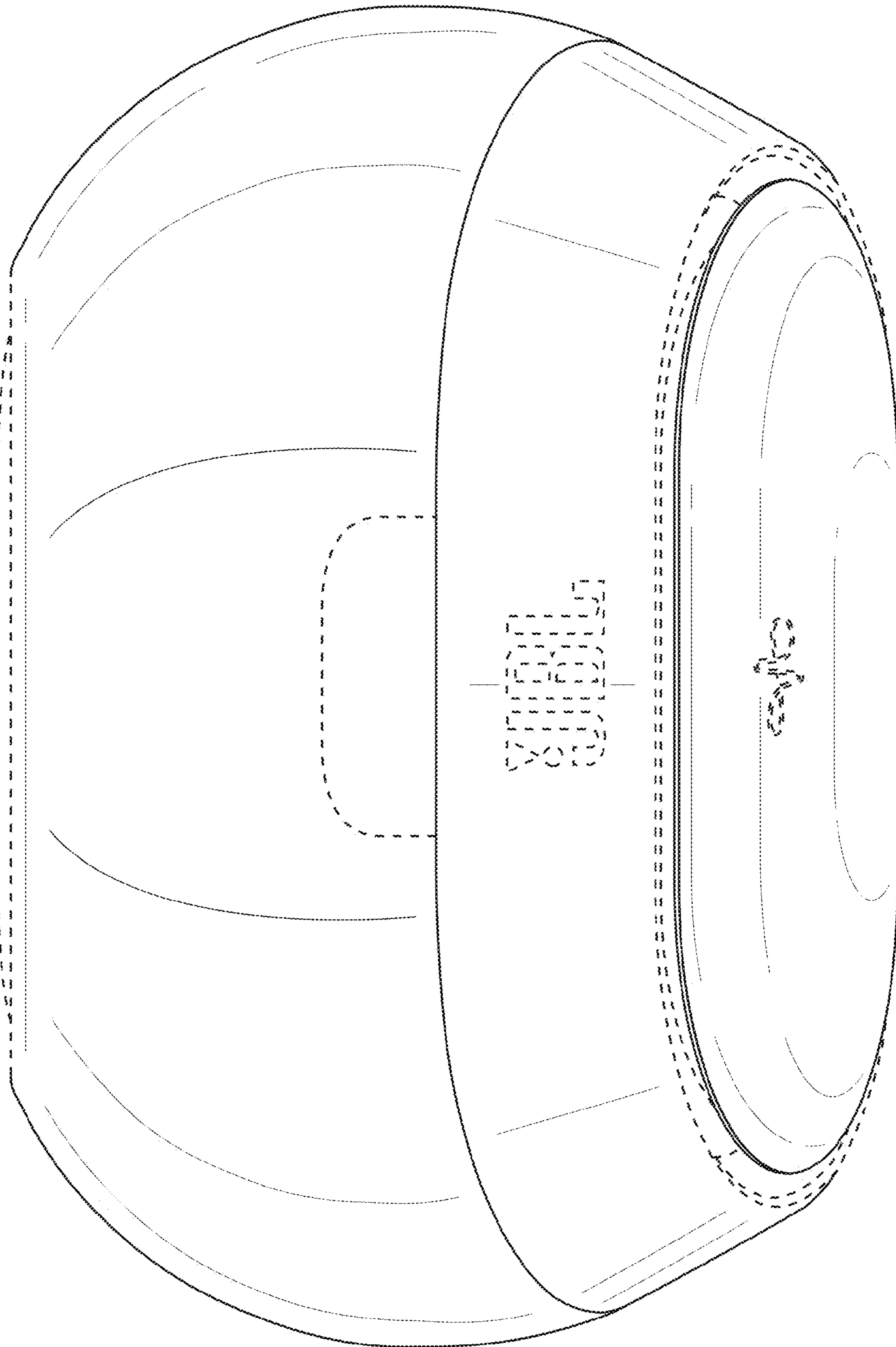


FIG. 6